

Table of Contents

Page	Title	Page	Title	Page	Title
01	TABLE OF CONTENTS	31	Power/Volume Button Debug <small>Ref MAD</small>	61	SSD POWER 1.1V & 06.V <small>Ref MAD</small>
02	Change History	32	Sensors <small>Ref MAD AND HOB</small>	62	+1.8VSB & Load SW
03	BLOCK DIAGRAM	33	Debug Conn	63	CHARGER
04	CLOCK DISTRIBUTION	34	SAM_1_PWR_ADC_Debug	64	+5V Load SW
05	SIGNAL & RESET MAP	35	SAM_2	65	+3P3V Load SW
06	POWER FLOW 1 of 3	36	X	66	VCCIN Coontroller
07	POWER FLOW 2 of 3	37	Level Shifters	67	VCCIN DRMOS
08	POWER FLOW 3 of 3	38	TPM	68	VCCINAUX Controller
09	I2C MAP	39	Temp Sensor	69	VCCINAUX DRMOS
10	CPU(1)_Disp,Type-C,MISC	40	REALTEK ALC3300-GRT CODEC	70	SL1 PWR/ BATT CONN.
11	CPU(2)_LPDDR	41	Headphone/Speaker Connector <small>Ref MAD</small>	71	SL1 SIGNALS
12	CPU(3)_ICL POWER1_DDR_VCCSTG	42	Audio Smart Amp	72	+3P3V_HPD/LCD backlight <small>Ref MAD</small>
13	CPU(4)_ICL_POWER2_VCCIN	43	SSD BGA Type <small>Ref MAD</small>	73	X
14	CPU(5)_GND	44	X	74	Blade Interface <small>Ref HBR</small>
15	CPU(6)_CFG_RESERVED	45	USB A 3.1 Port	75	X
16	LPDDR4x (1)_MEMORY DOWN	46	DP Dongle Control	76	Testpoints
17	LPDDR4x (2)_MEMORY DOWN	47	Microphone_rear <small>Ref MAD</small>	77	USB Type-C Port
18	SFF	48	REALTEK RTS5343-GR SDXC <small>Ref MAD</small>	78	X
19	X	49	Camera IR <small>Ref MAD</small>	79	USB Type-C PD
20	PCH(1)_SD,HDA,RTC, CLK	50	Wi-Fi_BT <small>New 1216 Type</small>	80	Mechanical Parts
21	PCH(2)_CLK,SMB,LPC, SPI	51	eDP connector <small>Ref MAD</small>	81	X
22	PCH(3)_SYS PWR CONTR	52	X	82	X
23	PCH(4)_CSI,eMMC,CNVi	53	Camera Rear <small>Ref MAD</small>		
24	PCH(5)_PCIE,USB	54	Camera Front <small>Ref MAD</small>		
25	PCH(6)_CPU,GPIO,MISC	55	VA and VCCRTC		
26	PCH(7)_POWER	56	+VCCSTG		
27	PCH(8)_VCCIN_AUX_Decoupling	57	Camera Power <small>Ref MAD</small>		
28	Power Monitor	58	Silego Controller		
29	Type-C Debug	59	+5VSB & +3P3VSB		
30	Touch Con & Key <small>Ref MAD</small>	60	+1P2V_DUAL&+0P6V_DDR_VDDQ		

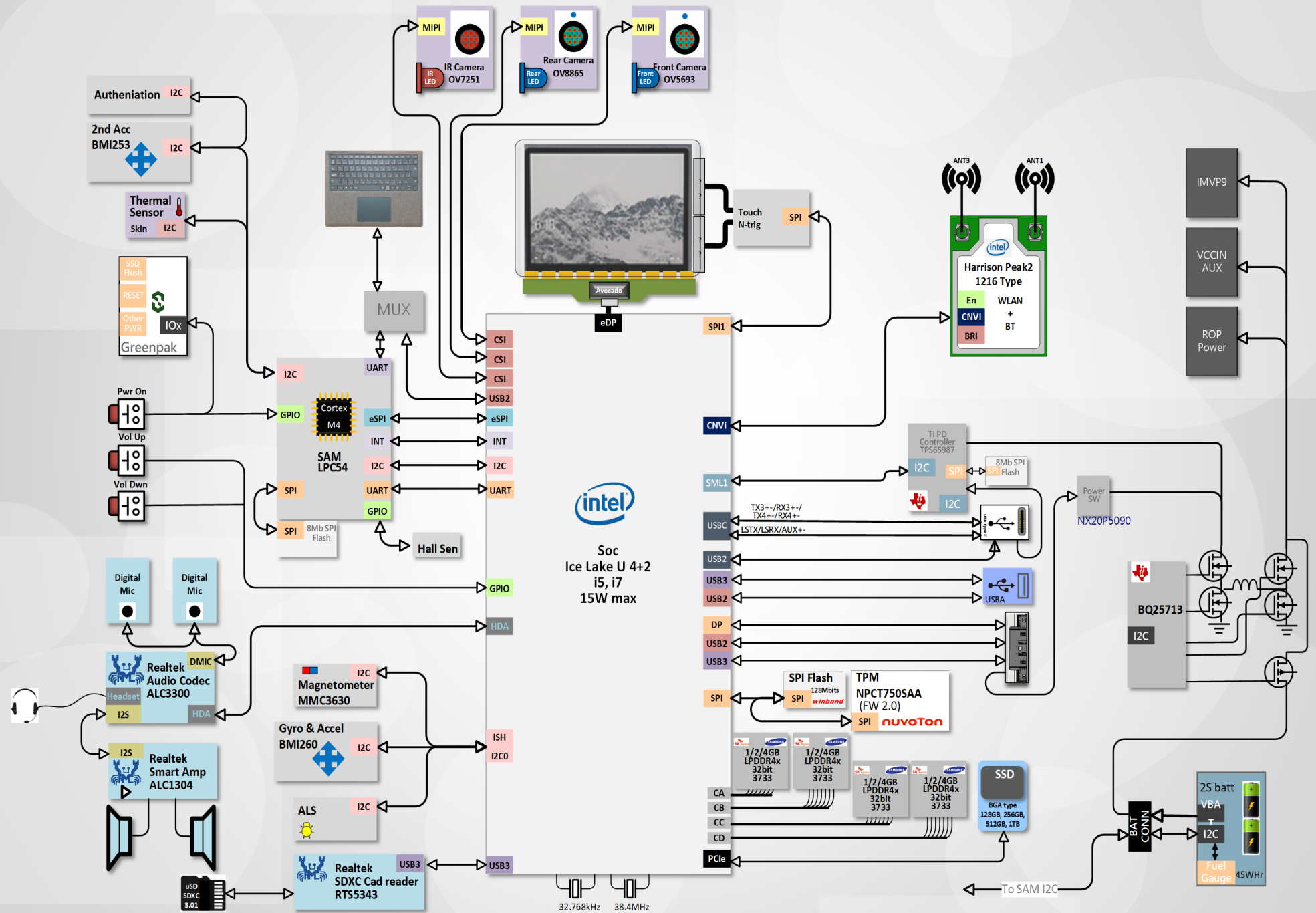
CAD Note:

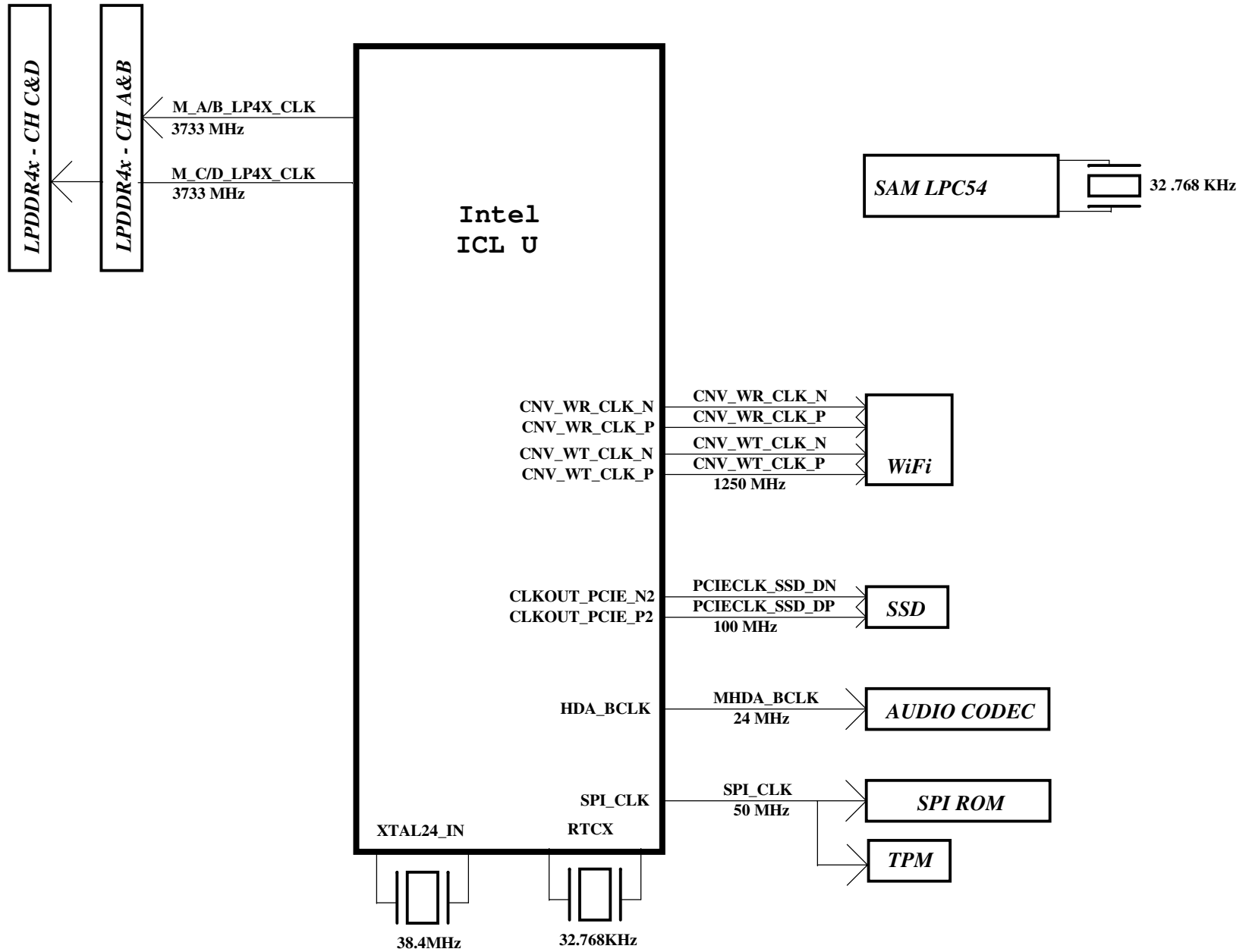
Property: BUILD-OPT
DNP = Do Not Place

DBG_S - Replace with board short for MP
 DBG_R - Replace with lower cost component for MP
 DBG_N - Install for Non-Debug Builds
 DBG_D - Remove from BOM (Depopulate) for MP
 DBG_T - Used for Telemetry in MP as needed
 DBG_TS - Used for Telemetry in MP as needed. This part needs to be replaced with a short if telemetry is not needed.

<Core Design>

Title: Table of Contents		
Engineer: <OrgAddr1>		
Size: A3	Project Name: B52	Rev: <RevCode>
Date: Friday, June 28, 2019	Sheet: 1	of 82



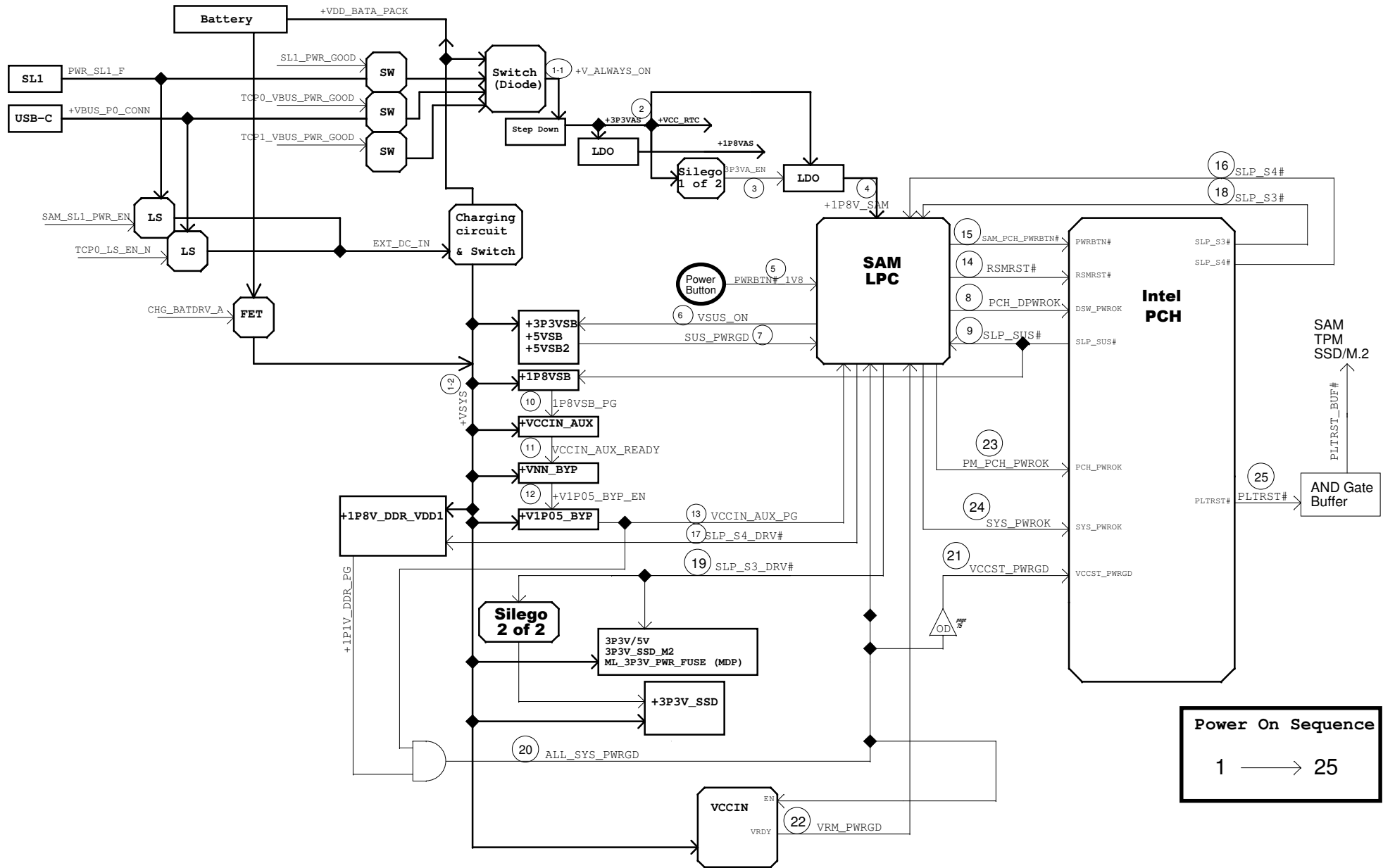


<Core Design>

Title: CLCOK DISTRIBUTION		
<OrgName>		Engineer: <OrgAddr1>
Size A3	Project Name B52	Rev 2.89.6
Date: Friday, June 28, 2019	Sheet 4	of 82

SIGNAL & RESET MAP

Last Update - Feb 13 2018



Power On Sequence
1 → 25