

Compal Confidential

AAP11/AAP21

Schematic Document

SKL-H paltform with Nvidia N16E-GS/GT/GX

Rev: 1.0(A00) PVT

@ : Nopop Component

EMI@ /@EMI@ : EMI pop/unpop part
ESD@ /@ESD@ : ESD pop/unpop part
RF@ /@RF@ : RF pop/unpop part

CONN@ : Connector Component

AOAC@ : Intel AOAC
DS3/NODS3: deepS3
TBT@: ThunderBolt
PD@: Power Delivery

DIS@ : Discrete Part

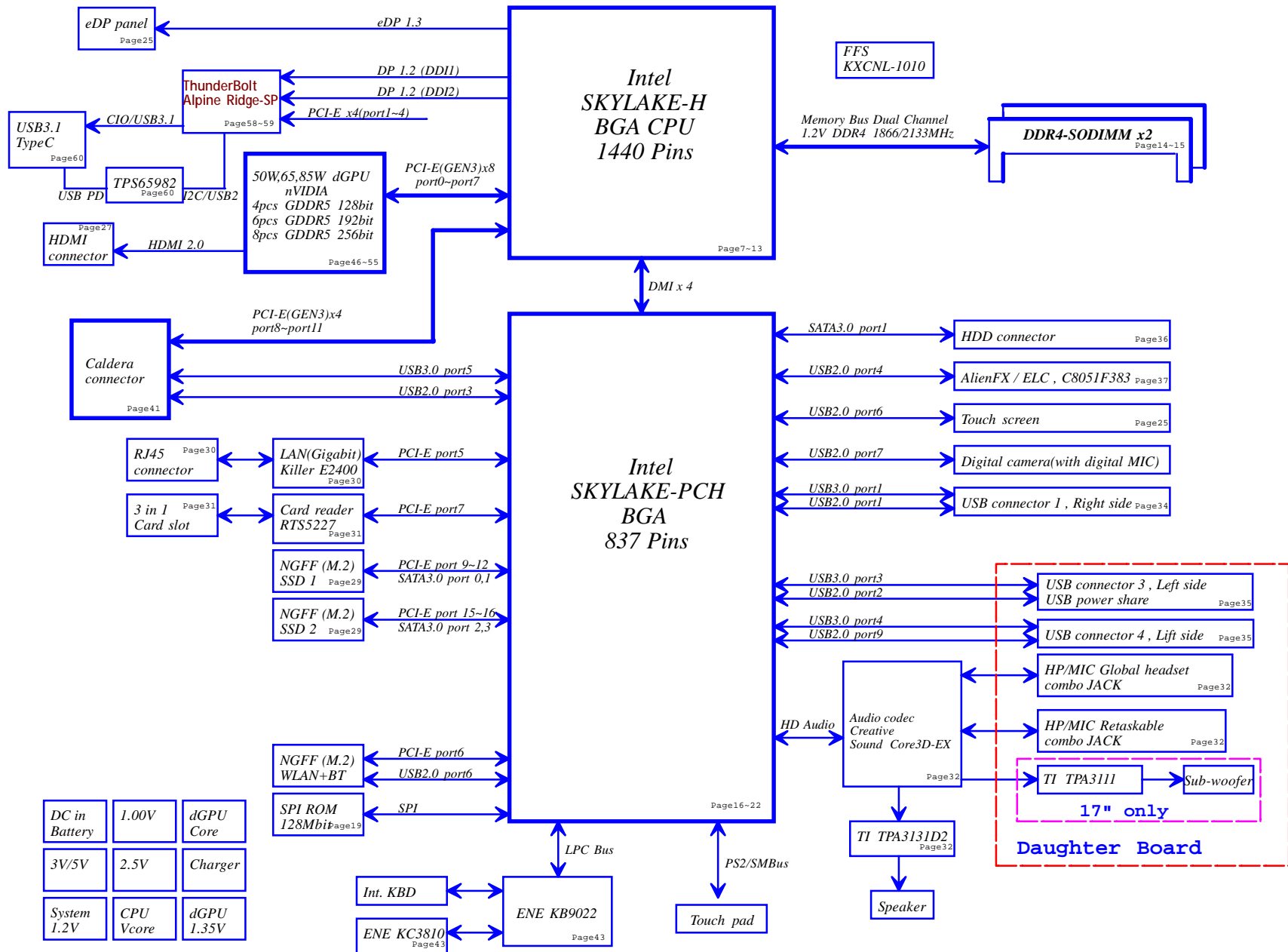
N16EGS@:N16E-GS(2G)
N16EGT@:N16E-GT(3G)
N16EGX@:N16E-GX(4G)
2G@:2G VRAM
3G@:3G VRAM
4G@:4G VRAM



12L

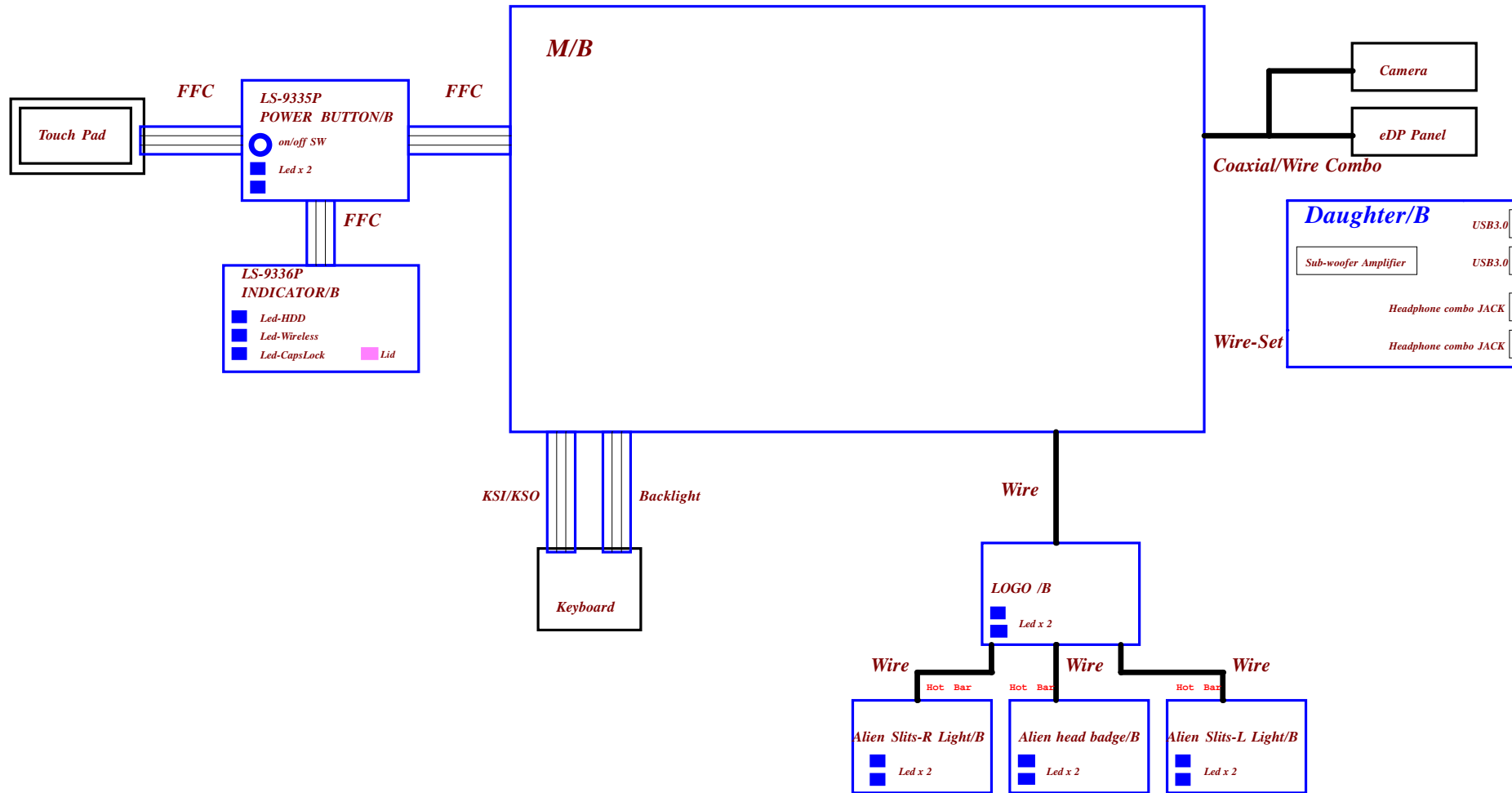
Security Classification		Compal Secret Data		Title	
Issued Date	2015/01/30	Deciphered Date	2016/12/31	Compal Electronics, Inc.	
<small>THIS SHEET OF ENGINEERING DRAWING IS THE PROPRIETARY PROPERTY OF COMPAL ELECTRONICS, INC. AND CONTAINS CONFIDENTIAL AND TRADE SECRET INFORMATION. THIS SHEET MAY NOT BE TRANSFERRED FROM THE CUSTODY OF THE COMPETENT DIVISION OF R&D DEPARTMENT EXCEPT AS AUTHORIZED BY COMPAL ELECTRONICS, INC. NEITHER THIS SHEET NOR THE INFORMATION IT CONTAINS MAY BE USED BY OR DISCLOSED TO ANY THIRD PARTY WITHOUT PRIOR WRITTEN CONSENT OF COMPAL ELECTRONICS, INC.</small>				Size	Document Number
				Custom	LA-C912P
Date: Wednesday, July 22, 2015				Sheet	1 of 78

SKL+NV Block Diagram



Security Classification	Compal Secret Data		Title	
Issued Date	2015/01/30	Deciphered Date	2016/12/31	Block diagram
<small>THIS SHEET OF ENGINEERING DRAWING IS THE PROPRIETARY PROPERTY OF COMPAL ELECTRONICS, INC. AND CONTAINS CONFIDENTIAL AND TRADE SECRET INFORMATION. THIS SHEET MAY NOT BE TRANSFERRED FROM THE CUSTODY OF THE COMPETENT DIVISION OF R&D DEPARTMENT EXCEPT AS AUTHORIZED BY COMPAL ELECTRONICS, INC. NEITHER THIS SHEET NOR THE INFORMATION IT CONTAINS MAY BE USED BY OR DISCLOSED TO ANY THIRD PARTY WITHOUT PRIOR WRITTEN CONSENT OF COMPAL ELECTRONICS, INC.</small>				Rev 0.1
Date: Wednesday, July 22, 2015				Sheet 2 of 78

Compal Confidential



Security Classification	Compal Secret Data		Compal Electronics, Inc.	
Issued Date	2015/01/30	Deciphered Date	2016/12/31	Title
<small>THIS SHEET OF ENGINEERING DRAWING IS THE PROPRIETARY PROPERTY OF COMPAL ELECTRONICS, INC. AND CONTAINS CONFIDENTIAL AND TRADE SECRET INFORMATION. THIS SHEET MAY NOT BE TRANSFERRED FROM THE CUSTODY OF THE COMPETENT DIVISION OF R&D DEPARTMENT EXCEPT AS AUTHORIZED BY COMPAL ELECTRONICS, INC. NEITHER THIS SHEET NOR THE INFORMATION IT CONTAINS MAY BE USED BY OR DISCLOSED TO ANY THIRD PARTY WITHOUT PRIOR WRITTEN CONSENT OF COMPAL ELECTRONICS, INC.</small>				Block Diagram
				Size
Date:	Wednesday, July 22, 2015	Sheet	3 of 78	

Board ID Table for AD channel

Vcc	3.3V +/- 1%					
Ra	100K +/- 1%					
Board ID	Rb	V _{AD_BID min}	V _{AD_BID typ}	V _{AD_BID max}	EC AD3	
0	0	0.000V	0.000V	0.300V	0x00 - 0x0B	NVIDIA Graphic
1	12K +/- 1%	0.347V	0.354V	0.360V	0x0C - 0x1C	
2	15K +/- 1%	0.423V	0.430V	0.438V	0x1D - 0x26	
3	20K +/- 1%	0.541V	0.550V	0.559V	0x27 - 0x30	
4	27K +/- 1%	0.691V	0.702V	0.713V	0x31 - 0x3B	
5	33K +/- 1%	0.807V	0.819V	0.831V	0x3C - 0x46	
6	43K +/- 1%	0.978V	0.992V	1.006V	0x47 - 0x54	
7	56K +/- 1%	1.169V	1.185V	1.200V	0x55 - 0x64	
8	75K +/- 1%	1.398V	1.414V	1.430V	0x65 - 0x76	
9	100K +/- 1%	1.634V	1.650V	1.667V	0x77 - 0x87	
10	130K +/- 1%	1.849V	1.865V	1.881V	0x88 - 0x96	AMD Graphic
11	160K +/- 1%	2.015V	2.031V	2.046V	0x97 - 0xA3	
12	200K +/- 1%	2.185V	2.200V	2.215V	0xA4 - 0xAD	
13	240K +/- 1%	2.316V	2.329V	2.343V	0xAE - 0xB7	
14	270K +/- 1%	2.395V	2.408V	2.421V	0xB8 - 0xC0	
15	330K +/- 1%	2.521V	2.533V	2.544V	0xC1 - 0xC9	
16	430K +/- 1%	2.667V	2.677V	2.687V	0xCA - 0xD3	
17	560K +/- 1%	2.791V	2.800V	2.808V	0xD4 - 0xDC	
18	750K +/- 1%	2.905V	2.912V	2.919V	0xDD - 0xE6	
19	NC	3.000V	3.300V	3.300V	0xE7 - 0xFF	

Board ID TABLE

ID		PCB Revision
NV	AMD	
0	10	EVT
1	11	DVT-1
2	12	DVT-1.1
3	13	DVT-2
4	14	DVT-3
5	15	Pilot build

TBT connector change to SMD type.

CLOCK SIGNAL	
CLKOUT_PCIE0	
CLKOUT_PCIE1	
CLKOUT_PCIE2	10/100/1000 LAN
CLKOUT_PCIE3	M.2 Card WLAN
CLKOUT_PCIE4	dGPU (N16)
CLKOUT_PCIE5	DGPU (Caldera)

Symbol Note :

 : means Digital Ground

 : means Analog Ground

USB3.0

Port1	Right side1
Port2	Right side2
Port3	Left side 1
Port4	
Port5	Caldera
Port6	Left side 2

USB2.0

Port0	Right side1
Port1	Left side 1 (PowerShare)
Port2	Caldera
Port3	ELC
Port4	BT
Port5	Touch screen
Port6	Camera
Port7 / 8	Right side 2 Left side 2

PCI EXPRESS

Lane 1	
Lane 2	
Lane 3	10/100/1000 LAN
Lane 4	M.2 Card WLAN
Lane 5	PCIE 4x MUX
Lane 6	

SATA

SATA0	HDD
SATA1	NGFF SSD
SATA2	NGFF SSD
SATA3	

BDW

Security Classification	Compal Secret Data			Title		
Issued Date	2015/01/30	Deciphered Date	2016/12/31	Compal Electronics, Inc.		
THIS SHEET OF ENGINEERING DRAWING IS THE PROPRIETARY PROPERTY OF COMPAL ELECTRONICS, INC. AND CONTAINS CONFIDENTIAL AND TRADE SECRET INFORMATION. THIS SHEET MAY NOT BE TRANSFERRED FROM THE CUSTODY OF THE COMPETENT DIVISION OF R&D DEPARTMENT EXCEPT AS AUTHORIZED BY COMPAL ELECTRONICS, INC. NEITHER THIS SHEET NOR THE INFORMATION IT CONTAINS MAY BE USED BY OR DISCLOSED TO ANY THIRD PARTY WITHOUT PRIOR WRITTEN CONSENT OF COMPAL ELECTRONICS, INC.				Notes list	Rev	0.1
				Size	Document Number	
				LA-C912P		
				Date	Wednesday, July 22, 2015	Sheet 4 of 78

