

THIS DRAWING AND SPECIFICATIONS, HEREIN, ARE THE PROPERTY OF INVENTEC CORPORATION AND SHALL NOT BE REPRODUCED, COPIED, OR USED IN WHOLE OR IN PART AS THE BASIS FOR THE MANUFACTURE OR SALE OF ITEMS WITHOUT WRITTEN PERMISSION, INVENTEC CORPORATION, 2017 ALL RIGHT RESERVED.

NOTES:
1.HSF Property:Comply iSupplier system HSF property attribute up-to-date value.

A10

SOVP BUILD

Vinafix.com

INVENTEC

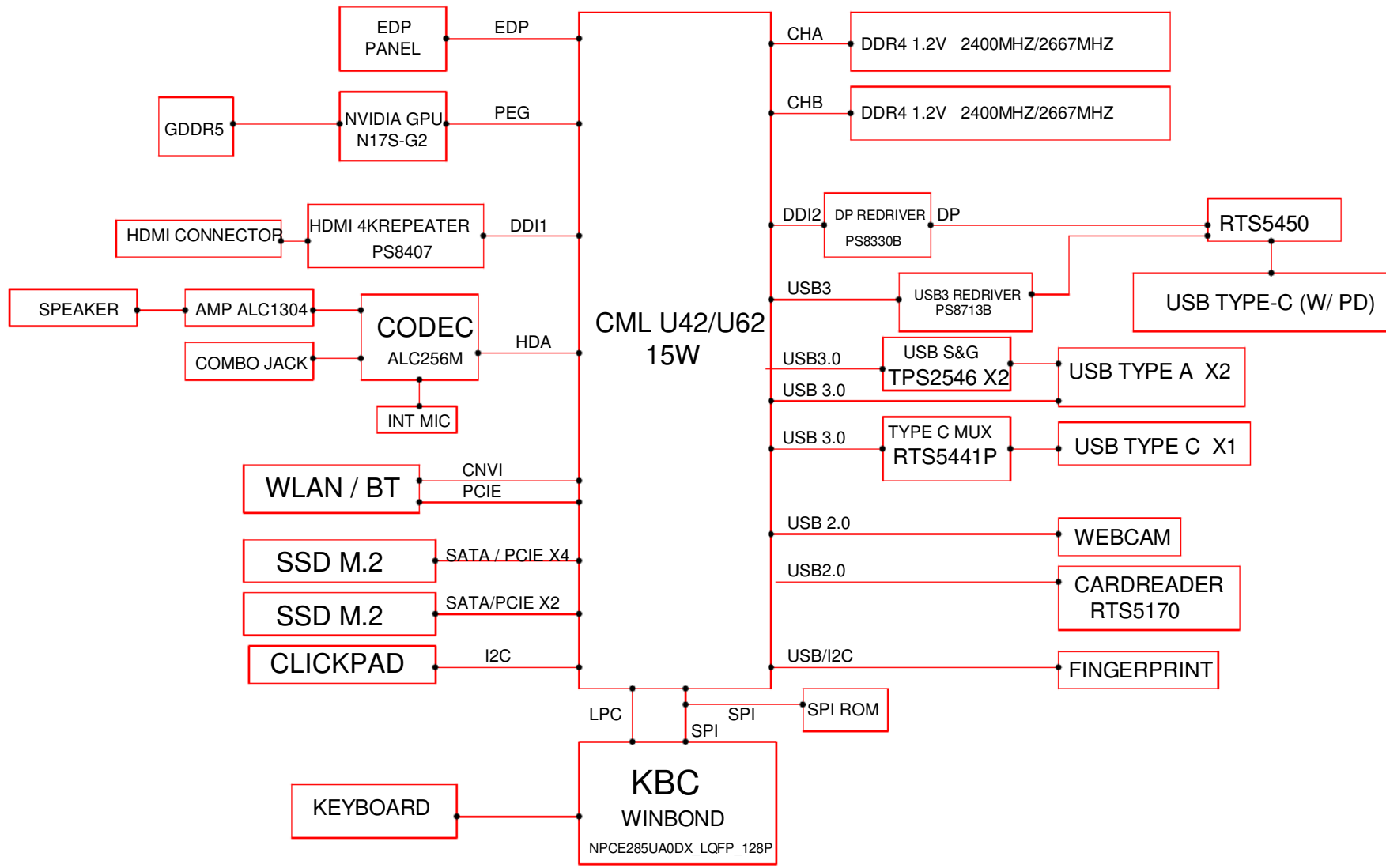
DATE	12-Apr-2019	CHANGING	A	REV

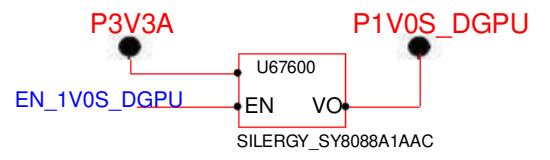
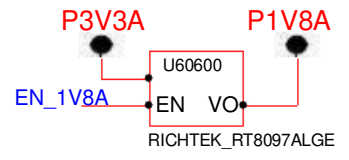
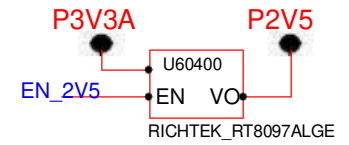
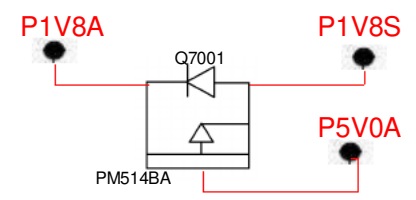
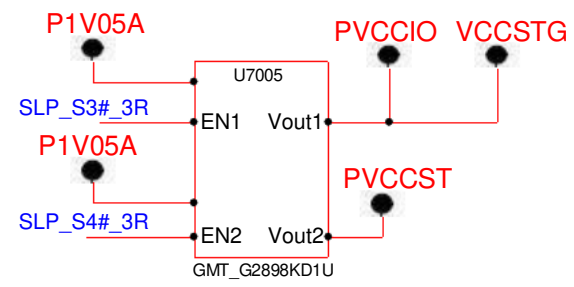
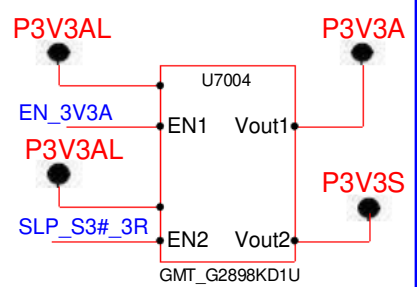
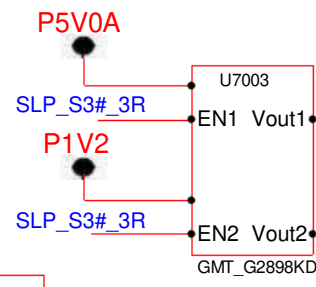
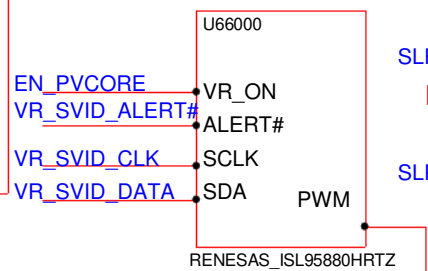
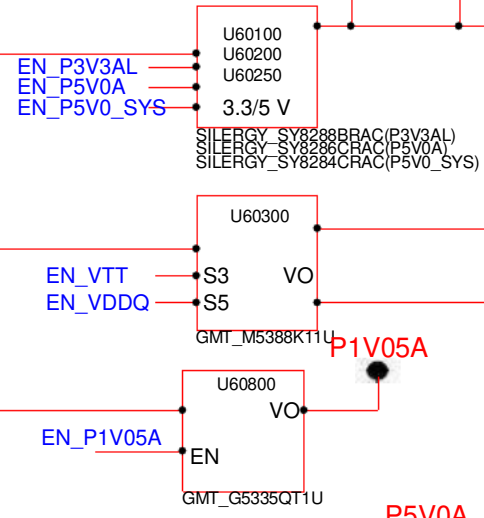
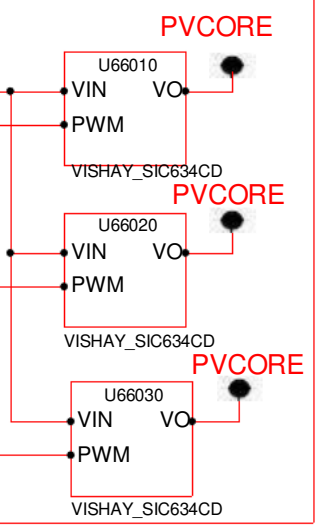
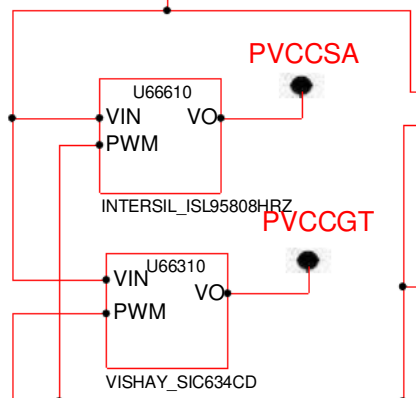
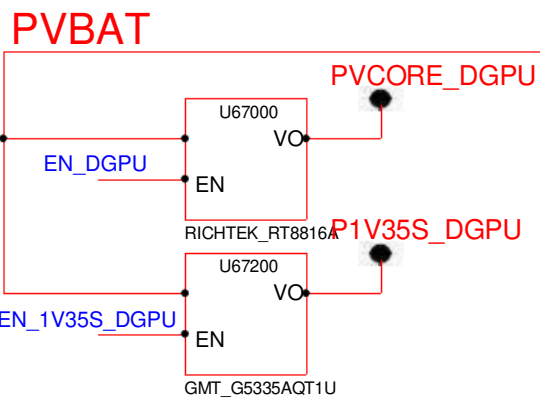
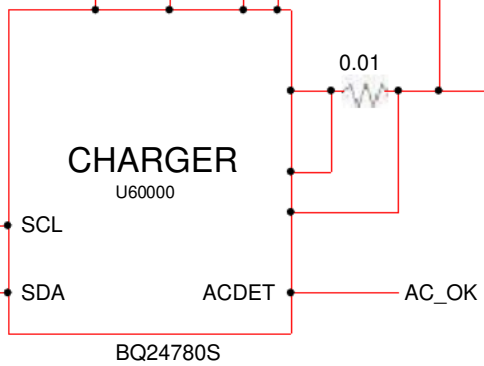
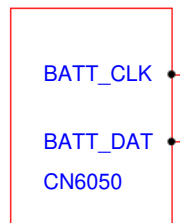
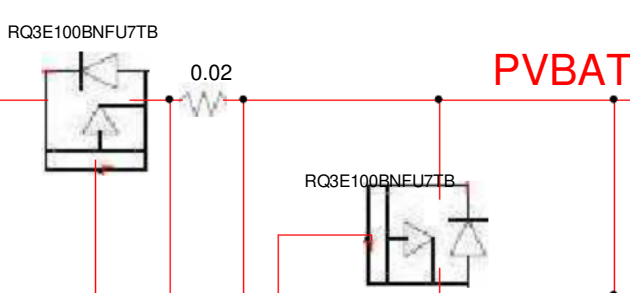
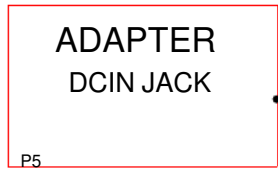
DESIGN / DRAWER	XXX	DATE	12-Apr-2019
CHECK	BRYAN CHIOU		
APPROVAL	TUCKY TSAI		
FILENAME	A10_TOPAZ_WS		
PCB PIN	60xxxxxxxxxx	PCB VER	X01

TITLE	A10		
SIZE	SCALE	DWG NUMBER	REV
A3	CS	1310xxxx-0-0	X01
SHEET		of 20	

Index

- 1 COVER
- 2 INDEX
- 3 BLOCK DIAGRAM
- 4 POWER PROCEDURE
- 5 CHARGER
- 6 P3V3AL_P5V0A
- 7 P5V0_SYS
- 8 DDR_POWER
- 9 P2V5
- 10 P1V8A
- 11 P1V05A
- 12 VCORE & GT & GA
- 13 VCORE
- 14 VCCGT
- 15 VCCSA
- 16 ENABLE PIN
- 17 SYSTEM POWER
- 18 PCB SCREW
- 19 DDR4-1
- 20 DDR4-2
- 21 DDR4-3
- 22 DDR4-4
- 23 CPU-DDR
- 24 CPU-LPC, SPI, SMBUS, CLINK
- 25 CPU-GPIO
- 26 CPU-MISC, HDA, SDIO, JTAG
- 27 CPU-PCIE, USB3, USB2
- 28 CPU-CLK, RTC, CFG
- 29 CPU-DDI, EDP, CSI2, EMMC
- 30 CPU-POWER MANAGEMENT
- 31 CPU-POWER1
- 32 CPU-POWER2
- 33 CPU-POWER3
- 34 CPU-GND, CFG, RSVD
- 35 EC_NPCE285
- 36 KB_CONN & LED
- 37 TOUCH_CONN/LID SWITCH
- 38 CODEC ALC256M
- 39 AUDIO JACK
- 40 AMP ALC1304
- 41 CARDREADER RTS5170
- 42 USB3.0_CONN1
- 43 USB3.0_CONN2
- 44 USB3_REDRIIVER
- 45 TYPE_C_RTS5441P
- 46 TYPE_C_CONN1
- 47 WLAN_ON_BOARD
- 48 NGFF_M.2_SSD1
- 49 NGFF M.2 SSD2
- 50 DP_REDRIIVER
- 51 USB3_REDRIIVER
- 52 TYPE_C_RTS5450
- 53 TYPE_C_CONN2
- 54 EDP_CN
- 55 CAMERA
- 56 FAN
- 57 HDMI_4K\2K
- 58 HDMI_CONN
- 59 GPU_COVER
- 60 GPU-1
- 61 GPU-2
- 62 GPU-3
- 63 GPU-4
- 64 GPU-5
- 65 GDDR5_VRAM
- 66 DGPU_RT8816A
- 67 DGPU_P1V35
- 68 DGPU_P1V0S
- 69 GPU_POWER_SEQUENCE
- 70 RF&EMI





INVENTEC

TITLE			
A10 POWER PROCEDURE			
SIZE	CODE	DOC NUMBER	REV
A3	CS	1310xxxx-0-0	X01
SHEET		of 4	70

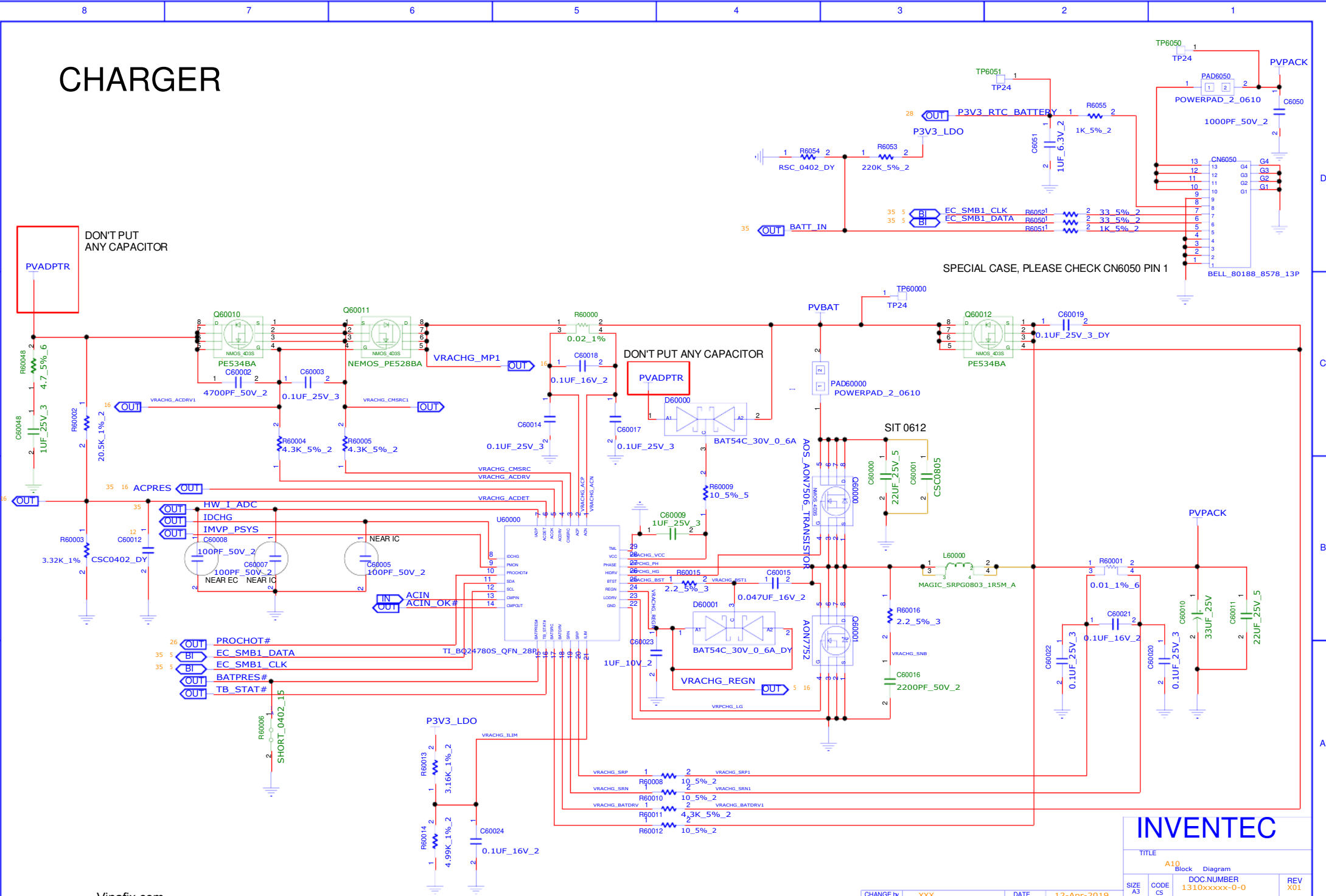
CHANGE by	XXX	DATE	
PCB P/N	66Gxxxxxxx	PCB VER	X12-Apr-2019

CHARGER

DON'T PUT ANY CAPACITOR
PVADPTR

DON'T PUT ANY CAPACITOR
PVADPTR

SPECIAL CASE, PLEASE CHECK CN6050 PIN 1



INVENTEC				
TITLE				
A10 Block Diagram				
SIZE A3	CODE CS	DOC NUMBER 1310xxxxx-0-0	REV X01	
CHANGE by PCB P/N		DATE PCB VER	SHEET 5 of 70	