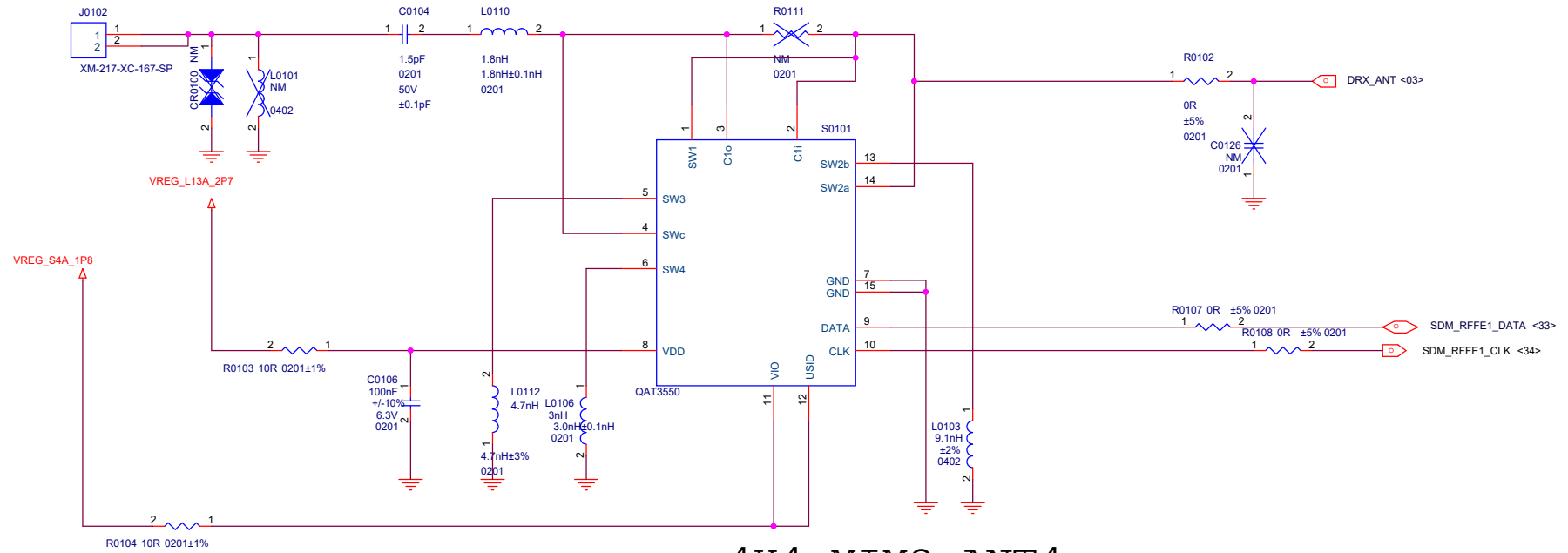
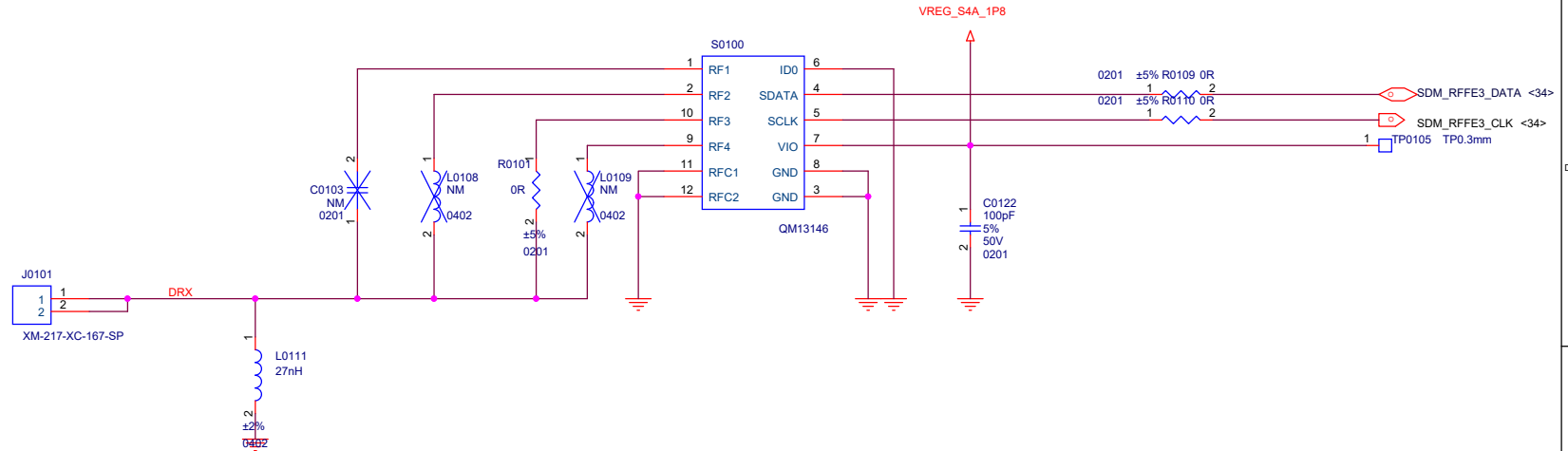
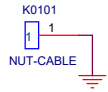
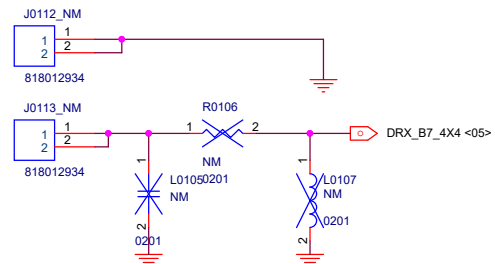
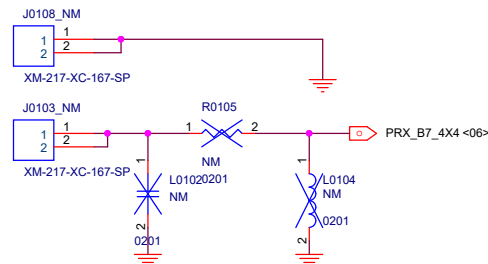


DRX_ANT

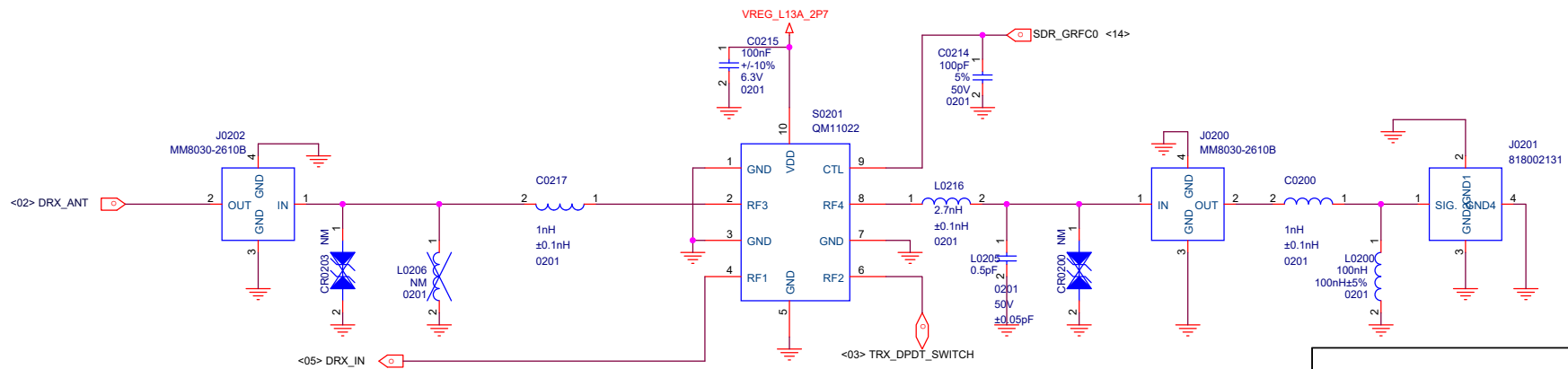
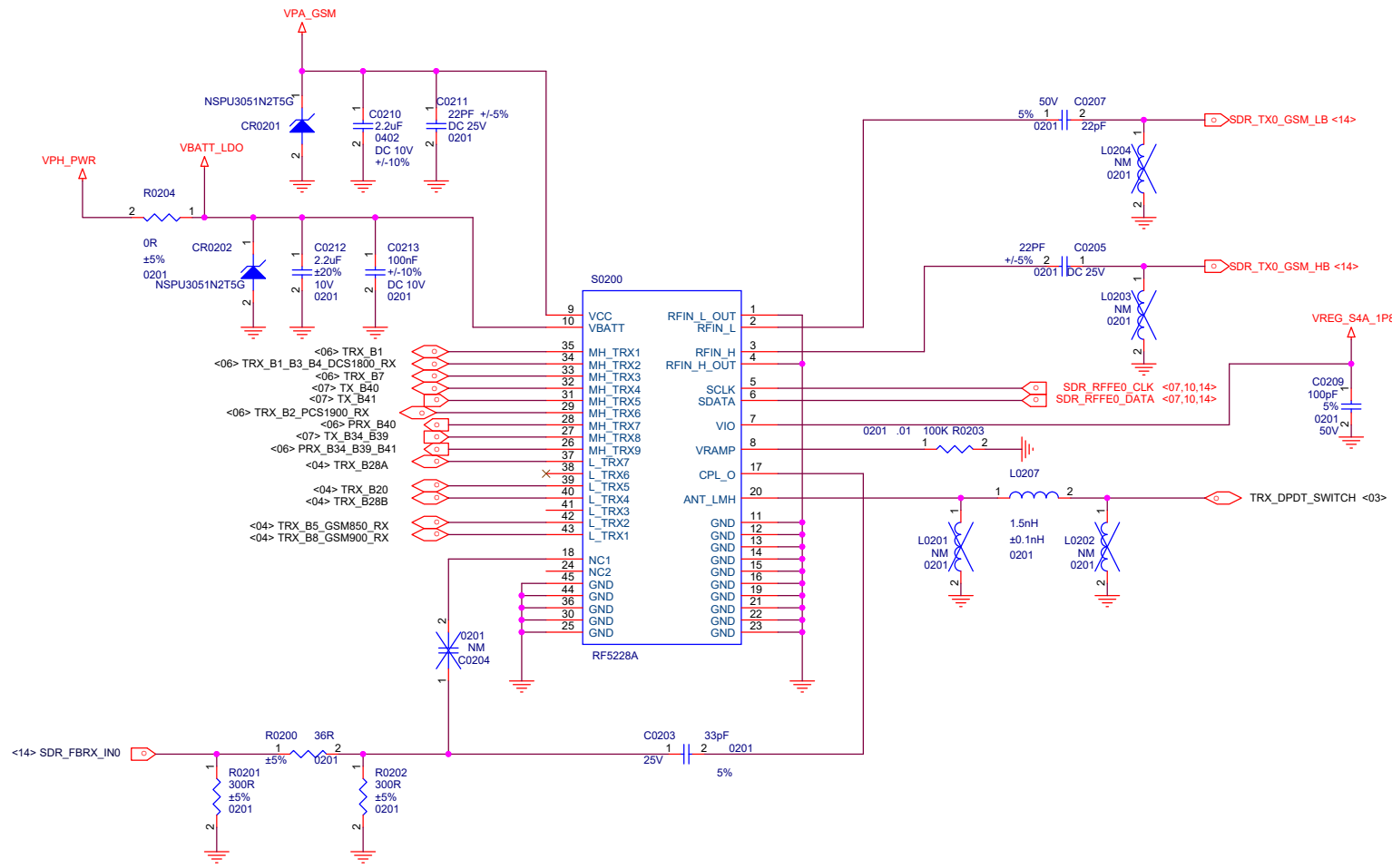


4X4_MIMO_ANT3

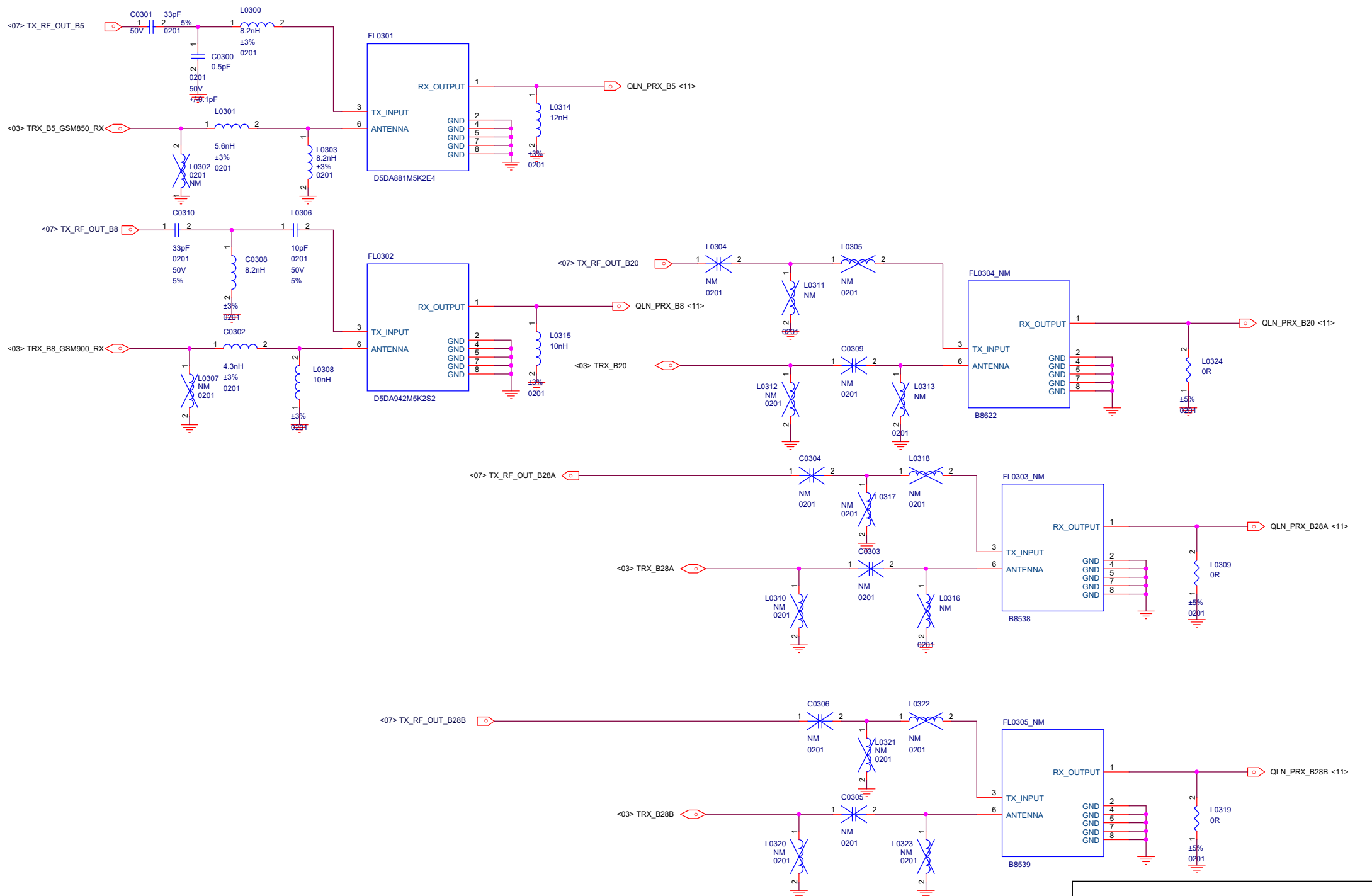
4X4_MIMO_ANT4



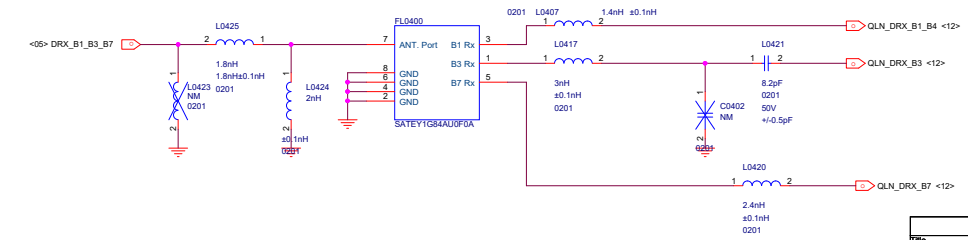
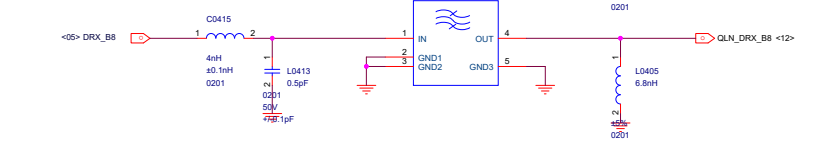
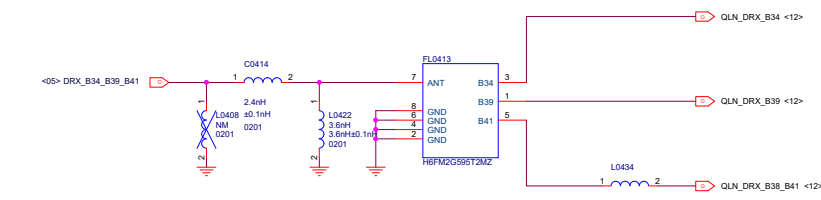
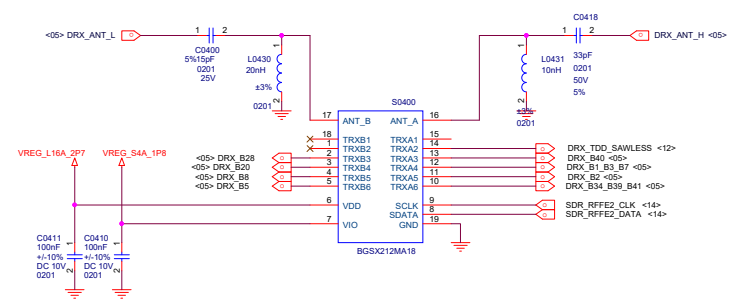
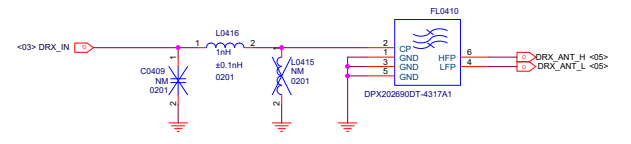
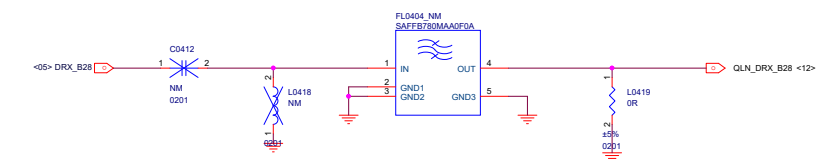
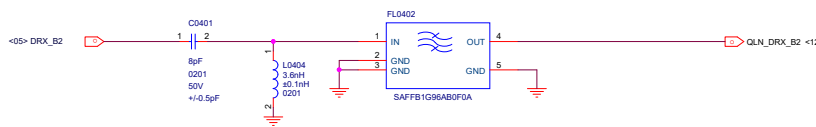
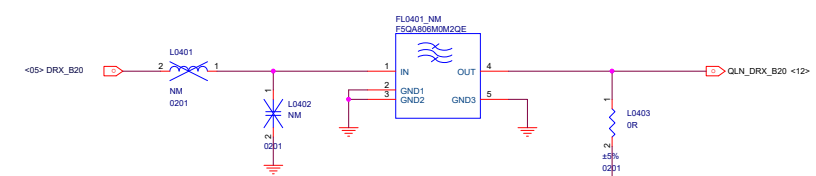
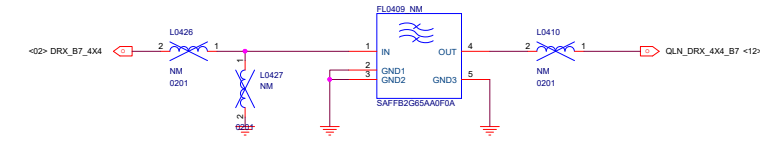
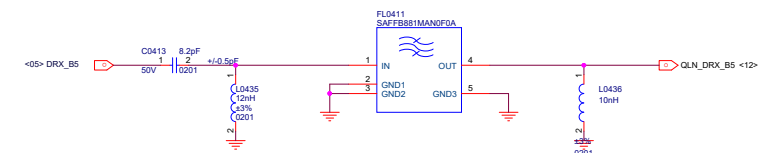
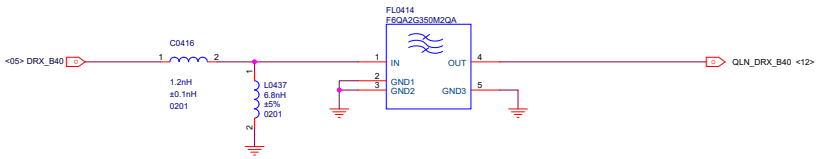
Title		
F1 MAIN		
Size	Document Number	Rev
A3	<Doc>	P0
Date:	Tuesday, April 02, 2019	Sheet 02 of 71



Title		
F1 MAIN		
Size	Document Number	Rev
A3	<Doc>	P0
Date:	Tuesday, April 02, 2019	Sheet 03 of 71

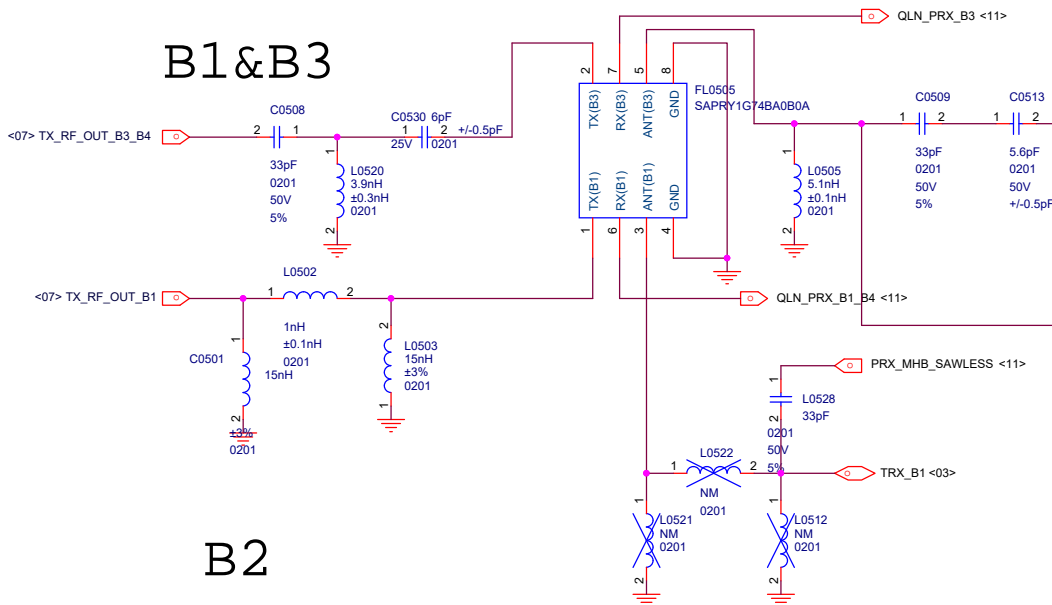


Title		F1 MAIN
Size	Document Number	<Doc>
A3	<Doc>	Rev P0
Date:	Tuesday, April 02, 2019	Sheet 04 of 71

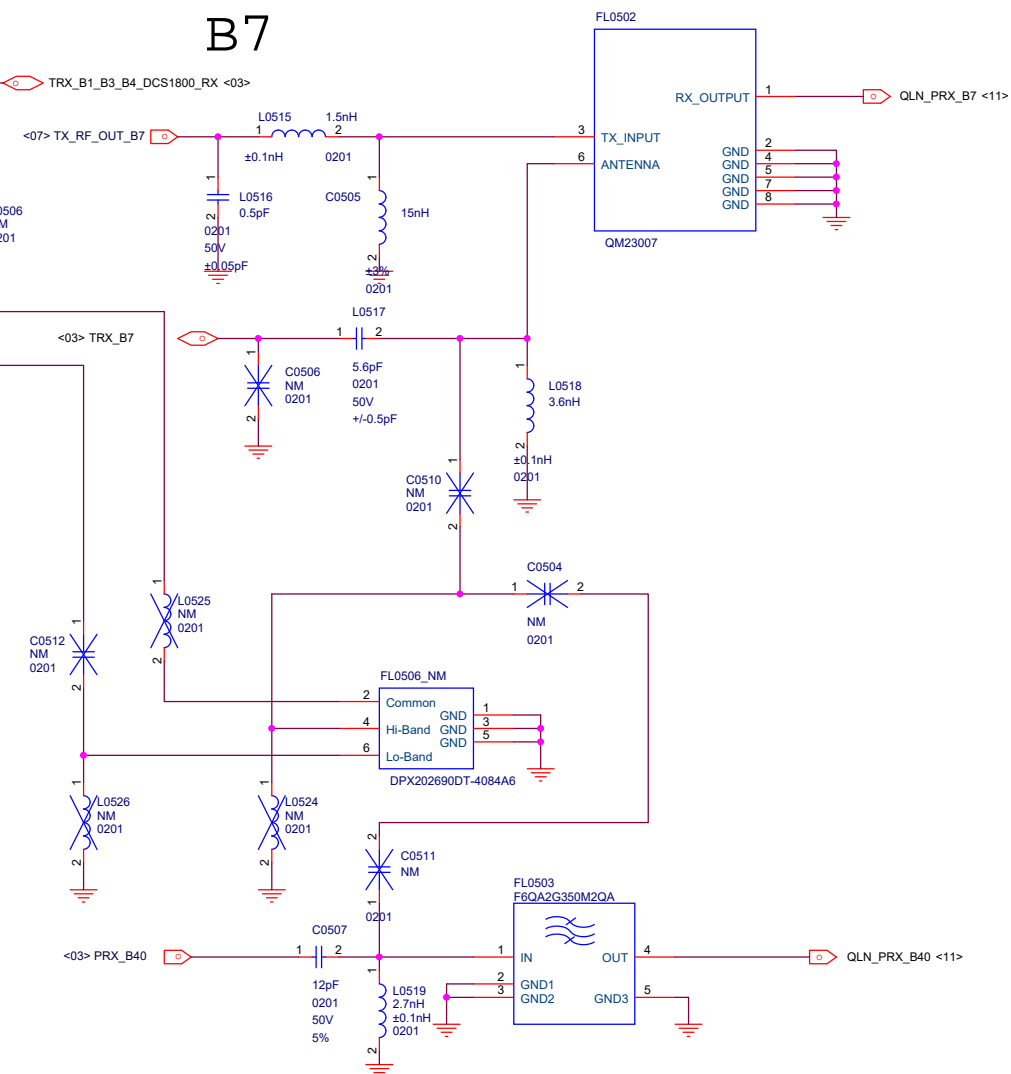


File F1 MAIN		
Size A2	Document Number <Doc>	Rev PD
Date: Tuesday, April 02, 2019	Sheet 05 of 71	

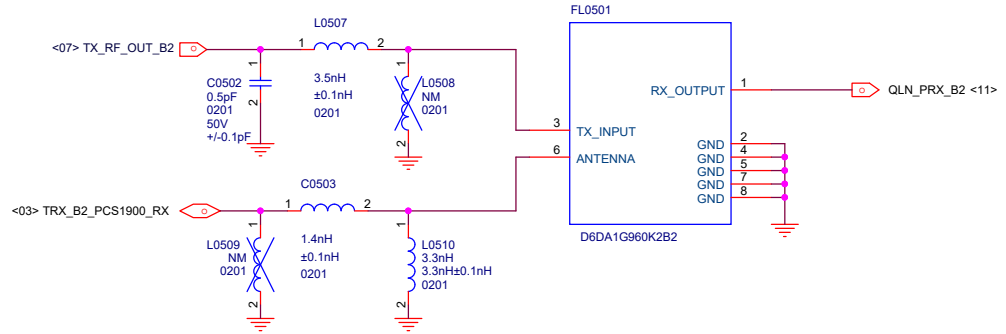
B1&B3



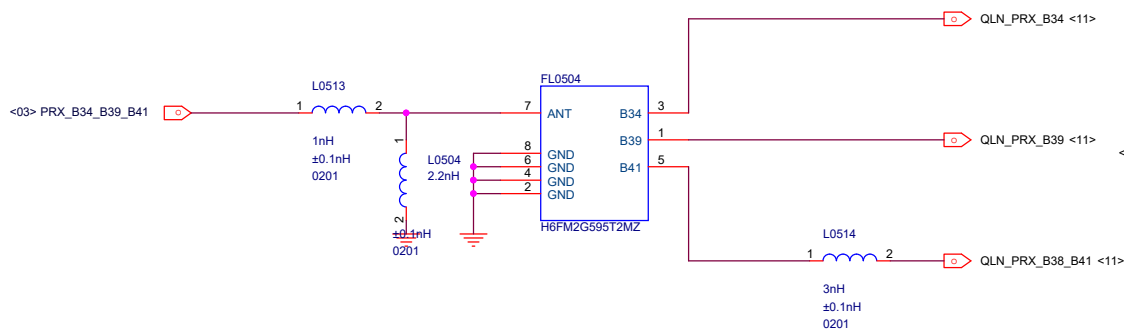
B7



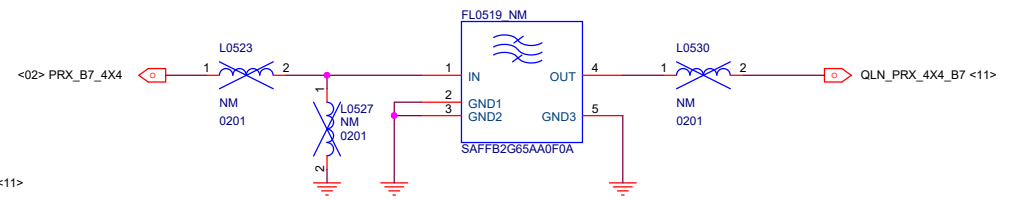
B2



PRX B34_B39_B41



PRX MIMO B7



Title			F1 MAIN
Size	Document Number		Rev
A3	<Doc>		P0
Date:	Tuesday, April 02, 2019	Sheet	06 of 71