

Baseband Schematic

1. Contents
2. RES
3. SOC PWR1
4. SOC PWR2
5. SOC PWR3
6. SOC HS Interface
7. SOC GPIO Interface
8. SOC RF Interface
9. SOC GND & NC
10. PMU LDO
11. PMU BUCK
12. PMU MISC & BUCKBOOST
13. HI6422
14. UFS and LPDDR4
15. Battery & Fuel gauge
16. Charge Management
17. LCD Interface
18. Flash /Front CAM
19. Main CAM
20. USB
21. Main FPC
22. Codec HI6403
23. Direct Charger
24. SMART PA
25. Audio
26. Headphone
27. X-Sensor
28. SIM Card/SD
29. LED /KEY/IR
30. Test Point/Shielding

MODEM Schematic

31. RF Interface
32. APT Power
33. RF Transceiver_0
34. RF FRONT END HB
35. RF FRONT END B42
36. RF FRONT END MB
37. RF Front End LB
38. RF Front End Switch /Main ANT
39. RF Front End Diversity
40. RF Front End Diversity
41. Reserved for CDMA Modem
42. Reserved for CDMA Modem
43. Reserved for CDMA Modem
44. Reserved for CDMA Modem
45. Reserved for CDMA Modem
46. Reserved for CDMA Modem
47. Reserved for CDMA Modem
48. Reserved for CDMA Modem
49. Reserved
50. Reserved
51. BCM43455 BB
52. BCM43455 POWER
53. Reserved
54. WALN RF0
55. WLAN RF1
56. GPS
57. NFC
58. RF Transceiver2
59. Reserved
60. ANT Tuner

The type and specification of the components refer to the BOM

				NA	20180808
				ECA NO	DATE
DESIGNED	XXXXX	NOTE10		HONOR NOTE10	
REVIEWED	XX				
		VER	PART_NUMBER	SHEET 1 Content 9	
		B	03024TWR	HUAWEI TECH CO.,LTD.	

2.RES

A

A

B

B

C

C

D

D

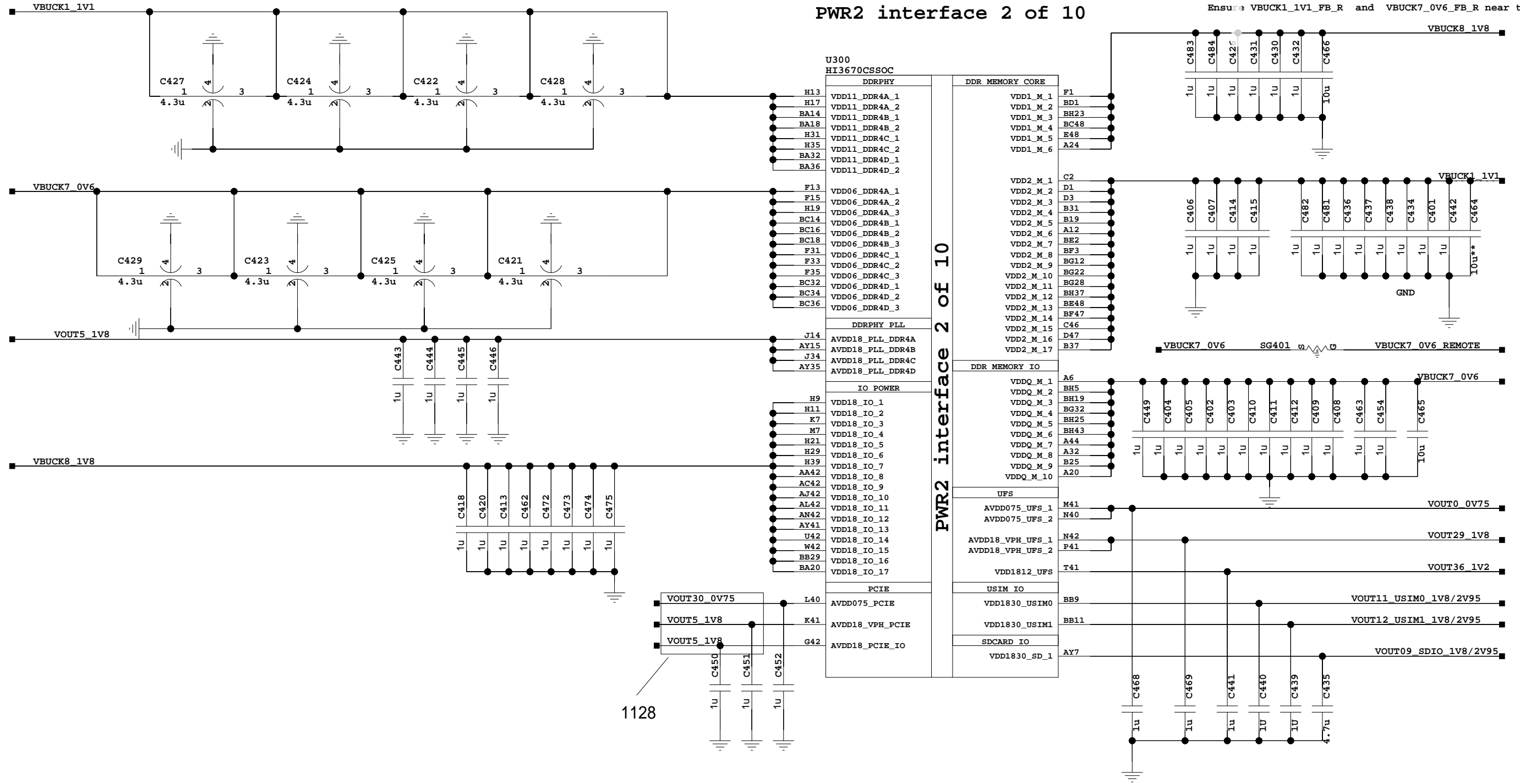
The type and specification of the components refer to the BOM

					06-12-2017_15:31
				NA	20180808
				ECA NO	DATE
DESIGNED	XXXXX	NOTE10		HONOR NOTE10	
REVIEWED	XX				
		VER	PART_NUMBER	SHEET 2 REOF 79	
		B	03024TWR	HUAWEI TECH CO.,LTD.	

4.SOC PWR2

PWR2 interface 2 of 10

Ensure VBUCK1_1V1_FB_R and VBUCK7_0V6_FB_R near the CAP



The type and specification of the components refer to the BOM

				NA	20180808
				ECA NO	DATE
DESIGNED	XXXXX	NOTE10	HONOR NOTE10		
REVIEWED	XX				
		VER	PART_NUMBER	SHEET 4 SOC PWR2 79	
		B	03024TWR	HUAWAI TECH CO.,LTD.	

