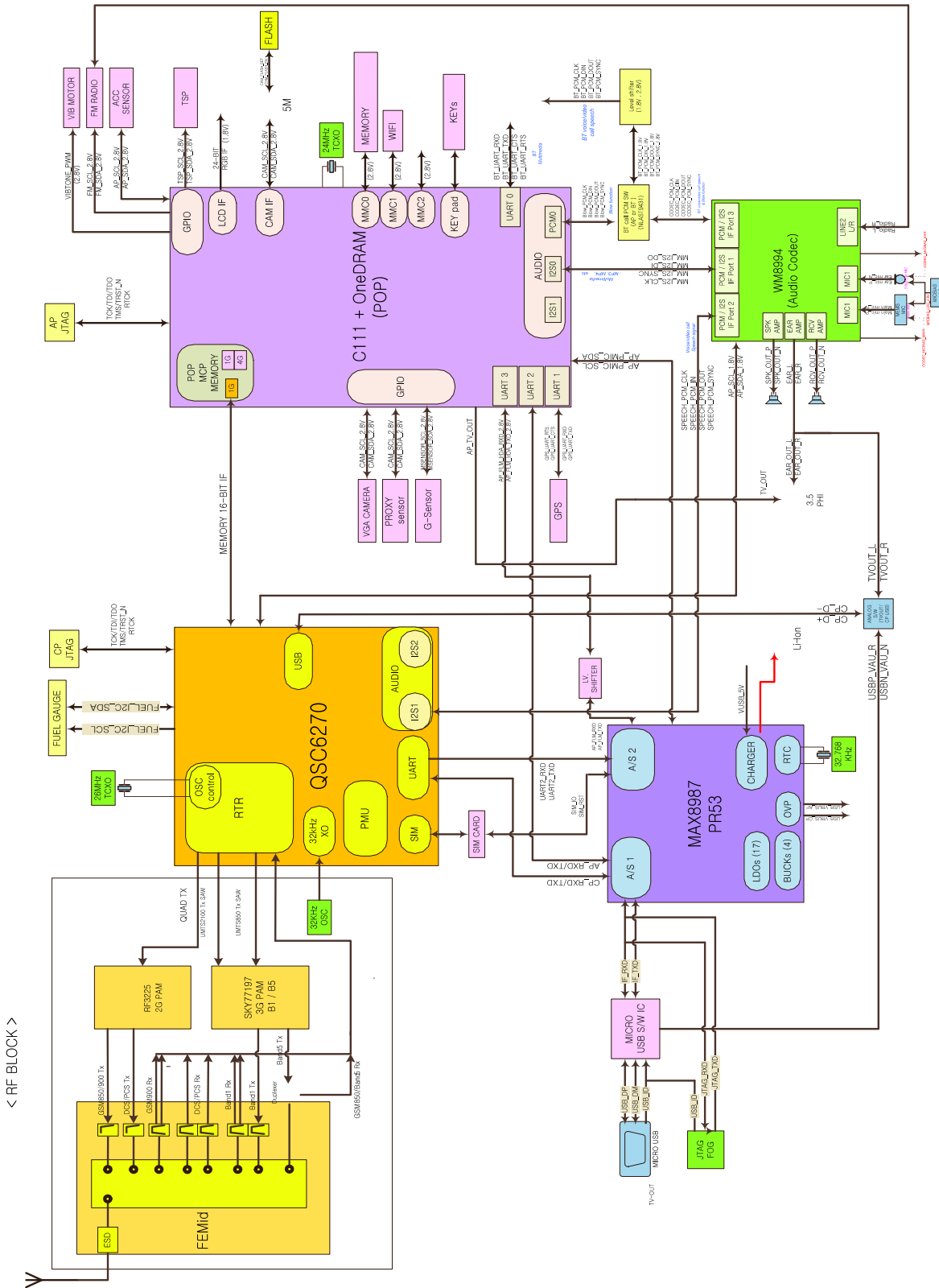


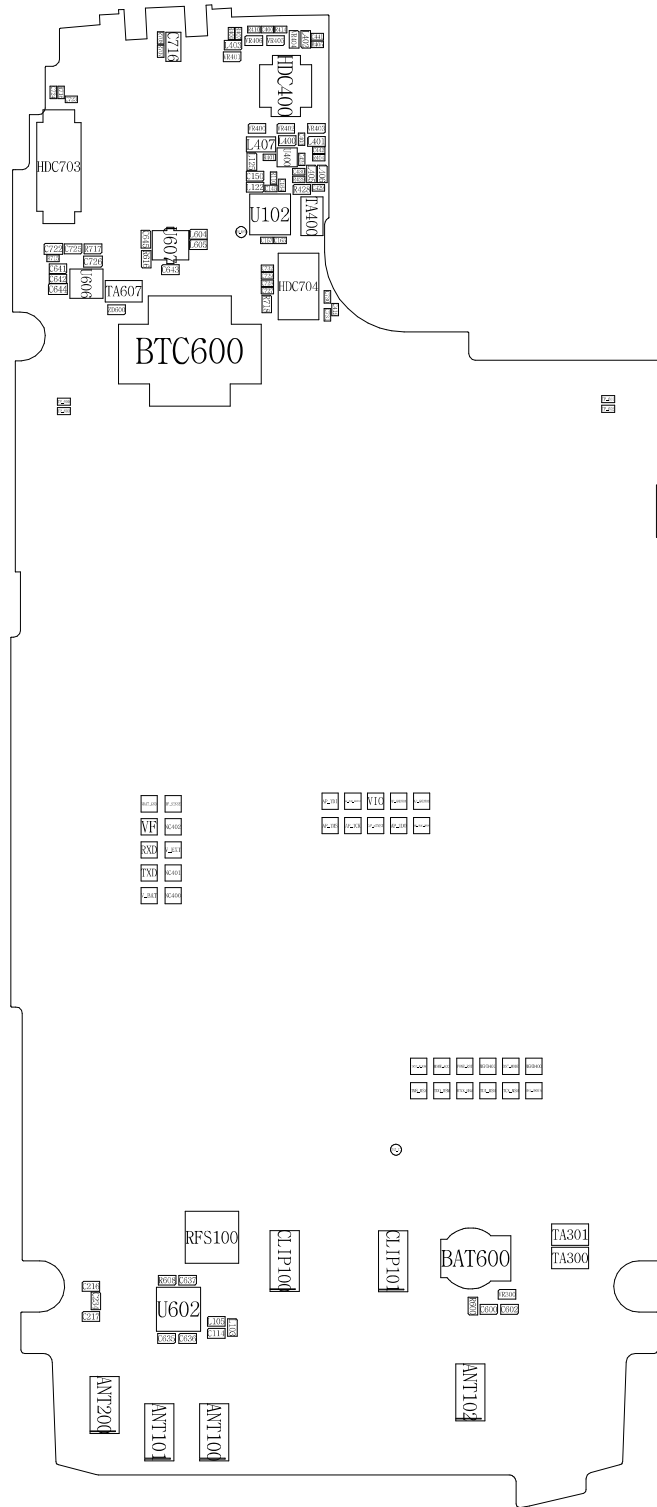
8. Level 3 Repair

8-1. Block Diagram

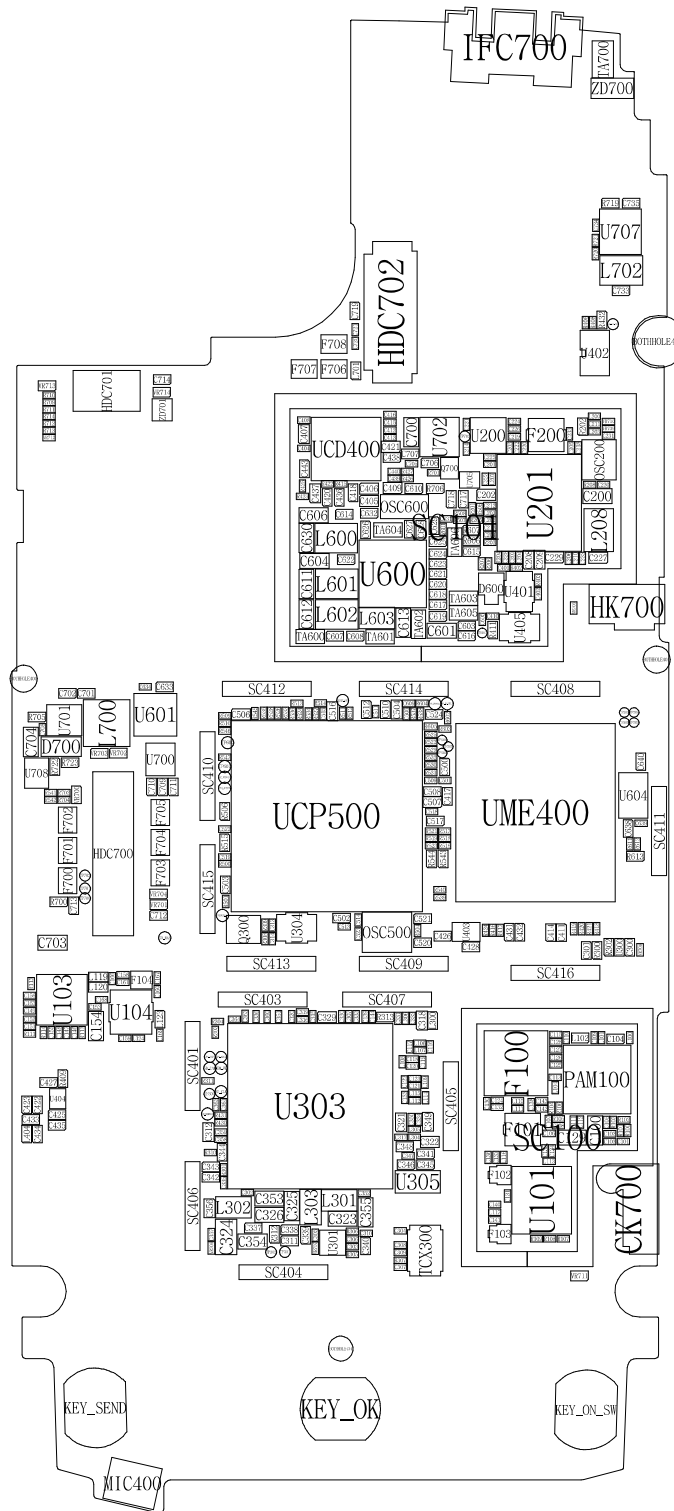


8-2. PCB Diagrams

8-2-1. Top

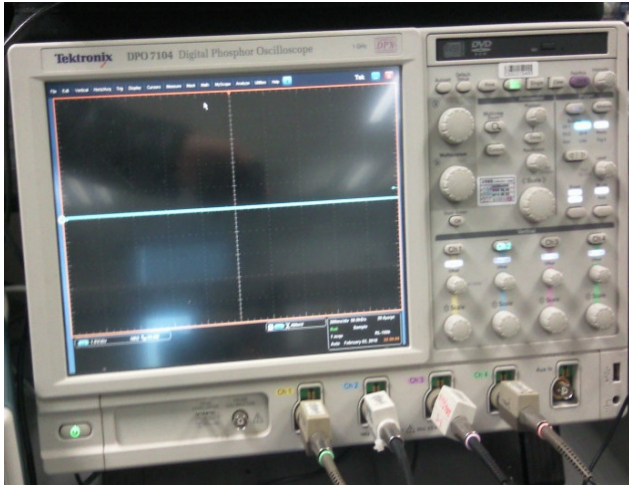


8-2-2. Bottom



8-3. Flow Chart of Troubleshooting

Equipment



↑ Oscilloscope



↑ Digital Multimeter



↑ Power Supply



↑ + driver, Tweezer

8-3-1. Power On

