

Baseband Schematic

1. Contents
2. Block Diagram
3. SOC PWR1
4. SOC PWR2
5. SOC PWR3
6. SOC HS Interface
7. SOC GPIO Interface
8. SOC RF Interface
9. SOC GND & NC
10. Hi6421 LDO
11. Hi6421 BUCK
12. Hi6421 DIGITAL INTERFACE
13. HI6422-2
14. UFS and LPDDR4X
15. Battery & Fuel gauge
16. Charge Management
17. TFT LCD Interface
18. Direct Charge LoadSwitch
19. Flash LED
20. Camera Interface
21. ISP Reserved
22. Codec HI6403
23. MIC/VIB
24. Headphone
25. Audio
26. X-Sensor1
27. X-Sensor2
28. SIM Card
29. FPC Interface
30. Test Point/Shielding

MODEM Schematic

31. RF Interface
32. RF PMU
33. RF Transceiver_HI6363 _01
34. PRX LNA-6H01
35. SKY78188-11_MHB
36. LB Module
37. Reserved
38. RF Front End Switch
39. DRX LNA Module
40. DRX LB
41. DRX_MHB
42. Reserved
43. MIMO_DRX
44. MIMO_PRX
45. RF Transceiver_HI6363 _02
46. Reserved
47. Reserved
48. Reserved
49. Reserved
50. Reserved
51. Hi1103 BB
52. Hi1103 PWR
53. Reserved
54. WIFI RF0
55. WIFI RF1
56. GPS
57. NFC
58. UP ANT: ANT4/5/6 GPS/WIFI ANT
59. UP ANT: ANT1/2/3/7
60. ANT Tuner

The type and specification of the components refer to the BOM

				NA	2018-11-01
				ECA NO	DATE
DESIGNED	HUAWEI	MATE20 PORSCHEDESIGN		PorscheDesign	
REVIEWED	HUAWEI	VER	PART_NUMBER	SHEET 1 Content#0	
		B	03088GSJ	HUAWEI TECH CO.,LTD.	

2. Block Diagram

A

A

B

B

C

C

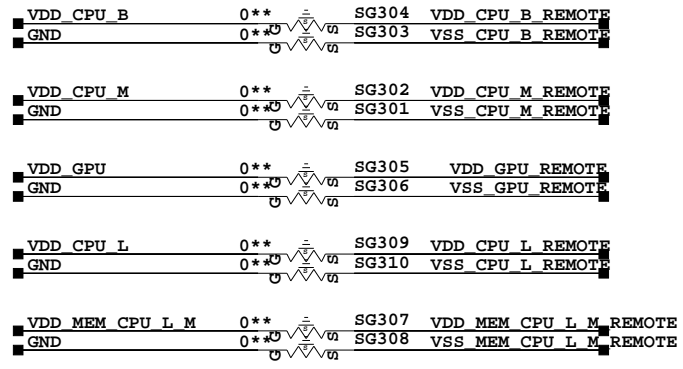
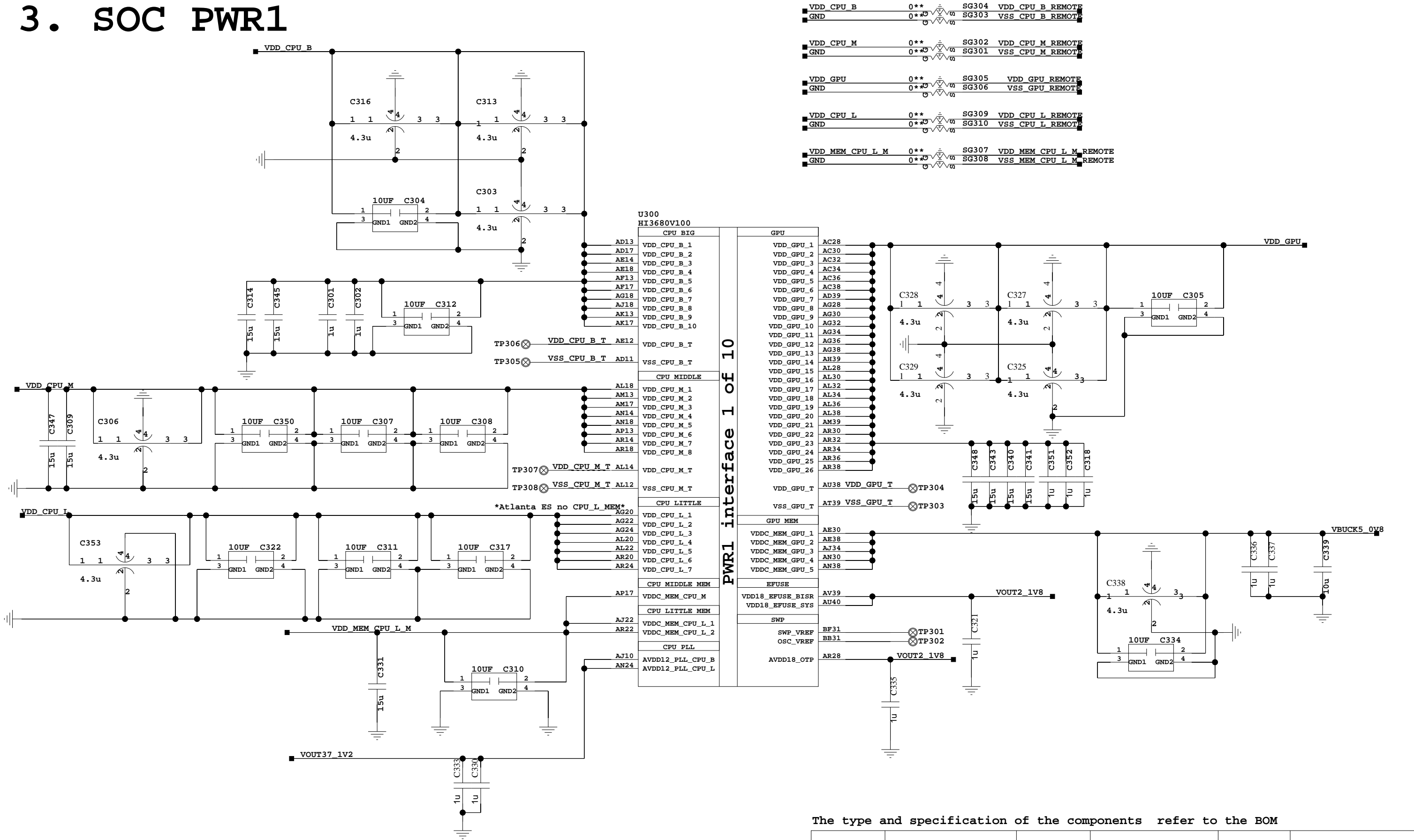
D

D

The type and specification of the components refer to the BOM

				NA	2018-11-01
				ECA NO	DATE
DESIGNED	HUAWEI			MATE20 PORSCHEDESIGN PorscheDesign	
REVIEWED	HUAWEI			SHEET 2 Block Diagram	
		VER	PART_NUMBER	HUAWEI TECH CO.,LTD.	
		B	03088GSJ		

3. SOC PWR1

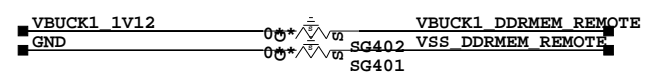


PWR1 interface 1 of 10

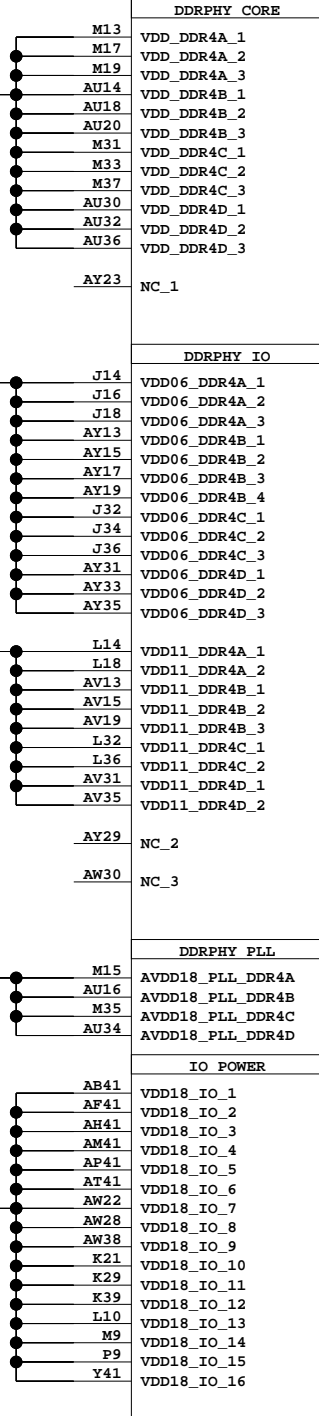
The type and specification of the components refer to the BOM

DESIGNED	HUAWEI	VER	PART_NUMBER	SHEET	3	SOOPWR1
REVIEWED	HUAWEI	B	03088GSJ	HUAWEI TECH CO.,LTD.		
				NA	2018-11-01	
				ECA NO	DATE	
				MATE20 PORSCHEDESIGN PorscheDesign		

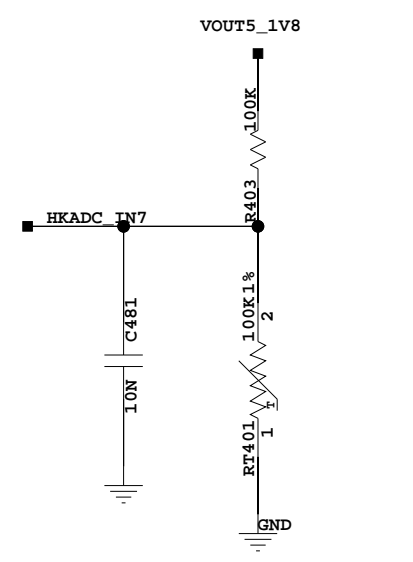
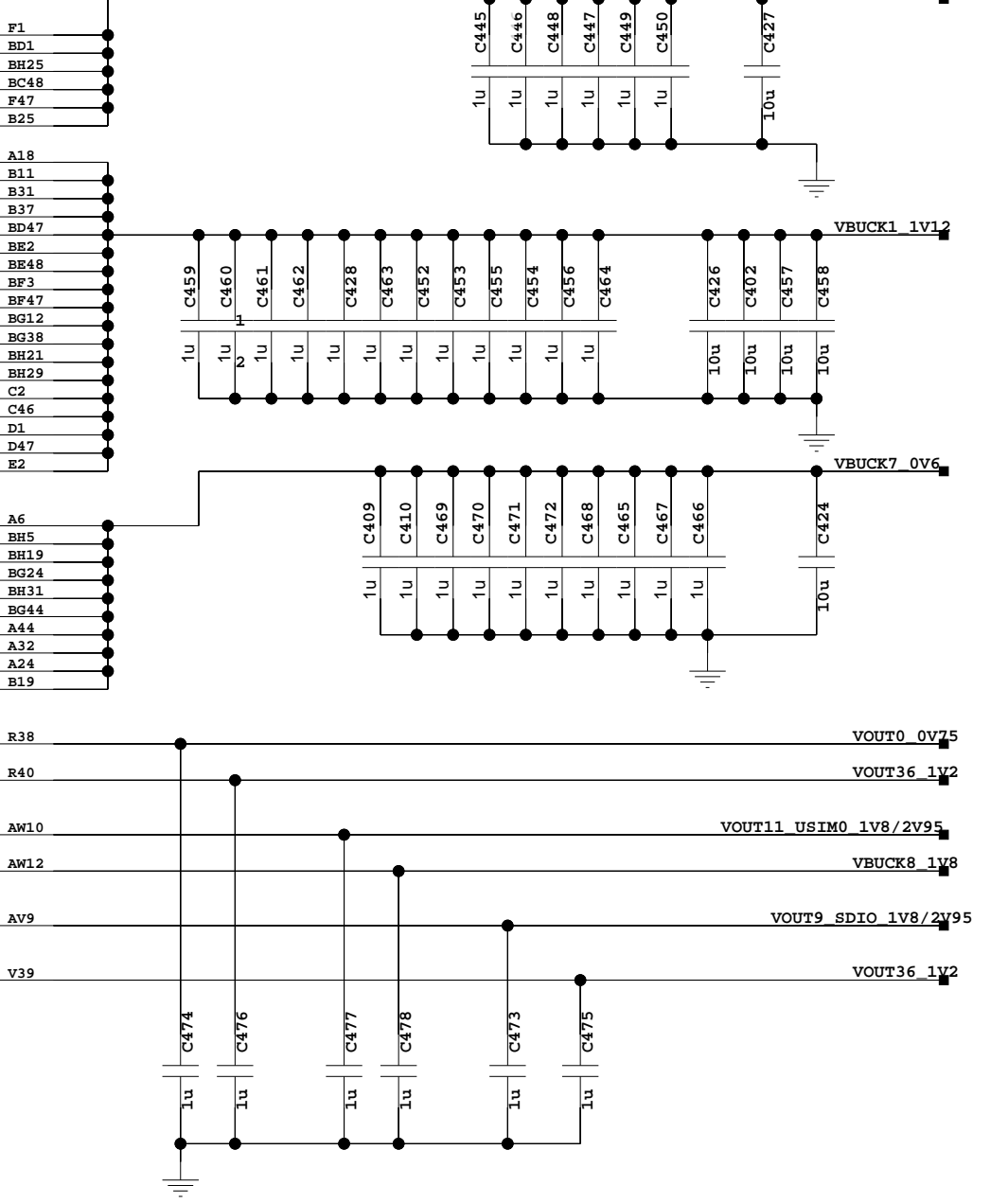
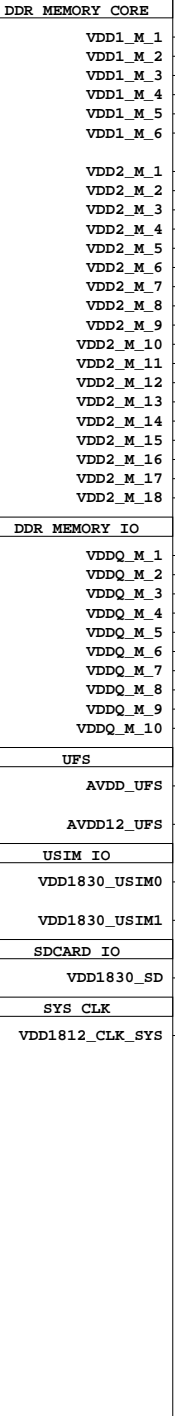
4. SOC PWR2



U300
HI3680V100



PWR2 interface 2 of 10



AP Temperature DET

The type and specification of the components refer to the BOM

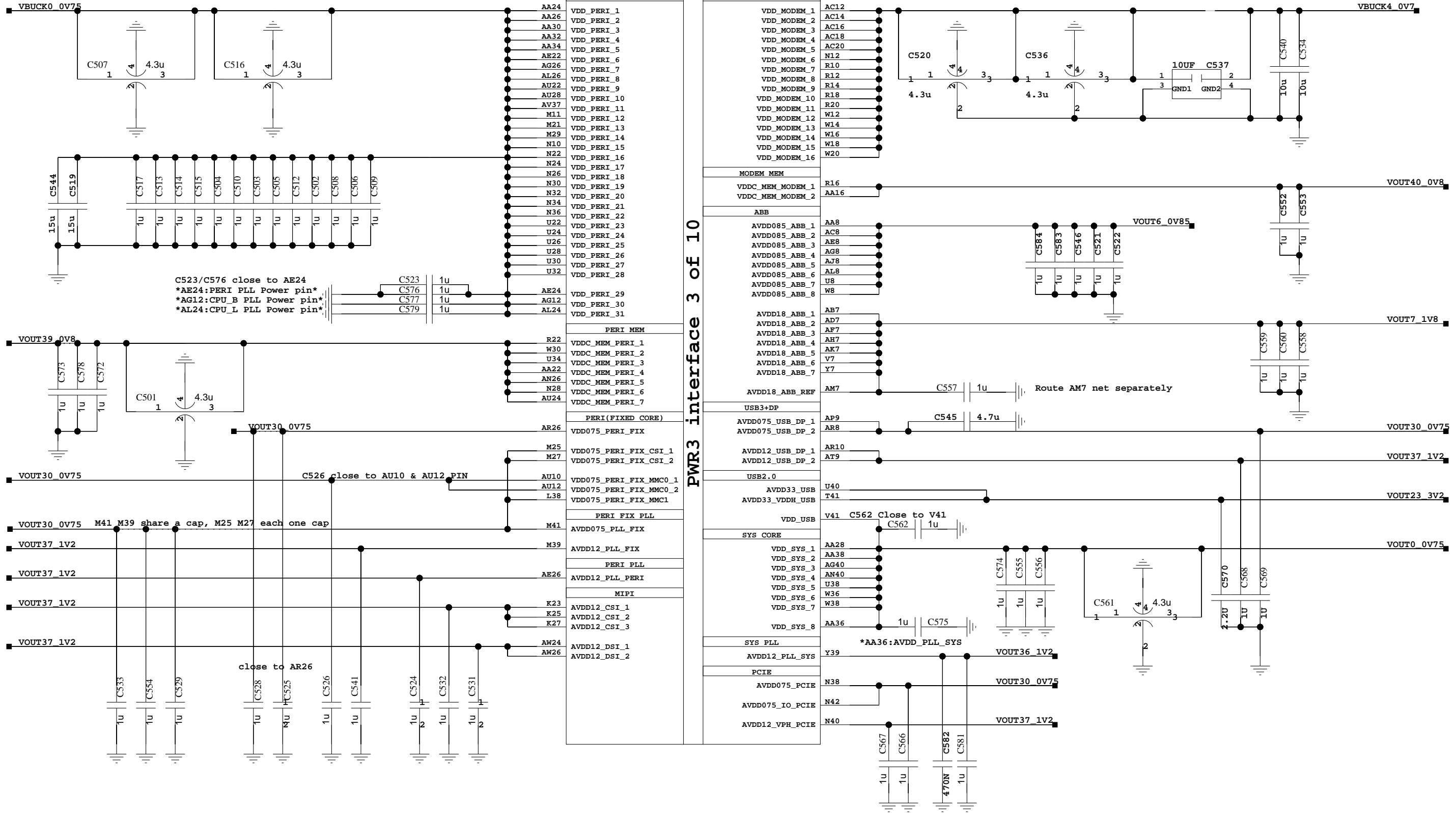
DESIGNED	HUAWEI	VER	PART_NUMBER	SHEET	4	SOOPWR00
REVIEWED	HUAWEI	B	03088GSJ	HUAWEI TECH CO.,LTD.		
				NA	2018-11-01	
				ECA NO	DATE	
				MATE20 PORSCHEDESIGN PorscheDesign		

5. SOC PWR3



U300
HI3680V100

PWR3 interface 3 of 10



The type and specification of the components refer to the BOM

				NA	2018-11-01
				ECA NO	DATE
DESIGNED	HUAWEI	MATE20 PORSCHEDESIGN PorscheDesign			
REVIEWED	HUAWEI				
		VER	PART_NUMBER	SHEET SOC PWR3 60	
		B	03088GSJ	HUAWEI TECH CO.,LTD.	