

# Lenovo G41 uATX

SVT Ver: 1.1  
2009-02-03

SVT PCB Ver: 1.1 G/O date 2008-12-30  
 SVT PCB Ver: 1.0 G/O date 2008-12-05  
 SIT-R2 PCB Ver: X5 G/O date 2008-11-21(for lenovo factory)  
 SIT PCB Ver: X4 G/O date 2008-10-15(for lenovo RD)  
 SIT PCB Ver: X3 G/O date 2008-09-19 (for Foxconn internal test)  
 SDV PCB Ver: X2 G/O date 2008-7-9  
 ET PCB Ver: X1 G/O date 2008-5-22

**FOXCONN CONFIDENTIAL**  
**DO NOT DISTRIBUTE**

PAGE	TITLE
01	TOC/SCH Changes
02	Block Diagram
03	Clocks Diagram
04	Power Distribution
05	Power Flow
06	Power Good Diagram
07	Power Sequence Diagram
08	Reset Diagram
09	Clock Generator - CK505
10	TPM and Assert ID
11	ASF2.0 Sensor
12	P4-LGA775 Signals 1
13	P4-LGA775 Signals 2
14	P4-LGA775 Power 1
15	XDP Conn./DMI debug header
16	MCH-CPU FSB Interface
17	MCH-DDR2 Memory Channel A
18	MCH-DDR2 Memory Channel B
19	MCH-PCI-E x16/Graphics.
20	MCH-VGA/MISC
21	MCH-Power/GND
22	MCH-Power Decoupling/Filter
23	DDR2 CH-A DIMM1
24	DDR2 CH-B DIMM1
25	BLANK PAGE
26	ICH7 PCI/PCI-E/USB
27	ICH7 MISC
28	ICH7 Power/Ground
29	USB Power
30	USB 2.0 Connector
31	Audio Codec Realtek ALC662
32	Audio Front/Rear Connector
33	SATA and FDD
34	PCI slot1
35	PCI Slot2
36	PCIE x1 Slot
37	PCIE x16 Slot
38	SuperIO SMSC5147
39	Parallel / Serial Ports
40	PS2_KBD-Mouse
41	VGA Port
42	SPI EEPROM
43	Power Input/ EMI CAP/MINT
44	Front Conn./LED/FRISW
45	Chassis / CPU / PSU Fan Headers
46	MARVELL 88E8057
47	LAN Power
48	Case and CMOS/ RJ45 w/ Rear USB
49	BLANK PAGE
50	+VCORE Controller
51	+VCORE Phase1 & Phase2
52	+VCORE Phase3 & Phase4
53	+5V_Dual & +5V_Dual_USB_B
54	+3P3VSB
55	+1P8V_Dual & +VTT_DDR
56	NB/SB 1P125V Power
57	+1P2V_FSB_VTT & +1P5V
58	Blank
59	Blank

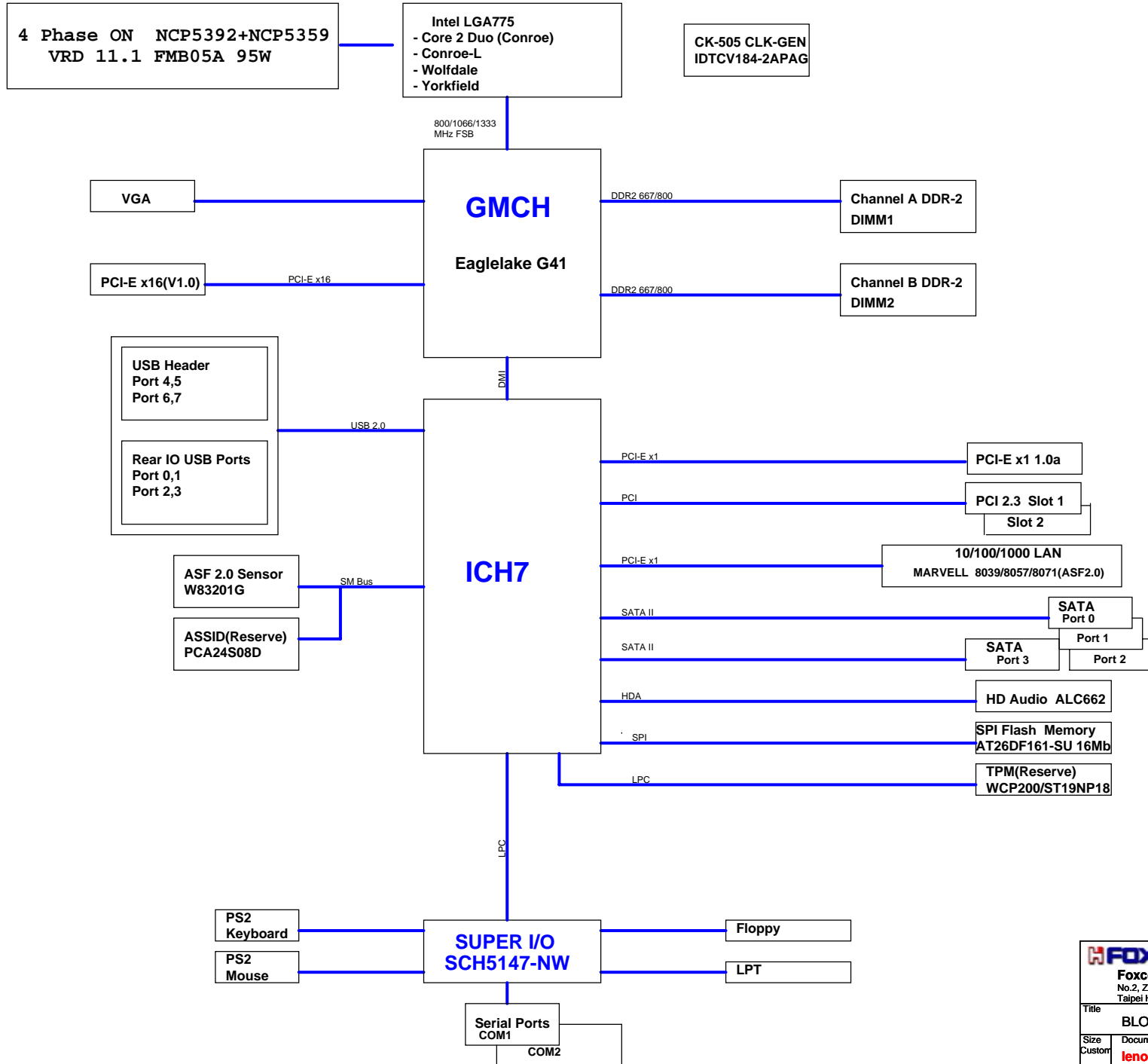
x1 change note: waiting PN  
 update the PCB description  
 PCB1  
 Printed Circuit Board  
 PCB BOARD  
 CRITICAL  
 I

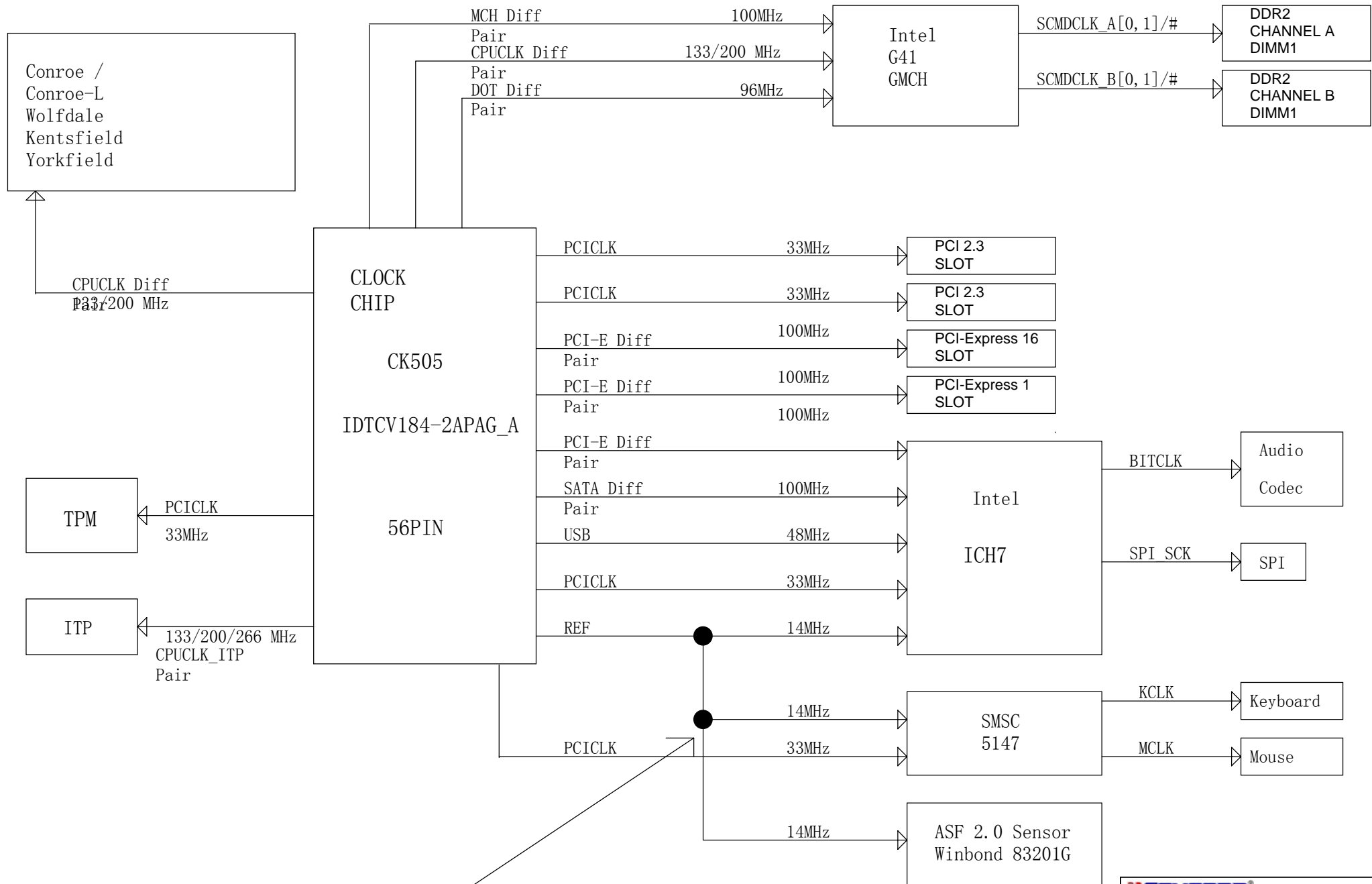
LBL1  
 BIOS\_LICENCE  
 NI

x1 change note:  
 update the title block

<b>FOXCONN</b>		Hon Hai Precision Industry Co. Ltd.	
Foxconn CMMSG		No.2, Ziyou St., TuCheng City, Taipei Hsien 236, Taiwan, R.O.C.	
Phone: 886-2-2268-3466		Fax: 886-2-2268-6235	
Title	TOC / SCH CHANGES		
Size	Document Number	Rev	
Custom	Lenovo G41	X2	
Page Modified: Tuesday, February 03, 2009 16:37:43 (UTC+8) Sheet 1 of 60			

# BLOCK DIAGRAM





One Source Driver 3 device  
High Risk

1 2 3 4 5 6 7 8

A

A

B


B

C

C

D

D

		<b>Hon Hai Precision Industry Co. Ltd.</b>	
<b>Foxconn CMMSG</b>		No.2, Ziyou St., TuCheng City, Taipei Hsien 236, Taiwan, R.O.C.	
		Phone: 886-2-2268-3466 Fax: 886-2-2268-6235	
Title			
POWER DISTRIBUTION DIAGRAM			
Size	Document Number	Rev	
Custom	<b>lenovo G41</b>	<b>X2</b>	
Page Modified: Friday, July 11, 2008		08:38:31 (UTC+8)	Sheet 4 of 60

1 2 3 4 5 6 7 8

