

# Baseband Schematic

1. Contents
2. Block Diagramm
3. SOC PWR1
4. SOC PWR2
5. SOC PWR3
6. SOC HS Interface
7. SOC GPIO Interface
8. SOC RF Interface
9. SOC GND
10. PMU LDO
11. PMU BUCK/Codec
12. PMU MISC
13. HI6422
14. eMMC and LPDDR3
15. Battery and USB switch
16. Scharger V200
17. LCD Interface
18. DPS\_ALS Reserved
19. Flash LED
20. Camera Interface
21. Camera MIPI Switch
22. Codec Reserved
23. Audio RCV/MIC
24. Headphone
25. Audio Smart PA Reserved
26. X-Sensor1
27. NXP NFC Reserved
28. SIM/SD Card
29. FPC Interface
30. Test Point/Shielding

# MODEM Schematic

31. RF Interface
32. RF Transceiver0
33. APT Power
34. Reserved
35. Reserved
36. Reserved
37. RF Front End LW B1/B2/B3/B5/B8 TRX
38. RF Front End MMBPA+Switch /Main A
39. RF Front End MAIN ANT TUNNER
40. Reserved
41. Reserved
42. TCXO
43. Reserved for CDMA Modem
44. Reserved for CDMA Modem
45. Reserved for CDMA Modem
46. Reserved for CDMA Modem
47. Reserved for CDMA Modem
48. Reserved for CDMA Modem
49. RESERVED
50. RESERVED
51. Reserved
52. BT/WLAN/FM/NFC
53. BT/WLAN/FM/NFC
54. WIFI\_RF\_FrontEnd\_2.4GHz
55. WIFI\_RF\_FrontEnd\_5GHz
56. GPS
57. Reserved
58. RF Transceiver2
59. RFIC2\_GSM PA+Switch+RX
60. RF PMU2

The type and specification of the components refer to the BOM

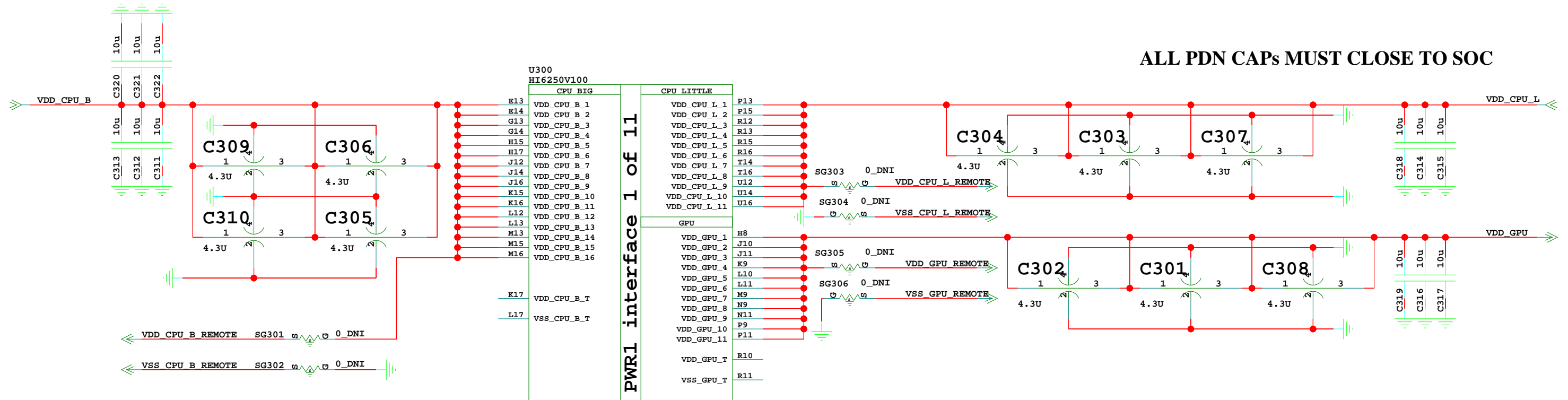
				NA	2017-12-22
				ECA NO	DATE
DESIGNED	XUMENG 00322542	HL1FLAM		03024XXX_SCHZH	
REVIEWED	ZHANGYOUJUN 00258580				
		VER	PART_NUMBER	SHEET 1_Contents 67	
		D	03024XXX	HUAWEI TECH CO.,LTD.	

# 2. Block Diagram

The type and specification of the components refer to the BOM

				NA	2017-12-22
				ECA NO	DATE
DESIGNED	XUMENG 00322542	HL1FLAM		03024XXX_SCHZH	
REVIEWED	ZHANGYOUJUN 00258580				
		VER	PART_NUMBER	SHEET 2_of_Diagram	
		D	03024XXX	HUAWEI TECH CO.,LTD.	

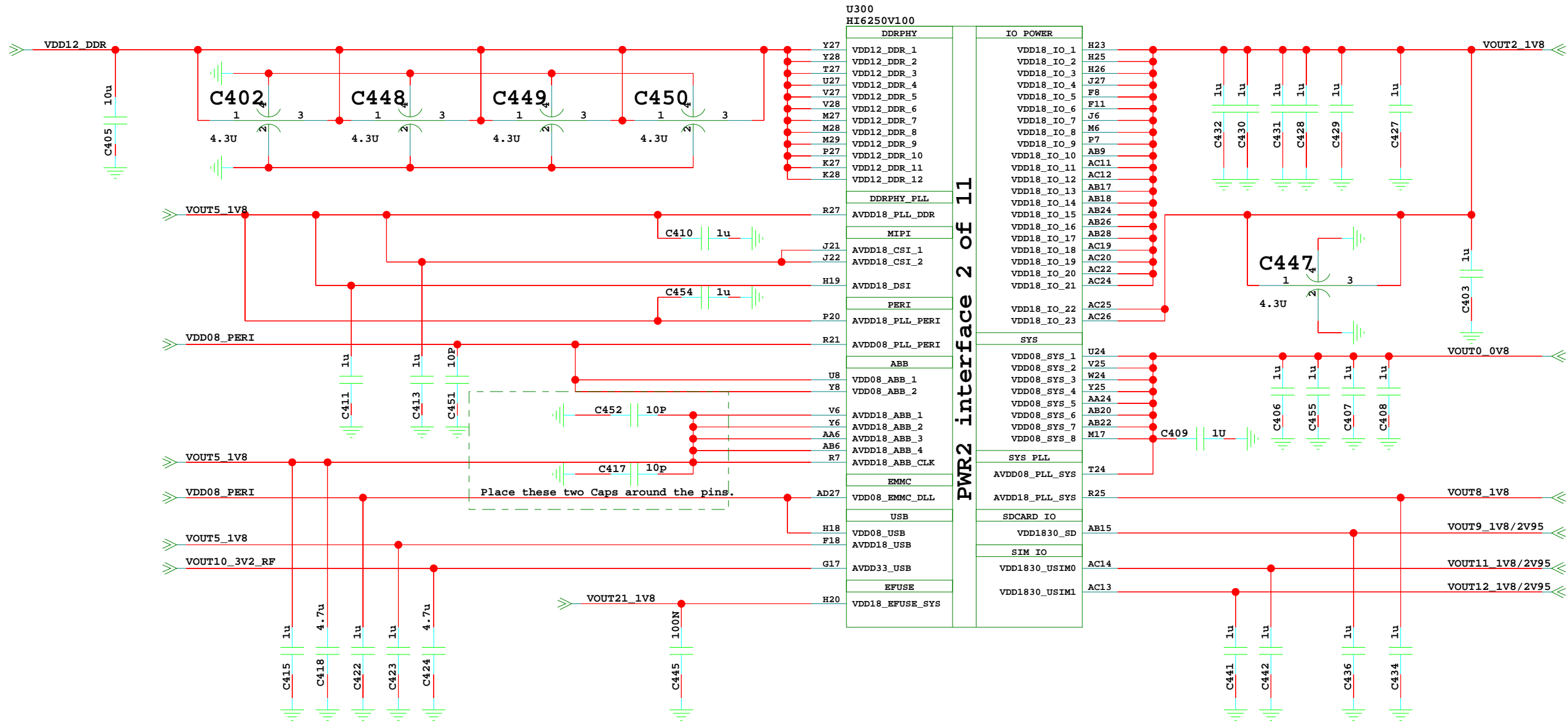
# 3. SOC PWR1



The type and specification of the components refer to the BOM

				NA	2017-12-22
				ECA NO	DATE
DESIGNED	XUMENG 00322542	HL1FLAM		03024XXX_SCHZH	
REVIEWED	ZHANGYOUJUN 00258580	VER	PART_NUMBER	SHEET 3_S00PWR1	
		D	03024XXX	HUAWEI TECH CO.,LTD.	

# 4. SOC PWR2



PWR2 interface 2 of 11

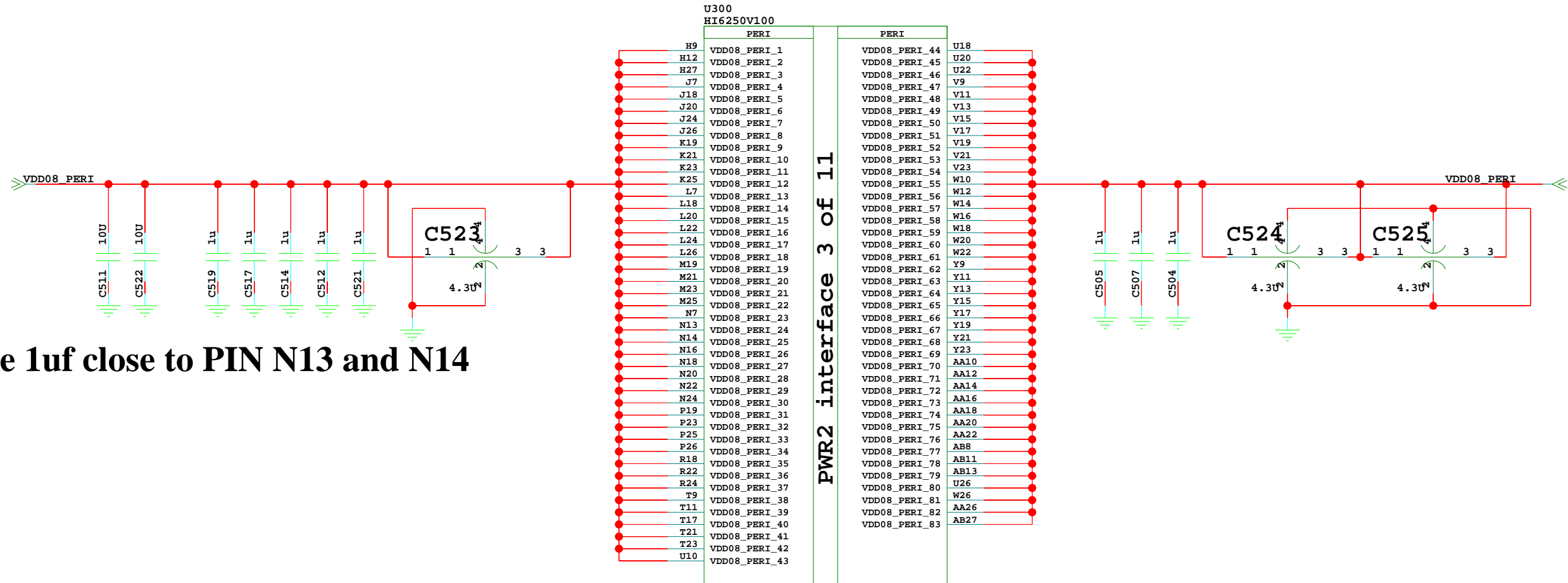
Place these two Caps around the pins.

The type and specification of the components refer to the BOM

				NA	2017-12-22
				ECA NO	DATE
DESIGNED	XUMENG 00322542	HL1FLAM		03024XXX_SCHZH	
REVIEWED	ZHANGYOUJUN 00258580	VER	PART_NUMBER	SHEET 4_S00PWR2	
		D	03024XXX	HUAWEI TECH CO.,LTD.	

# 5. SOC PWR3

Place 1uf close to PIN N13 and N14



The type and specification of the components refer to the BOM

				NA	2017-12-22
				ECA NO	DATE
DESIGNED	XUMENG 00322542	HL1FLAM		03024XXX_SCHZH	
REVIEWED	ZHANGYOUJUN 00258580	VER	PART_NUMBER	SHEET 5_S00PWR3	
		D	03024XXX	HUAWEI TECH CO.,LTD.	