

J50I MLB-I

REV	ECN	DESCRIPTION OF REVISION	CK APPD DATE
<REV>	<ECN>	<ECO_DESCRIPTION>	<ECODATE>

1. ALL RESISTANCE VALUES ARE IN OHMS, 0.1 WATT +/- 5%.
2. ALL CAPACITANCE VALUES ARE IN MICROFARADS.
3. ALL CRYSTALS & OSCILLATOR VALUES ARE IN HERTZ.


PDF	CSA	CONTENTS	SYNC MASTER	DATE
1	1	Table of Contents	J40I	05/16/2011
2	2	System Block Diagram	J40I	05/16/2011
3	3	Power Block Diagram	J40I	05/16/2011
4	4	COMMON PARTS TABLE	J40I	05/16/2011
5	5	Revision History	J40I	05/16/2011
6	6	POWER CONN / FLOW	J40I	05/16/2011
7	7	POWER FLOW CONT.	J40I	05/16/2011
8	8	SPECIFIC ALIASES, TABLES	J40I	05/16/2011
9	9	MECHANICAL, GROUND VIAS	J40I	05/16/2011
10	10	CPU DMI/PEG/FDI/RSVD	MASTER	02/15/2011
11	11	CPU CLOCK/MISC/JTAG	MASTER	02/15/2011
12	12	CPU DDR3 INTERFACES	MASTER	02/15/2011
13	13	CPU POWER	MASTER	02/15/2011
14	14	CPU GROUNDS	MASTER	02/15/2011
15	16	CPU DECOUPLING-I	J40I	05/16/2011
16	17	CPU DECOUPLING-II	J40I	05/16/2011
17	18	PCH SATA/PCIe/CLK/LPC/SPI	J31_MLB	06/13/2011
18	19	PCH DMI/FDI/PM/Graphics	J31_MLB	06/13/2011
19	20	PCH PCI/USB/TP/RSVD	J31_MLB	06/13/2011
20	21	PCH GPIO/MISC/NCTF	J31_MLB	06/13/2011
21	22	PCH POWER	J31_MLB	06/13/2011
22	23	PCH GROUNDS	J31_MLB	06/13/2011
23	24	PCH DECOUPLING	J40I	05/16/2011
24	25	CPU & PCH XDP	J40I	05/16/2011
25	26	USB HUBS	J40I	05/16/2011
26	27	CLOCKS, CRYSTALS	J40I	05/16/2011
27	28	RTC SUPPORT, RESETS	J40I	05/16/2011
28	29	CPU Memory S3 Support	J40I	05/16/2011
29	30	SO-DIMM Pinswaps	J40I	05/16/2011
30	31	DDR3 SO-DIMM Connector A-1	J40I	05/16/2011
31	32	DDR3 SO-DIMM Connector A-2	J40I	05/16/2011
32	33	DDR3 Support	J40I	05/16/2011
33	34	FSB/DDR3/FRAMEBUF Vref Margining	J40I	05/16/2011
34	35	SD CARD READER	J40I	05/16/2011
35	36	WIRELESS,BT CONNECTOR	J40I	05/16/2011
36	38	ETHERNET CONNECTOR	J40I	05/16/2011
37	39	ETHERNET PHY (CAESAR IV)	J40I	05/16/2011
38	40	ETHERNET SUPPORT	J40I	05/16/2011
39	41	FIREWIRE LLC/PHY (FW643E)	J40I	05/16/2011
40	42	FIREWIRE: 1394B MISC	J40I	05/16/2011

PDF	CSA	CONTENTS	SYNC MASTER	DATE
41	43	FIREWIRE CONNECTOR	J40I	05/16/2011
42	44	HDD SATA CONNECTORS	J40I	05/16/2011
43	45	USB EXTERNAL PORTS A & B	J40I	05/16/2011
44	46	USB EXTERNAL PORTS C & D	J40I	05/16/2011
45	47	IR CONTROLLER	J40I	05/16/2011
46	48	IR/LED, PWR BTN	J40I	05/16/2011
47	49	SMC	J40I	05/16/2011
48	50	SMC Support	J40I	05/16/2011
49	51	LPC+ Debug Connector	J40I	05/16/2011
50	52	SMBus Connections	J40I	05/16/2011
51	53	Voltage & Load Side Current Sensing	J40I	05/16/2011
52	54	High Side Current Sensing	J40I	05/16/2011
53	55	THERMAL SENSORS	J40I	05/16/2011
54	56	AUDIO:CODEC	J40I	05/16/2011
55	57	AUDIO:LINE-IN	J40I	05/16/2011
56	58	AUDIO:HEADPHONE AMP	J40I	05/26/2011
57	59	AUDIO:SPEAKER AMP	J40I	05/16/2011
58	60	AUDIO:JACKS	J40I	05/16/2011
59	61	AUDIO:JACK TRANSLATORS	J40I	05/16/2011
60	62	AUDIO:DETECT/MIC BIAS	J40I	05/16/2011
61	64	SPI BOOT ROM	J40I	05/16/2011
62	65	Fan Control Circuit	J40I	05/16/2011
63	67	Power FETs	J40I	05/16/2011
64	68	Power Control 1/ENABLE	J40I	05/16/2011
65	69	POWER CONTROL CONT.	J40I	05/16/2011
66	71	VR - SYSTEM AGENT SUPPLY	J40I	05/16/2011
67	72	VR - 3.3V S5 AND 5V S4	J40I	05/16/2011
68	73	DDR 1.5V VR	J40I	05/16/2011
69	74	VR - CPU VCORE & GPU CONTROLLER	J40I	05/16/2011
70	75	VR - CPU VCORE OUTPUT PHASES	J40I	05/16/2011
71	76	VR - GPU	J40I	05/16/2011
72	77	VR - 1.05V S0	J40I	05/16/2011
73	78	VR - MISC	J40I	05/16/2011
74	79	PSU CONNECTOR, MISC CAPS	J40I	05/16/2011
75	80	NO GPU GLUE	J40I	05/16/2011
76	90	Thunderbolt Host (1 of 2)	J13_MLB	08/12/2011
77	91	Thunderbolt Host (2 of 2)	J13_MLB	08/12/2011
78	92	TBT POWER SUPPORT	J40I	05/16/2011
79	93	TBT SPARE	J40I	05/16/2011
80	94	Thunderbolt Connector A	J5_KEPLER	07/20/2011

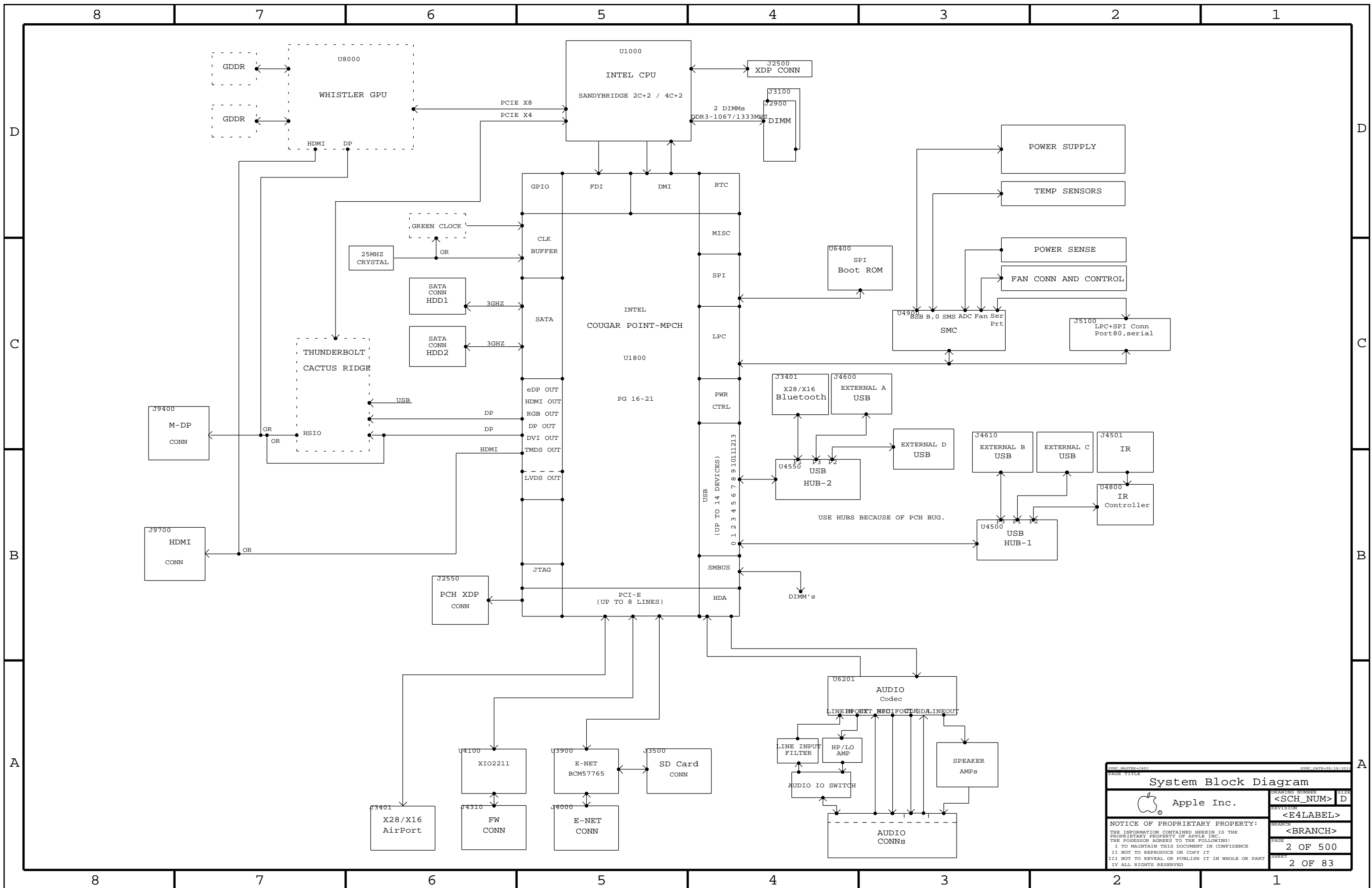
PDF	CSA	CONTENTS	SYNC MASTER	DATE
81	97	HDMI SHIFTER	J40I	05/16/2011
82	98	HDMI CONNECTOR	J40I	05/16/2011
83	500	LAST SCHEMATIC PAGE		

DOCUMENTS / BOARDS / ASSEMBLIES

PART NUMBER	QTY	DESCRIPTION	REFERENCE DES	CRITICAL	BOM OPTION
051-9341	1	SCH,MLB-I,J50I	SCH		
820-3227	1	PCBF,MLB-I,J50I	MLB		
639-3210		PCBA,MLB-I,J50I			
085-4179	1	DEV LIST,MLB-I,J50I	DEV1		DEVELOPMENT_LIST

DRAWING TITLE SCH,MLB_I,J50I	
 Apple Inc.	DRAWING NUMBER <SCH_NUM> D
	REVISION <E4LABEL>
NOTICE OF PROPRIETARY PROPERTY: THE INFORMATION CONTAINED HEREIN IS THE PROPRIETARY PROPERTY OF APPLE INC. THE POSSESSOR AGREES TO THE FOLLOWING: I TO MAINTAIN THIS DOCUMENT IN CONFIDENCE II NOT TO REPRODUCE OR COPY IT III NOT TO REVEAL OR PUBLISH IT IN WHOLE OR PART IV ALL RIGHTS RESERVED	BRANCH <BRANCH>
	PAGE 1 OF 500
	SHEET 1 OF 83

DRAWING
TITLE=SHORTSTACK
ABBREV=DRAWING



SYMC_MATTER-3401		SYMC_DATE-05/16/2011	
System Block Diagram			
Apple Inc.		DRAWING NUMBER	SIZE
Apple		<SCH_NUM>	D
NOTICE OF PROPRIETARY PROPERTY: THE INFORMATION CONTAINED HEREIN IS THE PROPRIETARY PROPERTY OF APPLE, INC. THE POSSESSOR AGREES TO THE FOLLOWING: I TO MAINTAIN THIS DOCUMENT IN CONFIDENCE II NOT TO REPRODUCE OR COPY IT III NOT TO REVEAL OR PUBLISH IT IN WHOLE OR PART IV ALL RIGHTS RESERVED		REVISION	<E4LABEL>
		BRANCH	<BRANCH>
		PAGE	2 OF 500
		SHEET	2 OF 83

8

7

6

5

4

3

2

1

D

D

C

C

B

B

A

A

8

7

6

5

4

3

2

1

<small>SYMC_MATTER=3401</small>		<small>SYMC_DATE=05/16/2011</small>	
PAGE TITLE			
Power Block Diagram			
DRAWING NUMBER		SIZE	
<SCH_NUM>		D	
REVISION		BRANCH	
<E4LABEL>		<BRANCH>	
NOTICE OF PROPRIETARY PROPERTY:			
THE INFORMATION CONTAINED HEREIN IS THE PROPRIETARY PROPERTY OF APPLE INC. THE POSSESSOR AGREES TO THE FOLLOWING:			
I TO MAINTAIN THIS DOCUMENT IN CONFIDENCE			
II NOT TO REPRODUCE OR COPY IT			
III NOT TO REVEAL OR PUBLISH IT IN WHOLE OR PART			
IV ALL RIGHTS RESERVED			
PAGE		SHEET	
3 OF 500		3 OF 83	



Apple Inc.

THE INFORMATION CONTAINED HEREIN IS THE PROPRIETARY PROPERTY OF APPLE INC. THE POSSESSOR AGREES TO THE FOLLOWING:

I TO MAINTAIN THIS DOCUMENT IN CONFIDENCE

II NOT TO REPRODUCE OR COPY IT

III NOT TO REVEAL OR PUBLISH IT IN WHOLE OR PART

IV ALL RIGHTS RESERVED

DRAWING NUMBER
<SCH_NUM>

REVISION
<E4LABEL>

BRANCH
<BRANCH>

PAGE
3 OF 500

SHEET
3 OF 83

PLATFORM CONTROL HUB (PCH)

PART NUMBER	QTY	DESCRIPTION	REFERENCE DES	CRITICAL	BOM OPTION
337S4143	1	IC,PCH,PANTHER_POINT,BGA,SSU,ES1	U1800	CRITICAL	PANTHER_POINT:ES1

PROGRAMMED PARTS


PART NUMBER	QTY	DESCRIPTION	REFERENCE DES	CRITICAL	BOM OPTION	
341T0999	1	IC,EFI BOOTROM,J50	U6400	CRITICAL		BASE: 335S0770,335S0769
341T0999	1	IC,SMC,J50G	U4900	CRITICAL	SMC:J50G	BASE: 338S0968
341T0999	1	IC,SMC,J50I	U4900	CRITICAL	SMC:J50I	BASE: 338S0968
341T0999	1	IC,SMC,J50S	U4900	CRITICAL	SMC:J50S	BASE: 338S0968
341T0340	1	IC,IR CONTROLLER,J40	U4700	CRITICAL		BASE: 338S0375
341T0341	1	IC,ENET ROM J40	U3990	CRITICAL		BASE: 335S0539, 335S0663, OR 335S0800

NON-SCHEMATIC PARTS

PART NUMBER	QTY	DESCRIPTION	REFERENCE DES	CRITICAL	BOM OPTION	
825-6838	1	LBL,SERIAL NUMBER	LBL			
946-3189	1	MLB UV EB,J40G	UVEB	CRITICAL	J40X:J40G	0.78 GRAM
946-3379	1	MLB UV EB,J40I	UVEB	CRITICAL	J40X:J40I	0.61 GRAM
946-3379	1	MLB UV EB,J40S	UVEB	CRITICAL	J40X:J40S	0.61 GRAM
946-3190	1	MLB ADHESIVE,LOCTITE	ADHS	CRITICAL		0.048GRAM

Alternate Parts

PART NUMBER	ALTERNATE FOR PART NUMBER	BOM OPTION	REF DES	COMMENTS:
128S0286	128S0248	?	?	39UF CAP FROM SANYO AND CHEMI-CON
132S0099	132S0203	?	?	0.1UF CAP,X7R
138S0676	138S0691	?	?	22UF CAP FROM MURATA
138S0681	138S0638	?	?	10UF CAP FROM TAIYO YUDEN
152S0138	152S0694	?	?	INDUCTOR FROM VISHAY
152S1447	152S1269	?	?	INDUCTOR FROM CYNTEC
152S1282	152S1155	?	?	INDUCTOR FROM CYNTEC
152S1366	152S1289	?	?	INDUCTOR FROM TOKO
155S0641	155S0397	?	?	FERRITE FROM LAIRD
155S0457	155S0329		ALL	MAG LAYERS ALT TO MURATA
157S0058	157S0055		ALL	DELTA ALT TO THE MAGNETIC
353S3196	353S3326	?	?	DIFFERENT TEMP RATING
371S0679	371S0652	?	?	PIN DIODE FROM NXP
376S0914	376S0881		?	SI7121DN AS ALTERNATE
376S0957	376S0999		?	DUAL FET FROM FAIRCHILD
376S0958	376S0953		?	DUAL FET FROM FAIRCHILD
376S1000	376S0960		?	DUAL FET FROM FAIRCHILD
376S0972	376S0612		?	FET FROM ROHM
376S0613	376S0859		?	OLDER DUAL FET FROM TOSHIBA
376S0855	376S0859		?	DUAL FET FROM DDS
376S0977	376S0859		?	DUAL FET FROM DDS
138S0703	138S0648		?	CAP FROM MURATA
197S0339	197S0179		?	OSC. FROM SITIME
376S0926	376S0610		?	DUAL FET FROM FAIRCHILD
376S0572	376S0659		?	FET FROM ALPHA OMEGA
377S0124	377S0057		?	VARISTOR FROM AMOTECH
152S1493	152S1300	?	?	INDUCTOR FROM COILCRAFT

SYNC MASTER=J40I		SYNC DATE=05/16/2011	
COMMON PARTS TABLE			
 Apple Inc.		DRAWING NUMBER	SIZE
		<SCH_NUM>	D
		REVISION	
		<E4LABEL>	
NOTICE OF PROPRIETARY PROPERTY:		BRANCH	
THE INFORMATION CONTAINED HEREIN IS THE PROPRIETARY PROPERTY OF APPLE INC. THE POSSESSOR AGREES TO THE FOLLOWING:		<BRANCH>	
I TO MAINTAIN THIS DOCUMENT IN CONFIDENCE		PAGE	4 OF 500
II NOT TO REPRODUCE OR COPY IT		SHEET	4 OF 83
III NOT TO REVEAL OR PUBLISH IT IN WHOLE OR PART			
IV ALL RIGHTS RESERVED			

8

7

6

5

4

3

2

1

D

D

C


C

B

B

A

A

SYNC MASTER=J401		SYNC DATE=05/16/2011	
Revision History			
 Apple Inc.		DRAWING NUMBER	SIZE
		<SCH_NUM>	D
NOTICE OF PROPRIETARY PROPERTY: THE INFORMATION CONTAINED HEREIN IS THE PROPRIETARY PROPERTY OF APPLE, INC. THE POSSESSOR AGREES TO THE FOLLOWING: I TO MAINTAIN THIS DOCUMENT IN CONFIDENCE II NOT TO REPRODUCE OR COPY IT III NOT TO REVEAL OR PUBLISH IT IN WHOLE OR PART IV ALL RIGHTS RESERVED		REVISION	
		<E4LABEL>	
		BRANCH	
		<BRANCH>	
		PAGE	5 OF 500
		SHEET	5 OF 83

8

7

6

5

4

3

2

1