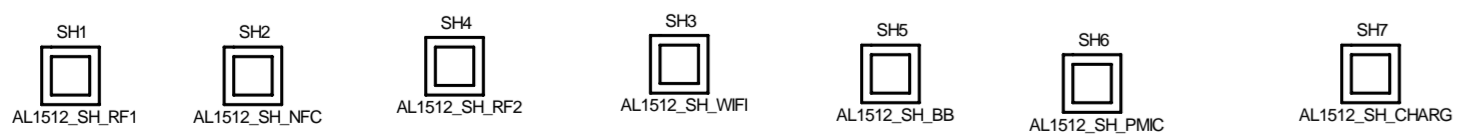


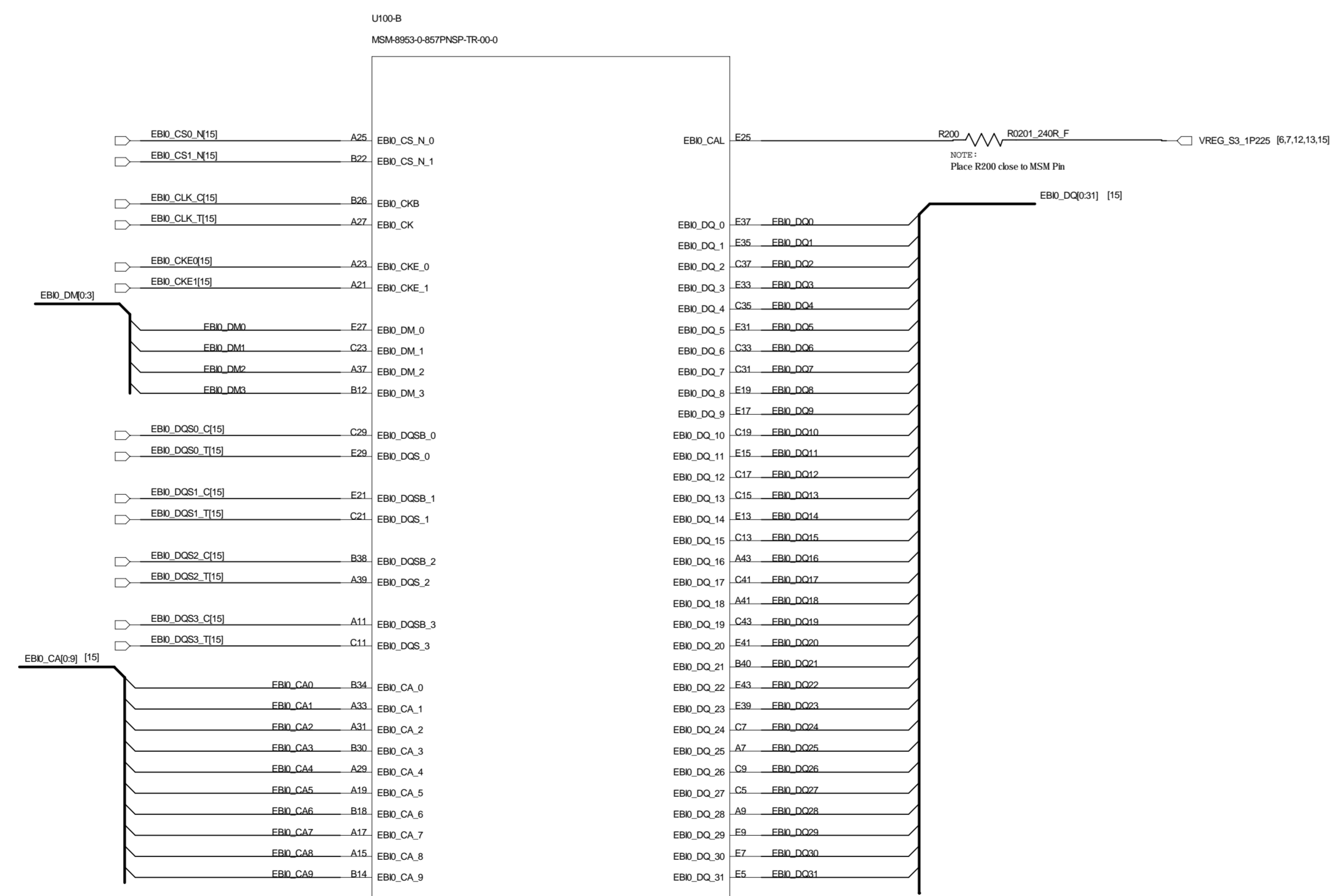
MSM8953 Control

NOT TO BE USED, COPIED, REPRODUCED IN WHOLE OR IN PART NOR ITS CONTENTS REVEALED IN ANY MANNER TO OTHERS WITHOUT THE EXPRESS WRITTEN PERMISSION OF QUALCOMM



QUALCOMM Technologies, Inc.
3501 La Jolla Village Drive
San Diego, CA 92121-1714
USA

Title	
Sheet	Rev
Date	Drawn by

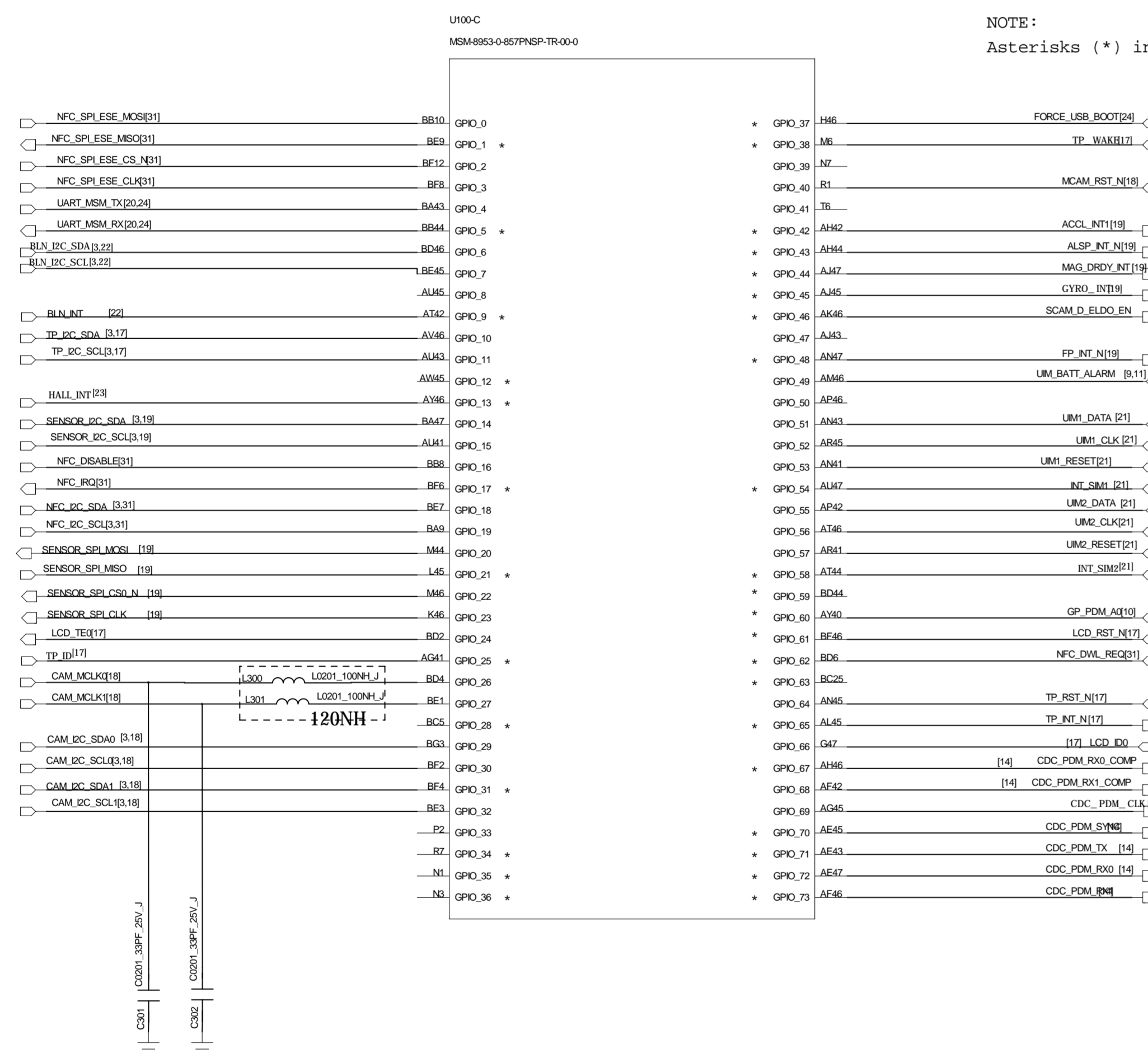


NOT TO BE USED, COPIED, REPRODUCED IN WHOLE OR IN PART, NOR ITS CONTENTS REVEALED IN ANY MANNER TO OTHERS WITHOUT THE EXPRESS WRITTEN PERMISSION OF QUALCOMM.

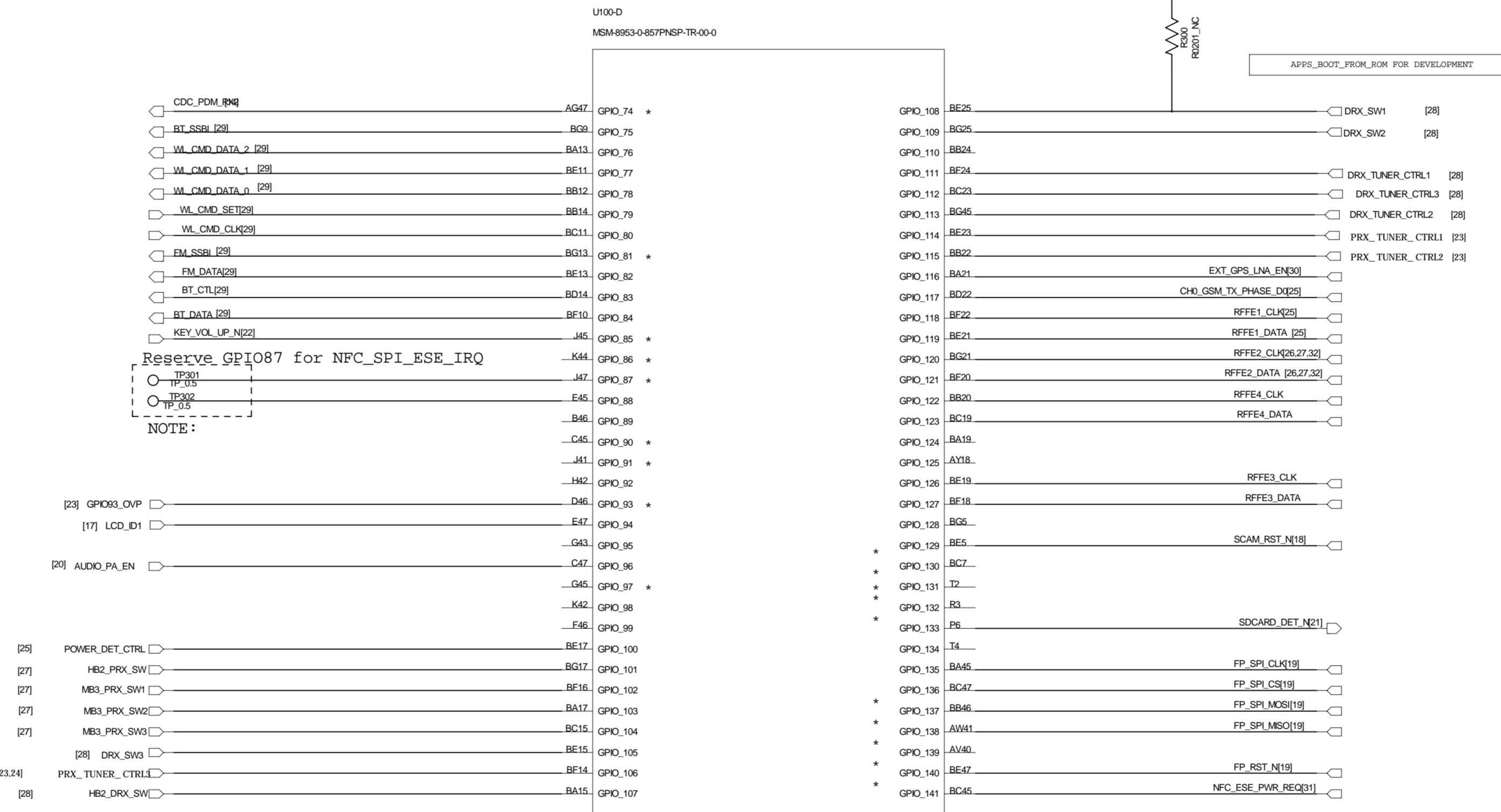
MSM8953 EB1

QUALCOMM Technologies, Inc.
 5765 La Tijera Blvd.
 San Diego, CA 92121-1714
 U.S.A.

Title		
Drawn		
Check		
Date		

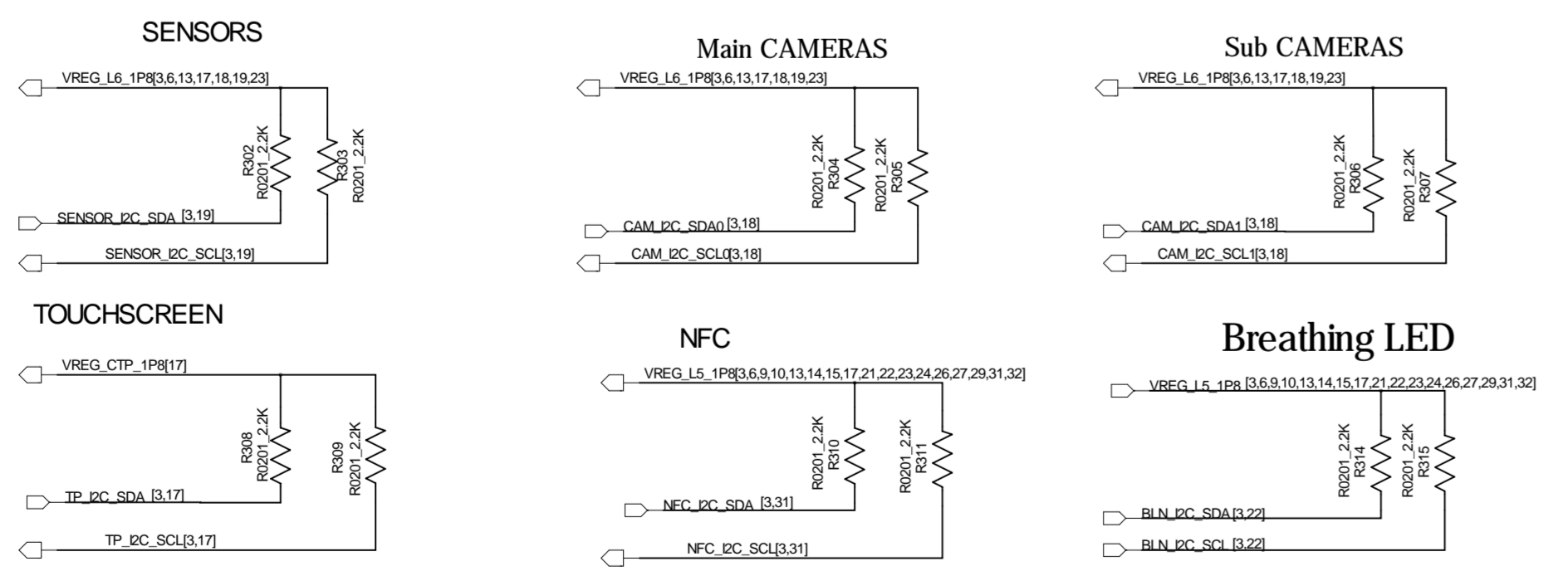


NOTE:
Asterisks (*) indicate modem power management (MPM) wake-up pins



The WCD9335 SLIMbus is compliant to the clock and data specifications, as specified in the *MPI Alliance Specification for Serial Low-power Inter-chip Media Bus (SLIMbus) Version 1.01.01*.

12C PULL-UP RESISTORS



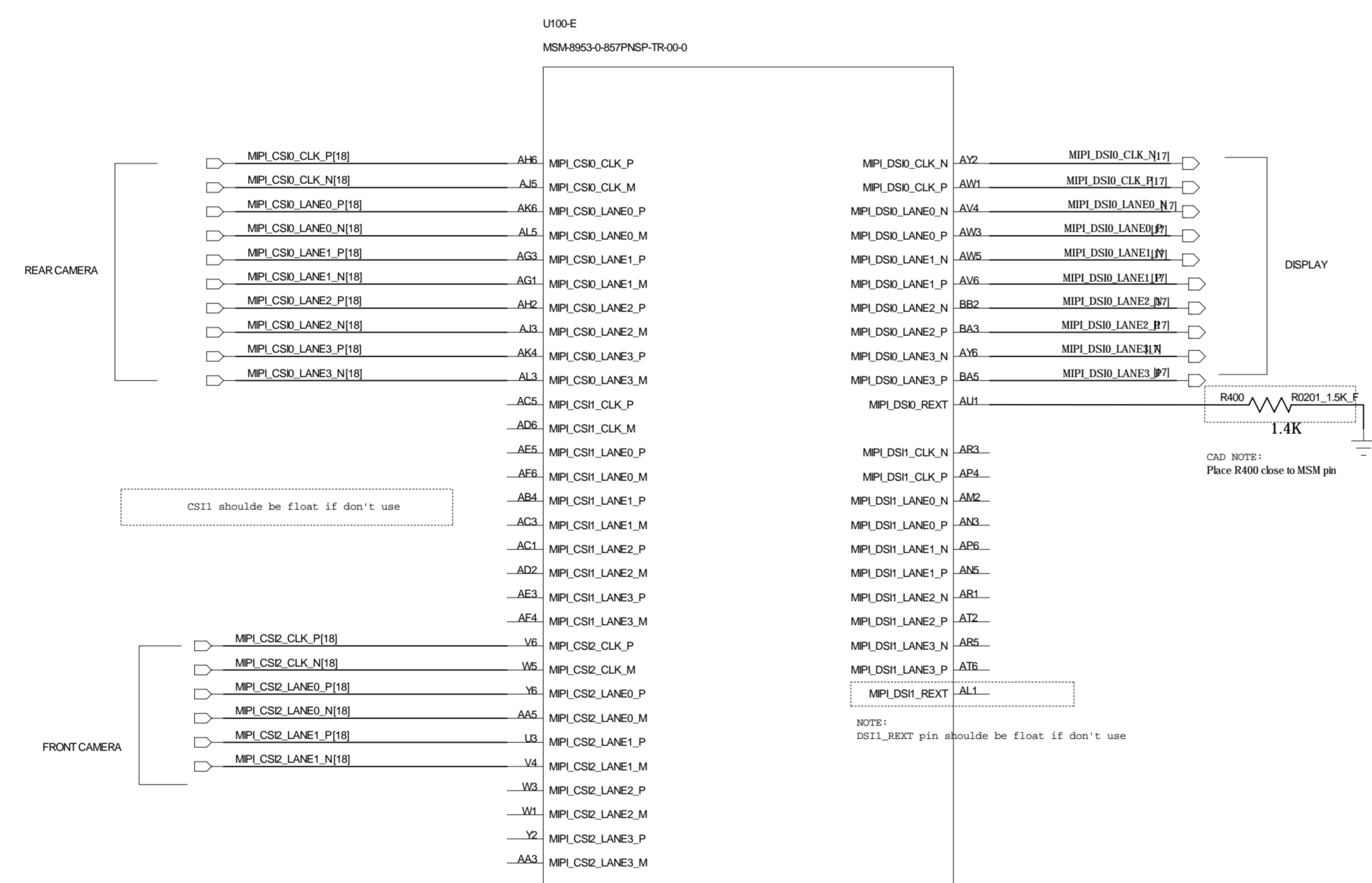
NOTE:
Ensure SW sets these GPIOs (Sensor, CTP and Camera I2C bus) to inout pull down when the peripherals are powered off to eliminate leakage.

GPIO	FUNCTION	BOOT_CONFIG[9:1]	BOOT_CONFIG
GPIO_37	FORCE_USB_BOOT	0x000	0x000
GPIO_118	WAKEUP	0x001	0x001
GPIO_119	APPE_BOOT_PPMAN_DEV	0x010	0x010
GPIO_110		0x000	0x000
GPIO_111		0x000	0x000

MSM8953 GPIO

QUALCOMM Technologies, Inc.
San Diego, CA 92121-1714
USA

Title	Drawn	Rev



CSI Pin Name	CSI DPHY 4-lane	CSI DPHY 2+1 Mode	CSI CPHY 3Phase Mode
CSI0_3PHASE_PIN0	CSI0_CLKP	CSI0_2LANE_CLKP	NC
CSI0_3PHASE_PIN1	CSI0_CLKN	CSI0_2LANE_CLKN	CSI0_TRIO_A
CSI0_3PHASE_PIN2	CSI0_DPO	CSI0_2LANE_DPO	CSI0_TRIO_B
CSI0_3PHASE_PIN3	CSI0_DNO	CSI0_2LANE_DNO	CSI0_TRIO_C
CSI0_3PHASE_PIN4	CSI0_DP1	CSI0_2LANE_DP1	CSI0_TR11_A
CSI0_3PHASE_PIN5	CSI0_DN1	CSI0_2LANE_DN1	CSI0_TR11_B
CSI0_3PHASE_PIN6	CSI0_DP2	CSI0_1LANE_DPO	CSI0_TR11_C
CSI0_3PHASE_PIN7	CSI0_DN2	CSI0_1LANE_DNO	CSI0_TR12_A
CSI0_3PHASE_PIN8	CSI0_DP3	CSI0_1LANE_CLKP	CSI0_TR12_B
CSI0_3PHASE_PIN9	CSI0_DN3	CSI0_1LANE_CLKN	CSI0_TR12_C
CSI1_3PHASE_PIN1	CSI1_CLKP	CSI1_2LANE_CLKP	CSI1_TRIO_A
CSI1_3PHASE_PIN2	CSI1_CLKN	CSI1_2LANE_CLKN	CSI1_TRIO_B
CSI1_3PHASE_PIN3	CSI1_DPO	CSI1_2LANE_DPO	CSI1_TRIO_C
CSI1_3PHASE_PIN4	CSI1_DNO	CSI1_2LANE_DNO	CSI1_TR11_A
CSI1_3PHASE_PIN5	CSI1_DP1	CSI1_2LANE_DP1	CSI1_TR11_B
CSI1_3PHASE_PIN6	CSI1_DN1	CSI1_2LANE_DN1	CSI1_TR11_C
CSI1_3PHASE_PIN7	CSI1_DP2	CSI1_1LANE_DPO	CSI1_TR12_A
CSI1_3PHASE_PIN8	CSI1_DN2	CSI1_1LANE_DNO	CSI1_TR12_B
CSI1_3PHASE_PIN9	CSI1_DP3	CSI1_1LANE_CLKP	CSI1_TR12_C
CSI2_3PHASE_PIN0	CSI2_CLKP	CSI2_2LANE_CLKP	CSI2_TRIO_A
CSI2_3PHASE_PIN1	CSI2_CLKN	CSI2_2LANE_CLKN	CSI2_TRIO_B
CSI2_3PHASE_PIN2	CSI2_DPO	CSI2_2LANE_DPO	CSI2_TRIO_C
CSI2_3PHASE_PIN3	CSI2_DNO	CSI2_2LANE_DNO	CSI2_TR11_A
CSI2_3PHASE_PIN4	CSI2_DP1	CSI2_2LANE_DP1	CSI2_TR11_B
CSI2_3PHASE_PIN5	CSI2_DN1	CSI2_2LANE_DN1	CSI2_TR11_C
CSI2_3PHASE_PIN6	CSI2_DP2	CSI2_1LANE_DPO	CSI2_TR12_A
CSI2_3PHASE_PIN7	CSI2_DN2	CSI2_1LANE_DNO	CSI2_TR12_B
CSI2_3PHASE_PIN8	CSI2_DP3	CSI2_1LANE_CLKP	CSI2_TR12_C
CSI2_3PHASE_PIN9	CSI2_DN3	CSI2_1LANE_CLKN	CSI2_TR12_C

NOT FOR USE: COPIED, REPRODUCED, IN WHOLE OR IN PART, NOR FOR CONTENTS BEING USED IN ANY MANNER TO DISSEMINATE THE EXPRESS WRITTEN PERMISSION OF QUALCOMM.

MSM8953 MIPI

QUALCOMM Technologies, Inc.
12060 Rockwell Drive
San Diego, CA 92121-1714
USA

Title _____
Date _____
Rev _____

