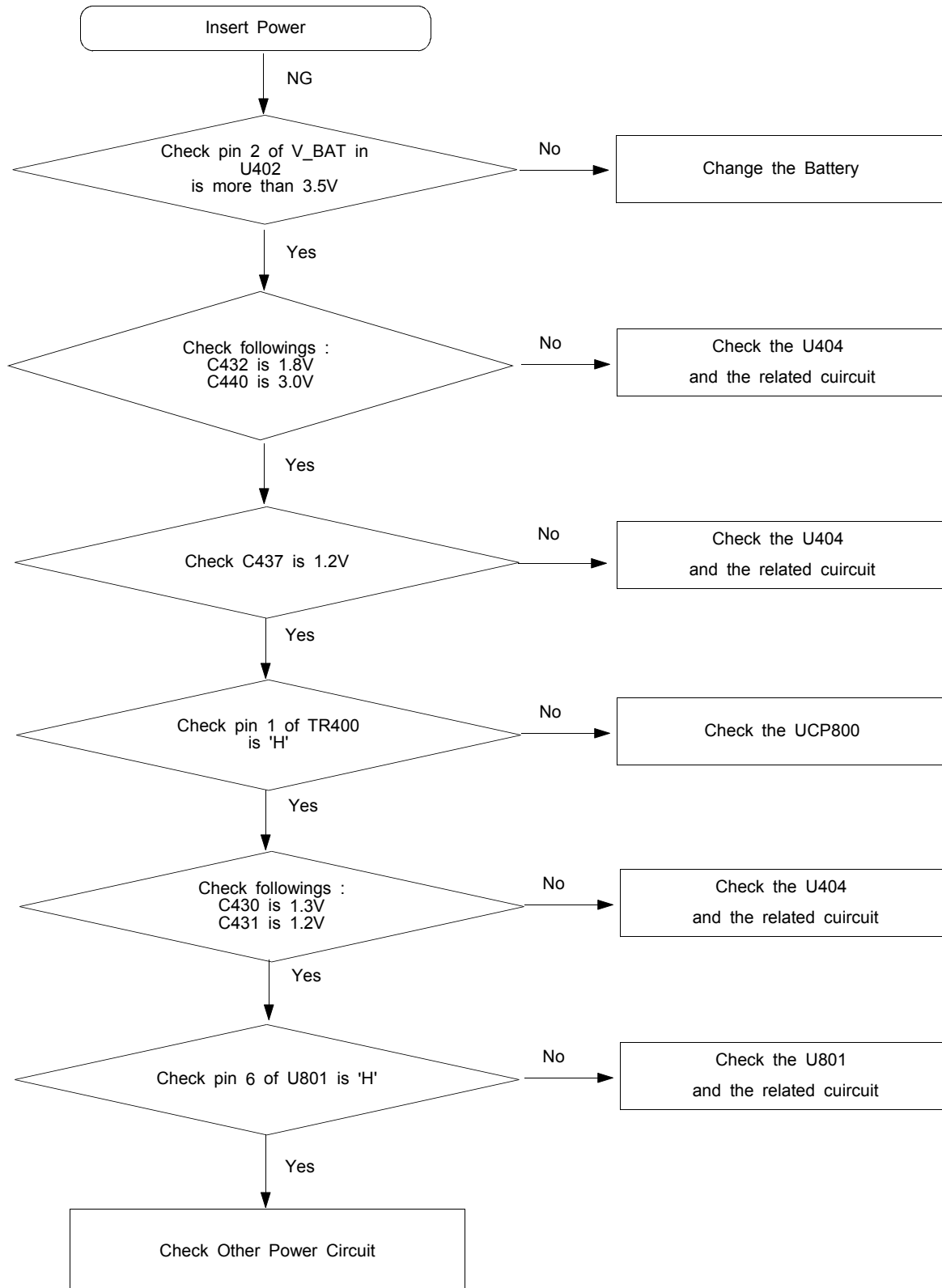


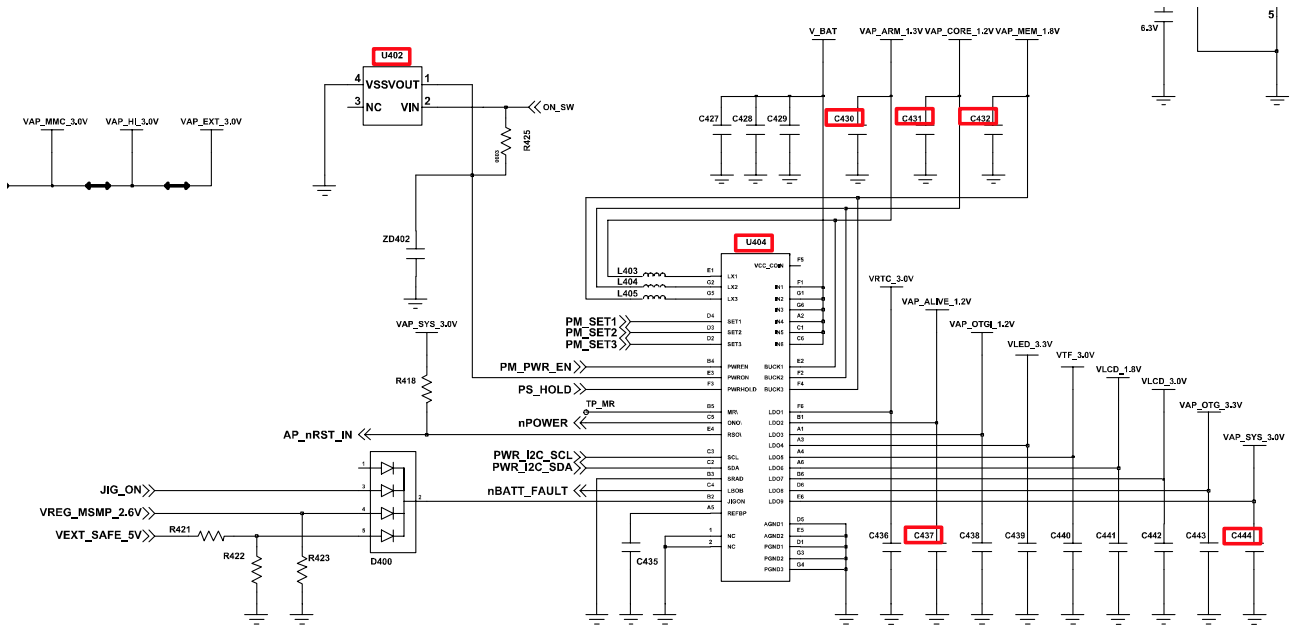
9. Flow Chart of Troubleshooting

9-1. Power On

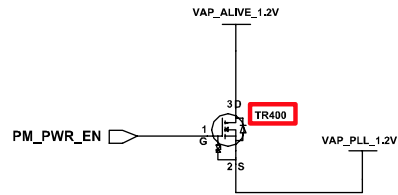
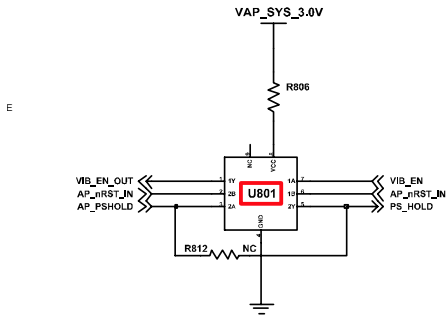
9-1-1. PDA Part

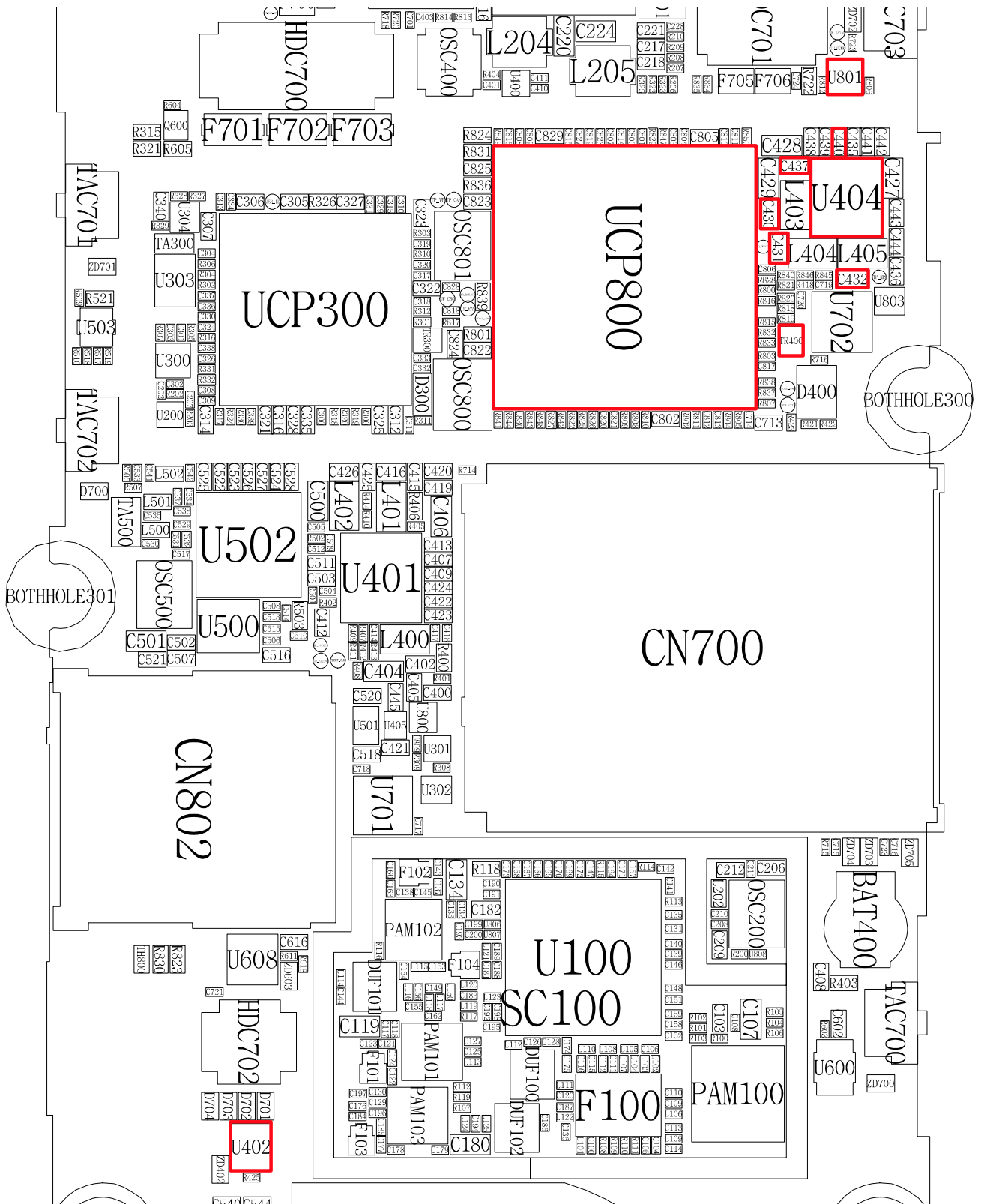


Flow Chart of Troubleshooting

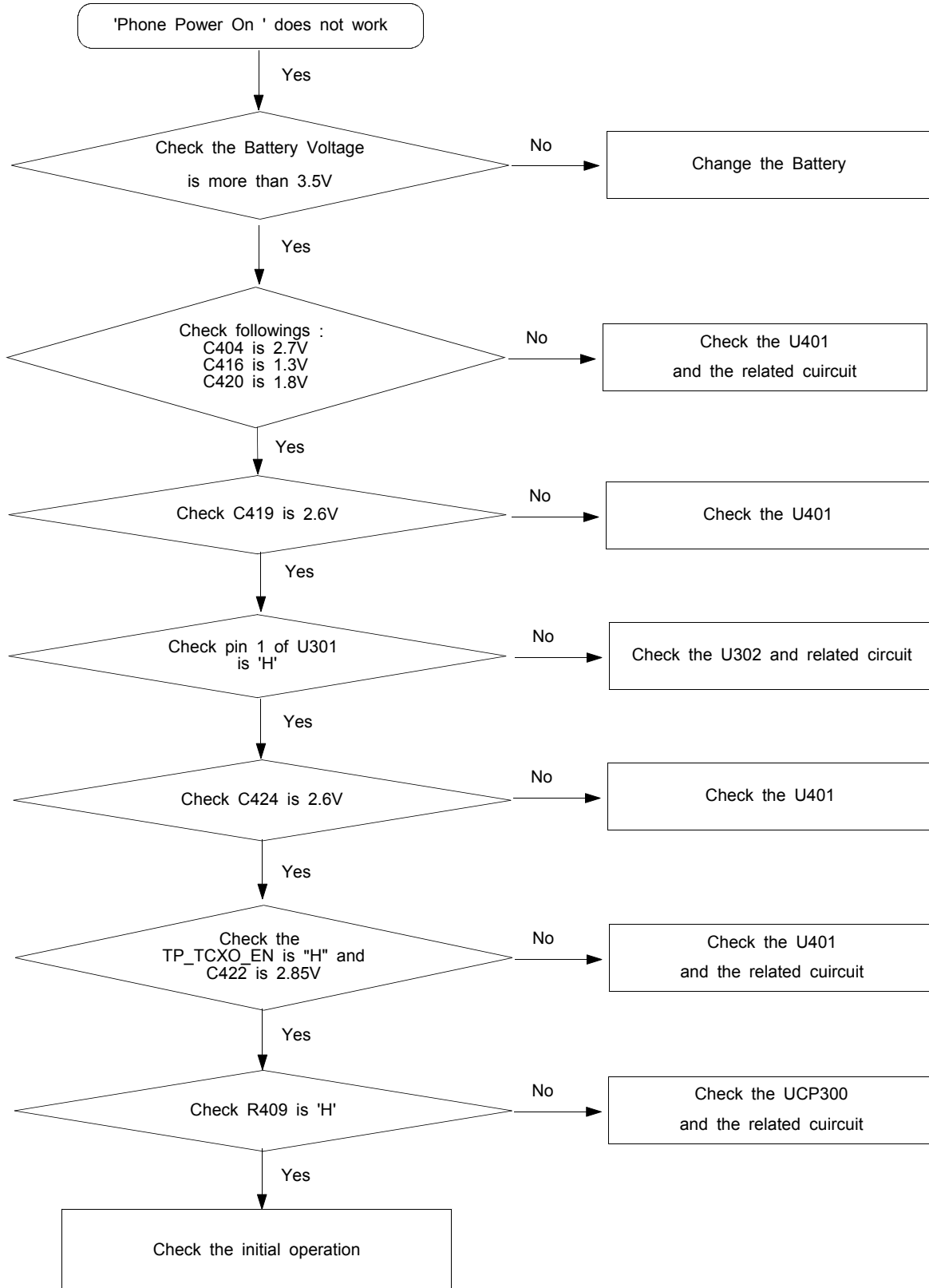


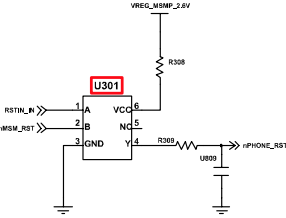
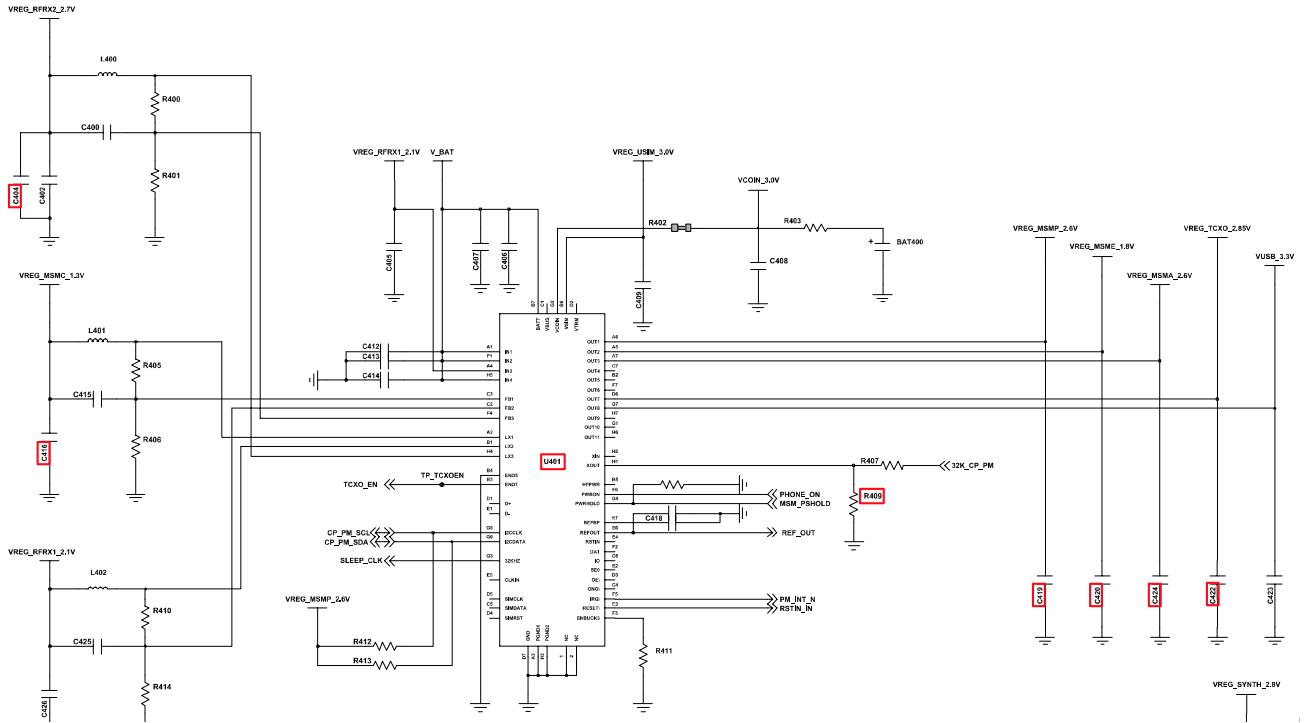
AP PMIC





9-1-2. Phone Part





PHONE RESET