

THIS DRAWING AND SPECIFICATIONS, HEREIN, ARE THE PROPERTY OF INVENTEC CORPORATION AND SHALL NOT BE REPRODUCED, COPIED, OR USED IN WHOLE OR IN PART AS THE BASIS FOR THE MANUFACTURE OR SALE OF ITEMS WITHOUT WRITTEN PERMISSION, INVENTEC CORPORATION, 2014 ALL RIGHT RESERVED.

NOTES:
 1.HSF Property:Comply iSupplier system HSF property attribute up-to-date value.

R10 REFRESH SVT

X64 2PCS

2019.01.30

21-OCT-2002		
DATE	CHANGE NO.	REV

DESIGN / DRAWER	XXX	DATE	21-OCT-2002	TITLE		
CHECK	<CHECK>	MODEL PROJECT,FUNCTION				
APPROVAL	<APPROVAL>	SIZE	A3	COLOR	CS	LOCK NUMBER
FILENAME	<FILENAME>	PCB VER	XXX	1310XXXX-DG	REV	X01
PCB PIN	BXXXXXXXXXX	SHEET 1		of 60		

INVENTEC

TABLE OF CONTENTS

PAGE	PAGE	PAGE
1. COVER PAGE	21. AUDIO JACK&CONN	44. AM LAKE Y_12 (CFG/RESERVED)
2. INDEX	22. WLAN/BT	45. AM LAKE Y_13 (CPU POWER-1)
3. BLOCK DIAGRAM	23. NGFF-M2 SSD	46. AM LAKE Y_14 (CPU POWER-2)
4. POWER CHARGER	24. NGFF-M2 SSD2	47. AM LAKE Y_15 (CPU POWER-3)
5. POWER 3V/5V	25. USB3.0/SLEEP CHARGE	48. AM LAKE Y_16 (CPU POWER-4)
6. POWER VDDQ	26. USB TYPE-C CC	49. AM LAKE Y_17 (PCH POWER IO-1)
7. POWER P1V8A	27. USB TYPE-C CONN	50. AM LAKE Y_18 (PCH POWER IO-2)
8. POWER P1V0A	28. EDP CONN	51. AM LAKE Y_19 (POWER GND)
9. POWER GT-SA CONTROLLER	29. HDMI CONN	52. LPDDR3_-1 (B)
10. POWER PVCORE	32. THERMAL SENSOR	53. LPDDR3_-2 (B)
11. POWER PVCCGT	33. AM LAKE Y_1 (MISC/JIAG)	54. LPDDR3_-3 (A)
12. POWER PVCCSA	34. AM LAKE Y_2 (LPC / SPI / SMB / CLINK)	55. LPDDR3_-4 (A)
13. ENABLE PIN	35. AM LAKE Y_3 (LPSS/ISH)	56. LPDDR3_-5 (VREF)
14. SYSTEM POWER	36. AM LAKE Y_4 (POWER MANAGEMENT)	57. LPDDR3_-6 (CAP)
15. SYSTEM POWER	37. AM LAKE Y_5 (AUDIO/SDIO)	58. LPDDR3_-7 (VREF)
16. PCB SCREW	38. AM LAKE Y_6 (CSI-2/EMMC)	60. AUDIO DB
17. TOUCHPAD CNTR / PWR BTN / LID	39. AM LAKE Y_7 (DISPLAY)	59. EMI
18. KB CONN	40. AM LAKE Y_8 (DDR CHANNEL-A)	60. SMALL BOARD IO(AUDIO JACK)
19. EC	41. AM LAKE Y_9 (DDR CHANNEL-B)	
20. AUDIO CODEC_ALC233	42. AM LAKE Y_10 (PCIe/USB/SATA)	
	43. AM LAKE Y_11 (CLOCK)	

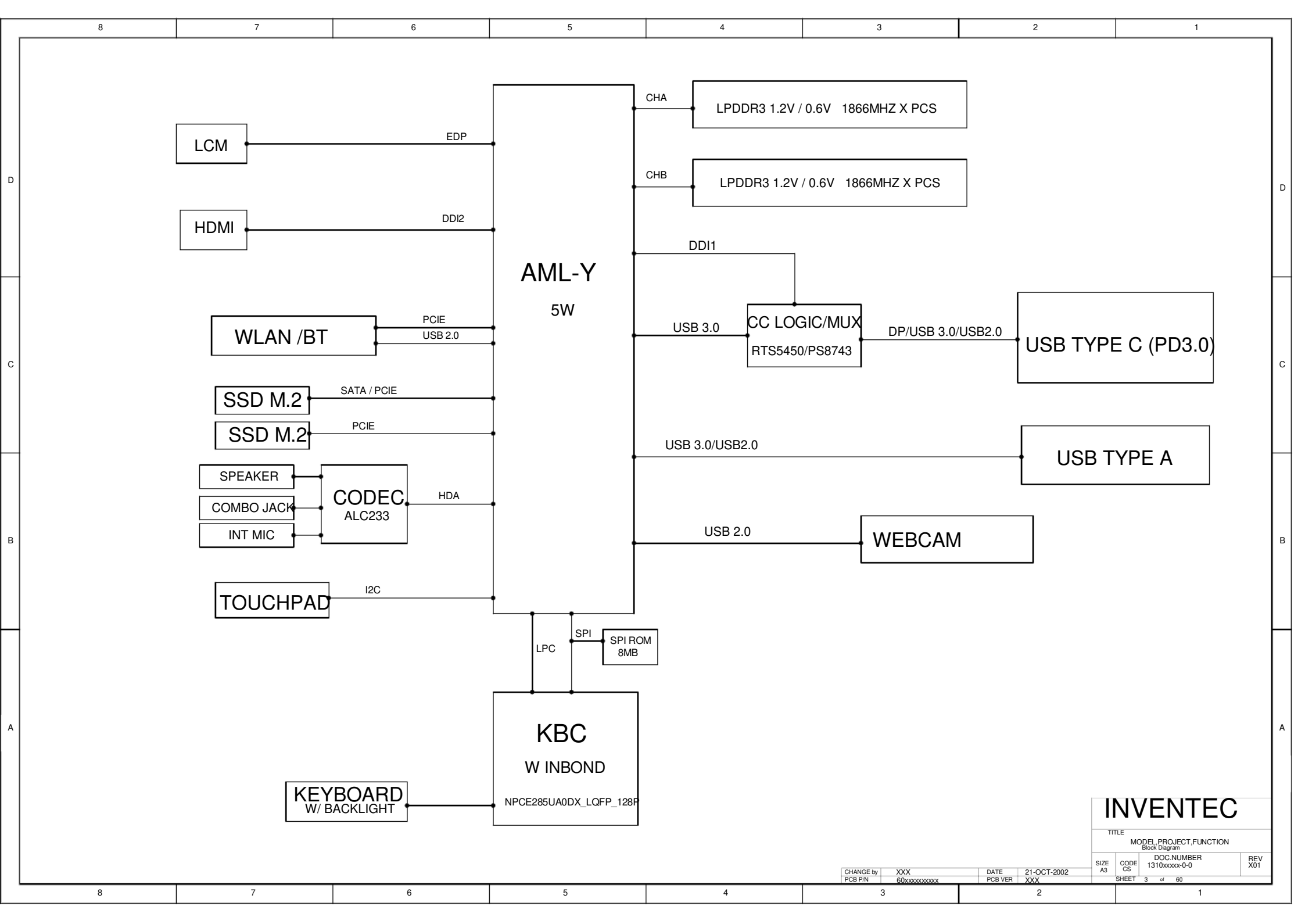
INVENTEC

TITLE
MODEL PROJECT.FUNCTION
Block Diagram

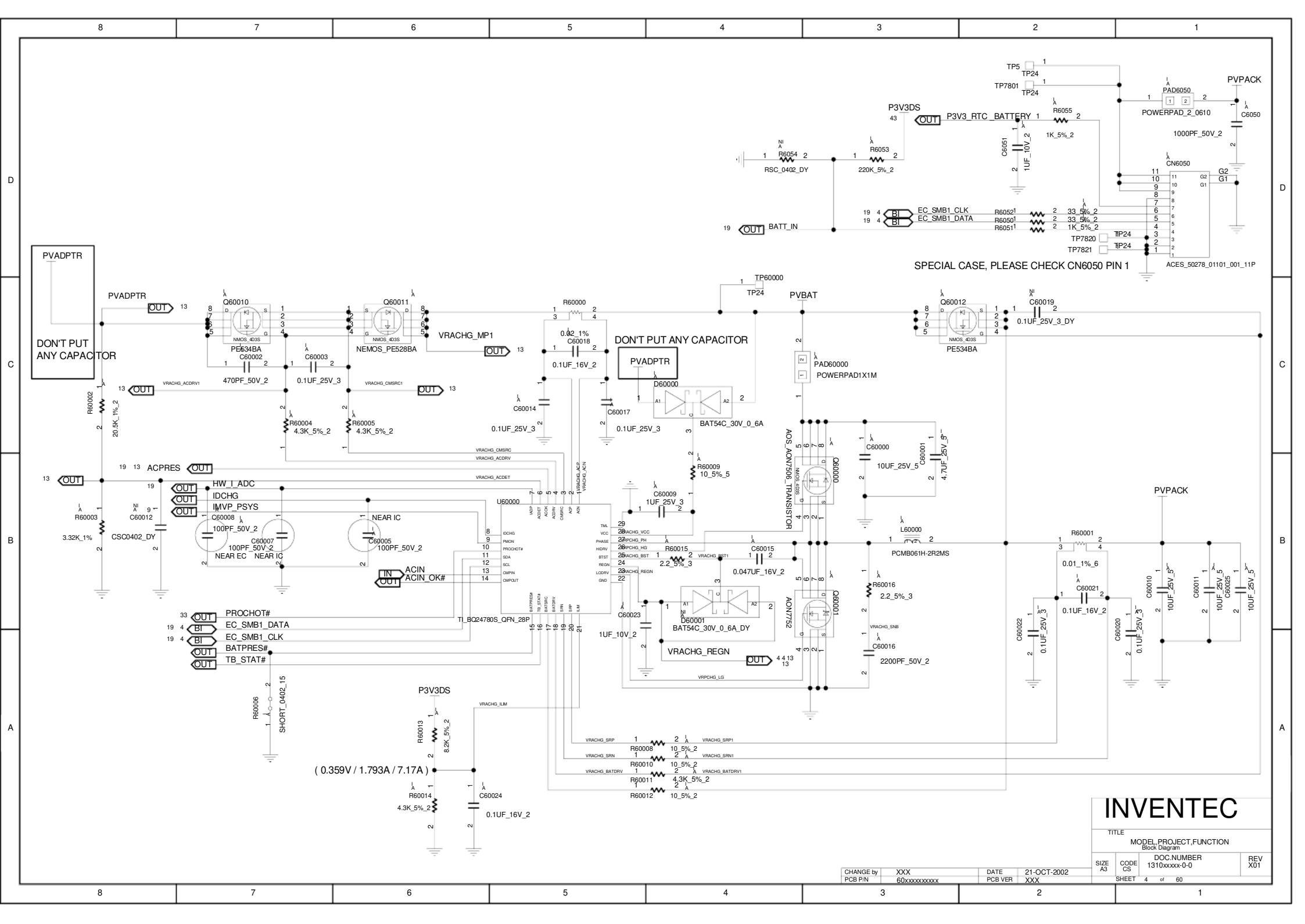
SIZE A3	CODE CS	DOC.NUMBER 1310xxxx-0-0	REV X01
------------	------------	----------------------------	------------

CHANGE BY XXX	DATE 21-OCT-2002
PCB FIN 60xxxxxxxx	PCB VER XXX

SHEET 2 of 60



INVENTEC			
TITLE MODEL PROJECT FUNCTION Block Diagram			
SIZE A3	CODE CS	DOC NUMBER 1310xxxx-0-0	REV X01
CHANGE by PCB P/N XXX 60xxxxxxxxxx		DATE PCB VER 21-OCT-2002 XXX	SHEET 3 of 60



PVADPTR
DON'T PUT ANY CAPACITOR

DON'T PUT ANY CAPACITOR

SPECIAL CASE, PLEASE CHECK CN6050 PIN 1

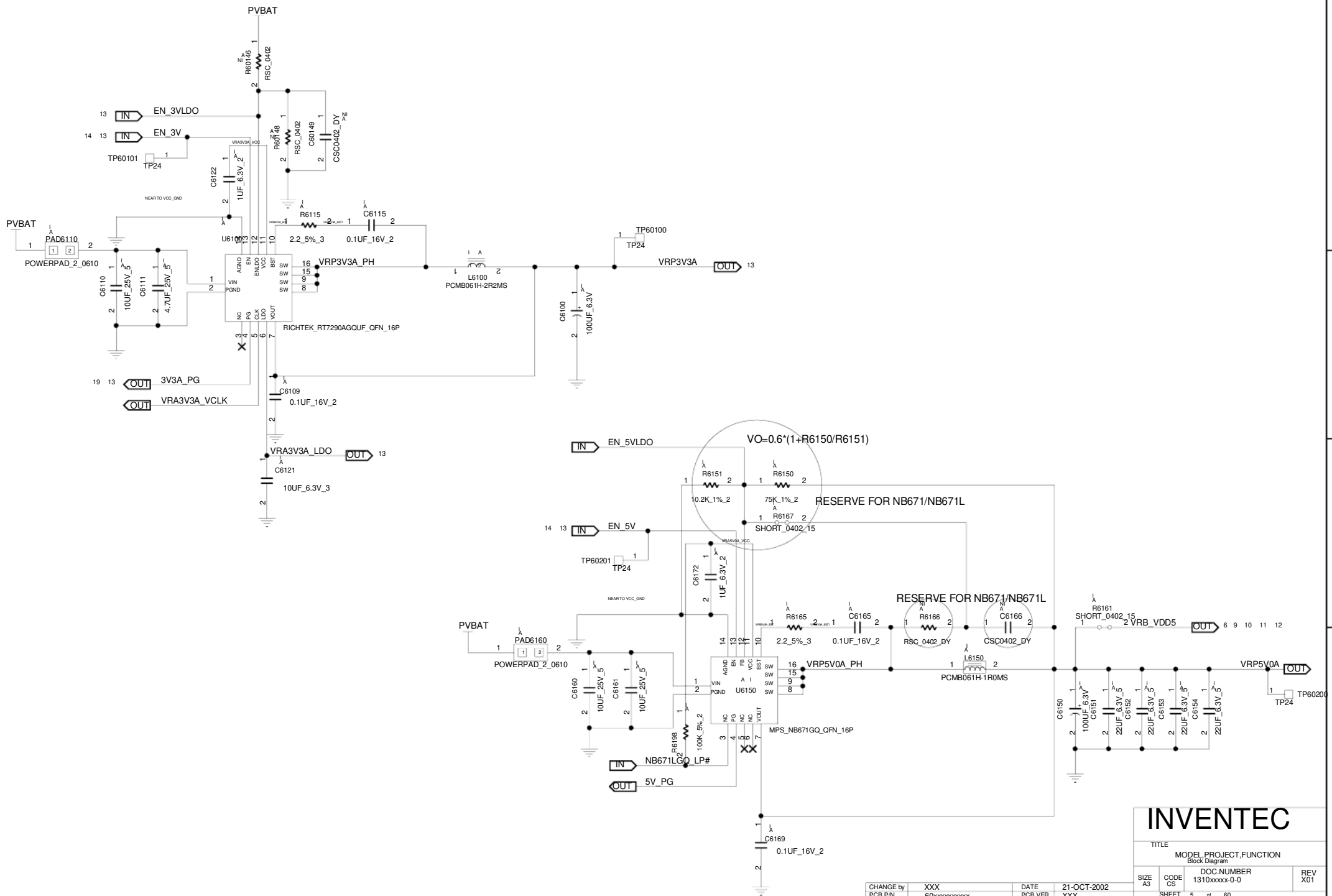
(0.359V / 1.793A / 7.17A)

INVENTEC

TITLE
Block Diagram
MODEL PROJECT FUNCTION
1310xxxx-0-0

SIZE A3 CODE CS DOC NUMBER 1310xxxx-0-0 REV X01
SHEET 4 of 60

CHANGE by XXXX DATE 21-OCT-2002
PCB P/N 60xxxxxxx PCB VER XXX



INVENTEC

TITLE
Block Diagram

MODEL PROJECT_FUNCTION
1310xxxxx-0-0

SIZE A3 CODE CS DOC NUMBER 1310xxxxx-0-0 REV X01

CHANGE by XXXX DATE 21-OCT-2002
PCB P/N 60xxxxxxxxxxx PCB VER XXXX

SHEET 5 of 60