

# Baseband Schematic

1. Contents
2. RES
3. SOC PWR1
4. SOC PWR2
5. SOC PWR3
6. SOC HS Interface
7. SOC GPIO Interface
8. SOC RF Interface
9. SOC GND & NC
10. PMU LDO
11. PMU BUCK
12. PMU MISC & BUCKBOOST
13. HI6422
14. UFS and LPDDR4
15. Battery & Fuel gauge
16. Charge Management
17. LCD Interface
18. Flash /Front CAM
19. Main CAM
20. USB
21. Main FPC
22. Codec HI6403
23. Direct Charger
24. SMART PA
25. Audio
26. Headphone
27. X-Sensor
28. SIM Card/SD
29. LED /KEY/IR
30. Test Point/Shielding

# MODEM Schematic



该文档是极速PDF编辑器生成，  
如果想去掉该提示，请访问并下载：  
<http://www.jisupdfeditor.com/>

31. RF Interface
32. APT Power
33. RF Transceiver\_0
34. RF FRONT END HB
35. RF FRONT END B42
36. RF FRONT END MB
37. RF Front End LB
38. RF Front End Switch /Main ANT
39. RF Front End Diversity
40. RF Front End Diversity
41. Reserved for CDMA Modem
42. Reserved for CDMA Modem
43. Reserved for CDMA Modem
44. Reserved for CDMA Modem
45. Reserved for CDMA Modem
46. Reserved for CDMA Modem
47. Reserved for CDMA Modem
48. Reserved for CDMA Modem
49. Reserved
50. Reserved
51. BCM43455 BB
52. BCM43455 POWER
53. Reserved
54. WALN RF0
55. WLAN RF1
56. GPS
57. NFC
58. RF Transceiver2
59. Reserved
60. ANT Tuner

The type and specification of the components refer to the BOM

					07-08-2017_09:08
				NA	2017.12.23
				ECA NO	DATE
DESIGNED	BYD	荣耀V10			
REVIEWED	BYD				
		VER	PART_NUMBER	SHEET 1 Content 9	
		A		HUAWEI TECH CO.,LTD.	

# 2.RES



该文档是极速PDF编辑器生成，  
如果想去掉该提示，请访问并下载：  
<http://www.jisupdfeditor.com/>

A

A

B

B

C

C

D

D

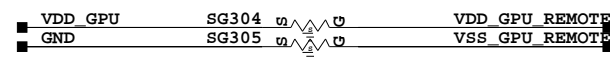
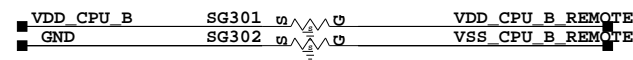
The type and specification of the components refer to the BOM

					07-08-2017_09:09
				NA	2017.12.23
				ECA NO	DATE
DESIGNED	BYD	荣耀V10			
REVIEWED	BYD				
		VER	PART_NUMBER	SHEET 2 REOF 79	
				HUAWEI TECH CO.,LTD.	

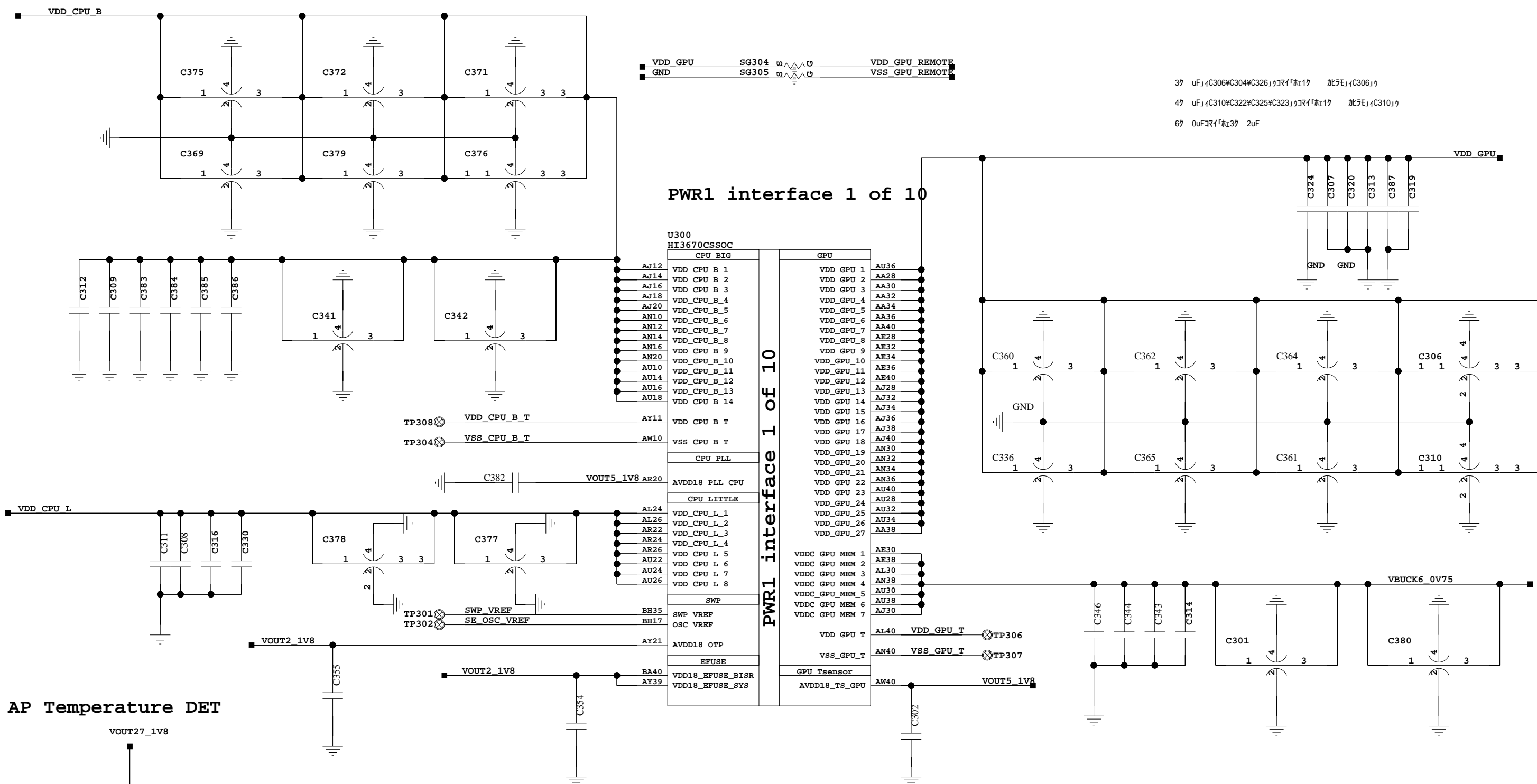
# 3.SOC PWR1



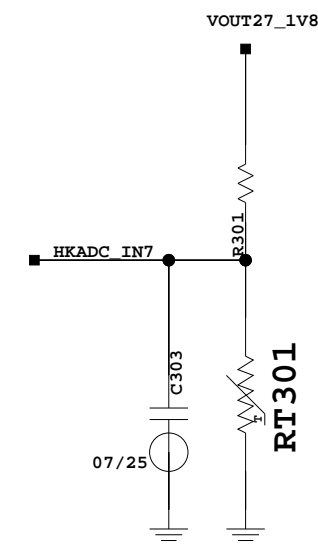
该文档是极速PDF编辑器生成，  
如果想去掉该提示，请访问并下载：  
<http://www.jisupdfeditor.com/>



- 3/ uF, C306#C304#C326, 加无, C306
- 4/ uF, C310#C322#C325#C323, 加无, C310
- 6/ 0uF, 加无, 2uF



## AP Temperature DET



The type and specification of the components refer to the BOM

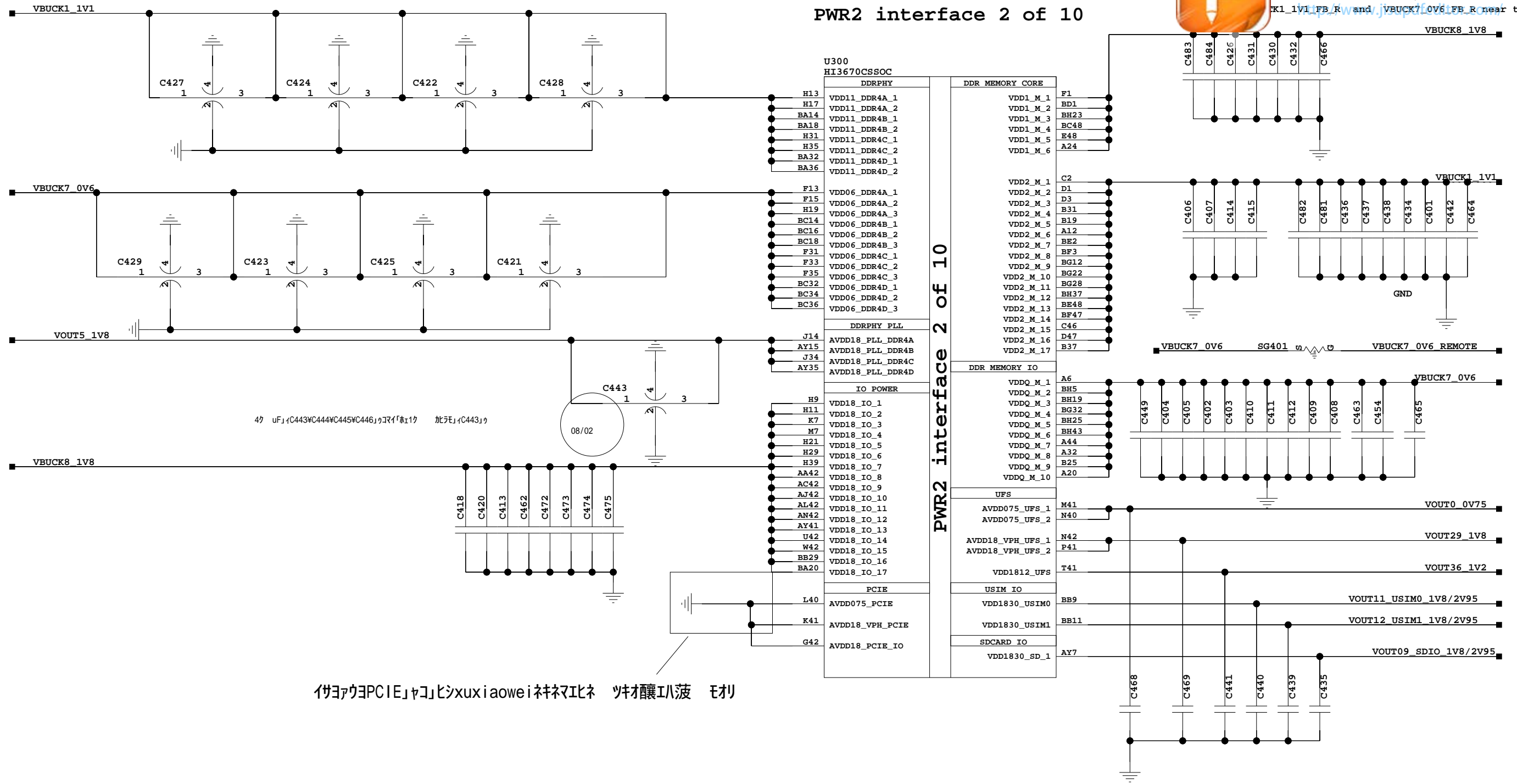
DESIGNED	BYD	荣耀V10	NA	2017.12.23
REVIEWED	BYD		ECA NO	DATE
		VER	PART_NUMBER	SHEET 3 SOC PWR1 79
		A		HUAWEI TECH CO.,LTD.

# 4.SOC PWR2



该文档是极速PDF编辑器生成，  
如果想去掉该提示，请访问并下载：  
<http://www.jypdf.com/>

PWR2 interface 2 of 10



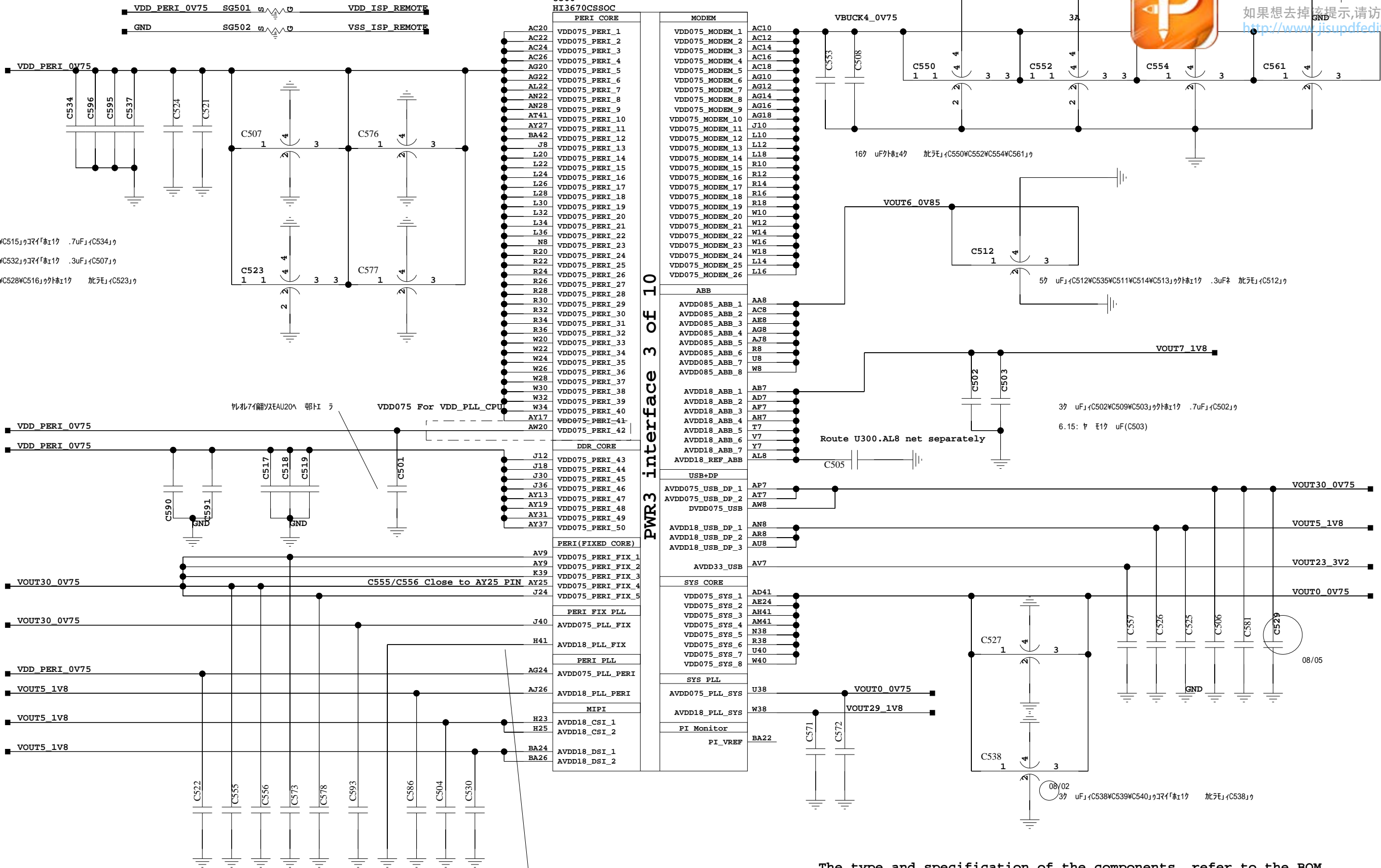
PCIEに接続する部品は、xuxiaowei社が提供している。この部品は、PCIEの信号を正確に伝達するために必要である。

The type and specification of the components refer to the BOM

				NA	2017.12.23
				ECA NO	DATE
DESIGNED	BYD	荣耀V10			
REVIEWED	BYD				
		VER	PART_NUMBER	SHEET	4 SOC PWR2 79
		A		HUAWEI TECH CO.,LTD.	

# 5.SOC PWR3

## PWR3 interface 3 of 10



该文档是极速PDF编辑器生成，  
如果想去掉该提示，请访问并下载：  
<http://www.jisupdfeditor.com/>

付ヨアケPCIE「ヤ」コ」ヒシxuxiaowei 衽衽比衽 衽衽衽衽衽 衽衽

The type and specification of the components refer to the BOM

DESIGNED	BYD	荣耀V10	VER	PART_NUMBER	SHEET	5 SOOPWR39
REVIEWED	BYD		A		HUAWEI TECH CO.,LTD.	
					NA	2017.12.23
					ECA NO	DATE