

X1757/MLB

LAST_MODIFICATION= Tue May 5 21:26:43 2020

PAGE	CSA	CONTENTS	SYNC	DATE
1	1	Table of Contents	eli	08/27/2019
2	2	BOM Configuration		06/06/2019
3	3	BOM Configuration		06/06/2019
4	4	PD Parts		06/06/2019
5	5	SOC: Support	ref_soc_h13g	05/04/2020
6	6	SOC: CIO, USB, RESETS, CLOCKS, SWD	ref_soc_h13g	05/04/2020
7	7	SOC: AP I/Os	ref_soc_h13g	05/04/2020
8	8	SOC: LPDP & MIPI	ref_soc_h13g	05/04/2020
9	9	SOC: PCIE	ref_soc_h13g	05/04/2020
10	10	SOC: AOP	ref_soc_h13g	05/04/2020
11	11	SOC: POWER (DDR, SRAM)	ref_soc_h13g	05/04/2020
12	12	SOC: POWER (IO)	ref_soc_h13g	05/04/2020
13	13	SOC: POWER (SOC, CPU, GPU)	ref_soc_h13g	05/04/2020
14	14	SOC: POWER (SRAM)	ref_soc_h13g	05/04/2020
15	15	SOC: POWER (Fixed, PLL's, Filtered)	ref_soc_h13g	05/04/2020
16	16	SOC: GND	ref_soc_h13g	05/04/2020
17	17	SOC: GND-2	ref_soc_h13g	05/04/2020
18	18	SOC: DESENSE CAPS	ref_soc_h13g	10/08/2019
19	19	SPI NOR	ref_soc_h13g	05/04/2020
20	21	SOC: Project Support		
21	50	Secure Element	ref_se_ceres	03/29/2020
22	51	BMU Connector, Btn Logic	tga_140	05/31/2019
23	52	PBUS SUPPLY & BATTERY CHARGER	ref_charger_suona	05/02/2020
24	53	BATTERY CHARGER SUPPORT	ref_charger_suona	05/02/2020
25	57	POWER: 3V8 AON (1/2)	ref_vr_iceman	04/20/2020
26	58	POWER: 3V8 AON (2/2)	ref_vr_iceman	04/20/2020
27	59	POWER: 3V8 AON SUPPORT	T585_REF_V8_ICEMAN_0.16/01/2019	
28	77	PMU: SLAVE INPUT PWR & BUCKS	ref_pmu_sera_simetra	04/28/2020
29	78	PMU: SLAVE LDO	ref_pmu_sera_simetra	04/28/2020
30	79	PMU: SLAVE GPIO & GND	ref_pmu_sera_simetra	04/28/2020
31	80	PMU: Slave extra		
32	81	PMU: MASTER INPUT PWR & BUCKS	ref_pmu_sera_simetra	04/28/2020
33	82	PMU: MASTER BUCKS & GND	ref_pmu_sera_simetra	04/28/2020
34	83	PMU: MASTER LDO & GPIO	ref_pmu_sera_simetra	04/28/2020
35	84	PMU: Master extra		
36	121	Power: LDOs	tga_140	05/31/2019
37	122	POWER: 5V, 3V3 Support		
38	123	POWER: 5V S2	ref_vr_5v_1t8642s	04/20/2020
39	127	POWER: 3V3 S2	ref_vr_3v3_tps62135	01/02/2020
40	128	Power: Load Switches	tga_140	05/31/2019
41	130	I2C: SIO, DISP	eli	10/15/2019
42	131	I2C: ISP, AOP	T668	08/01/2019
43	132	I2C: SMC	T668	08/01/2019
44	135	SENSORS: POWER HIGH SIDE (1/2)	t668	08/27/2019
45	136	SENSORS: POWER HIGH SIDE (2/2)	t668	08/27/2019

LAST_MODIFICATION= Tue May 5 21:26:43 2020

PAGE	CSA	CONTENTS	SYNC	DATE
46	138	SENSORS: POWER LOW SIDE (1/2)	t668	08/27/2019
47	140	SENSORS: POWER SUPPORT	t668	08/27/2019
48	141	Sensors: Thermal		
49	144	SENSORS: MOTION	t668	09/27/2019
50	149	RIO Connector	tga_140	05/31/2019
51	150	USB-C: High Speed ATC0	ref_usbc_ace2	04/24/2020
52	151	USB-C: High Speed ATC1	ref_usbc_ace2	04/24/2020
53	152	USB-C: Support 1 ATC01	ref_usbc_ace2	04/24/2020
54	153	USB-C: Support 2 ATC01	ref_usbc_ace2	04/24/2020
55	154	USB-C: Port Controller ATC0	ref_usbc_ace2	04/24/2020
56	155	USB-C: Port Controller ATC1	ref_usbc_ace2	04/24/2020
57	156	USB-C: Connector(s)	ref_usbc_ace2	09/26/2019
58	157	USB-C: HS Level Shifters	ref_usbc_ace2	04/24/2020
59	159	USB-C: Project Specific		
60	200	WIFI/BT: MODULE	ref_wireless_rasputin	04/28/2020
61	201	WIFI/BT: ANTENNA and GND	ref_wireless_rasputin	04/28/2020
62	220	STORAGE: SSD0 S5E <0>	ref_storage_s5e	05/02/2020
63	221	STORAGE: SSD0 S5E <1>	ref_storage_s5e	05/02/2020
64	224	STORAGE: NON OCARINA SUPPORT	ref_storage_non_ocarina	04/24/2020
65	230	STORAGE: SSD Support	T668	08/01/2019
66	231	SECDIS: MIPI MUX	ref_secdis_mipimux	10/07/2019
67	236	eDP Display Connector	tga_140	05/31/2019
68	237	DISPLAY POWER SEQUENCER	ref_panelpwr_bnj	05/02/2020
69	238	BEN: CONTROLLER	ref_blc_ben	11/20/2019
70	239	BEN: KEYBOARD	ref_blc_ben	11/20/2019
71	242	SECDIS: AMR	ref_secdis_amr	10/21/2019
72	243	SECDIS: FPGA	ref_secdis_sak	04/28/2020
73	244	Audio Level Shifters	ref_spkramp_tas5770	11/18/2019
74	246	AUDIO AMPLIFIERS (1/2)	ref_spkramp_tas5770	04/20/2020
75	248	Audio Connectors	tga_140	05/31/2019
76	253	Trackpad Support	ref_ipd_oregano	08/01/2019
77	254	IPD Combined Connector	card_ipd_oregano	08/01/2019
78	260	Power Aliases - 1	tga_140	05/31/2019
79	261	Power Aliases - 2	tga_140	05/31/2019
80	263	Signal Aliases 1		
81	264	Signal Aliases 2		
82	270	DEBUG	tga_140	05/31/2019
83	281	Desense		
84	500	17.2 RULES	eli	10/15/2019
85	501	17.2 PHYSICAL CSETS	eli	10/15/2019
86	502	17.2 SPACING CSETS, ISO	eli	10/15/2019
87	503	17.2 SPACING CSETS, CLASS-CLASS	eli	10/15/2019
88	601	BOM OPTION TABLES	t668	11/01/2019
89	602	BOM GROUPS	t668	11/01/2019
90	610	BOM Alternates		

DRAWING NUMBER		051-05392		SIZE	D
REVISION		4.0.0			
BRANCH		evt-1			
PAGE		1 OF 801			
SHEET		1 OF 92			

NOTICE OF PROPRIETARY PROPERTY:
 THE INFORMATION CONTAINED HEREIN IS THE PROPRIETARY PROPERTY OF APPLE INC. THE POSSESSOR AGREES TO THE FOLLOWING:
 I TO MAINTAIN THIS DOCUMENT IN CONFIDENCE
 II NOT TO REPRODUCE OR COPY IT
 III NOT TO REVEAL OR PUBLISH IT IN WHOLE OR PART
 IV ALL RIGHTS RESERVED

A Module Parts

TBT Burnside Bridge

PART#	QTY	DESCRIPTION	REFERENCE DESIGNATOR(S)	CRITICAL	BOM OPTION
33800561	2	IC,TBT,BBR,324877,FQ,AL,8GA105	UF000,UF100	CRITICAL	TBT_BB:PRQA1

Ace2

PART#	QTY	DESCRIPTION	REFERENCE DESIGNATOR(S)	CRITICAL	BOM OPTION
353002158	2	IC,CE2317,ACE2,80,208,FRM,SR,W/30,8GA133	UF400,UF500	CRITICAL	ACE2:B2_BGA

eUSB Level Shifter

PART#	QTY	DESCRIPTION	REFERENCE DESIGNATOR(S)	CRITICAL	BOM OPTION
998-20641	2	IC,F9807,C38224,80,079-6,C3P25	UF700,UF750	CRITICAL	EUSB_IS:B0_OTP6
33800628	2	IC,F9807,C38228,80,080,079-6,C3P25	UF700,UF750	CRITICAL	EUSB_IS:B0_LSB1_OTP6

Secure Element

PART#	QTY	DESCRIPTION	REFERENCE DESIGNATOR(S)	CRITICAL	BOM OPTION
998-19915	1	IC,80210V,81,C988,DEV,RY,SMV7,MC2981	U5000	CRITICAL	SE:DEV_SM_V7
998-21255	1	IC,80210V,81,C988,DEV,SM-H3,MC2981	U5000	CRITICAL	SE:DEV_SM_H3
33800630	1	IC,80210V,81,C988,PROD,VER-04,MC2981	U5000	CRITICAL	SE:PROD_SM_MU

B Programmable Parts

TBT ROM

PART#	QTY	DESCRIPTION	REFERENCE DESIGNATOR(S)	CRITICAL	BOM OPTION	
33500133	1	IC,SPI,SERIAL_FLASH,8MBITS,3.0V,US288	UF260	CRITICAL	TBT_ROM:BLANK	
		PART NUMBER	ALTERNATE FOR PART NUMBER	BOM OPTION	REF DES	COMMENTS:
		33500232	33500133	TBT_ROM:BLANK	UF260	rdar://problem/50598337
341S01617	1	ROM,TBT/ACE (V31.5) PROTO-1,X1757	UF260	CRITICAL	TBT_ROM:PP0	
341S01676	1	ROM,TBT/ACE (V2.45.0.7) PROTO-1,X1757	UF260	CRITICAL	TBT_ROM:PP1	

SOC ROM

PART#	QTY	DESCRIPTION	REFERENCE DESIGNATOR(S)	CRITICAL	BOM OPTION	
998-20613	1	IC,SPI,SERIAL_FLASH,64MBIT,1.8V,AS396	U1970	CRITICAL	SOC_ROM:BLANK_ORIG	
33500494	1	IC,SPI,SERIAL_FLASH,64MBIT,1.8V,433,0288	U1970	CRITICAL	SOC_ROM:BLANK	
		PART NUMBER	ALTERNATE FOR PART NUMBER	BOM OPTION	REF DES	COMMENTS:
		33500500	33500494	SOC_ROM:BLANK	U1970	rdar://problem/59964804

DRAWING NUMBER		051-05392		SIZE	D
REVISION		4.0.0			
BRANCH		evt-1			
PAGE		2 OF 801			
SHEET		2 OF 92			

NOTICE OF PROPRIETARY PROPERTY:
 THE INFORMATION CONTAINED HEREIN IS THE PROPRIETARY PROPERTY OF APPLE INC. THE POSSESSOR AGREES TO THE FOLLOWING:
 I TO MAINTAIN THIS DOCUMENT IN CONFIDENCE
 II NOT TO REPRODUCE OR COPY IT
 III NOT TO REVEAL OR PUBLISH IT IN WHOLE OR PART
 IV ALL RIGHTS RESERVED

A BOM Groups

BOM GROUP	BOM OPTIONS
MLB_COMMON	SCHM,PCBF,ALTERNATE,COMMON,OWN_IC,MLB_PROGPARTS,MLB_USBC,MLB_POWER,MLB_WIRELESS,MLB_MECH,MLB_MISC,MLB_BLC,EVT,SECDIS_EXT,CLK,DMIC,CLK_100MH
MLB_USBC	TBT_BB:PRQA1,ACE2:B2_BGA,UPC_ATCRIMR_INT,UPC_EUSBLS_INT,EUSB_LS:B0_LSB1_OTP6
MLB_PROGPARTS	WFBT_ROM:BLANK,SOC_ROM:BLANK,TBT_ROM:PP1,SE:PROD_SW_MU
MLB_POWER	PBUS_3S,MPMU_IC:B0,SFMU_IC:A1,P3V8AON_IC:A1_R0B0
MLB_WIRELESS	WLBT:ES6_3_M
MLB_MECH	SHLD_CAN_BSB:EVT,SHLD_CAN_ICE:EVT
MLB_MISC	BOARD_ID,SYSDET:FET,BOOT_CONFIG2,LOADISNS
MLB_DEV	DEVELOPMENT,WLBT_DBG,USBC_DBG
MLB_BLC	BLC_BEN_IC:V7,BLC_LEDS_PER_STRING:16,BLC_5V_CAP:4P7_UF,BLC_5V_SERIES:10_OHM,BLC_KBD_BOOST_USED:YES

PART#	QTY	DESCRIPTION	REFERENCE DESIGNATOR(S)	CRITICAL	BOM OPTION
685-00339	1	COMMON PARTS,MLB,X1757	CBOM	CRITICAL	COMMON_PARTS_BOM
685-00377	1	PARTS_SSEINRND1,MLB,X1757	PIBOM	CRITICAL	PARTS_SSEINRND1
985-01176	1	DEV PARTS,MLB,X1757	DEV1	CRITICAL	DEV_PARTS_BOM
051-05392	1	SCHM,MLB,X1757	SCHM	CRITICAL	SCHM
820-02016	1	PCBF,MLB,X1757	PCBF	CRITICAL	PCBF

B Build Specific Groups


BOM GROUP	BOM OPTIONS	
BOARD_ID	BOARDID1,BOARDID2	Pull-ups: 0x0000110
PROTO0	BOARD_REV3,BOARD_REV2,BOARD_REV1,BOARD_REV0	Pull-downs: 0x0000
PROTO1	BOARD_REV3,BOARD_REV2,BOARD_REV1	Pull-downs: 0x0001
EVT	BOARD_REV3,BOARD_REV2,BOARD_REV0	Pull-downs: 0x0002

C DC/DC BOM Groups

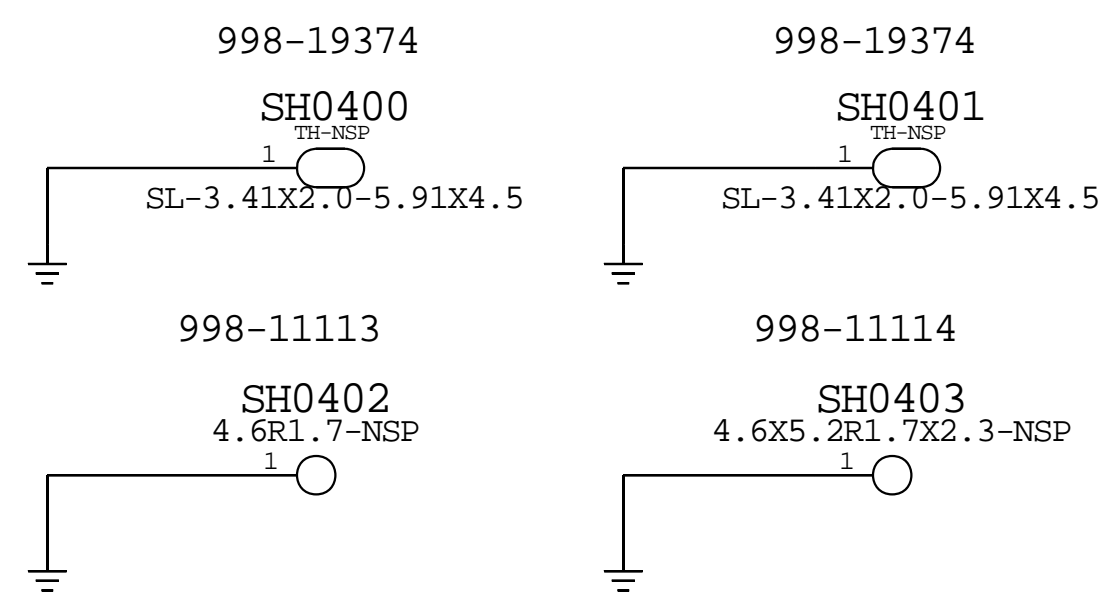
BOM GROUP	BOM OPTIONS
DCDC_COMMON	SCHM,PCBF,COMMON,DCDC_USBC,MLB_POWER,MLB_MECH,MLB_MISC,MLB_BLC,EVT
DCDC_USBC	UPC_ATCRIMR_INT,UPC_EUSBLS_INT

D Reference Design Pack Options

PACK_OPTIONS TO INCLUDE IN NETLIST	PACK_OPTIONS TO INCLUDE IN NETLIST	PACK_OPTIONS TO INCLUDE IN NETLIST	PACK_OPTIONS TO INCLUDE IN NETLIST	PACK_OPTIONS TO INCLUDE IN NETLIST
USBC_SPI_UPCO	5V_S2_PBUS-D12	PRGD_SECDIS	SUNWAY	CHGR_TP
USBC_DEBUG_UPCO	3V3_S2_PBUS-D2	JTAG_SECDIS:NO	WLBT_DBG_CONN	CHGR_TP_BOT
USBC01_VRSV_LOCAL_NO	3V8_AON_PBUS-B12	PROTO_PULLDOWN_SECDIS	SPKRAMP_A	3V8_EXT_DIODE
USBC_LAPTOP	3V8_AON_I2C-DEV	80UM_STEN	PORTABLE	
NO_DFR	NO_AMR_INTERPOSER_LEFT	INTERNAL_DISPLAY	SMALL_NCR	
FTCNM	NO_AMR_INTERPOSER_RIGHT	CHGR_40W	SPKRAMP_LVL_SON	
HAS_LID	PKGS:SMALL_PITCH			
	ACE2_SS_CAP			

PAGE TITLE		DRAWING NUMBER		SIZE
BOM Configuration		051-05392		D
 Apple Inc.		REVISION		4.0.0
NOTICE OF PROPRIETARY PROPERTY: THE INFORMATION CONTAINED HEREIN IS THE PROPRIETARY PROPERTY OF APPLE INC. THE POSSESSOR AGREES TO THE FOLLOWING: I TO MAINTAIN THIS DOCUMENT IN CONFIDENCE II NOT TO REPRODUCE OR COPY IT III NOT TO REVEAL OR PUBLISH IT IN WHOLE OR PART IV ALL RIGHTS RESERVED		BRANCH		evt-1
		PAGE		3 OF 801
		SHEET		3 OF 92

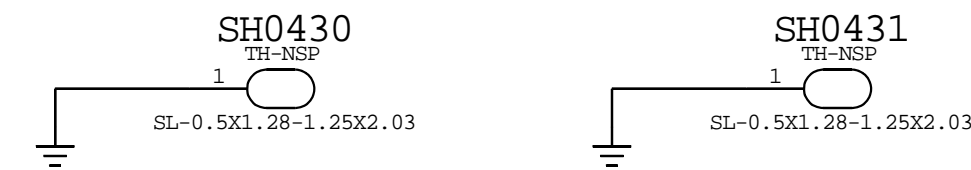
A Mounting Holes



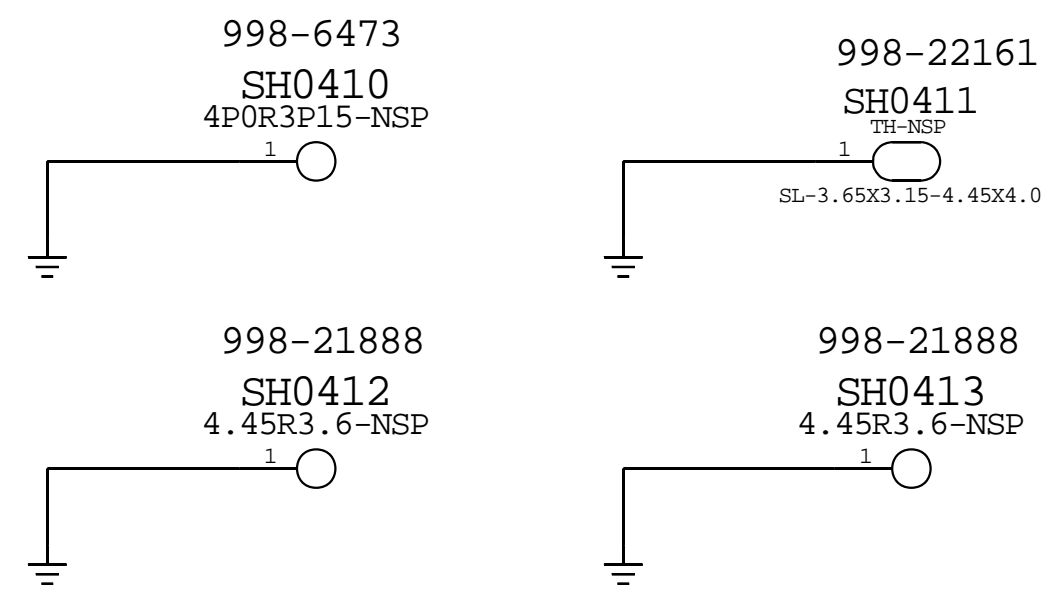
D Burnside Bridge Shield Can

PART NUMBER	QTY	DESCRIPTION	REFERENCE DES	CRITICAL	BOM OPTION
806-19070	1	SHIELD CAN, BURNSIDE BRIDGE, X1419	SHLD1	CRITICAL	SHLD_CAN_BSB
806-26240	1	SHIELD CAN, BURNSIDE BRIDGE, X1739	SHLD1	CRITICAL	SHLD_CAN_BSB-EVT

Plated slots for shield can



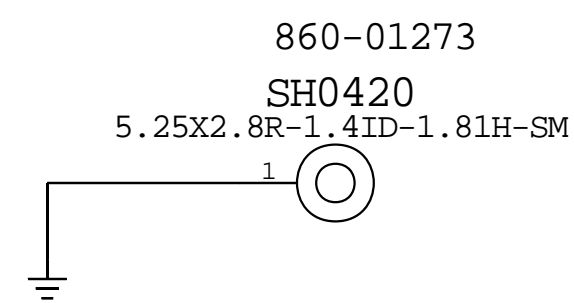
B Heatsink Mounting Holes



E Sled, Thermal Module

PART NUMBER	QTY	DESCRIPTION	REFERENCE DES	CRITICAL	BOM OPTION
806-25230	2	SLED, SOLDER, X1757	SLD1, SLD2	CRITICAL	

C Antenna Cowling Bosses



F Inductor Shield Fence

PART NUMBER	QTY	DESCRIPTION	REFERENCE DES	CRITICAL	BOM OPTION
806-27192	1	SHIELD FENCE, ICEMAN, INDUCTORS, X1739	SHLD2	CRITICAL	SHLD_CAN_ICE
806-27475	1	SHIELD FENCE, ICEMAN, INDUCTORS, X1739	SHLD2	CRITICAL	SHLD_CAN_ICE-EVT

Plated slots for shield can

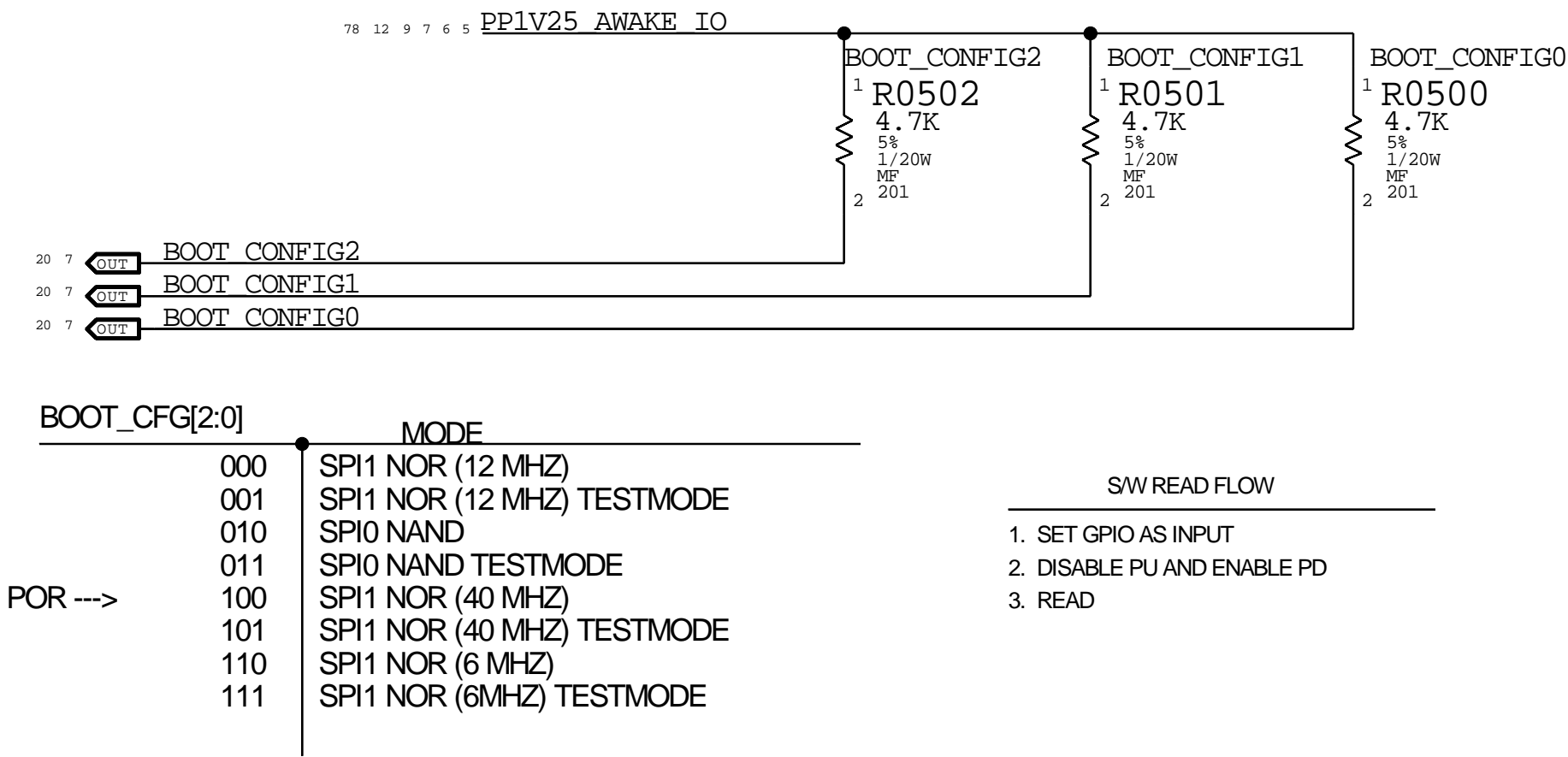


DRAWING NUMBER		051-05392		SIZE	D
REVISION		4.0.0			
BRANCH		evt-1			
PAGE		4 OF 801			
SHEET		4 OF 92			

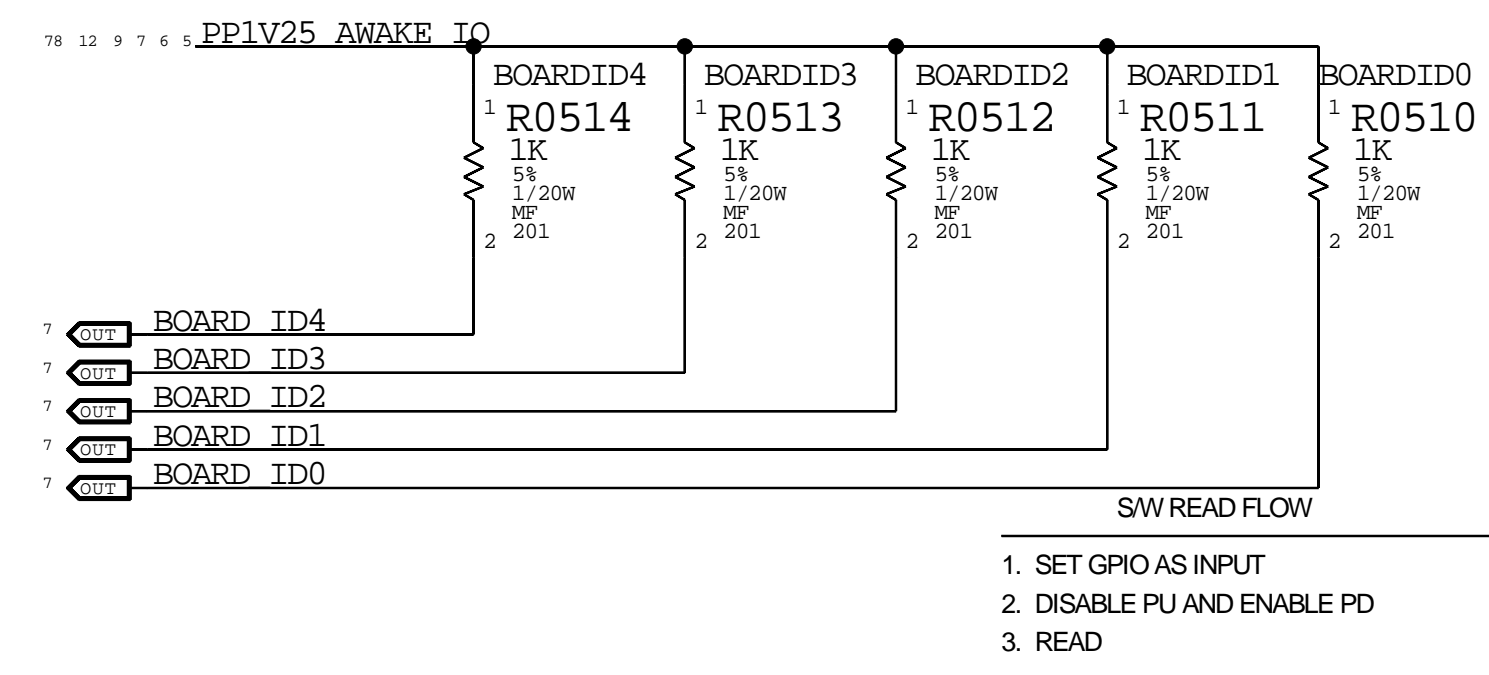
NOTICE OF PROPRIETARY PROPERTY:
THE INFORMATION CONTAINED HEREIN IS THE PROPRIETARY PROPERTY OF APPLE INC. THE POSSESSOR AGREES TO THE FOLLOWING:
I TO MAINTAIN THIS DOCUMENT IN CONFIDENCE
II NOT TO REPRODUCE OR COPY IT
III NOT TO REVEAL OR PUBLISH IT IN WHOLE OR PART
IV ALL RIGHTS RESERVED

OK2INTEGRATE

BOOT CONFIG ID

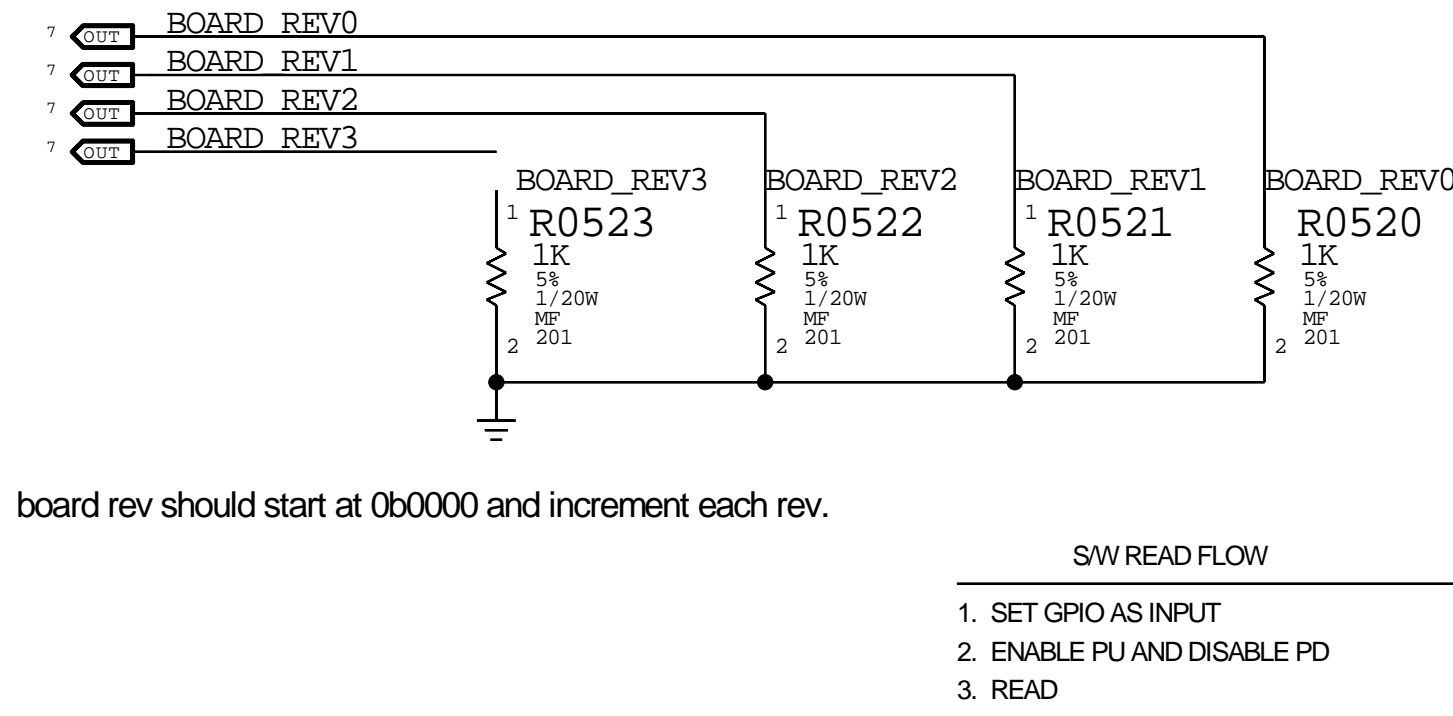


BOARD ID

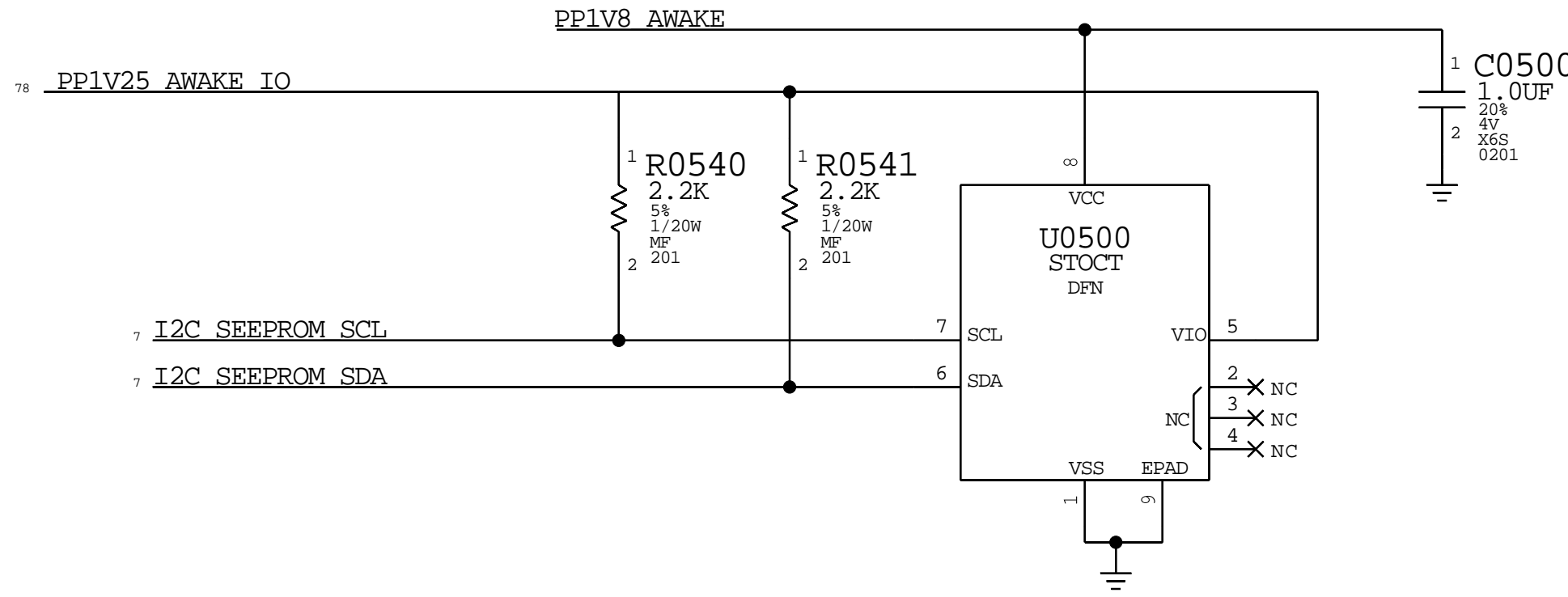
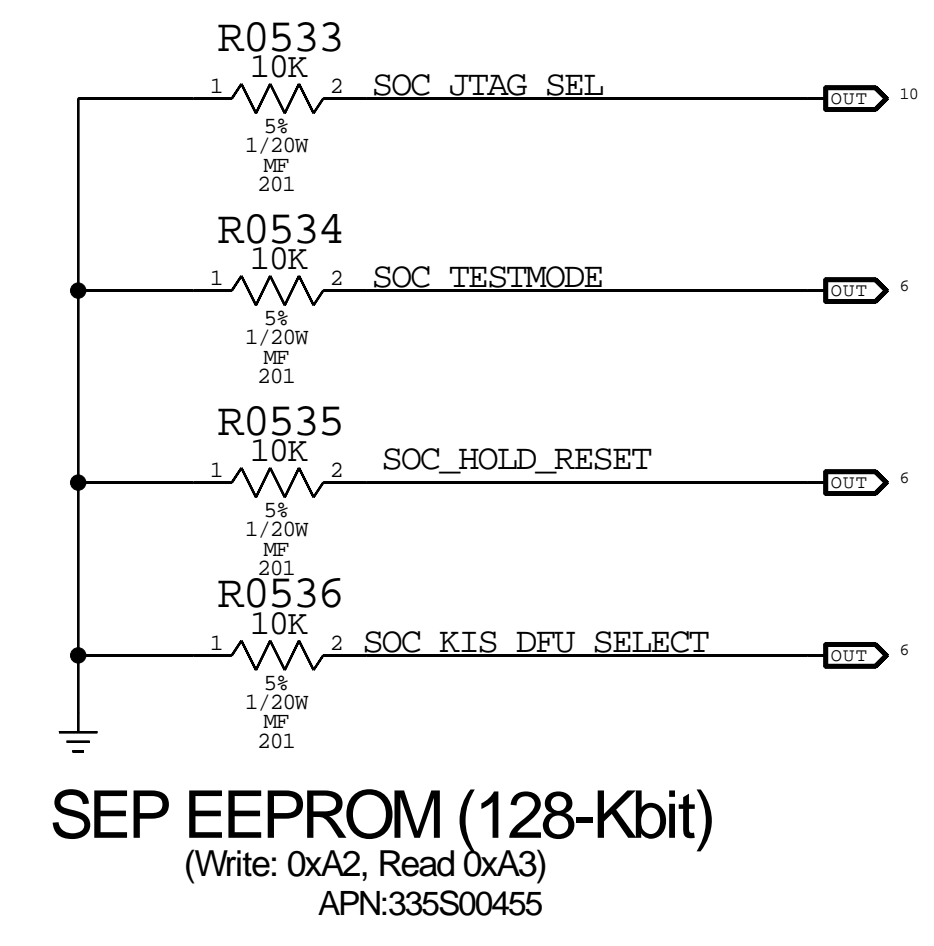


BOARD REVISION

NOTE: STUFFING RESISTOR MEANS 0



board rev should start at 0b0000 and increment each rev.



OCELOT I2C pulls

PIN DELAY MAPPING FILE	
REFERENCE DESIGNATOR	FILE DELAY CSV FILE NAME
U0600	TGA_PINDELAY_2020_03_26.csv

PAGE TITLE		SOC: Support	
DRAWING NUMBER	051-05392	SIZE	D
	REVISION		4.0.0
NOTICE OF PROPRIETARY PROPERTY:		BRANCH	evt-1
THE INFORMATION CONTAINED HEREIN IS THE PROPRIETARY PROPERTY OF APPLE INC. THE POSSESSOR AGREES TO THE FOLLOWING:		PAGE	5 OF 801
I. TO MAINTAIN THIS DOCUMENT IN CONFIDENCE		SHEET	5 OF 92
II. NOT TO REPRODUCE OR COPY IT			
III. NOT TO REVEAL OR PUBLISH IT IN WHOLE OR PART			
IV. ALL RIGHTS RESERVED			