

Baseband Schematic

1. Contents
2. Block Diagramm
3. SOC PWR1
4. SOC PWR2
5. SOC PWR3
6. SOC HS Interface
7. SOC GPIO Interface
8. SOC RF Interface
9. SOC GND
10. PMU LDO
11. PMU BUCK/CODEC
12. PMU MISC
13. HI6422
14. eMMC and DDR3
15. Battery and USB ID
16. Charger and LCD Power
17. LCD Interface
18. Camera MIPI SWITCH
19. Flash LED
20. Camera Interface
21. ISP Reserved
22. Codec HI6402 Reserved
23. Audio RCV/MIC
24. Headphone
25. Smart PA Resereved
26. X-Sensor
27. NFC Reserved
28. SIM/SD Card
29. FPC Interface
30. Test Points/Shielding

MODEM Schematic

31. RF Interface
32. RF Transceiver0
33. APT Power
34. RF Power System
35. UHB PA
36. MMB PA
37. TRX B1/2/3/5/7/8
38. TRX B34/38/39/40/41
39. PRX B34/39/41/38
40. MAIN_ANT0_SWITCH
41. DIV_ANT1_SWITCH
42. DRX B1/3/7/8/BC0
43. DRX B38/39/40/41
44. Reserved
45. Reserved
46. Reserved
47. Reserved
48. Reserved
49. Reserved
50. HI1102 Power
51. HI1102 RF_FrontEnd_2GHz
52. HI1102 BB
53. HI1102 RF_FrontEnd_5GHz
54. Reserved
55. Ant Match

The type and specification of the components refer to the BOM

				05-07-2016_15:17
				2016-05-17
			ECA NO	DATE
DESIGNED	HEQUANTAO 00278224	HL1BLNM		03023VXH_SCHZH
REVIEWED	LIZHAO 00213340	VER	PART_NUMBER	SHEET 1_Content55
		E	03023VXH	HUAWEI TECH CO.,LTD.

2. Block Diagram

A

A

B

B

C

C

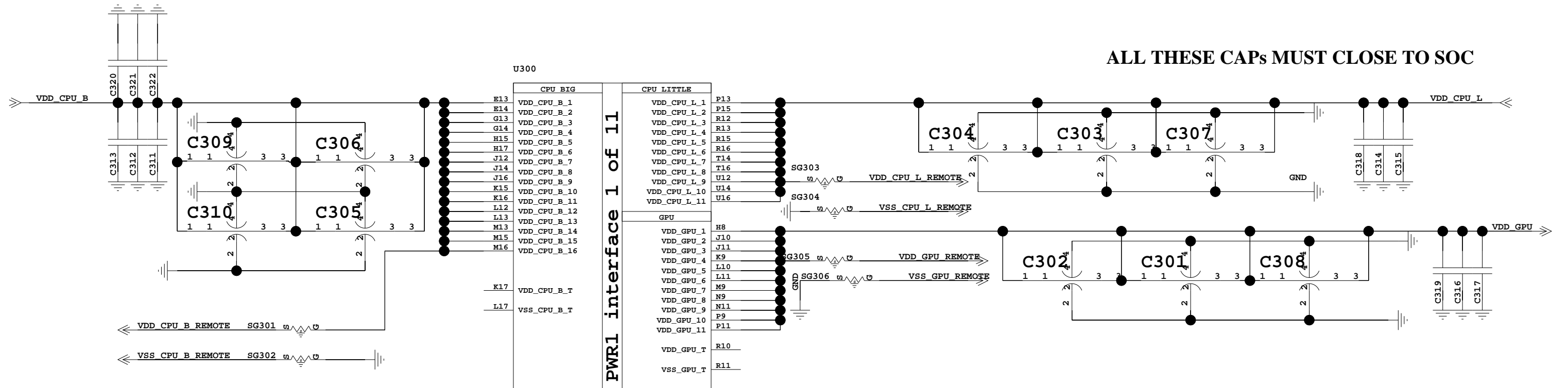
D

D

The type and specification of the components refer to the BOM

					05-07-2016_15:17
					2016-05-17
				ECA NO	DATE
DESIGNED	HEQUANTAO 00278224	HL1BLNM		03023VXH_SCHZH	
REVIEWED	LIZHAO 00213340				
		VER	PART_NUMBER	SHEET 2_Block Diagram	
		E	03023VXH	HUAWEI TECH CO.,LTD.	

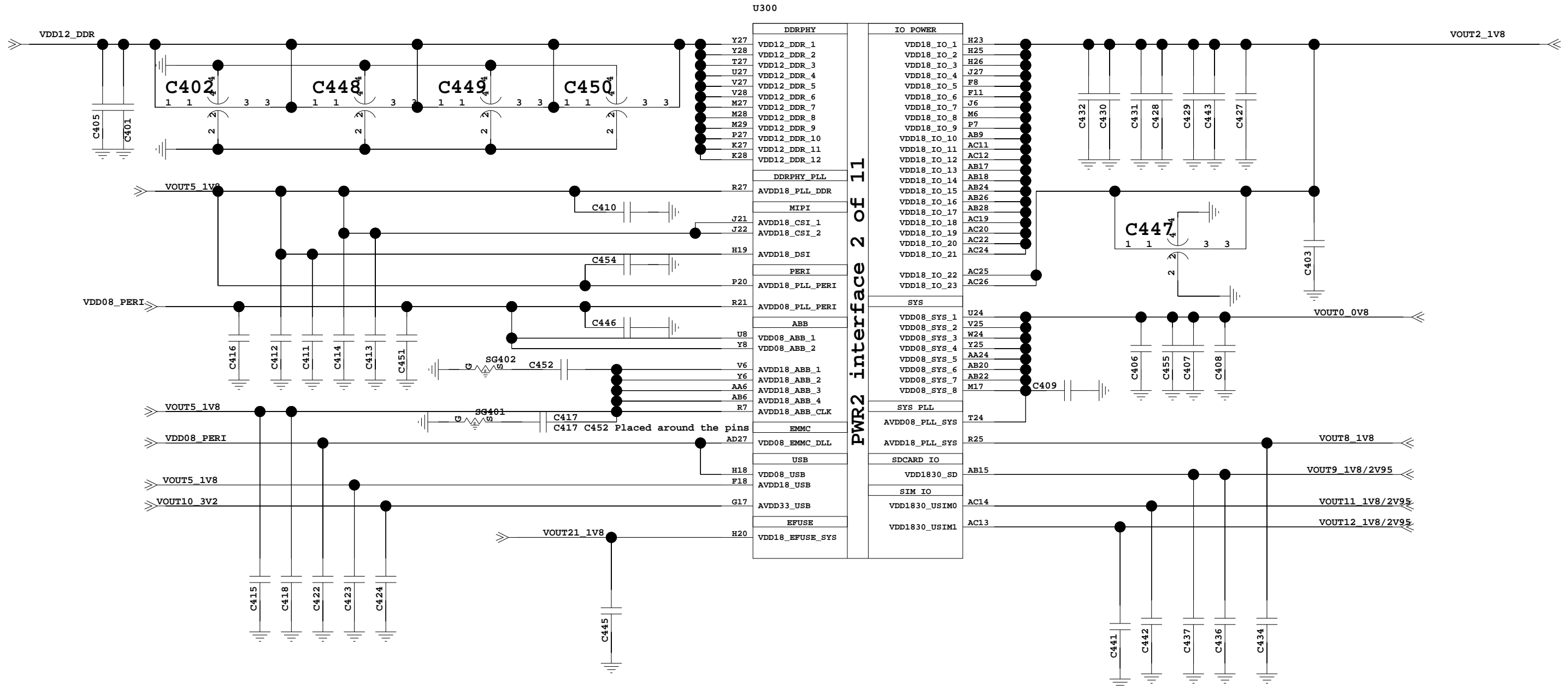
3. SOC PWR1



The type and specification of the components refer to the BOM

				11-07-2016_20:09
				2016-05-17
			ECA NO	DATE
DESIGNED	HEQUANTAO 00278224	HL1BLNM		03023VXH_SCHZH
REVIEWED	LIZHAO 00213340			
		VER	PART_NUMBER	SHEET 3_SOC_PWR15
		E	03023VXH	HUAWEI TECH CO.,LTD.

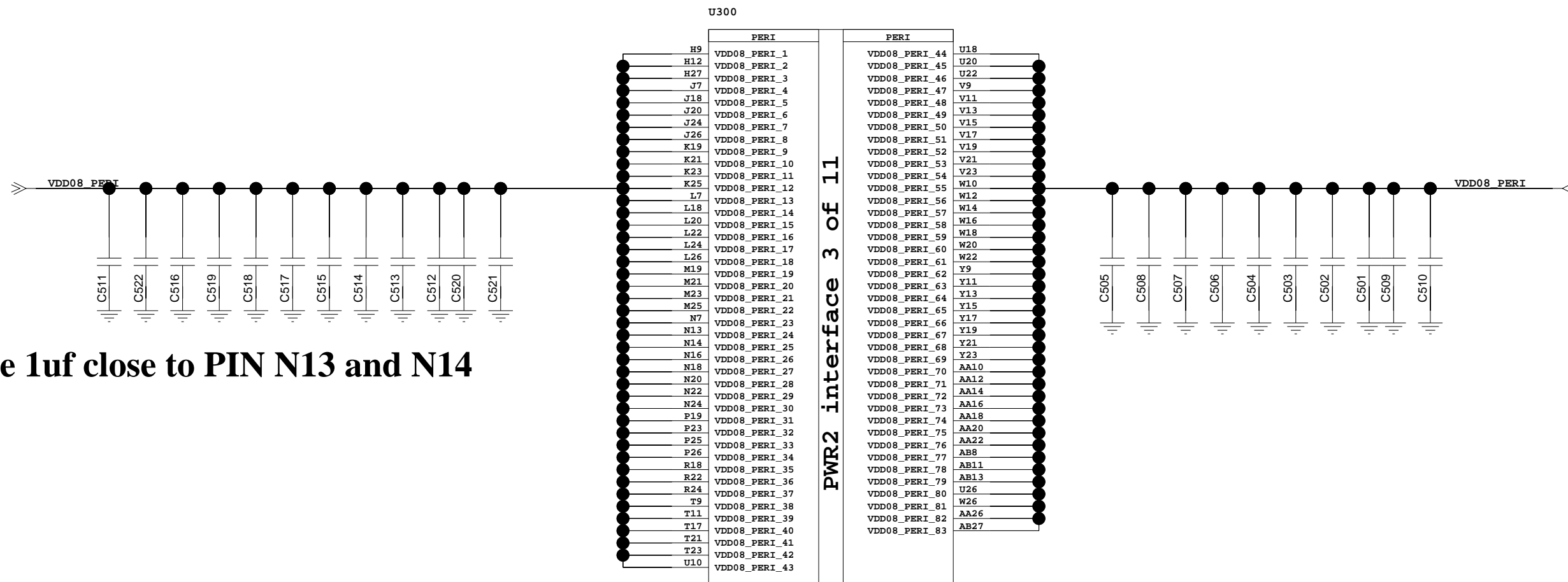
4. SOC PWR2



The type and specification of the components refer to the BOM

				11-07-2016_20:09
				2016-05-17
			ECA NO	DATE
DESIGNED	HEQUANTAO 00278224	HL1BLNM		03023VXH_SCHZH
REVIEWED	LIZHAO 00213340	VER	PART_NUMBER	SHEET 4 OF PWR2
		E	03023VXH	HUAWEI TECH CO.,LTD.

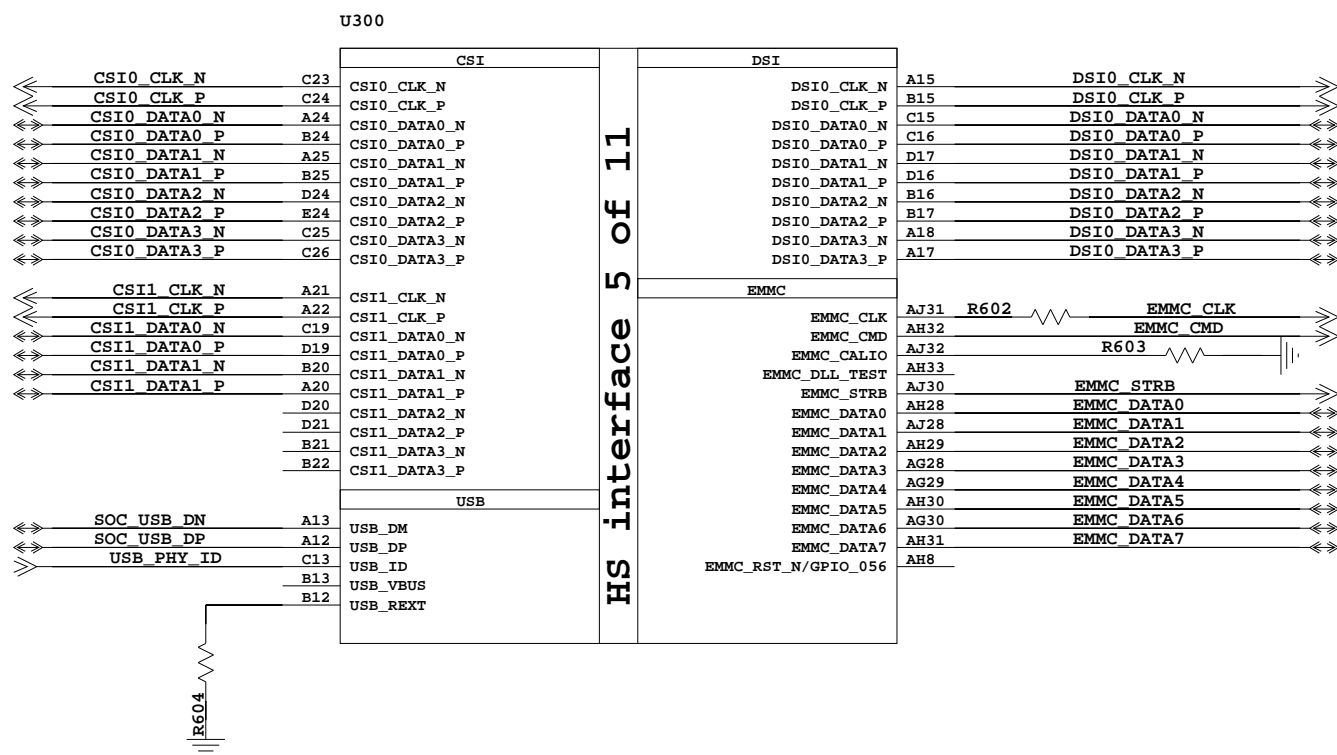
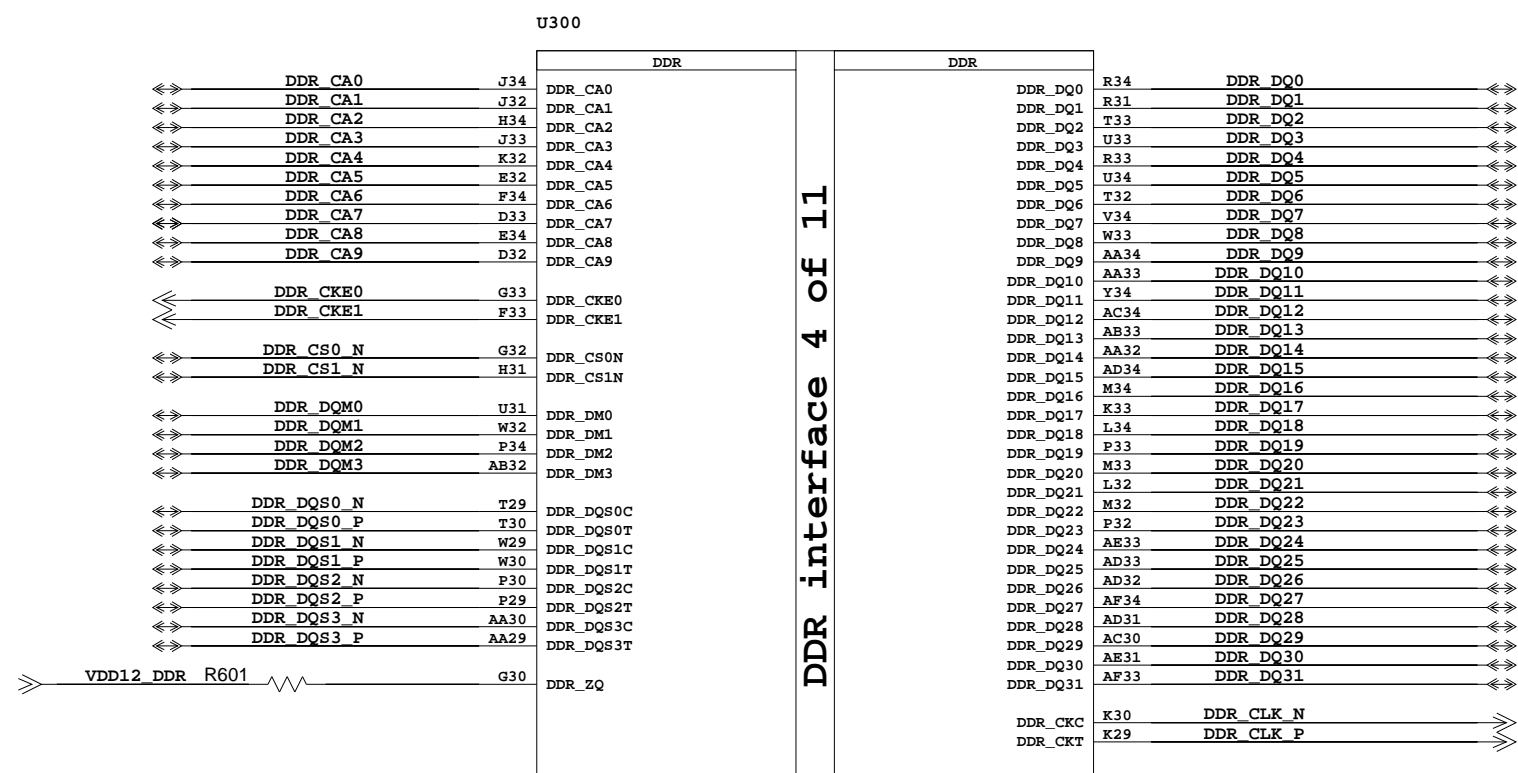
5. SOC PWR3



The type and specification of the components refer to the BOM

				11-07-2016_20:09
				2016-05-17
			ECA NO	DATE
DESIGNED	HEQUANTAO 00278224	HL1BLNM		03023VXH_SCHZH
REVIEWED	LIZHAO 00213340			
		VER	PART_NUMBER	SHEET 5 OF 33
		E	03023VXH	HUAWEI TECH CO.,LTD.

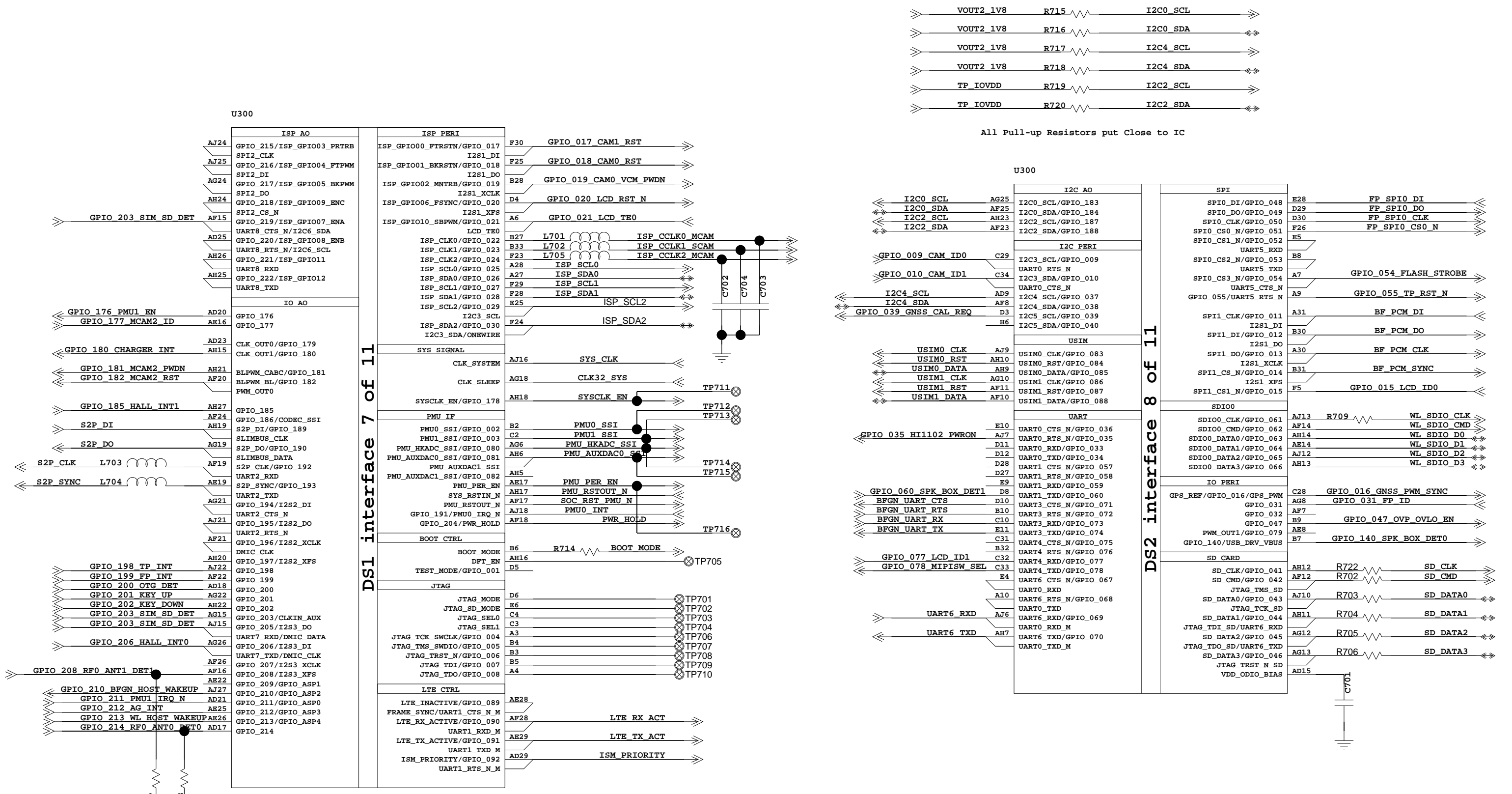
6. SOC HS Interface



The type and specification of the components refer to the BOM

				11-07-2016_20:09
				2016-05-17
			ECA NO	DATE
DESIGNED	HEQUANTAO 00278224	HL1BLNM		03023VXH_SCHZH
REVIEWED	LIZHAO 00213340			
		VER	PART_NUMBER	SHEET 6_S00FHS Interface
		E	03023VXH	HUAWEI TECH CO.,LTD.

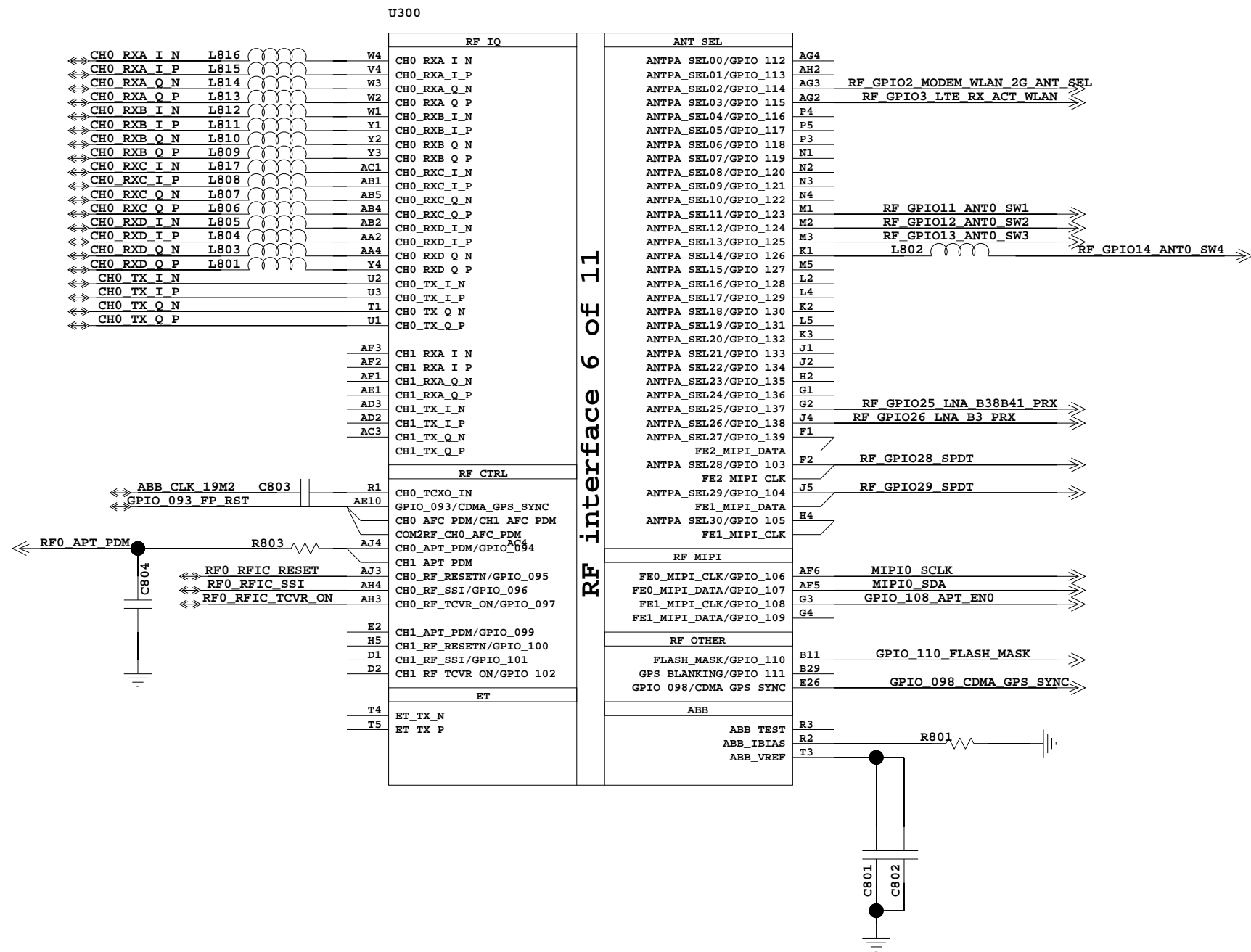
7. SOC GPIO Interface



The type and specification of the components refer to the BOM

				11-07-2016_20:09
				2016-05-17
			ECA NO	DATE
DESIGNED	HEQUANTAO 00278224	HL1BLNM		03023VXH_SCHZH
REVIEWED	LIZHAO 00213340			
		VER	PART_NUMBER	SHEET 7_S00FGPI05Interface
		E	03023VXH	HUAWEI TECH CO.,LTD.

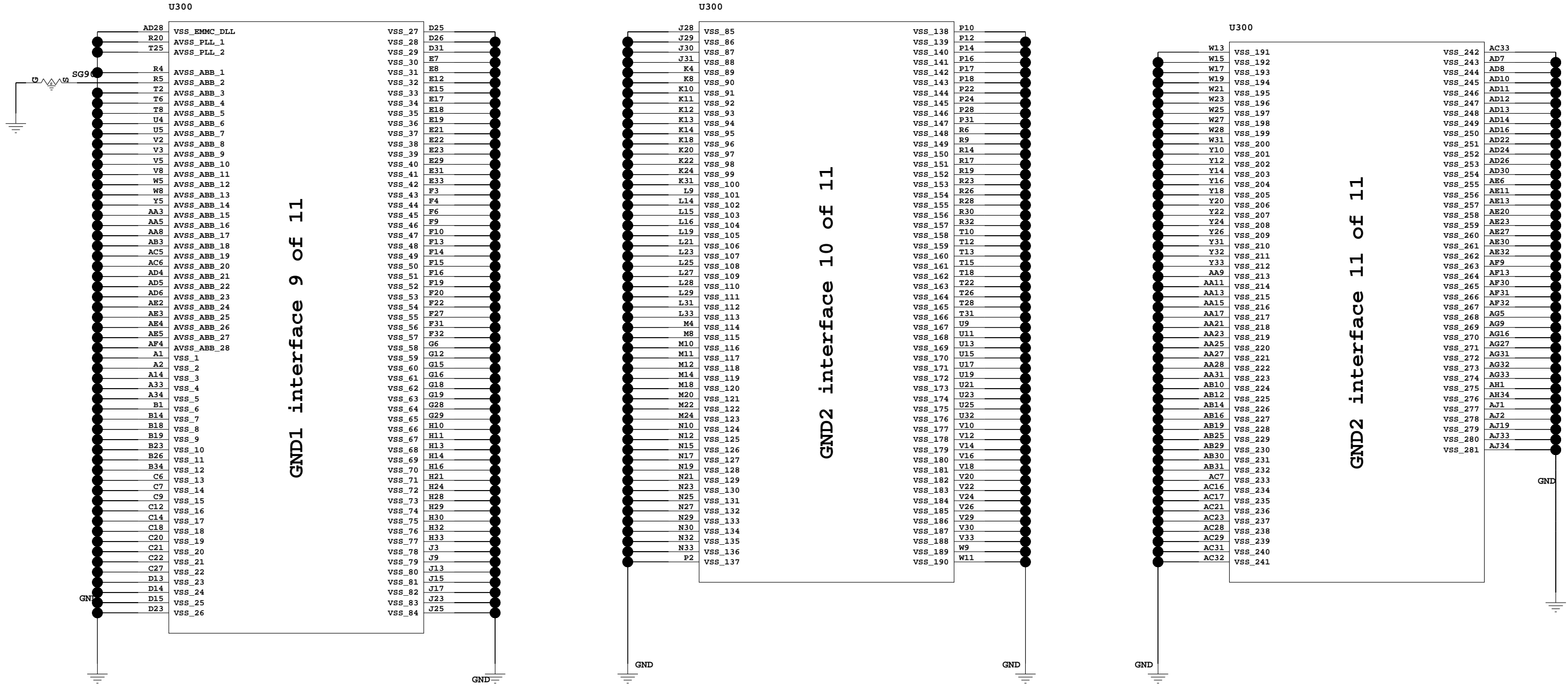
8. SOC RF Interface



The type and specification of the components refer to the BOM

				11-07-2016_20:09
				2016-05-17
			ECA NO	DATE
DESIGNED	HEQUANTAO 00278224	HL1BLNM		03023VXH_SCHZH
REVIEWED	LIZHAO 00213340			
		VER	PART_NUMBER	SHEET 8_S00FRF 55terface
		E	03023VXH	HUAWEI TECH CO.,LTD.

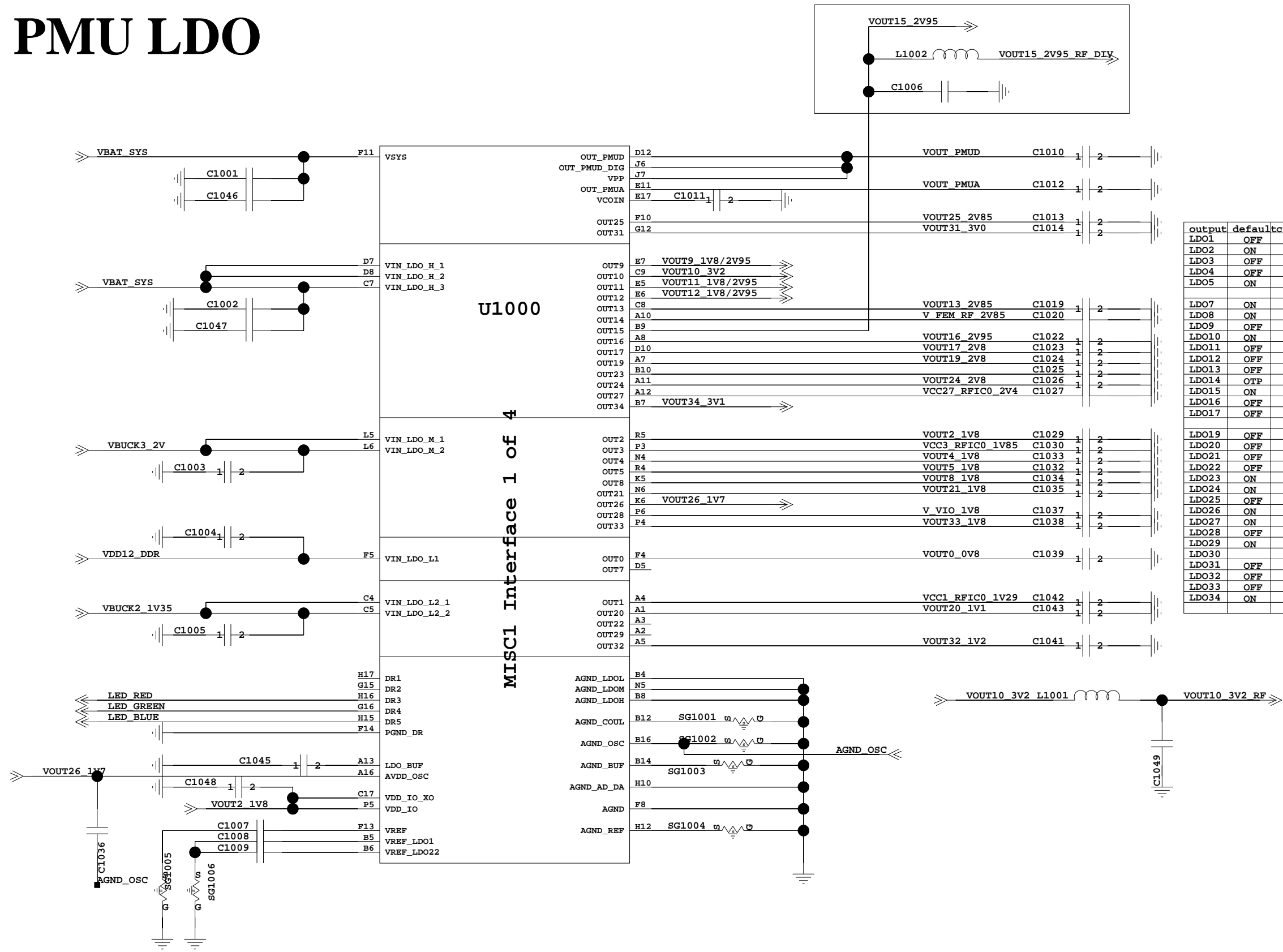
9. SOC GND



The type and specification of the components refer to the BOM

				11-07-2016_20:09
				2016-05-17
			ECA NO	DATE
DESIGNED	HEQUANTAO 00278224	HL1BLNM		03023VXH_SCHZH
REVIEWED	LIZHAO 00213340			
		VER	PART_NUMBER	SHEET 9 SOF GND 55
		E	03023VXH	HUAWEI TECH CO.,LTD.

10. PMU LDO

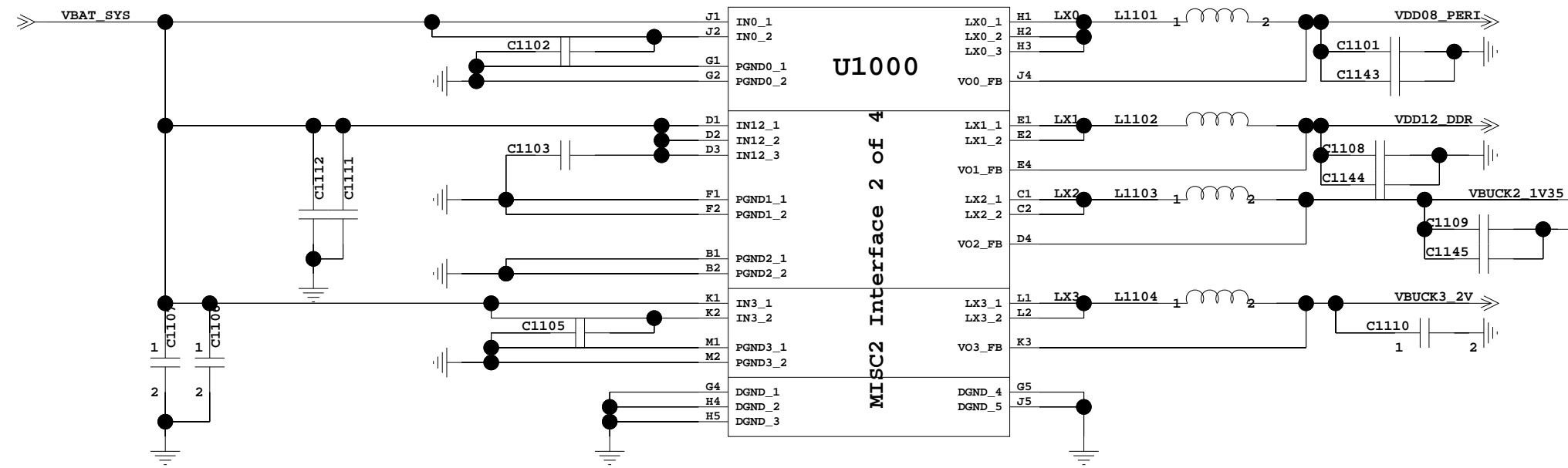
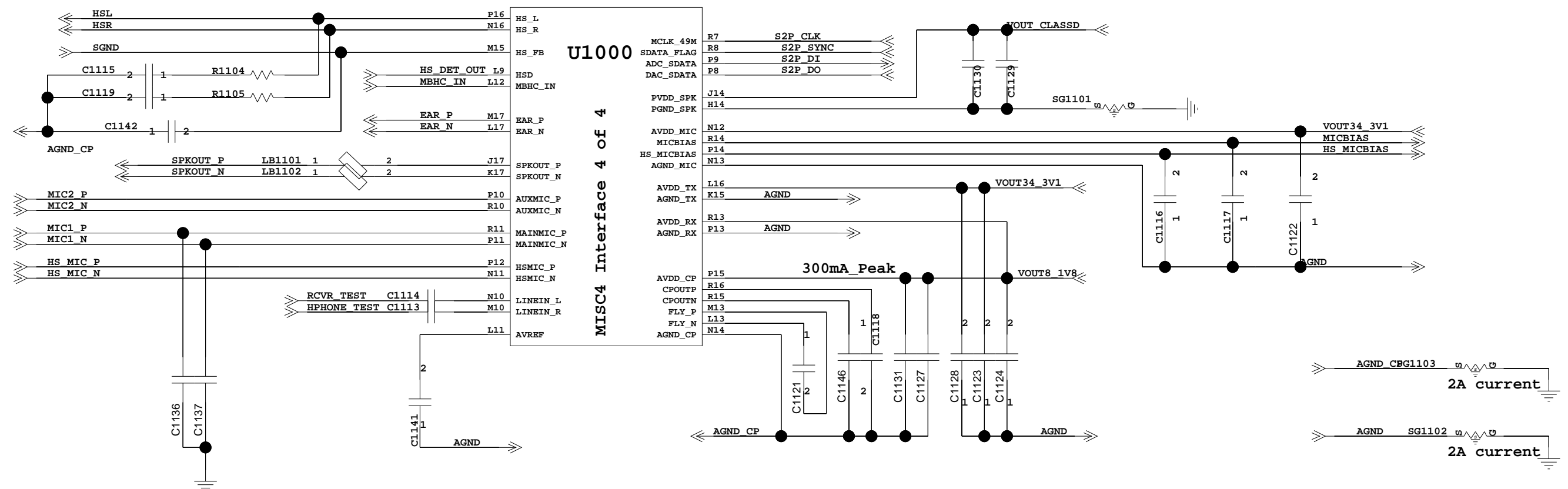


output	default	current	voltage	function
LDO1	OFF	250	1.29	SOC A0
LDO2	ON	800	1.8	pmu dig/RFIC/SOC1.8IO/64021.8/LPDDR VDD/CONT IO
LDO3	OFF	200	1.85	RFIC0&1 AVDD2
LDO4	OFF	150	1.8	LCD1.8 IO/TP1.8 IO
LDO5	ON	500	1.8	CSI/DSI/AVDD/PLL HV/USB 1.8
LDO7	ON	200	0.9	AVDDH_ABB
LDO8	ON	300	1.8	SOCp11 6402analog classd
LDO9	OFF	50	1.8/2.95	SD IO
LDO10	ON	150	3.2	USB 3.0
LDO11	OFF	50	1.8	SIM0
LDO12	OFF	50	1.8	SIM1
LDO13	OFF	300	2.85	S camera analog
LDO14	OTP	50	2.85	RF FEM
LDO15	ON	600	2.95	EMMC VDD
LDO16	OFF	800	2.95	SD card
LDO17	OFF	50	2.8	LCD TP
LDO19	OFF	300	2.8	M camera analog
LDO20	OFF	400	1.1/1.2	M Camera Core
LDO21	OFF	150	1.8	sys_efuse
LDO22	OFF	250	1.29	RFIC1 AVDD1 1.29v
LDO23	ON	50	2.1	HKADC
LDO24	ON	50	2.8	X Sensor AVDD
LDO25	OFF	400	2.85	Camera VCM
LDO26	ON	50	1.7	19.2 AVDD
LDO27	ON	50	2.4	RF 6362
LDO28	OFF	50	1.8	RF MIPI I/O
LDO29	ON	200	1.2	Hi6402 1.2V
LDO30				
LDO31	OFF	300	3.0	Vibrator
LDO32	OFF	400	1.2	S Camera Core
LDO33	OFF	150	1.8	M/S Camera I/O
LDO34	ON	150	3.2	codec 3.2V

The type and specification of the components refer to the BOM

				11-07-2016_20:09
			HL1BLNM	2016-05-17
			ECA NO	DATE
DESIGNED	HEQUANTAO 00278224		HL1BLNM	03023VXH_SCHZH
REVIEWED	LIZHAO 00213340			
		VER	PART_NUMBER	SHEET 10_P005 LD05
		E	03023VXH	HUAWEI TECH CO.,LTD.

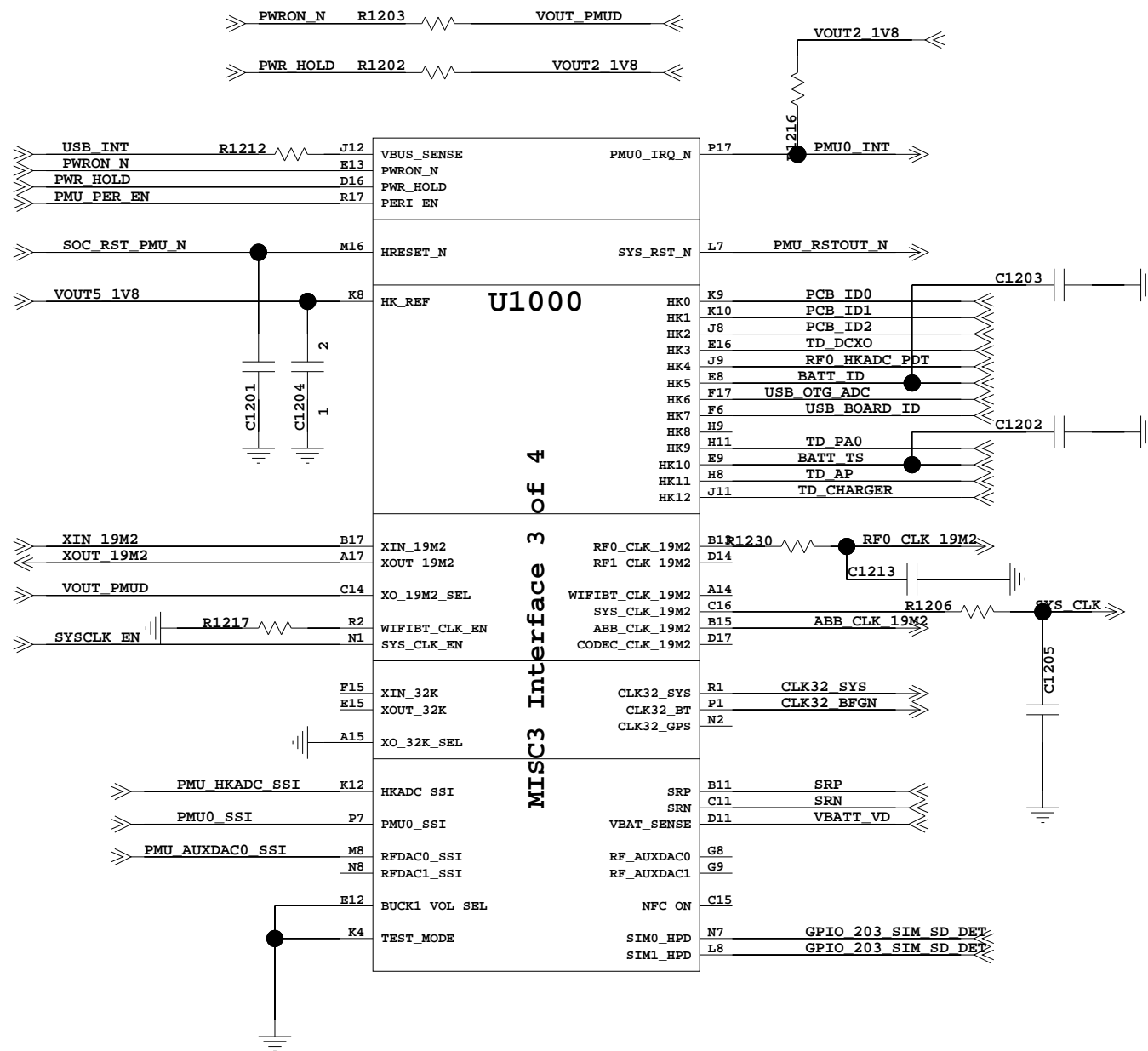
11. PMU BUCK/CODEC



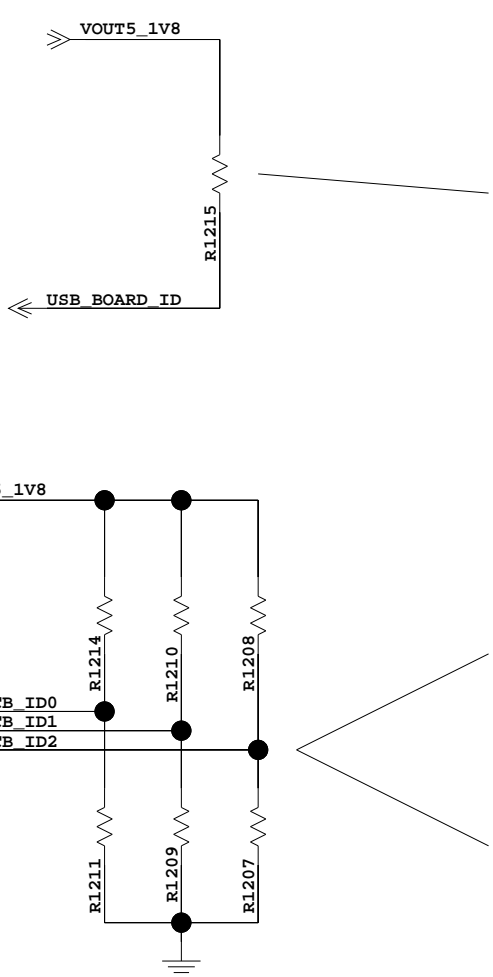
The type and specification of the components refer to the BOM

DESIGNED	HEQUANTAO 00278224	HL1BLNM		03023VXH_SCHZH
REVIEWED	LIZHAO 00213340	HL1BLNM		03023VXH_SCHZH
VER	E	PART_NUMBER	03023VXH	SHEET 11_PMU BUCK/CODEC
		HUAWEI TECH CO.,LTD.		

12. PMU MISC



HKADC	Function	HKADC	Function
HKADC_IN0	Board ID	HKADC_IN7	USB_BOARD_ID
HKADC_IN1	Board ID	HKADC_IN8	NULL
HKADC_IN2	Board ID	HKADC_IN9	TD_PA0
HKADC_IN3	DCXO Temp	HKADC_IN10	BATT Temp
HKADC_IN4	PD_PA0	HKADC_IN11	TD_SOC
HKADC_IN5	BATT ID	HKADC_IN12	TD_Scharger
HKADC_IN6	LCD_VSP_DET		



Project	SubBoard REFDES	Value	Code	STATE
BLN-TL00A	R201	200K	07091406	SMT,Other Res DNI
BLN-TL00	R202	150K	07092138	SMT,Other Res DNI
BLN-AL10A&B&C	R203	100K	07091246	SMT,Other Res DNI
BLN-L21	R204	68K	07091408	SMT,Other Res DNI
BLL-L22&L01	R205	51K	07091302	SMT,Other Res DNI
BLL-L23&L03	R206	30K	07091299	SMT,Other Res DNI
Reserved	R207	22K	07091172	SMT,Other Res DNI

R1215's Code consistent with R201-R208 in subboard.

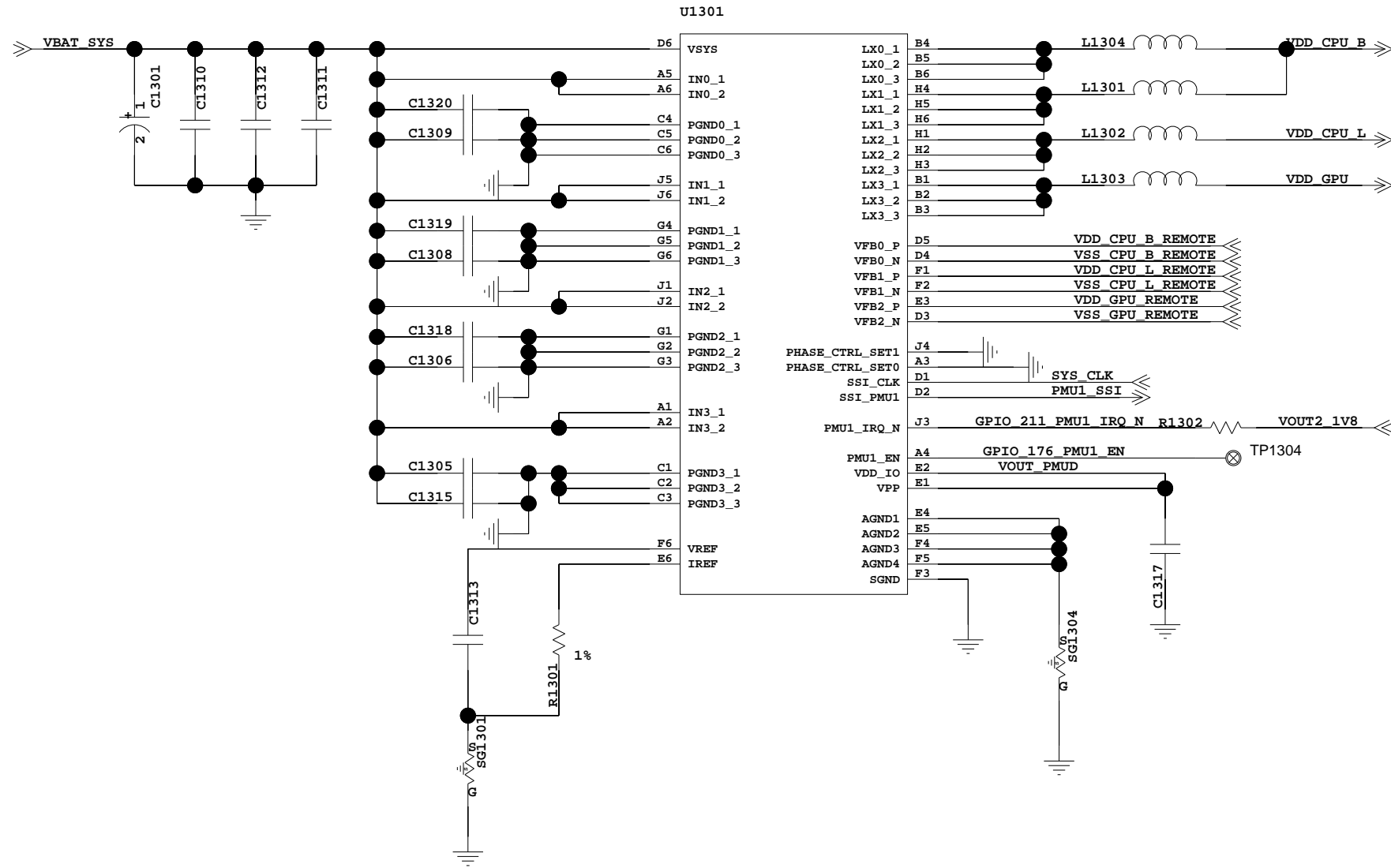
		R1208	R1207	R1210	R1209	R1214	R1211
BLN-AL10A&B&C	VN1	30K	100K	NC	0K	30K	100K
BLN-TL00	VN1	30K	100K	150K	22K	30K	100K
BLN-L21	VN1	30K	100K	200K	100K	30K	100K
BLL-L21&L01	VN1	30K	100K	150K	121K	30K	100K
BLN/L-L22&L02	VN1	30K	100K	121K	150K	30K	100K
BLL-L23&L03	VN1	30K	100K	51K	100K	30K	100K
BLN-AL10A&B&C	VN1.1	30K	100K	NC	0K	51K	100K
BLN-TL10	VN1.1	30K	100K	100K	30K	30K	100K

Board ID Resistor Set		Resistor Code	
ID	UP RES DOWN RES	OK	07090911
0	NC 0K	20K	07092448
1	150K 22K	22K	07091172
2	100K 30K	30K	07091299
3	200K 100K	51K	07091302
4	150K 121K	100K	07091246
5	121K 150K	121K	07091176
6	51K 100K	150K	07092138
7	30K 100K	200K	07091406
8	20K 150K		
9	150K NC		

The type and specification of the components refer to the BOM

				11-07-2016_20:09
			HL1BLNM	2016-05-17
			ECA NO	DATE
DESIGNED	HEQUANTAO 00278224	HL1BLNM		03023VXH_SCHZH
REVIEWED	LIZHAO 00213340			
		VER	PART_NUMBER	SHEET 12_PMU MISC
		E	03023VXH	HUAWEI TECH CO.,LTD.

13. HI6422



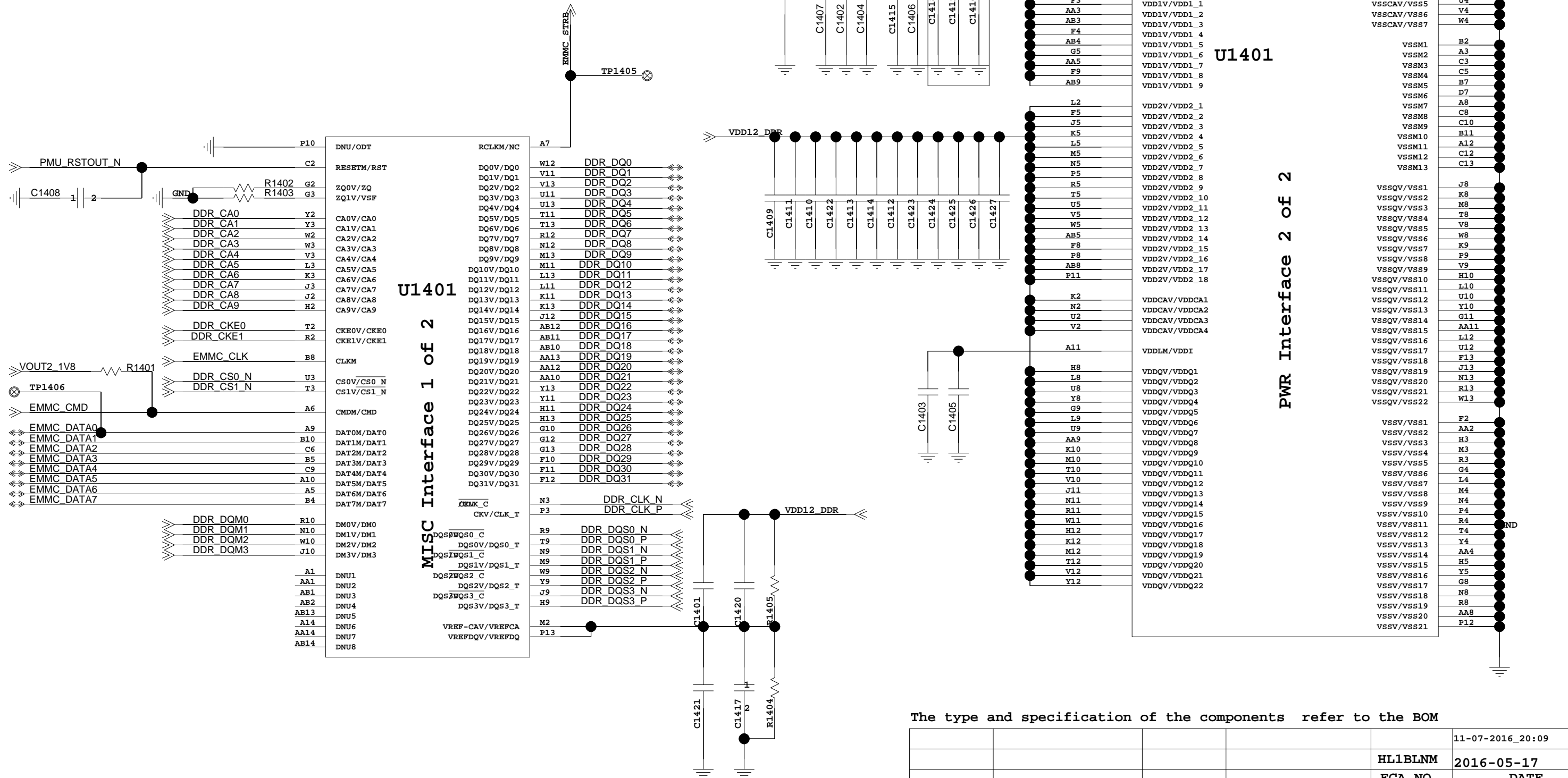
The type and specification of the components refer to the BOM

				11-07-2016_20:09
			HL1BLNM	2016-05-17
			ECA NO	DATE
DESIGNED	HEQUANTAO 00278224	HL1BLNM		03023VXH_SCHZH
REVIEWED	LIZHAO 00213340			
		VER	PART_NUMBER	SHEET 13_HD642255
		E	03023VXH	HUAWEI TECH CO.,LTD.

14. eMMC and LpDDR3

eMCP: 3G LPDDR3+32G EMMC code:40060744

eMCP: 4G LPDDR3+32G EMMC code:40060747

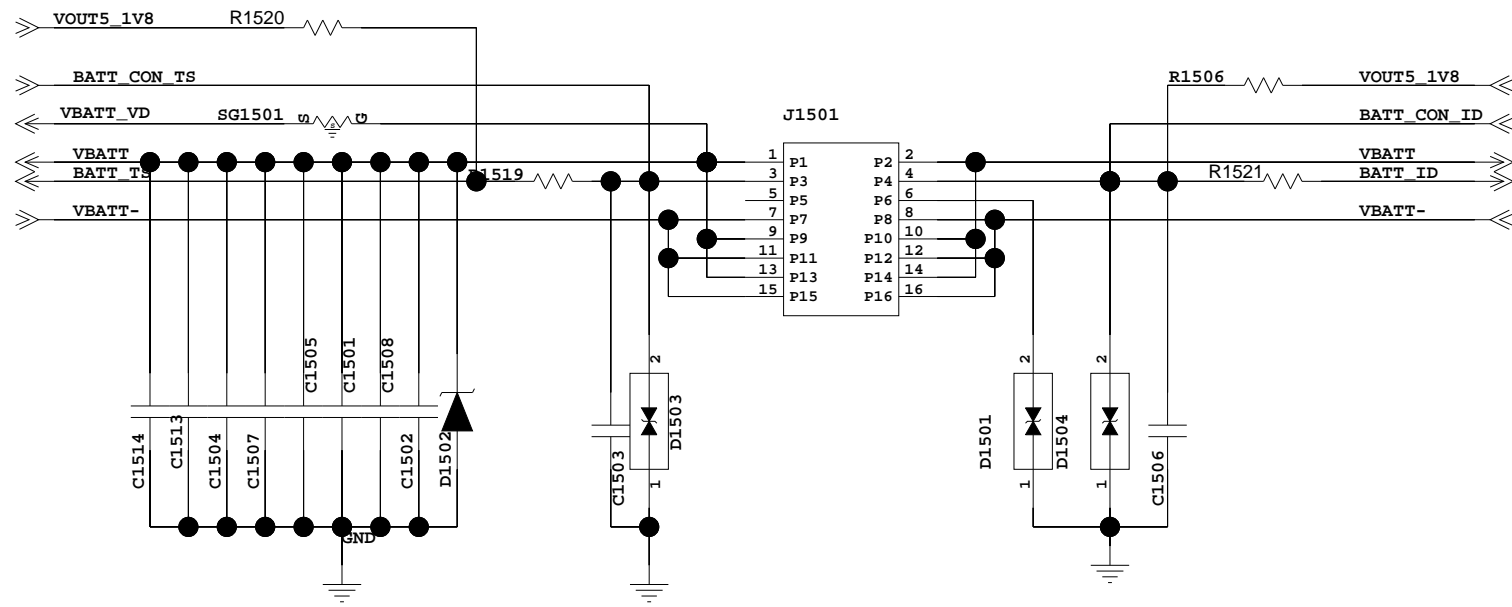


The type and specification of the components refer to the BOM

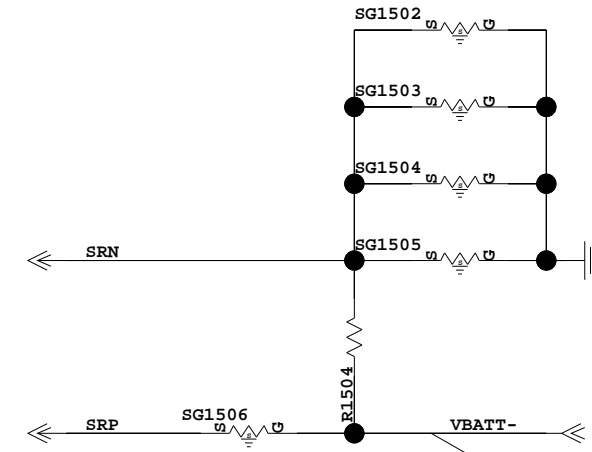
DESIGNED	HEQUANTAO 00278224	HL1BLNM	03023VXH_SCHZH	11-07-2016_20:09
REVIEWED	LIZHAO 00213340	ECA NO	DATE	2016-05-17
VER	PART_NUMBER	SHEET 14_eMMC and DDR3		
E	03023VXH	HUAWAI TECH CO.,LTD.		

15. Battery and Switch

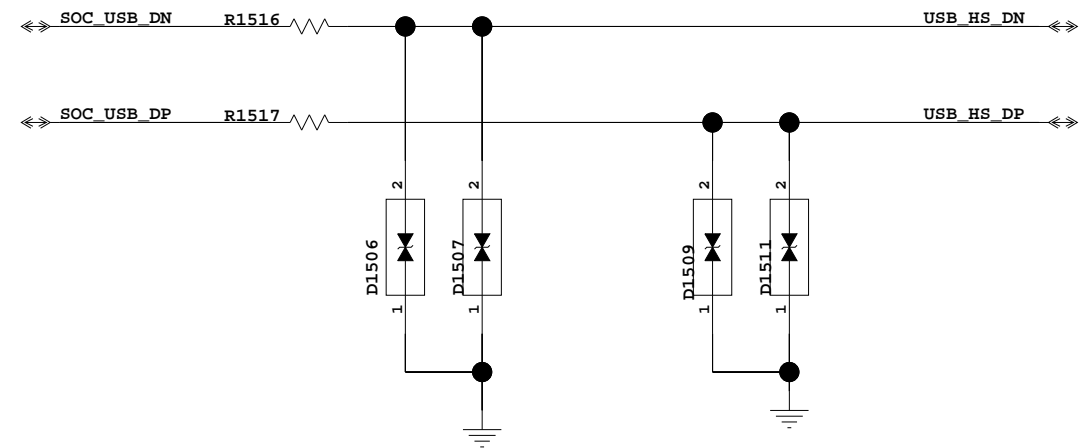
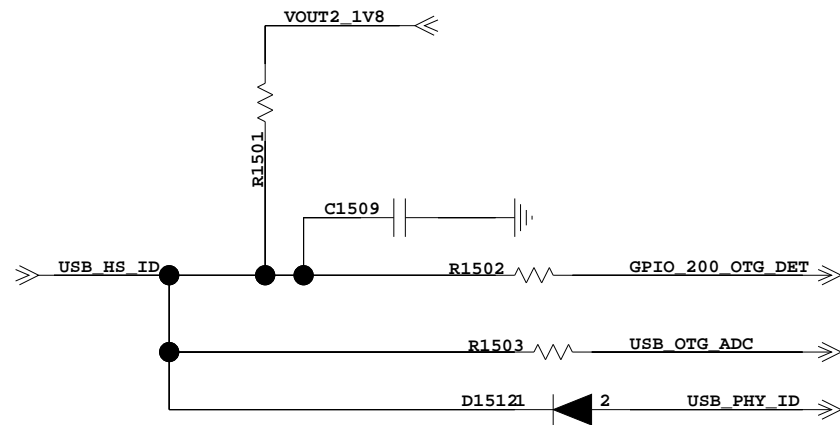
Battery Connector



CAD note: 1.Trace for 6A
2.Differential trace



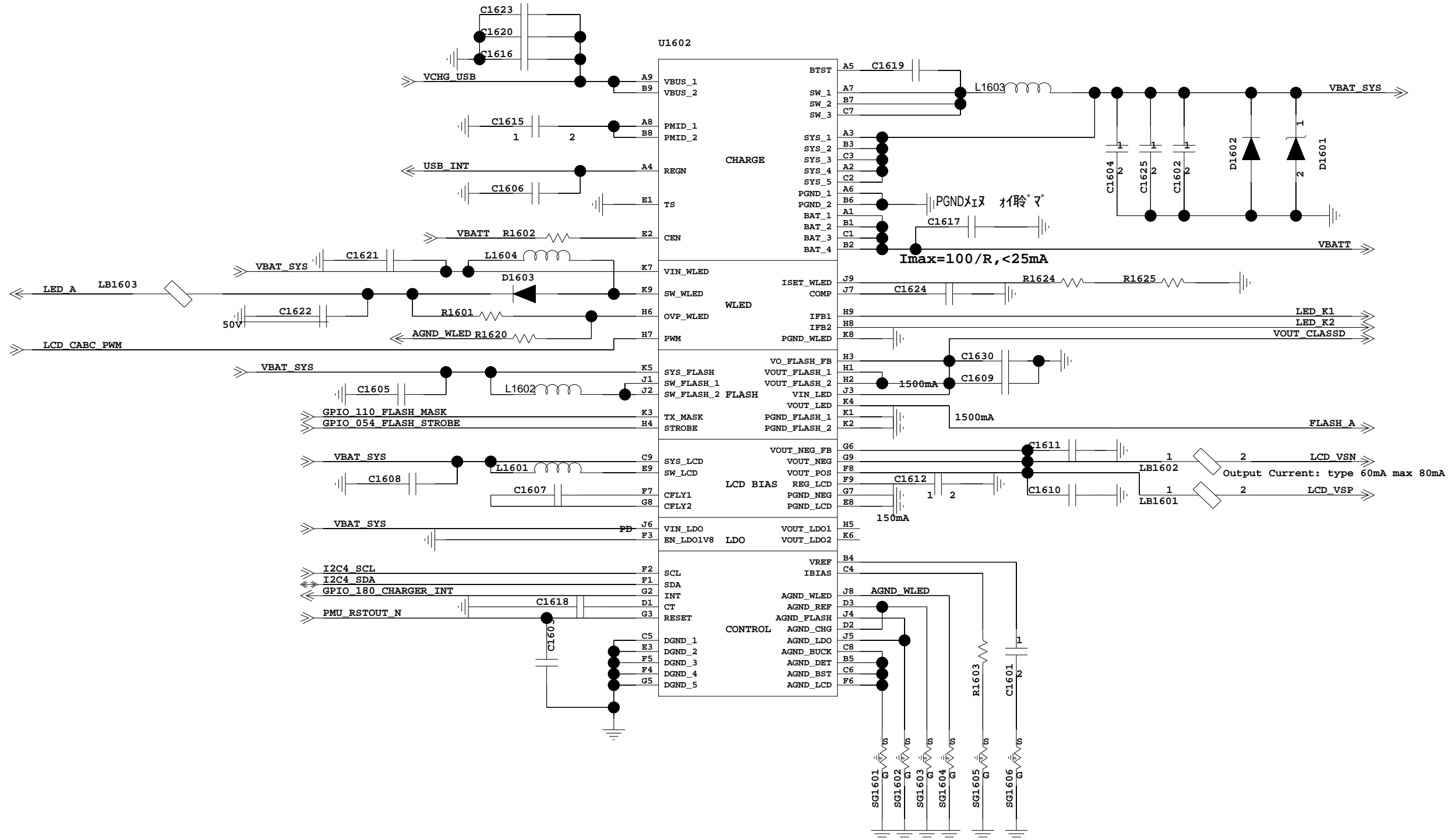
Differential line, divide from R1504 Pads.



The type and specification of the components refer to the BOM

				HL1BLNM	2016-05-17
				ECA NO	DATE
DESIGNED	HEQUANTAO 00278224	HL1BLNM		03023VXH_SCHZH	
REVIEWED	LIZHAO 00213340	VER	PART_NUMBER	SHEET	15 of 15
		E	03023VXH	HUAWEI TECH CO.,LTD.	

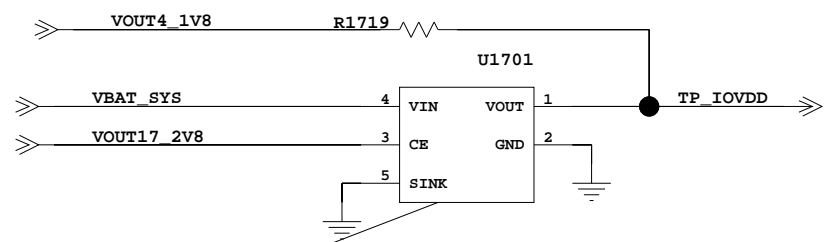
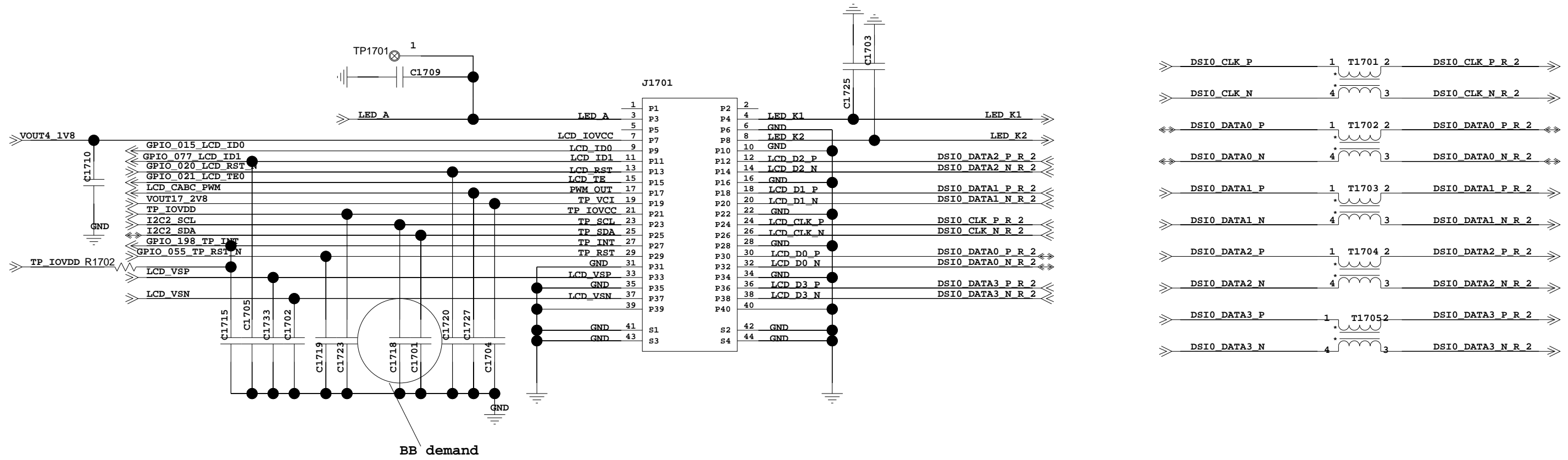
16. Charge Management



The type and specification of the components refer to the BOM

				11-07-2016_20:09
			HL1BLNM	2016-05-17
			ECA NO	DATE
DESIGNED	HEQUANTAO 00278224	HL1BLNM		03023VXH_SCHZH
REVIEWED	LIZHAO 00213340			
		VER	PART_NUMBER	SHEET 16 of 55 and LCD
		E	03023VXH	HUAWEI TECH CO.,LTD.

17. LCD Interface



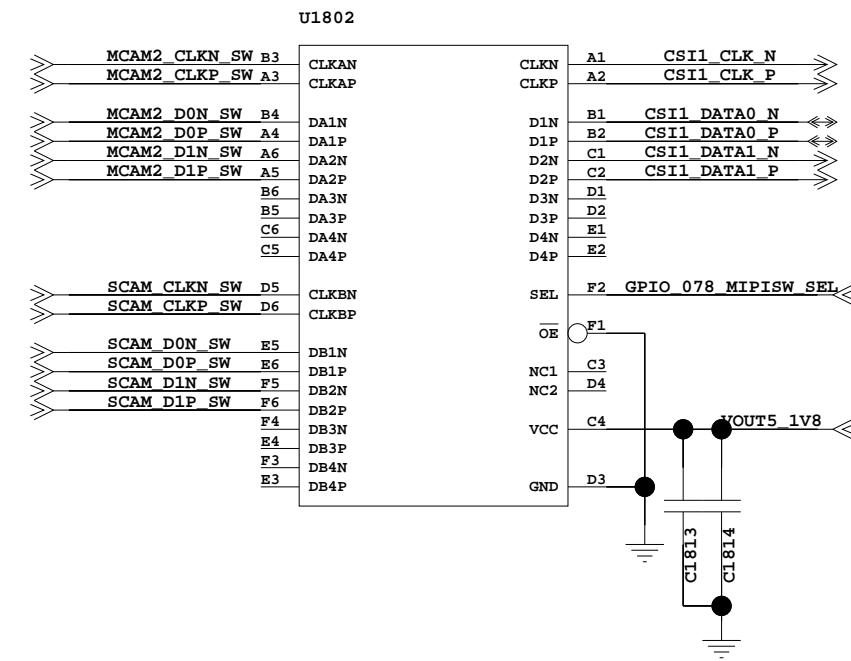
U1701: Original code is 0755, changed for 1023 to verify Onsem

The type and specification of the components refer to the BOM

LCM MODULE	R1719	U1701	R1721&R1722&C1732
GFF	SMT->DNI	DNI->SMT	DNI
INCELL	SMT->DNI	SMT->DNI	SMT

				HL1BLNM	2016-05-17
				ECA NO	DATE
DESIGNED	HEQUANTAO 00278224			HL1BLNM	
REVIEWED	LIZHAO 00213340			03023VXH_SCHZH	
		VER	PART_NUMBER	SHEET 17_LCD In55rface	
		E	03023VXH	HUAWAI TECH CO.,LTD.	

18. Camera MIPI SWITCH



The type and specification of the components refer to the BOM

				HL1BLNM	2016-05-17
				ECA NO	DATE
DESIGNED	HEQUANTAO 00278224	HL1BLNM		03023VXH_SCHZH	
REVIEWED	LIZHAO 00213340				
		VER	PART_NUMBER	SHEET	18_Camera MIPI SWITCH
		E	03023VXH	HUAWEI TECH CO.,LTD.	

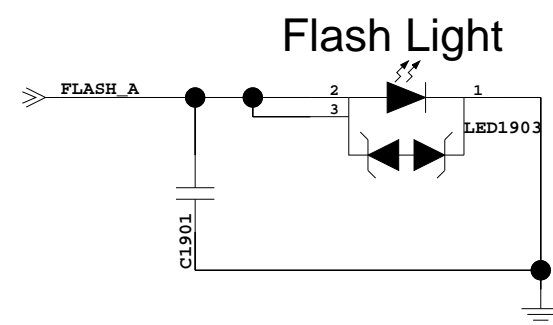
19. Flash LED

A

B

C

D

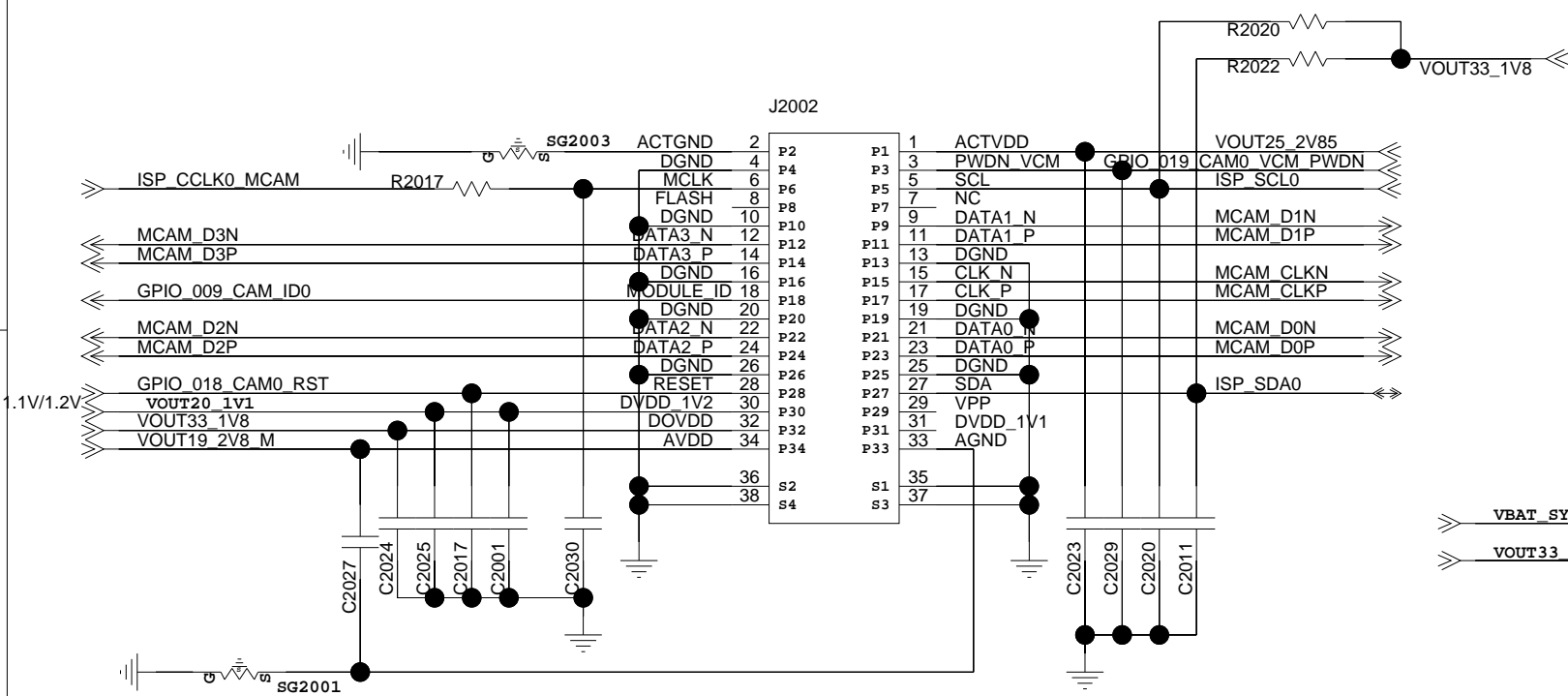


The type and specification of the components refer to the BOM

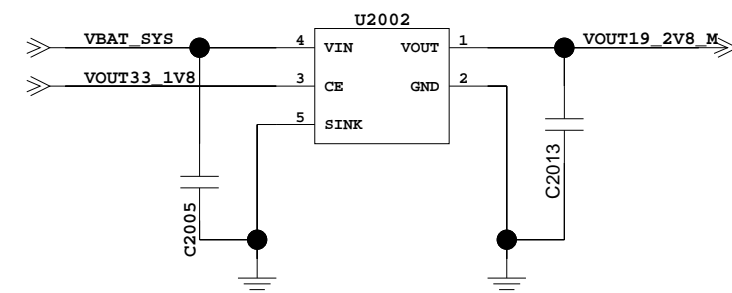
				HL1BLNM	2016-05-17
				ECA NO	DATE
DESIGNED	HEQUANTAO 00278224	HL1BLNM		03023VXH_SCHZH	
REVIEWED	LIZHAO 00213340	VER	PART_NUMBER	SHEET 19_Flash LED	
		E	03023VXH	HUAWEI TECH CO.,LTD.	

20. Camera Interface

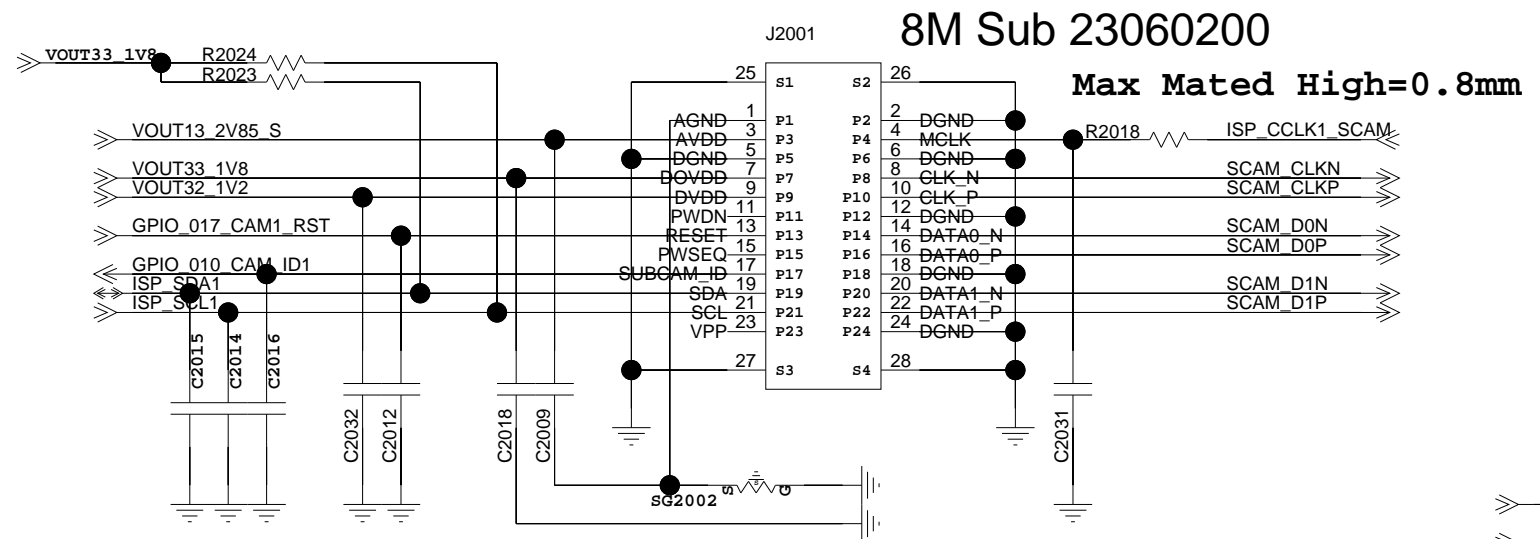
A



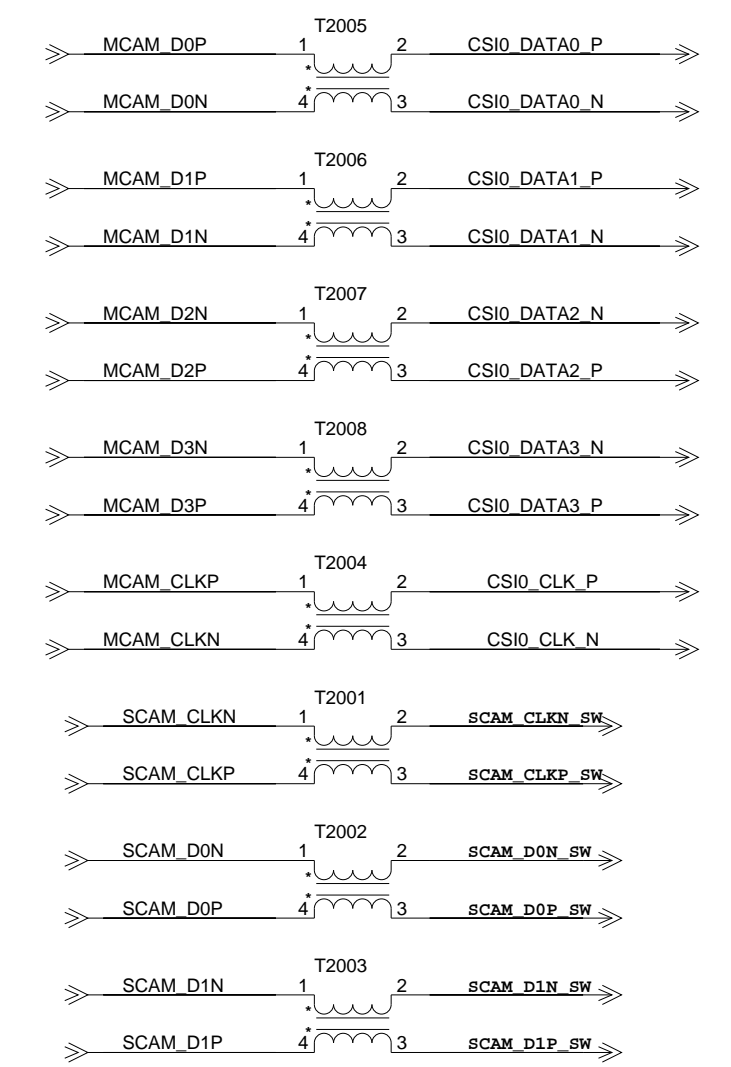
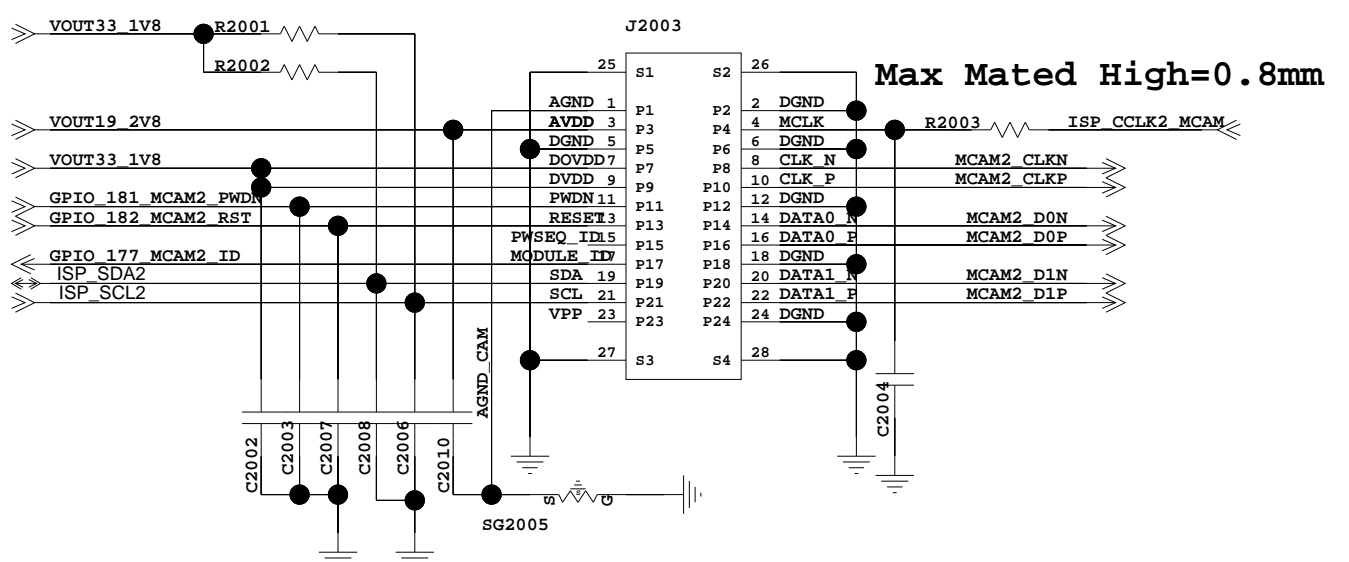
B



C



D



A

B

C

D

The type and specification of the components refer to the BOM

				HL1BLNM	2016-05-17
				ECA NO	DATE
DESIGNED	HEQUANTAO 00278224	HL1BLNM		03023VXH_SCHZH	
REVIEWED	LIZHAO 00213340				
		VER	PART_NUMBER	SHEET 20_Camera5Interface	
		E	03023VXH	HUAWAI TECH CO.,LTD.	

21. ISP Reserved

A

A

B

B

C

C

D

D

The type and specification of the components refer to the BOM

					05-07-2016_15:17
				HL1BLNM	2016-05-17
				ECA NO	DATE
DESIGNED	HEQUANTAO 00278224	HL1BLNM		03023VXH_SCHZH	
REVIEWED	LIZHAO 00213340				
		VER	PART_NUMBER	SHEET 21_ISP Reserved	
		E	03023VXH	HUAWEI TECH CO.,LTD.	

22. Codec HI6402 Reserved

A

B

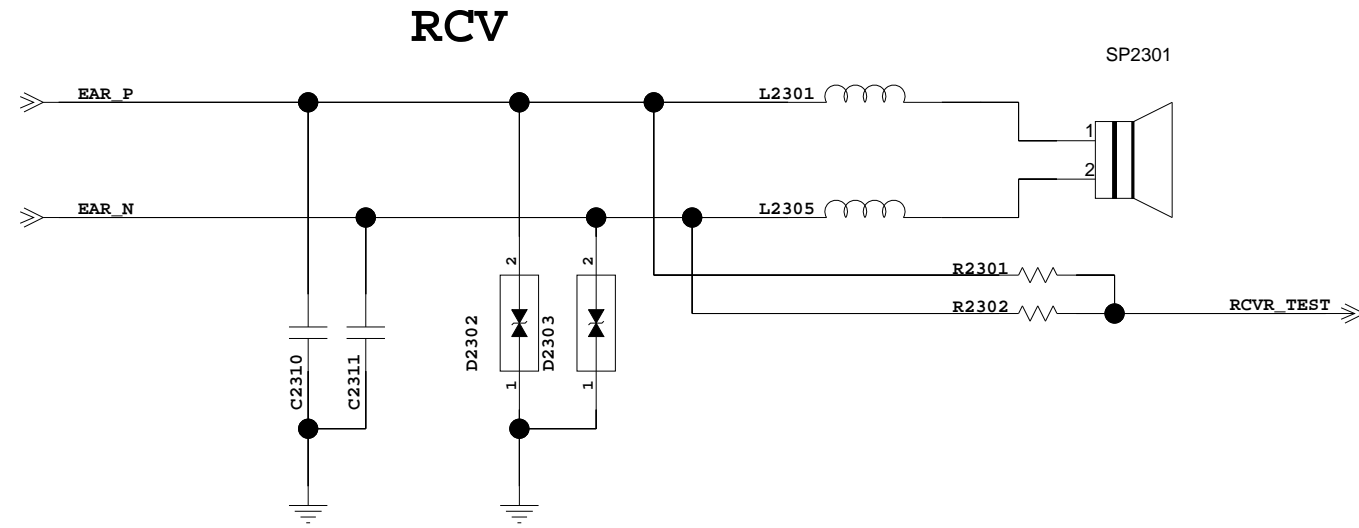
C

The type and specification of the components refer to the BOM

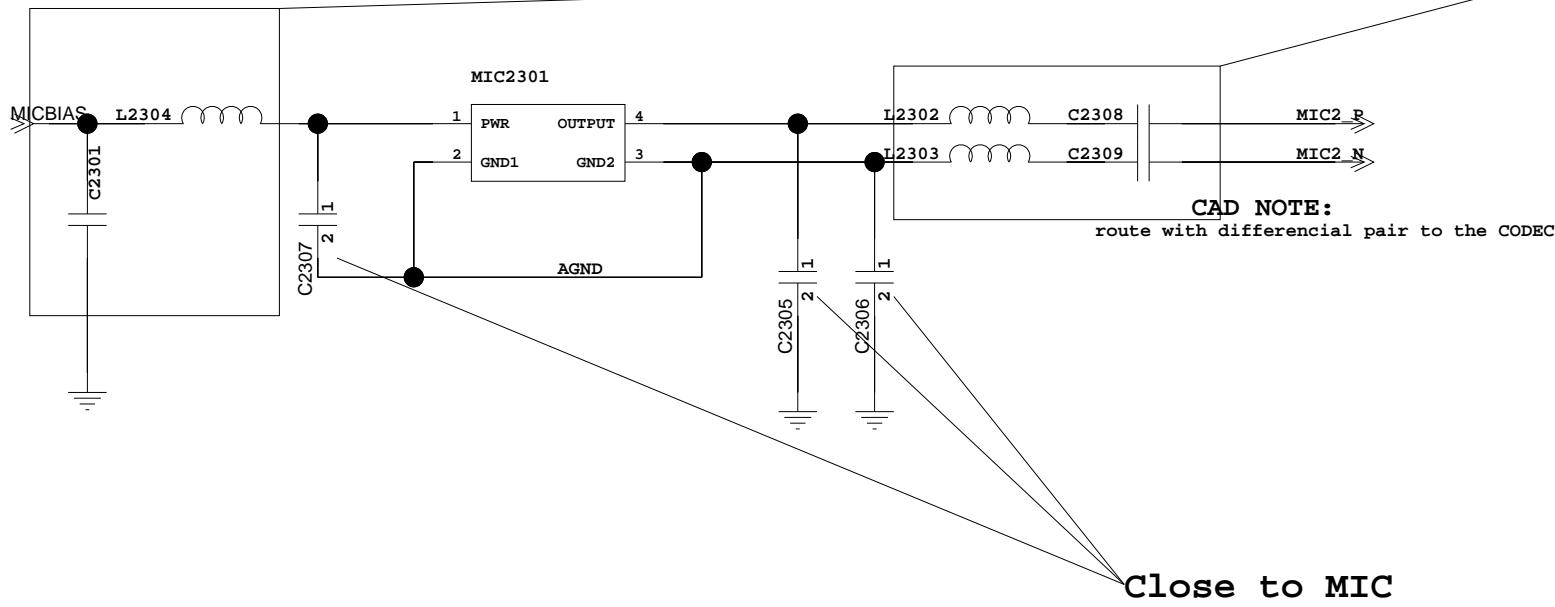
BootMode0	BootModel	Function(BootROM Start)					
1	1	SPI Start	DESIGNED	HEQUANTAO 00278224			HL1BLNM 2016-05-17 ECA NO DATE
1	0	SSI Start			HL1BLNM	03023VXH_SCHZH	
0	1	I2C Start	REVIEWED	LIZHAO 00213340			
0	0	SLIMBUS Start			VER	PART_NUMBER	SHEET 22_Coec HI6402 Reserved
					E	03023VXH	HUAWEI TECH CO.,LTD.

D

23. Audio RCV/MIC



Secondary Mic Code 22050075



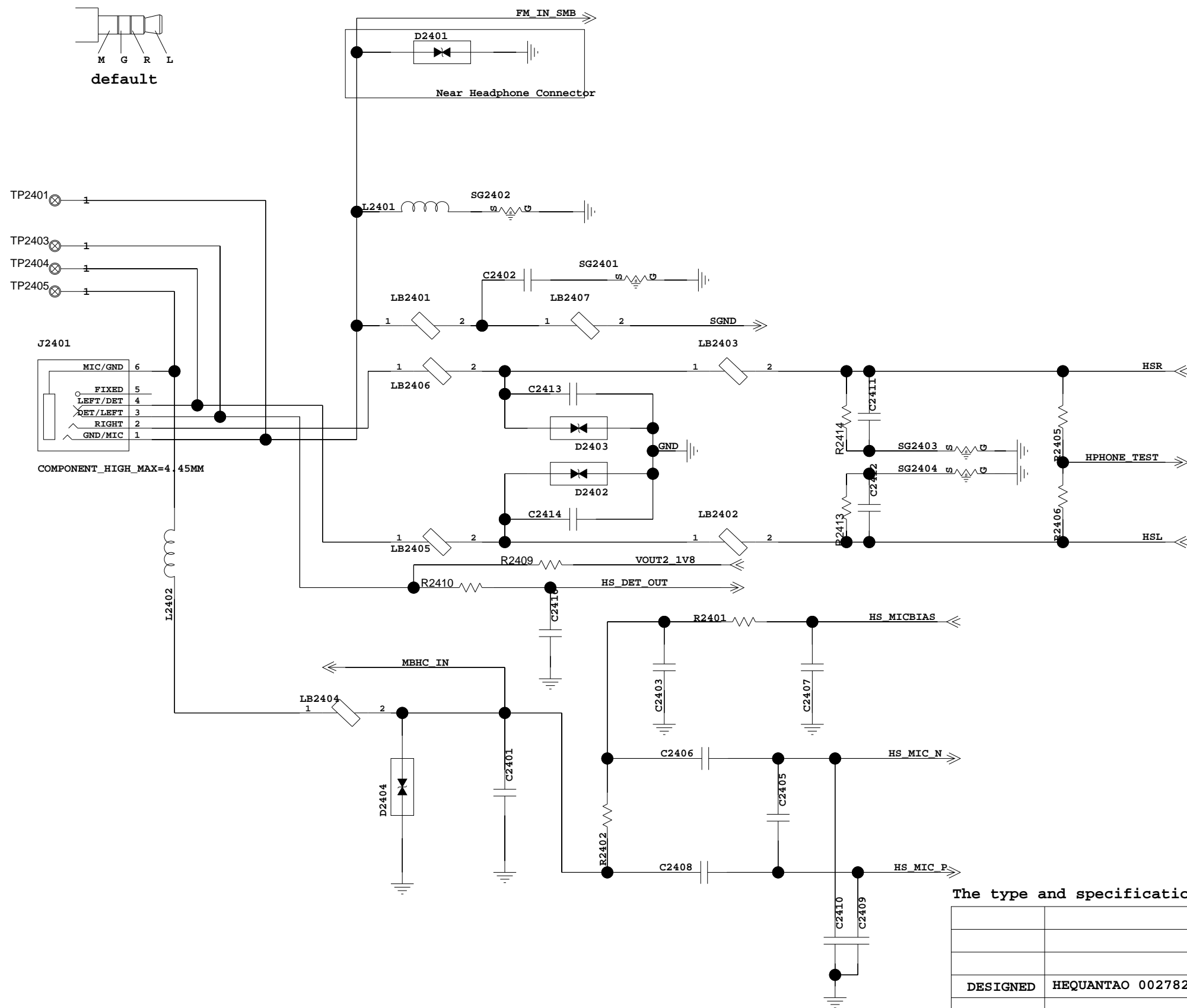
CAD NOTE:
route with differential pair to the CODEC

CAD note: MIC need differential trace

The type and specification of the components refer to the BOM

				HL1BLNM	2016-05-17
				ECA NO	DATE
DESIGNED	HEQUANTAO 00278224	HL1BLNM		03023VXH_SCHZH	
REVIEWED	LIZHAO 00213340				
		VER	PART_NUMBER	SHEET 23_Audio RCV/MIC	
		E	03023VXH	HUAWAI TECH CO.,LTD.	

24. Headphone



The type and specification of the components refer to the BOM

				HL1BLNM	2016-05-17
				ECA NO	DATE
DESIGNED	HEQUANTAO 00278224	HL1BLNM		03023VXH_SCHZH	
REVIEWED	LIZHAO 00213340	VER	PART_NUMBER	SHEET 24_Headp55ne	
		E	03023VXH	HUAWAI TECH CO.,LTD.	

25. Smart PA Reserved

A

A

B

B

C

C

D

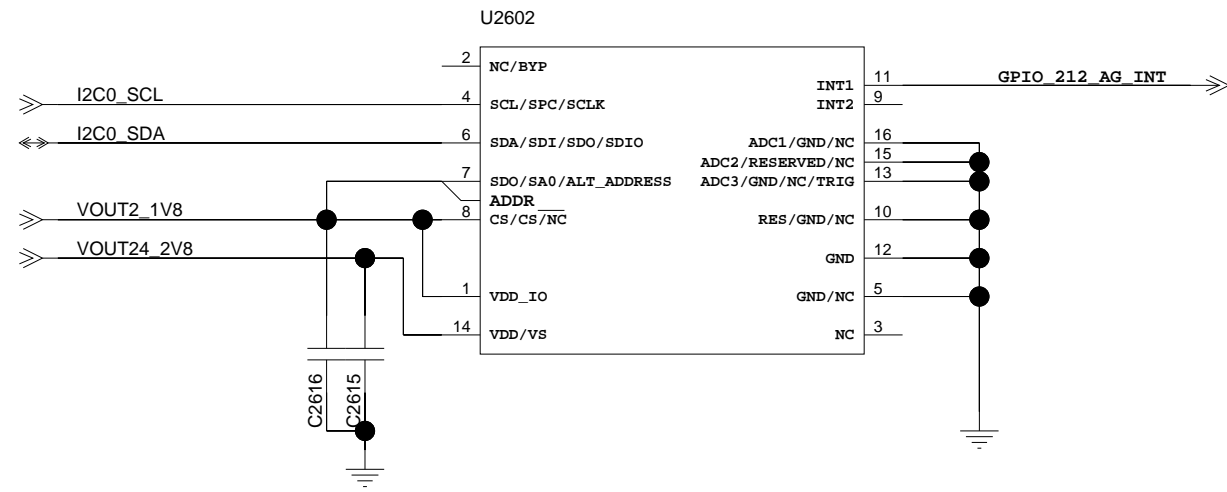
D

The type and specification of the components refer to the BOM

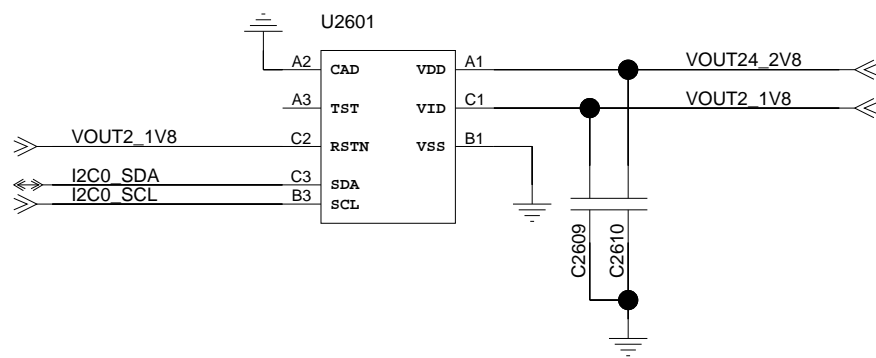
				HL1BLNM	2016-05-17
				ECA NO	DATE
DESIGNED	HEQUANTAO 00278224			HL1BLNM	03023VXH_SCHZH
REVIEWED	LIZHAO 00213340				
		VER	PART_NUMBER	SHEET	25_Smart PA Reserved
		E	03023VXH		HUAWEI TECH CO.,LTD.

26. X-Sensor

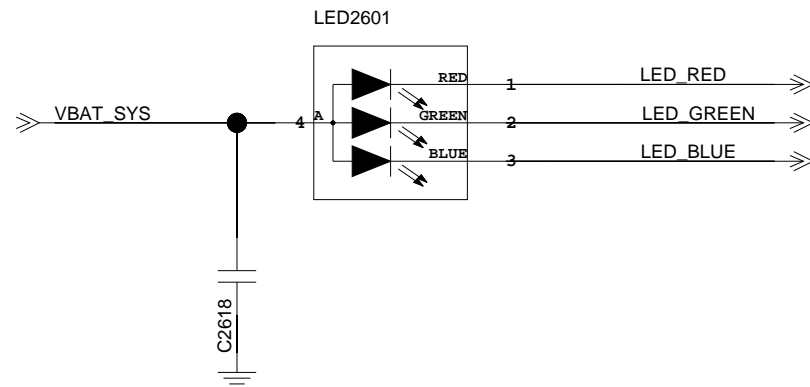
Accelerometer



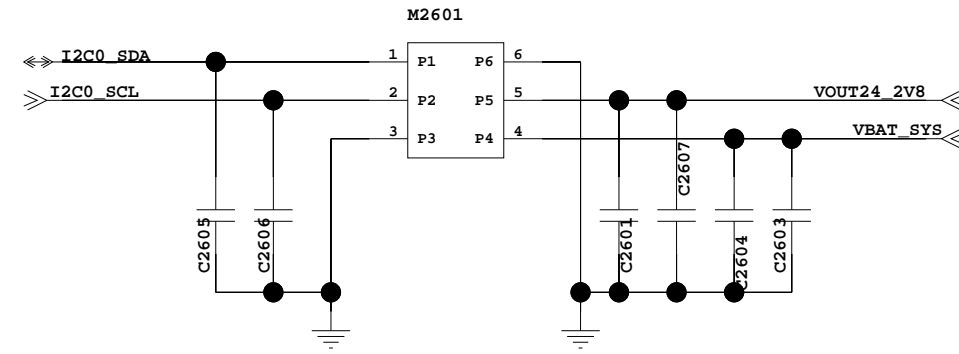
Compass



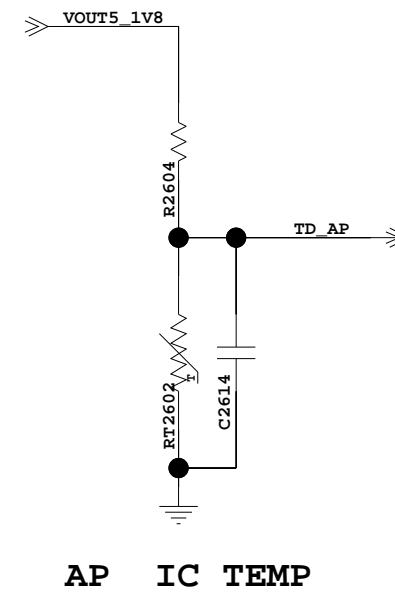
Status indicator



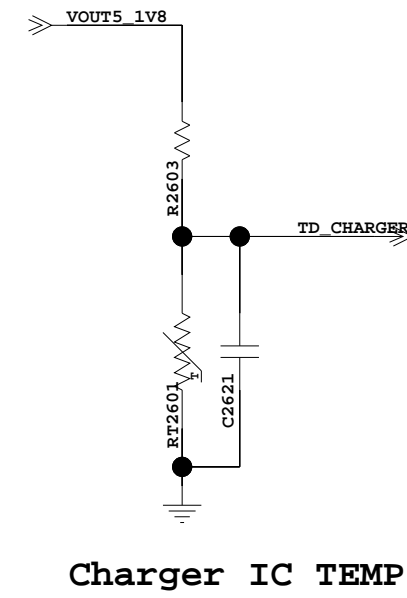
Ambient Light



Hot Area TMP sensor



Hot Area TMP sensor



The type and specification of the components refer to the BOM

					2012-09-20
				HL1BLNM	2016-05-17
				ECA NO	DATE
DESIGNED	HEQUANTAO 00278224	HL1BLNM		03023VXH_SCHZH	
REVIEWED	LIZHAO 00213340	VER	PART_NUMBER	SHEET 26_X@ens55	
		E	03023VXH	HUAWAI TECH CO.,LTD.	

27. NFC_Reserved

A

A

B

B

C

C

D

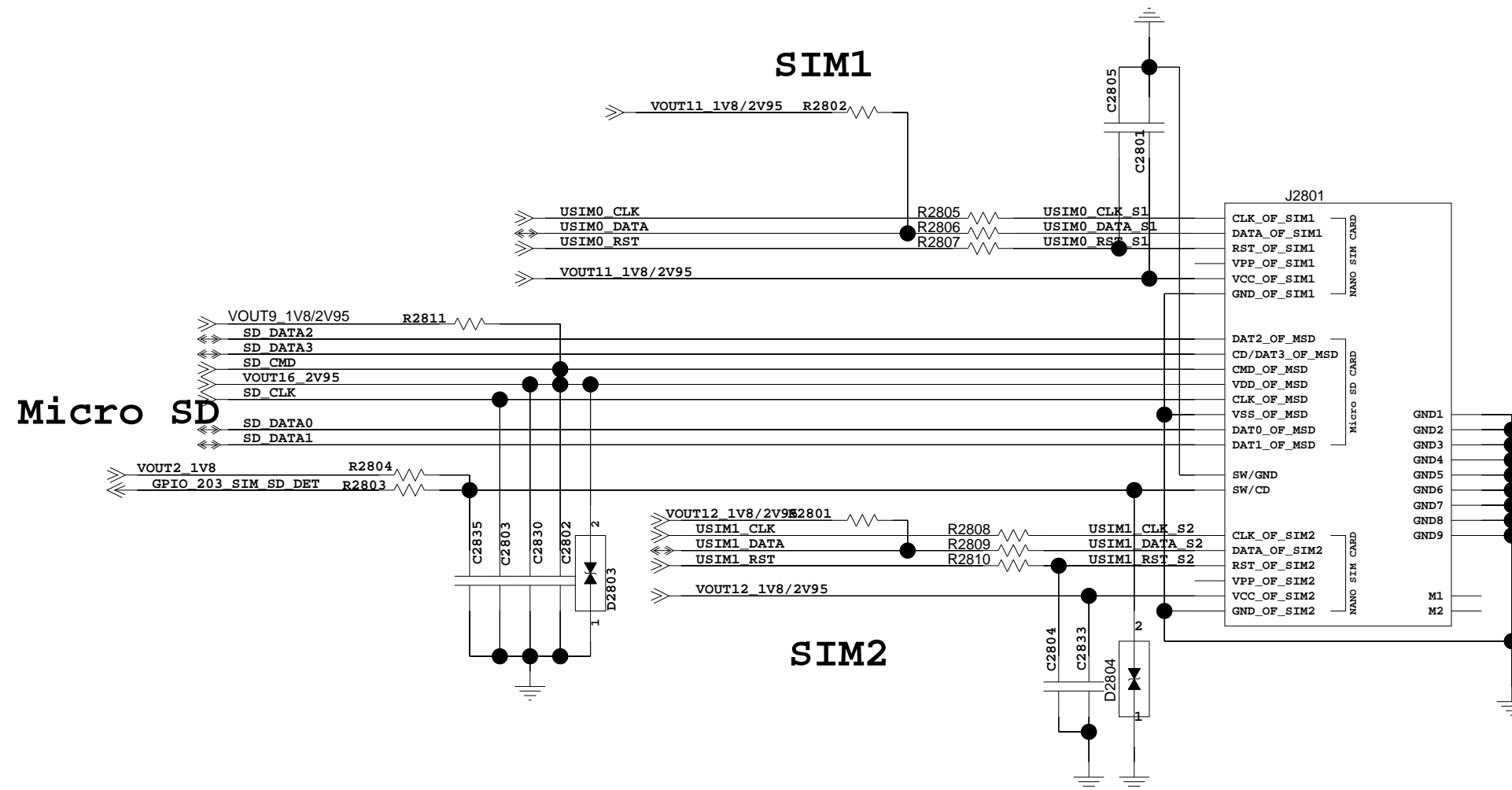
D

The type and specification of the components refer to the BOM

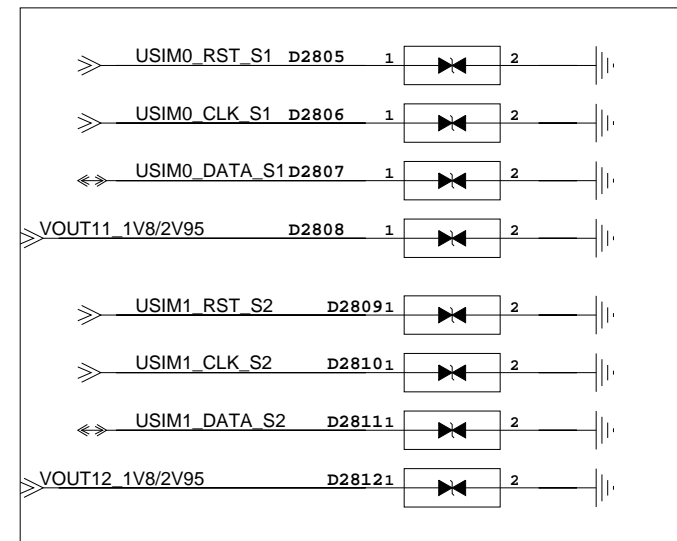
				HL1BLNM	2016-05-17
				ECA NO	DATE
DESIGNED	HEQUANTAO 00278224			HL1BLNM 03023VXH_SCHZH	
REVIEWED	LIZHAO 00213340			HL1BLNM 03023VXH_SCHZH	
		VER	PART_NUMBER	SHEET 27_NFC_Reserved	
		E	03023VXH	HUAWEI TECH CO.,LTD.	

28. SIM/SD Card

Nano SIM Card 1: TDD-LTE/FDD-LTE/TD-SCDMA /WCDMA/CDMA1X&EVDO/GSM



Nano SIM Card 2: TDD-LTE/FDD-LTE/TD-SCDMA /WCDMA/CDMA1X&EVDO/GSM and Micro SD



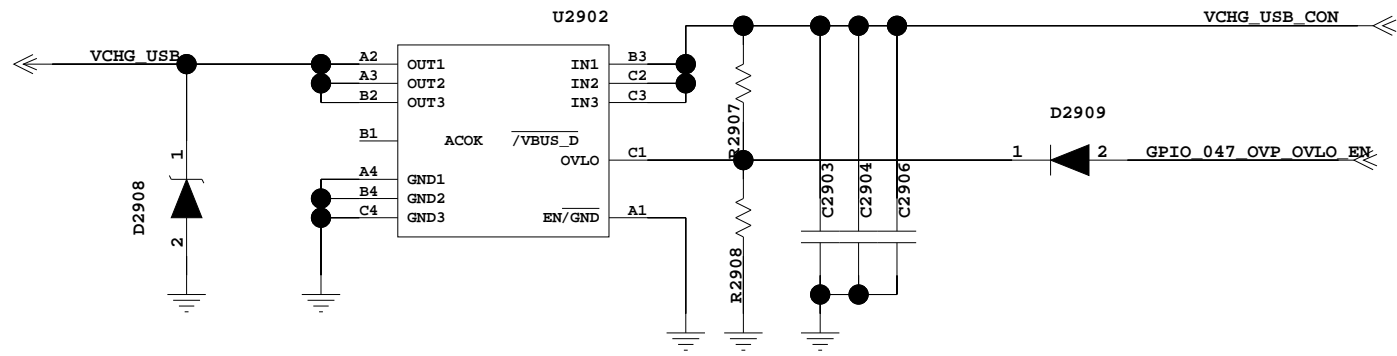
Placed close to Card Tray

The type and specification of the components refer to the BOM

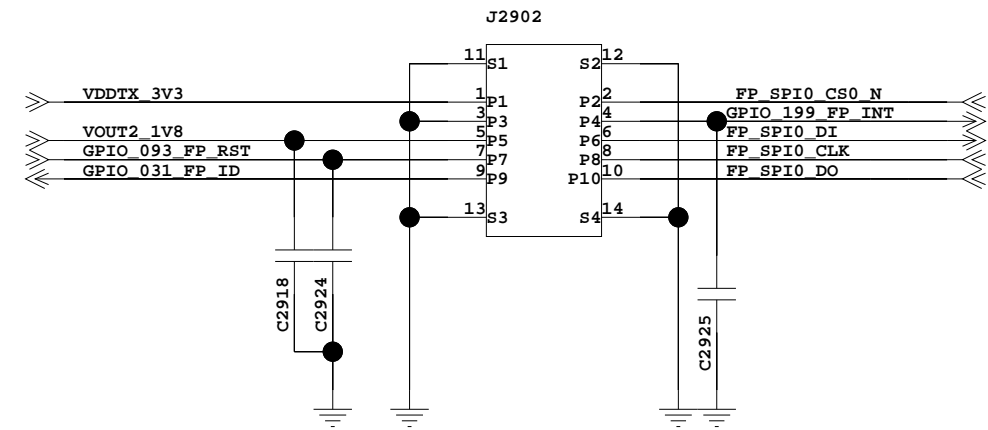
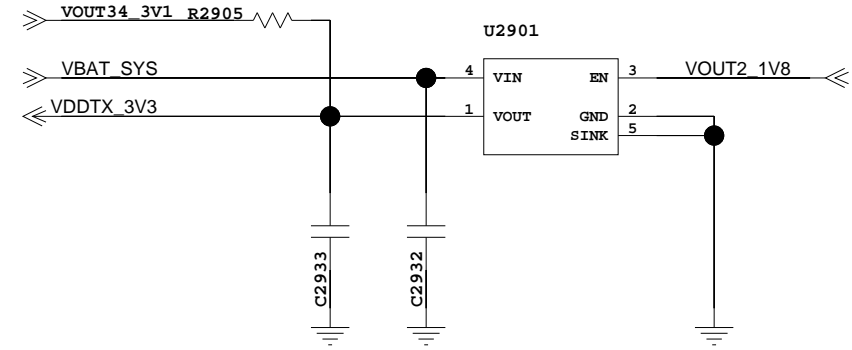
				HL1BLNM	2016-05-17
				ECA NO	DATE
DESIGNED	HEQUANTAO 00278224			HL1BLNM	03023VXH_SCHZH
REVIEWED	LIZHAO 00213340				
		VER	PART_NUMBER	SHEET 28_SIM/SD56ard	
		E	03023VXH	HUAWAI TECH CO.,LTD.	

29. FPC Interface

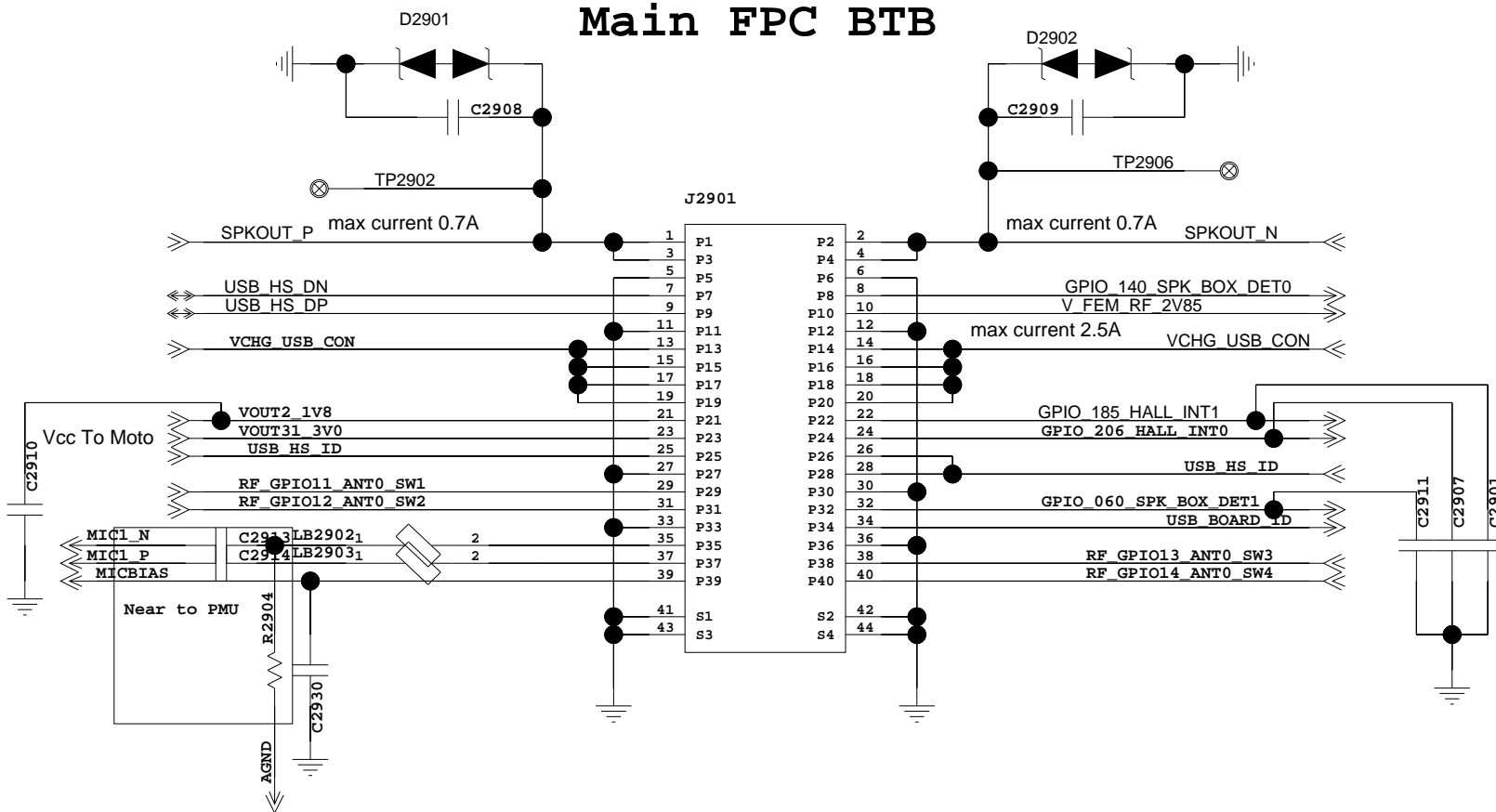
For Protect should closed to J2901



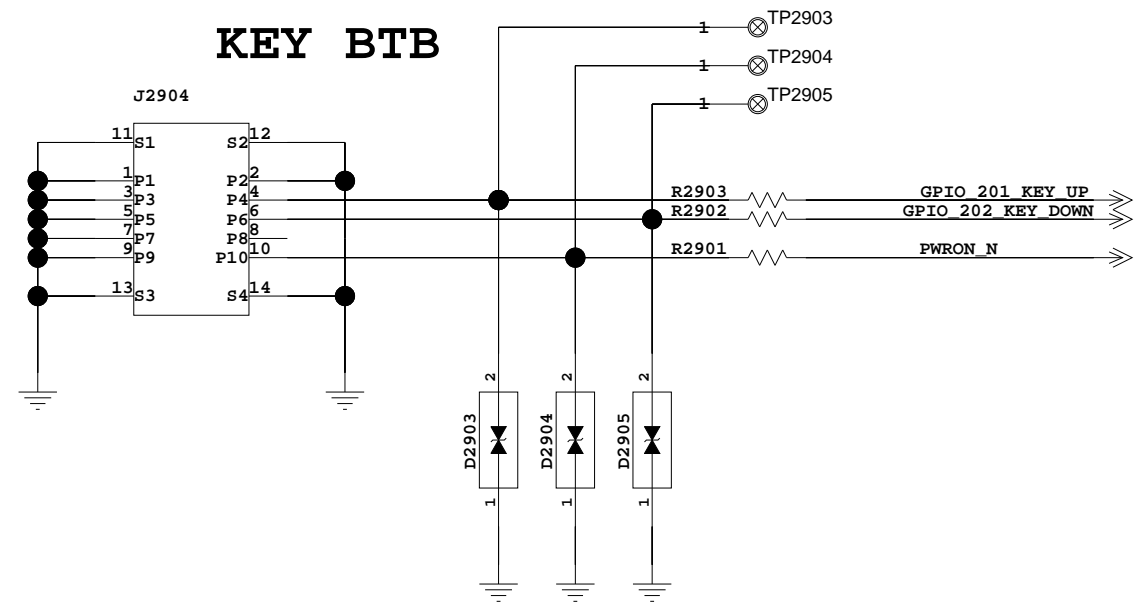
FingerPrint BTB



Main FPC BTB



KEY BTB

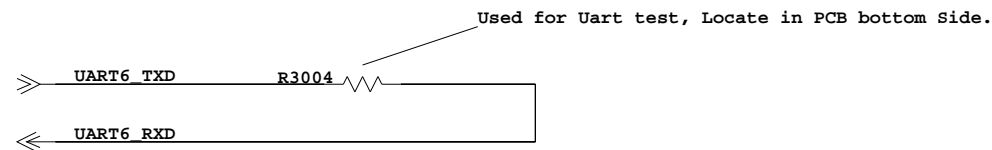
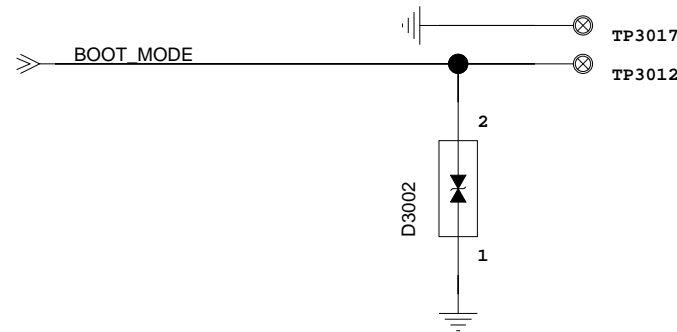
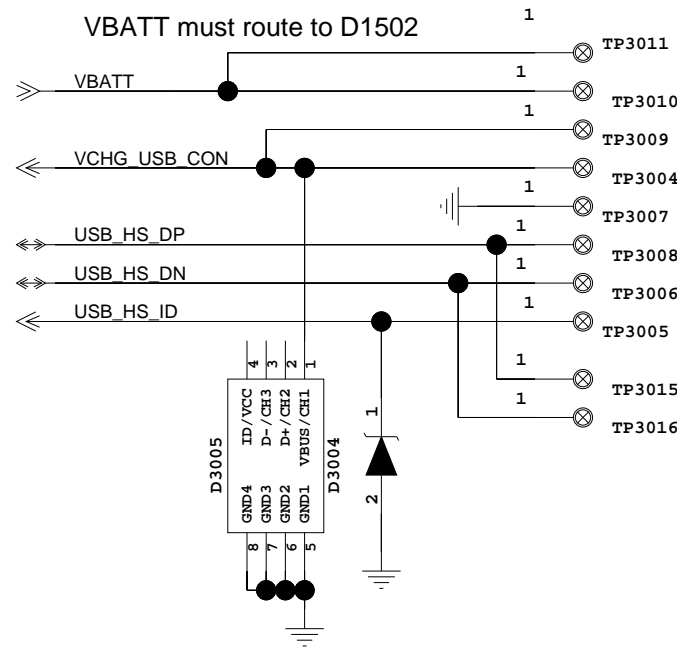
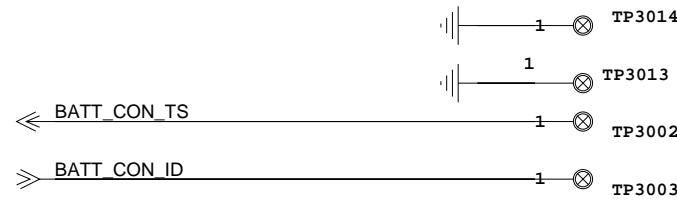


The type and specification of the components refer to the BOM

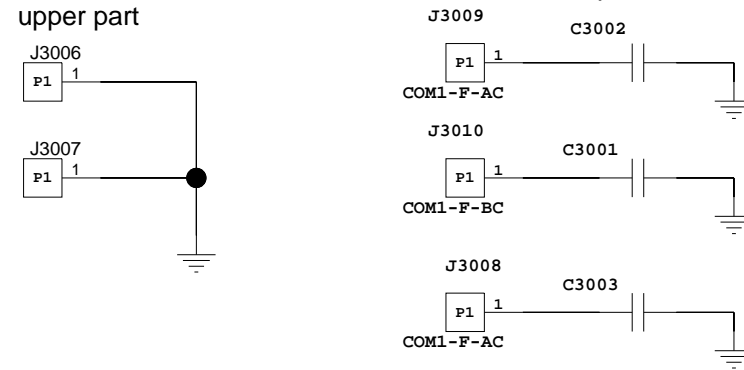
				11-07-2016_20:09
			HL1BLNM	2016-05-17
			ECA NO	DATE
DESIGNED	HEQUANTAO 00278224	HL1BLNM		03023VXH_SCHZH
REVIEWED	LIZHAO 00213340			
		VER	PART_NUMBER	SHEET 29_FPC Interface
		E	03023VXH	HUAWEI TECH CO.,LTD.

30. Test Points/Shielding

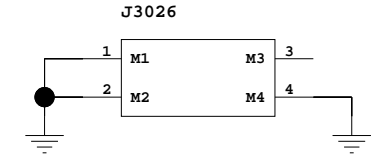
CT BT



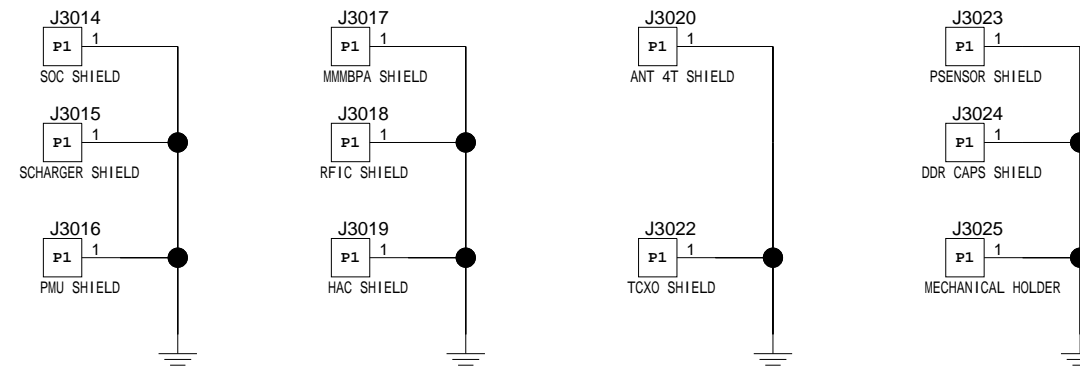
GND springs



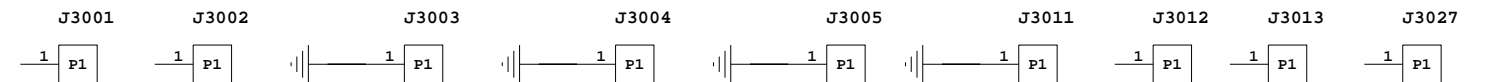
Front Camera Bracket



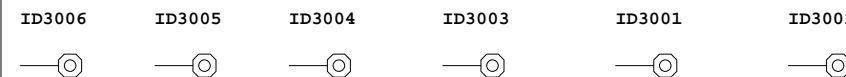
Shielding



HOLE



MARK POINT

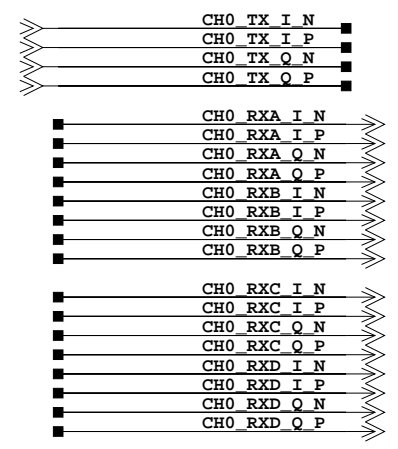


The type and specification of the components refer to the BOM

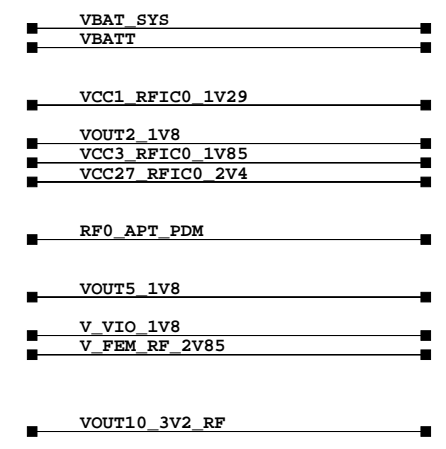
					11-07-2016_20:09
				HL1BLNM	2016-05-17
				ECA NO	DATE
DESIGNED	HEQUANTAO 00278224	HL1BLNM		03023VXH_SCHZH	
REVIEWED	LIZHAO 00213340				
		VER	PART_NUMBER	SHEET 30 Test Points/Shield	
		E	03023VXH	HUAWAI TECH CO.,LTD.	

31_RF interface

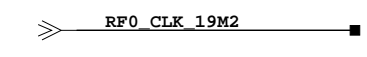
RFIC0 IQ



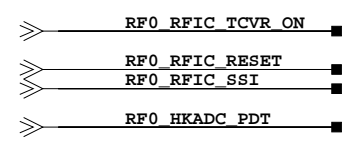
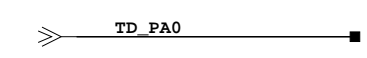
Power



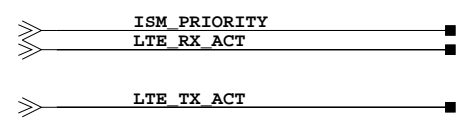
CLOCK



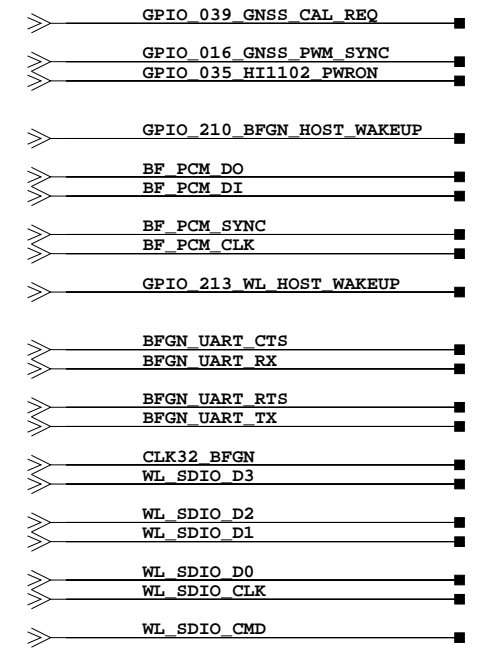
PA temperature



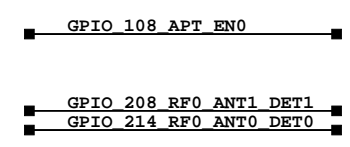
LTE WIFI COEXT



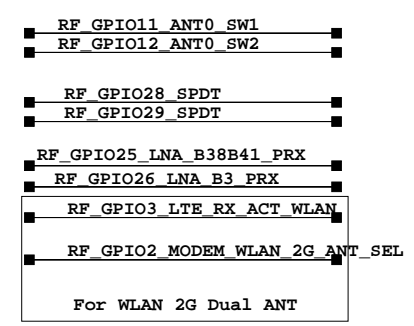
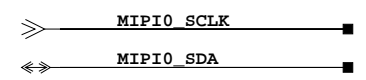
NC



GPIO Interface



MIPI Interface

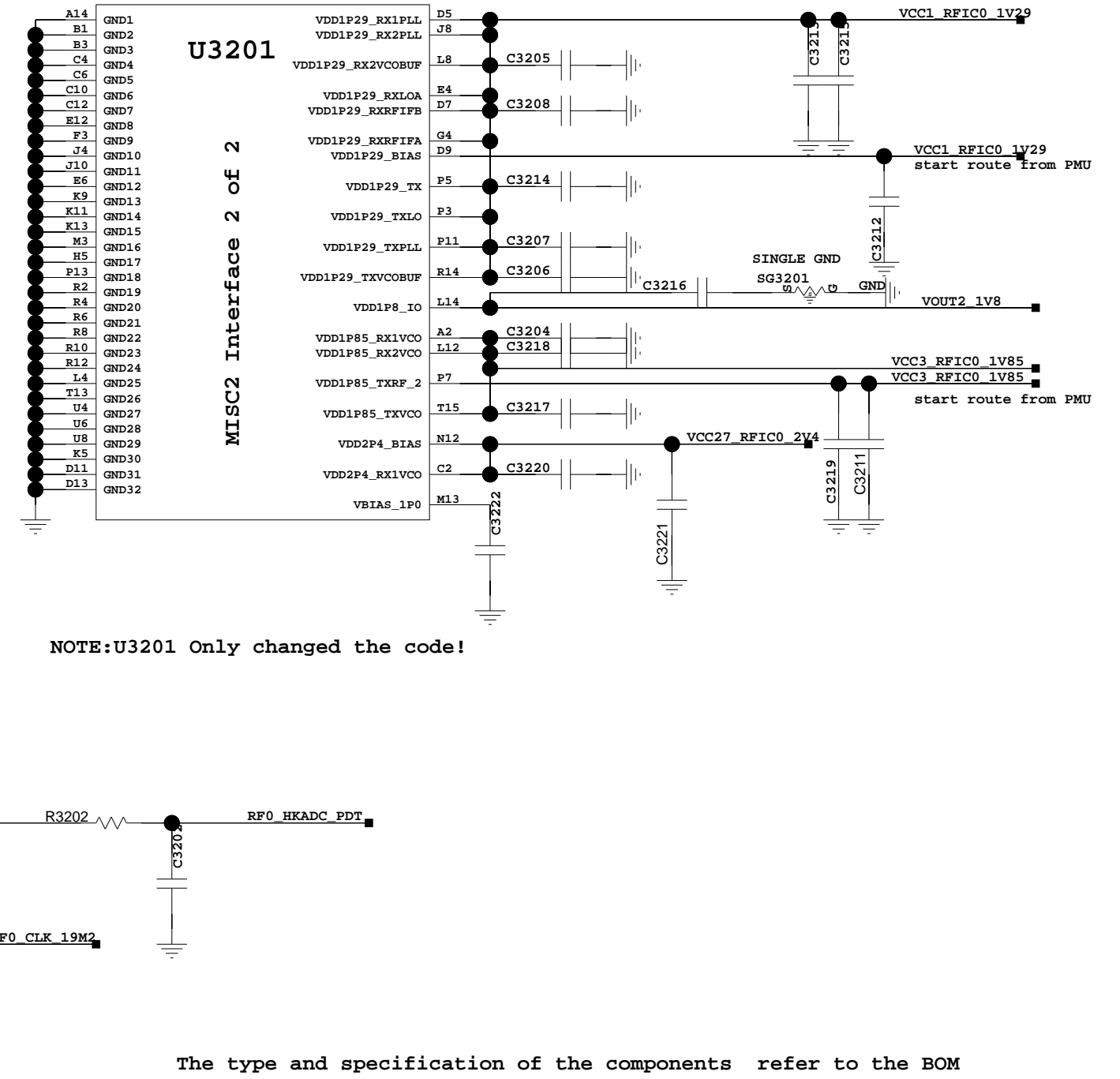
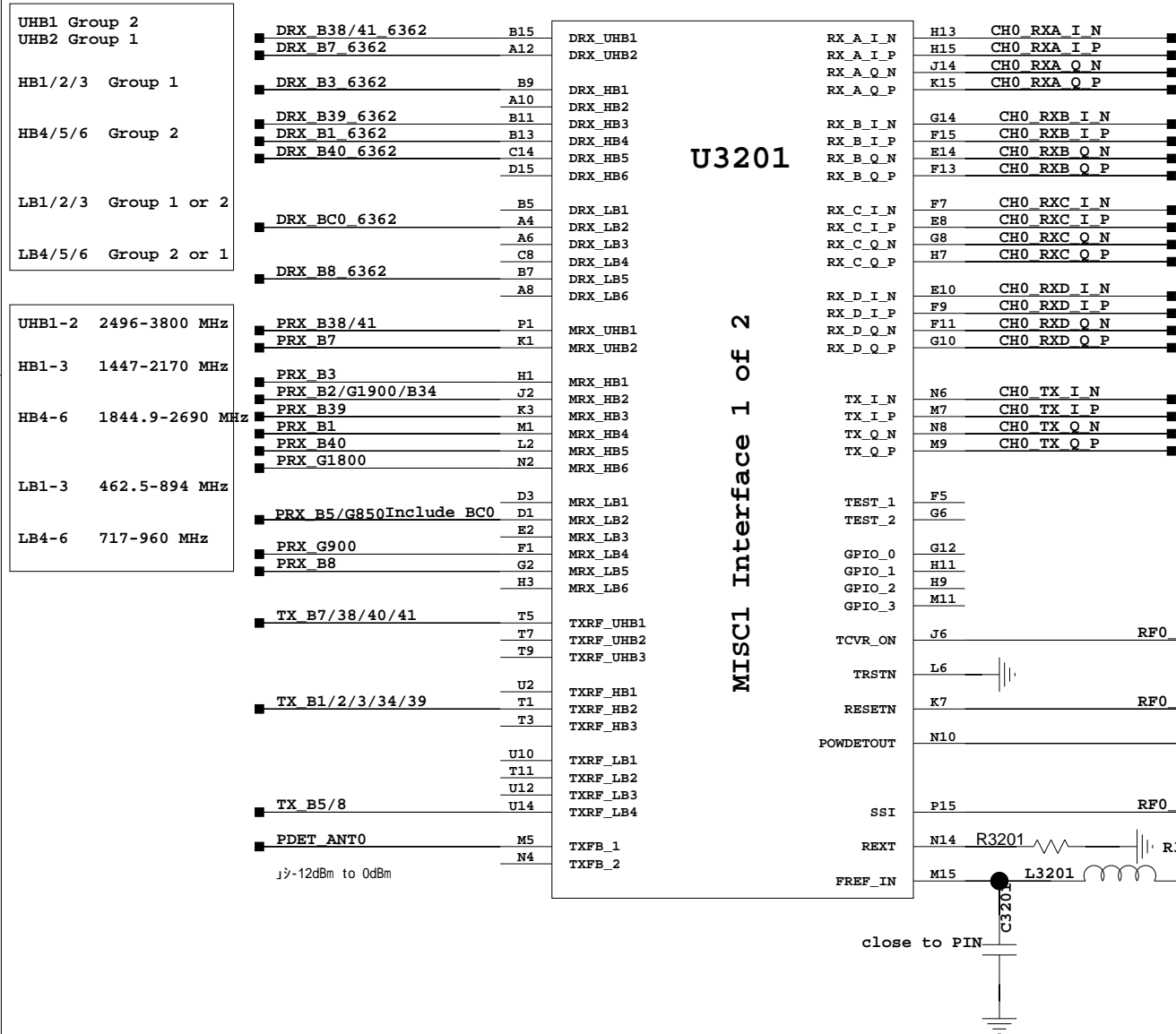


The type and specification of the components refer to the BOM

				HL1BLNM	2016-05-17
				ECA NO	DATE
DESIGNED	HEQUANTAO 00278224	HL1BLNM		03023VXH_SCHZH	
REVIEWED	LIZHAO 00213340				
		VER	PART_NUMBER	SHEET 31_RF interface	
		C	03023VXH	HUAWEI TECH CO.,LTD.	

32_RF Transceiver0

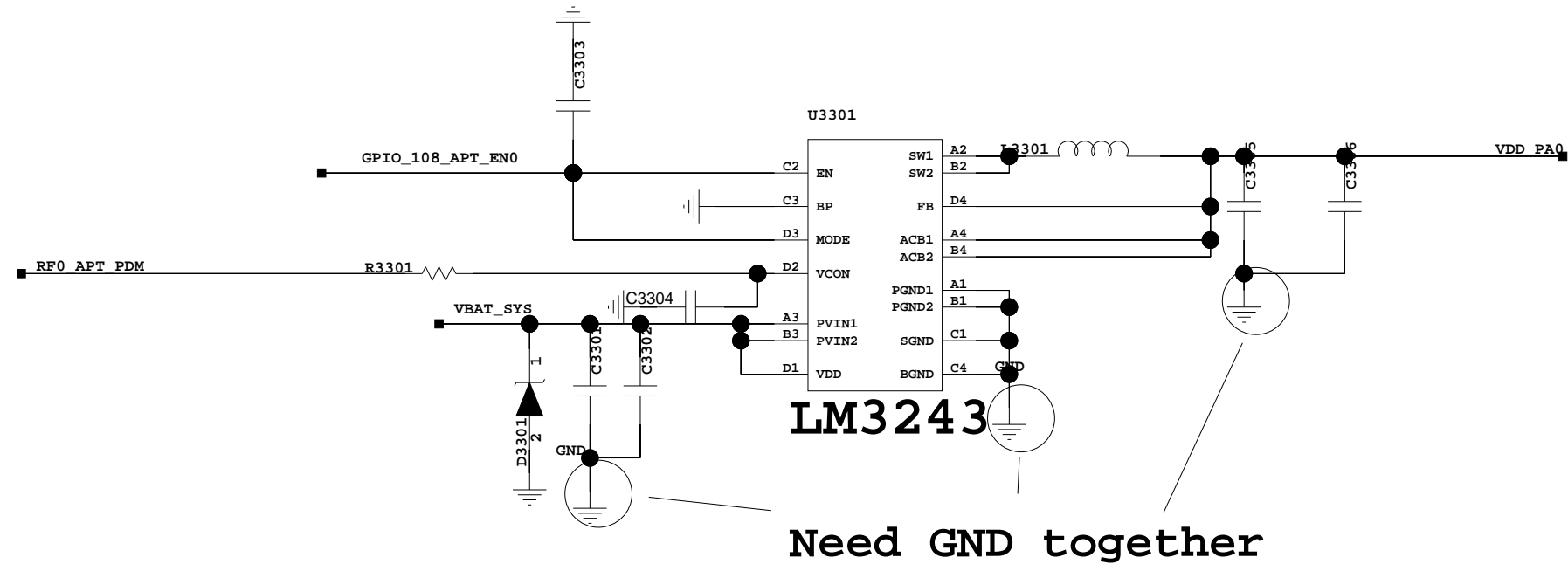
Note: HB4 & 5 can be configured to RF Group 1 with degraded RF performance
 Only HB3 and HB5 support intra-band non-cont CA, other ports support intra-band cont CA.



The type and specification of the components refer to the BOM

				HL1BLNM	2016-05-17
				ECA NO	DATE
DESIGNED	HEQUANTAO 00278224	HL1BLNM		03023VXH_SCHZH	
REVIEWED	LIZHAO 00213340				
		VER	PART_NUMBER	SHEET	32_RF Transceiver0
		C	03023VXH	HUAWEI TECH CO.,LTD.	

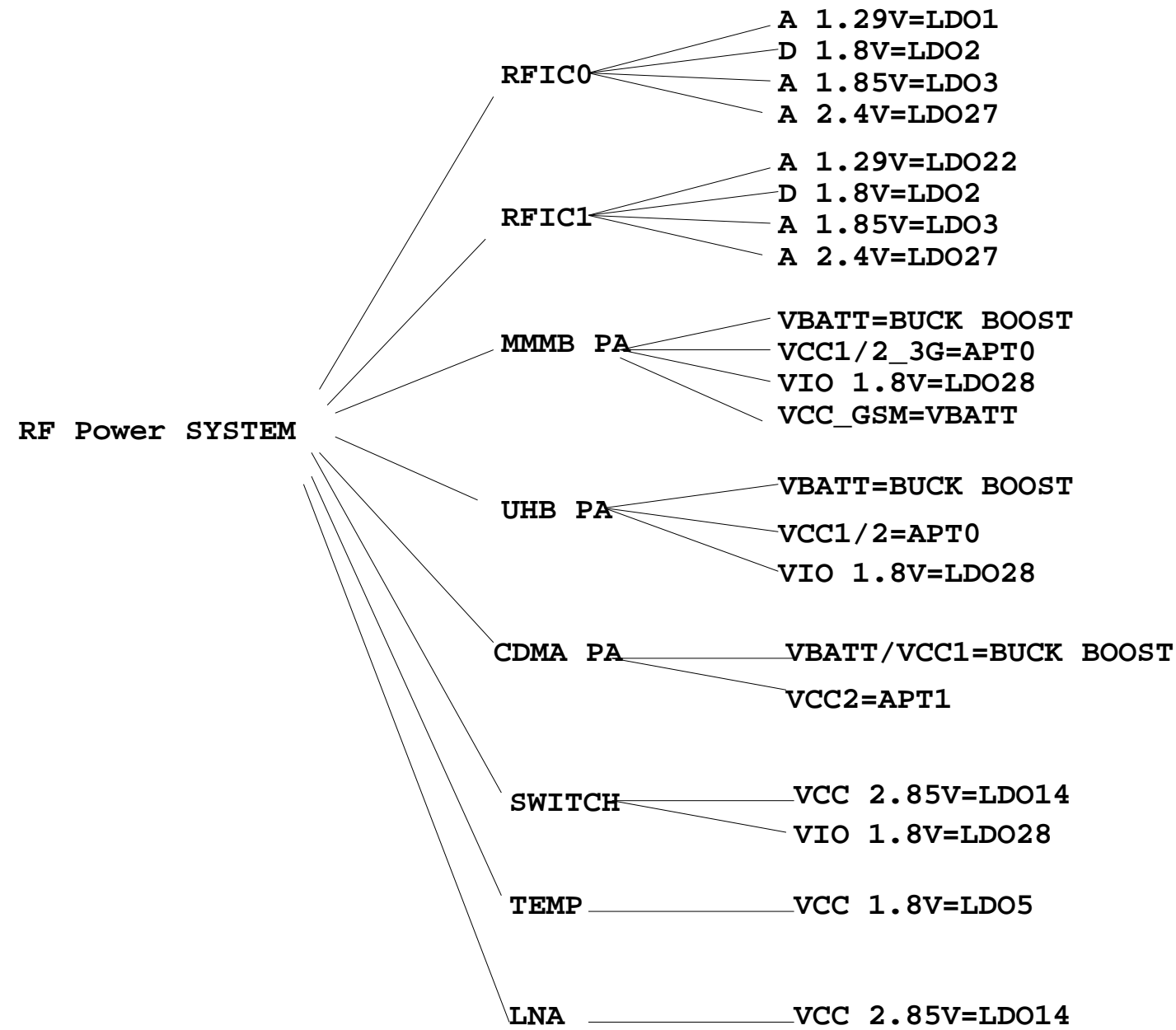
33_APT Power



The type and specification of the components refer to the BOM

				HL1BLNM	2016-05-17
				ECA NO	DATE
DESIGNED	HEQUANTAO 00278224	HL1BLNM		03023VXH_SCHZH	
REVIEWED	LIZHAO 00213340				
		VER	PART_NUMBER	SHEET	33_APT Power
		C	03023VXH	HUAWEI TECH CO.,LTD.	

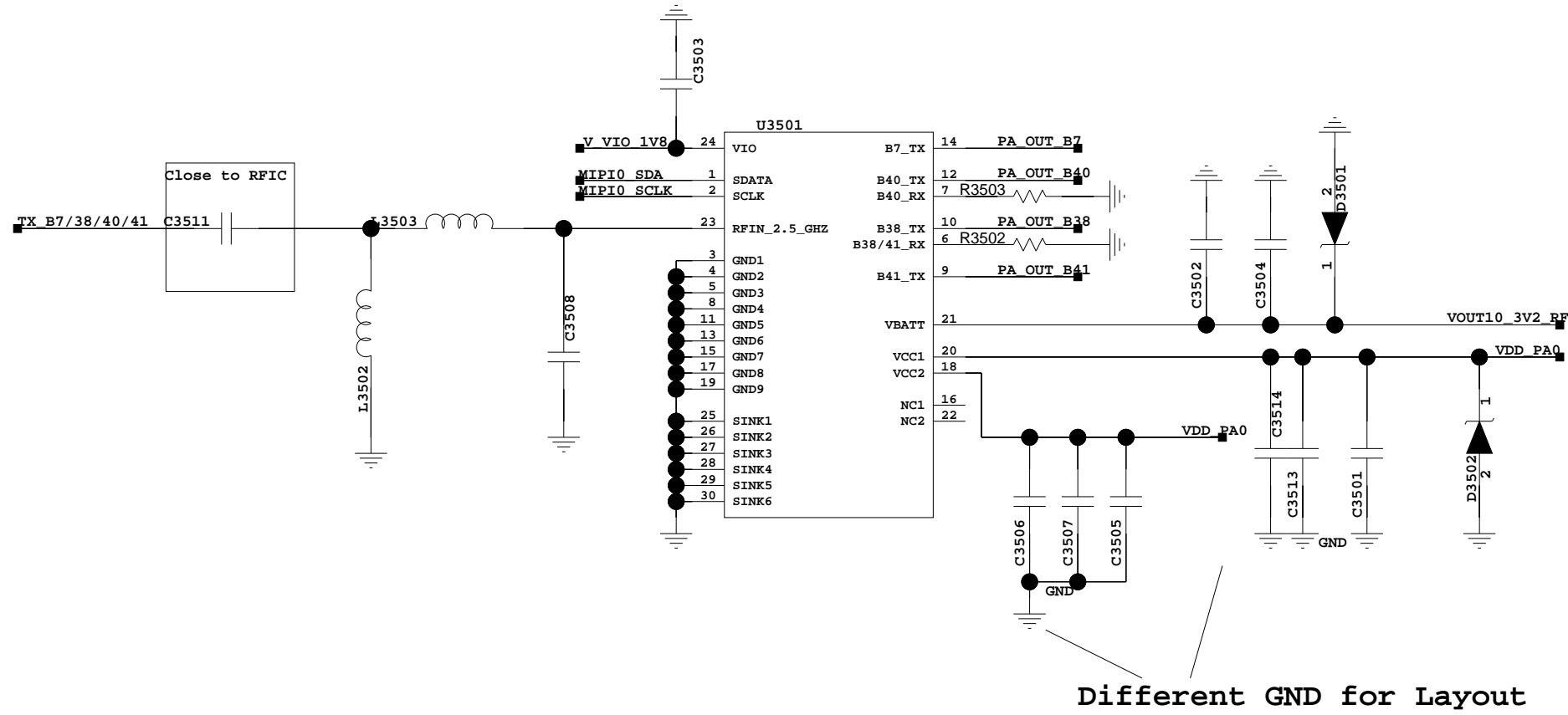
34_RF Power System



The type and specification of the components refer to the BOM

				HL1BLNM	2016-05-17
				ECA NO	DATE
DESIGNED	HEQUANTAO 00278224	HL1BLNM		03023VXH_SCHZH	
REVIEWED	LIZHAO 00213340				
		VER	PART_NUMBER	SHEET	34_RF Power System
		C	03023VXH	HUAWEI TECH CO.,LTD.	

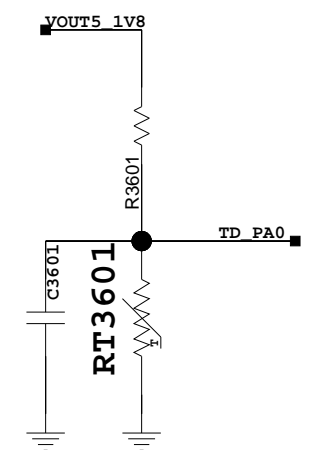
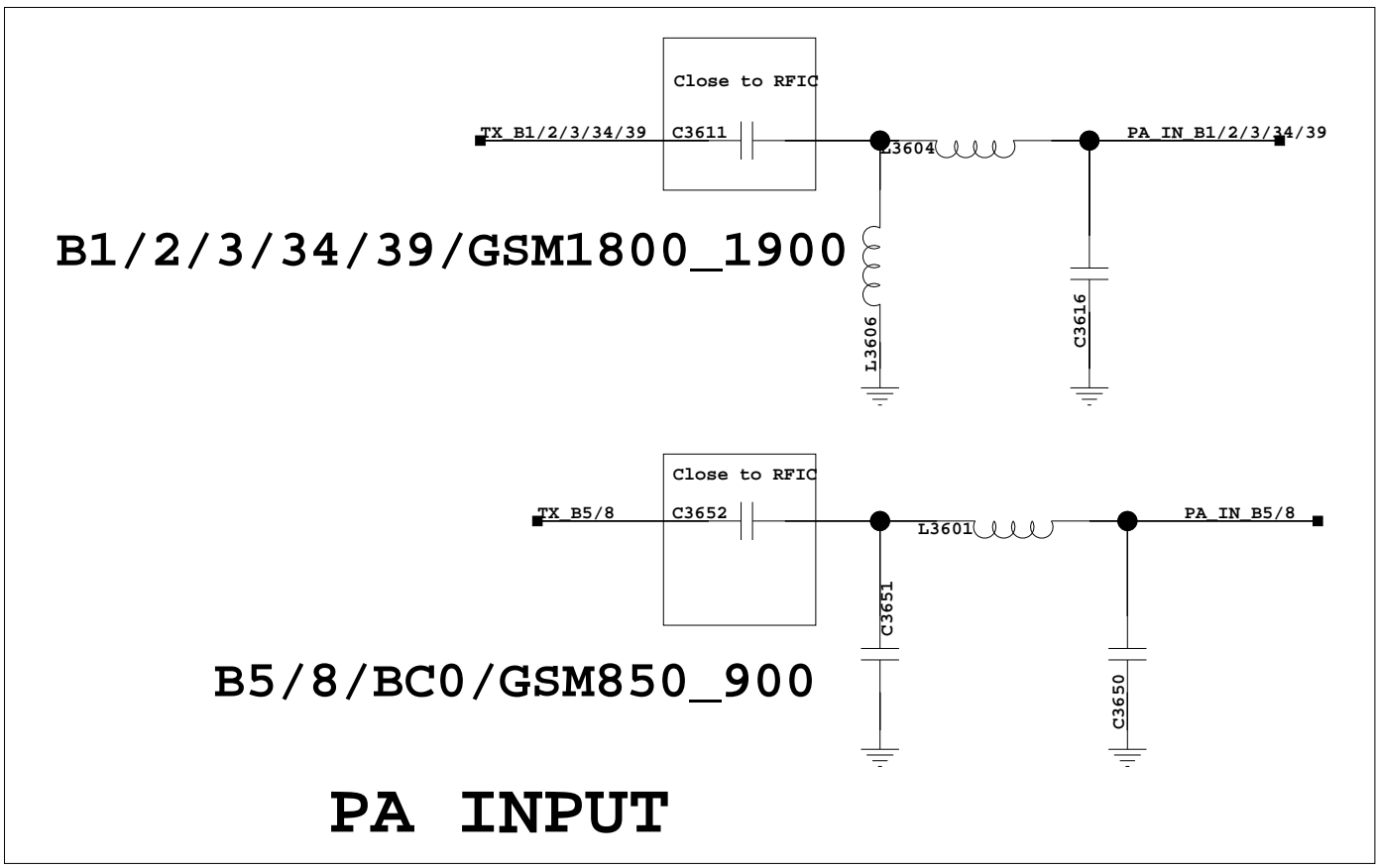
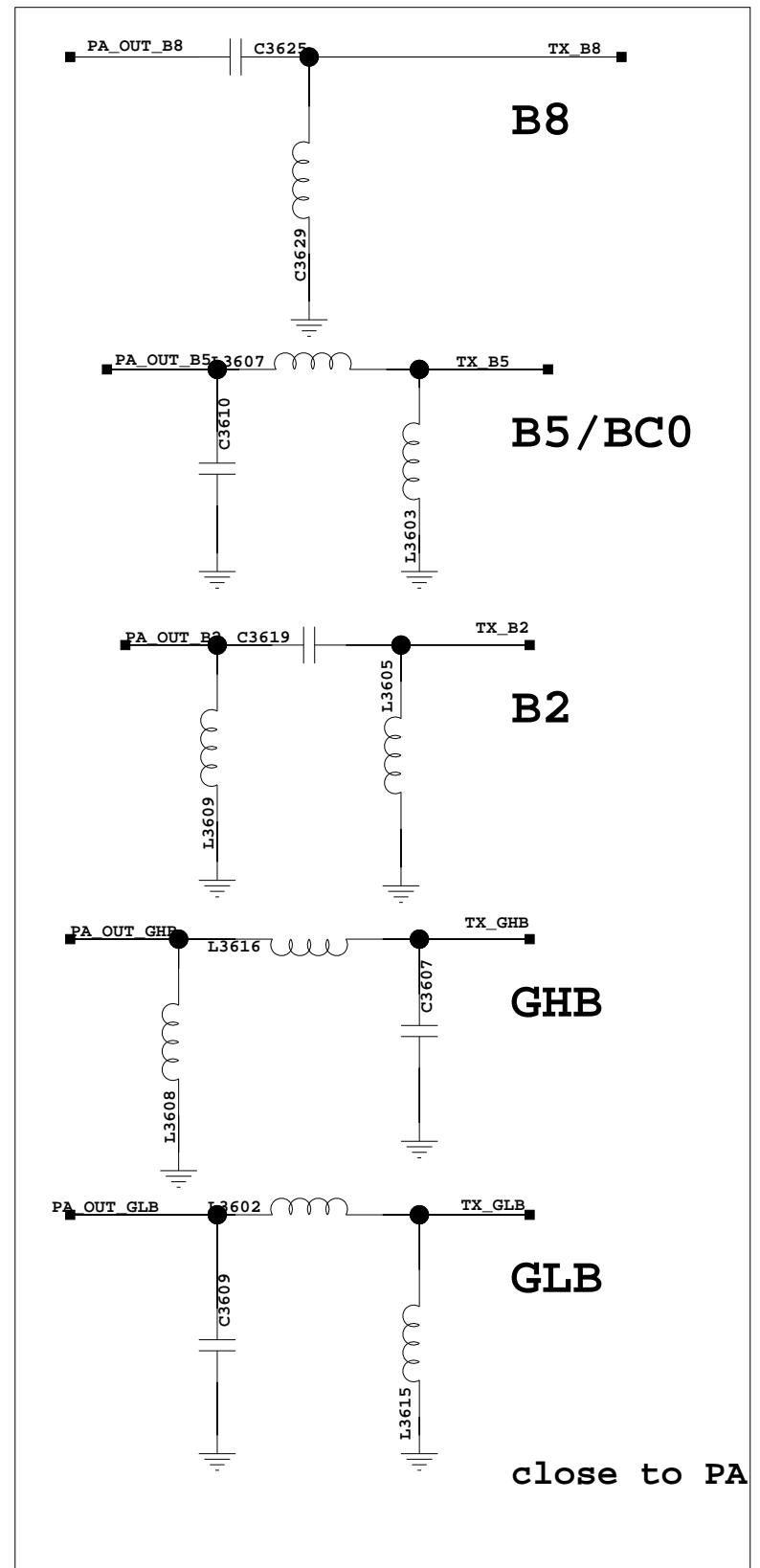
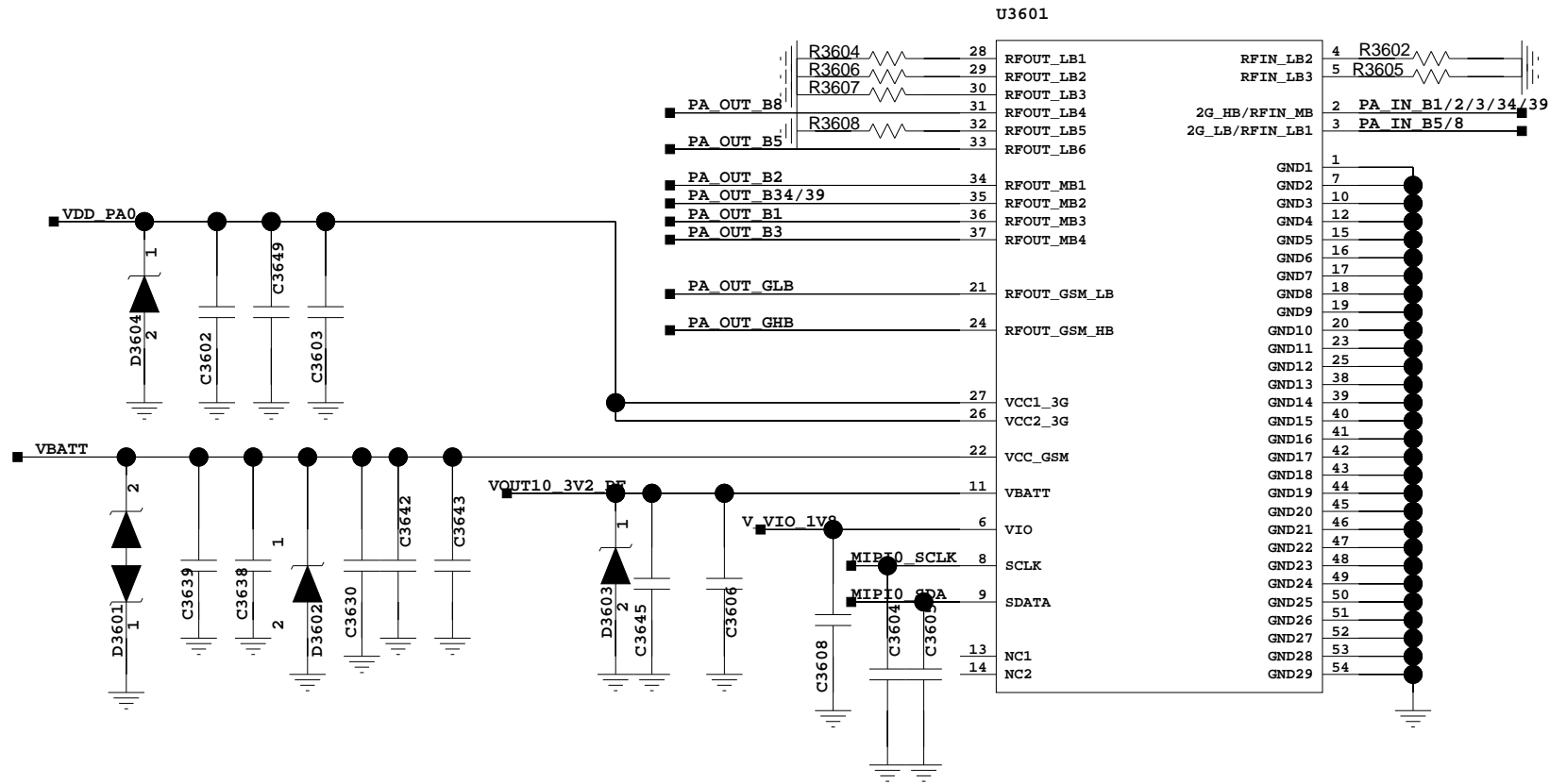
35. UHB PA



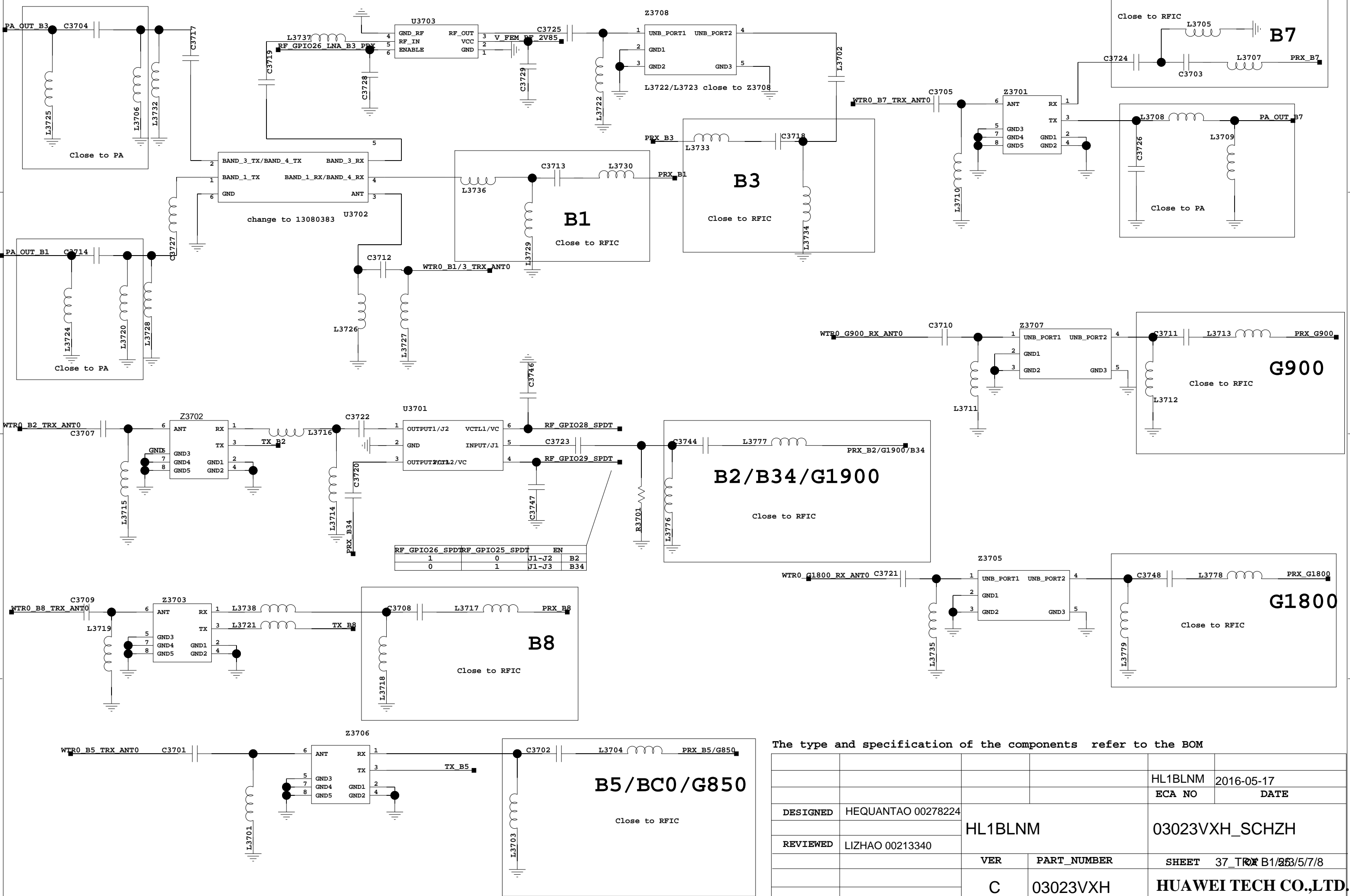
The type and specification of the components refer to the BOM

				HL1BLNM	2016-05-17
				ECA NO	DATE
DESIGNED	HEQUANTAO 00278224	HL1BLNM		03023VXH_SCHZH	
REVIEWED	LIZHAO 00213340				
		VER	PART_NUMBER	SHEET 35_UHB PA55	
		C	03023VXH	HUAWAI TECH CO.,LTD.	

36. MMMB PA



37.TRX B1/2/3/5/7/8

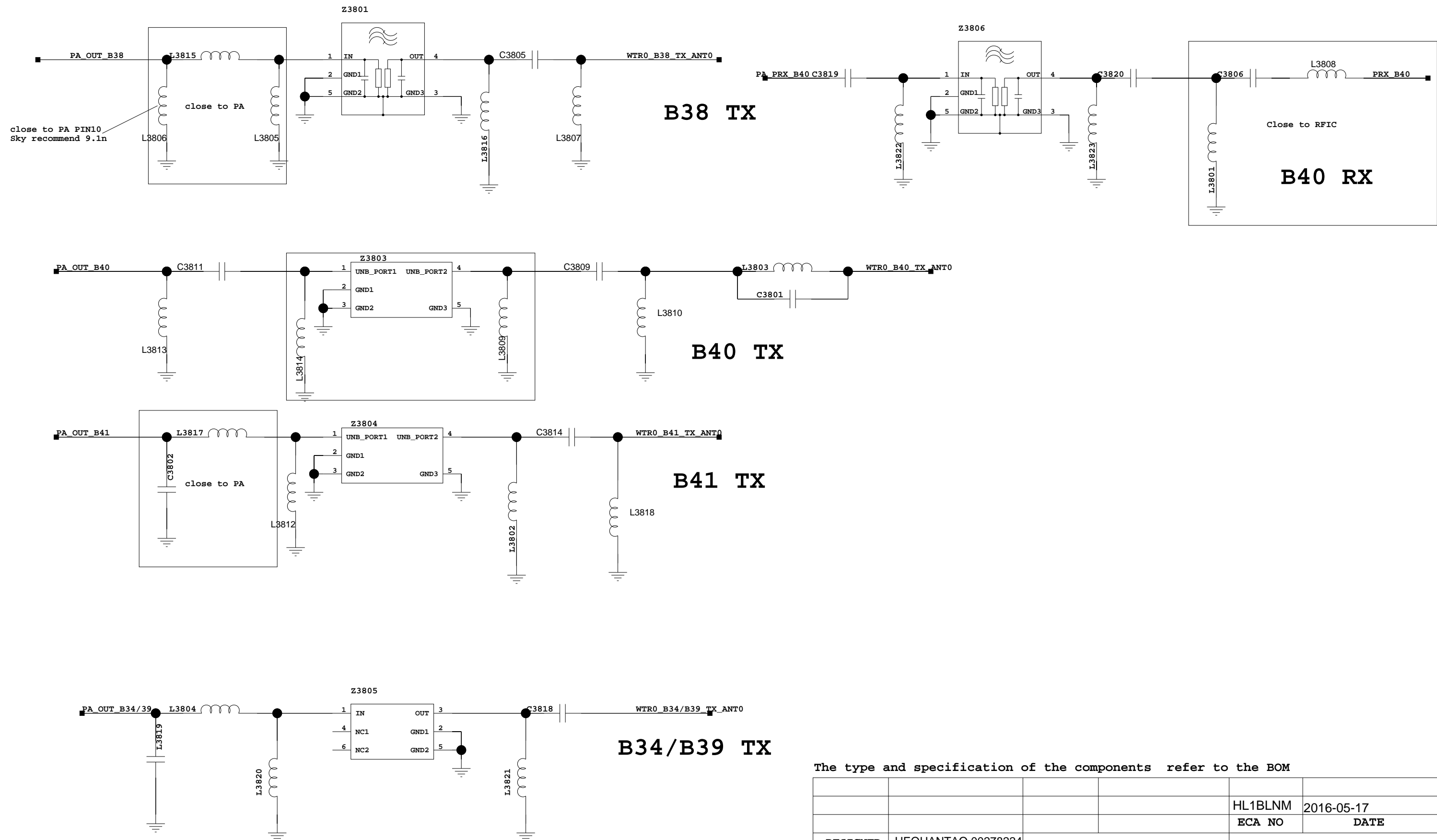


The type and specification of the components refer to the BOM

DESIGNED	HEQUANTAO 00278224	HL1BLNM	03023VXH_SCHZH
REVIEWED	LIZHAO 00213340	HL1BLNM	03023VXH_SCHZH
		VER	PART_NUMBER
		C	03023VXH
		SHEET	37_TRX B1/2/3/5/7/8
		HUAWAI TECH CO.,LTD.	

HL1BLNM	2016-05-17
ECA NO	DATE

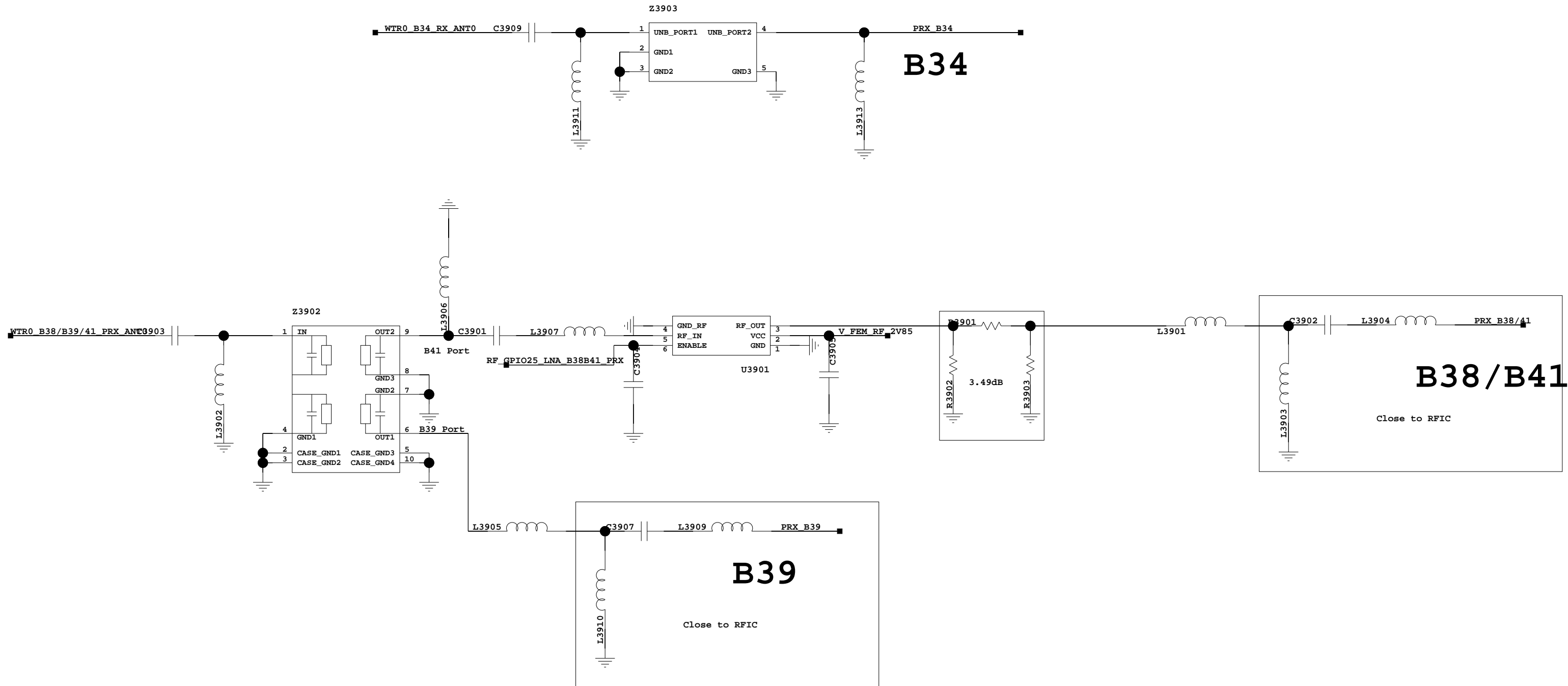
38.TRX B34/38/39/40/41



The type and specification of the components refer to the BOM

				HL1BLNM	2016-05-17
				ECA NO	DATE
DESIGNED	HEQUANTAO 00278224	HL1BLNM		03023VXH_SCHZH	
REVIEWED	LIZHAO 00213340	VER	PART_NUMBER	SHEET	38_TRX B34/38/39/40/41
		C	03023VXH	HUAWEI TECH CO.,LTD.	

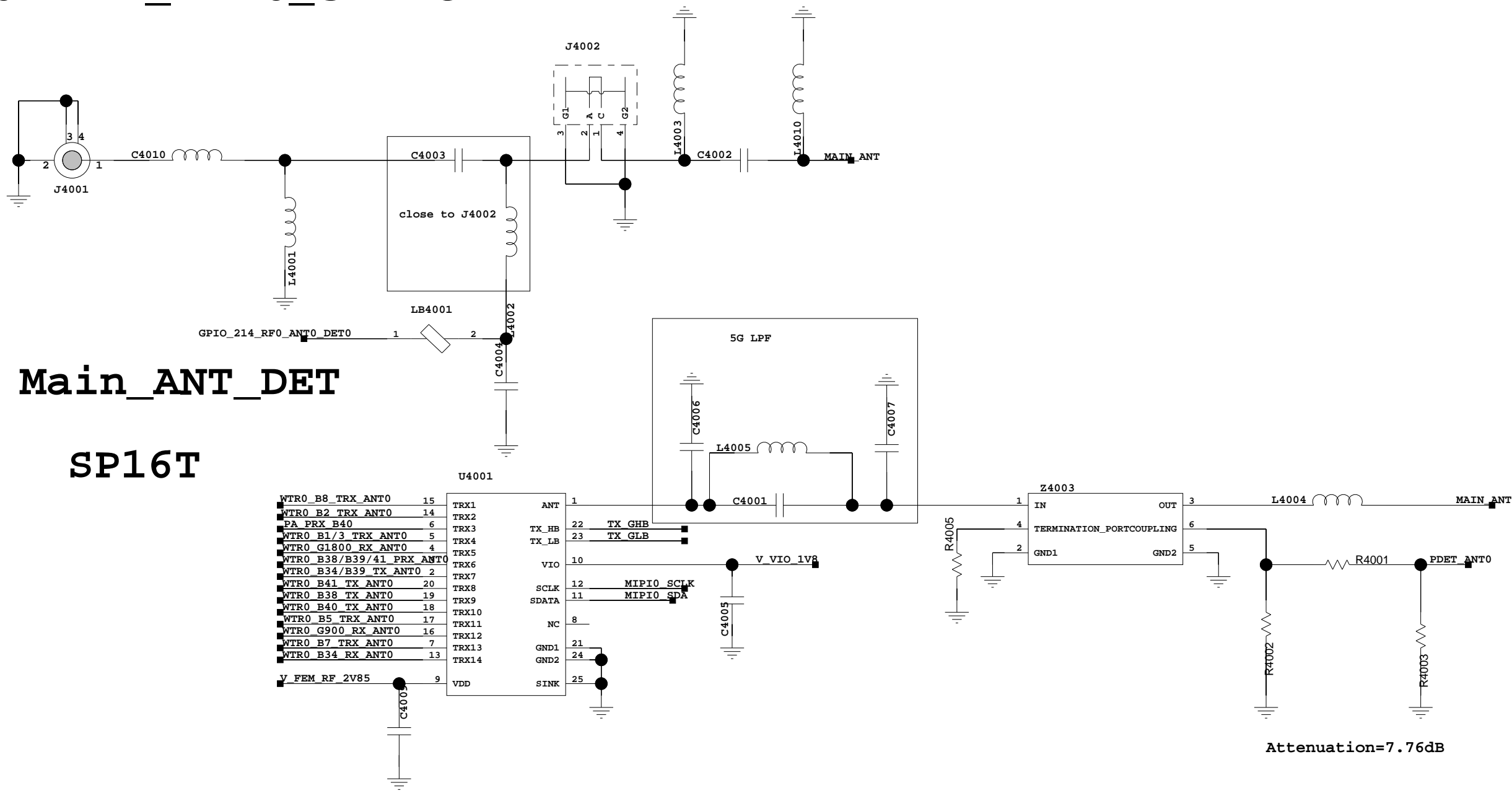
39_PRX B34/39/41/38



The type and specification of the components refer to the BOM

				HL1BLNM	2016-05-17
				ECA NO	DATE
DESIGNED	HEQUANTAO 00278224	HL1BLNM		03023VXH_SCHZH	
REVIEWED	LIZHAO 00213340	VER	PART_NUMBER	SHEET	39_PRX B34/39/41/38
		C	03023VXH	HUAWAI TECH CO.,LTD.	

40.MAIN_ANT0_SWITCH



Main_ANT_DET

SP16T

DIV diplexer

Attenuation=7.76dB

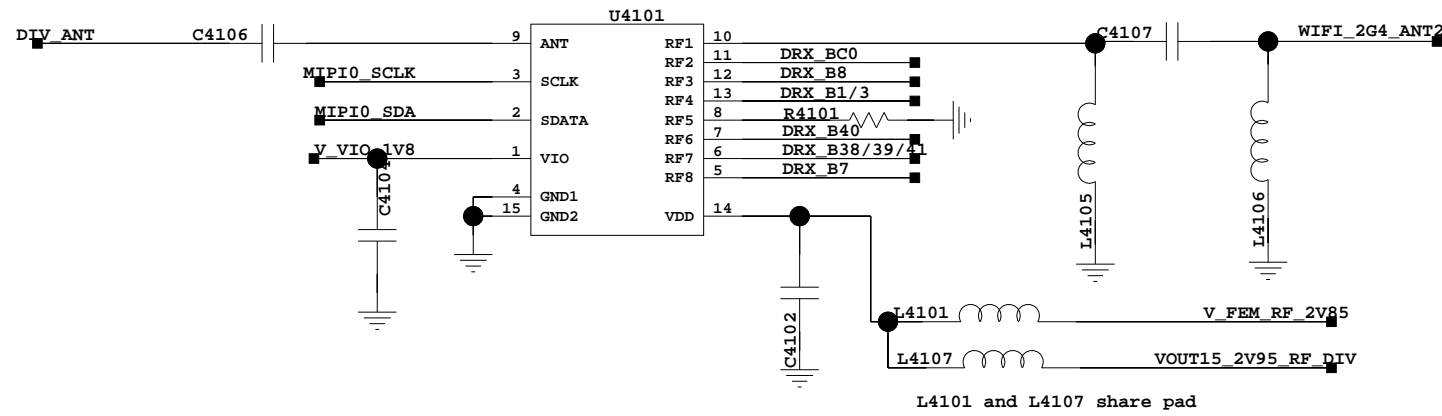
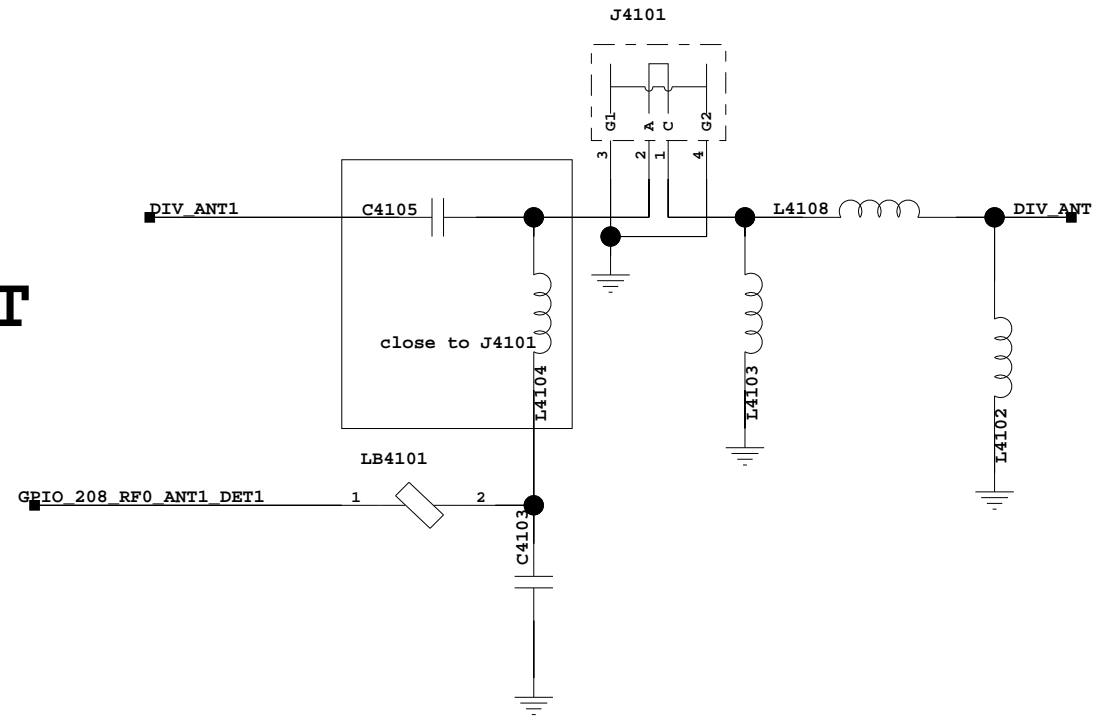
The type and specification of the components refer to the BOM

				HL1BLNM	2016-05-17
				ECA NO	DATE
DESIGNED	HEQUANTAO 00278224	HL1BLNM		03023VXH_SCHZH	
REVIEWED	LIZHAO 00213340	VER	PART_NUMBER	SHEET	40_MAIN_ANT0_SWITCH
		C	03023VXH	HUAWEI TECH CO.,LTD.	

41.DIV_ANT1_SWITCH

DIV_ANT_DET

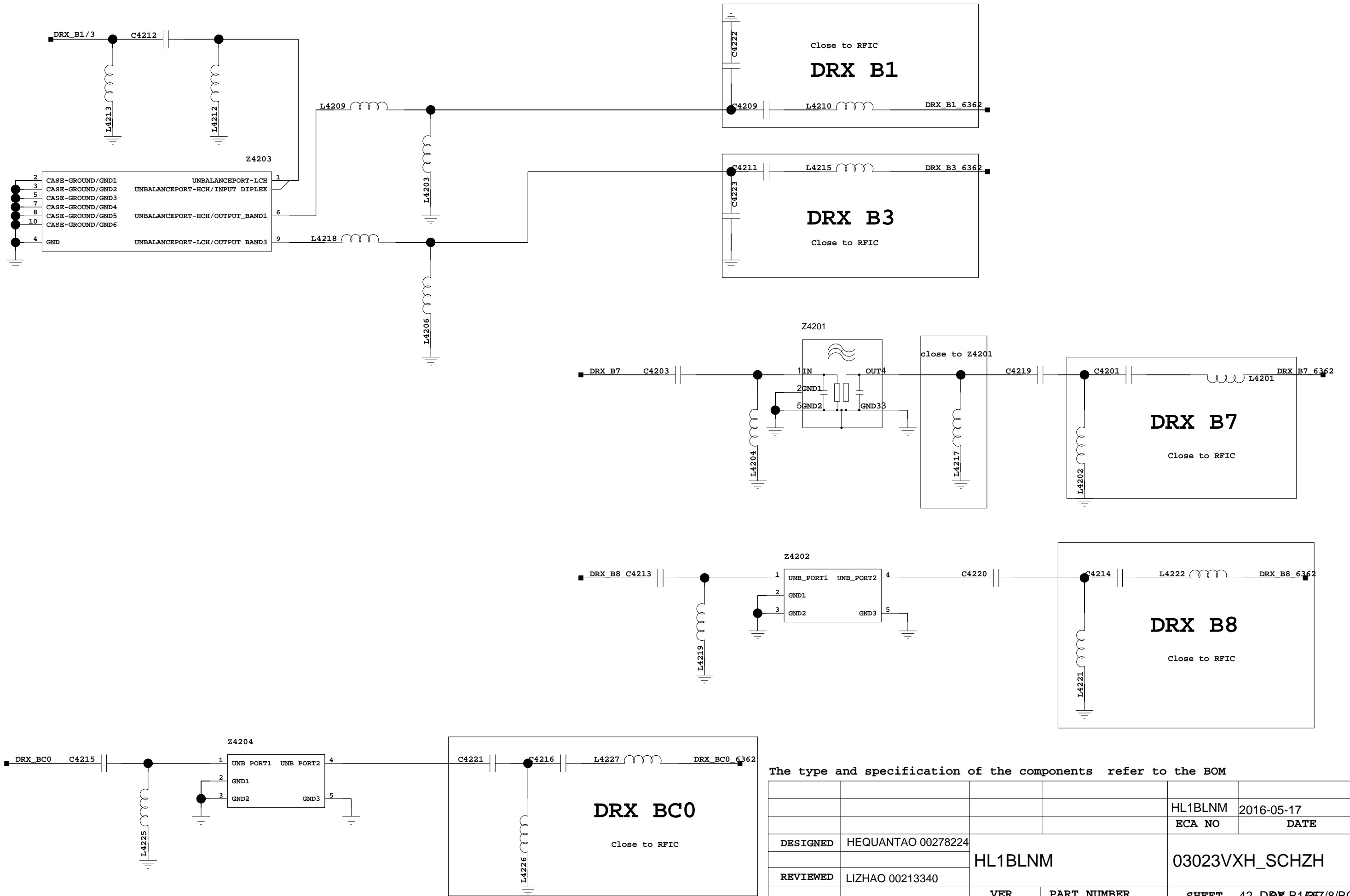
SP8T



The type and specification of the components refer to the BOM

				HL1BLNM	2016-05-17
				ECA NO	DATE
DESIGNED	HEQUANTAO 00278224	HL1BLNM		03023VXH_SCHZH	
REVIEWED	LIZHAO 00213340				
		VER	PART_NUMBER	SHEET 41_DIV_ANT1_SWITCH	
		C	03023VXH	HUAWEI TECH CO.,LTD.	

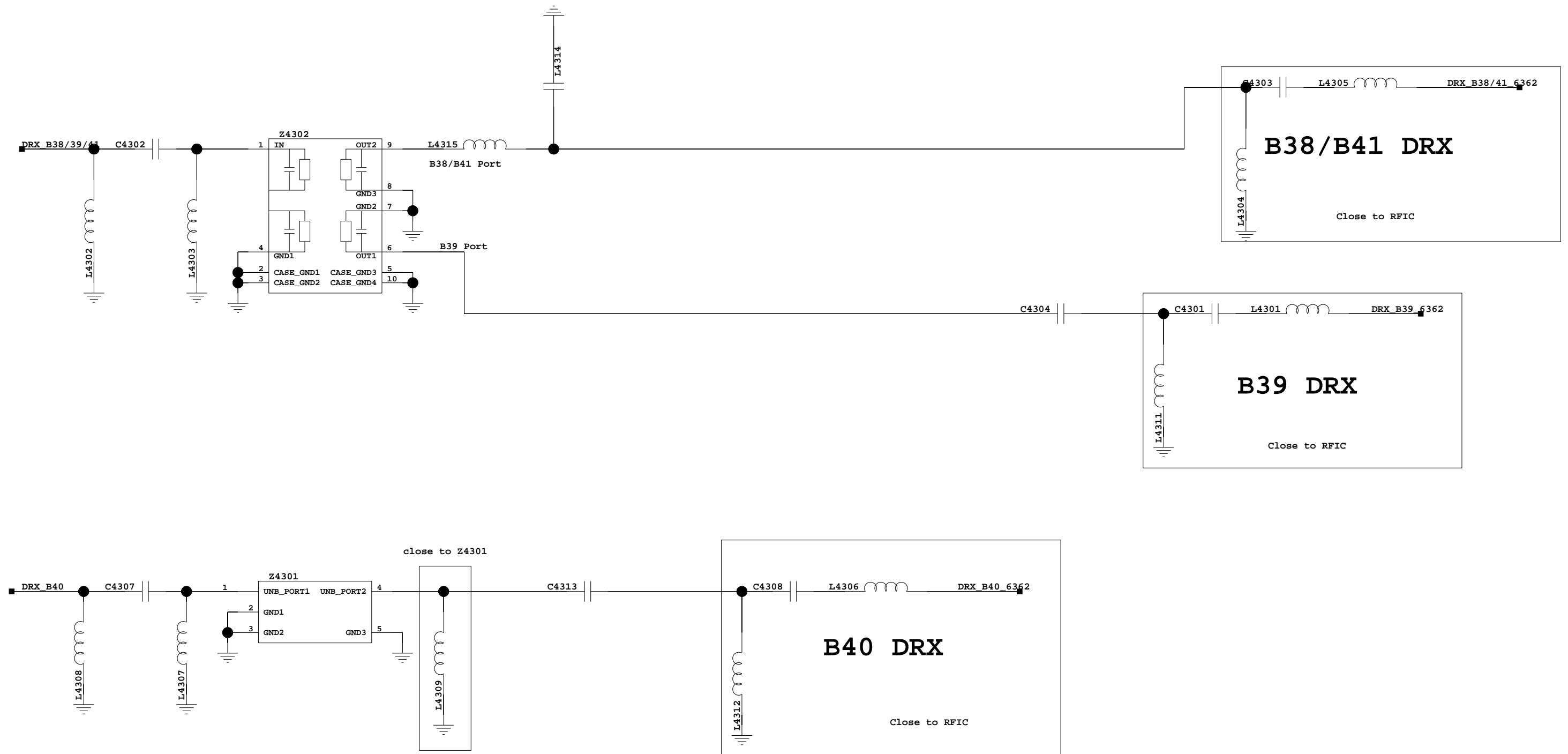
42.DRX B1/3/7/8/BC0



The type and specification of the components refer to the BOM

				HL1BLNM	2016-05-17
				ECA NO	DATE
DESIGNED	HEQUANTAO 00278224	HL1BLNM		03023VXH_SCHZH	
REVIEWED	LIZHAO 00213340	VER	PART_NUMBER	SHEET 42_DRX B1/3/7/8/BC0	
		C	03023VXH	HUAWEI TECH CO.,LTD.	

43.DRX B38/39/40/41



The type and specification of the components refer to the BOM

				HL1BLNM	2016-05-17
				ECA NO	DATE
DESIGNED	HEQUANTAO 00278224	HL1BLNM		03023VXH_SCHZH	
REVIEWED	LIZHAO 00213340				
		VER	PART_NUMBER	SHEET	43_DRX B38/39/40/41
		C	03023VXH	HUAWEI TECH CO.,LTD.	

44 Reserved

A

A

B

B

C

C

D

D

The type and specification of the components refer to the BOM

				HL1BLNM	2016-05-17
				ECA NO	DATE
DESIGNED	HEQUANTAO 00278224	HL1BLNM		03023VXH_SCHZH	
REVIEWED	LIZHAO 00213340				
		VER	PART_NUMBER	SHEET	44_Reserved
		C	03023VXH	HUAWEI TECH CO.,LTD.	

45.Reserved

A

A

B

B

C

C

D

D

The type and specification of the components refer to the BOM

				HL1BLNM	2016-05-17
				ECA NO	DATE
DESIGNED	HEQUANTAO 00278224	HL1BLNM		03023VXH_SCHZH	
REVIEWED	LIZHAO 00213340				
		VER	PART_NUMBER	SHEET	45_Reserved
		C	03023VXH	HUAWEI TECH CO.,LTD.	

46.Reserved

A

A

B

B

C

C

D

D

The type and specification of the components refer to the BOM

				HL1BLNM	2016-05-17
				ECA NO	DATE
DESIGNED	HEQUANTAO 00278224	HL1BLNM		03023VXH_SCHZH	
REVIEWED	LIZHAO 00213340				
		VER	PART_NUMBER	SHEET	46_Reserve5
		C	03023VXH	HUAWEI TECH CO.,LTD.	

47.RF Transceiver1

The type and specification of the components refer to the BOM

				HL1BLNM	2016-05-17
				ECA NO	DATE
DESIGNED	HEQUANTAO 00278224	HL1BLNM		03023VXH_SCHZH	
REVIEWED	LIZHAO 00213340				
		VER	PART_NUMBER	SHEET	47_Rev05
		C	03023VXH	HUAWEI TECH CO.,LTD.	

48.TRX BC0

A

A

B

B

C

C

D

D

The type and specification of the components refer to the BOM

				HL1BLNM	2016-05-17
				ECA NO	DATE
DESIGNED	HEQUANTAO 00278224	HL1BLNM		03023VXH_SCHZH	
REVIEWED	LIZHAO 00213340				
		VER	PART_NUMBER	SHEET	48_Rev05
		C	03023VXH	HUAWEI TECH CO.,LTD.	

1

2

3

4

5

6

49 Reserved

A

A

B

B

C

C

D

D

The type and specification of the components refer to the BOM

				HL1BLNM	2016-05-17
				ECA NO	DATE
DESIGNED	HEQUANTAO 00278224	HL1BLNM		03023VXH_SCHZH	
REVIEWED	LIZHAO 00213340				
		VER	PART_NUMBER	SHEET	49_Reserved
		C	03023VXH	HUAWEI TECH CO.,LTD.	

1

2

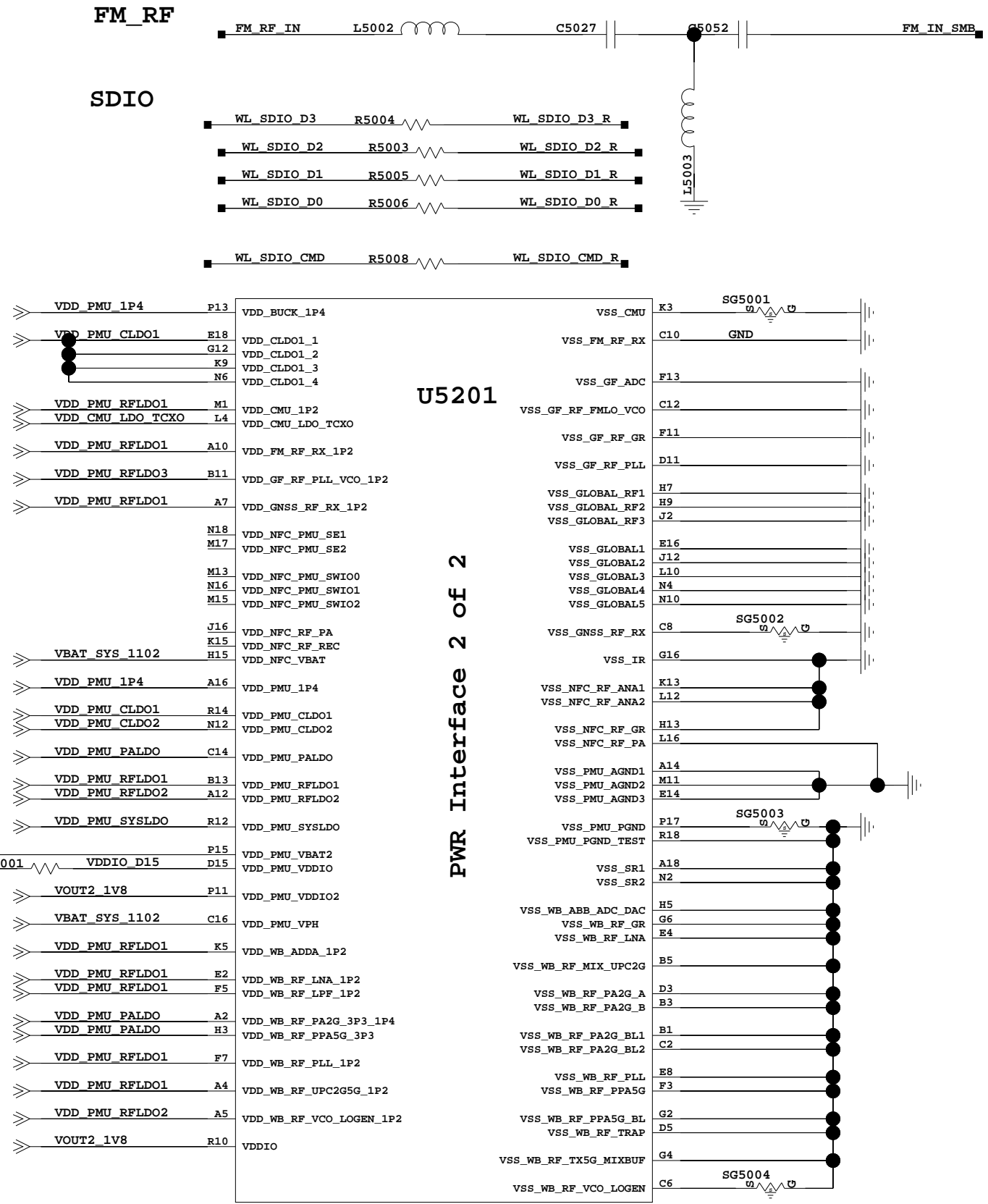
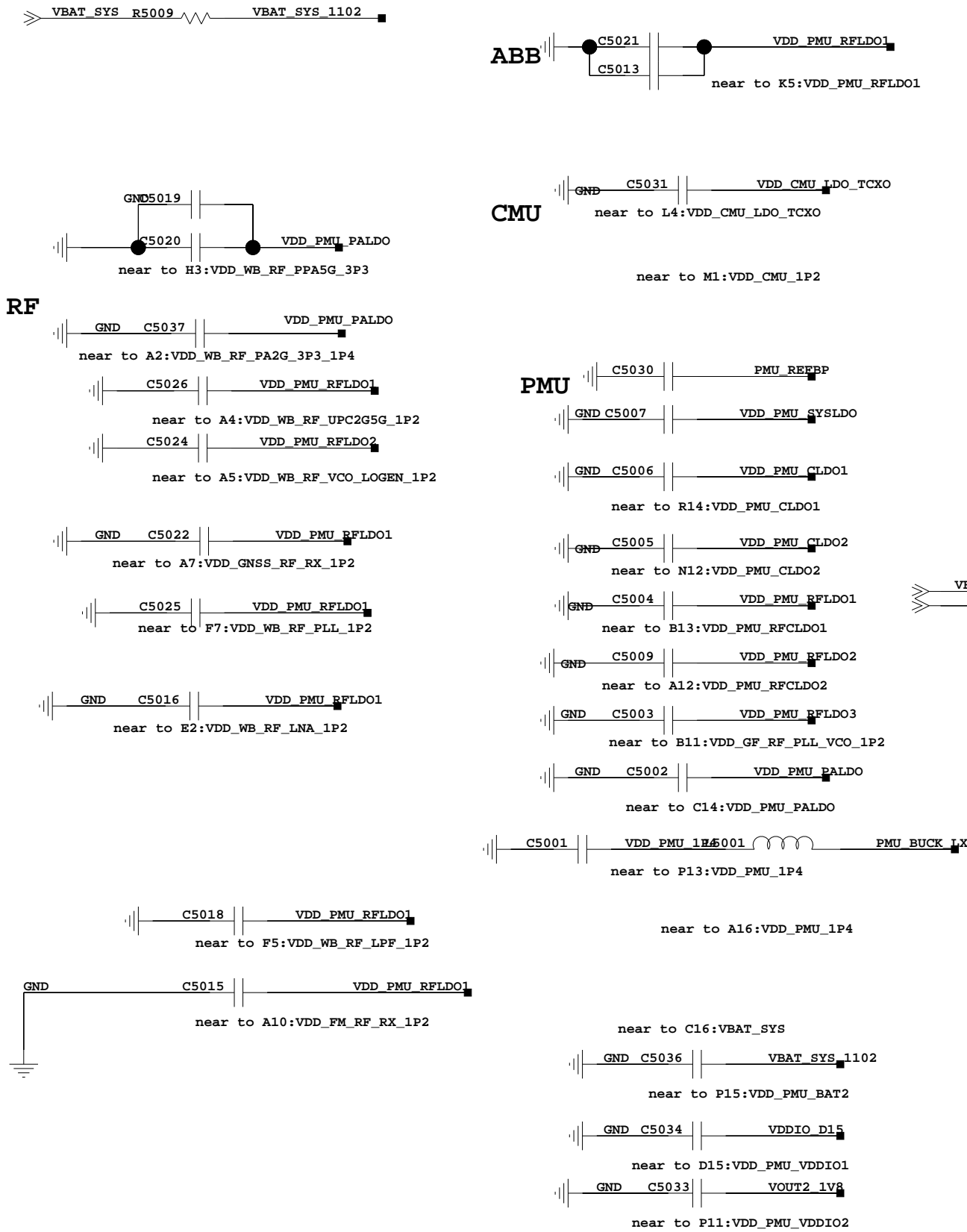
3

4

5

6

50 NC RF Interface

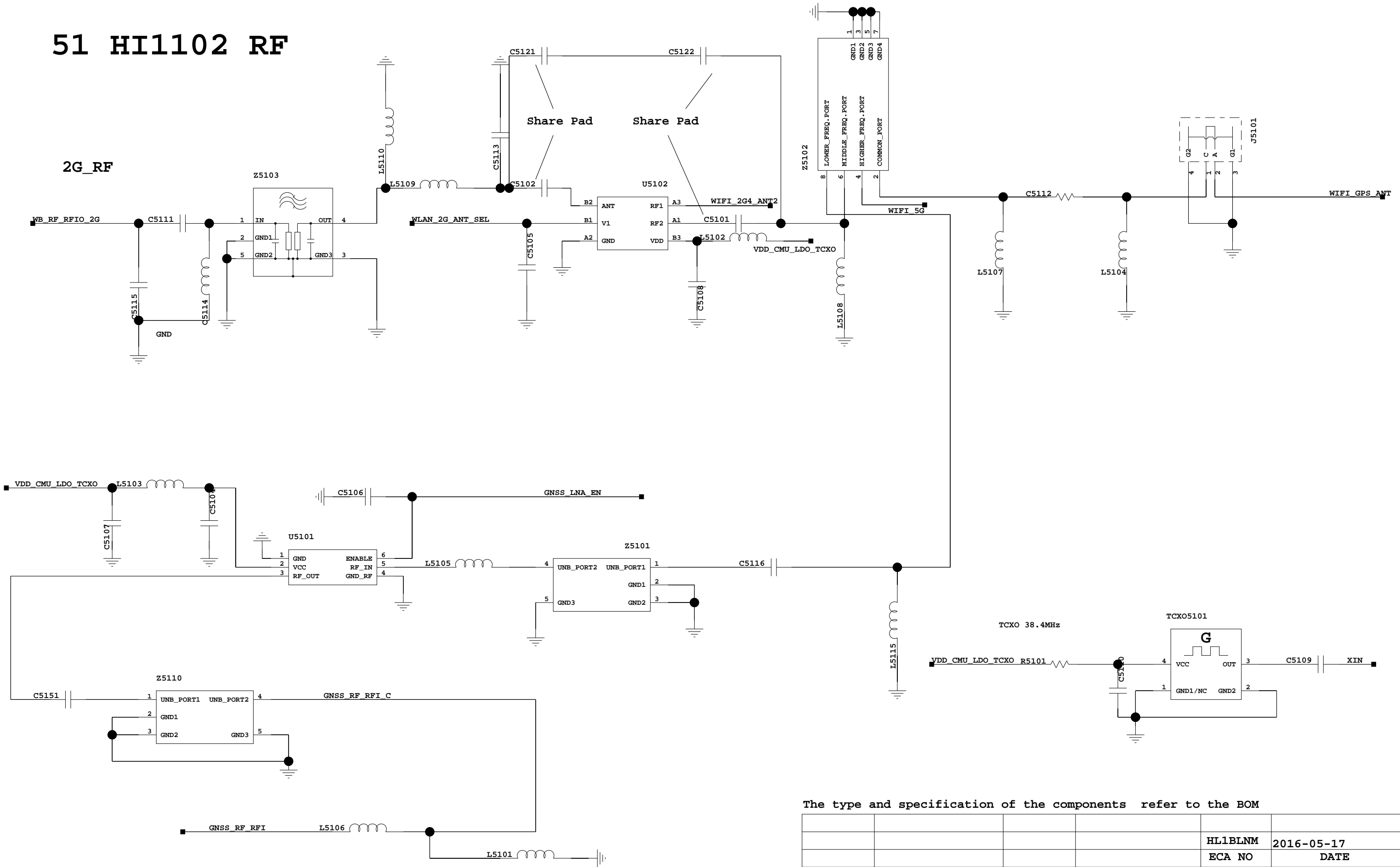


The type and specification of the components refer to the BOM

DESIGNED	HEQUANTAO 00278224	HL1BLNM	03023VXH_SCHZH
REVIEWED	LIZHAO 00213340	HL1BLNM	03023VXH_SCHZH
		VER	PART_NUMBER
		C	03023VXH
		SHEET	50_HDF1025BOWER
			HUAWEI TECH CO.,LTD.

51 HI1102 RF

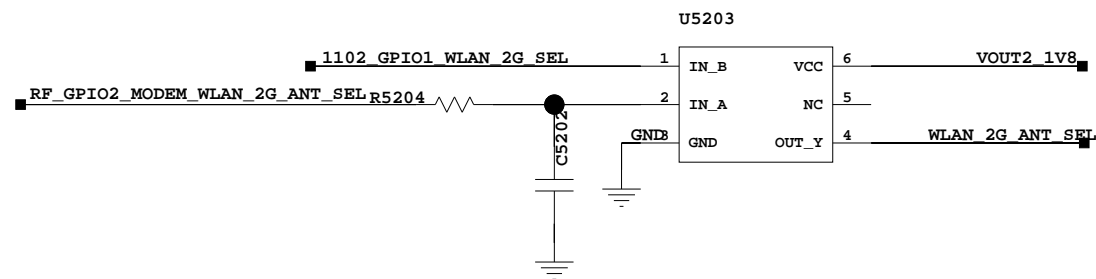
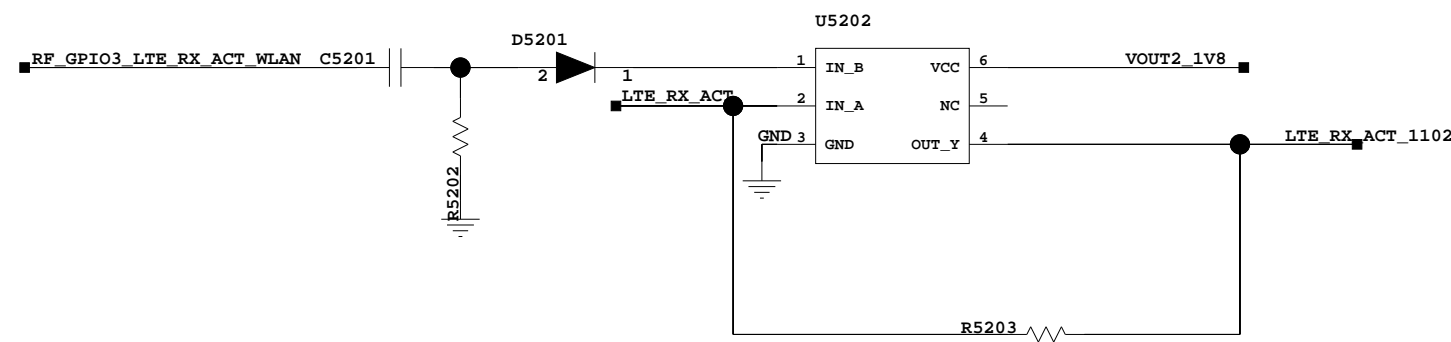
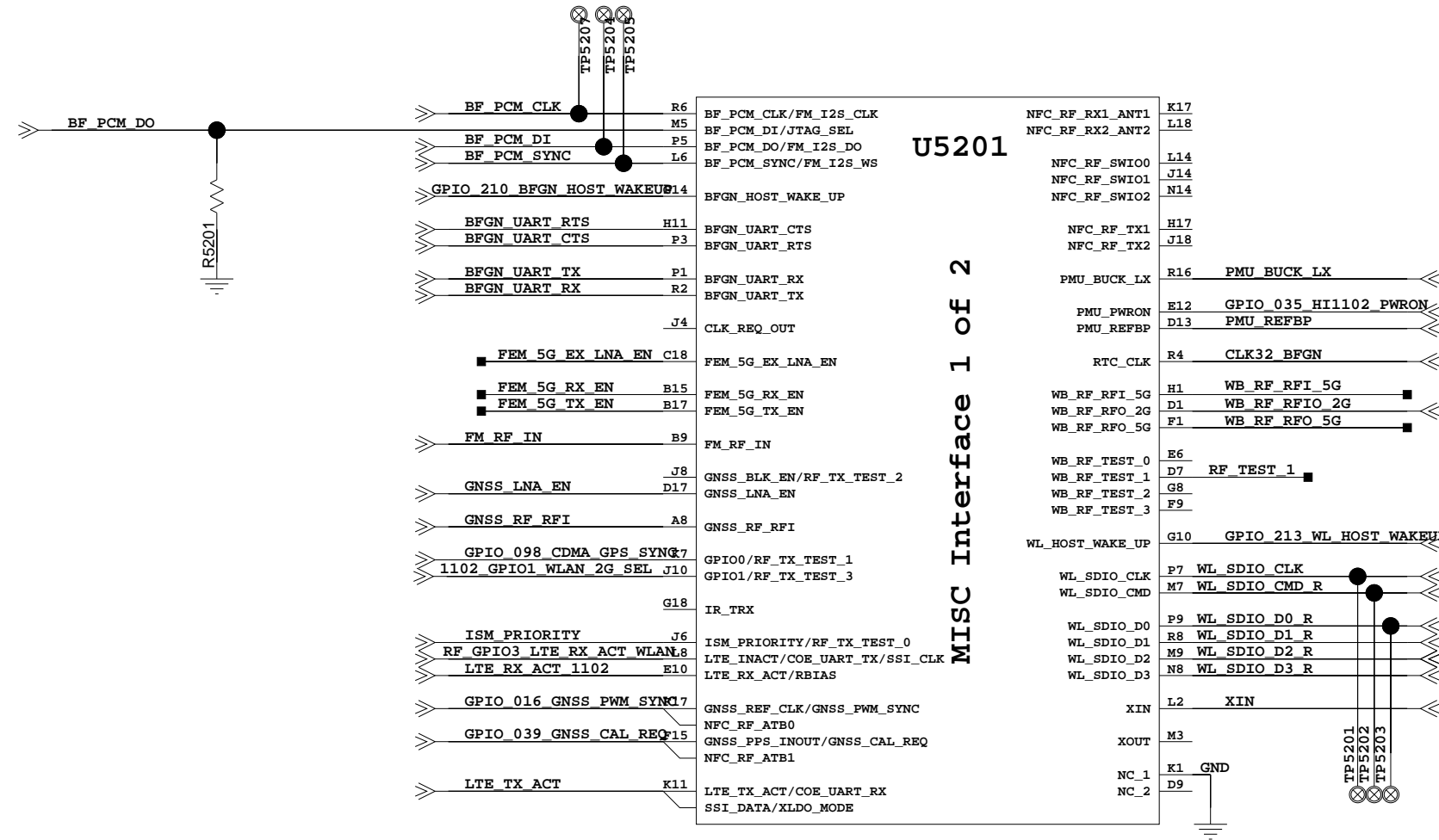
2G_RF



The type and specification of the components refer to the BOM

				HL1BLNM	2016-05-17
				ECA NO	DATE
DESIGNED	HEQUANTAO 00278224	HL1BLNM		03023VXH_SCHZH	
REVIEWED	LIZHAO 00213340	VER	PART_NUMBER	SHEET 51_HDF1025RF_FrontEnd	
		C	03023VXH	HUAWEI TECH CO.,LTD.	

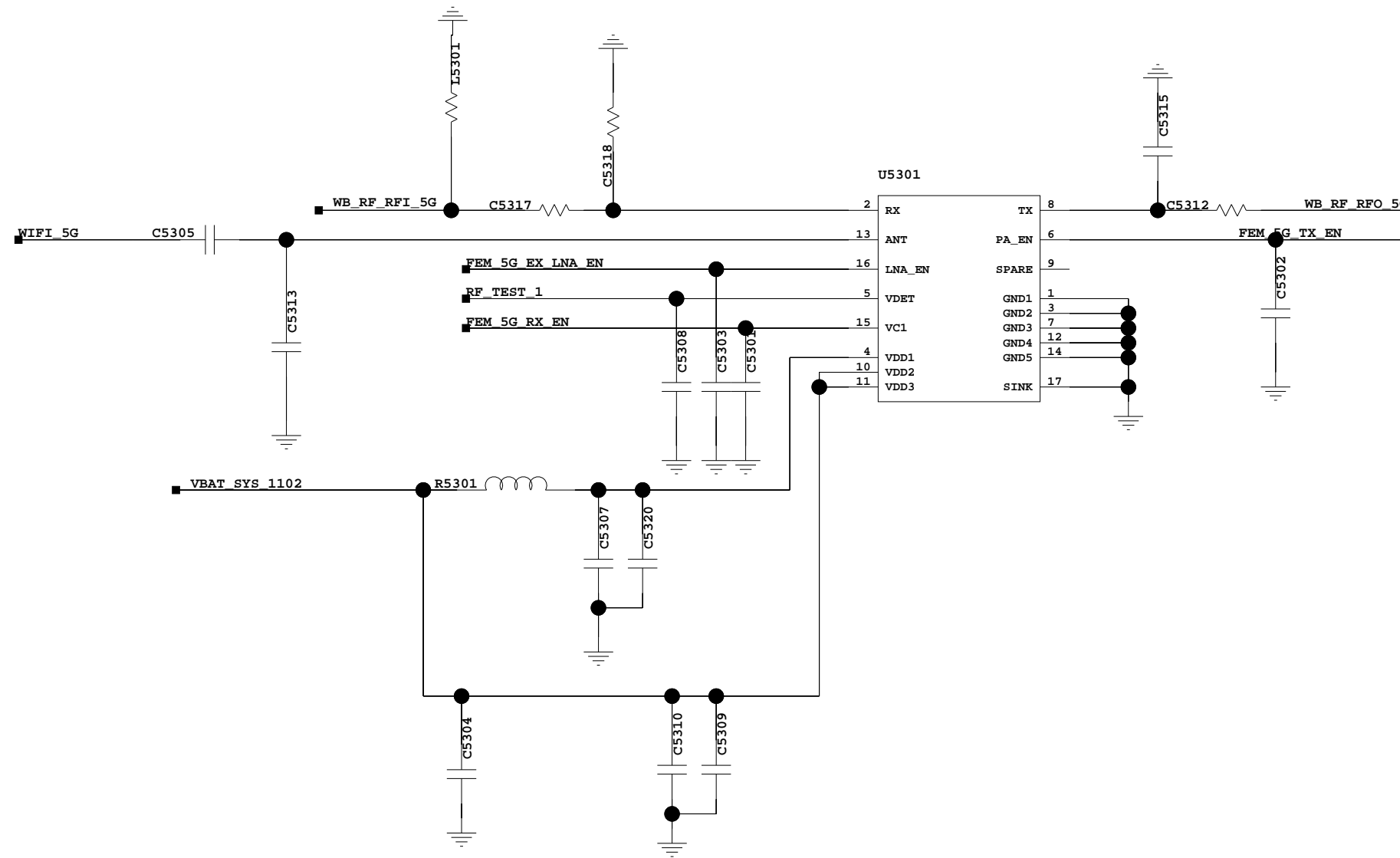
52 Hi1102_BB



The type and specification of the components refer to the BOM

				HL1BLNM	2016-05-17
				ECA NO	DATE
DESIGNED	HEQUANTAO 00278224	HL1BLNM		03023VXH_SCHZH	
REVIEWED	LIZHAO 00213340				
		VER	PART_NUMBER	SHEET 52_HDF1025BB	
		C	03023VXH	HUAWAI TECH CO.,LTD.	

53 Hi1102_RF_FrontEnd_5GHz



The type and specification of the components refer to the BOM

				HL1BLNM	2016-05-17
				ECA NO	DATE
DESIGNED	HEQUANTAO 00278224	HL1BLNM		03023VXH_SCHZH	
REVIEWED	LIZHAO 00213340				
		VER	PART_NUMBER	SHEET	53 Hi1102_RF_FrontEnd_5G
		C	03023VXH	HUAWEI TECH CO.,LTD.	

54.Reserved

A

A

B

B

C

C

D

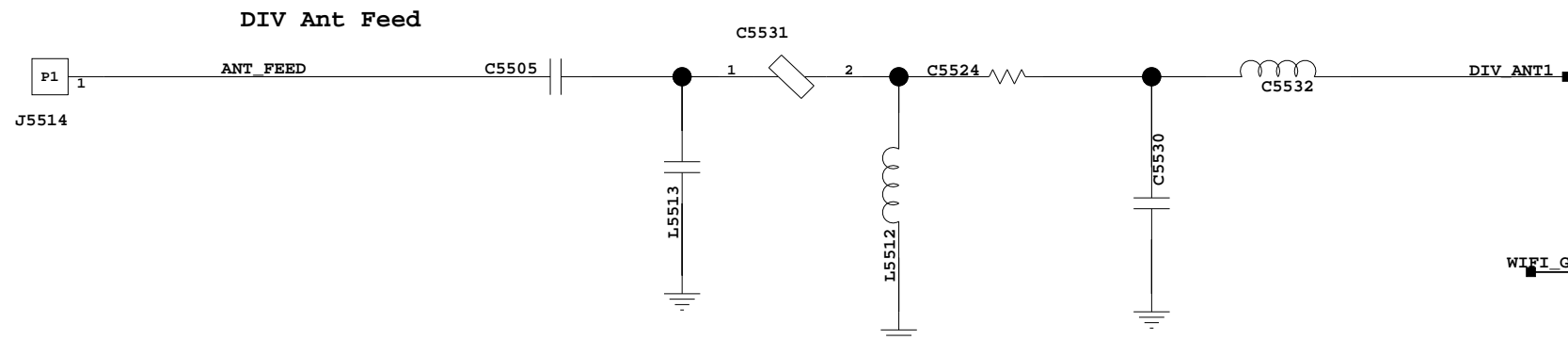
D

The type and specification of the components refer to the BOM

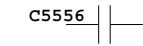
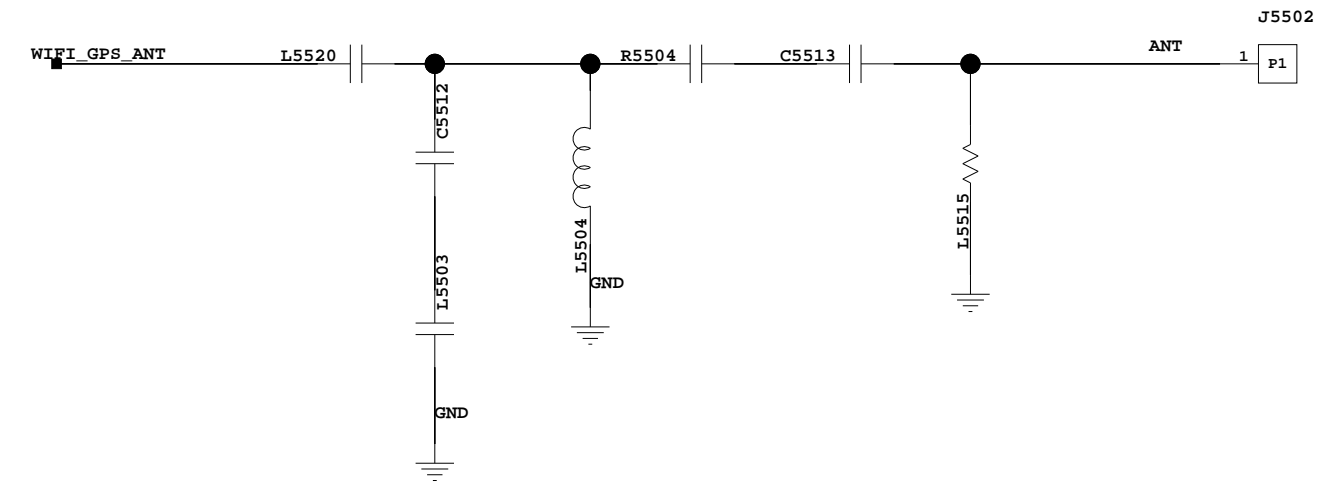
				HL1BLNM	2016-05-17
				ECA NO	DATE
DESIGNED	HEQUANTAO 00278224	HL1BLNM		03023VXH_SCHZH	
REVIEWED	LIZHAO 00213340				
		VER	PART_NUMBER	SHEET 54_Reserved	
		C	03023VXH	HUAWEI TECH CO.,LTD.	

55.Antenna_Match

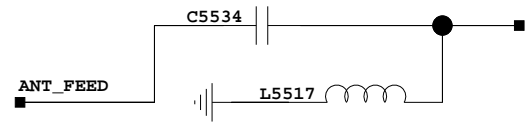
DIV Ant



2.4GWiFi&GPSAnt



Div-midgnd



The type and specification of the components refer to the BOM

					2016-05-17
				ECA NO	DATE
DESIGNED	HEQUANTAO 00278224	HL1BLNM		03023VXH_SCHZH	
REVIEWED	LIZHAO 00213340	VER	PART_NUMBER	SHEET 55-A0F-ma55h	
		C	03023VXH	HUAWEI TECH CO.,LTD.	