

# Baseband Schematic

1. Contents
2. Block Diagramm
3. SOC PWR1
4. SOC PWR2
5. SOC PWR3
6. SOC HS Interface
7. SOC GPIO Interface
8. SOC RF Interface
9. SOC GND
10. PMU LDO
11. PMU BUCK & 8758 BUCK
12. PMU MISC & BUCKBOOST
13. HI6422
14. eMMC and DDR3
15. Battery & Fuel guage
16. USB/Charging/Switch
17. LCD Interface
18. Reserved
19. Flash LED
20. Camera Interface
21. ISP Reserved
22. Codec HI6402
23. Audio/SPK/VIB
24. Headphone
25. Audio
26. X-Sensor1
27. X-Sensor2
28. SIM/uSD Card
29. FPC Interface
30. Test Point/Shielding

# MODEM Schematic

31. RF Interface
32. RF PMU
33. RF Transceiver
34. Reserved
35. Reserved
36. Reserved
37. RF Front End LW B1/B2/B3/B5/B8 TRX
38. RF Front End MMBPA+Switch /Main A
39. RF Front End MAIN ANT TUNNER
40. Reserved
41. Reserved
42. TCXO
43. Reserved for CDMA Modem
44. Reserved for CDMA Modem
45. Reserved for CDMA Modem
46. Reserved for CDMA Modem
47. Reserved for CDMA Modem
48. Reserved for CDMA Modem
49. RESERVED
50. RESERVED
51. Reserved
52. BT/WLAN/FM/NFC
53. BT/WLAN/FM/NFC
54. WIFI\_RF\_FrontEnd\_2.4GHz
55. WIFI\_RF\_FrontEnd\_5GHz
56. GPS
57. Reserved
58. RF Transceiver2
59. RFIC2\_GSM PA+Switch+RX
60. RF PMU2

The type and specification of the components refer to the BOM

					01-03-2016_20:12
					20160227
				ECA NO	DATE
DESIGNED	fengyingqun/00317730	HL1FRDAL10M			
REVIEWED	lihui/00330031				
		VER	PART_NUMBER	SHEET 1 OF 60	
				HUAWEI TECH CO.,LTD.	

# 2. Block Diagramm

A

A

B

B

C

C

D

D

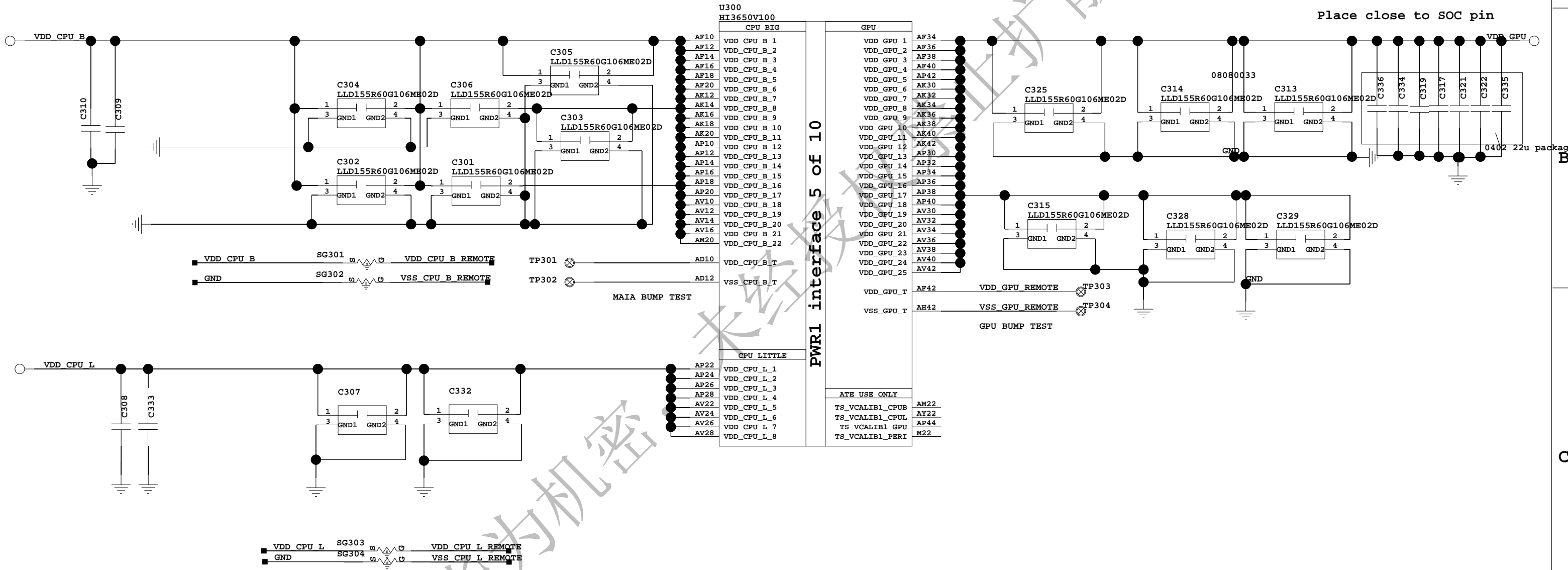
华为机密，未经授权禁止扩散

The type and specification of the components refer to the BOM

					01-03-2016_20:12
					20160227
				ECA NO	DATE
DESIGNED	fengyingqun/00317730			HL1FRDAL10M	
REVIEWED	lihui/00330031				
		VER	PART_NUMBER	SHEET 2 OF 60	
				HUAWEI TECH CO.,LTD.	

# 3. SOC PWR1

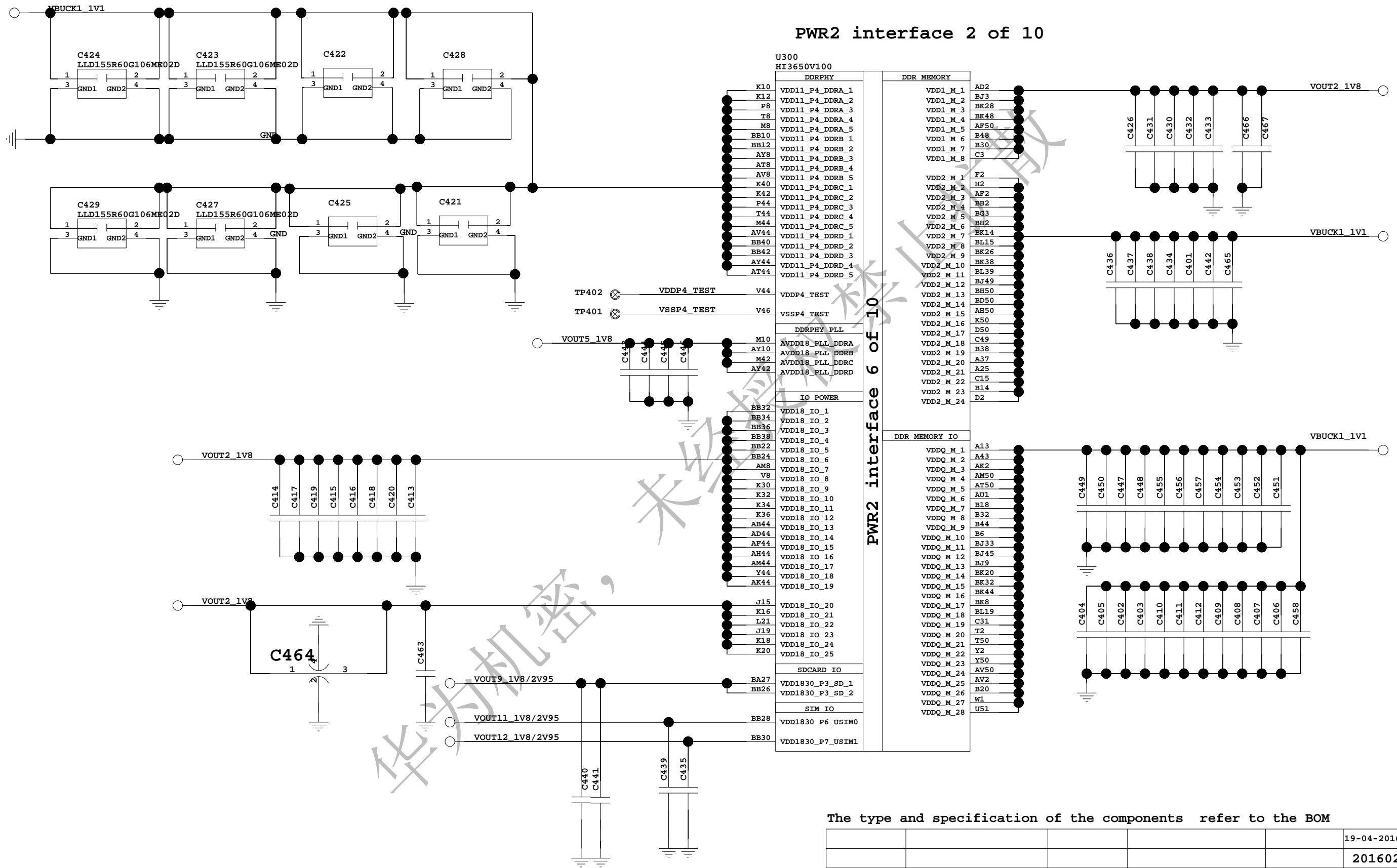
PWR1 interface 1 of 10



The type and specification of the components refer to the BOM

				19-04-2016_17:12
				20160227
			ECA NO	DATE
DESIGNED	fengyingqun/00317730	HL1FRDAL10M		
REVIEWED	lihui/00330031			
		VER	PART_NUMBER	SHEET 3 OF 60
				HUAWEI TECH CO.,LTD.

# 4. SOC PWR2

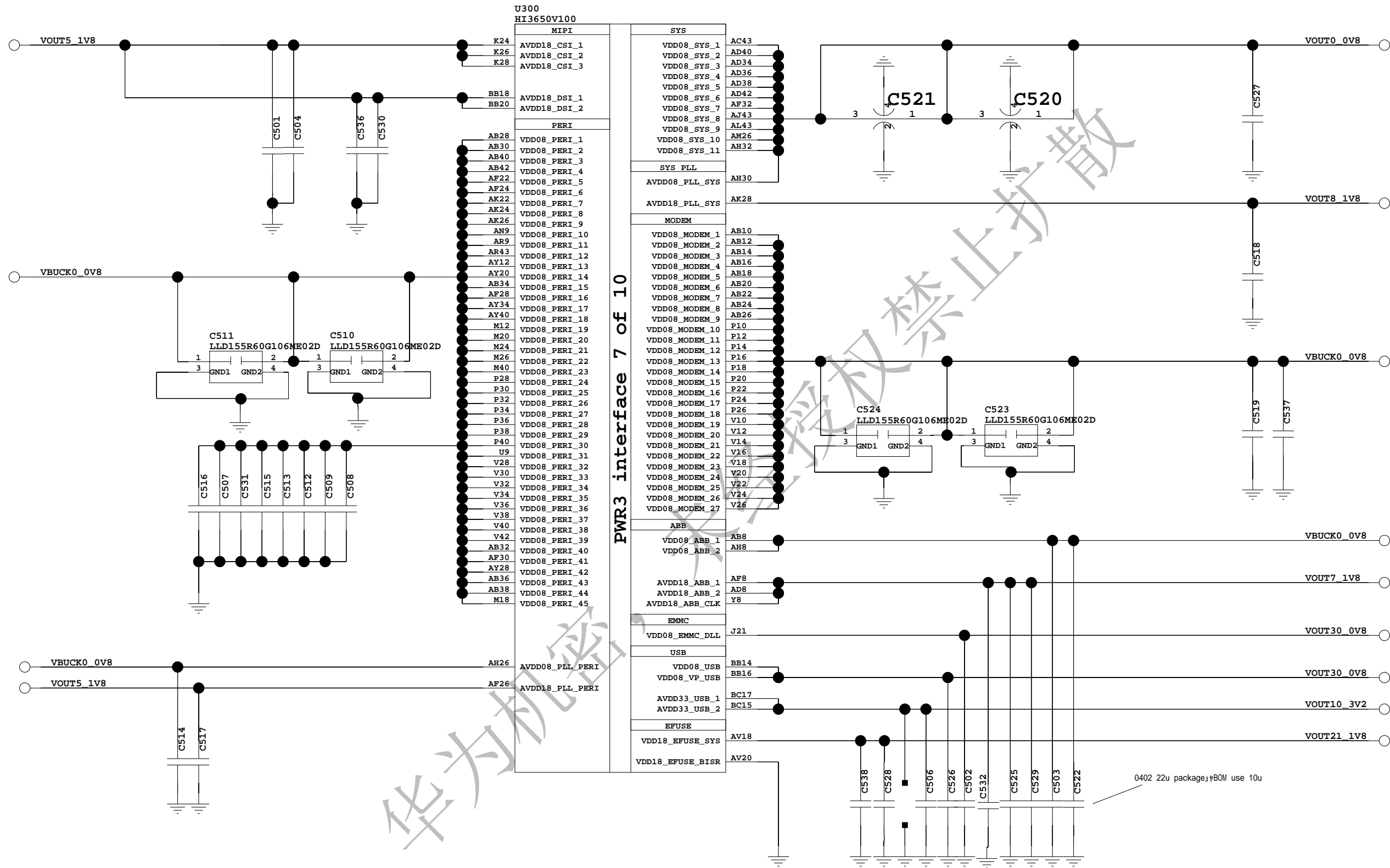


The type and specification of the components refer to the BOM

				19-04-2016_17:12
				20160227
			ECA NO	DATE
DESIGNED	fengyingqun/00317730	HL1FRDAL10M		
REVIEWED	lihui/00330031			
		VER	PART_NUMBER	SHEET 4 OF 60
HUAWEI TECH CO.,LTD.				

# 5. SOC PWR3

PWR3 interface 3 of 10



PWR3 interface 7 of 10

The type and specification of the components refer to the BOM

			19-04-2016_17:12	
			20160227	
			ECA NO	DATE
DESIGNED	fengyingqun/00317730		HL1FRDAL10M	
REVIEWED	lihui/00330031			
		VER	PART_NUMBER	SHEET 5 OF 60
HUAWEI TECH CO.,LTD.				