

THIS DRAWING AND SPECIFICATIONS, HEREIN, ARE THE PROPERTY OF INVENTEC CORPORATION AND SHALL NOT BE REPRODUCED, COPIED, OR USED IN WHOLE OR IN PART AS THE BASIS FOR THE MANUFACTURE OR SALE OF ITEMS WITHOUT WRITTEN PERMISSION, INVENTEC CORPORATION, ©2018 ALL RIGHT RESERVED.

NOTES:
1.HSF Property:Comply iSupplier system HSF property attribute up-to-date value.

CRESCENT MV

2019.03.27

Marking	Description
I	Install
NI	Non-install
PROTO	Proto type
MP	Mass-Production
TAA	Install for TAA
CRITICAL	Critical Parts

DATE	CHANGE NO.	REV
21-OCT-2002		

INVENTEC			
DESIGN/DRAWER		DATE	TITLE
XXX		21-OCT-2002	MODEL,PROJECT,FUNCTION MAIN BOARD
CHECK	BY: BERT CHANG		
APPROVAL	MINGHSI CHANG		
DRAWN BY	CHENG CHIAI		
PCB PIN	60XXXXXXXXXX	PCB VER	XXX
SIZE	A3	CODE	1310XXXX-1-0
		DOC NUMBER	REV
			X01
		SHEET	of 105

TABLE OF CONTENTS

01. PROJECT NAME	37. MCP1-MISC	73. SMART CARD CONN & NFC_RFID
02. TABLE OF CONTENTS	38. MCP2-SPI,SMBUS,SYSTEM SEQUENCE	74. POWER JACK LED
03. BLOCK DIAGRAM	39. MCP3-GPIO	75. POWER BUTTON BOARD DB CONN
04. I2C/SMBUS MAP	40. MCP4-GPIO,CNVI	76. AUDIO CODEC
05. DESIGN INFORMATION	41. MCP4-DP	77. EXT SPK
06. POWER BLOCK DIAGRAM	42. MCP5-DDR	78. AUDIO JACK
07. SYSTEM POWER(CHARGER)	43. MCP6-PCIE,USB	79. 12S SHUT DOWN RESET
08. SYSTEM POWER(BARREL/PD SELECTOR)	44. MCP7-RTC, AUDIO, SATA	80. EMMC
09. SYSTEM POWER(ADP_ID/OCP)	45. MCP8-CLOCK, RESERVED	81. SCREW
10. SYSTEM POWER(P5V0DS)	46. MCP9-POWER IO	82. EMI SOLUTION
11. SYSTEM POWER(P3V3DS)	47. MCP10-POWER1	83. RF SOLUTION
12. SYSTEM POWER(P1V2)	48. MCP11-POWER2	84. TEST POINT
13. SYSTEM POWER(P2V5)	49. MCP12-GND	85. DIS & UMA CHANGE PART
14. SYSTEM POWER(P1V8DS)	50. SYSTEM MEMORY (DIMM0)	86. DIS POWER ENABLE & SEQUENCE
15. SYSTEM POWER(P1V5)	51. SYSTEM MEMORY (DIMM1)	87. DGPU-1
16. SYSTEM POWER(P1V05A)	52. DPB TO DP DEMUX(PS8349A)	88. DGPU-2
17. SYSTEM POWER(PVCCIO)	53. HDMI CONN	89. VRAM-1
18. SYSTEM POWER(PVCC_PRIM)	54. DPC TO DP DEMUX(PS8338A)	90. VRAM-2
19. SYSTEM POWER(VCORE_VR CONTROLLER)	55. TITAN RIDGE_1	91. DGPU-3
20. SYSTEM POWER(PVCORE_MOS)	56. TITAN RIDGE_2	92. DGPU-4
21. SYSTEM POWER(PVCCGT)	57. USB_TYPE C -1(PORT0)	93. DGPU-5
22. SYSTEM POWER(PVCCSA)	58. USB_TYPE C -2(PORT0)	94. DGPU-6
23. SYSTEM POWER(PVCORE_DGPU_VR)	59. LCM_A& WEBCAM CONN	95. DGPU-7
24. SYSTEM POWER(PVCORE_DGPU)	60. NGFF SSD CONN	96. DGPU-8
25. SYSTEM POWER(PVDDCI_DGPU)	61. USB CONN(RIGHT)	97. BAMACO-P
26. SYSTEM POWER(P1V35S_DGPU)	62. USB D/B CONN	98. POWER BUTTON BOARD
27. SYSTEM POWER(P1V8S_DGPU)	63. ALS SENSER	99. POWER BUTTON BOARD LED
28. POWER ENABLE SIGNALS	64. FINGERPRINT	100. SMART CARD DB
29. DC JACK & BATTERT CONN.	65. KBC_1	101. SMART CARD DB LED
30. POWER SEQUENCE(P3V3,P5V0)	66. KBC_2	102. USB DB CNTR DB
31. POWER SEQUENCE(P1V8,PCH POWER)	67. KEYBOARD & STICK POINT	103. USB CHARGE PORT DB
32. POWER SEQUENCE(PG & RSMRST)	68. TPM	104. ALS DB
33. THERMAL	69. LAN(NIC)	105. MIC DB
34. FAN CONN	70. WLAN & BLUE TOOTH	
35. XDP & ME CONN.	71. WWAN NGFF	
36. DEBUG CONN	72. DOCKING	

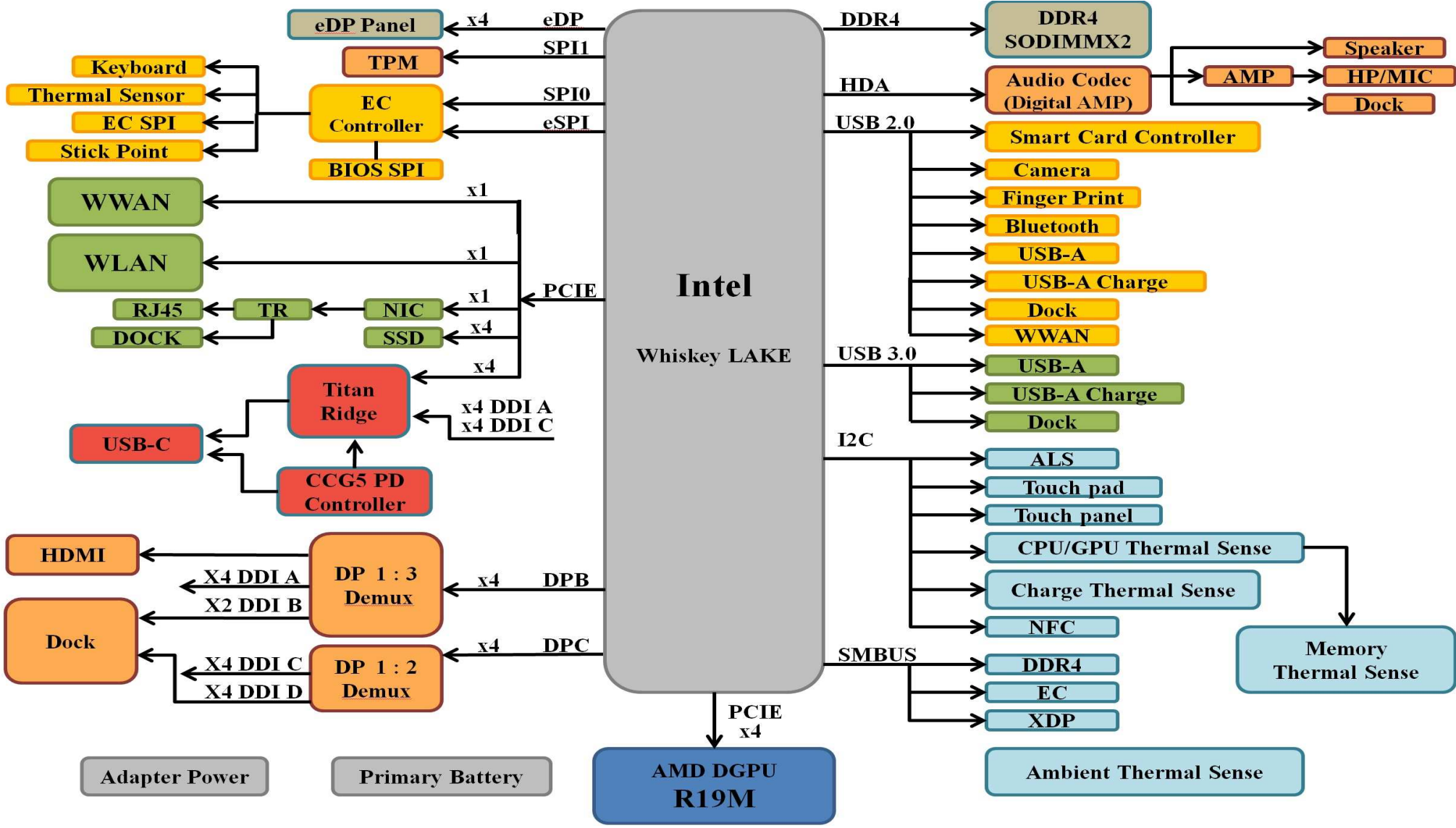
INVENTEC

TITLE MODEL PROJECT,FUNCTION
TABLE OF THE CONTENT

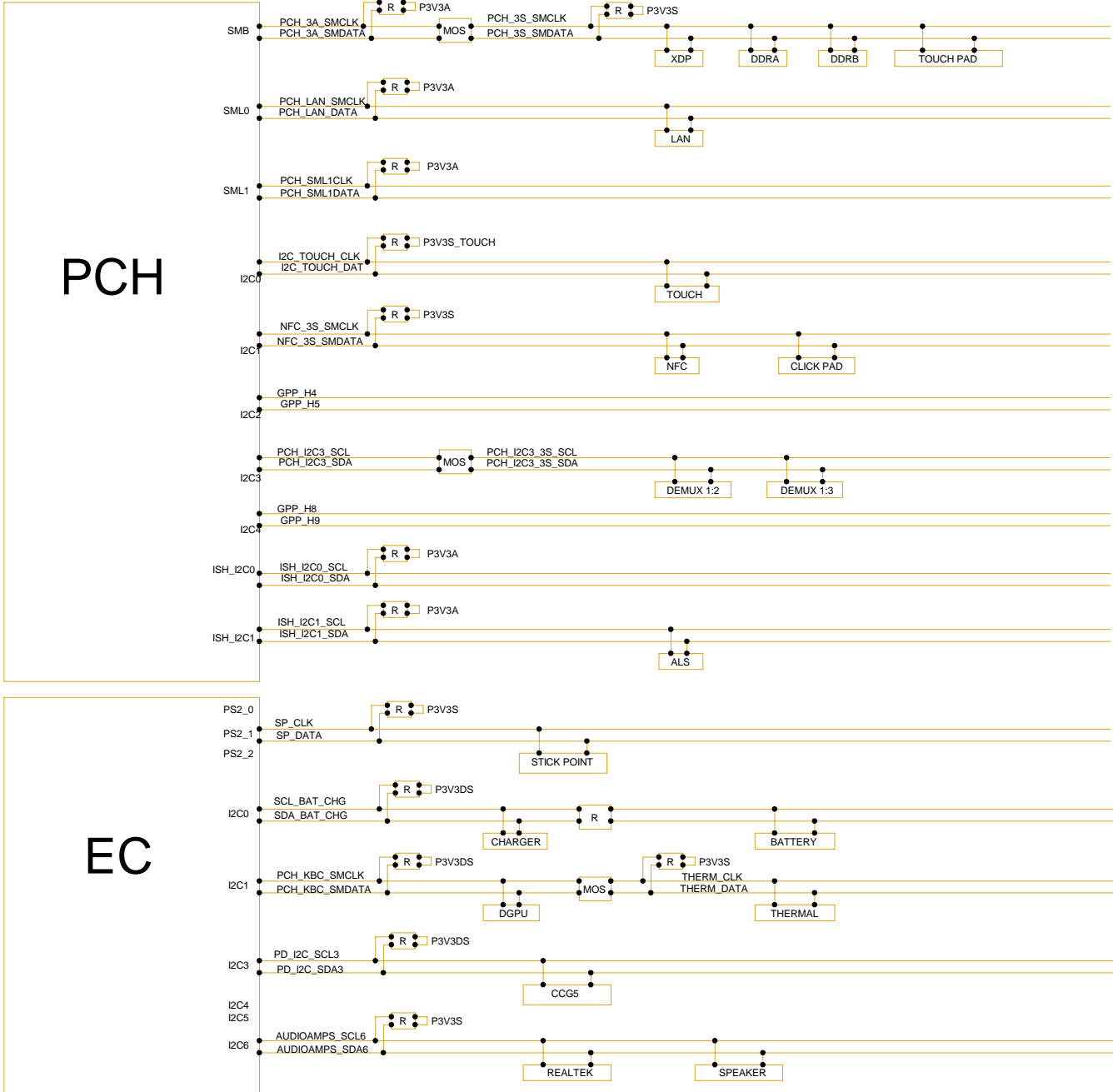
SIZE A3	CODE CS	DOC NUMBER 1310xxxxx-0-0	REV X01
------------	------------	-----------------------------	------------

CHANGE BY PCB P/N	XXX 60xxxxxxxxxxx	DATE PCB VER	21-OCT-2002 XXX
----------------------	----------------------	-----------------	--------------------

SHEET 2 of 105



INVENTEC			
TITLE MODEL,PROJECT,FUNCTION			
Block Diagram			
SIZE A3	CODE CS	DOC NUMBER 1310xxxx-0-0	REV X01
CHANGE BY XXX		DATE 21-OCT-2002	
PCB P/N 60xxxxxxxxxx	PCB VER XXX		
SHEET 3 of 105			



INVENTEC			
TITLE MODEL,PROJECT,FUNCTION POWER BLOCK DIAGRAM			
SIZE A3	CODE CS	DOCNUMBER 1310XXXXX-0-0	REV 201
CHANGES PCB.PN	DATE PCB.VER	SHEET 4 of 106	

CHANGES: xxx PCB.PN: 6Dxxxxxxxxxxx DATE: 21-OCT-2002 PCB.VER: xxx

SIGNAL	VOLTAGE	G3	S5	S3	S0
RTC	3.3V	O	O	O	O
PVBAT	12V	X	O	O	O
P3V3DS	3.3V	X	O	O	O
P3V3A	3.3V	X	O	O	O
P3V3S	3.3V	X	X	X	O
P3V3S_TP	3.3V	X	X	X	O
P5V0DS	5V	X	O	O	O
P5V0S	5V	X	X	X	O
P1V05A	1.05V	X	O	O	O
P1V2	1.2V	X	X	O	O
P2V5	3.3V	X	X	O	O
P1V8DS	1.8V	X	O	O	O
P1V5S	1.5V	X	X	X	O
PVCCIO	0.95V	X	X	X	O
PVCC_PRIM	1.05V	X	O	O	O
PVCCORE	SVID	X	X	X	O
PVCCGT	SVID	X	X	X	O
PVCCSA	1V	X	X	X	O
PVCCSFR	1.05V	X	X	O	O
PVCCORE_DGPU	SVID	X	X	X	O
P1V3S_DGPU	1.35V	X	X	X	O
PVDDCL_DGPU	SVID	X	X	X	O
P1V8_DGPU	1.8V	X	X	X	O

STACK_UP for 8 layer-0.9mm-5Signal



	BRD_ID1	BRD_ID2	BRD_ID3	BRD_ID4
DB0	0	0	0	0
DB1	0	0	0	1
DB2	0	0	1	0
	0	0	1	1
SI1	0	1	0	0
SI1B	0	1	0	1
SI2	0	1	1	0
	0	1	1	1
SI3	1	0	0	0
PV	1	0	0	1
PVR	1	0	1	0
	1	0	1	1
MV	1	1	0	0

Base-U Port	Coronado 14/15-WHL
USB30_P1	USB Type A(Left)
USB30_P2	USB Type A(Right)
USB30_P3	WWAN(PCIE)
USB30_P4	Dock (3.1 Gen1)
PCle5	TBT
PCle6	TBT
PCle7(GbE)	LAN
PCle8(GbE)	WLAN
PCle9 (GbE)	dGPU
PCle10	dGPU
PCle11 /SATA 0	dGPU
PCle12 /SATA 1A	dGPU
PCle13 (GbE)	SSD(NVMe)
PCle14 (GbE)	SSD(NVMe)
PCle11	SSD(NVMe)
PCle12	SSD(NVMe)/SATA SSD

USB2		
1	USB 2.0 #1	USB Type A(Left)
2	USB 2.0 #2	USB Type A(Right)
3	USB 2.0 #3	WWAN (USB2.0)
4	USB 2.0 #4	USB Dock
5	USB 2.0 #5	Type C
6	USB 2.0 #6	RFID
7	USB 2.0 #7	Smart Card
8	USB 2.0 #8	Finger Print Reader
9	USB 2.0 #9	Camera
10	USB 2.0 #10	WLAN/BT

PLT_ID1	PLT_ID2	PLT_ID3	ALS_DETECT#	
0	1	0	X	CRESCENT 14" VPRO
0	1	1	X	CRESCENT 15" VPRO
1	1	0	X	CRESCENT 14" NON-VPRO
1	1	1	X	CRESCENT 15" NON-VPRO
			1	CRESCENT NON-ALS
X	X	X	0	CRESCENT ALS

NOTE : DEFAULT MB IS DIS , 15" , VPRO , NON-ALS SKU

INVENTEC

TITLE MODEL,PROJECT,FUNCTION
DESIGN INFORMATION

CHANGE#	SIZE	CODE	DOCNUMBER	REV
PCB.P/N	1	CS	1310xxxxx-0	1
PCB.V/R	1	CS	1310xxxxx-0	1