

Baseband Schematic

1. Contents
2. Block Diagramm
3. SOC PWR1
4. SOC PWR2
5. SOC PWR3
6. SOC HS Interface
7. SOC GPIO Interface
8. SOC RF Interface
9. SOC GND
10. PMU LDO
11. PMU BUCK & 8758 BUCK
12. PMU MISC & BUCKBOOST
13. HI6422
14. eMMC and LPDDR
15. Battery & Fuel guage
16. USB/Charging/Switch
17. LCD Interface
18. Reserved
19. Flash LED
20. Camera Interface
21. ISP Reserved
22. Codec HI6402
23. Audio/SPK/VIB
24. Headphone
25. Audio
26. X-Sensor1
27. X-Sensor2
28. SIM/uSD Card
29. FPC Interface
30. Test Point/Shielding

MODEM Schematic

31. RF Interface
32. RF PMU
33. RF Transceiver
34. Reserved
35. Reserved
36. Reserved
37. RF Front End LW B1/B2/B3/B5/B8 TRX
38. RF Front End MMBPA+Switch /Main
39. RF Front End MAIN ANT TUNNER
40. Reserved
41. Reserved
42. TCXO
43. Reserved for CDMA Modem
44. Reserved for CDMA Modem
45. Reserved for CDMA Modem
46. Reserved for CDMA Modem
47. Reserved for CDMA Modem
48. Reserved for CDMA Modem
49. RESERVED
50. RESERVED
51. Reserved
52. BT/WLAN/FM/NFC
53. BT/WLAN/FM/NFC
54. WIFI_RF_FrontEnd_2.4GHz
55. WIFI_RF_FrontEnd_5GHz
56. GPS
57. Reserved
58. RF Transceiver2
59. RFIC2_GSM PA+Switch+RX
60. RF PMU2

The type and specification of the components refer to the BOM

					20150906
				ECA NO	DATE
DESIGNED	HUJIAFU/00238513	SH0M3801LM			
REVIEWED	YANXUXING/00166792				
		VER	PART_NUMBER	SHEET 1 Content 58	
		A	0302****	HUAWEI TECH CO.,LTD.	

2. Block Diagramm

A

A

B

B

C

C

D

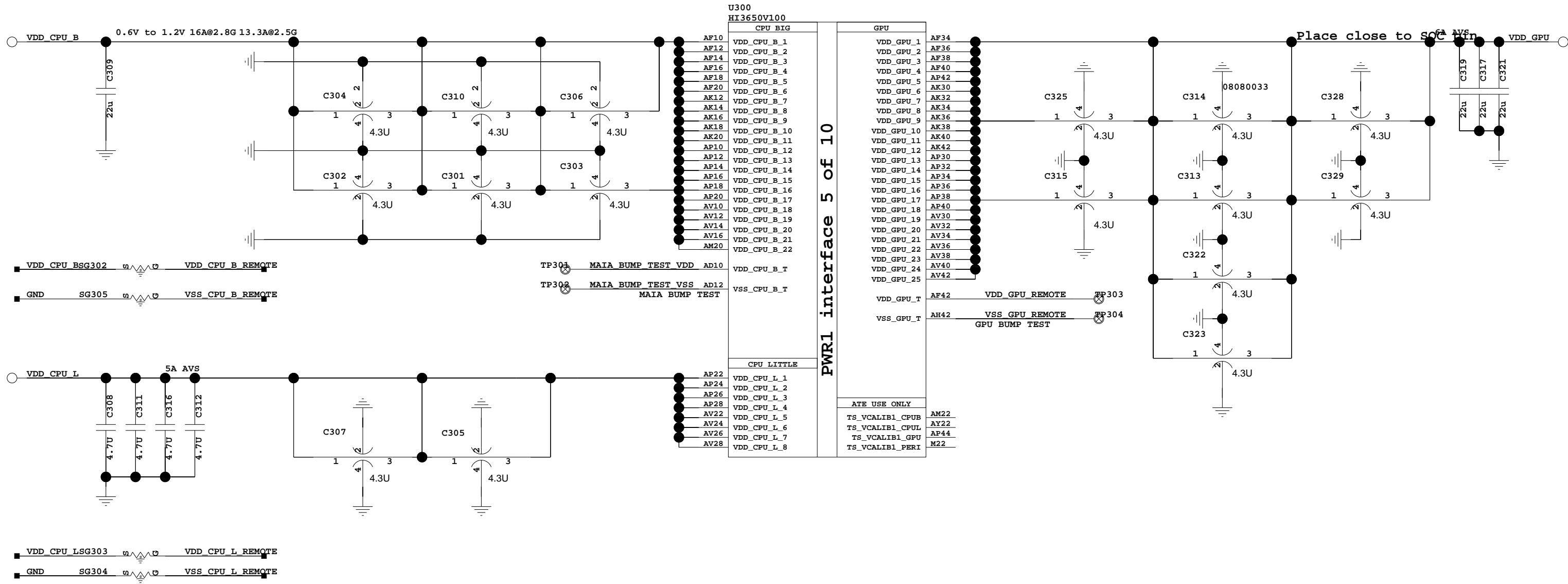
D

The type and specification of the components refer to the BOM

					20150906
				ECA NO	DATE
DESIGNED	ZHANGDAWEI/00221688	SH1EDISONAL10M			
REVIEWED	YANGYONGXIANG/00171286				
		VER	PART_NUMBER	SHEET 2 Block Diagramm	
		A	0302****	HUAWEI TECH CO.,LTD.	

3. SOC PWR1

PWR1 interface 1 of 10

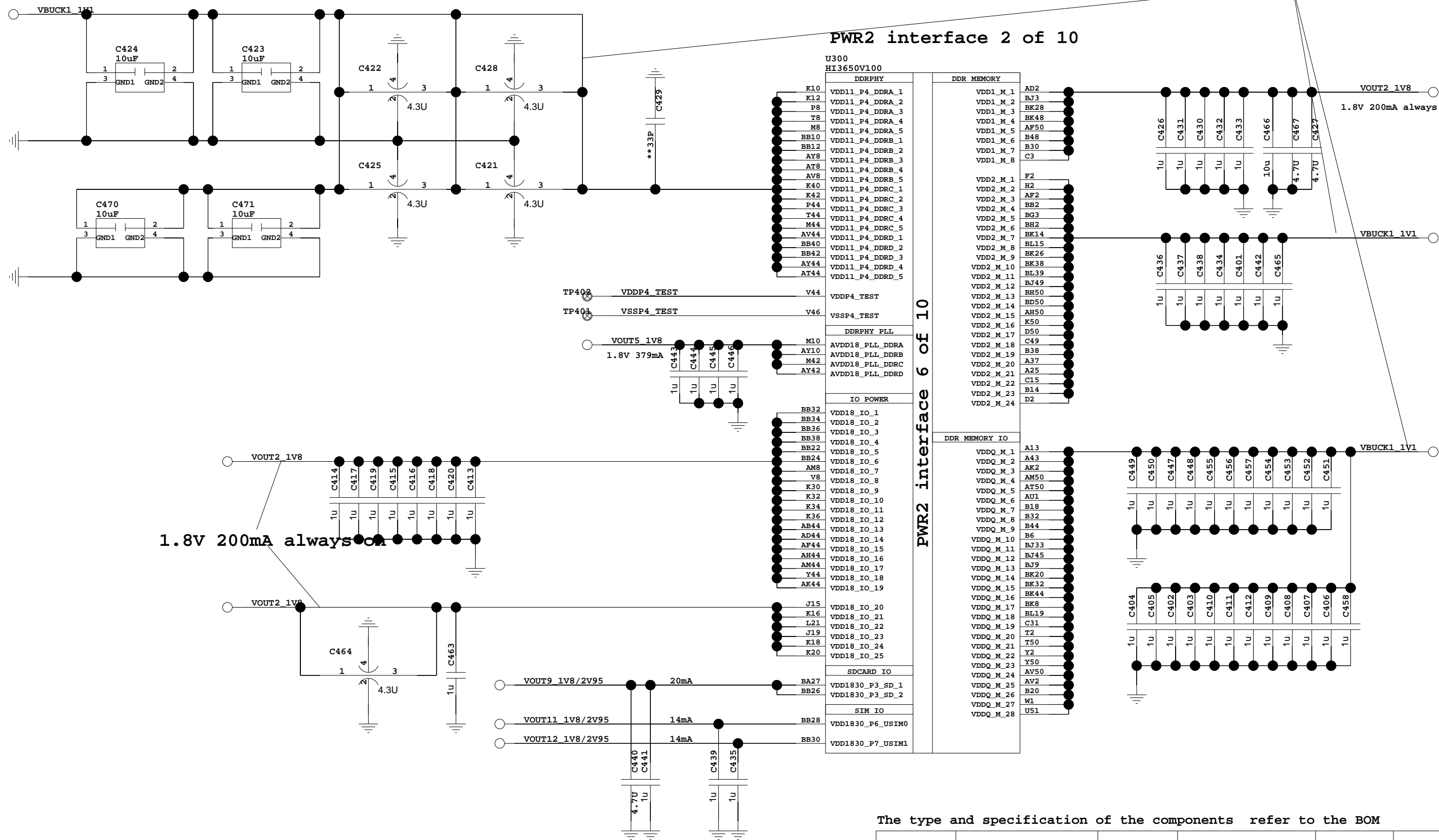


The type and specification of the components refer to the BOM

					20150906
				ECA NO	DATE
DESIGNED	ZHANGDAWEI/00221688	SH1EDISONAL10M			
REVIEWED	YANGYONGXIANG/00171286				
		VER	PART_NUMBER	SHEET 3 SOCPWR10	
		A	0302****	HUAWEI TECH CO.,LTD.	

4. SOC PWR2

1.1V or 1.2V 1.8A always on

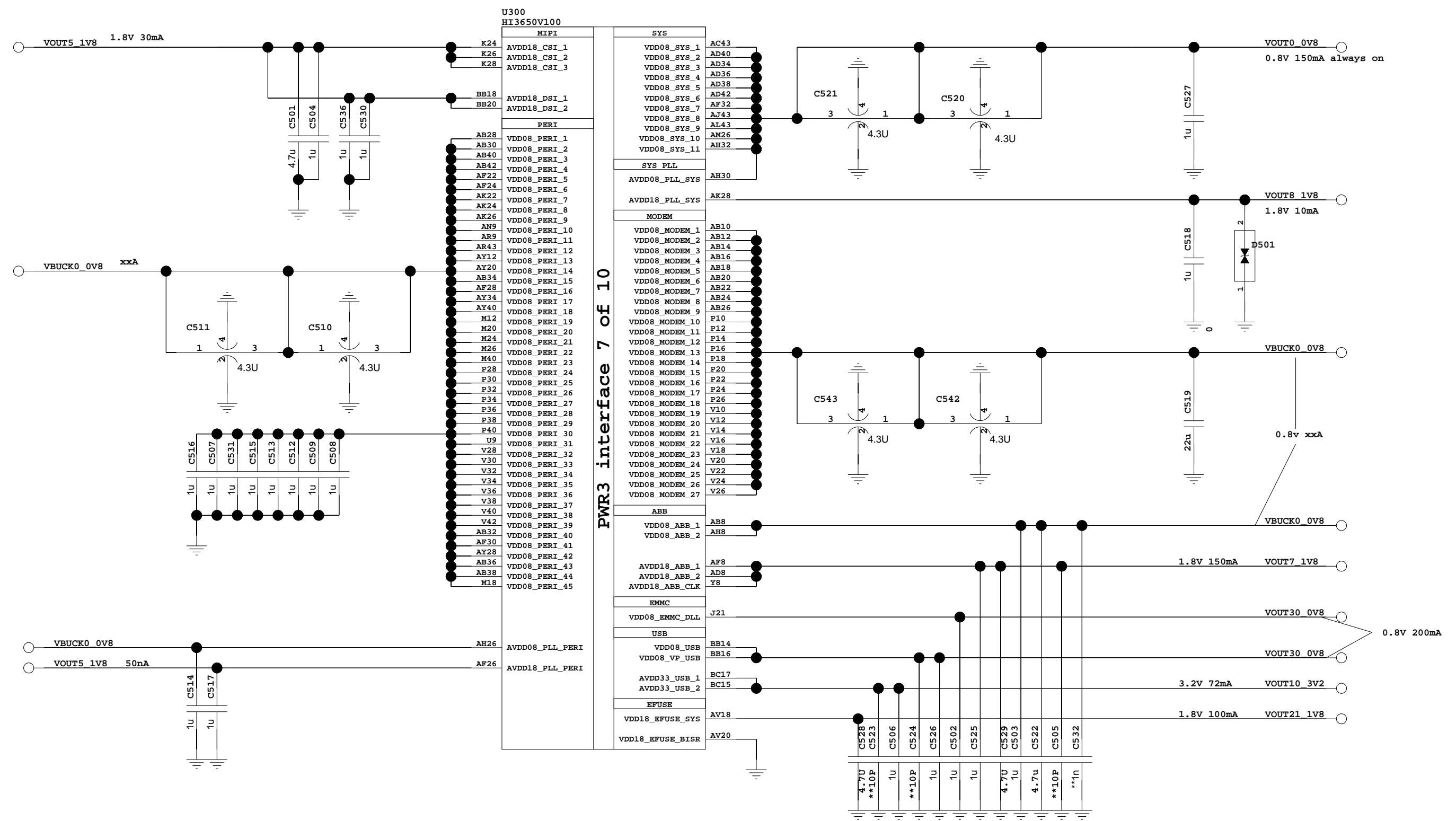


The type and specification of the components refer to the BOM

					20150906
				ECA NO	DATE
DESIGNED	ZHANGDAWEI/00221688	SH1EDISONAL10M			
REVIEWED	YANGYONGXIANG/00171286				
		VER	PART_NUMBER	SHEET 4 SOC PWR2	
		A	0302****	HUAWEI TECH CO.,LTD.	

5. SOC PWR3

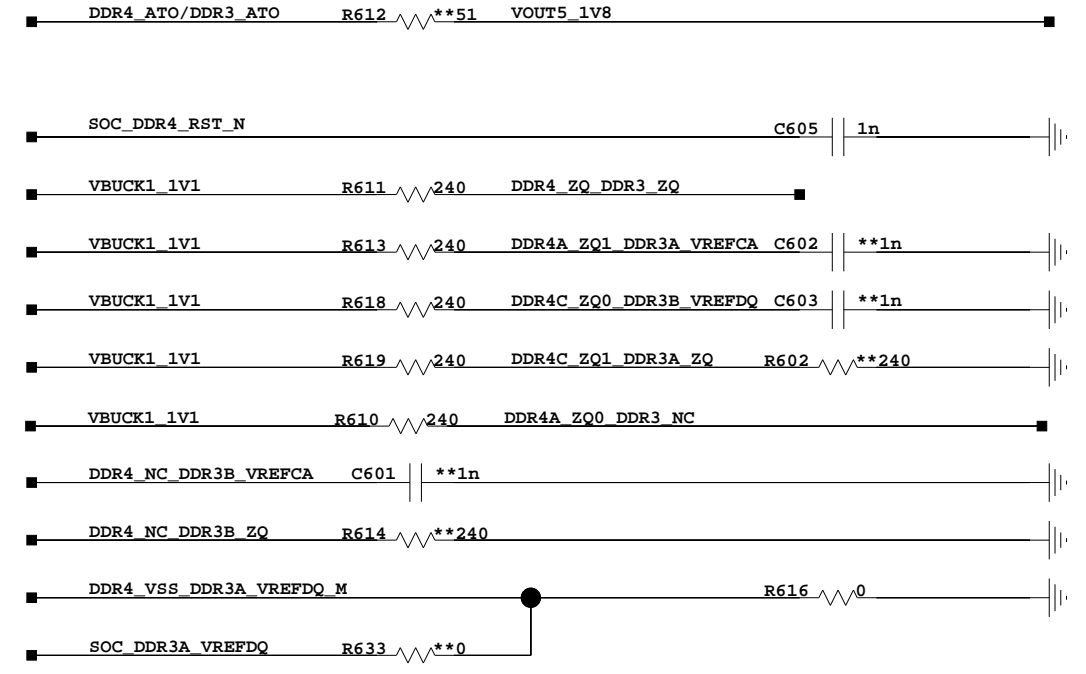
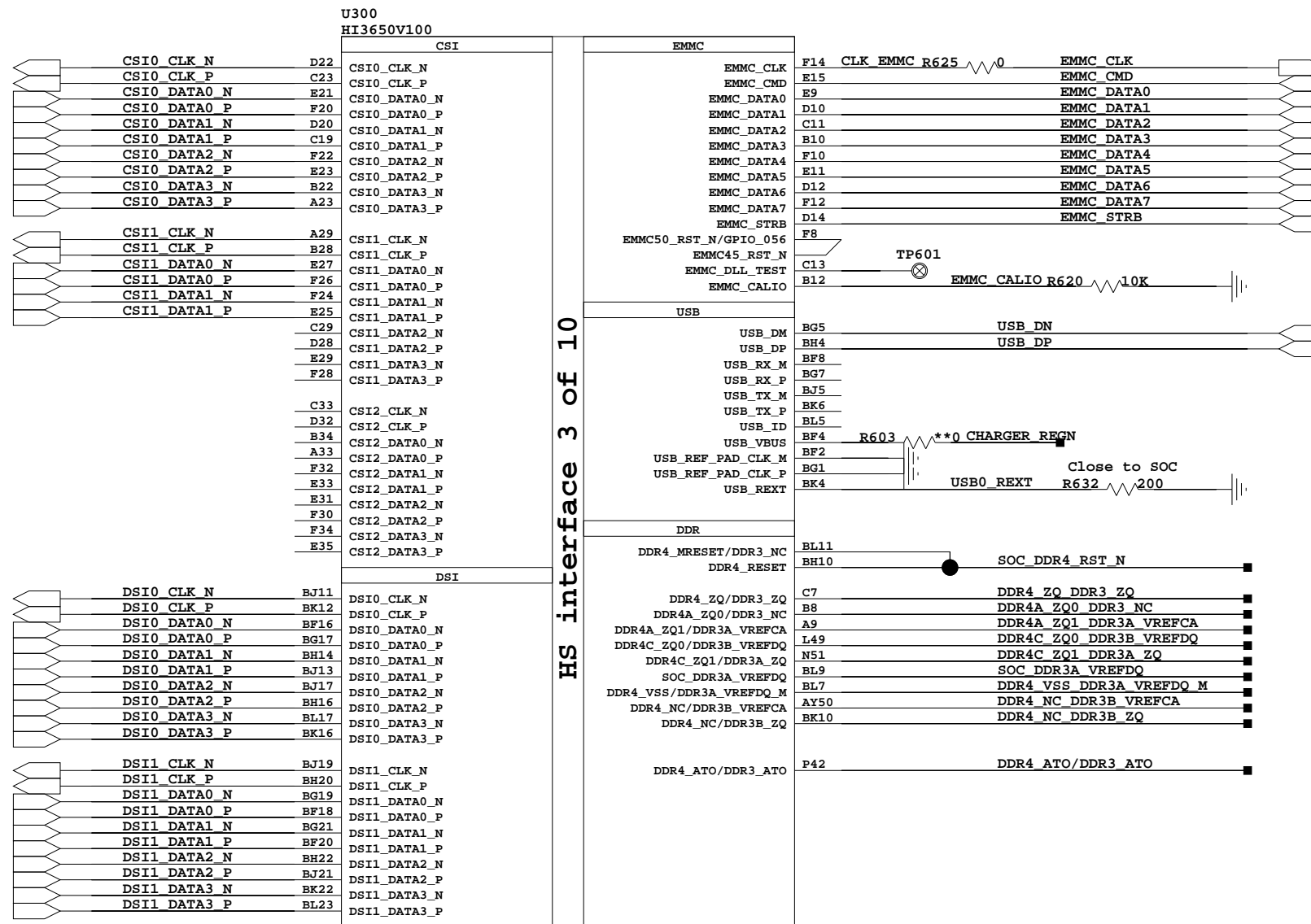
PWR3 interface 3 of 10



The type and specification of the components refer to the BOM

					20150906
				ECA NO	DATE
DESIGNED	ZHANGDAWEI/00221688	SH1EDISONAL10M			
REVIEWED	YANGYONGXIANG/00171286				
		VER	PART_NUMBER	SHEET 5 OF PWR3	
		A	0302****	HUAWEI TECH CO.,LTD.	

6. SOC HS



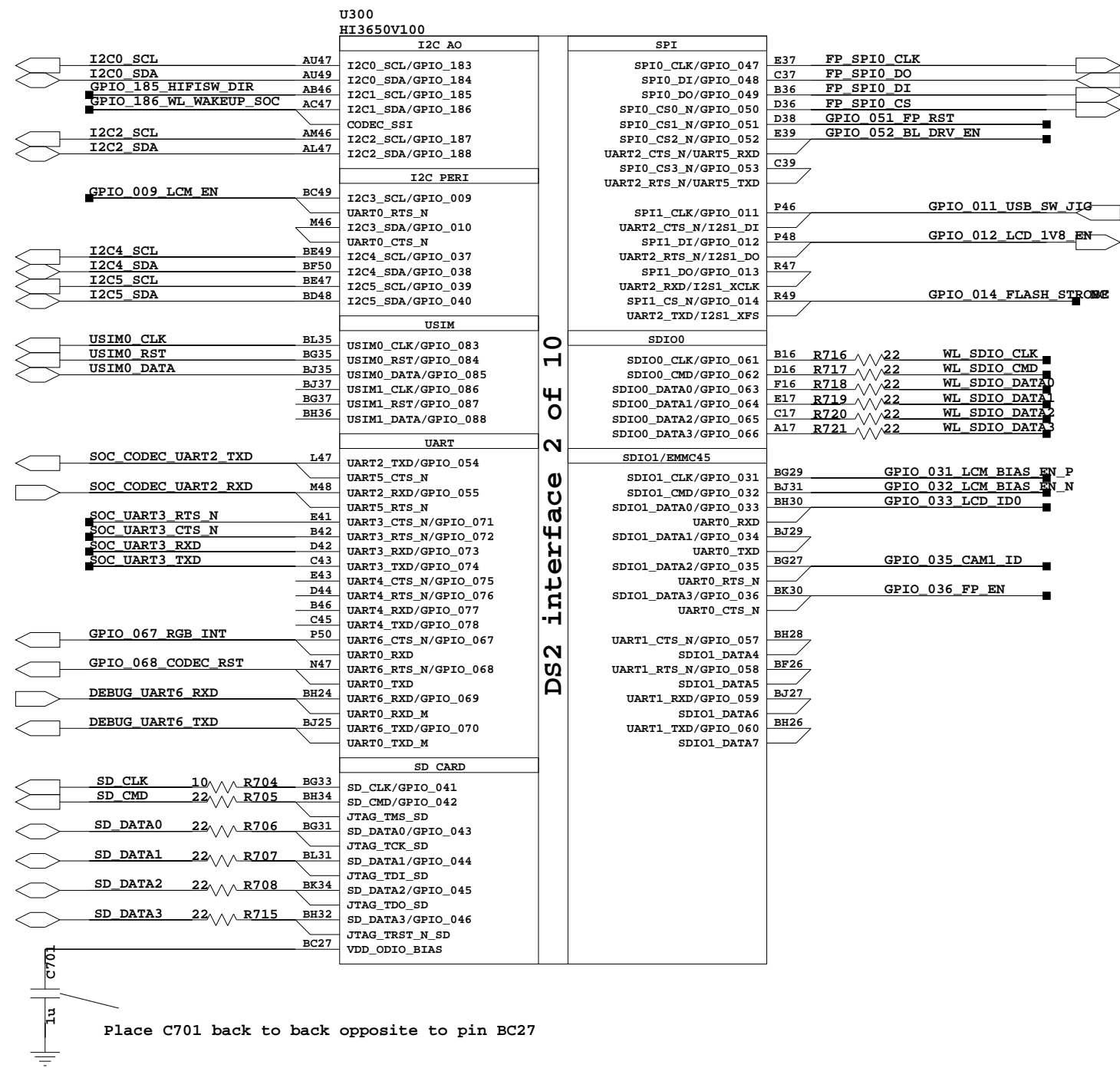
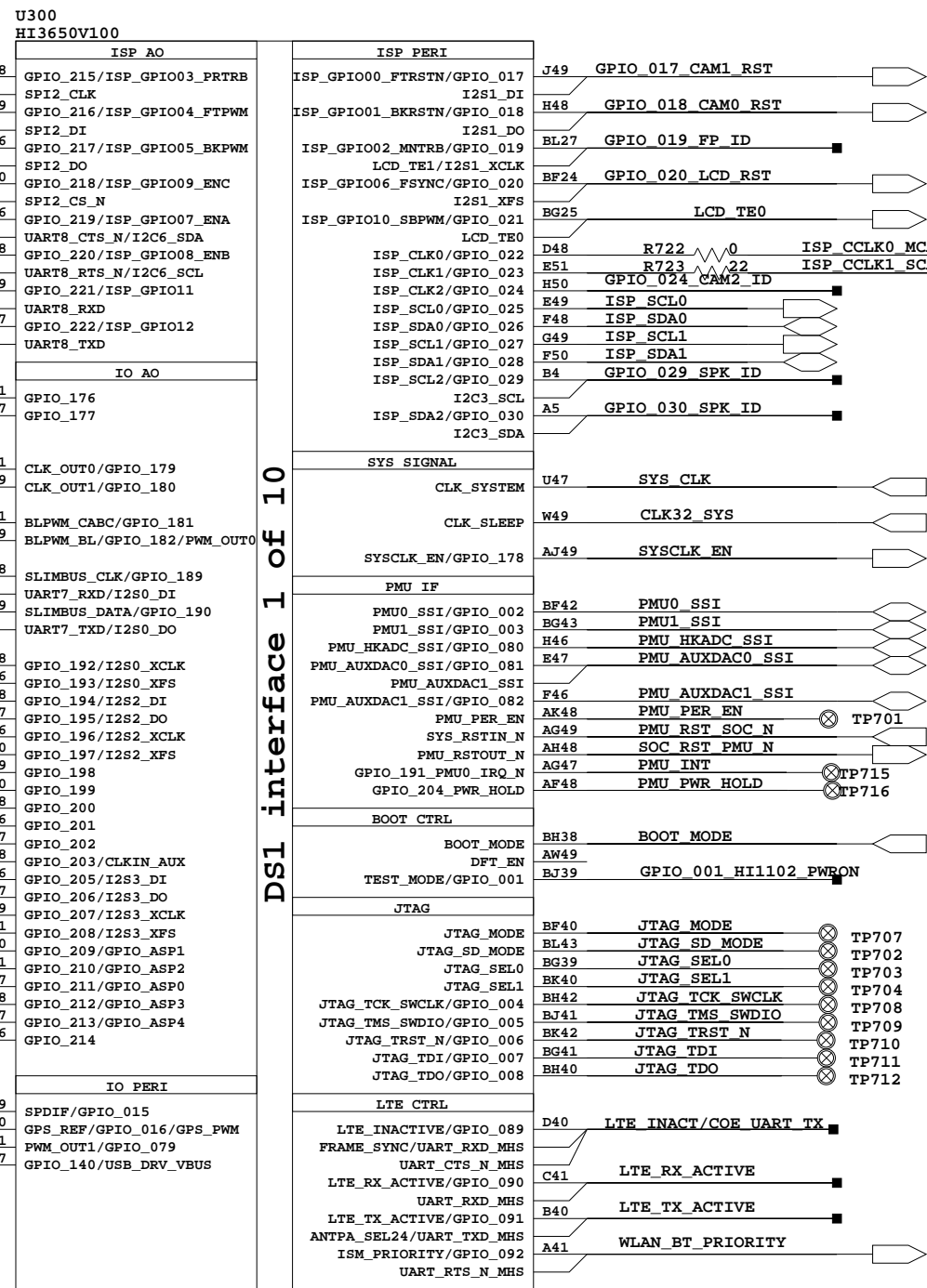
*DDR

	LPDDR3	LPDDR4
DDR4_ZQ_DDR3_ZQ	WELD R611	WELD R611
DDR4A_ZQ0_DDR3_NC	R610 NC	WELD R610
DDR4A_ZQ1_DDR3A_VREFCA	WELD C602,R613 NC	WELD R613,C602 NC
DDR4C_ZQ0_DDR3B_VREFDQ	WELD C603,R618 NC	WELD R618,C603 NC
DDR4C_ZQ1_DDR3A_ZQ	WELD R602,R619 NC	WELD R619,R602 NC
DDR4_VSS_DDR3A_VREFDQ_M	R616 WELD 1nF	WELD R616
DDR4_NC_DDR3B_VREFCA	WELD C601	C601 NC
DDR4_NC_DDR3B_ZQ	WELD R614	R614 NC
SOC_DDR3A_VREFDQ	WELD R633	R633 NC
BUCK1_VOL_SEL	WELD R1212,R1219 NC	WELD R1219,R1212 NC
DDR4_ATO/DDR3_ATO	WELD R612(for test)	R612 NC
SOC_DDR4_RST_N		

The type and specification of the components refer to the BOM

					20150906
				ECA NO	DATE
DESIGNED	HUJIAFU/00238513	SH0M3801LM			
REVIEWED	YANXUXING/00166792				
		VER	PART_NUMBER	SHEET 6 SOOFHS 58	
		A	0302****	HUAWAI TECH CO.,LTD.	

7. SOC GPIO

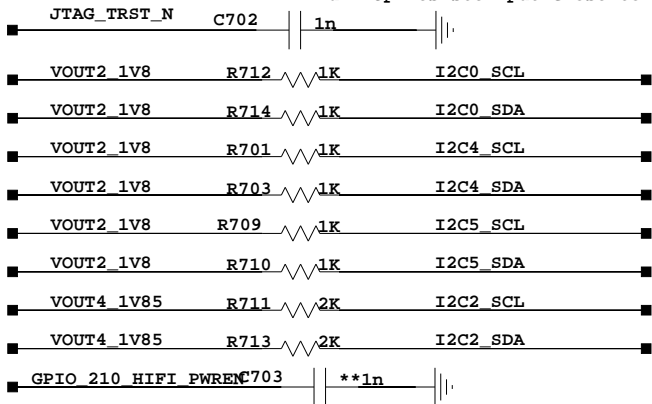


DS1 interface 1 of 10

DS2 interface 2 of 10

Place C701 back to back opposite to pin BC27

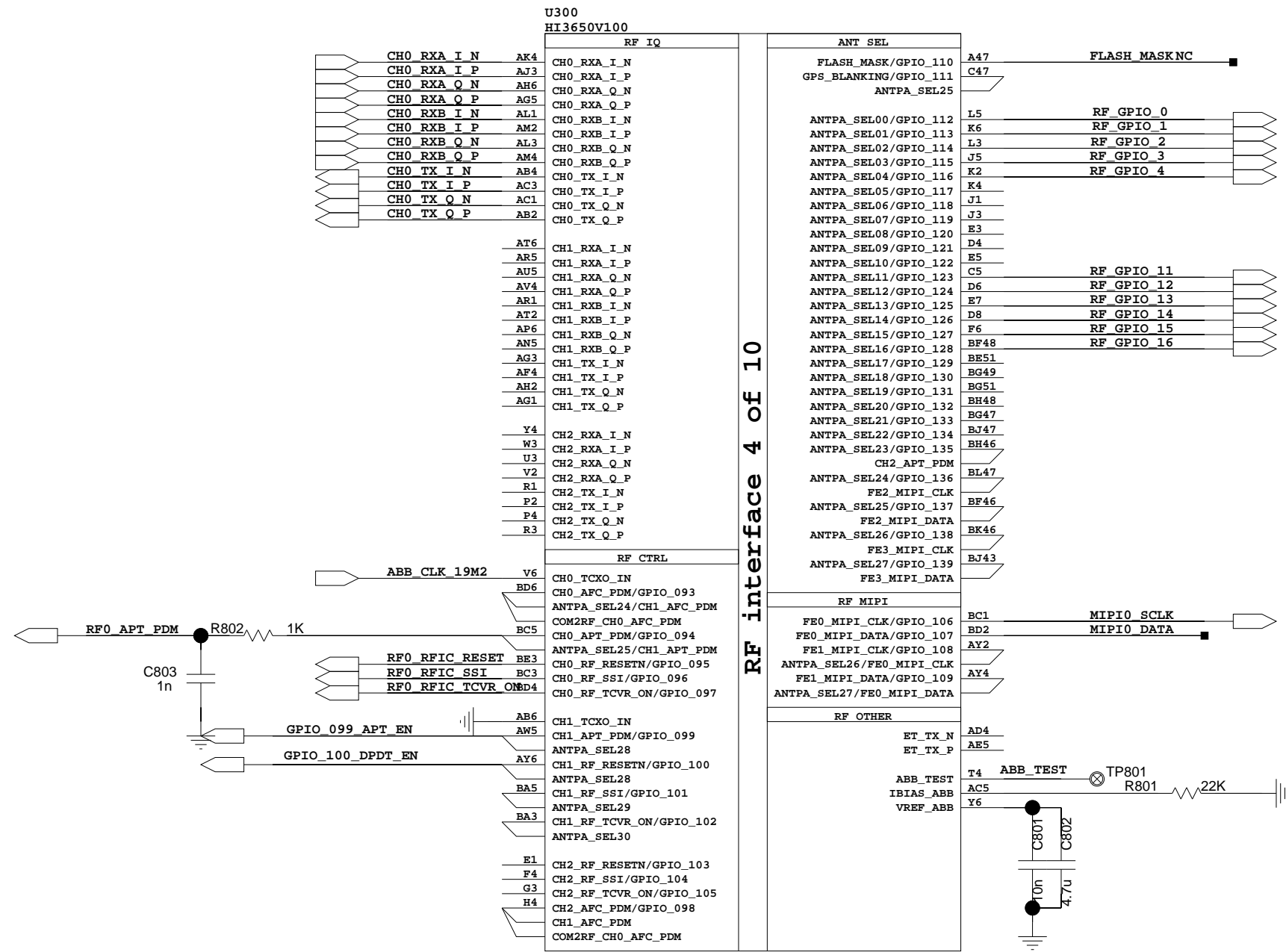
All Pull-Up Resistor put Close to Device



The type and specification of the components refer to the BOM

				23-05-2016_19:25
			TBD For	20150906
			ECA NO	DATE
DESIGNED	HUJIAFU/00238513	SH0M3801LM		
REVIEWED	YANXUXING/00166792			
		VER	PART_NUMBER	SHEET 7 SOOFGPI08
		Ver.A	0302****	HUAWEI TECH CO.,LTD.

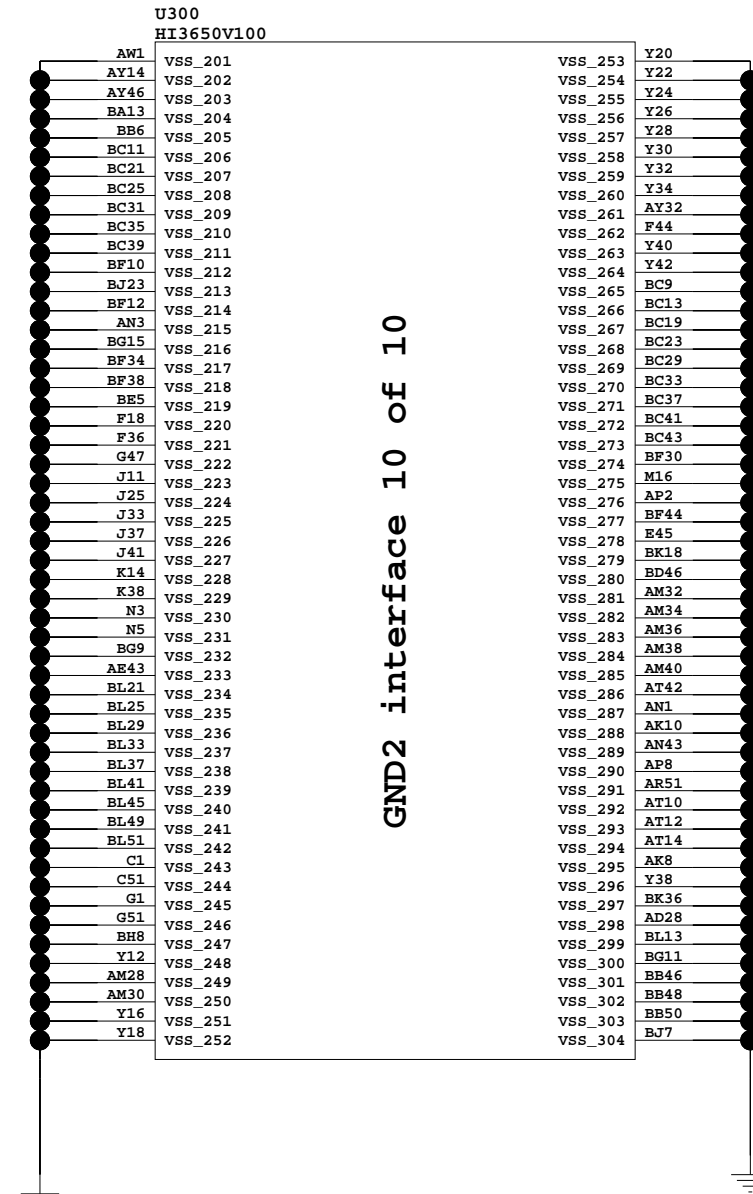
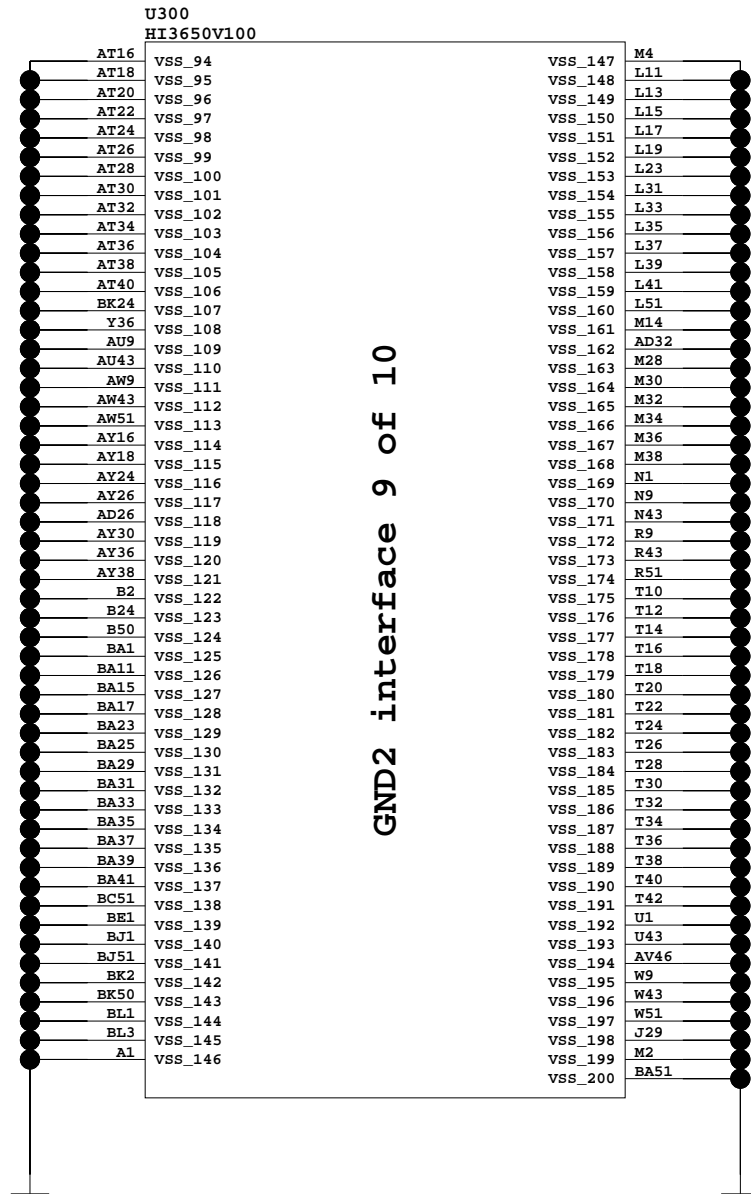
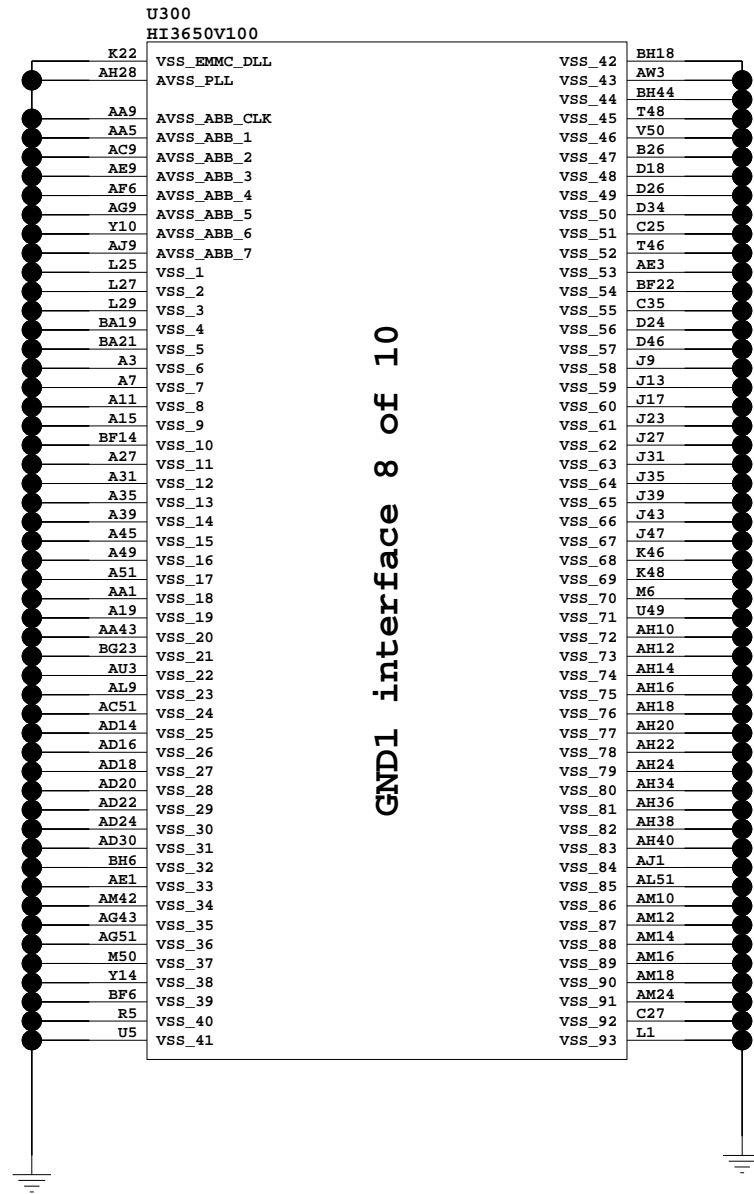
8. SOC RF



The type and specification of the components refer to the BOM

				06-05-2016_17:27
			TBD For	20150906
			ECA NO	DATE
DESIGNED	HUJIAFU/00238513	SH0M3801LM		
REVIEWED	YANXUXING/00166792			
		VER	PART_NUMBER	SHEET 8 SOOFRF 58
		Ver.A	0302****	HUAWEI TECH CO.,LTD.

9. SOC GND & NC

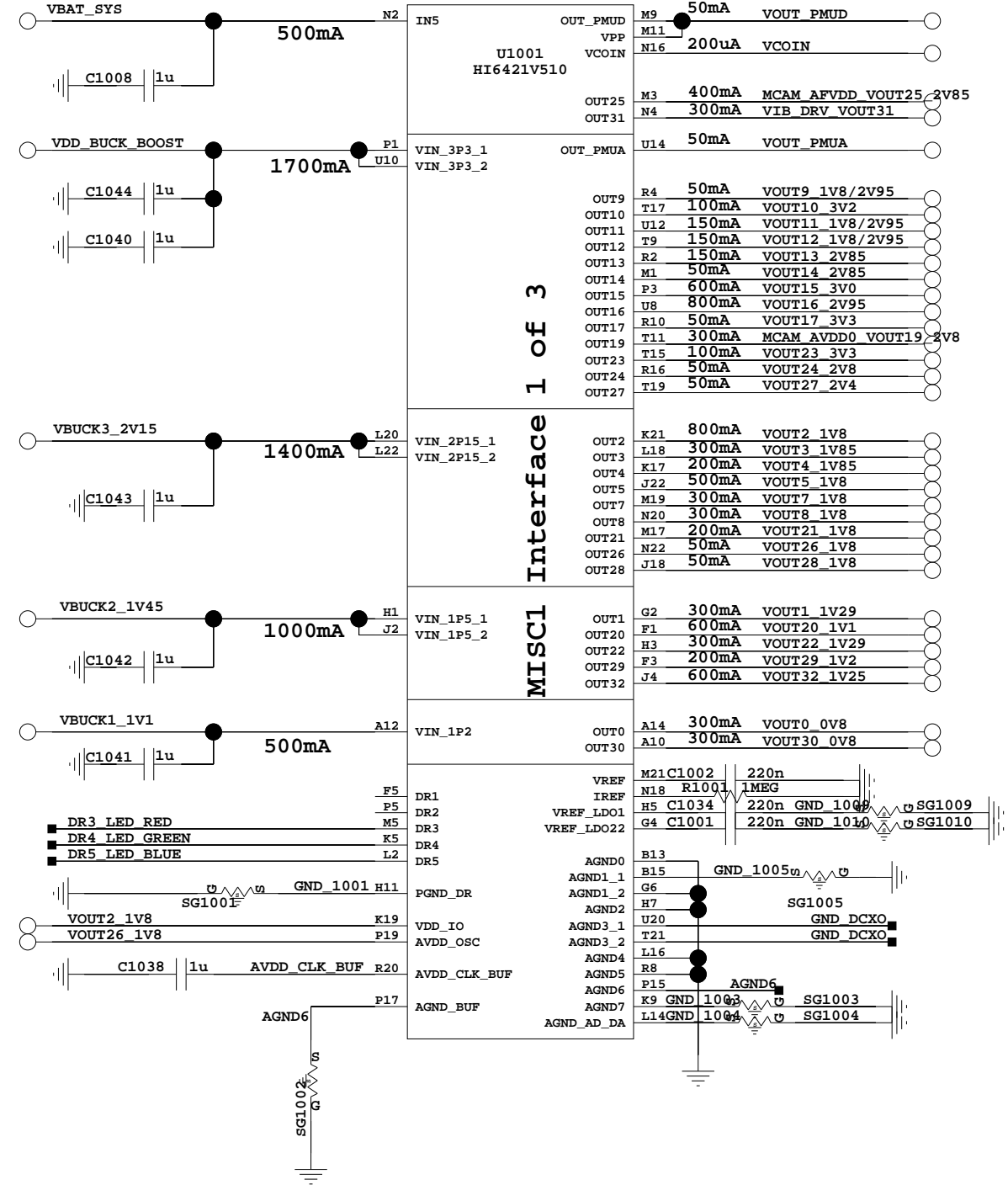


The type and specification of the components refer to the BOM

					17-12-2015_18:12
				TBD For	20150906
				ECA NO	DATE
DESIGNED	HUJIAFU/00238513	SH0M3801LM			
REVIEWED	YANXUXING/00166792				
		VER	PART_NUMBER	SHEET	9 SOC GND5 GND NC
		Ver.A	0302****	HUAWEI TECH CO.,LTD.	

10. PMU LDO

Name	Voltage	Current	Function
LDO0	0.8	300	SOC AO
LDO1	1.29	300	RFIC0 AVDD1 1.29V
LDO2	1.8	800	1V8 IO
LDO3	1.85	300	RFIC0&1 AVDD2 1.85V
LDO4	1.8	200	For LCD&TP 1.8V I/O
LDO5	1.8	500	MIPI PHY&DDR PHY
LDO7	1.8	300	ABB&PLL ANA_1V8
LDO8	1.8	300	Hi6402 ANA_1V8
LDO9	1.8/2.95	50	HI3650 SD IO
LDO10	3.2	100	USB PHY 3.3V
LDO11	1.8	150	SIM0
LDO12	1.8	150	SIM1
LDO13	2.85	150	SUB_CAM ANA_2V85
LDO14	2.85	50	TCXO1
LDO15	3	600	eMMC Flash VDDM
LDO16	2.95	800	SD
LDO17	2.8	50	LCD &TP AVDD
LDO19	2.8	300	Camera ANA_2V85
LDO20	1.2	600	M_Camera Core
LDO21	1.8	200	EFUSE_SYS
LDO22	1.29	300	RFIC1 AVDD1 1.29V
LDO23	3.3	100	PA BIAS
LDO24	2.8	50	X Sensor AVDD_2V8
LDO25	2.85	400	Camera OIS AVDD_2V85
LDO26	1.8	50	19M2 XO
LDO27	2.4	50	Hi6362 AVDD3
LDO28	1.8	50	PA Star
LDO29	1.2	200	Hi6402 1.2V
LDO30	0.8	300	emmc phy 0.8V Core
LDO31	2.8	300	Vibrator
LDO32	1.2	600	S_Camera Core

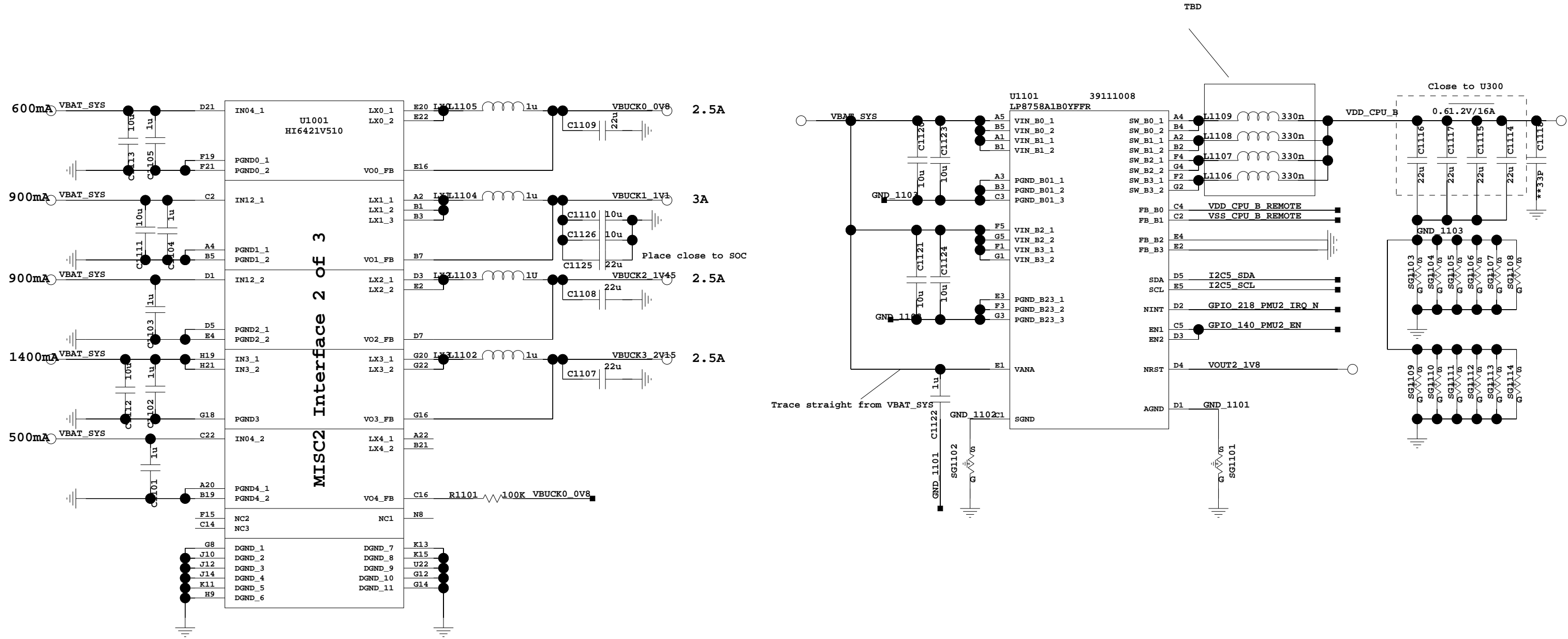


VOUT2 1V8	C1017	**2.2u
VOUT PMUD	C1004	1u
VCOIN	C1003	22u
MCAM AFVDD VOUT25 2V85	C1028	4.7u
VIB DRV VOUT31	C1046	4.7u
VOUT PMUA	C1007	1u
VOUT10 3V2	C1014	1u
VOUT11 1V8/2V95	C1016	1u
VOUT8 1V8	C1009	2.2u
VOUT12 1V8/2V95	C1013	2.2u
VOUT13 2V85	C1020	1u
VOUT14 2V85	C1015	**2.2u
VOUT15 3V0	C1022	4.7u
VOUT16 2V95	C1026	4.7u
VOUT17 3V3	C1005	1u
MCAM AVDD0 VOUT19 2V8	C1006	4.7u
VOUT23 3V3	C1021	1u
VOUT24 2V8	C1035	1u
VOUT27 2V4	C1036	1u
	C1045	4.7u
VOUT3 1V85	C1023	4.7u
VOUT4 1V85	C1037	4.7u
VOUT5 1V8	C1012	4.7u
VOUT7 1V8	C1010	4.7u
VOUT21 1V8	C1019	1u
VOUT26 1V8	C1039	4.7u
VOUT28 1V8	C1029	1u
VOUT1 1V29	C1033	4.7u
VOUT20 1V1	C1018	4.7u
VOUT22 1V29	C1027	**4.7u
VOUT29 1V2	C1011	1u
VOUT32 1V25	C1030	4.7u
VOUT0 0V8	C1025	4.7u
VOUT30 0V8	C1031	4.7u

The type and specification of the components refer to the BOM

DESIGNED	HUJIAFU/00238513	SH0M3801LM	VER	PART_NUMBER	SHEET 10 PMU LDO8
REVIEWED	YANXUXING/00166792		Ver.A	0302****	HUAWEI TECH CO.,LTD.
				TBD For	12-05-2016_20:39
				ECA NO	20150906
				DATE	

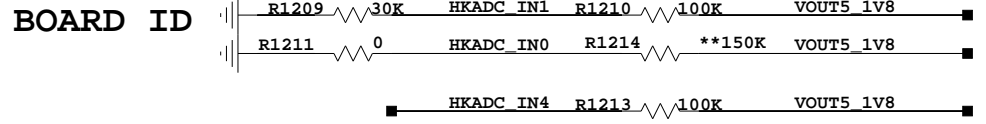
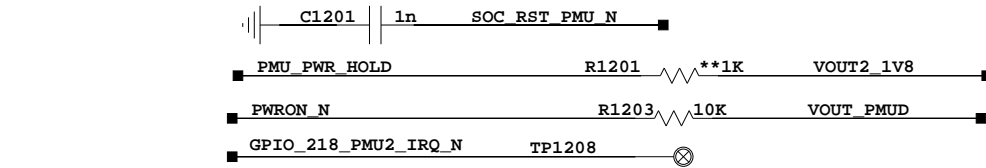
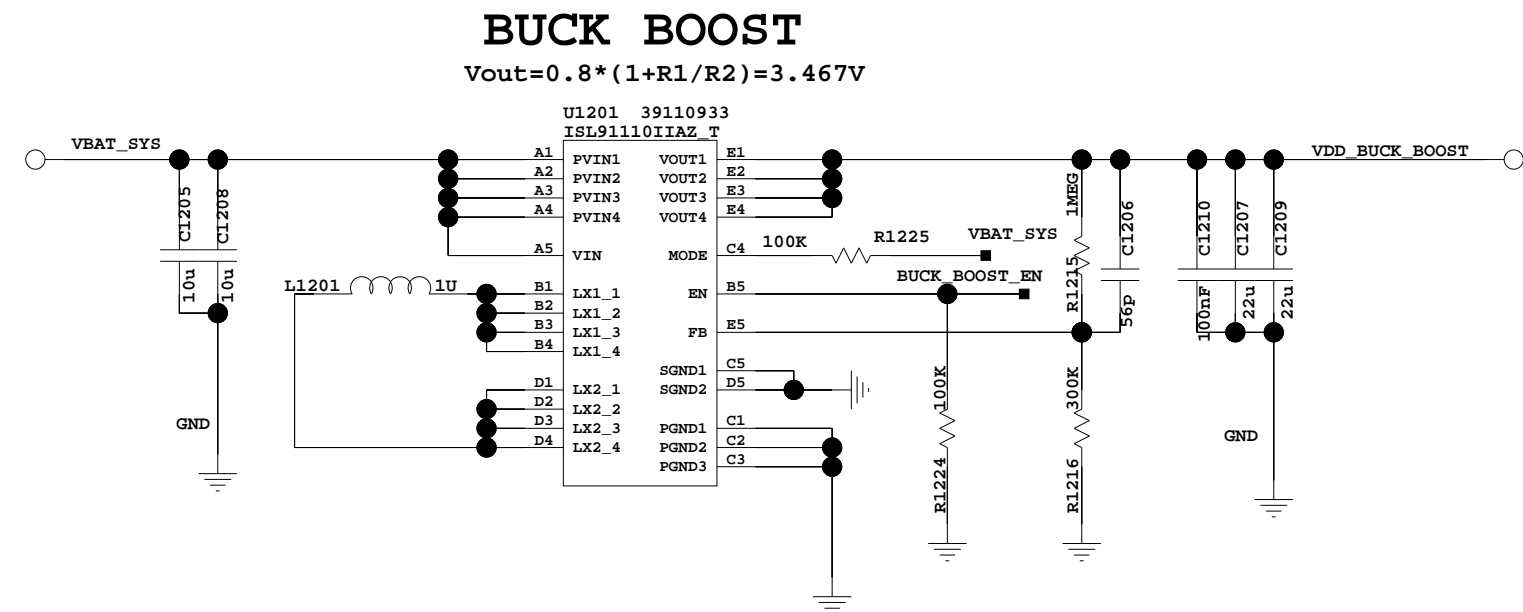
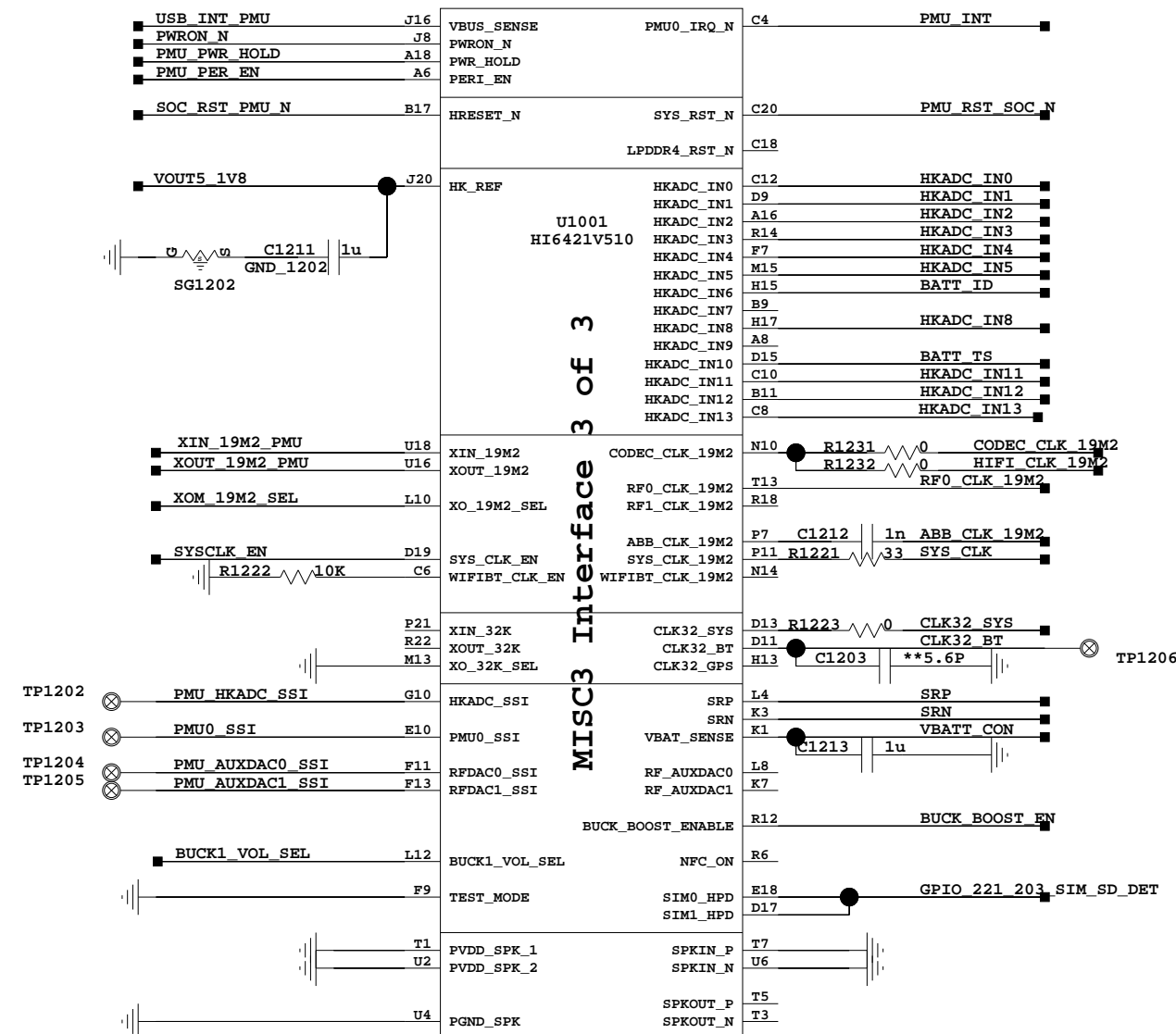
11. PMU BUCK & 8758 BUCK



The type and specification of the components refer to the BOM

				12-05-2016_17:38
			TBD For	20150906
			ECA NO	DATE
DESIGNED	HUJIAFU/00238513	SH0M3801LM		
REVIEWED	YANXUXING/00166792			
		VER	PART_NUMBER	SHEET 11 PMU BUCK AND 8758 BU
		Ver.A	0302****	HUAWEI TECH CO.,LTD.

12. PMU MISC & BUCKBOOST



Next_ALL	HKADC2	HKADC1	HKADC0
Board ID	1	2	0

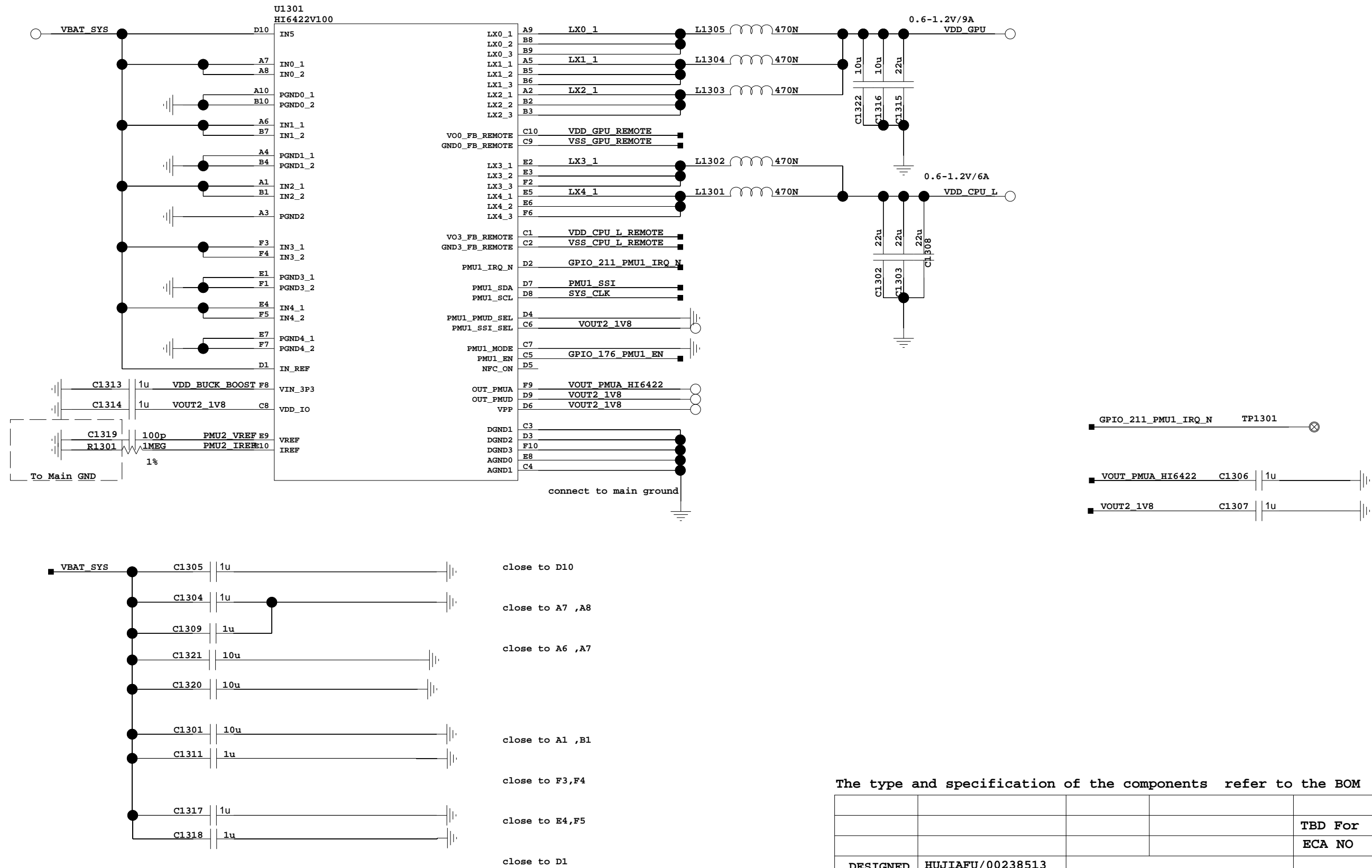
	0	1
XO_32K_SEL	WITHOUT CRYSTAL	WITH CRYSTAL
XO_19M2_SEL	38M4	19M2
BUCK1_VOL_SEL	1V2 DDR3	1V1 DDR4

HKADC	Function	HKADC	Function
HKADC_IN0	Board ID	HKADC_IN7	EAR_PWR_H
HKADC_IN1	Board ID	HKADC_IN8	Power Detect
HKADC_IN2	Board ID	HKADC_IN9	EAR_PWR_L
HKADC_IN3	DCXO Temp	HKADC_IN10	BATT Temp
HKADC_IN4	USB Temp Protection (Flash LED Temp compatible)	HKADC_IN11	MMBPA Temp
HKADC_IN5	Charge Current	HKADC_IN12	AP Temp
HKADC_IN6	BATT ID	HKADC_IN13	Invalid

The type and specification of the components refer to the BOM

DESIGNED	HUJIAFU/00238513	VER	PART_NUMBER	SHEET	12 PMU MISC AND BUCKBOOST
REVIEWED	YANXUXING/00166792	Ver.A	0302****	12	HUAWEI TECH CO.,LTD.

13. HI6422

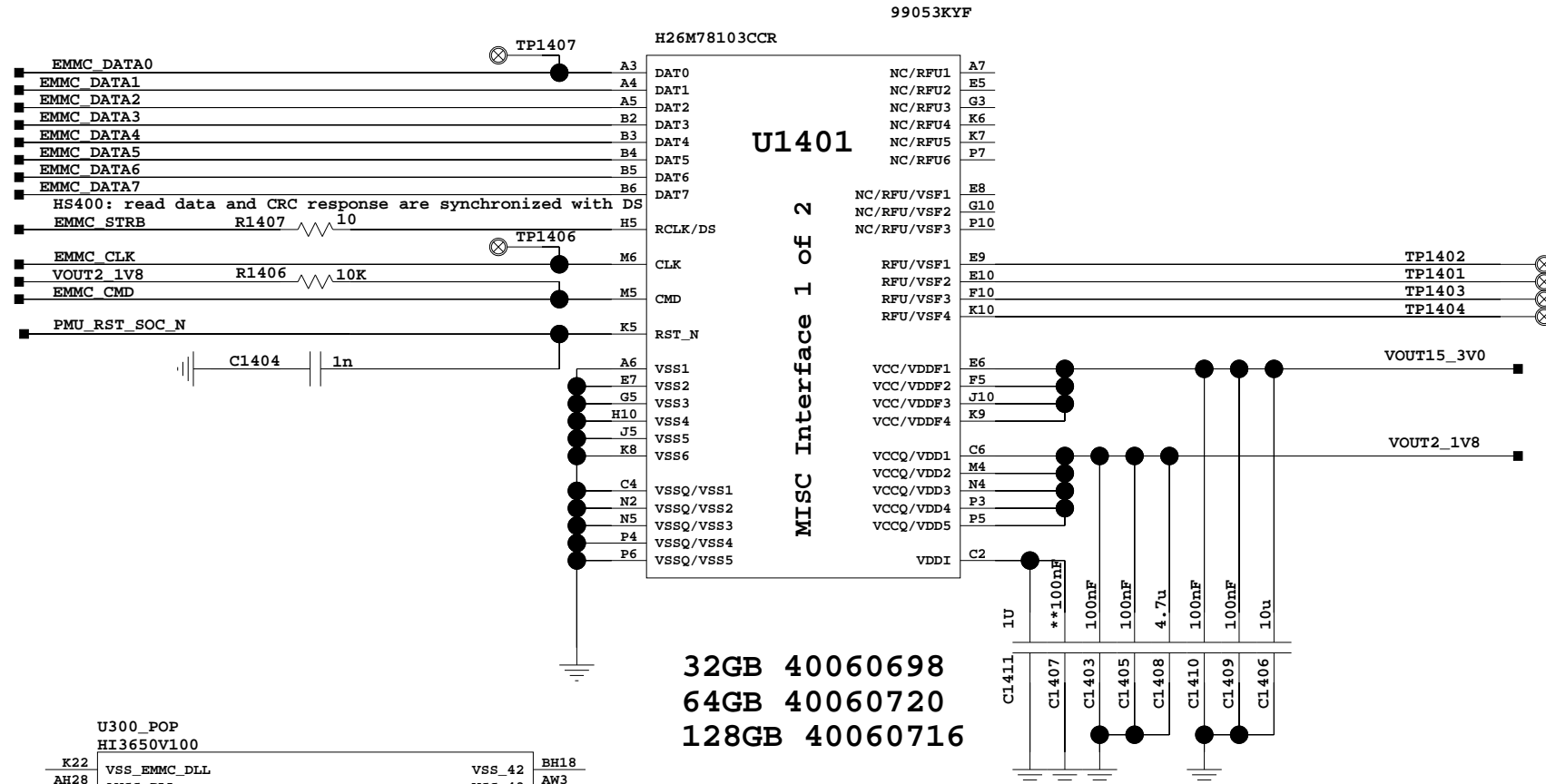


The type and specification of the components refer to the BOM

				13-05-2016_09:37
			TBD For	20150906
			ECA NO	DATE
DESIGNED	HUJIAFU/00238513	SH0M3801LM		
REVIEWED	YANXUXING/00166792			
		VER	PART_NUMBER	SHEET 13 HD642258
		Ver.A	0302****	HUAWEI TECH CO.,LTD.

14. eMMC AND LpDDR3

eMMC 5.0



32GB 40060698
64GB 40060720
128GB 40060716

32G: 300mA (MAX) 150mA (TYP)
64G: 450mA (MAX) 200mA (TYP)
128G: 450mA (MAX) 200mA (TYP)

32G: 400mA (MAX) 275mA (TYP)
64G: 450mA (MAX) 275mA (TYP)
128G: 450mA (MAX) 300mA (TYP)

A1	NC1	NC55	H2
A2	NC2	NC56	H3
A8	NC3	NC57	H12
A9	NC4	NC58	H13
A10	NC5	NC59	H14
A11	NC6	NC60	J1
A12	NC7	NC61	J2
A13	NC8	NC62	J3
A14	NC9	NC63	J12
B1	NC10	NC64	J13
B7	NC11	NC65	J14
B8	NC12	NC66	K1
B9	NC13	NC67	K2
B10	NC14	NC68	K3
B11	NC15	NC69	K12
B12	NC16	NC70	K13
B13	NC17	NC71	K14
B14	NC18	NC72	L1
C1	NC19	NC73	L2
C3	NC20	NC74	L3
C5	NC21	NC75	L12
C7	NC22	NC76	L13
C8	NC23	NC77	L14
C9	NC24	NC78	M1
C10	NC25	NC79	M2
C11	NC26	NC80	M3
C12	NC27	NC81	M7
C13	NC28	NC82	M8
C14	NC29	NC83	M9
D1	NC30	NC84	M10
D2	NC31	NC85	M11
D3	NC32	NC86	M12
D4	NC33	NC87	M13
D12	NC34	NC88	M14
D13	NC35	NC89	N1
D14	NC36	NC90	N3
E1	NC37	NC91	N6
E2	NC38	NC92	N7
E3	NC39	NC93	N8
E12	NC40	NC94	N9
E13	NC41	NC95	N10
E14	NC42	NC96	N11
F1	NC43	NC97	N12
F2	NC44	NC98	N13
F3	NC45	NC99	N14
F12	NC46	NC100	P1
F13	NC47	NC101	P2
F14	NC48	NC102	P8
G1	NC49	NC103	P9
G2	NC50	NC104	P11
G12	NC51	NC105	P12
G13	NC52	NC106	P13
G14	NC53	NC107	P14
H1	NC54		

U1401

NC Interface 2 of 2

GND1 interface 8 of 10

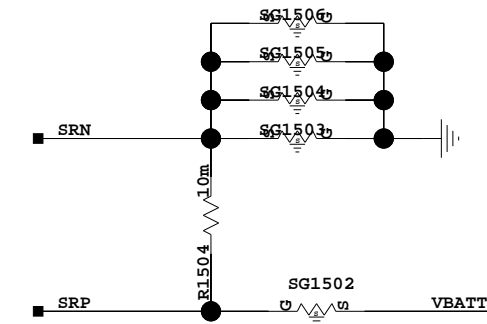
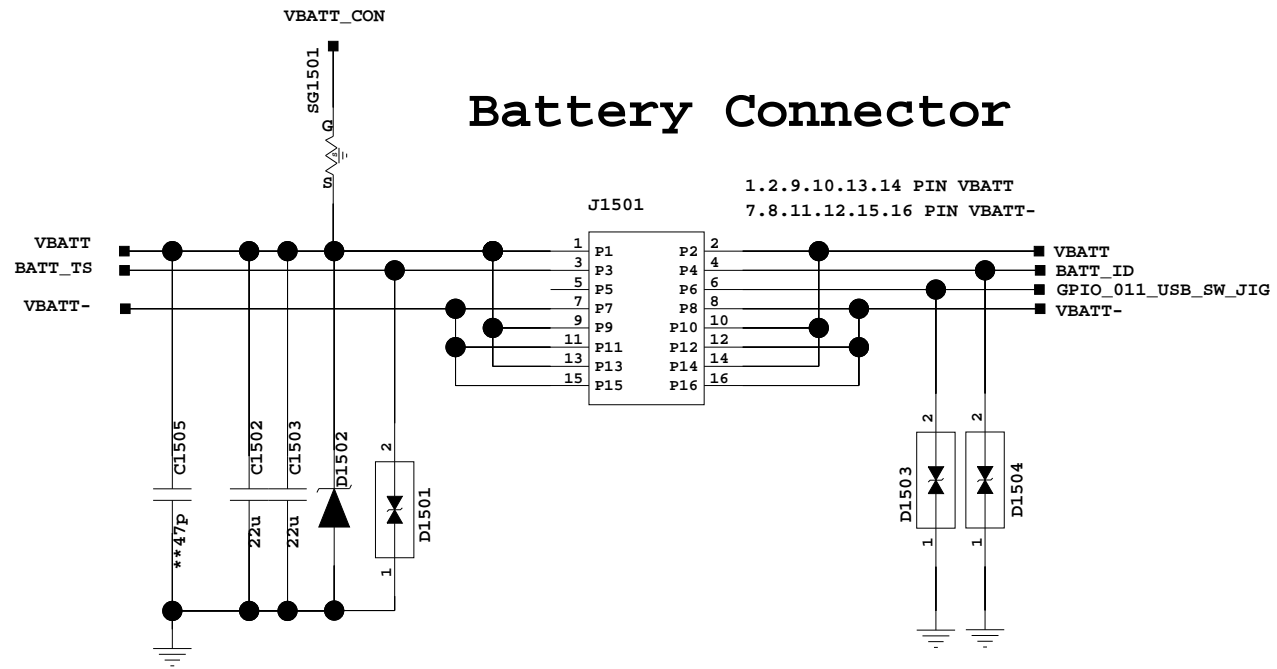
K22	VSS_EMMC_DLL	VSS_42	BH18
AH28	AVSS_PLL	VSS_43	AW3
		VSS_44	BH44
AA9	AVSS_ABB_CLK	VSS_45	T48
AA5	AVSS_ABB_1	VSS_46	V50
AC9	AVSS_ABB_2	VSS_47	B26
AE9	AVSS_ABB_3	VSS_48	D18
AF6	AVSS_ABB_4	VSS_49	D26
AG9	AVSS_ABB_5	VSS_50	D34
Y10	AVSS_ABB_6	VSS_51	C25
AJ9	AVSS_ABB_7	VSS_52	T46
L25	VSS_1	VSS_53	AE3
L27	VSS_2	VSS_54	BF22
L29	VSS_3	VSS_55	C35
BA19	VSS_4	VSS_56	D24
BA21	VSS_5	VSS_57	D46
A3	VSS_6	VSS_58	J9
A7	VSS_7	VSS_59	J13
A11	VSS_8	VSS_60	J17
A15	VSS_9	VSS_61	J23
BF14	VSS_10	VSS_62	J27
A27	VSS_11	VSS_63	J31
A31	VSS_12	VSS_64	J35
A35	VSS_13	VSS_65	J39
A39	VSS_14	VSS_66	J43
A45	VSS_15	VSS_67	J47
A49	VSS_16	VSS_68	K46
A51	VSS_17	VSS_69	K48
AA1	VSS_18	VSS_70	M6
A19	VSS_19	VSS_71	U49
AA43	VSS_20	VSS_72	AH10
BG23	VSS_21	VSS_73	AH12
AU3	VSS_22	VSS_74	AH14
AL9	VSS_23	VSS_75	AH16
AC51	VSS_24	VSS_76	AH18
AD14	VSS_25	VSS_77	AH20
AD16	VSS_26	VSS_78	AH22
AD18	VSS_27	VSS_79	AH24
AD20	VSS_28	VSS_80	AH34
AD22	VSS_29	VSS_81	AH36
AD24	VSS_30	VSS_82	AH38
AD30	VSS_31	VSS_83	AH40
BH6	VSS_32	VSS_84	AJ1
AE1	VSS_33	VSS_85	AL51
AM42	VSS_34	VSS_86	AM10
AG43	VSS_35	VSS_87	AM12
AG51	VSS_36	VSS_88	AM14
M50	VSS_37	VSS_89	AM16
Y14	VSS_38	VSS_90	AM18
BF6	VSS_39	VSS_91	AM24
R5	VSS_40	VSS_92	C27
U5	VSS_41	VSS_93	L1

3G LPDDR3 40020368
3G LPDDR4 40020367
4G LPDDR4 40020366

The type and specification of the components refer to the BOM

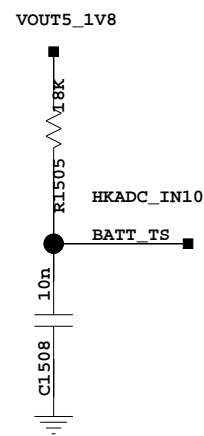
				06-05-2016_17:27
			TBD For	20150906
			ECA NO	DATE
DESIGNED	HUJIAFU/00238513			
REVIEWED	YANXUXING/00166792			
			SH0M3801LM	
		VER	PART_NUMBER	SHEET 14 eMMC AND LPDDR3
		Ver.A	0302****	HUAWEI TECH CO.,LTD.

15. Battery & Fuel guage

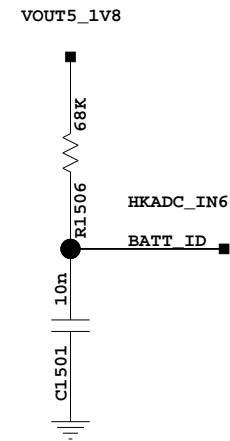


CAD note:1.Trace for 6A

2.Differential trace



Battery Temperature



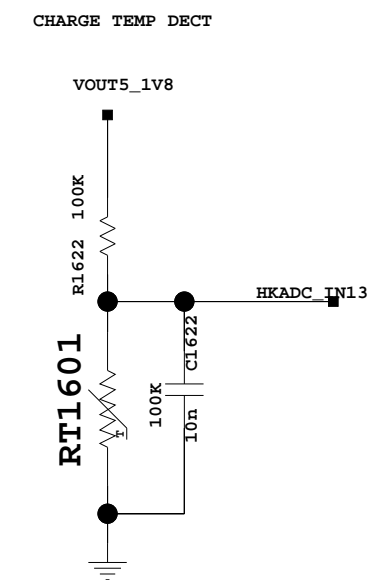
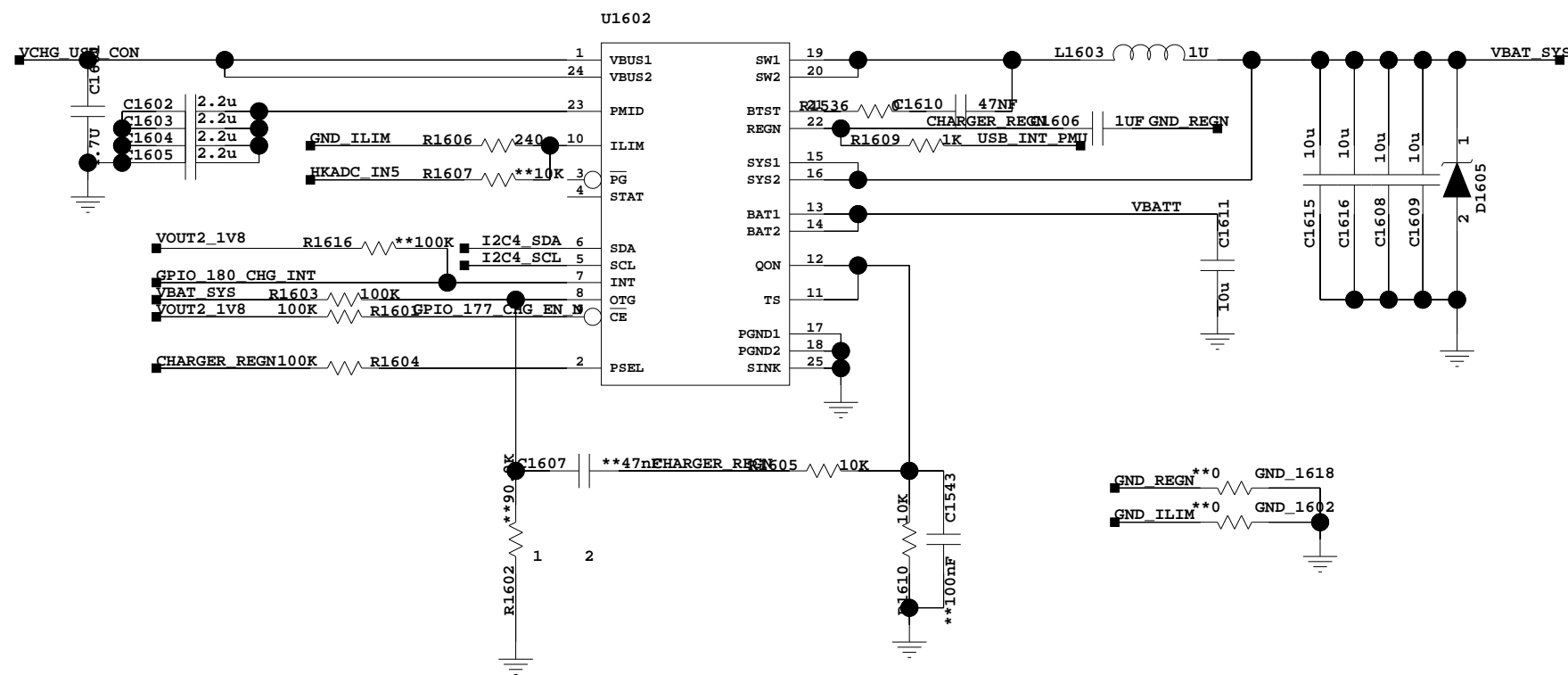
Battery ID

The type and specification of the components refer to the BOM

				NA	20150906
				ECA NO	DATE
DESIGNED	HUJIAFU/00238513	SH0M3801LM			
REVIEWED	YANXUXING/00166792				
		VER	PART_NUMBER	SHEET 15 of 58	
		A	0302****	HUAWEI TECH CO.,LTD.	

16. Charge Management

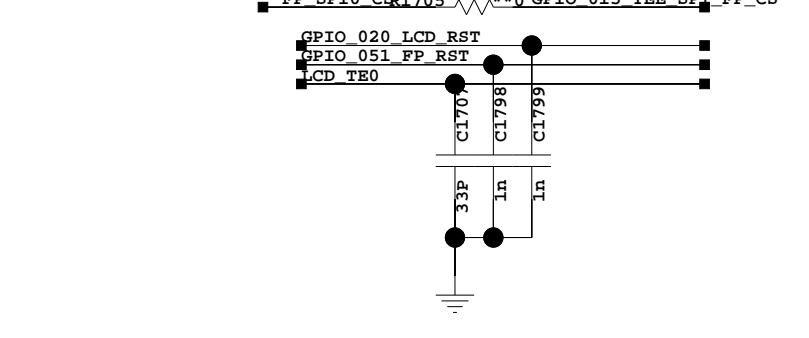
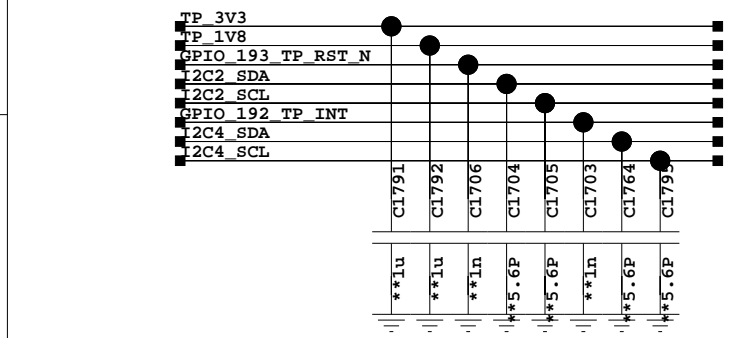
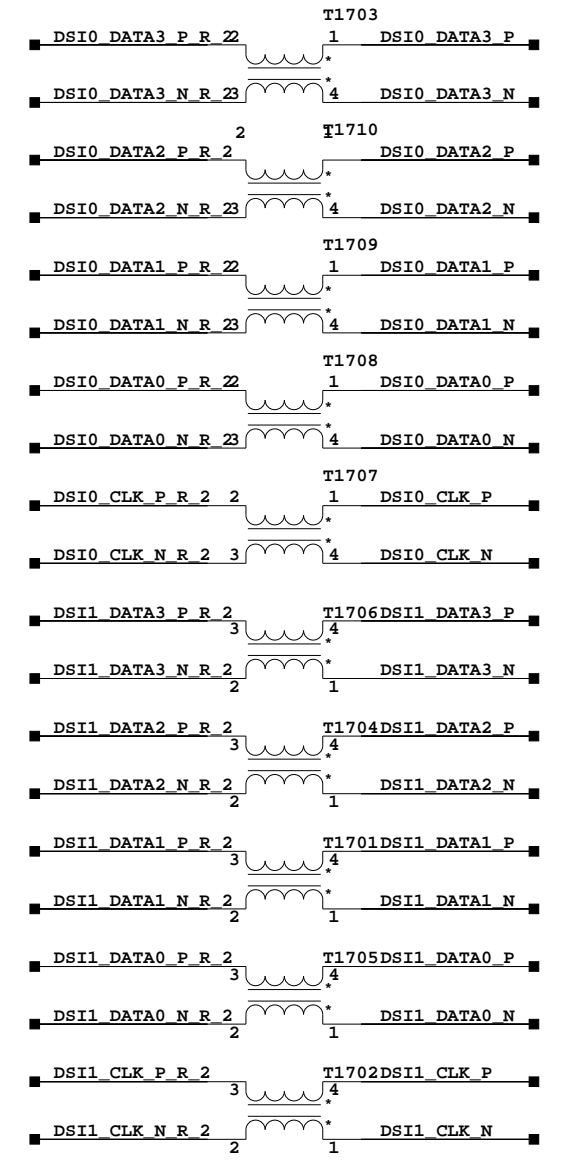
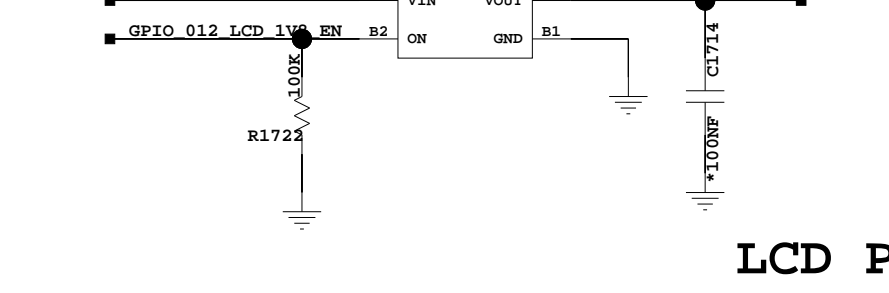
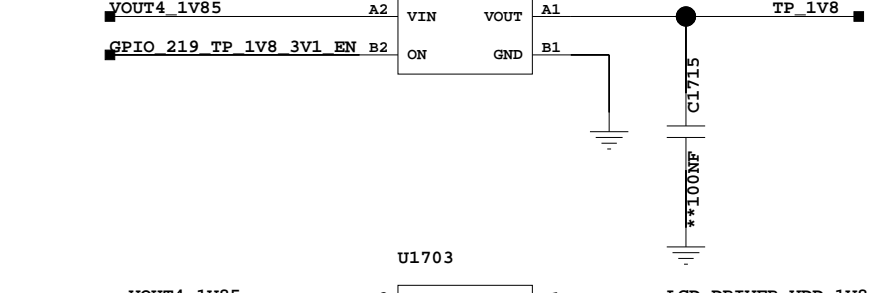
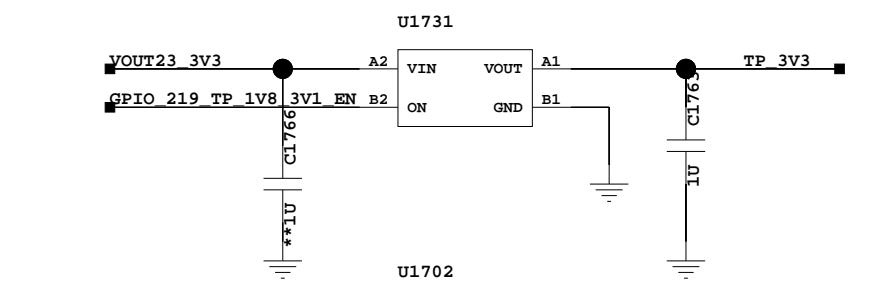
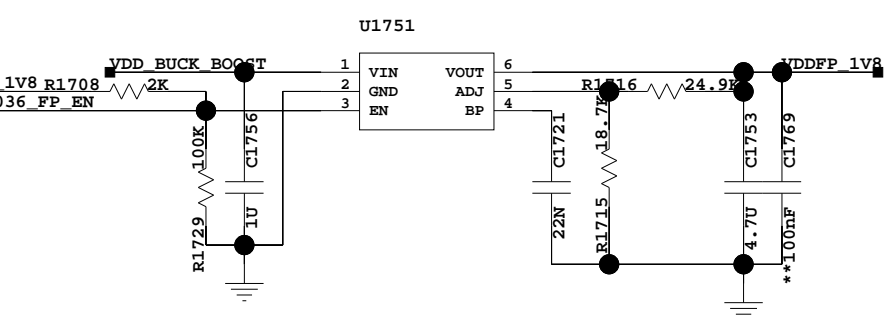
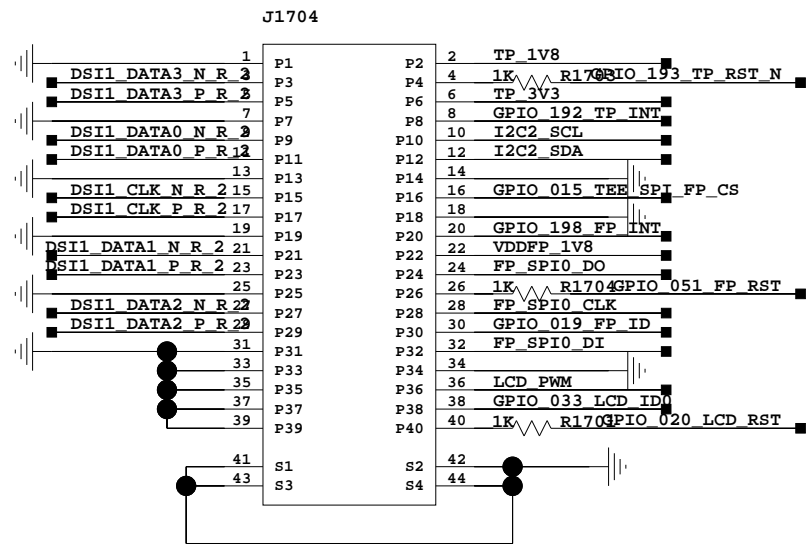
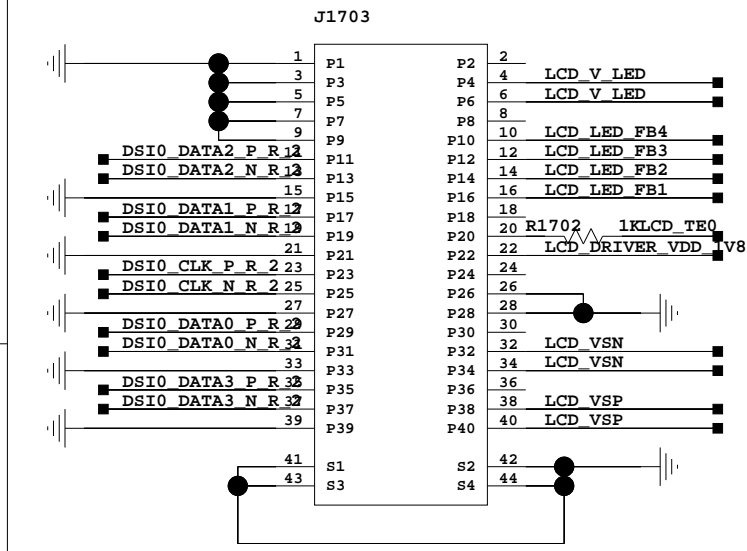
Charger IC



The type and specification of the components refer to the BOM

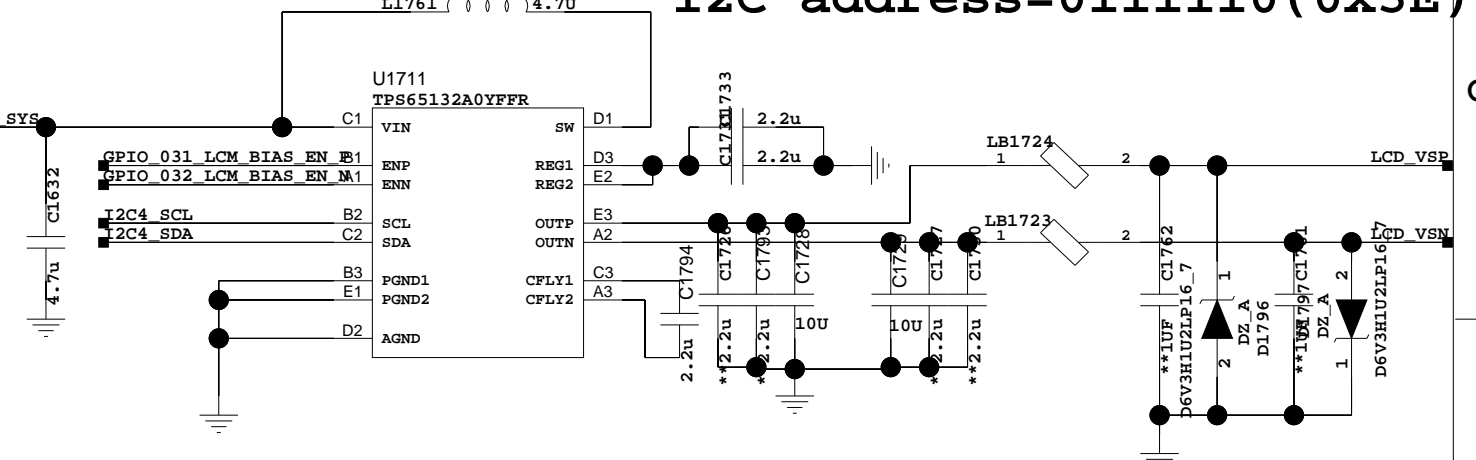
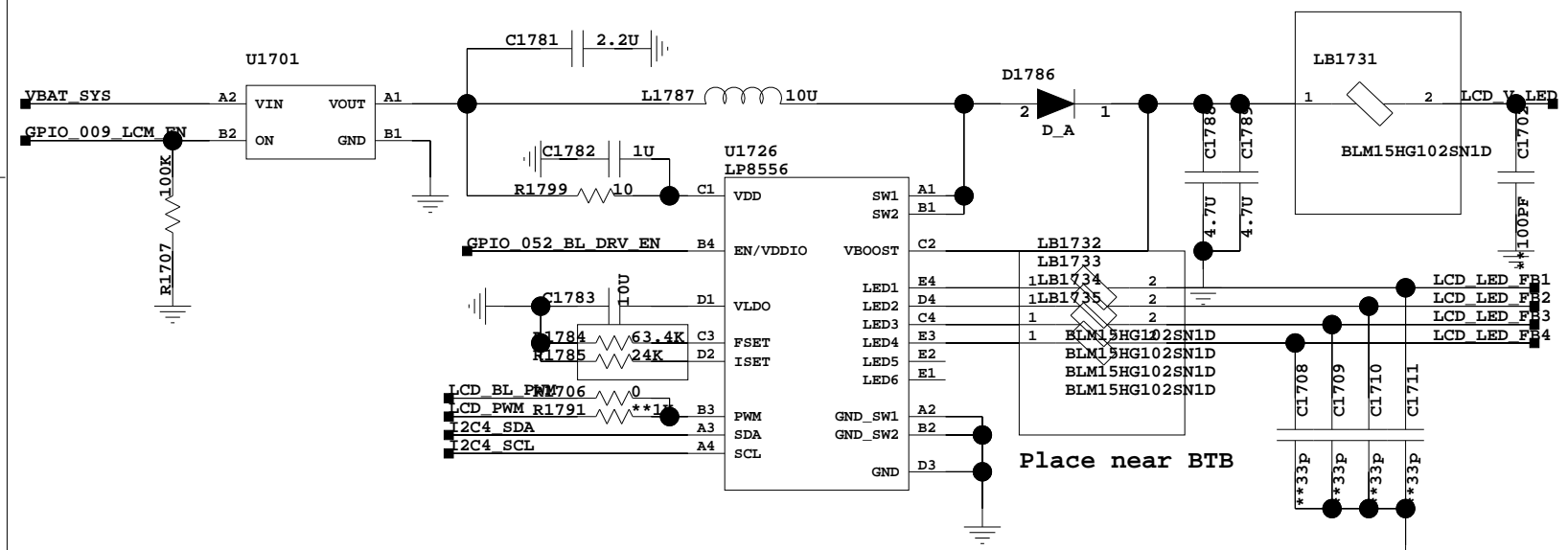
					12-05-2016_17:40
					20150906
				ECA NO	DATE
DESIGNED	HUJIAFU/00238513	SH0M3801LM			
REVIEWED	YANXUXING/00166792				
		VER	PART_NUMBER	SHEET 16 Charge Management	
			0302****	HUAWEI TECH CO.,LTD.	

17. LCD Interface



I2C address=0101100(0x2C)

LCD POS/NEG Voltage Driver
I2C address=0111110(0x3E)



fsw=625K
fpwm=2402Hz(12bit)

The type and specification of the components refer to the BOM

DESIGNED	HUJIAFU/00238513	SH0M3801LM	VER	PART_NUMBER	SHEET	17	LOC In50rface
REVIEWED	YANXUXING/00166792		A	0302****	DATE		HUAWEI TECH CO.,LTD.
					ECA NO	NA	20150906

1

2

3

4

5

6

A

A

B

B

C

C

D

D

The type and specification of the components refer to the BOM

					22-12-2015_16:47
				NA	20150906
				ECA NO	DATE
DESIGNED	HUJIAFU/00238513	SH0M3801LM			
REVIEWED	YANXUXING/00166792				
		VER	PART_NUMBER	SHEET 18 NOEL 58	
		B	0302****	HUAWEI TECH CO.,LTD.	

1

2

3

4

5

6

19. Flash LED

A

A

B

B

C

C

D

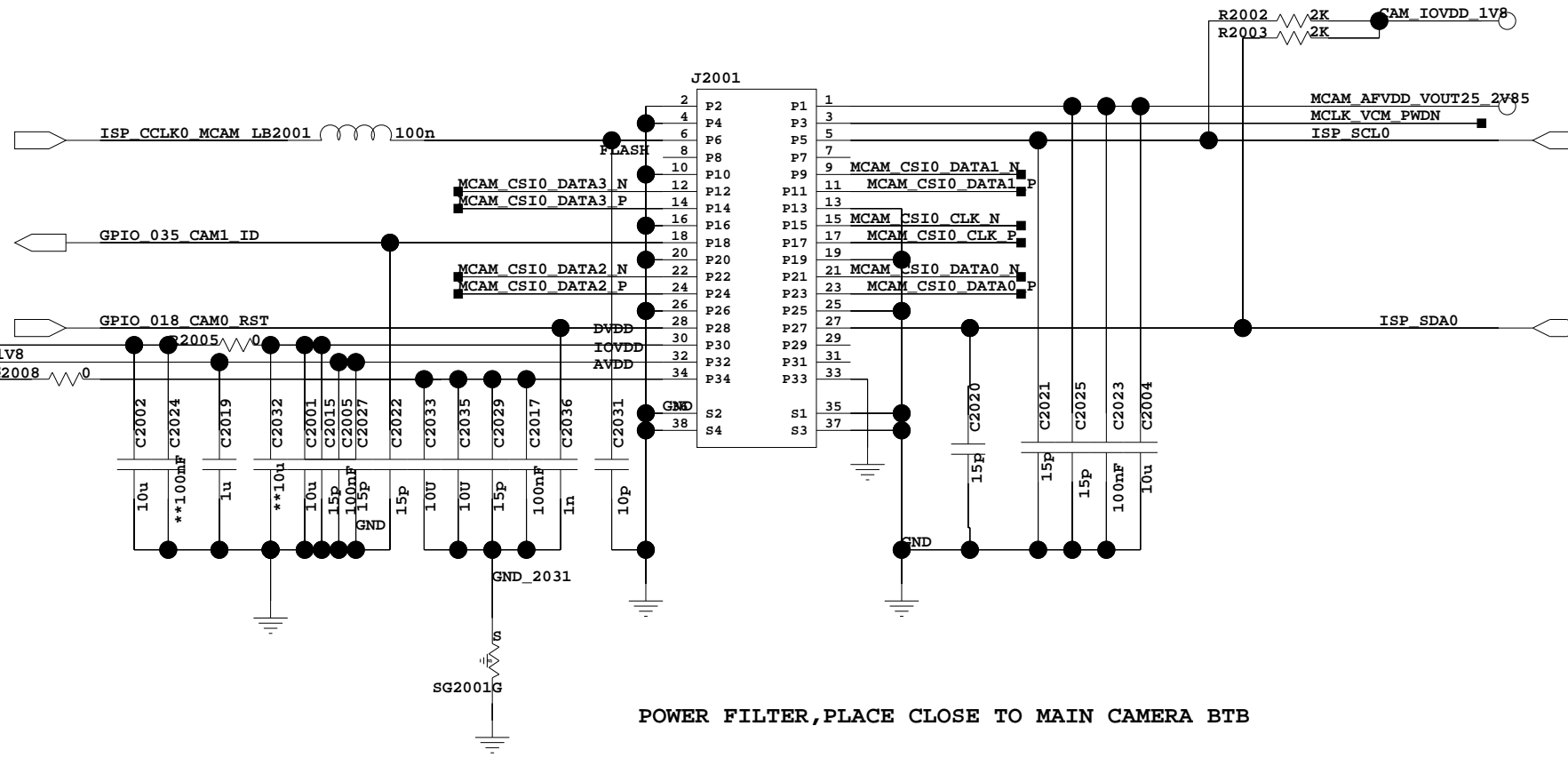
D

The type and specification of the components refer to the BOM

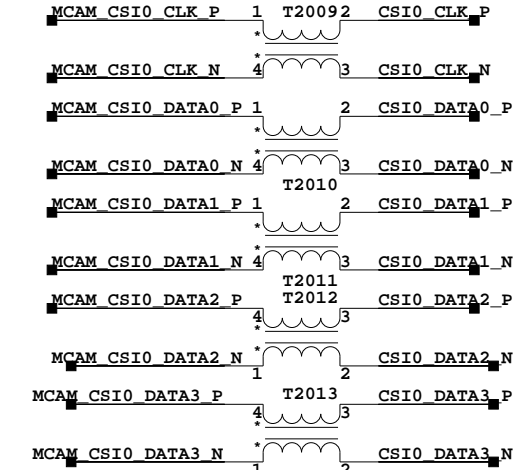
				NA	20150906
				ECA NO	DATE
DESIGNED	HUJIAFU/00238513	SH0M3801LM			
REVIEWED	YANXUXING/00166792				
		VER	PART_NUMBER	SHEET 19 Flash LED	
		A	0302****	HUAWEI TECH CO.,LTD.	

20. Camera

MAIN CAM:23060198

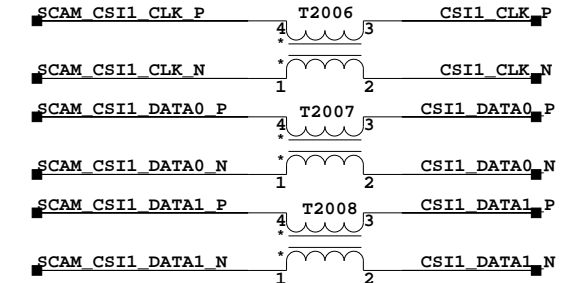
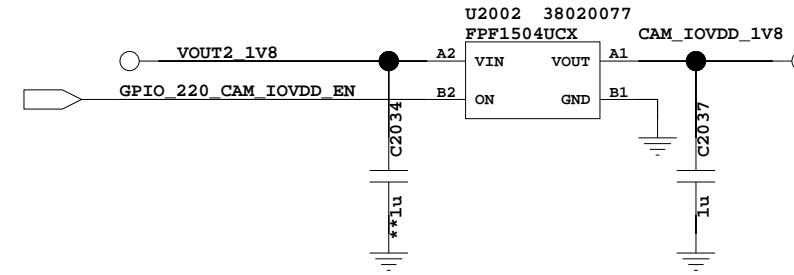
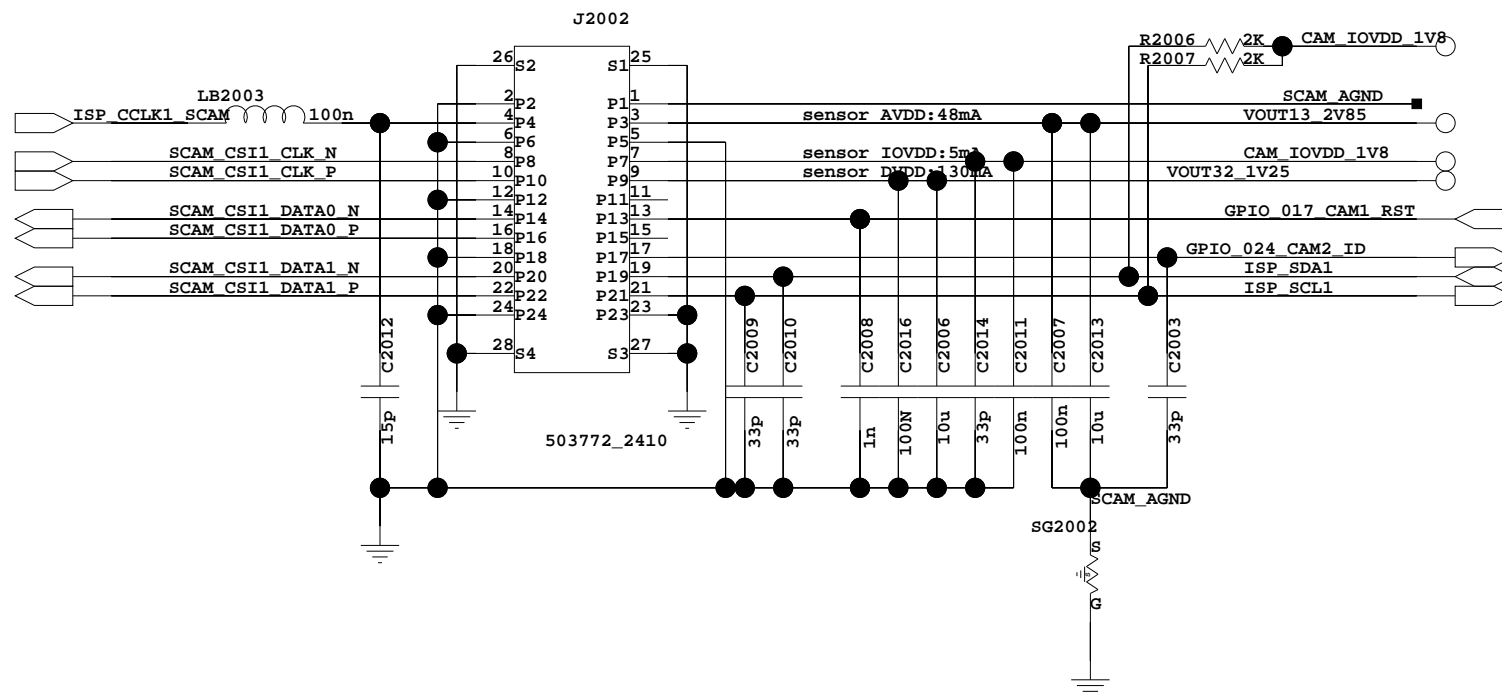


POWER FILTER, PLACE CLOSE TO MAIN CAMERA BTB



SLAVE CAMERA 23060200

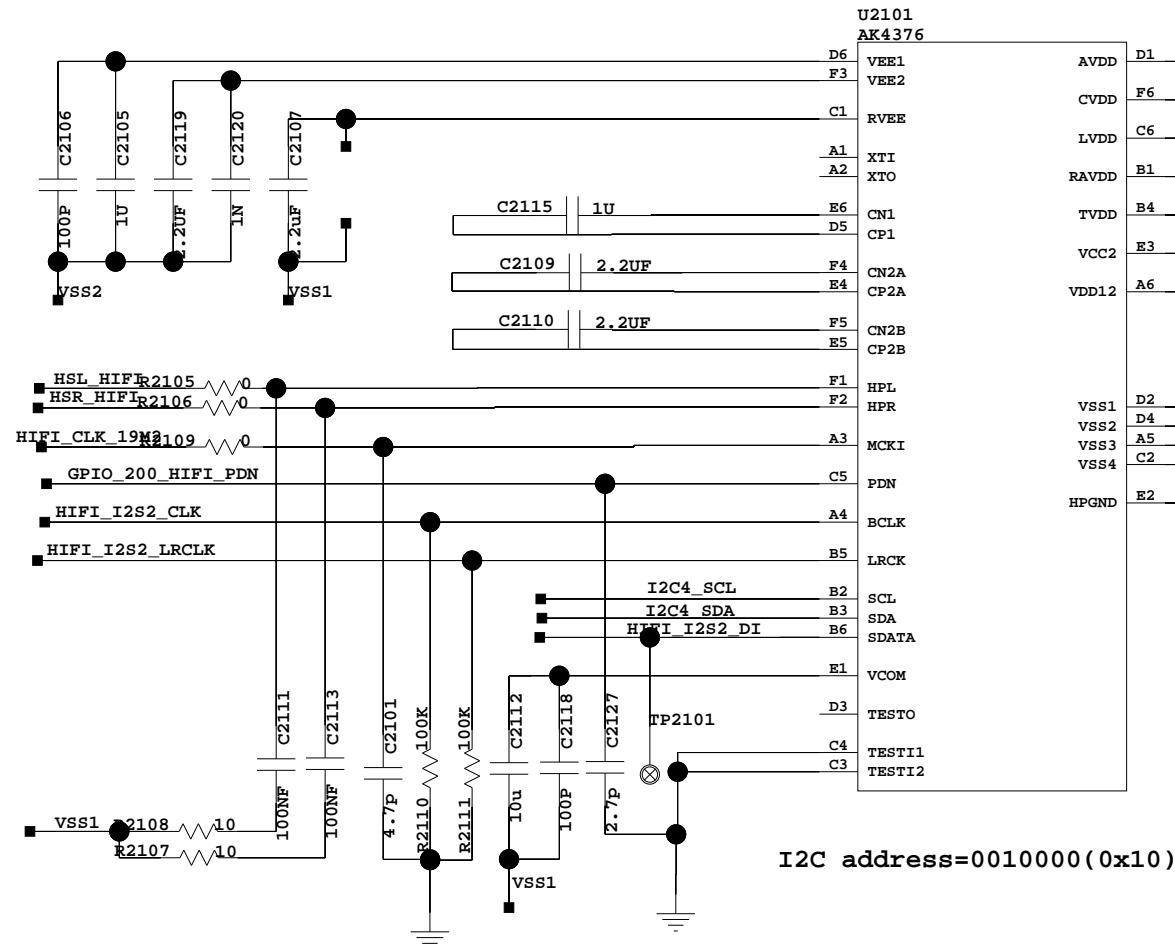
I2C address=0100000(0x20)



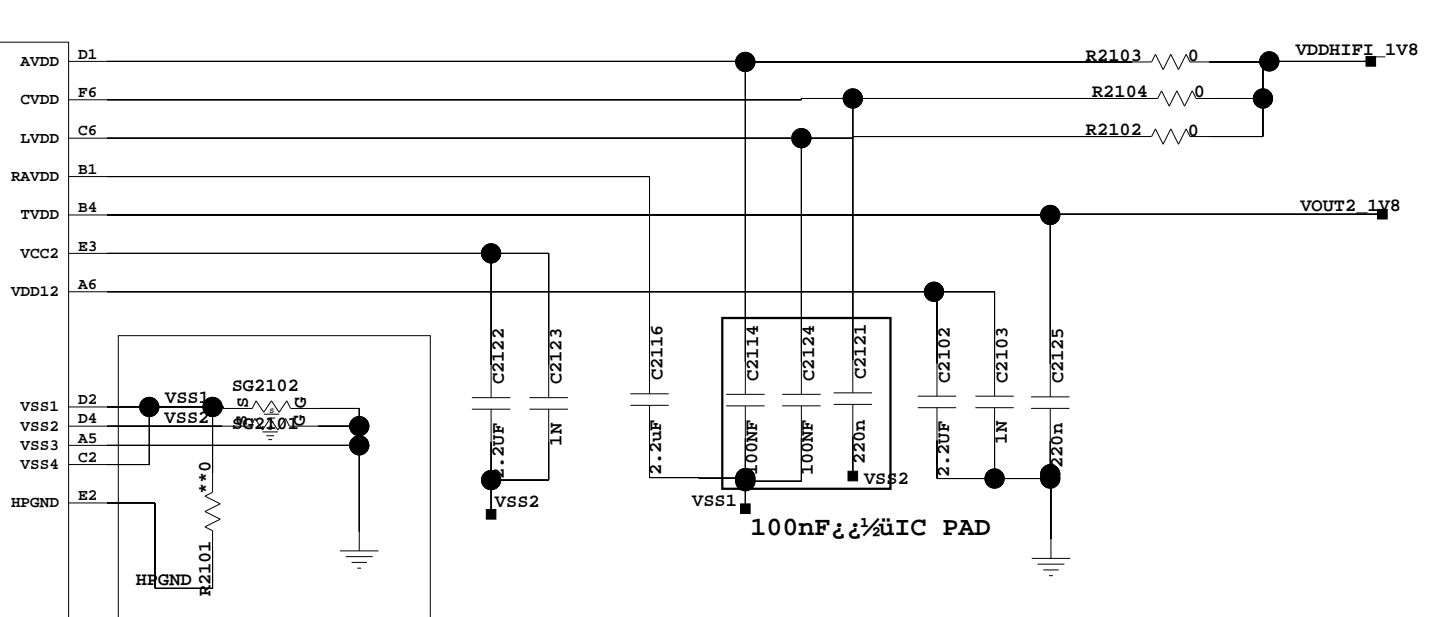
The type and specification of the components refer to the BOM

				NA	20150906
				ECA NO	DATE
DESIGNED	HUJIAFU/00238513	SH0M3801LM			
REVIEWED	YANXUXING/00166792				
		VER	PART_NUMBER	SHEET 20 Camera58	
		A	0302****	HUAWEI TECH CO.,LTD.	

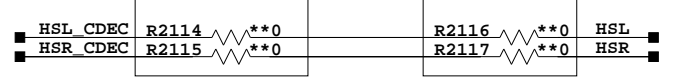
21. HIFI



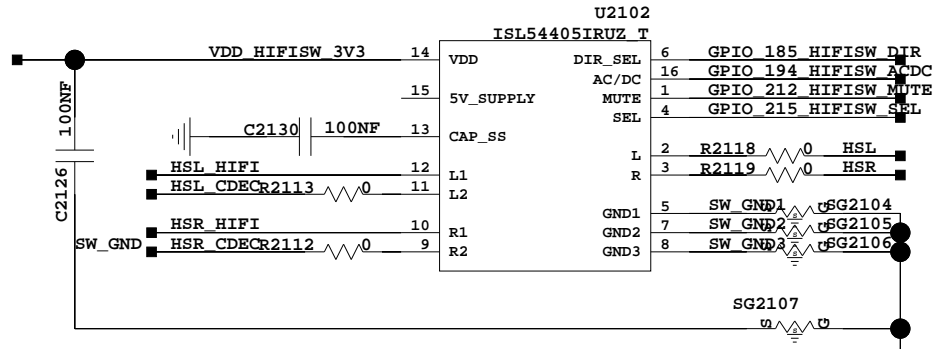
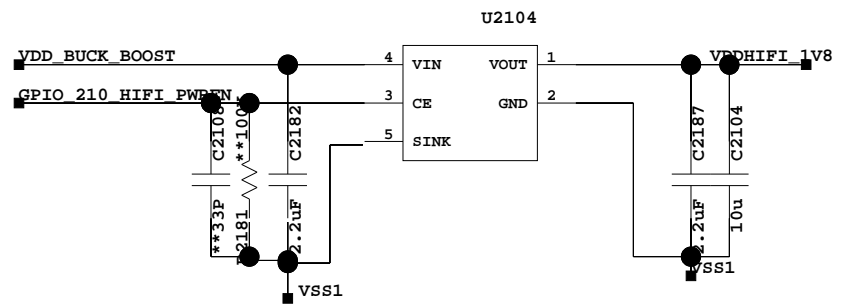
I2C address=0010000(0x10)



PCBlayout attention:
 1>EÛ0DVSS1 í0ÂçDè0³%0µ%1.8V LDOÈâ³òµÄ10uFf" C2186f© GNDÔÛ"lâµãïÄÖ+GNDf»
 2>EÛ0DVSS2 í0Âçí"¹ÿVSS2¹Û%Äf"D4f©ÖÛïÄÖ+GNDf»
 3>VSS3 í0Âç%í%üÖ+1%ÖïÄÖ+GNDf»



Share PAD with R2113/R2112 Share PAD with R2118/R2119

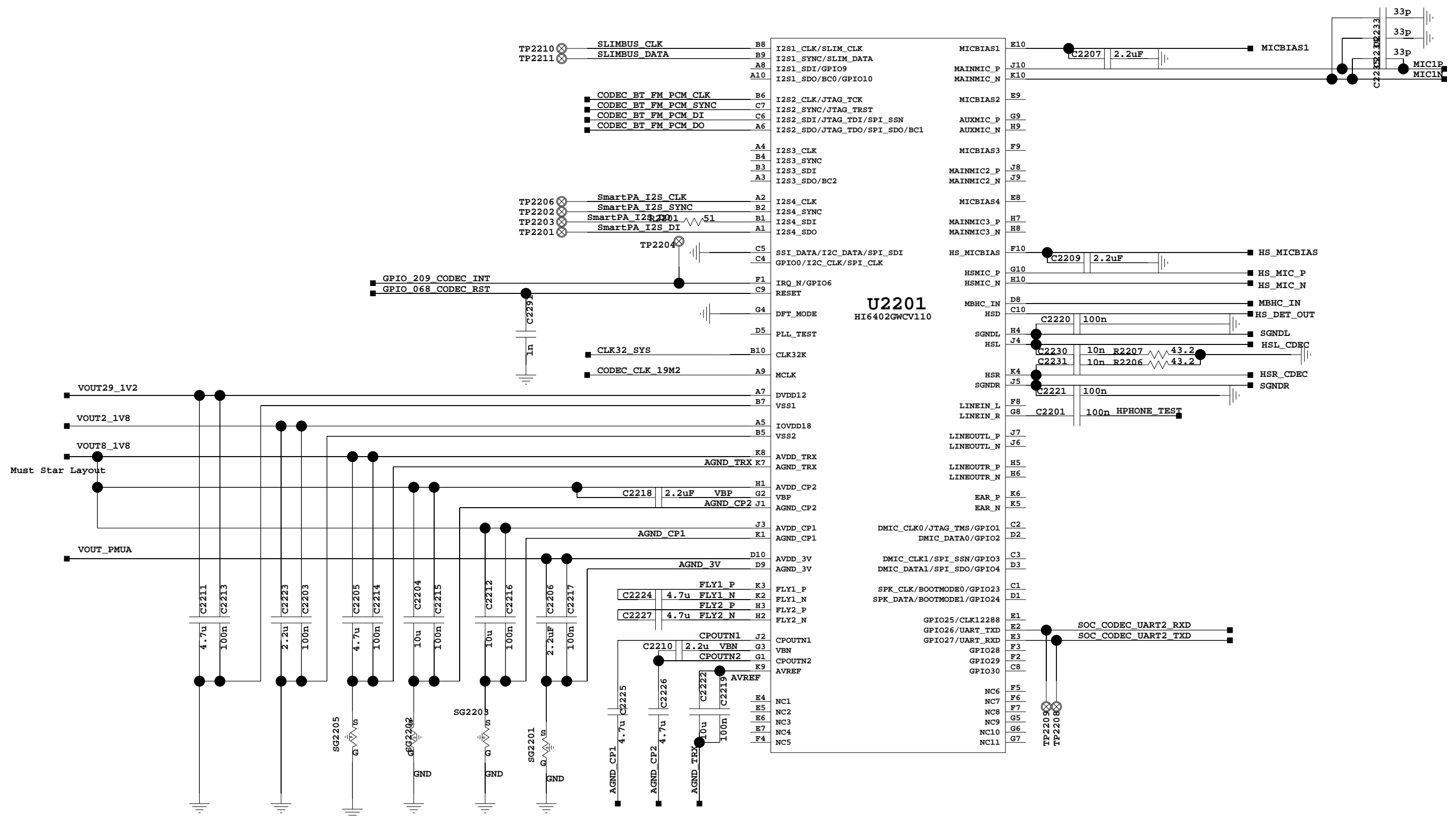


PCBlayout attention:
 SW_GND\SW_GND1\SW_GND2\SW_GND3ÐÇÐí×ßÛ

The type and specification of the components refer to the BOM

				18-05-2016_10:57
			NA	20150906
			ECA NO	DATE
DESIGNED	ZHANGDAWEI/00221688	SHL1EdisonAM		
REVIEWED	YANGYONGXIANG/00171286			
		VER	PART_NUMBER	SHEET 21 ISF 60
		B	0302****	HUAWEI TECH CO.,LTD.

22. CODEC HI6402



The type and specification of the components refer to the BOM

BootMode0	BootModel	Function(BootROM Start)
1	1	SPI Start
1	0	SSI Start
0	1	I2C Start
0	0	SLIMBUS Start

DESIGNED	HUJIAFU/00238513	SH0M3801LM	NA	20150906
REVIEWED	YANXUXING/00166792		ECA NO	DATE
		VER	PART_NUMBER	SHEET 22 CODEC HI6402
		A	0302****	HUAWEI TECH CO.,LTD.

23. MIC

A

A

B

B

C

C

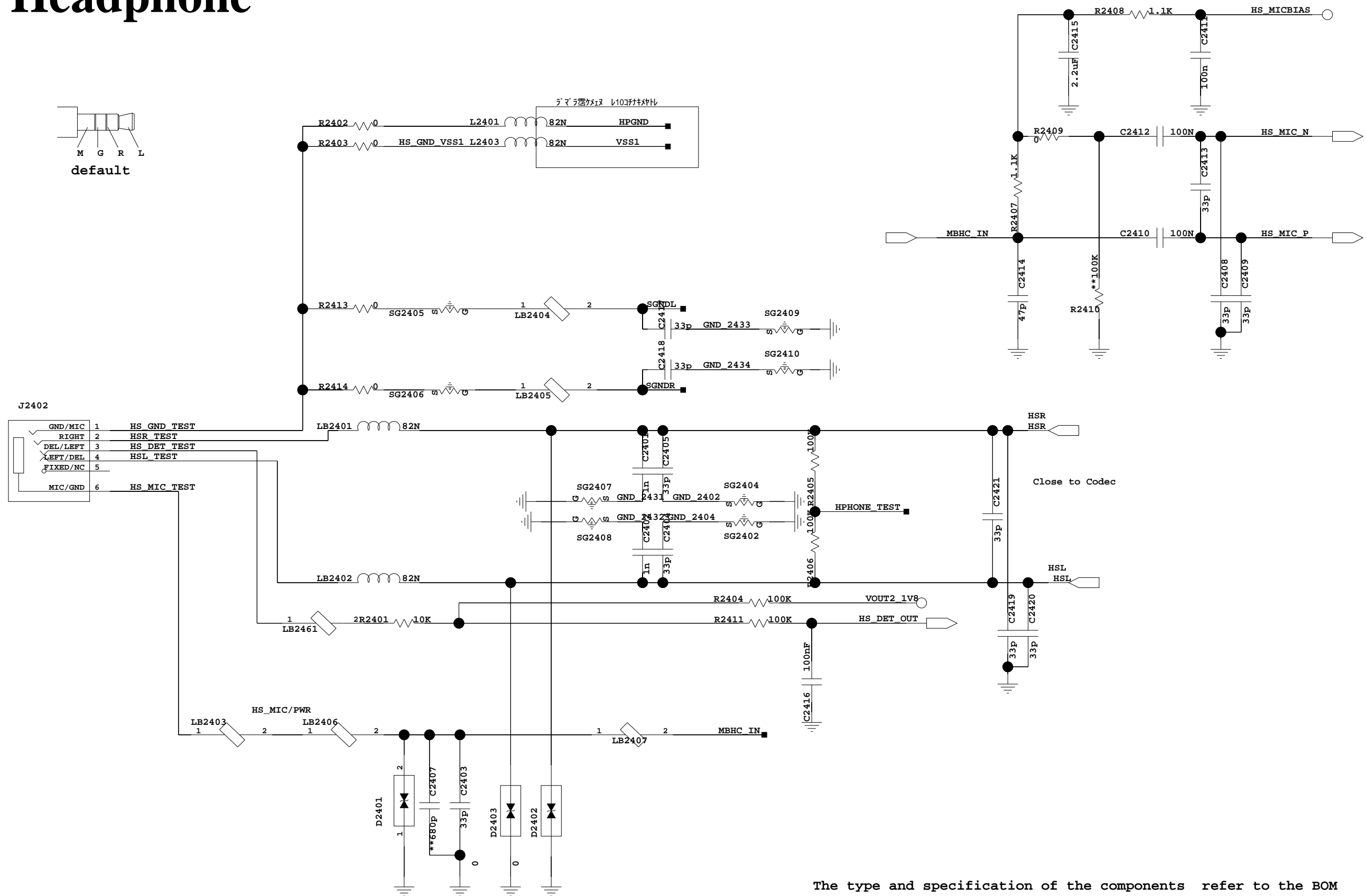
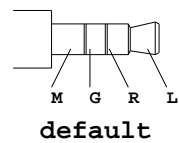
D

D

The type and specification of the components refer to the BOM

				NA	20150906
				ECA NO	DATE
DESIGNED	HUJIAFU/00238513	SH0M3801LM			
REVIEWED	YANXUXING/00166792				
		VER	PART_NUMBER	SHEET 23 MDG ANB8RCV AND SPI	
		A	0302****	HUAWEI TECH CO.,LTD.	

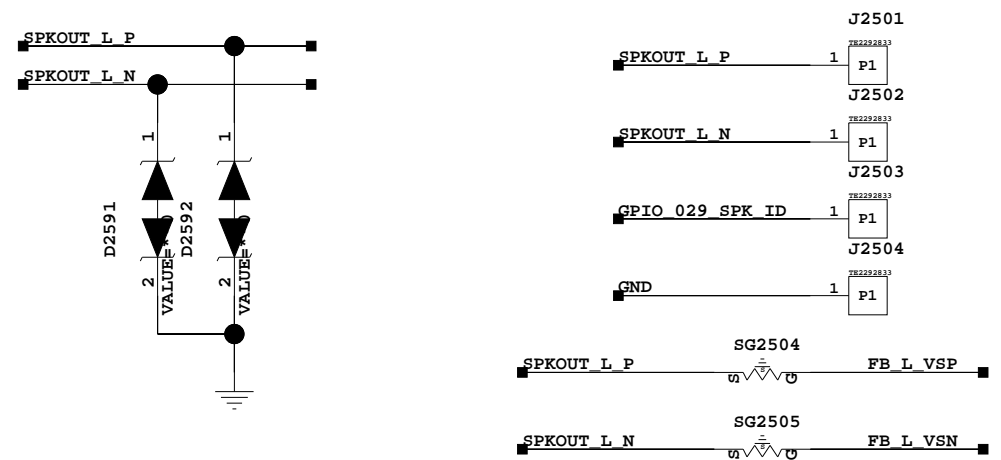
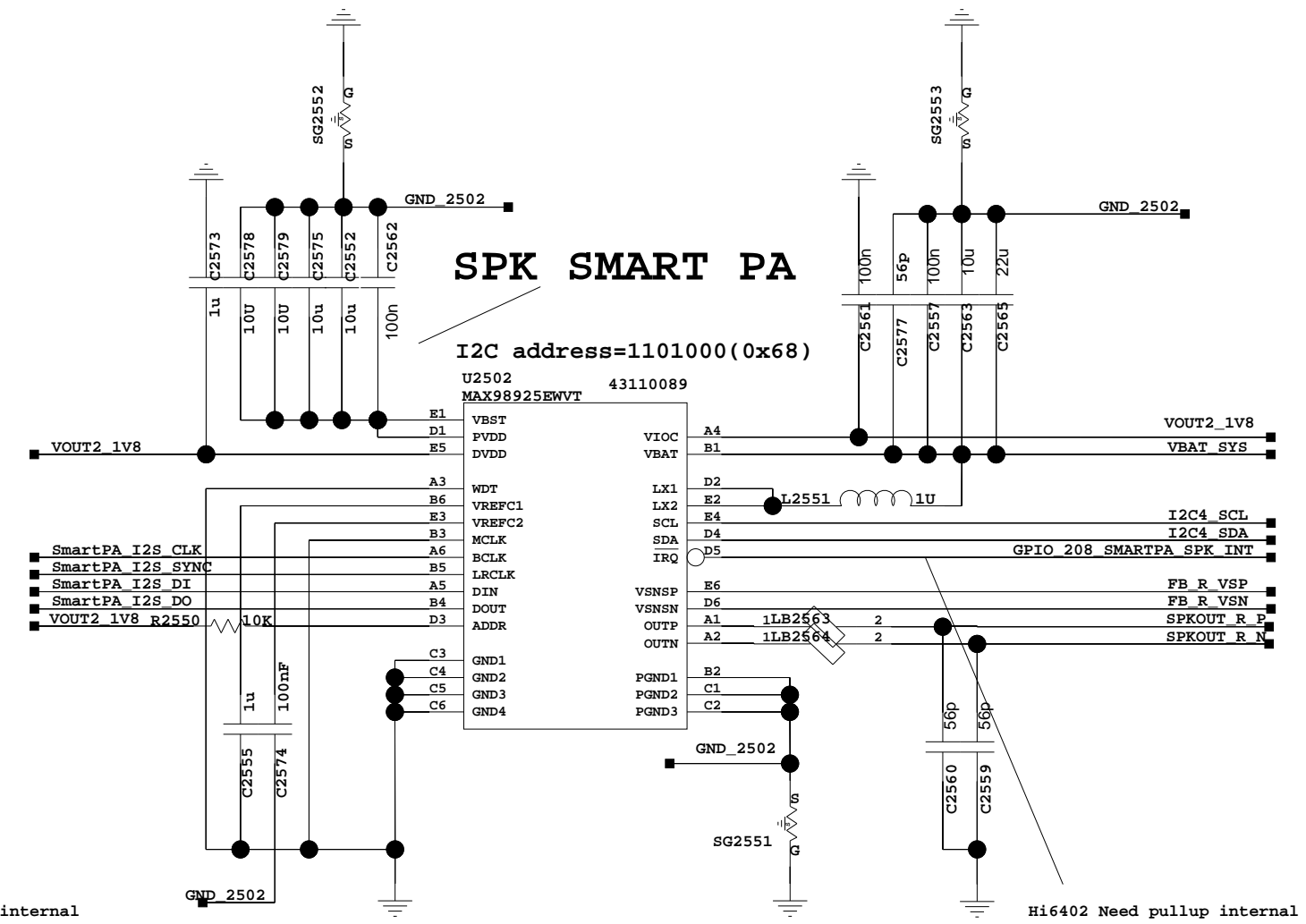
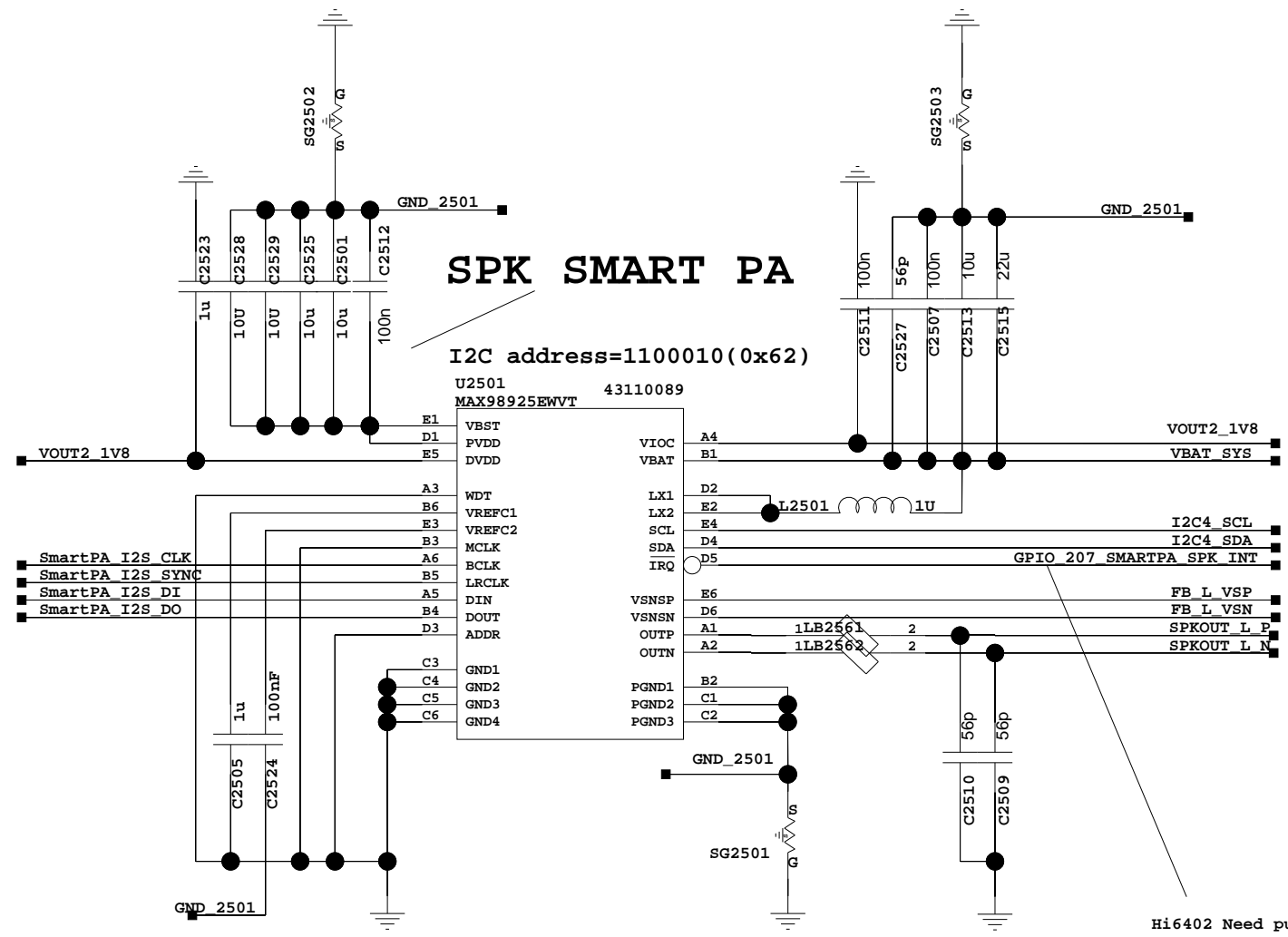
24. Headphone



The type and specification of the components refer to the BOM

				NA	20150906
				ECA NO	DATE
DESIGNED	HUJIAFU/00238513	SH0M3801LM			
REVIEWED	YANXUXING/00166792				
		VER	PART_NUMBER	SHEET 24 Headph5e	
		A	0302****	HUAWEI TECH CO.,LTD.	

25. Audio



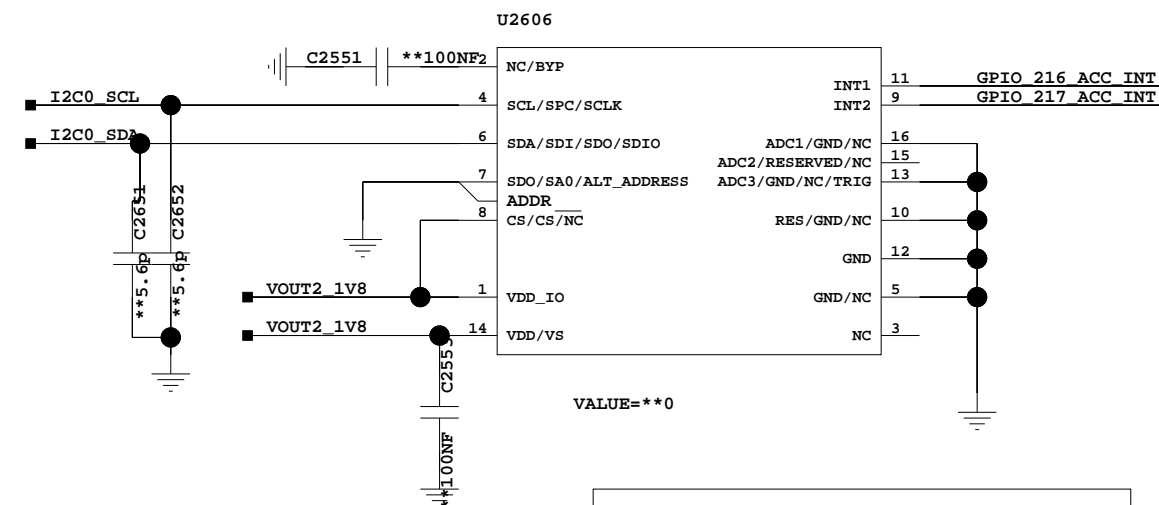
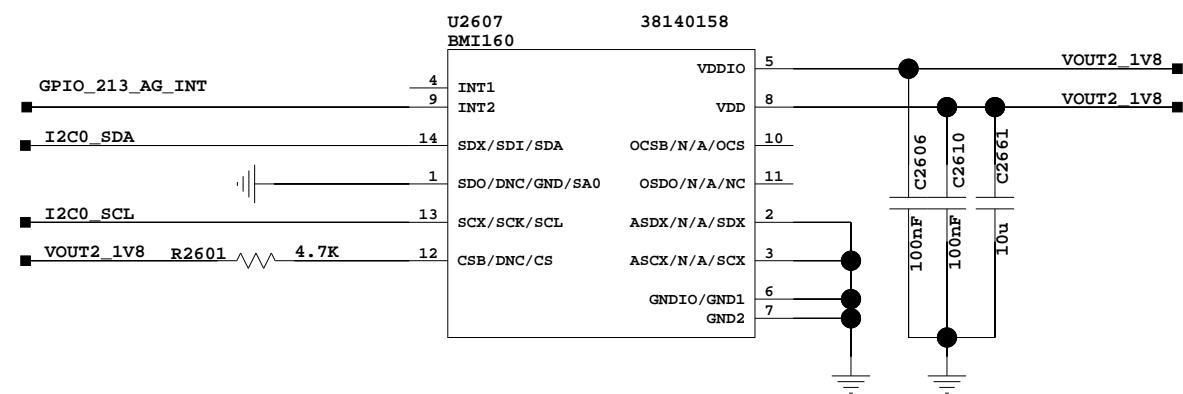
The type and specification of the components refer to the BOM

				12-05-2016_17:44
				20150906
			ECA NO	DATE
DESIGNED	HUJIAFU/00238513	SH0M3801LM		
REVIEWED	YANXUXING/00166792			
		VER	PART_NUMBER	SHEET 25 of 58
			0302****	HUAWEI TECH CO.,LTD.

26. X-Sensor

Accelerometer and Gyroscope 6-AXIS SENSOR

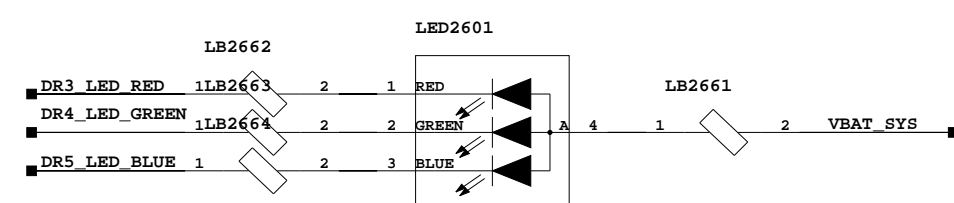
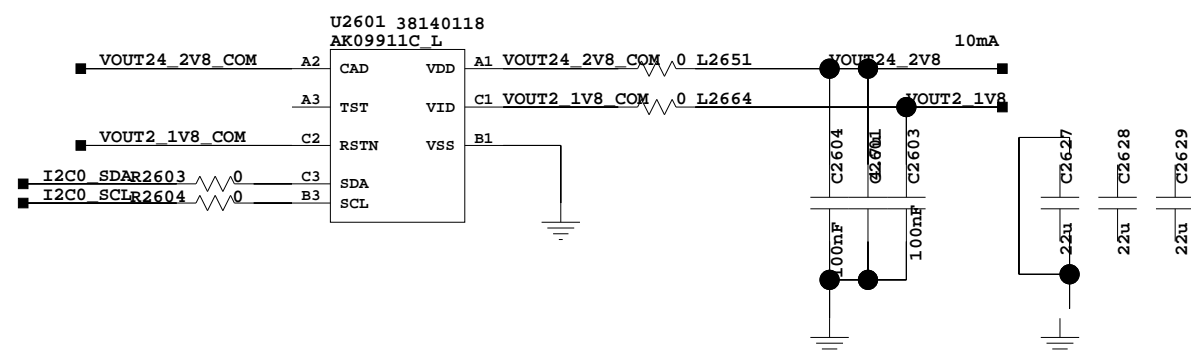
SDO=1 ADDRESS=0X6B(ST)/0X69(BOSCH)
 SDO=0 ADDRESS=0X6A(ST)/0X68(BOSCH)



I2C Address:
 0x30(W)/0x31(R)
 0x3C(W)/0x3D(R)

Compass

I2C Address=0001101(0x0D)

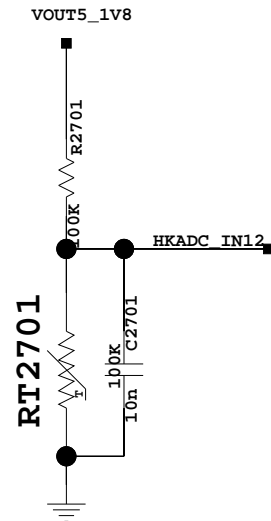


The type and specification of the components refer to the BOM

				2012-09-20
			NA	20150906
			ECA NO	DATE
DESIGNED	HUJIAFU/00238513	SH0M3801LM		
REVIEWED	YANXUXING/00166792			
		VER	PART_NUMBER	SHEET 26 Xsens58
		A	0302****	HUAWEI TECH CO.,LTD.

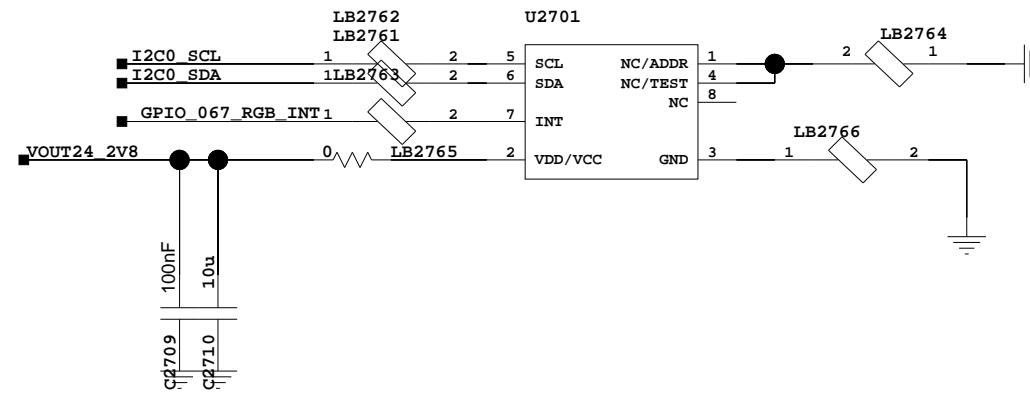
27. X-Sensor

Hot Area TMP sensor



AP & Charg IC TEMP

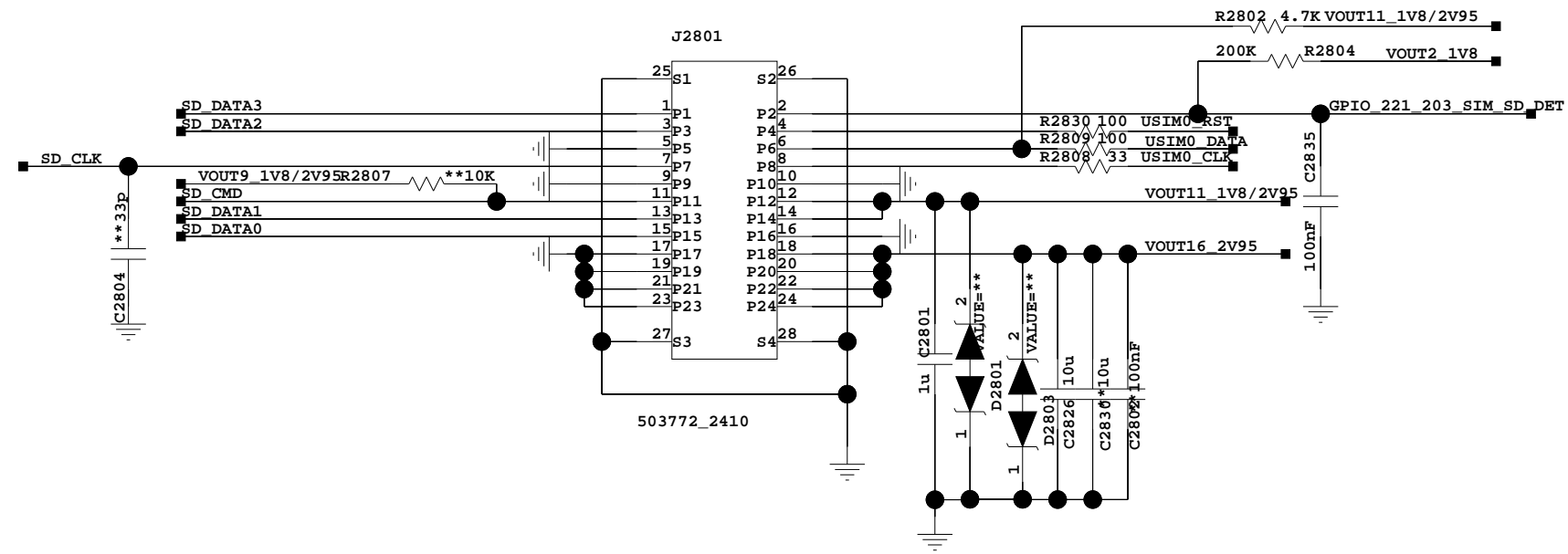
Ambient Light
RGB I2C Address=(0x38)



The type and specification of the components refer to the BOM

				NA	20150906
				ECA NO	DATE
DESIGNED	HUJIAFU/00238513	SH0M3801LM			
REVIEWED	YANXUXING/00166792				
		VER	PART_NUMBER	SHEET 27 Xens582	
		A	0302****	HUAWEI TECH CO.,LTD.	

28.SIM/uSD Card

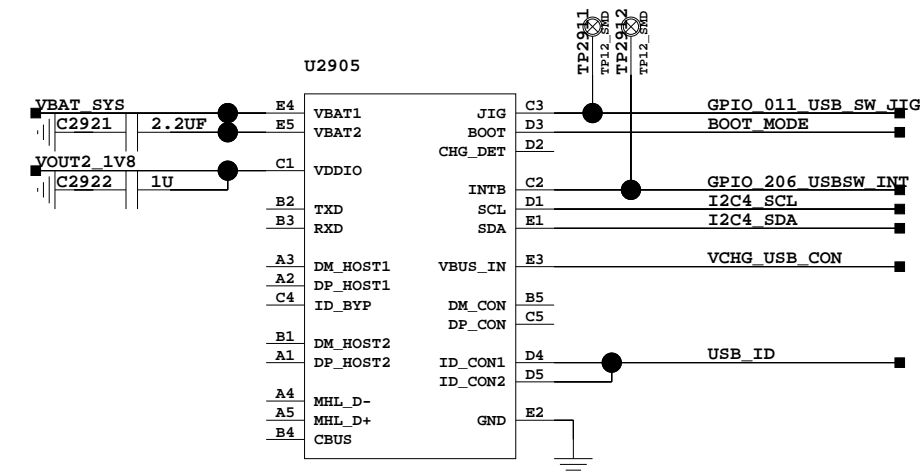
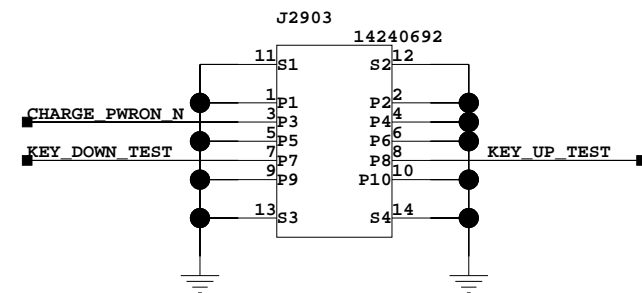
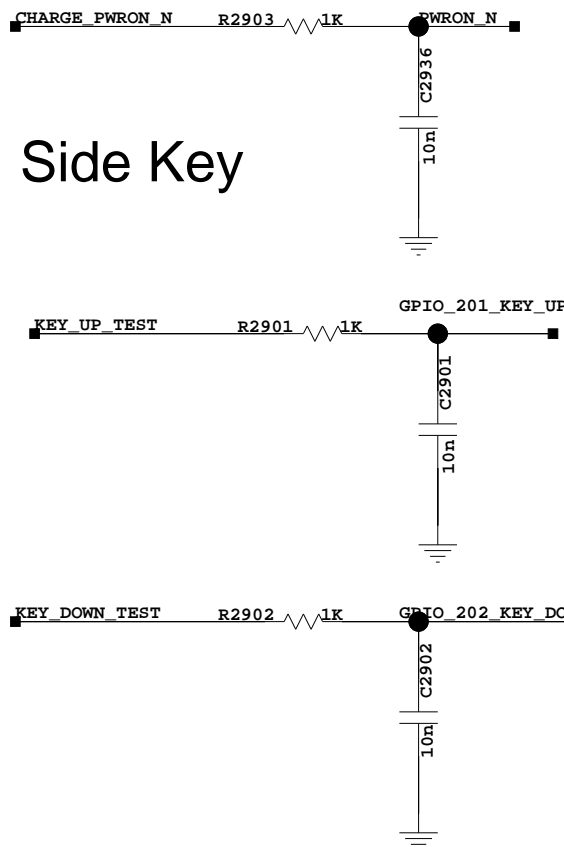
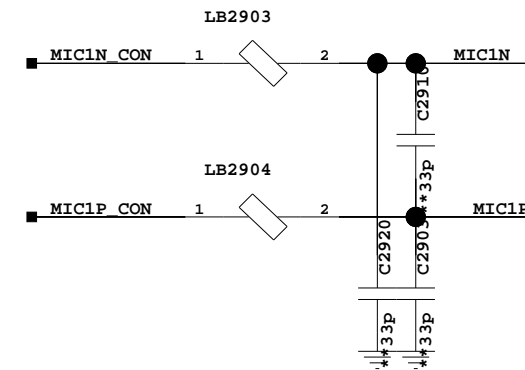
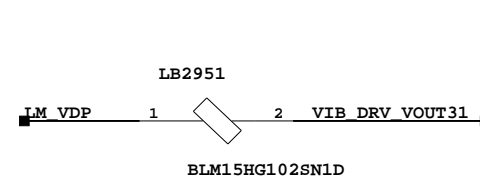
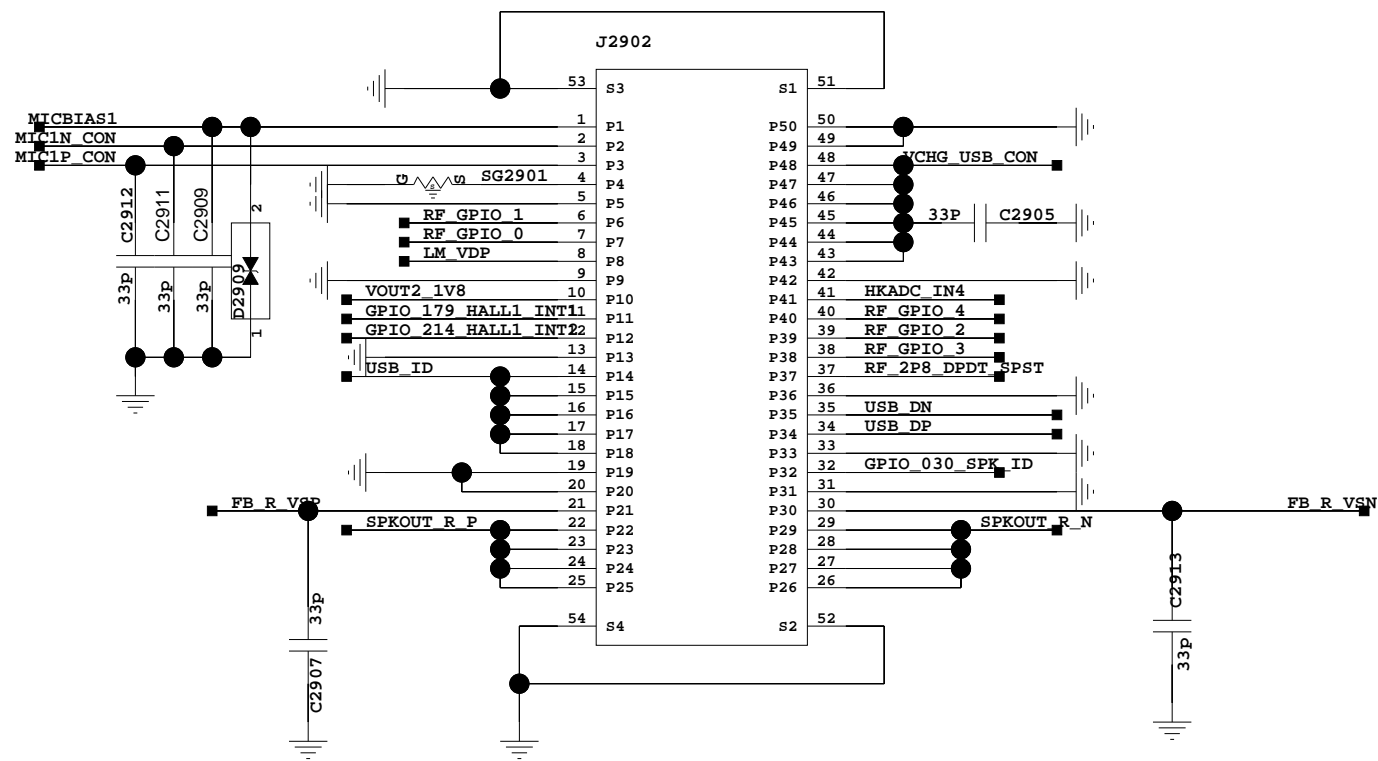


The type and specification of the components refer to the BOM

	SIM1_VCC	SVDD_1V8	VOUT12_1V8/2V95
HI6402_GPIO_3			
H			○
L		○	

DESIGNED	HUJIAFU/00238513	SH0M3801LM		ECA NO	NA 20150906
REVIEWED	YANXUXING/00166792			DATE	
		VER	PART_NUMBER	SHEET	OF 28 SIM AND SD C
			A 0302****	HUAWEI TECH CO.,LTD.	

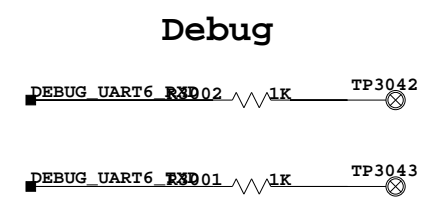
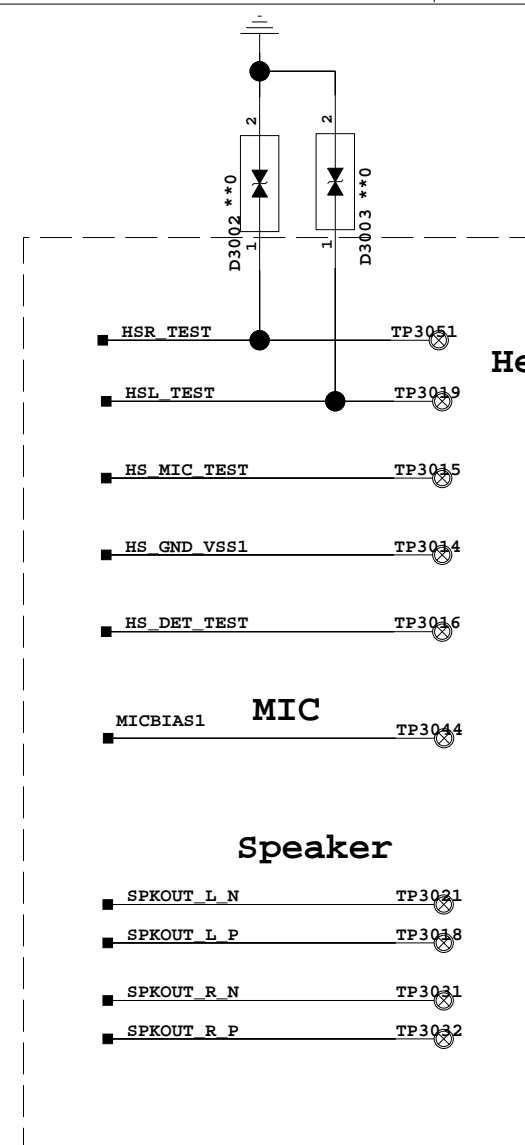
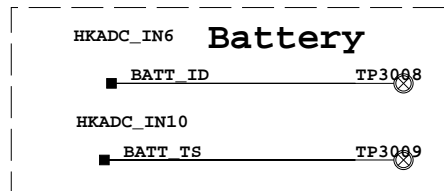
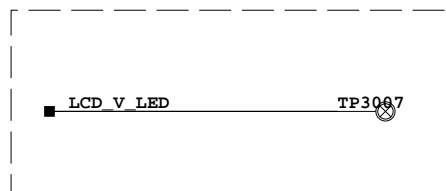
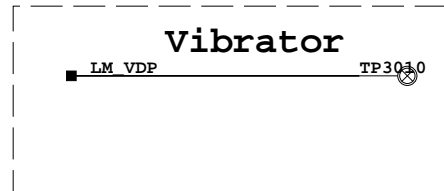
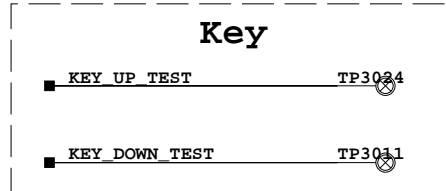
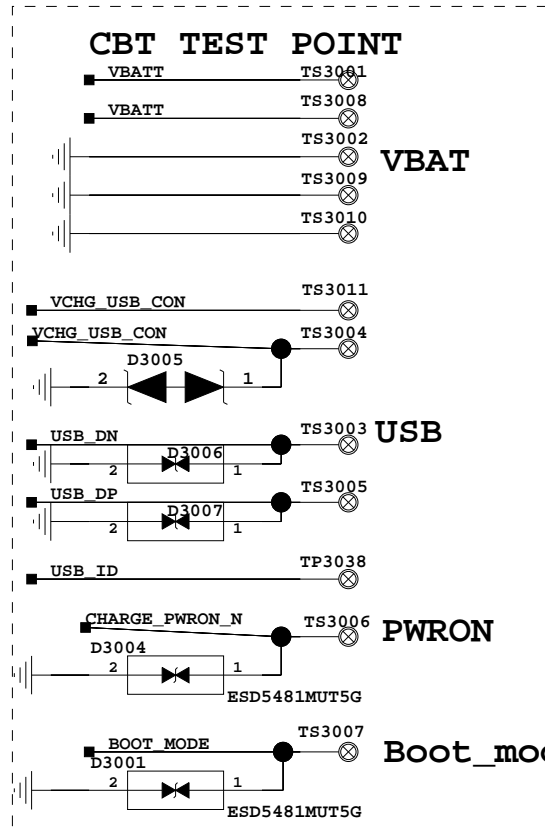
29.FPC Interface



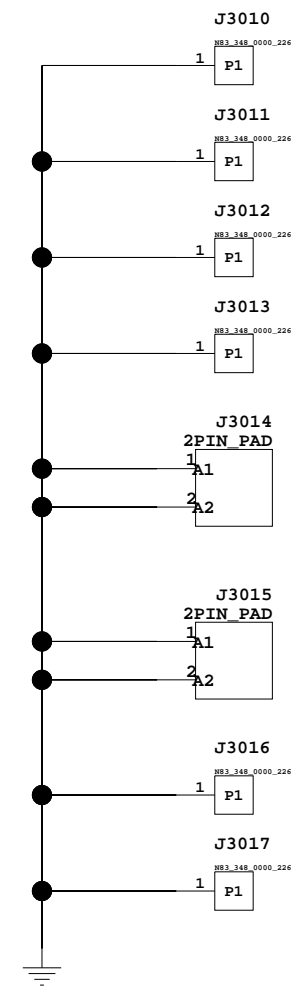
The type and specification of the components refer to the BOM

				09-05-2016_16:43
				20150906
			ECA NO	DATE
DESIGNED	HUJIAFU/00238513	SH0M3801LM		
REVIEWED	YANXUXING/00166792			
		VER	PART_NUMBER	SHEET 29 FPC Interface
			0302****	HUAWEI TECH CO.,LTD.

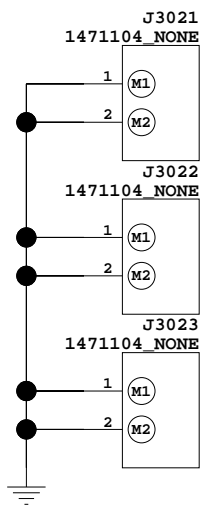
30. Test Points/Shields



Shield



YAPIAN



The type and specification of the components refer to the BOM

				06-05-2016_11:20
				20150906
			ECA NO	DATE
DESIGNED	HUJIAFU/00238513	SHOM3801LM		
REVIEWED	YANXUXING/00166792			
		VER	PART_NUMBER	SHEET 30 Test Points and Sh.
			0302****	HUAWEI TECH CO.,LTD.

31.RF Interface

need connect to 60pin connector

RF_GPIO_0

RF_GPIO_1

RF_GPIO_2

RF_GPIO_3

RF_2P8_DPDT_SPST

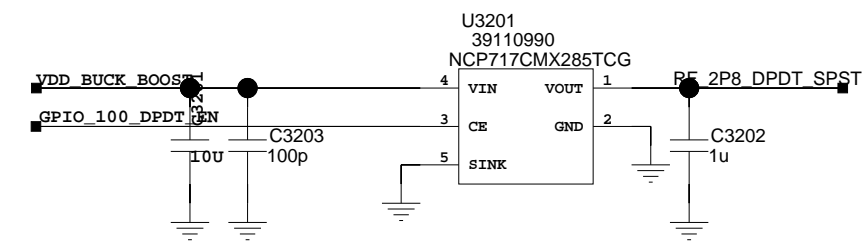
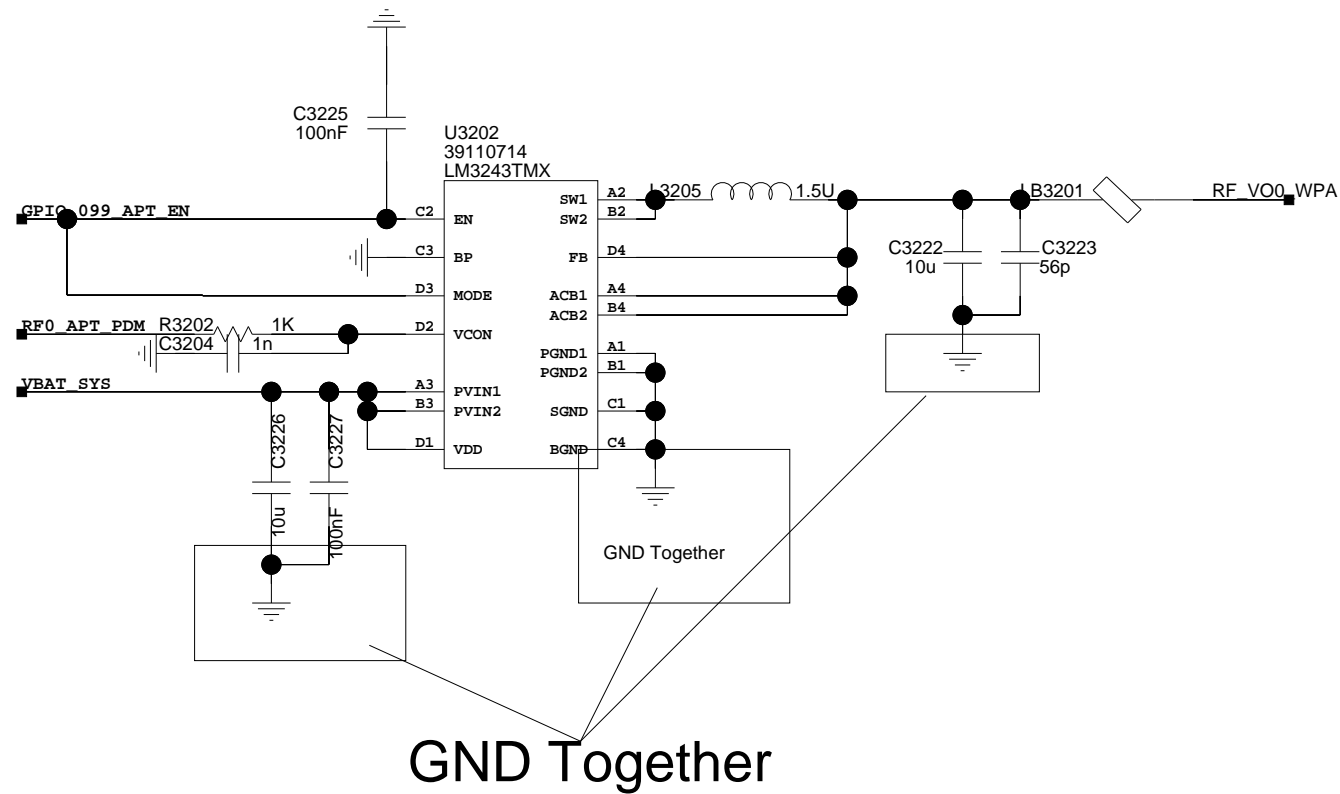
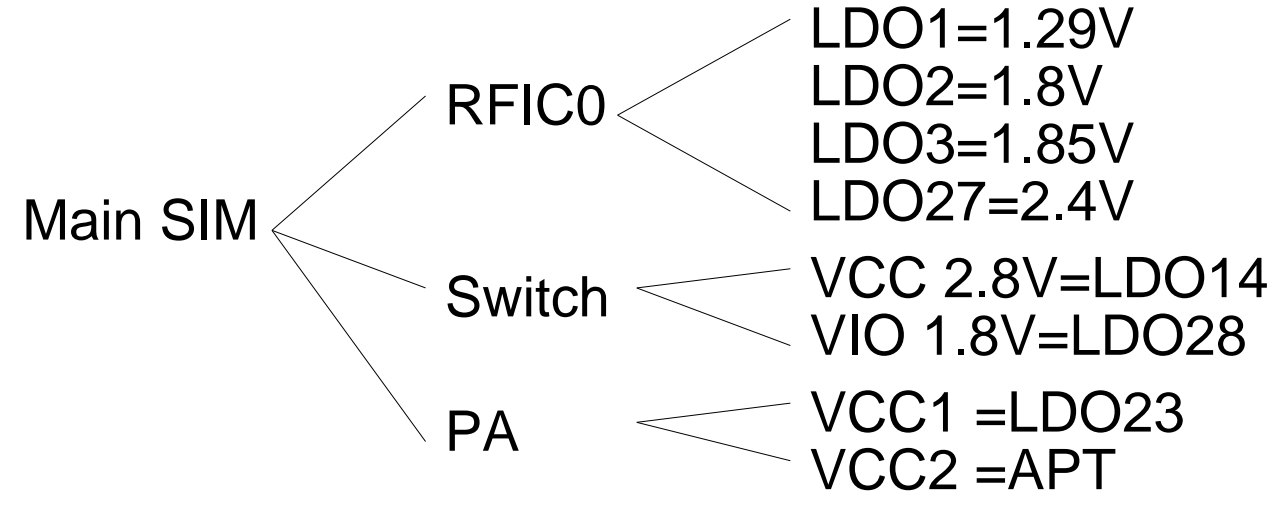
need connect to GPIO

- | | |
|------------------------|-----------------------|
| GPIO_099_APT_EN | RF_GPIO_13 |
| GPIO_100_DPDT_EN | RF_GPIO_14 |
| RF0_RFIC_SSIGPIO_096 | RF_GPIO_15 |
| RF0_RFIC_RESEGPIO_095 | RF_GPIO_16 |
| RF0_RFIC_TCVGPIO_097 | RF_GPIO_12 |
| GPIO_199_ANT_DET_0 | LTE_INACT/COE_UART_TX |
| GPIO_222_BT_WAKEUP_SOC | |
| SOC_UART3_RTSGPIO_071 | |
| SOC_UART3_CTSGPIO_072 | |
| SOC_UART3_TXGPIO_074 | |
| SOC_UART3_RXGPIO_073 | |
| WLAN_BT_PRIORGPIO_092 | |
| LTE_RX_ACTIVEGPIO_090 | |
| GNSS_REF_CLKGPIO_016 | |
| LTE_TX_ACTIVEGPIO_091 | |
| GPIO_001_H1102_PWRON | |
| GPIO_186_WL_WAKEUP_SOC | |
| WL_SDIO_CLK GPIO_061 | |
| WL_SDIO_CMD GPIO_062 | |
| WL_SDIO_DATAGPIO_063 | |
| WL_SDIO_DATAGPIO_064 | |
| WL_SDIO_DATAGPIO_065 | |
| WL_SDIO_DATAGPIO_066 | |

The type and specification of the components refer to the BOM

					31-03-2016_10:18
					20150906
				ECA NO	DATE
DESIGNED	ZHANGDAWEI/00221688	SHL1EdisonAM			
REVIEWED	YANGYONGXIANG/00171286				
		VER	PART_NUMBER	SHEET 31 R0FInt60face	
			0302****	HUAWEI TECH CO.,LTD.	

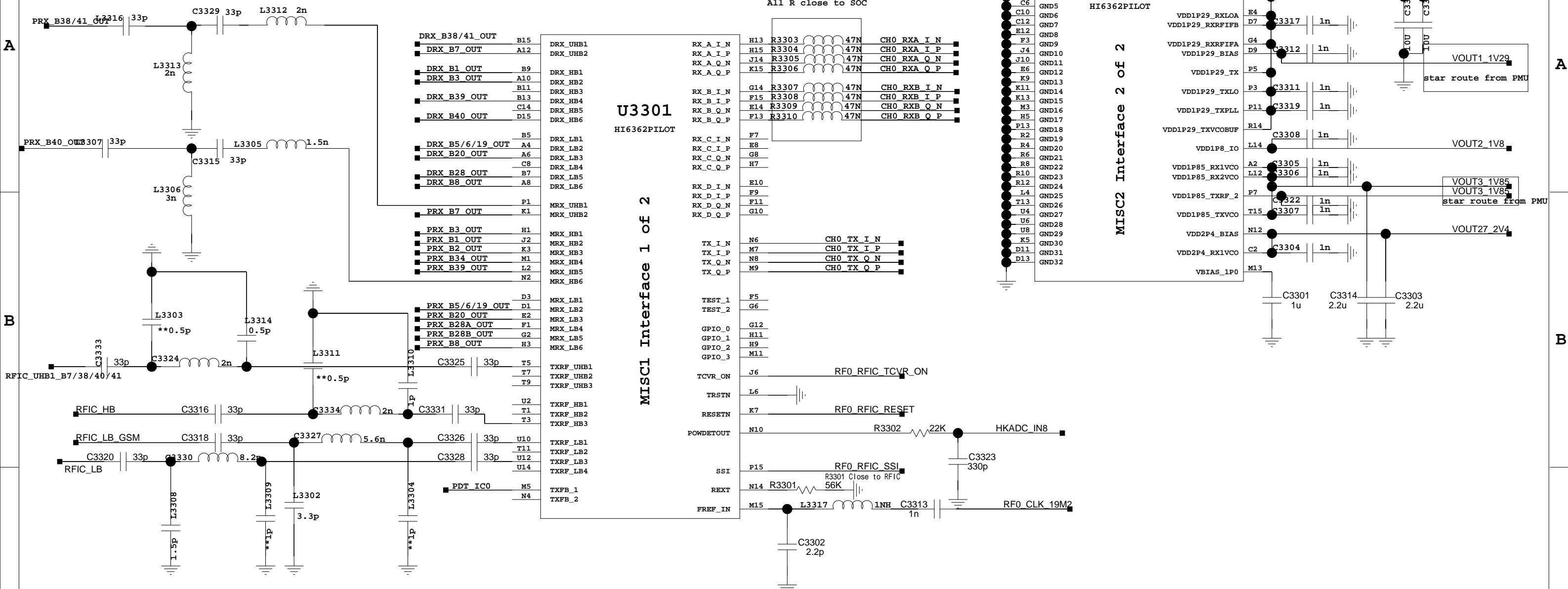
32.APT Power



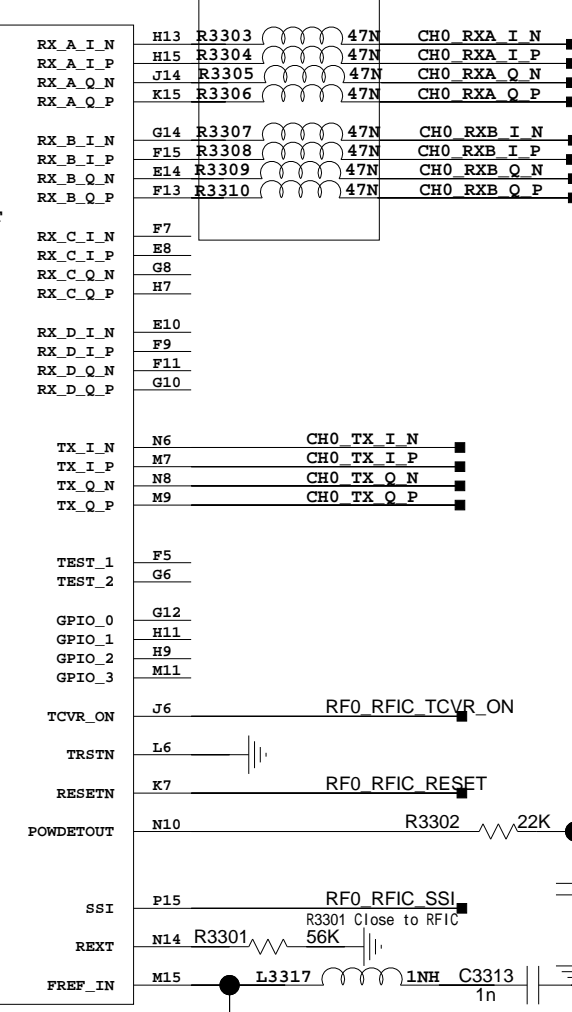
The type and specification of the components refer to the BOM

				12-05-2016_17:41
			NA	20150906
			ECA NO	DATE
DESIGNED	ZHANGDAWEI/00221688	SHL1EdisonAM		00001234
REVIEWED	YANGYONGXIANG/00171286			
		VER	PART_NUMBER	SHEET 32 APT Power
			0302****	HUAWEI TECH CO.,LTD.

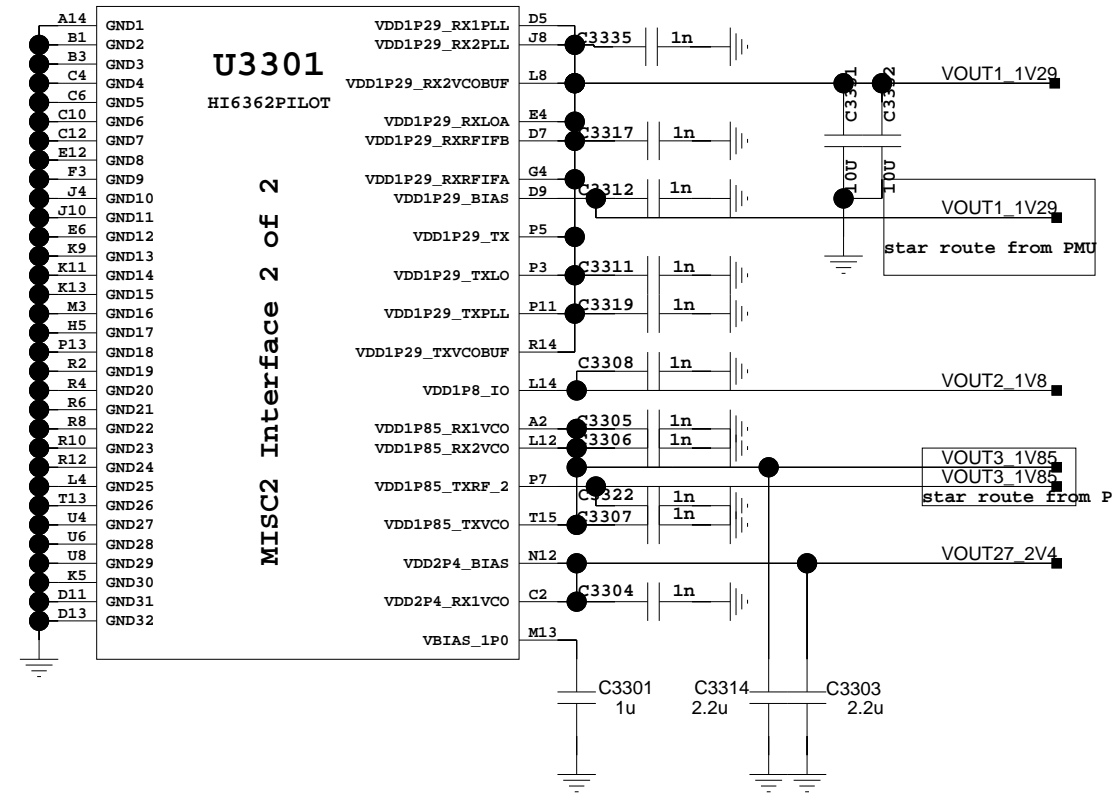
33.RF Transceiver_0



MISC1 Interface 1 of 2



MISC2 Interface 2 of 2

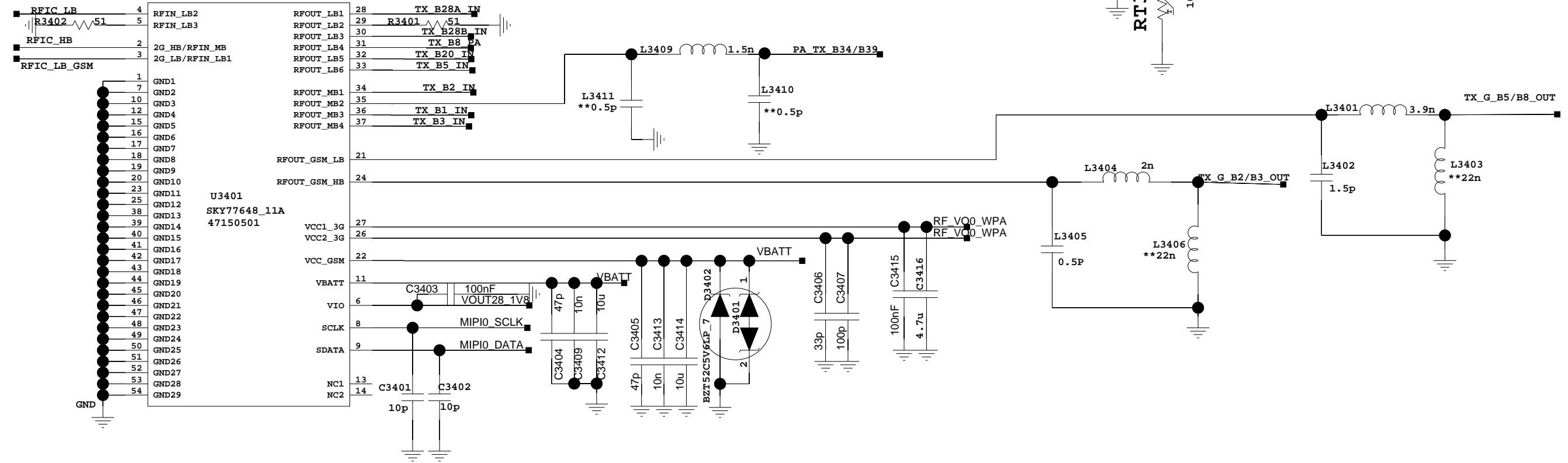


The type and specification of the components refer to the BOM

				08-06-2016_10:28
			NA	20150906
			ECA NO	DATE
DESIGNED	ZHANGDAWEI/00221688	SHL1EdisonAM		
REVIEWED	YANGYONGXIANG/00171286			
		VER	PART_NUMBER	SHEET 33 R0FTra#sceiver_0
			0302****	HUAWEI TECH CO.,LTD.

34.RF Front End MMMBPA

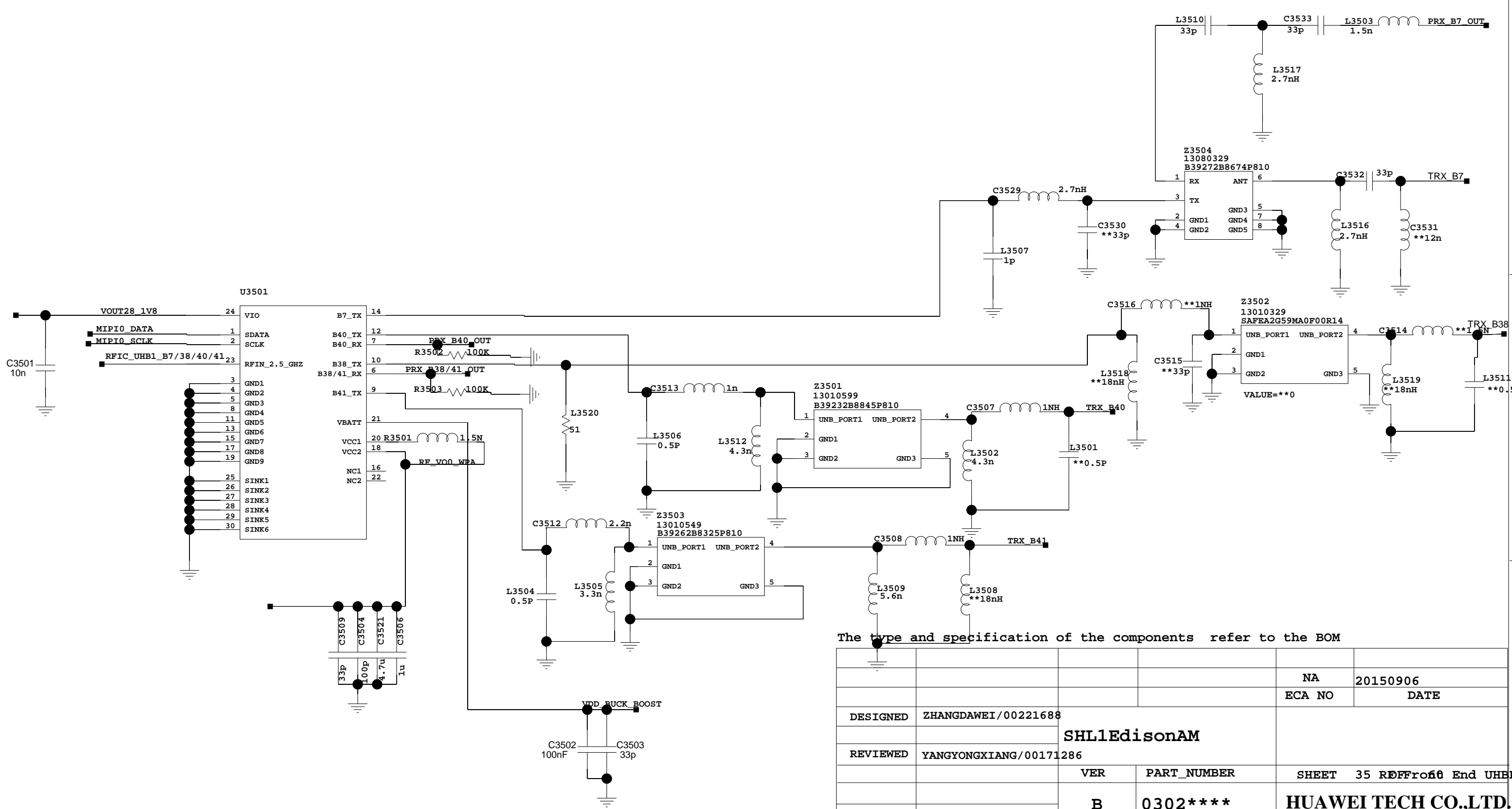
Band	input_pin	output_pin
B1	pin2	pin36
B2	pin2	pin34
B3	pin2	pin37
B34	pin2	pin35
B39	pin2	pin35
G1800	pin2	pin24
G1900	pin2	pin24
B5/B6/B19	pin3	pin33
B8	pin3	pin31
B20	pin3	pin32
G850	pin3	pin21
G900	pin3	pin21
B28A	pin4	pin28
B28B	pin4	pin30



The type and specification of the components refer to the BOM

				NA	20150906
				ECA NO	DATE
DESIGNED	ZHANGDAWEI/00221688	SHL1EdisonAM		03022RLA_SCHZH	
REVIEWED	YANGYONGXIANG/00171286				
		VER	PART_NUMBER	SHEET 34 R0FFront End MMBPA	
		B	0302****	HUAWEI TECH CO.,LTD.	

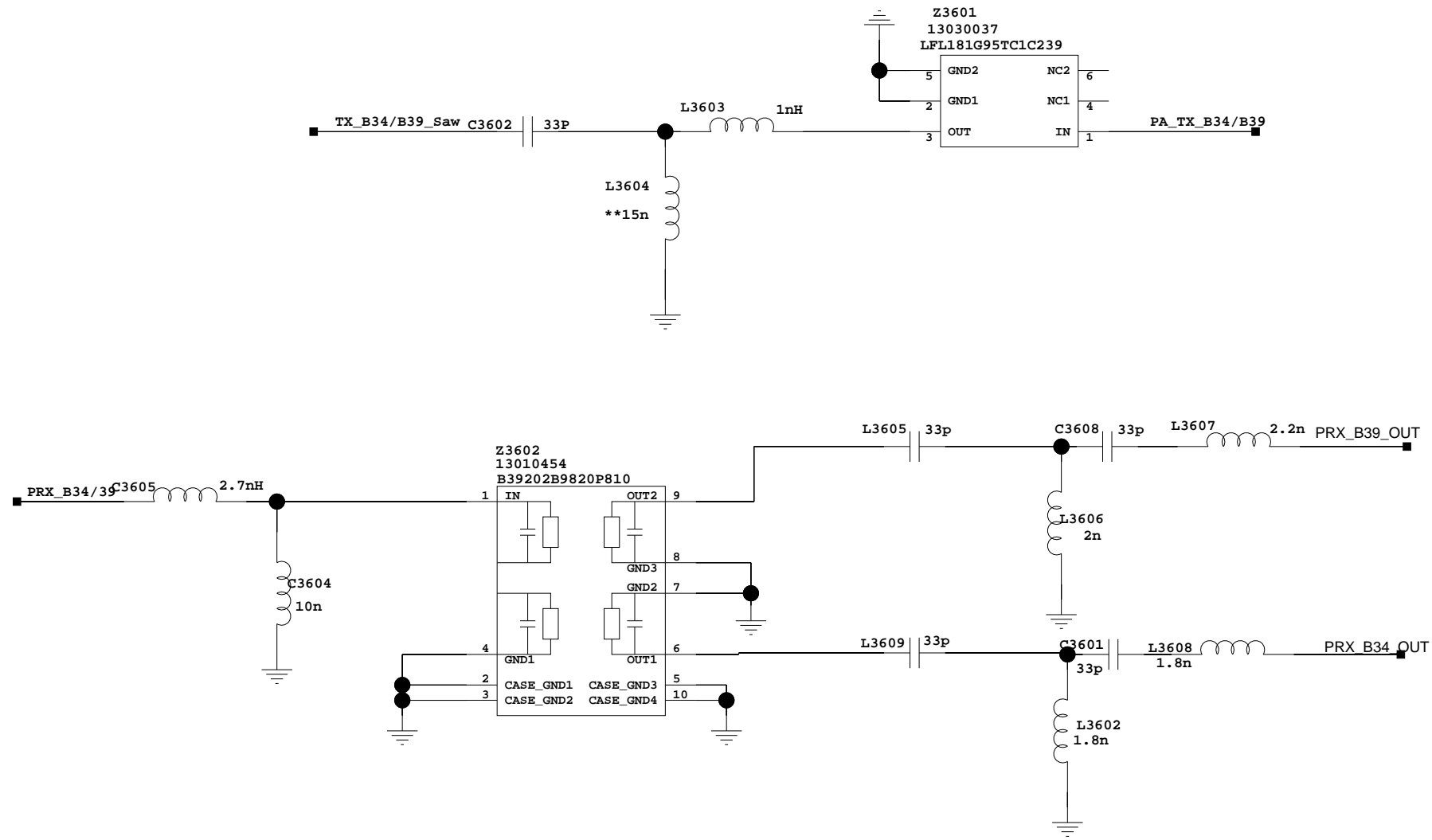
35.RF Front End UHBPA



The type and specification of the components refer to the BOM

DESIGNED	ZHANGDAWEI/00221688	VER	PART_NUMBER	SHEET 35 R0FFront End UHBPA
REVIEWED	YANGYONGXIANG/00171286	B	0302****	HUAWEI TECH CO.,LTD.
				NA 20150906
				ECA NO DATE

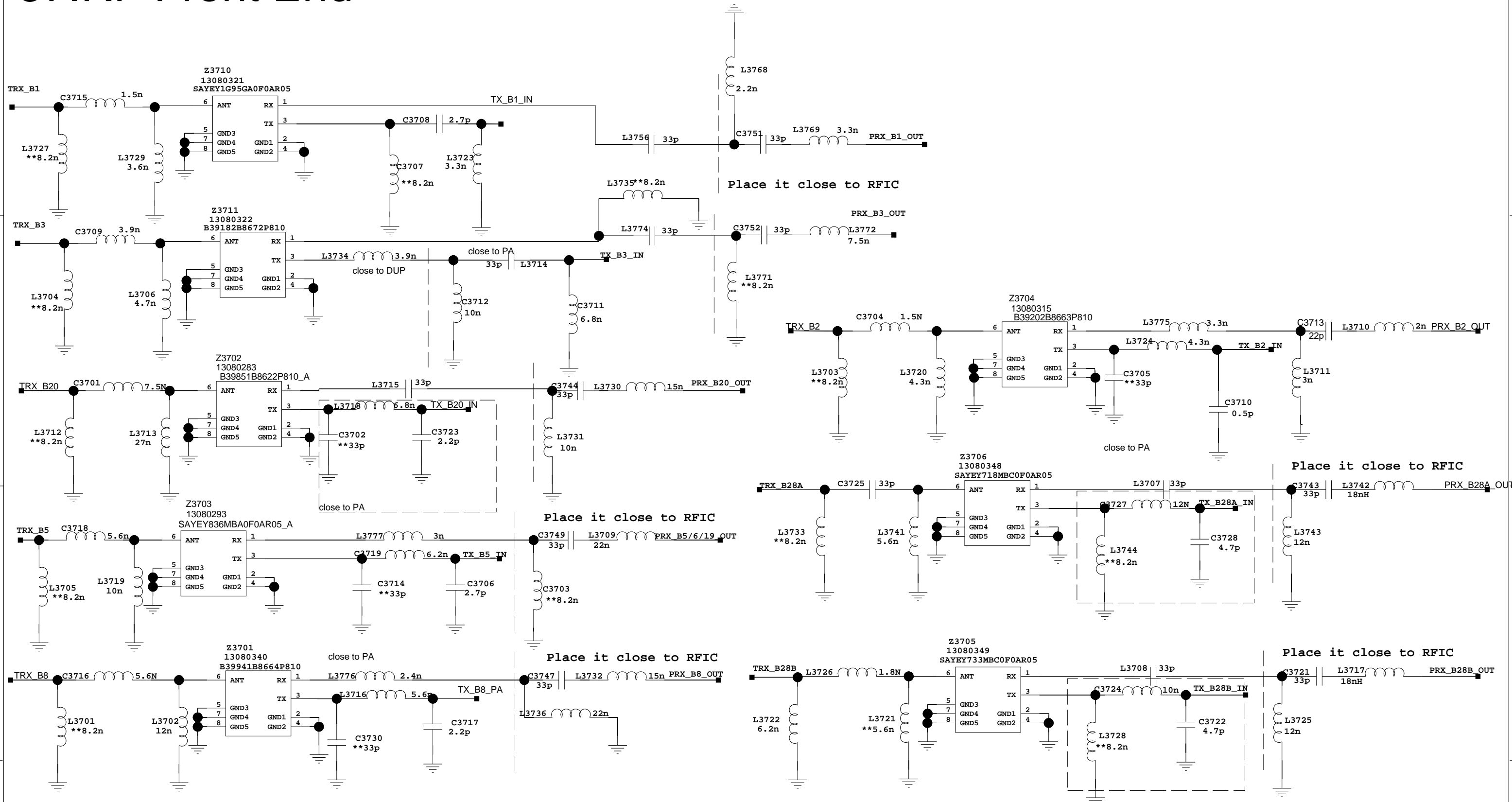
36.RF Front End



The type and specification of the components refer to the BOM

				NA	20150906
				ECA NO	DATE
DESIGNED	ZHANGDAWEI/00221688			SHL1EdisonAM	
REVIEWED	YANGYONGXIANG/00171286				
		VER	PART_NUMBER	SHEET 36 R0FFront End-1	
		A	0302****	HUAWEI TECH CO.,LTD.	

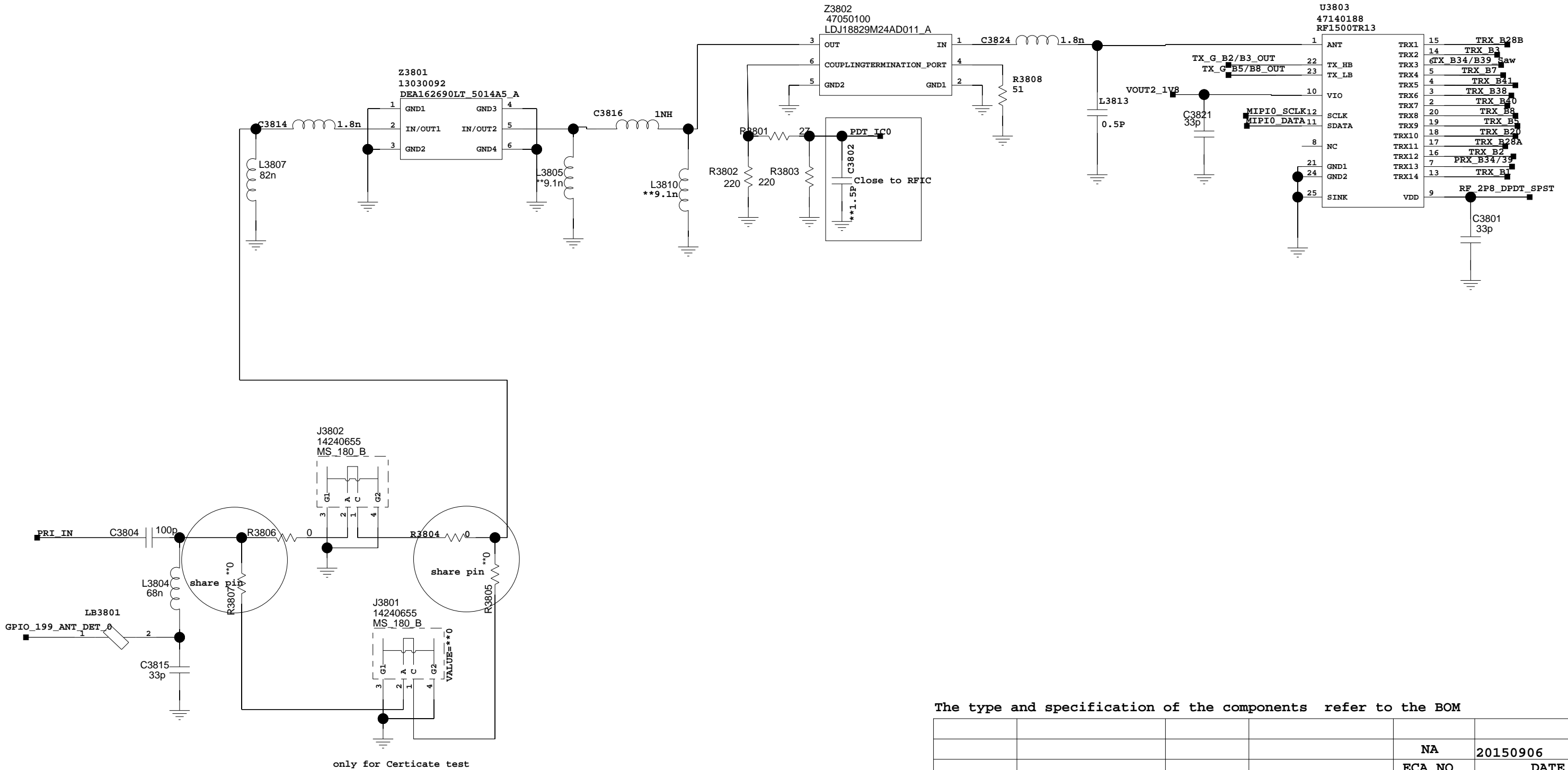
37.RF Front End



The type and specification of the components refer to the BOM

				NA	20150906
				ECA NO	DATE
DESIGNED	ZHANGDAWEI/00221688		SHL1EdisonAM		
REVIEWED	YANGYONGXIANG/00171286		VER	PART_NUMBER	SHEET 37 R0FFront End-2
			B	0302****	HUAWEI TECH CO.,LTD.

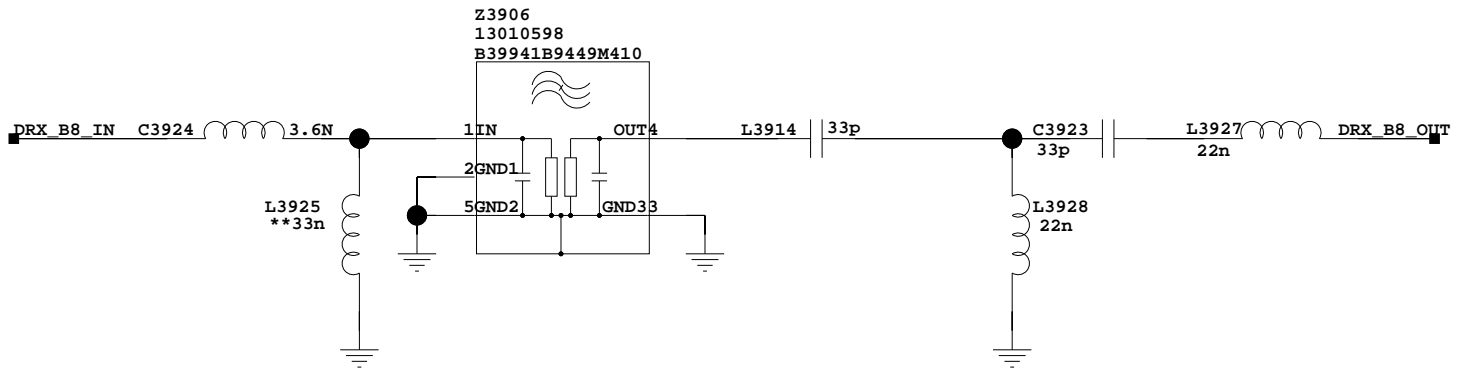
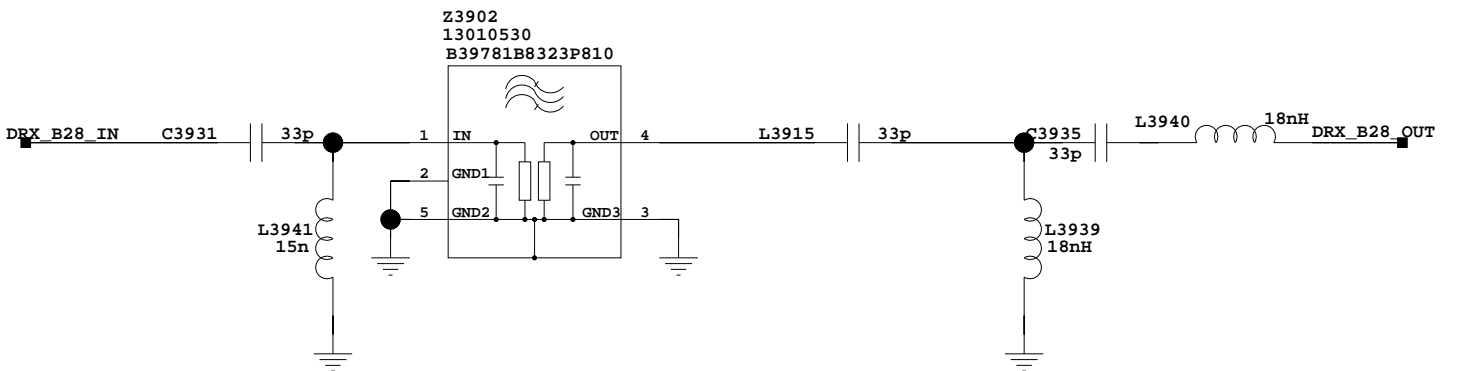
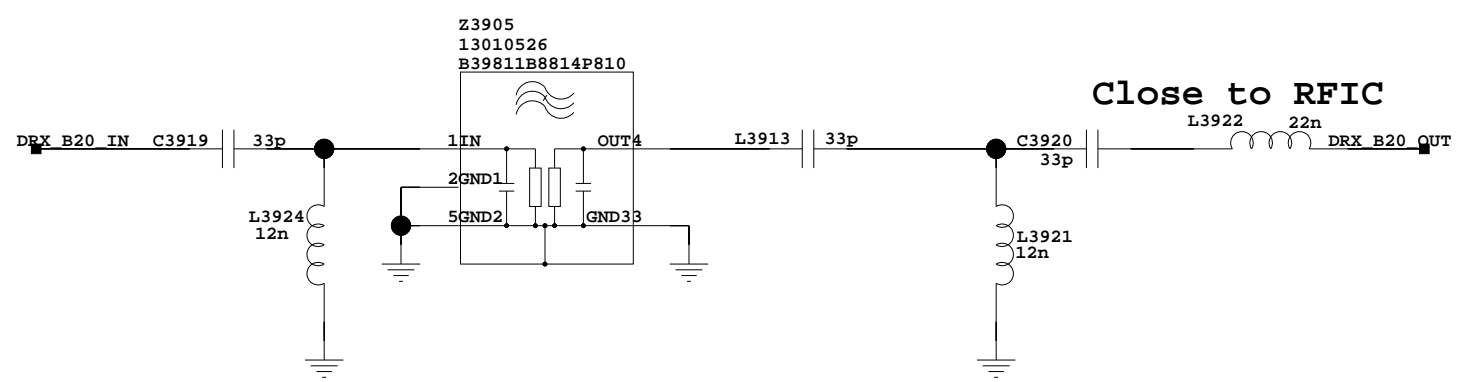
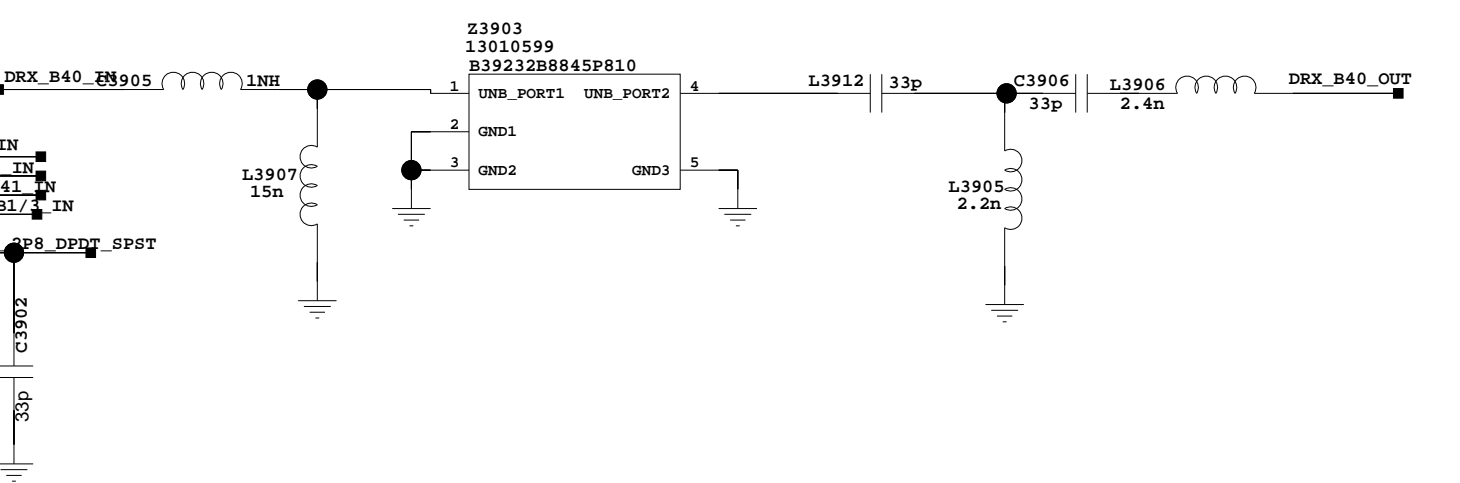
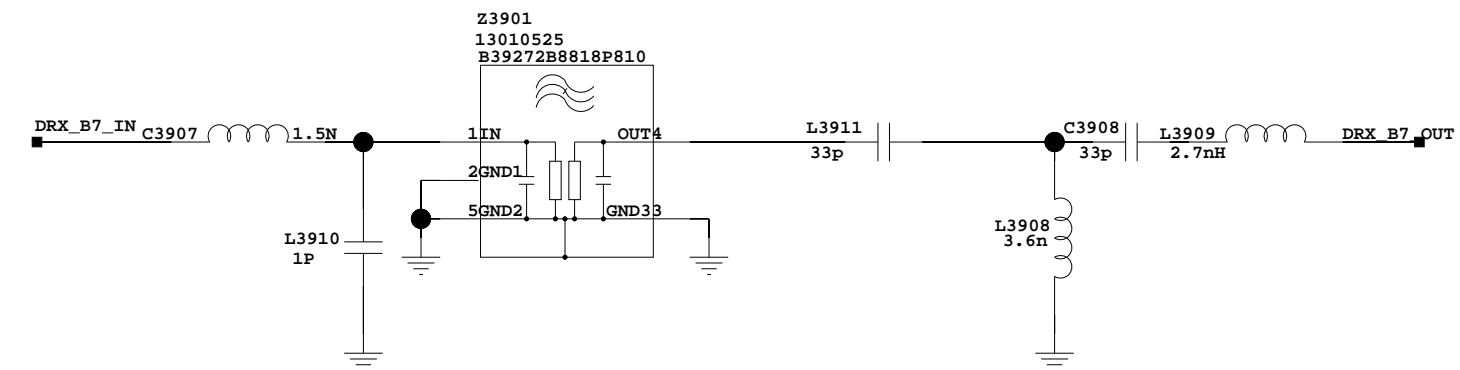
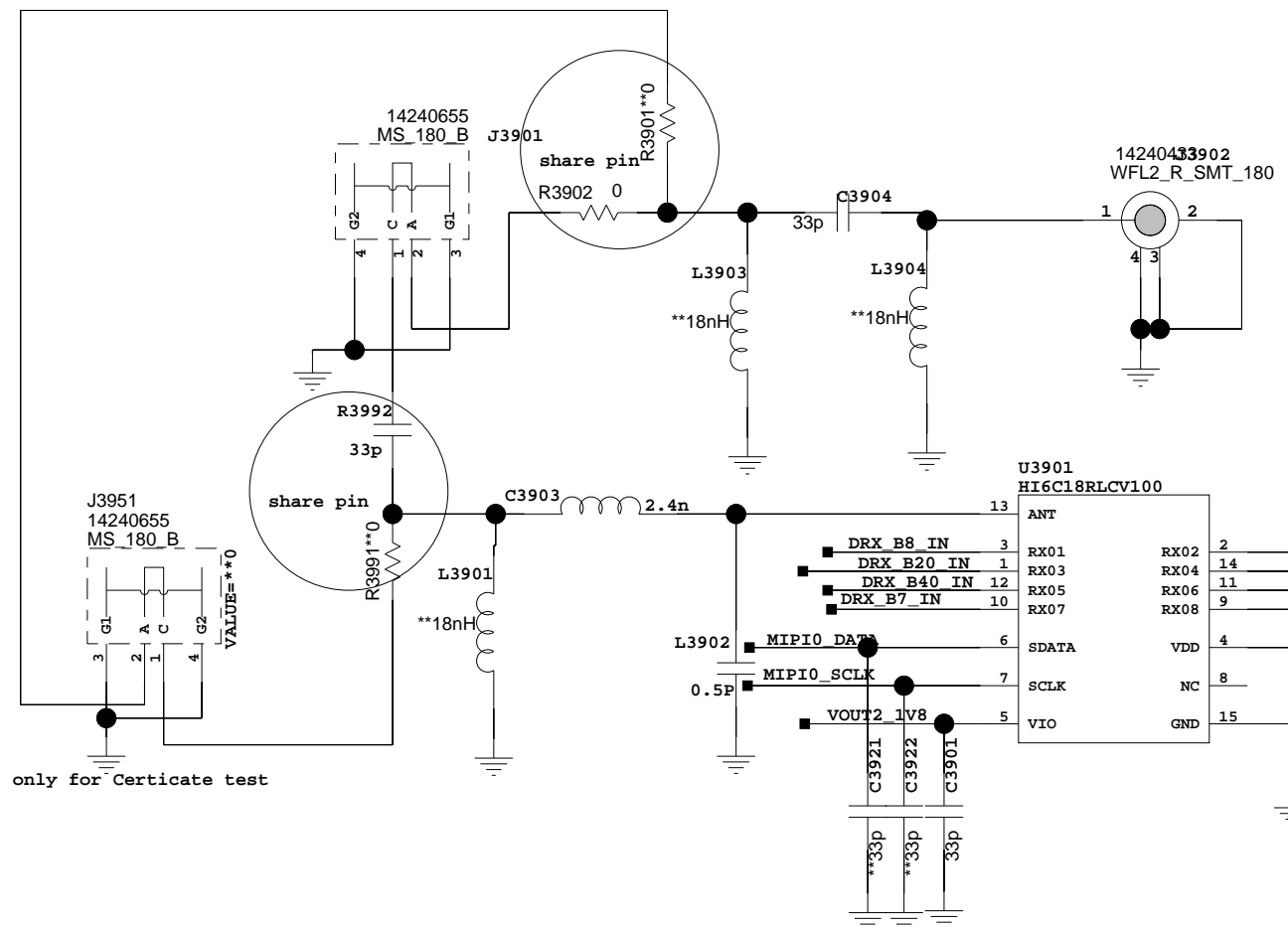
38. RF Front End Switch /Main ANT



The type and specification of the components refer to the BOM

				NA	20150906
				ECA NO	DATE
DESIGNED	ZHANGDAWEI/00221688	SHL1EdisonAM			
REVIEWED	YANGYONGXIANG/00171286				
		VER	PART_NUMBER	SHEET 38 R0FFront End Swit	
		B	0302****	HUAWEI TECH CO.,LTD.	

39. LTE Diversity-1/Div Ant

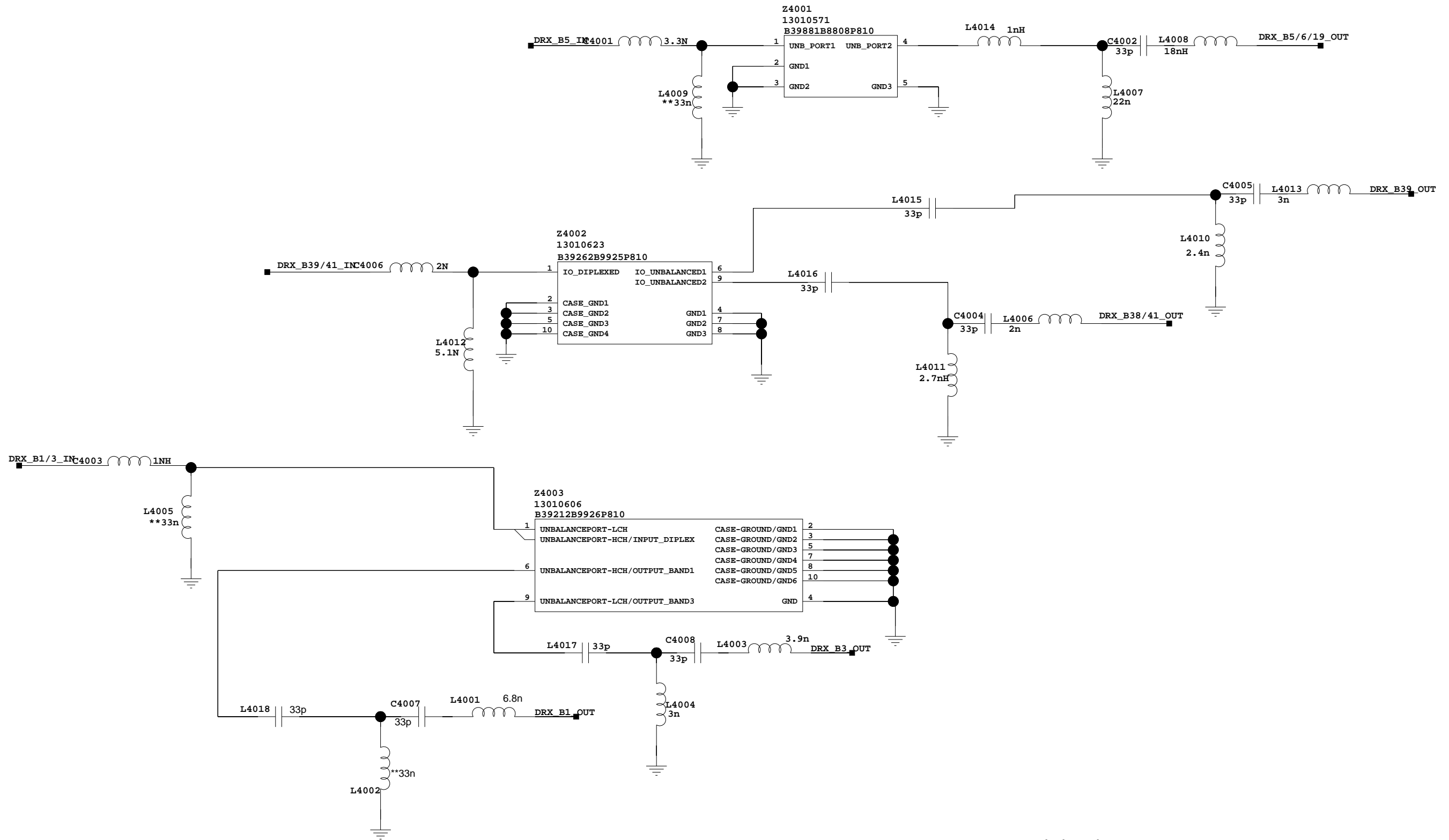


Close to RFIC

The type and specification of the components refer to the BOM

				14-04-2016_12:04
			NA	20150906
			ECA NO	DATE
DESIGNED	ZHANGDAWEI/00221688	SHL1EdisonAM		00001234
REVIEWED	YANGYONGXIANG/00171286			
		VER	PART_NUMBER	SHEET 39 LTE Diversity-1
			0302****	HUAWEI TECH CO.,LTD.

40. LTE Diversity-2



The type and specification of the components refer to the BOM

				06-05-2016_15:50
			NA	20150906
			ECA NO	DATE
DESIGNED	ZHANGDAWEI/00221688	SHL1EdisonAM		00001234
REVIEWED	YANGYONGXIANG/00171286	VER	PART_NUMBER	SHEET 40 LTE Diversity-2
			0302****	HUAWEI TECH CO.,LTD.

41.null

A

A

B

B

C

C

D

D

The type and specification of the components refer to the BOM

				NA	20150906
				ECA NO	DATE
DESIGNED	ZHANGDAWEI/00221688	SHL1EdisonAM			
REVIEWED	YANGYONGXIANG/00171286				
		VER	PART_NUMBER	SHEET	41 CDMA M6dem_VIA
		A	0302****	HUAWEI TECH CO.,LTD.	

42.CDMA Modem_VIA

A

A

B

B

C

C

D

D

The type and specification of the components refer to the BOM

				NA	20150906
				ECA NO	DATE
DESIGNED	ZHANGDAWEI/00221688	SHL1EdisonAM			
REVIEWED	YANGYONGXIANG/00171286				
		VER	PART_NUMBER	SHEET	42 CDMA Modem_VIA
		A	0302****	HUAWEI TECH CO.,LTD.	

43.CDMA Modem_VIA

A

A

B

B

C

C

D

D

The type and specification of the components refer to the BOM

				NA	20150906
				ECA NO	DATE
DESIGNED	ZHANGDAWEI/00221688	SHL1EdisonAM			
REVIEWED	YANGYONGXIANG/00171286				
		VER	PART_NUMBER	SHEET	43 CDMA Modem_VIA
		A	0302****	HUAWEI TECH CO.,LTD.	

44.CDMA Modem_VIA PWR-1

A

A

B

B

C

C

D

D

The type and specification of the components refer to the BOM

				NA	20150906
				ECA NO	DATE
DESIGNED	ZHANGDAWEI/00221688	SHL1EdisonAM			
REVIEWED	YANGYONGXIANG/00171286				
		VER	PART_NUMBER	SHEET	44 CDMA Modem_VIA PWR
		A	0302****	HUAWEI TECH CO.,LTD.	

45.CDMA Modem_VIA PWR-2

A

A

B

B

C

C

D

D

The type and specification of the components refer to the BOM

				NA	20150906
				ECA NO	DATE
DESIGNED	ZHANGDAWEI/00221688	SHL1EdisonAM			
REVIEWED	YANGYONGXIANG/00171286				
		VER	PART_NUMBER	SHEET	45 CDMA Modem_VIA PWR
		A	0302****	HUAWEI TECH CO.,LTD.	

46.CDMA RFIC

A

A

B

B

C

C

D

D

The type and specification of the components refer to the BOM

				NA	20150906
				ECA NO	DATE
DESIGNED	ZHANGDAWEI/00221688	SHL1EdisonAM			
REVIEWED	YANGYONGXIANG/00171286				
		VER	PART_NUMBER	SHEET 46 CDMA RFIC	
		A	0302****	HUAWEI TECH CO.,LTD.	

47.CDMA TX/PA

A

A

B

B

C

C

D

D

The type and specification of the components refer to the BOM

				NA	20150906
				ECA NO	DATE
DESIGNED	ZHANGDAWEI/00221688	SHL1EdisonAM			
REVIEWED	YANGYONGXIANG/00171286				
		VER	PART_NUMBER	SHEET 47 CDMA TX/PA	
		A	0302****	HUAWEI TECH CO.,LTD.	

A

A

B

B

C

C

D

D

The type and specification of the components refer to the BOM

				NA	20150906
				ECA NO	DATE
DESIGNED	ZHANGDAWEI/00221688	SHL1EdisonAM			
REVIEWED	YANGYONGXIANG/00171286				
		VER	PART_NUMBER	SHEET 48 OF 60	
		A	0302****	HUAWEI TECH CO.,LTD.	

49. Reserved

A

A

B

B

C

C

D

D

The type and specification of the components refer to the BOM

				TBD For	20150906
				ECA NO	DATE
DESIGNED	ZHANGDAWEI/00221688	SHL1EdisonAM			
REVIEWED	YANGYONGXIANG/00171286				
		VER	PART_NUMBER	SHEET 49 OF 60	
		B	0302****	HUAWEI TECH CO.,LTD.	

A

A

B

B

C

C

D

D

The type and specification of the components refer to the BOM

				TBD For	20150906
				ECA NO	DATE
DESIGNED	ZHANGDAWEI/00221688	SHL1EdisonAM			
REVIEWED	YANGYONGXIANG/00171286				
		VER	PART_NUMBER	SHEET 50 OF 60	
		B	0302****	HUAWEI TECH CO.,LTD.	

51 Reserved

A

A

B

B

C

C

D

D

The type and specification of the components refer to the BOM

				NA	20150906
				ECA NO	DATE
DESIGNED	ZHANGDAWEI/00221688	SHL1EdisonAM			
REVIEWED	YANGYONGXIANG/00171286				
		VER	PART_NUMBER	SHEET 51 OF 60	
		A	0302****	HUAWEI TECH CO.,LTD.	

52.Hi1102 POWER

A

B

C

D

NFC

RF

DBB

ABB

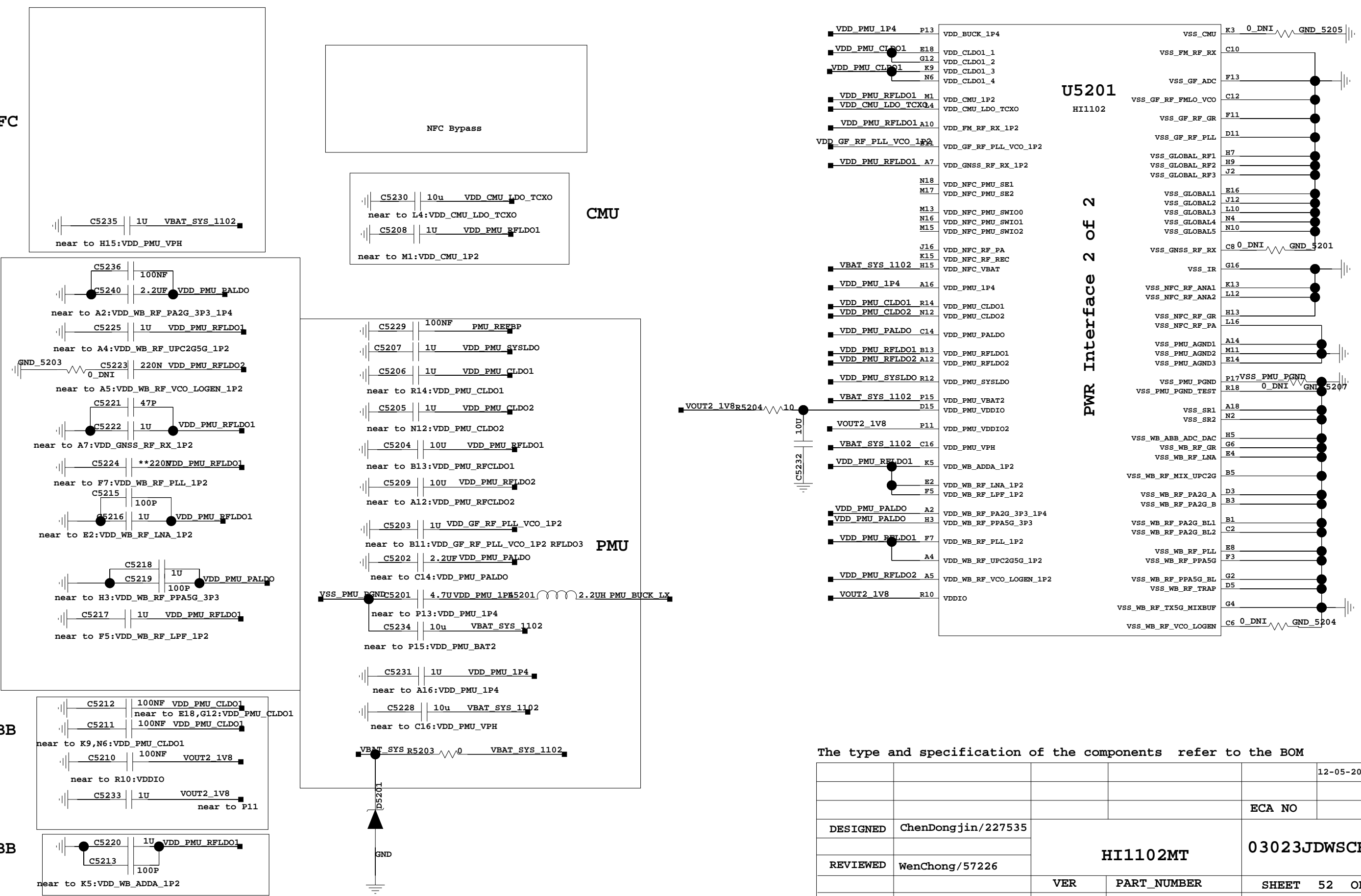
NFC Bypass

CMU

PMU

U5201
HI1102

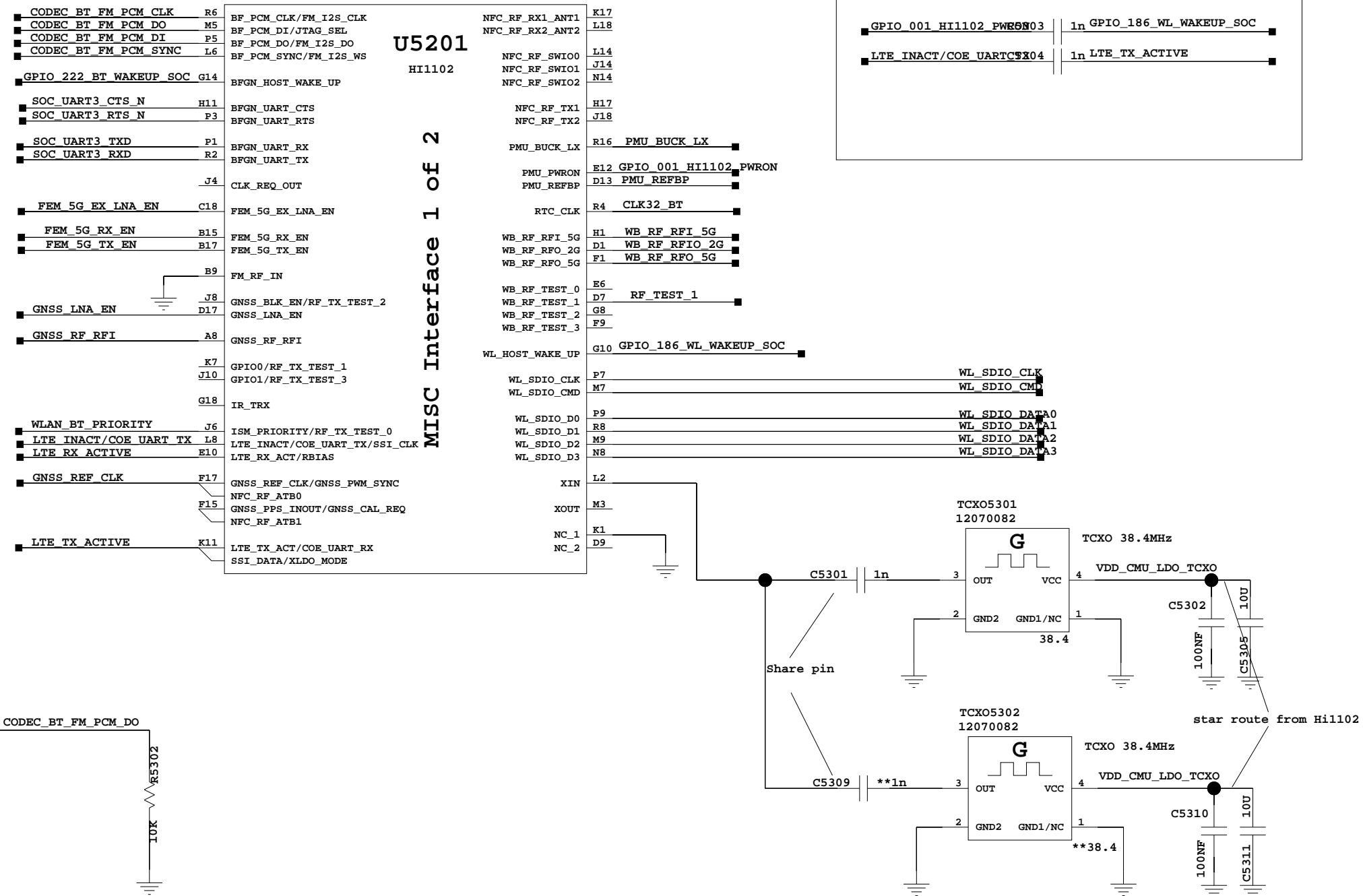
PWR Interface 2 of 2



The type and specification of the components refer to the BOM

				12-05-2016_17:42
			ECA NO	DATE
DESIGNED	ChenDongjin/227535	HI1102MT		03023JDWSCH_ZH
REVIEWED	WenChong/57226			
		VER	PART_NUMBER	SHEET 52 OF 61
		A	03023JDW	HUAWEI TECH CO.,LTD.

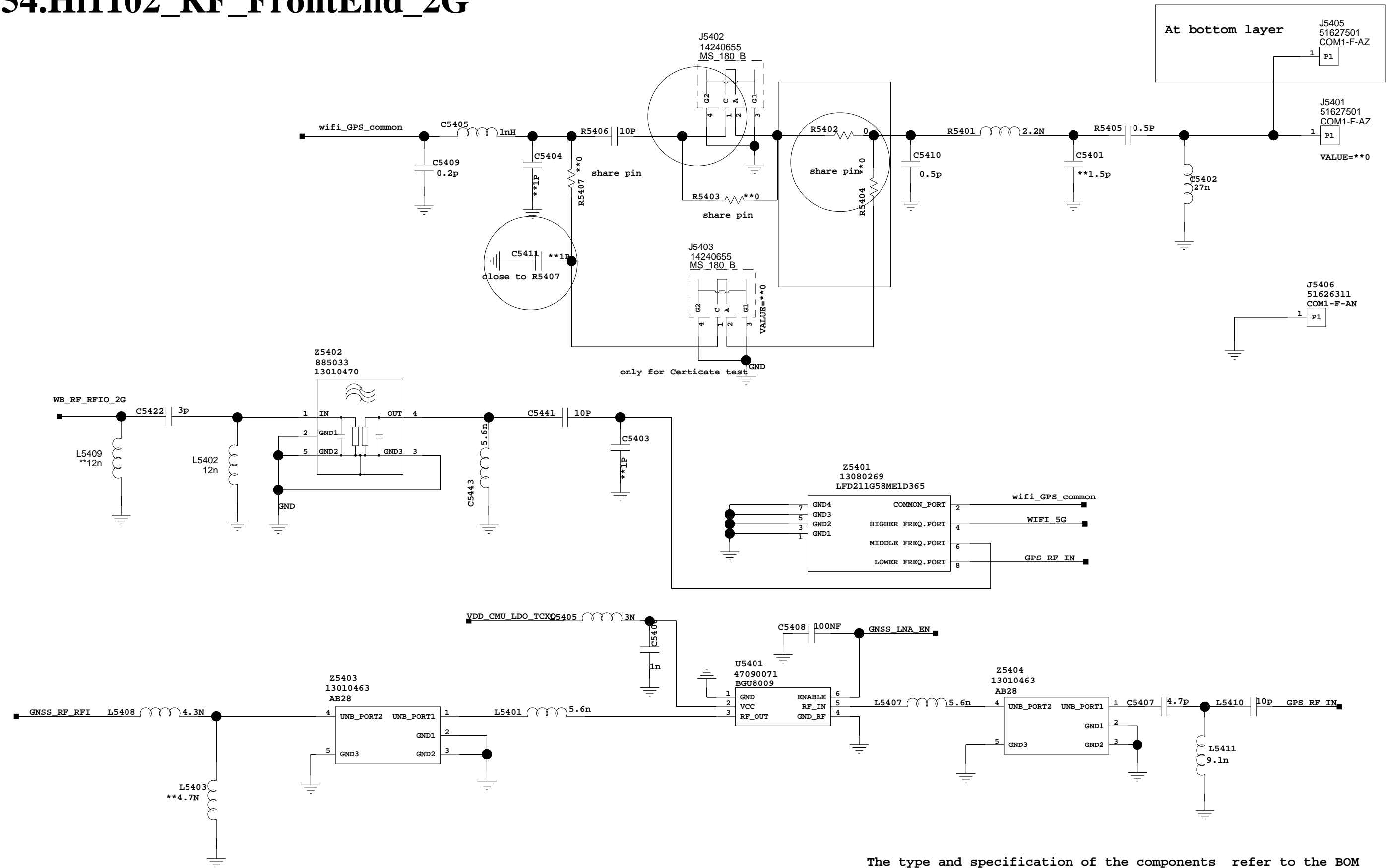
53. Hi1102 Interface



The type and specification of the components refer to the BOM

				18-05-2016_10:57
			ECA NO	DATE
DESIGNED	ChenDongjin/227535	HI1102MT		03023JDWSCH_ZH
REVIEWED	WenChong/57226			
		VER	PART_NUMBER	SHEET 53 OF 61
		A	03023JDW	HUAWEI TECH CO.,LTD.

54.Hi1102_RF_FrontEnd_2G

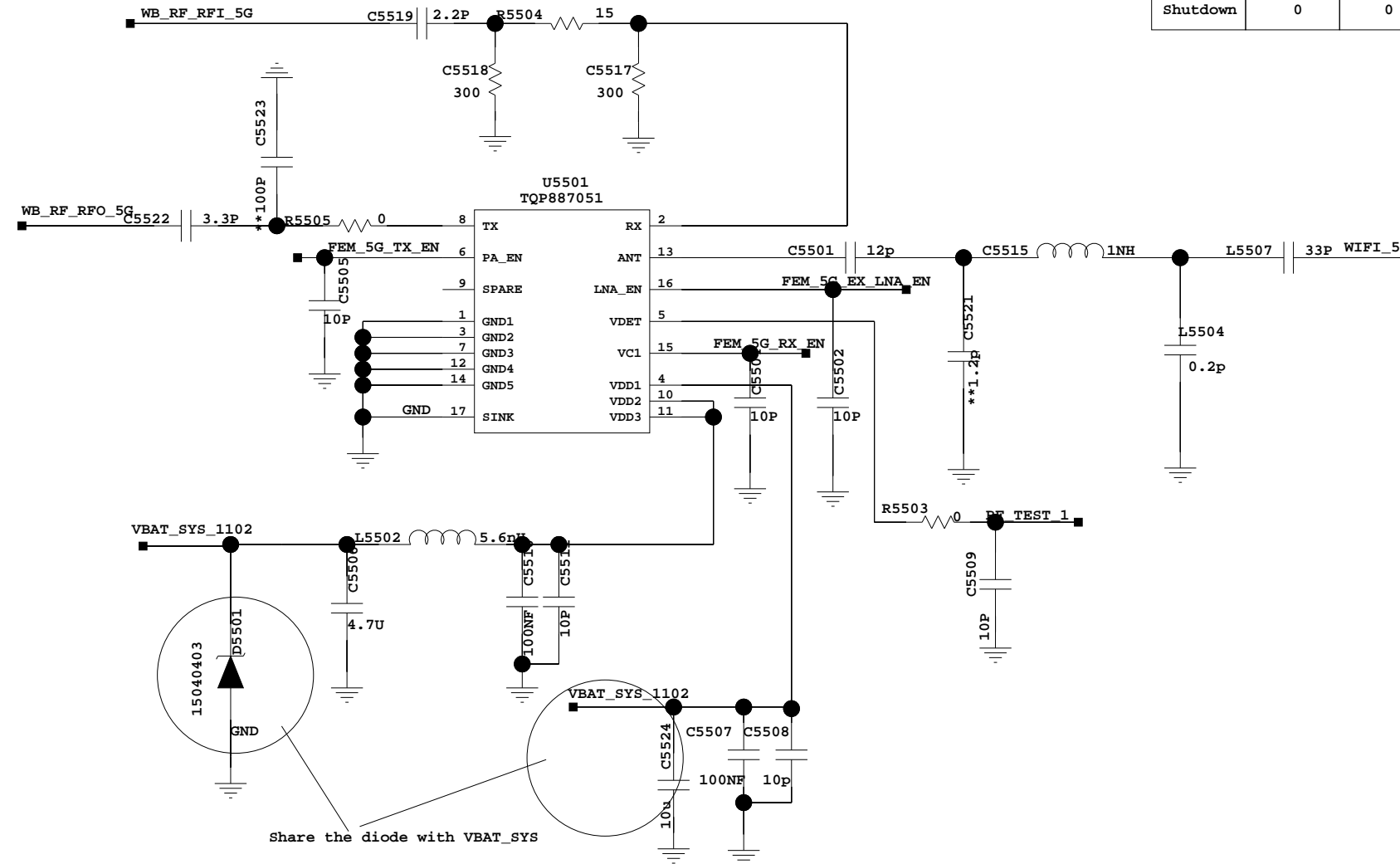


The type and specification of the components refer to the BOM

					06-05-2016_11:14
				ECA NO	DATE
DESIGNED	ChenDongjin/227535	HI1102MT		03023JDWSCH_ZH	
REVIEWED	WenChong/57226				
		VER	PART_NUMBER	SHEET 54 OF 61	
		A	03023JDW	HUAWEI TECH CO.,LTD.	

55.Hi1102_RF_FrontEnd_5GHz

5G FEM	VC1	LNA_EN	PA_EN
Rx/LNA ON	1	1	0
Rx/Bypass	1	0	0
WLAN Tx	0	0	1
Shutdown	0	0	0



Share the diode with VBAT_SYS

The type and specification of the components refer to the BOM

				24-05-2016_10:09
			ECA NO	DATE
DESIGNED	ChenDongjin/227535	HI1102MT		03023JDWSCH_ZH
REVIEWED	WenChong/57226			
		VER	PART_NUMBER	SHEET 55 OF 61
		A	03023JDW	HUAWEI TECH CO.,LTD.

56. GPS

A

A

B

B

C

C

D

D

The type and specification of the components refer to the BOM

					20150906
				ECA NO	DATE
DESIGNED	ZHANGDAWEI/00221688	SHL1EdisonAM			
REVIEWED	YANGYONGXIANG/00171286				
		VER	PART_NUMBER	SHEET	56 GPS 60
		A	0302****	HUAWEI TECH CO.,LTD.	

57.

A

A

B

B

C

C

D

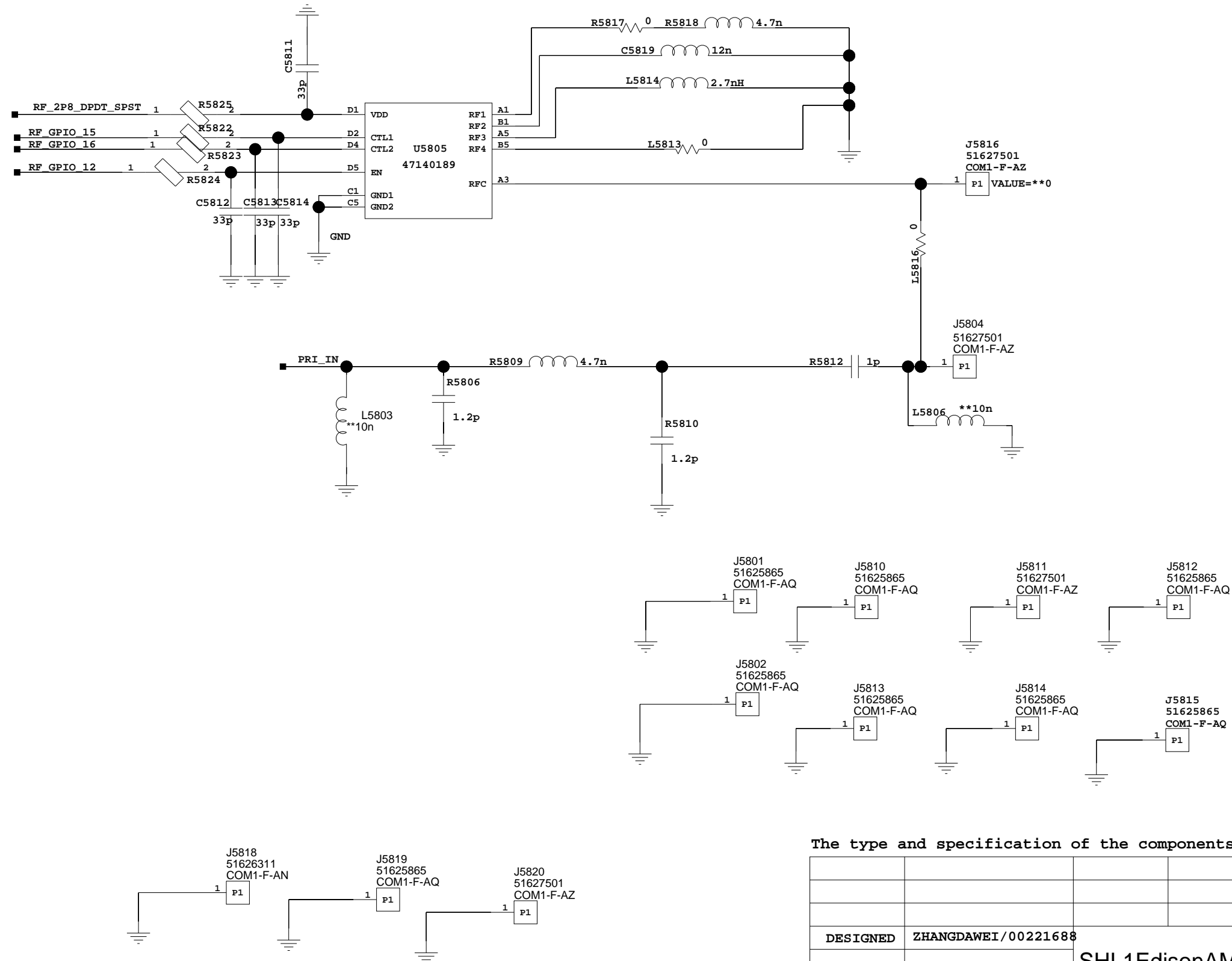
D

The type and specification of the components refer to the BOM

				TBD For	20150906
				ECA NO	DATE
DESIGNED	ZHANGDAWEI/00221688	SHL1EdisonAM			
REVIEWED	YANGYONGXIANG/00171286				
		VER	PART_NUMBER	SHEET 57 OF 60	
		B	0302****	HUAWEI TECH CO.,LTD.	

58. Antenna Tunner

Ctrl1	Ctrl2	Active path
0	0	RF1-RFC
0	1	RF2-RFC
1	0	RF3-RFC
1	1	RF4-RFC



The type and specification of the components refer to the BOM

				NA	20150906
				ECA NO	DATE
DESIGNED	ZHANGDAWEI/00221688	SHL1EdisonAM		03022RLA_SCHZH	
REVIEWED	YANGYONGXIANG/00171286				
		VER	PART_NUMBER	SHEET 60 of 60	
		B	0302****	HUAWEI TECH CO.,LTD.	