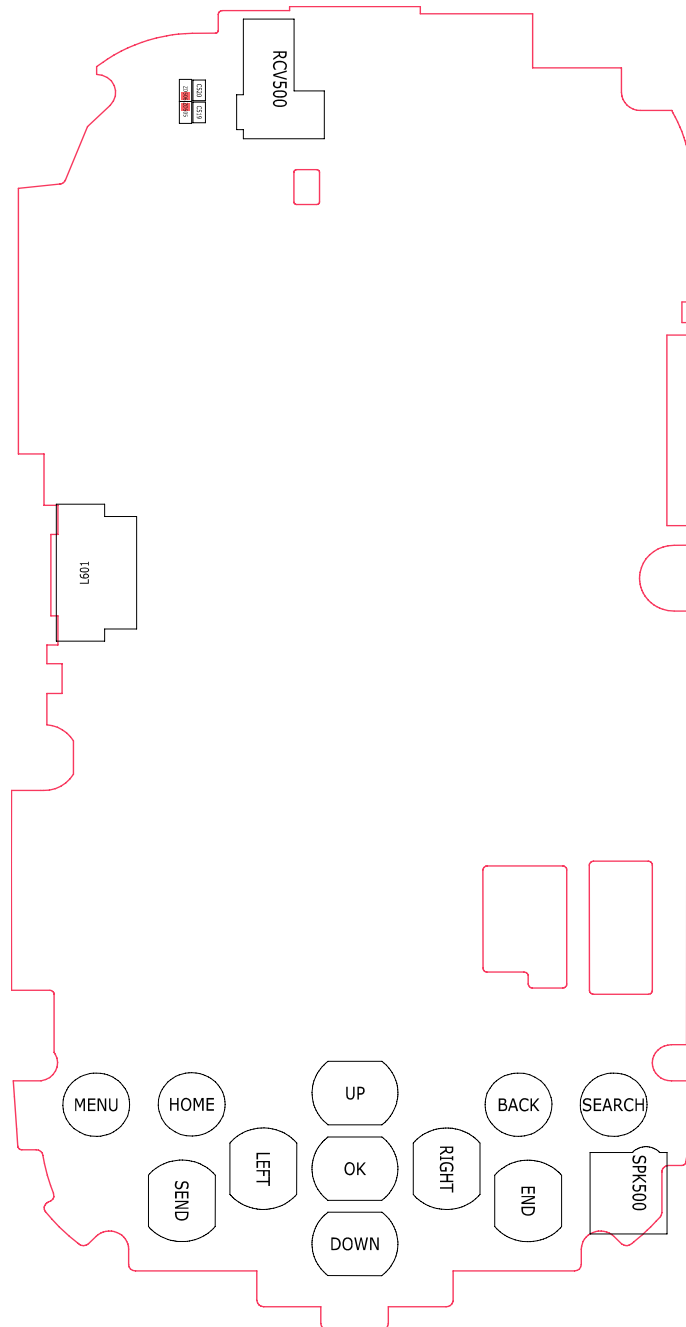
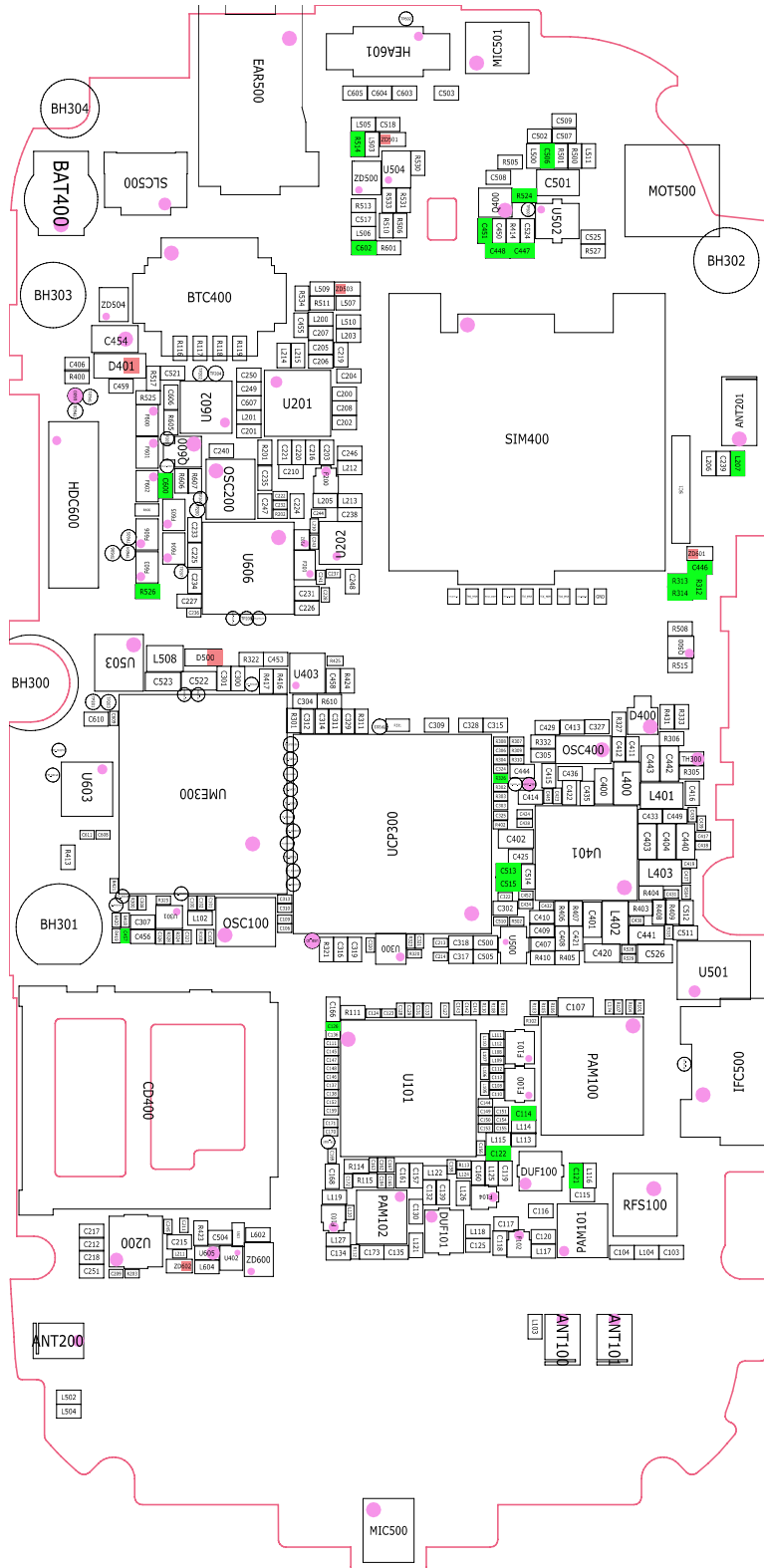


8-2. PCB Diagrams

8-2-1. Top

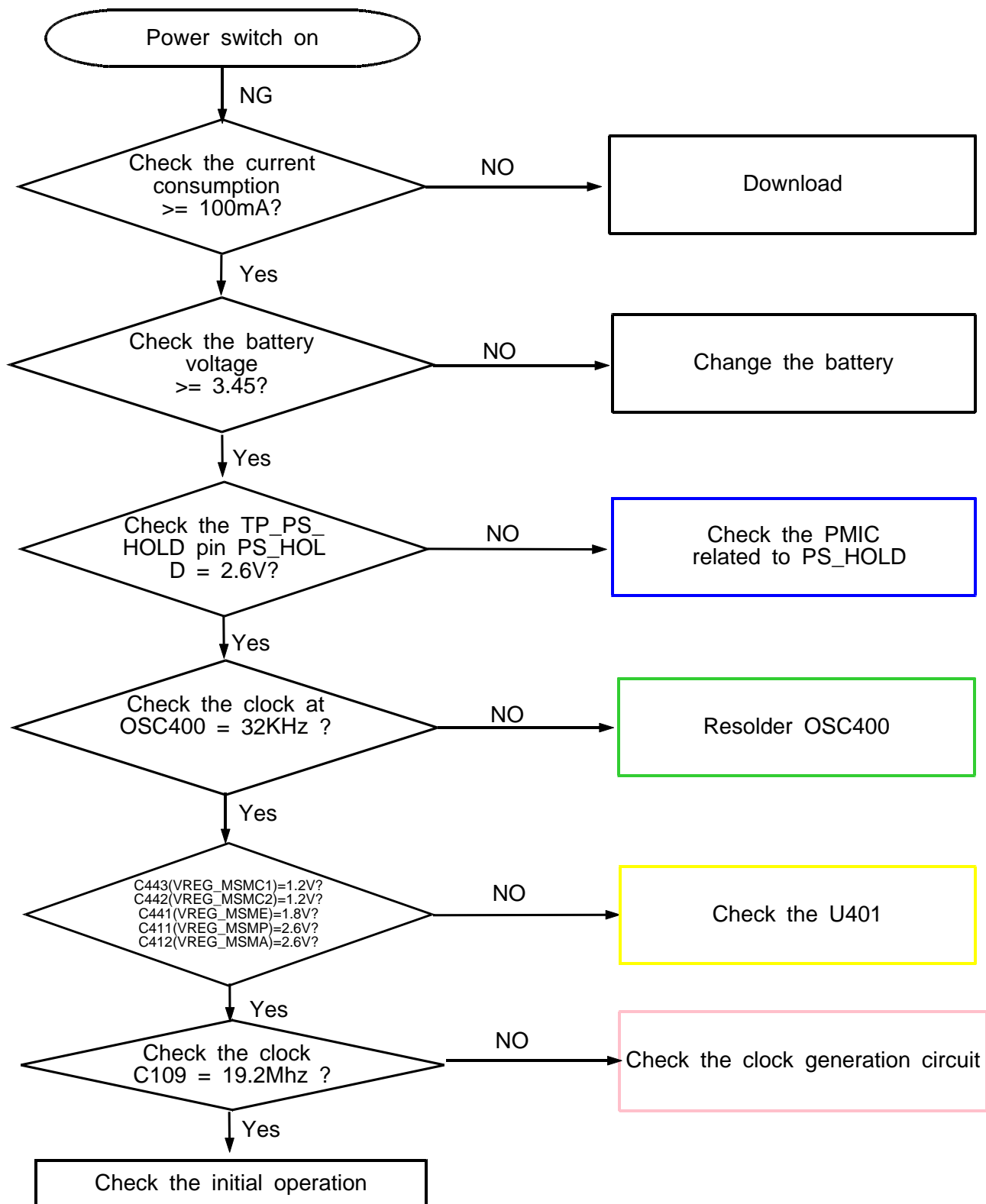


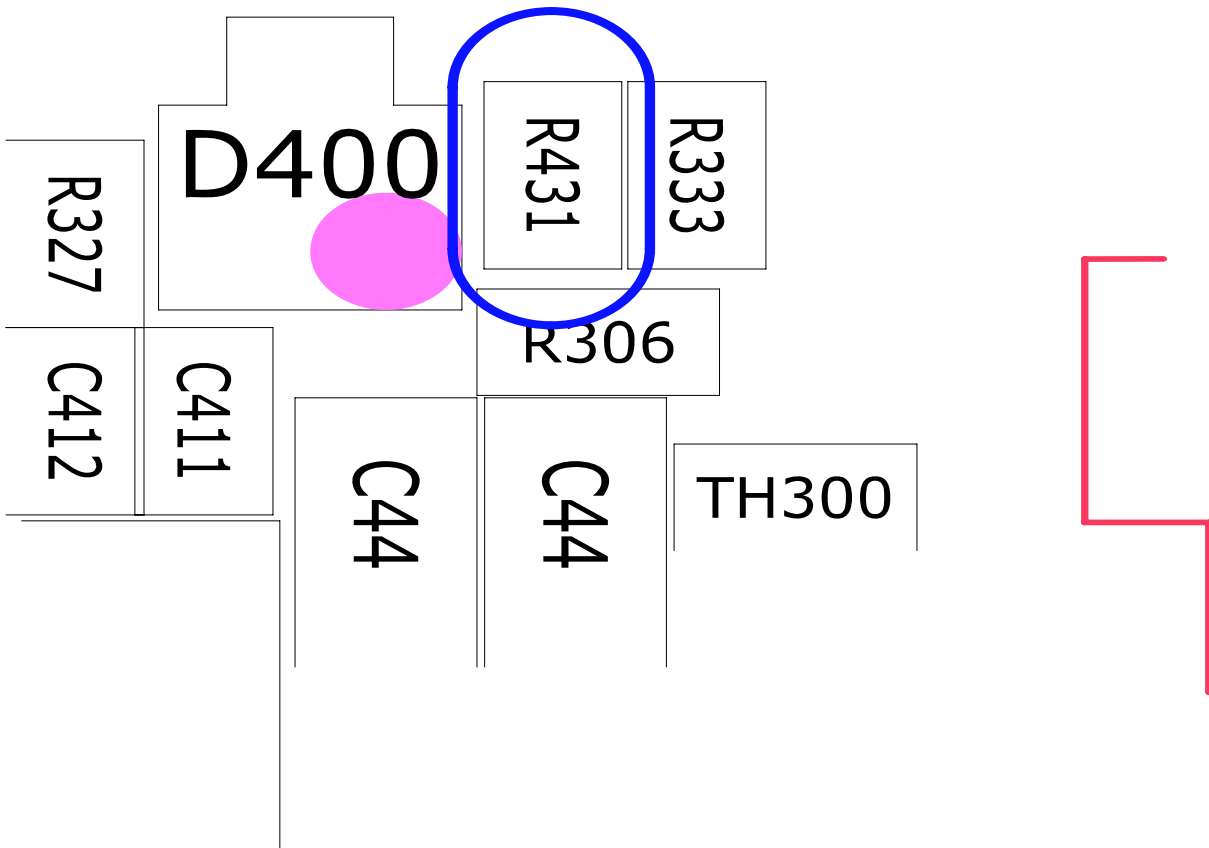
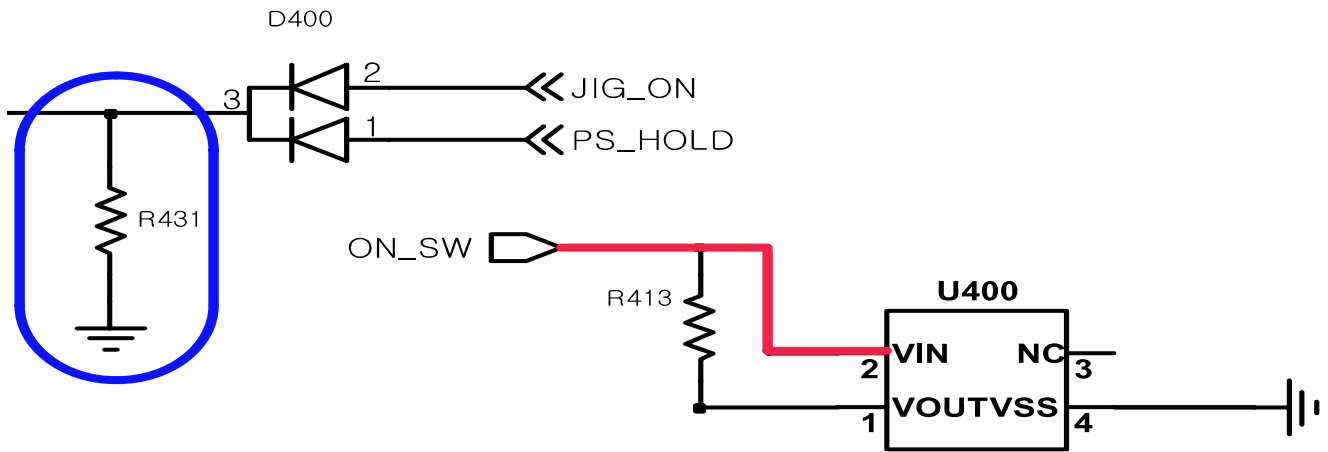
8-2-1. Bottom

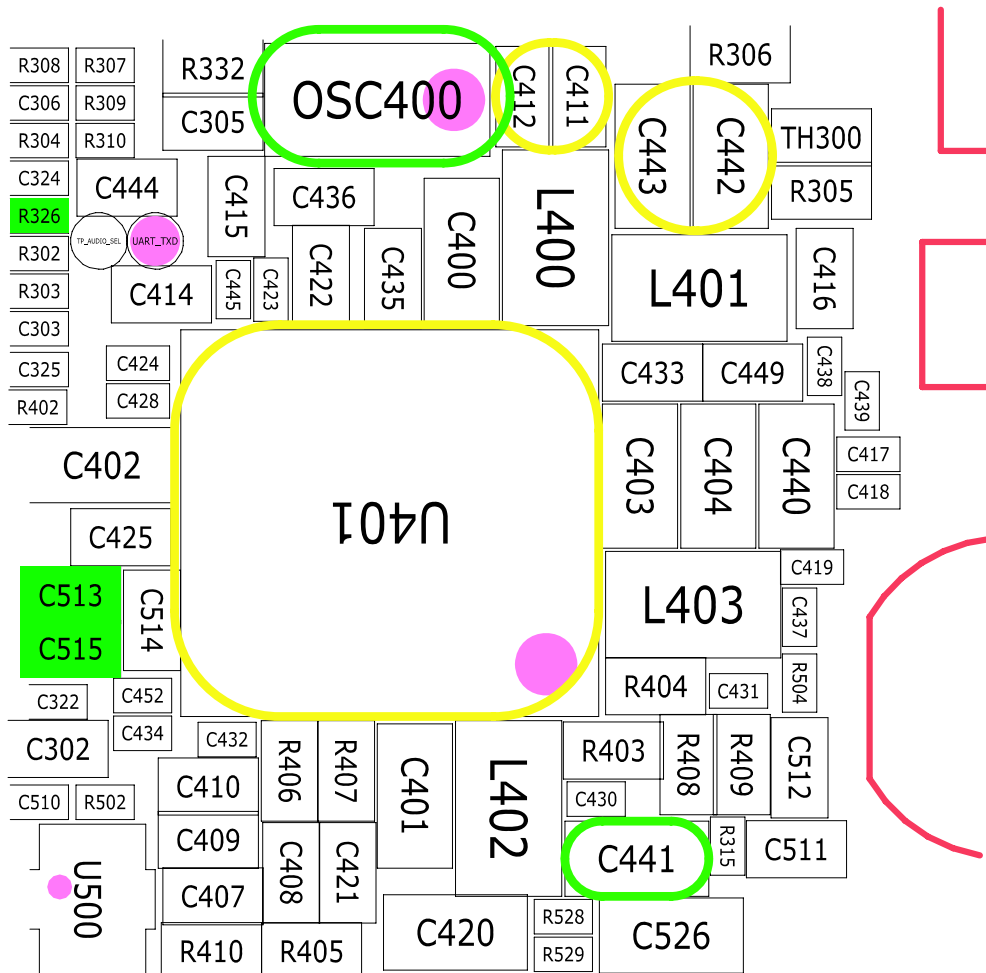
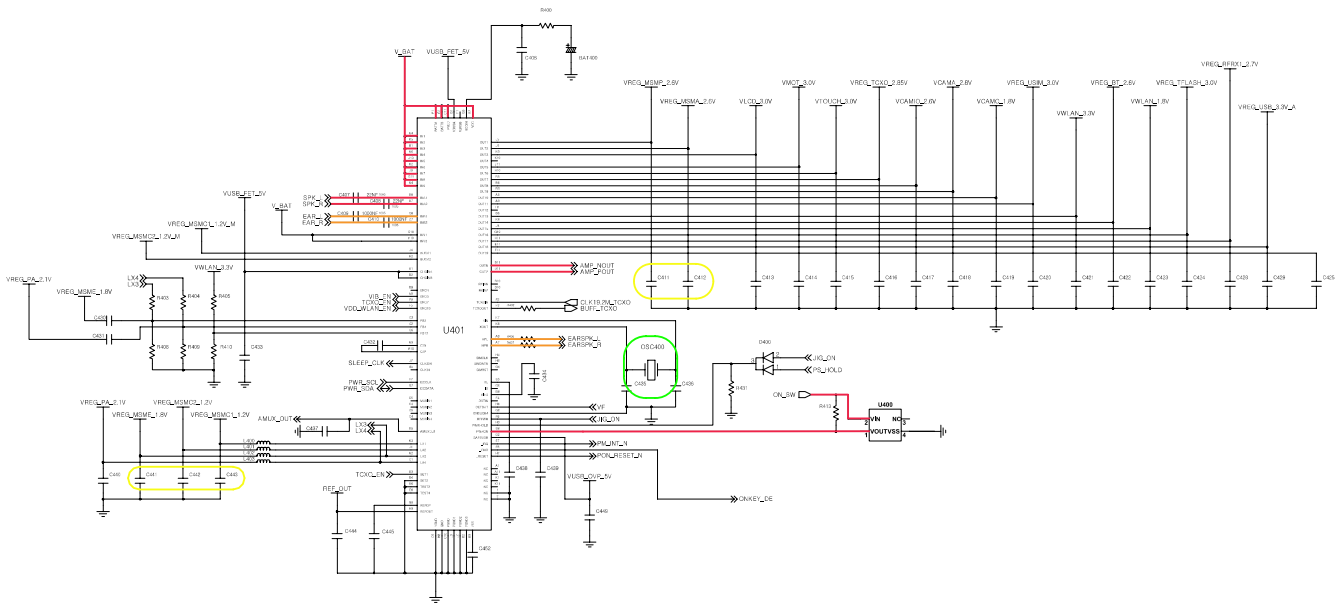


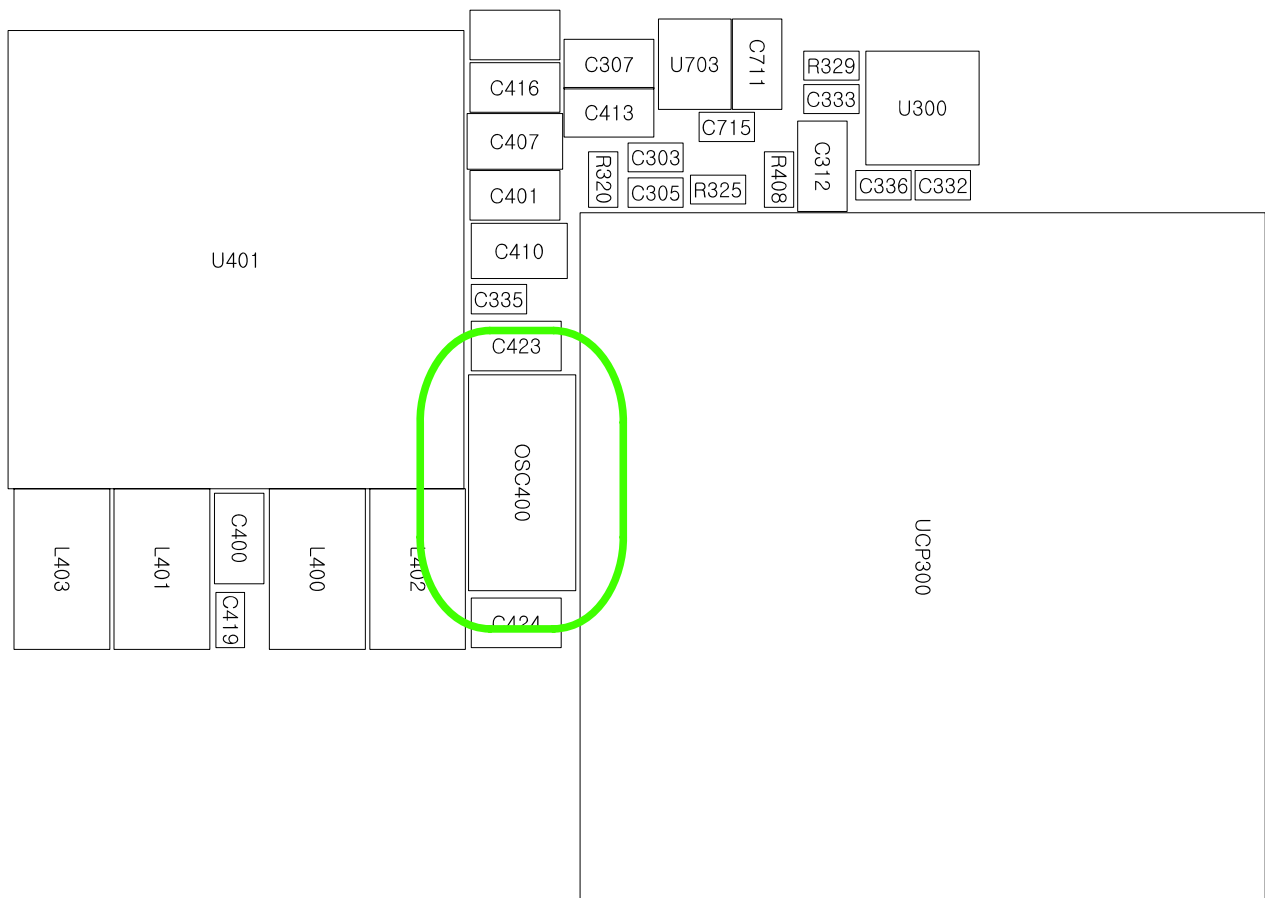
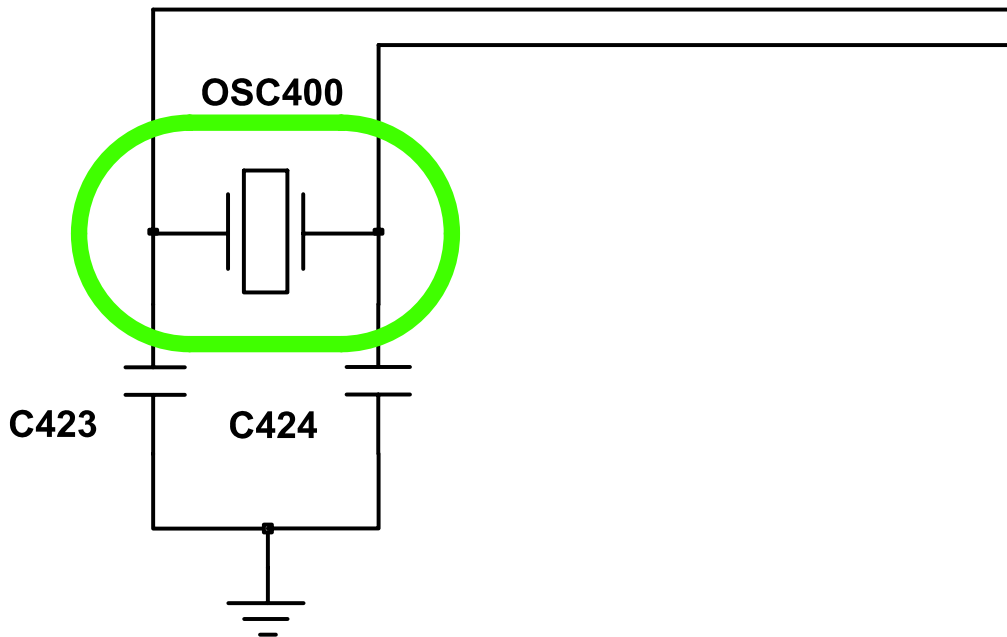
8-3. LOGIC

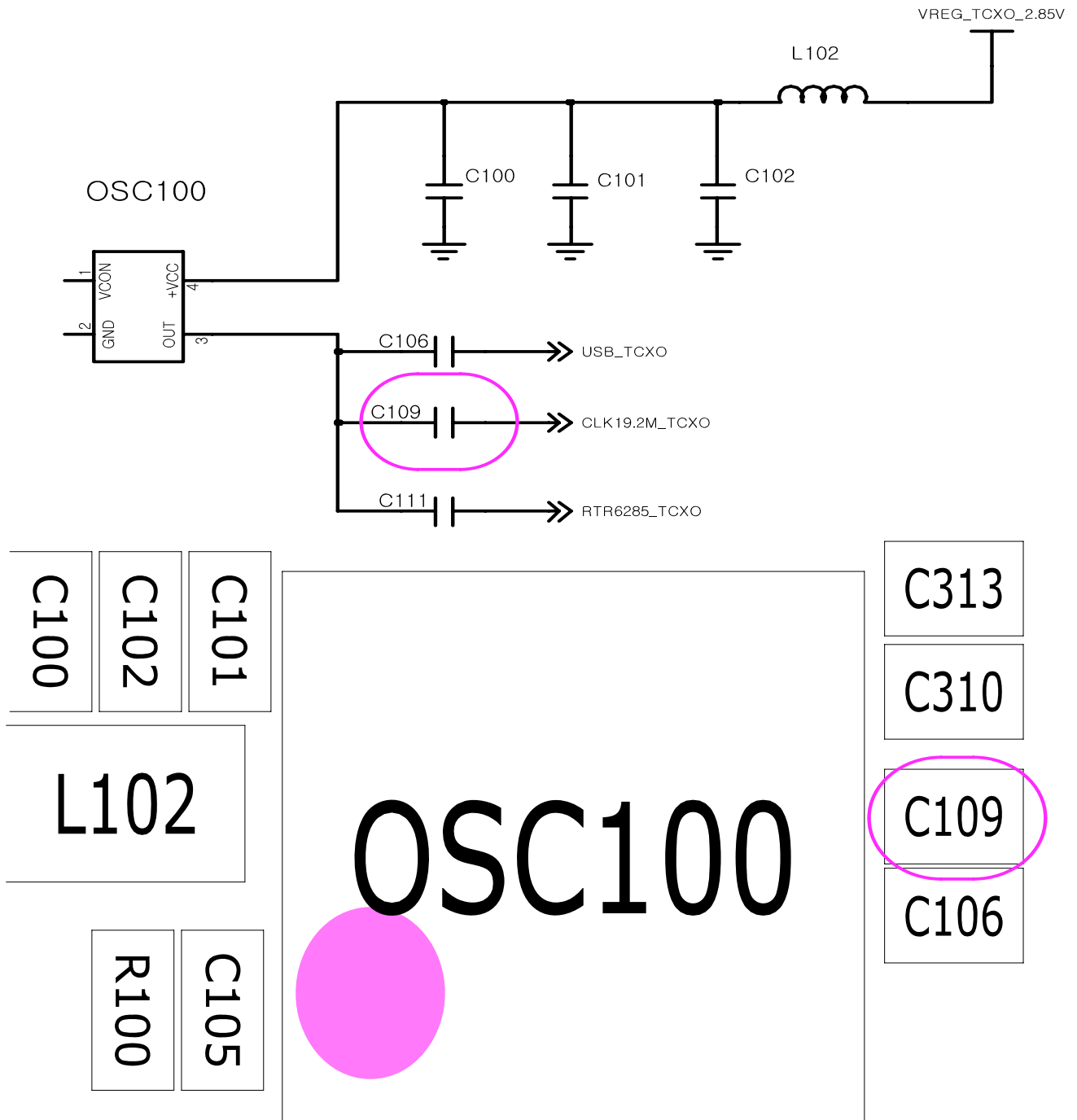
8-3-1. Power On



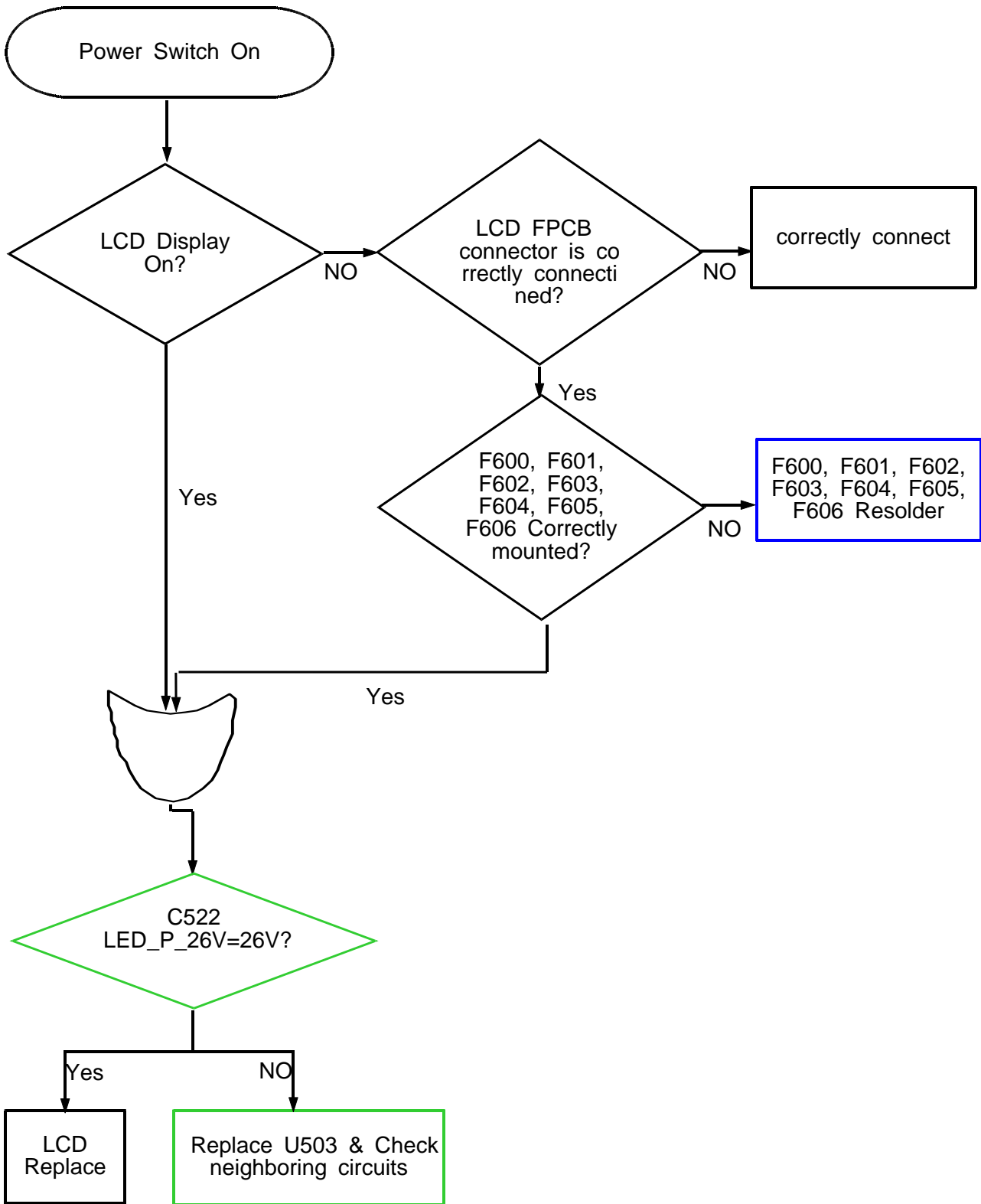


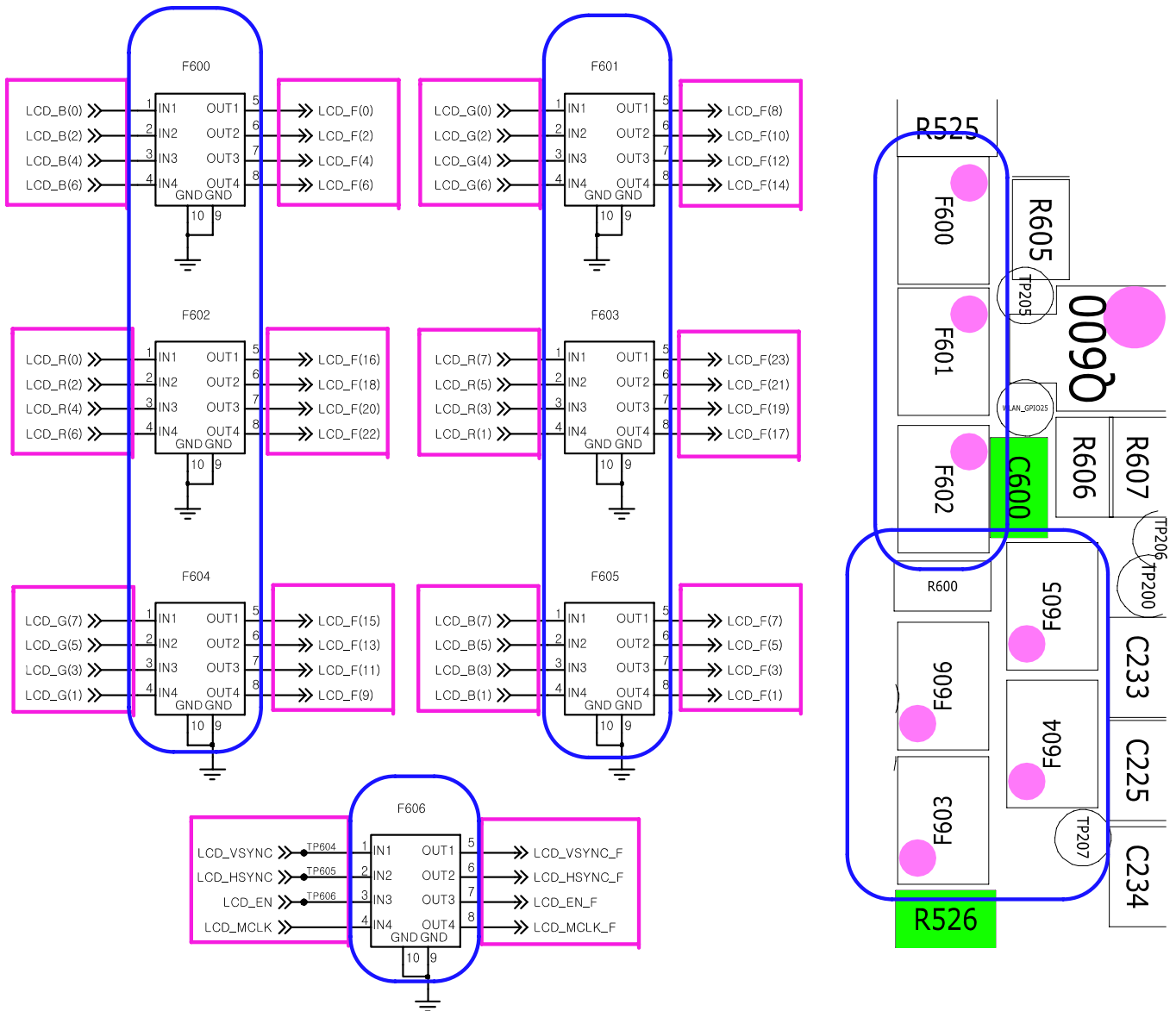


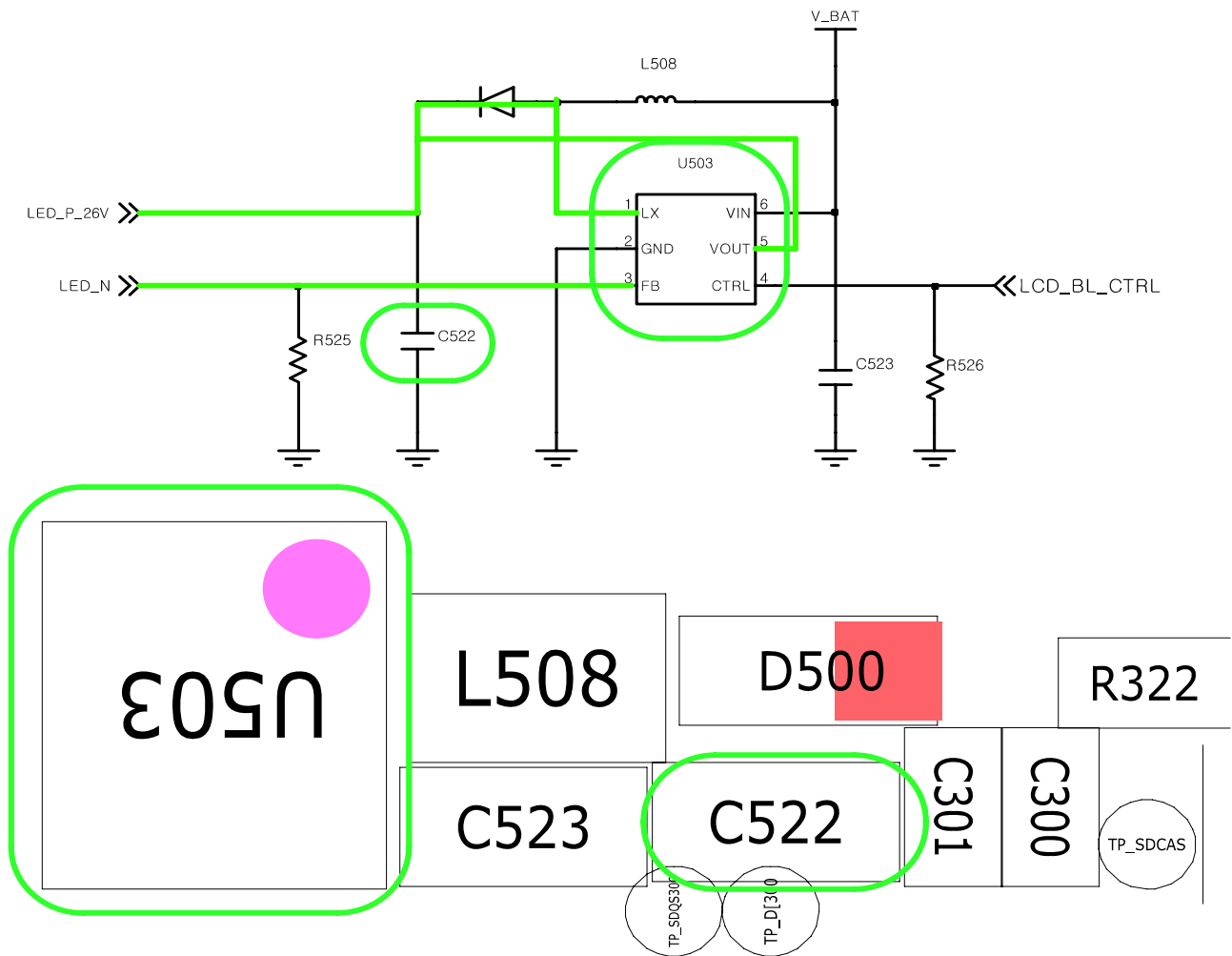




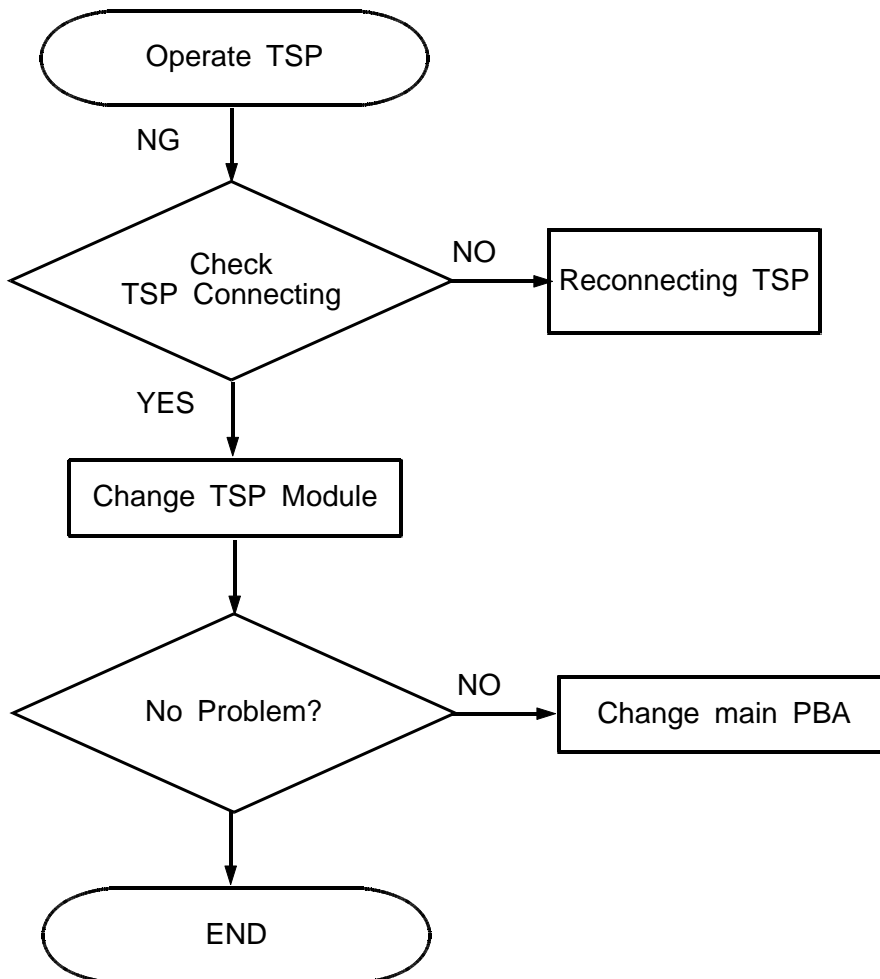
8-3-2. LCD Working





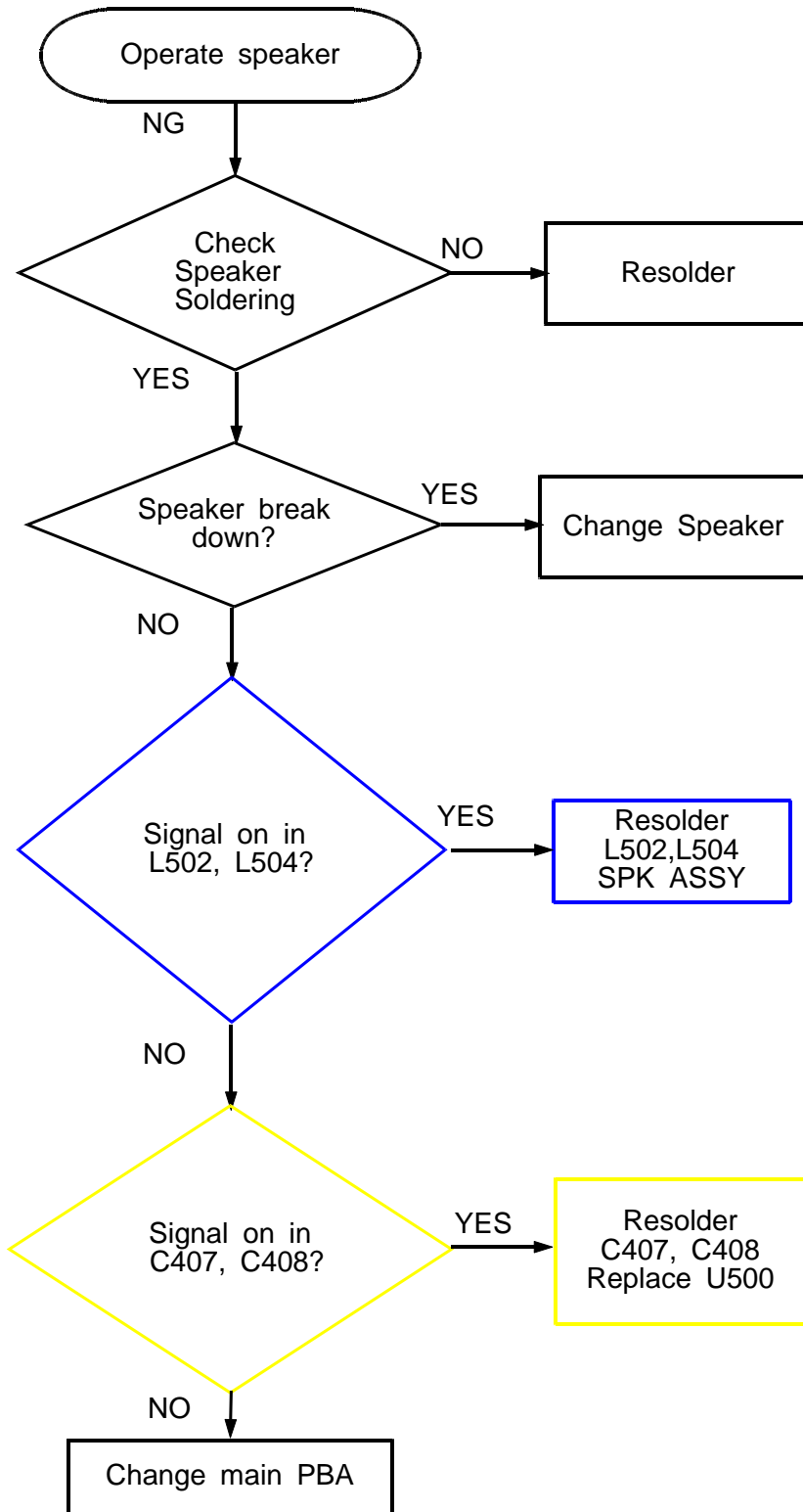


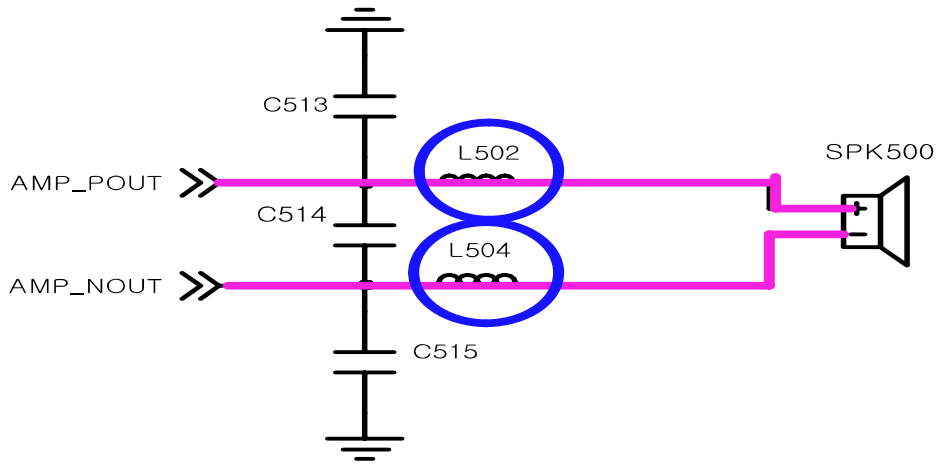
8-3-3. TSP



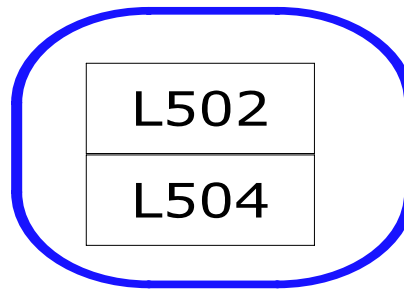
8-3-3. Audio Working

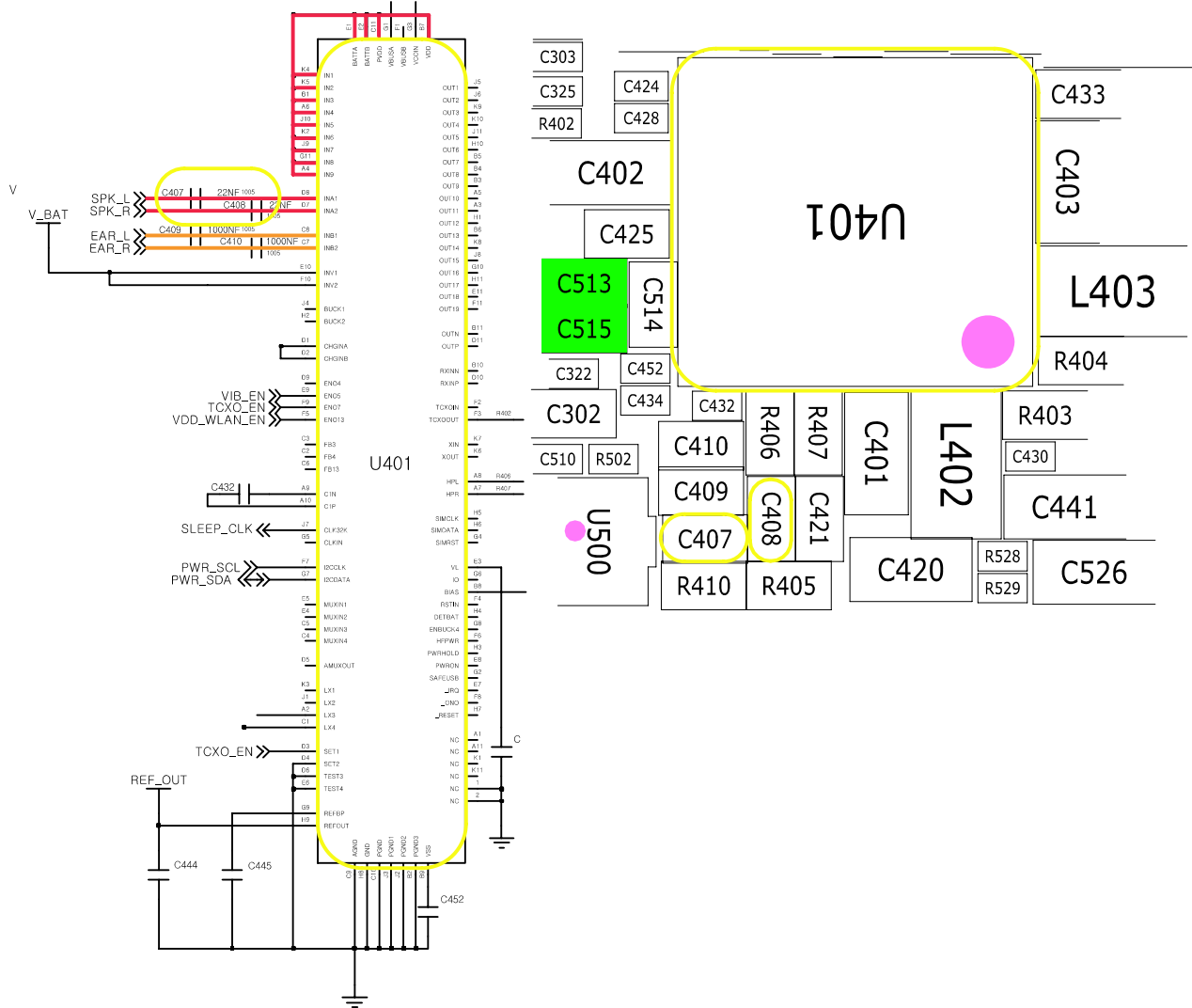
● Speaker Working

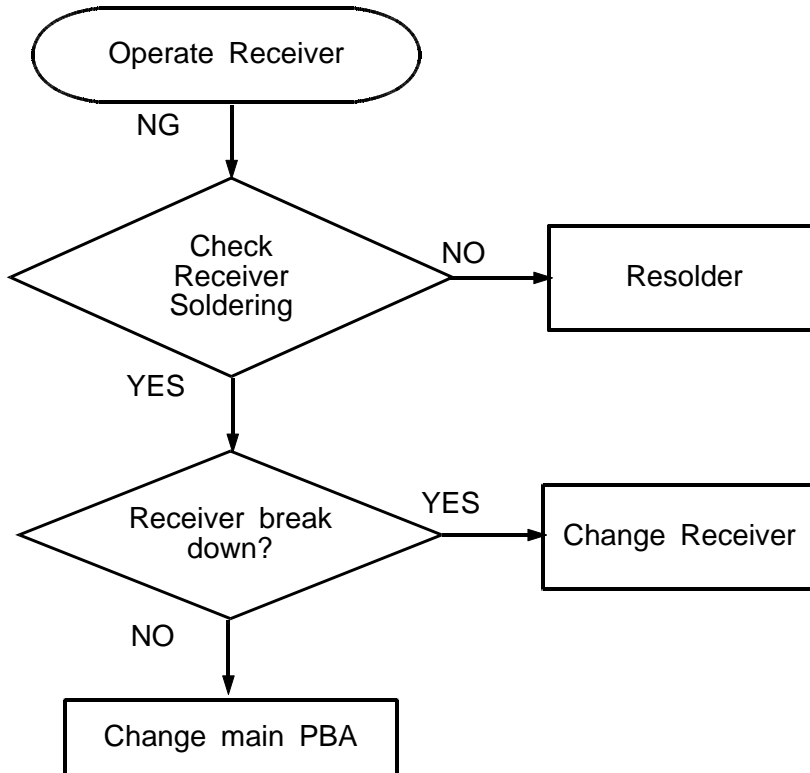




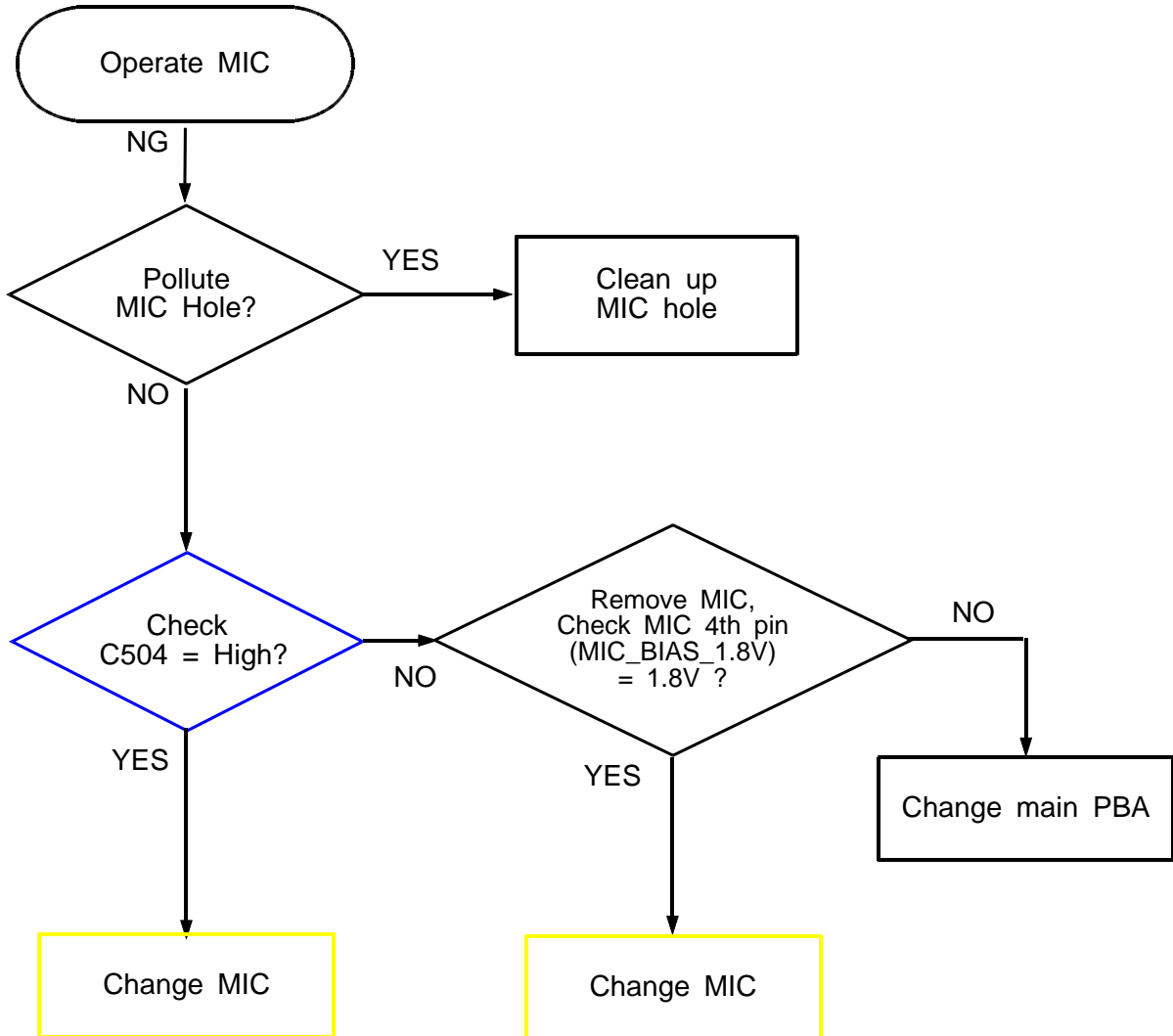
SPK_CON

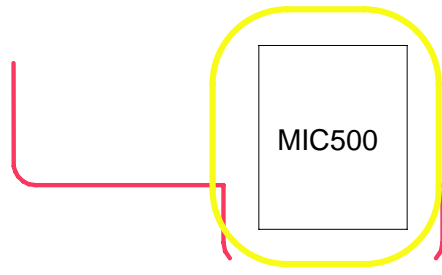
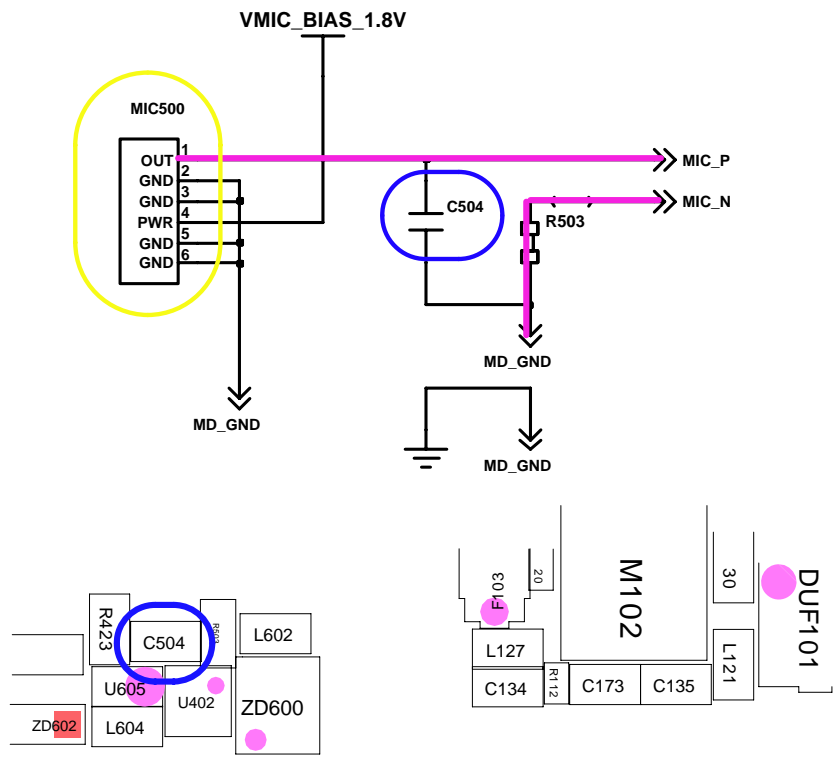




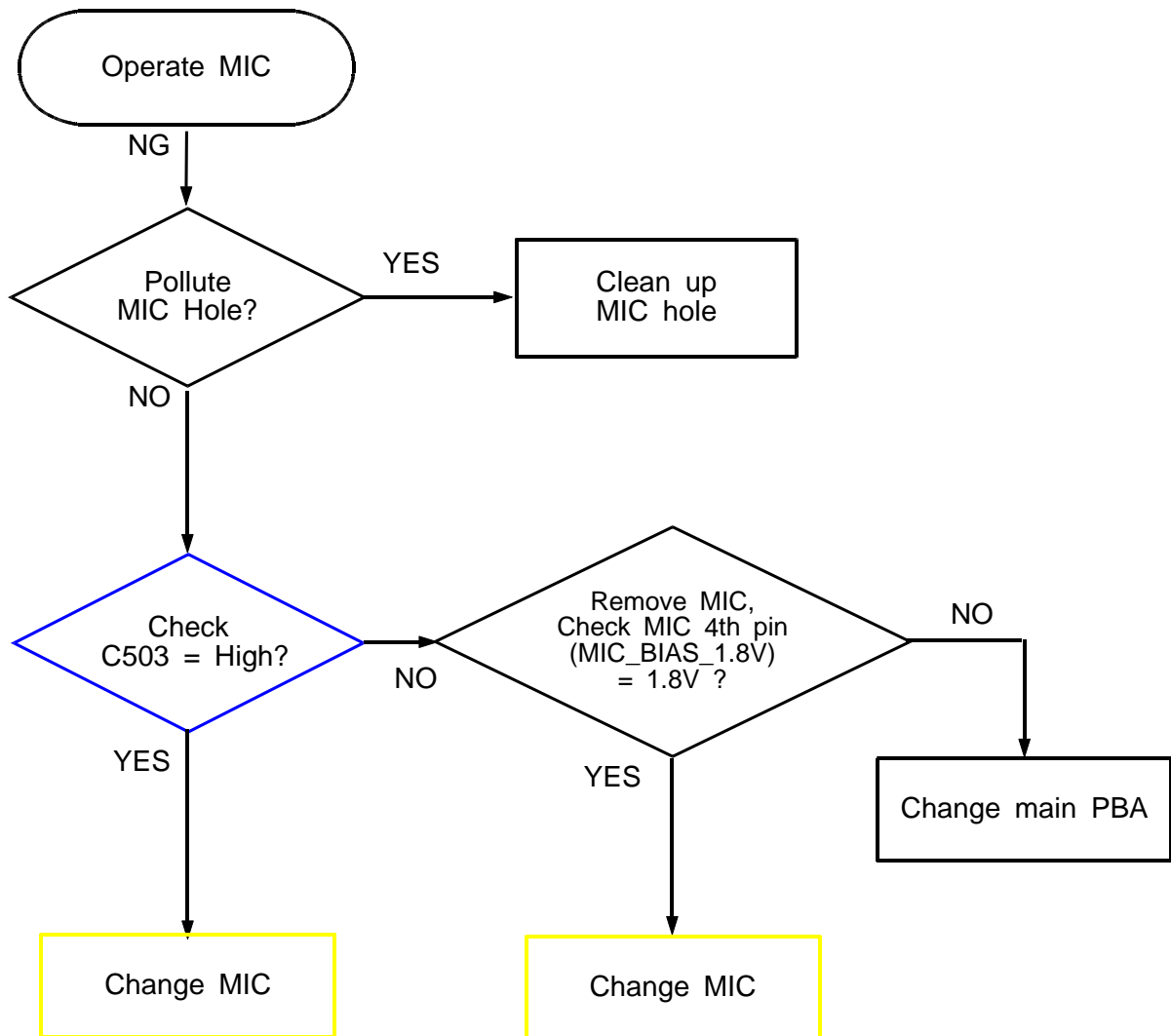
● Receiver Working

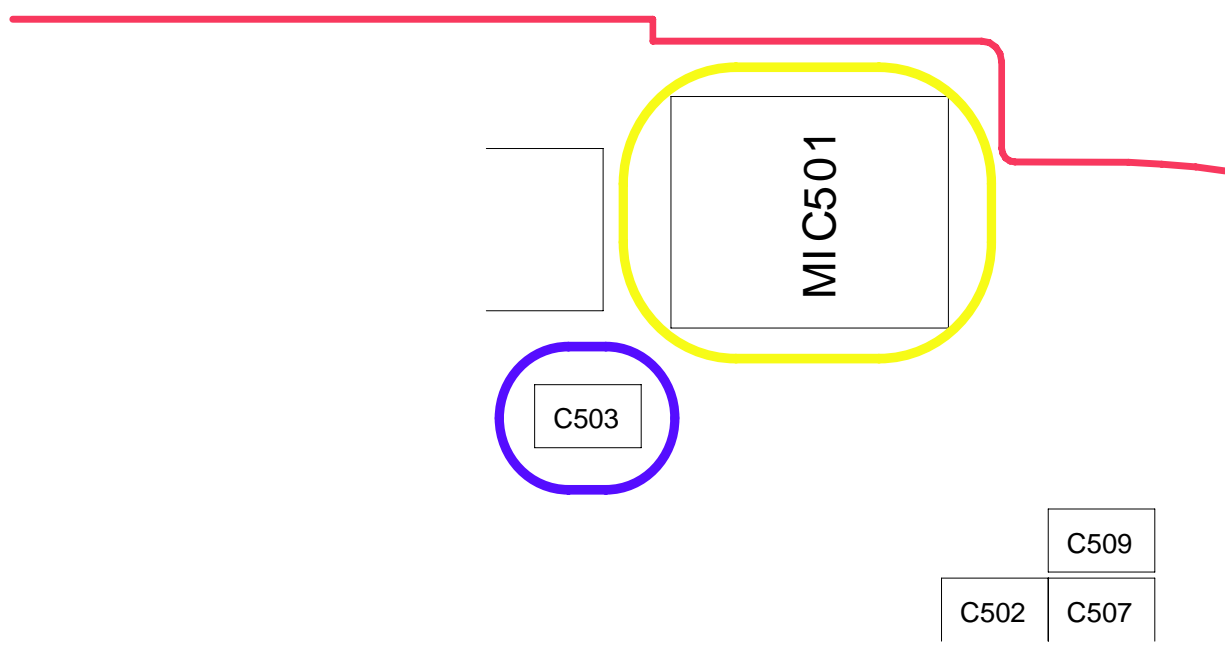
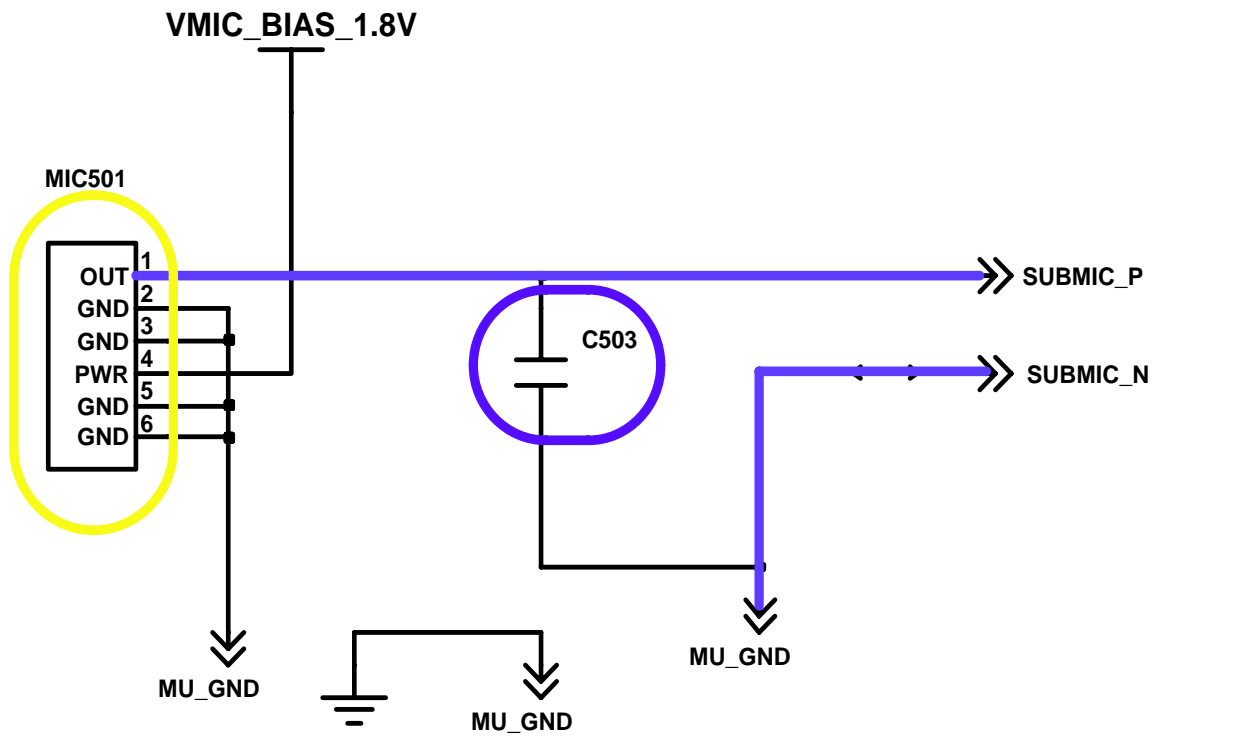
● Main MIC Working



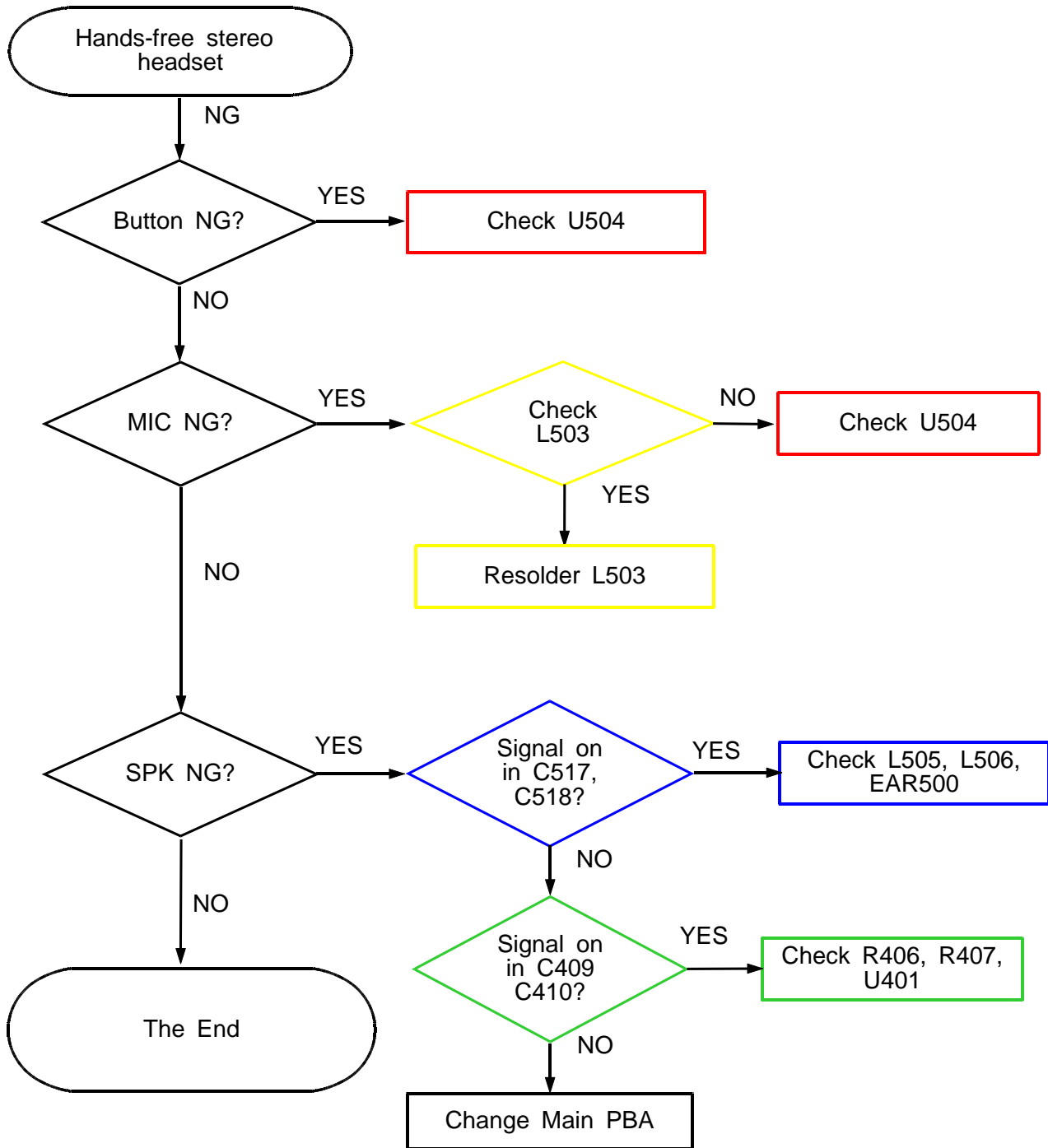


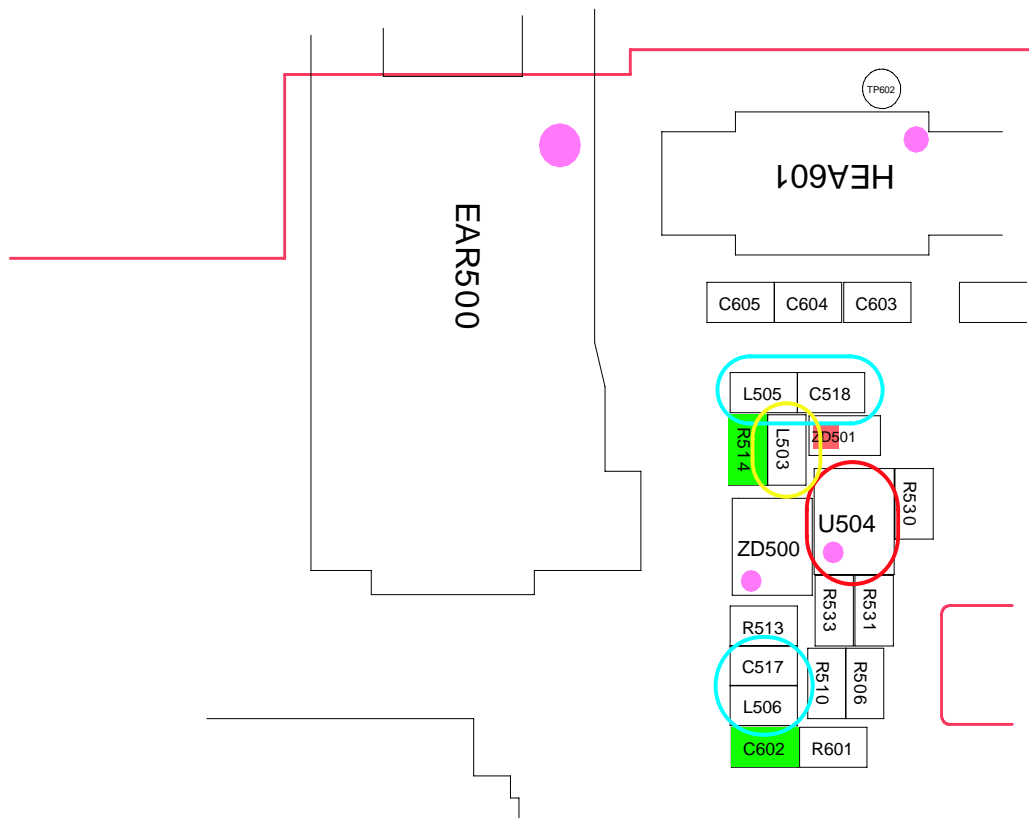
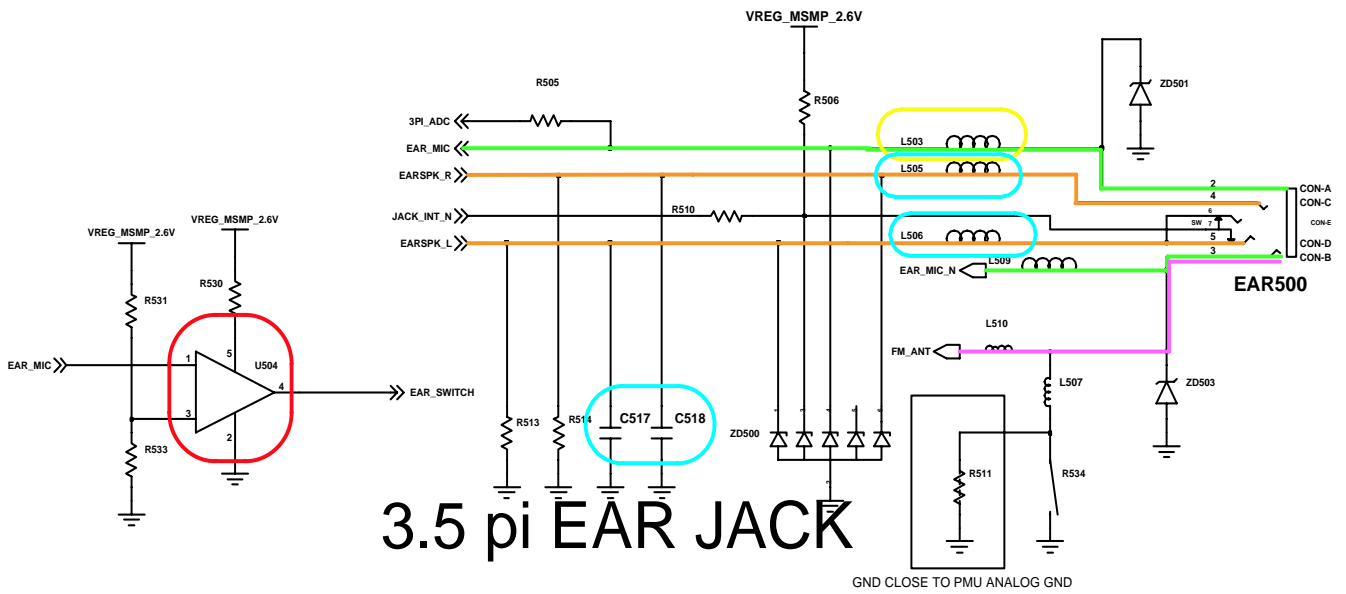
● Sub MIC Working



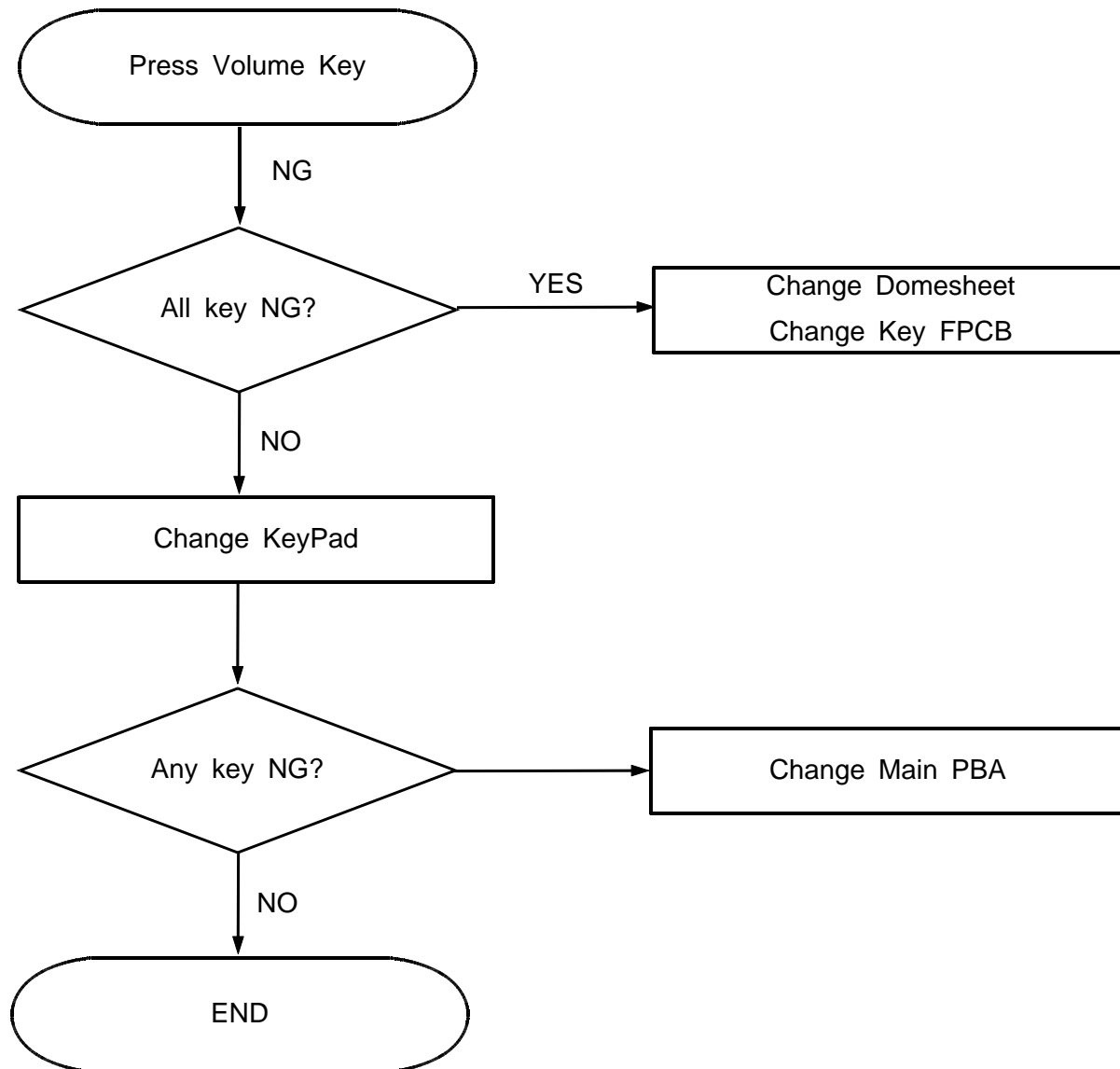


● Stereo Headset Working

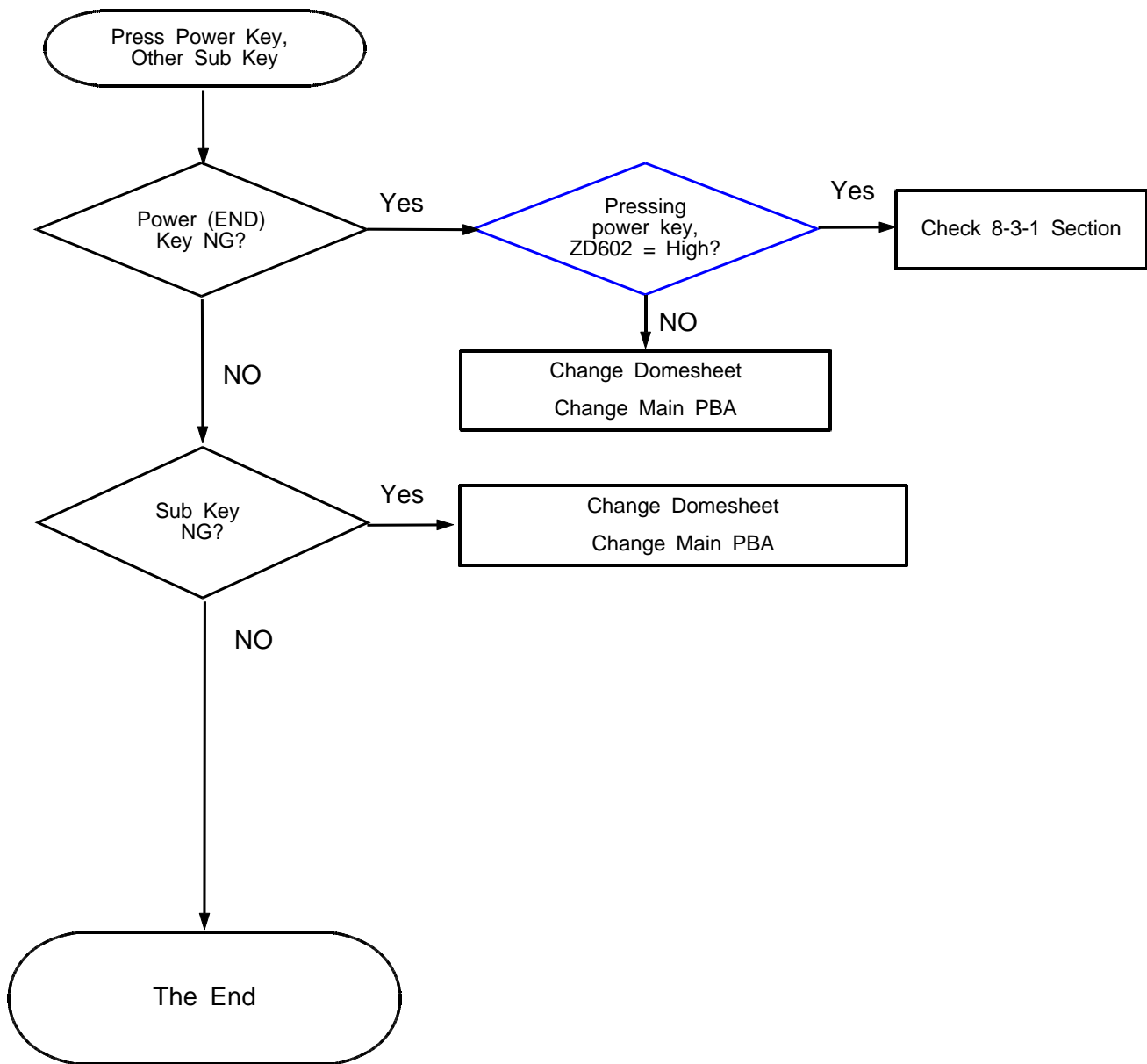


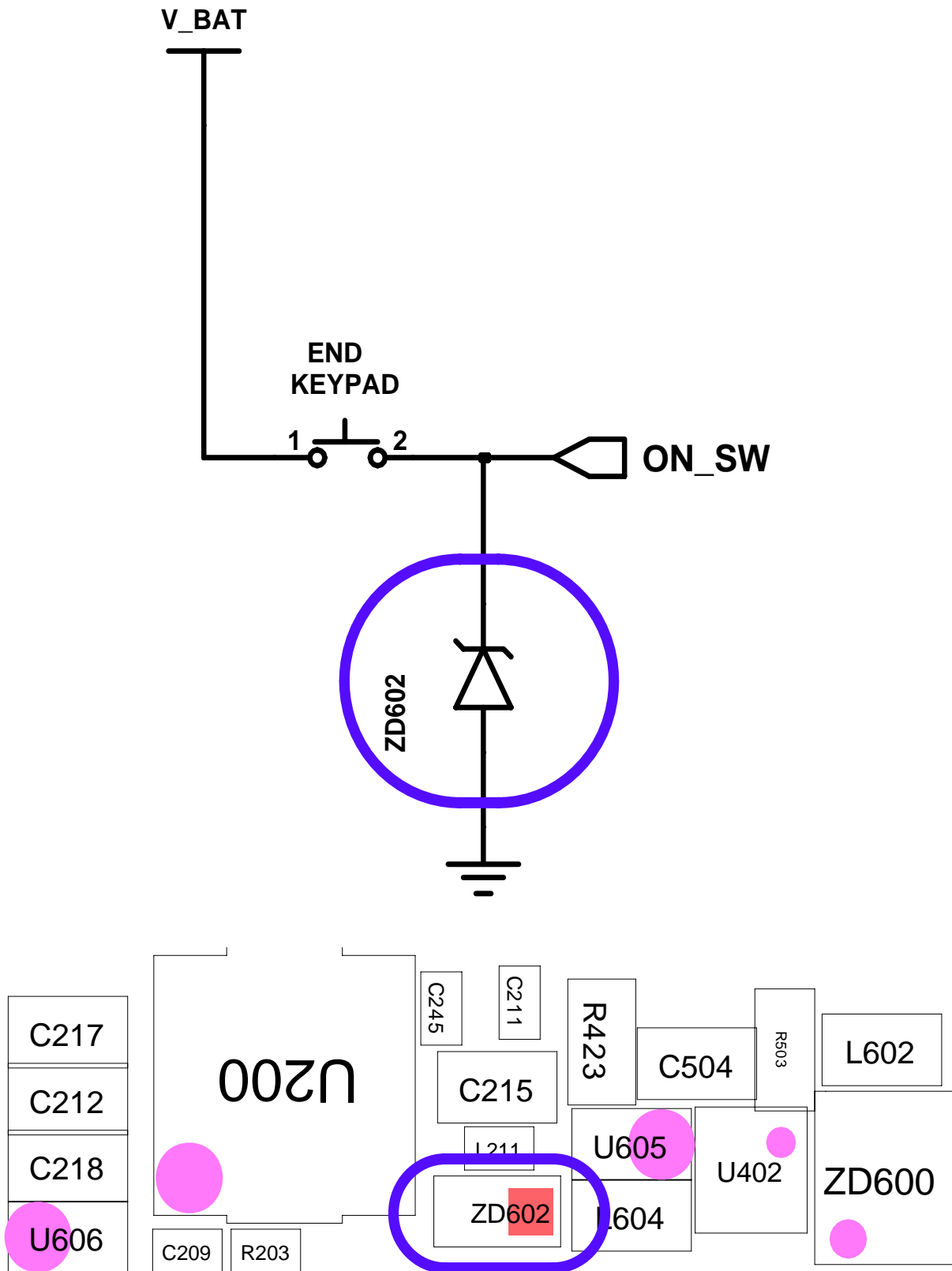


8-3-5. KEY Working

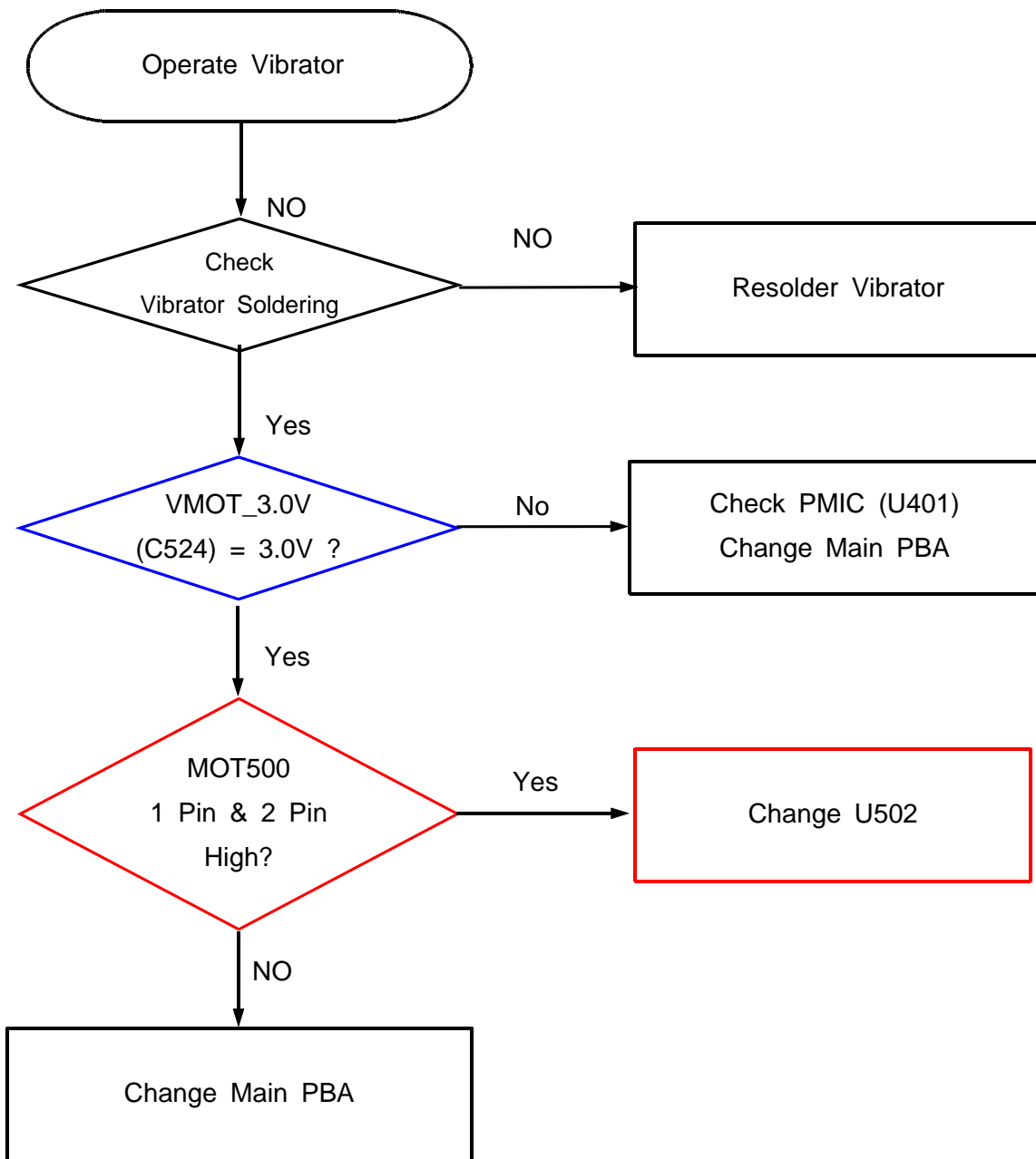
● Volume KEY

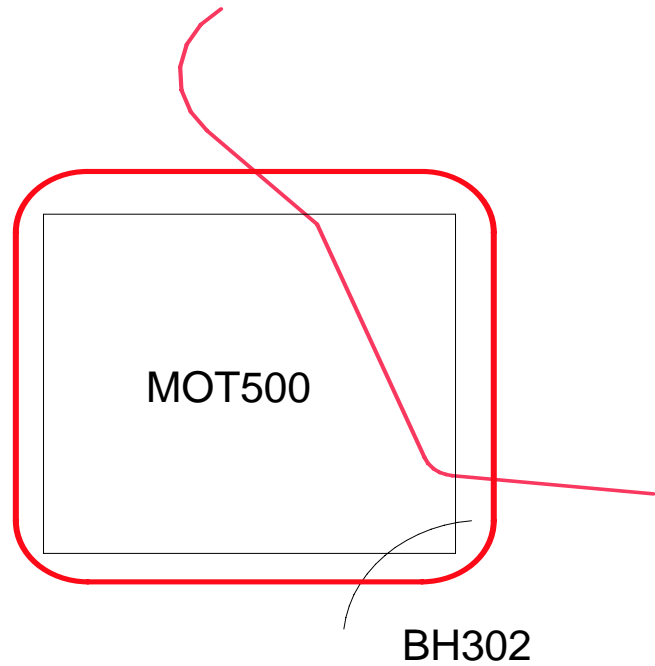
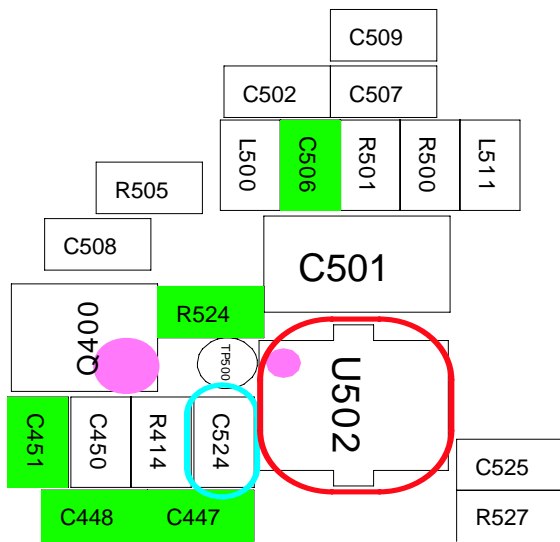
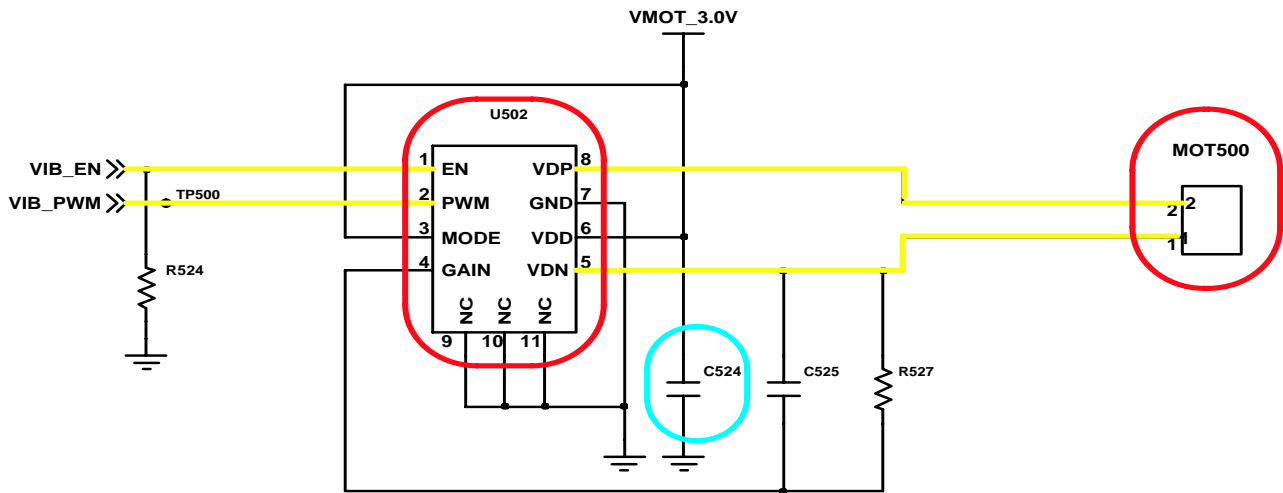
● Sub Key



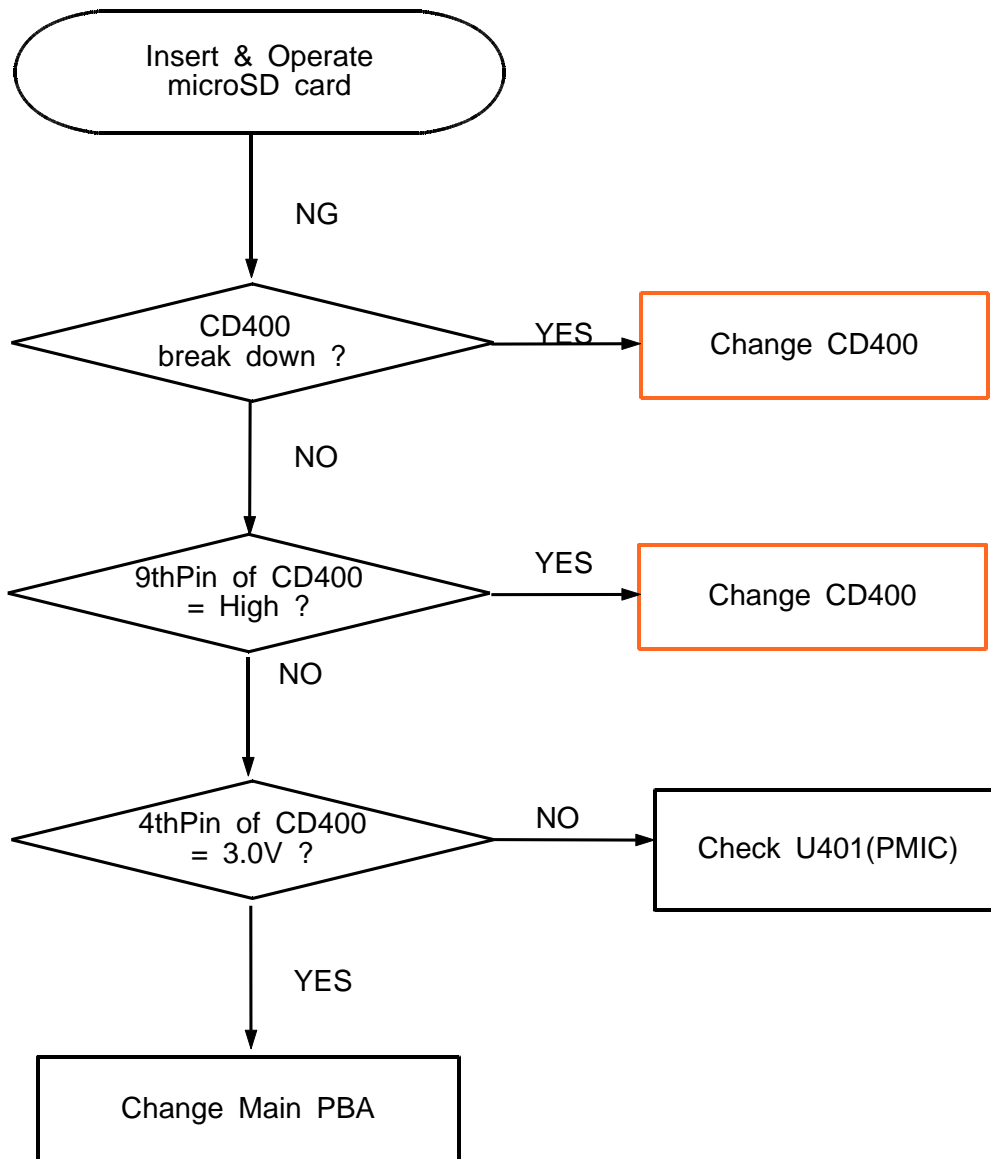


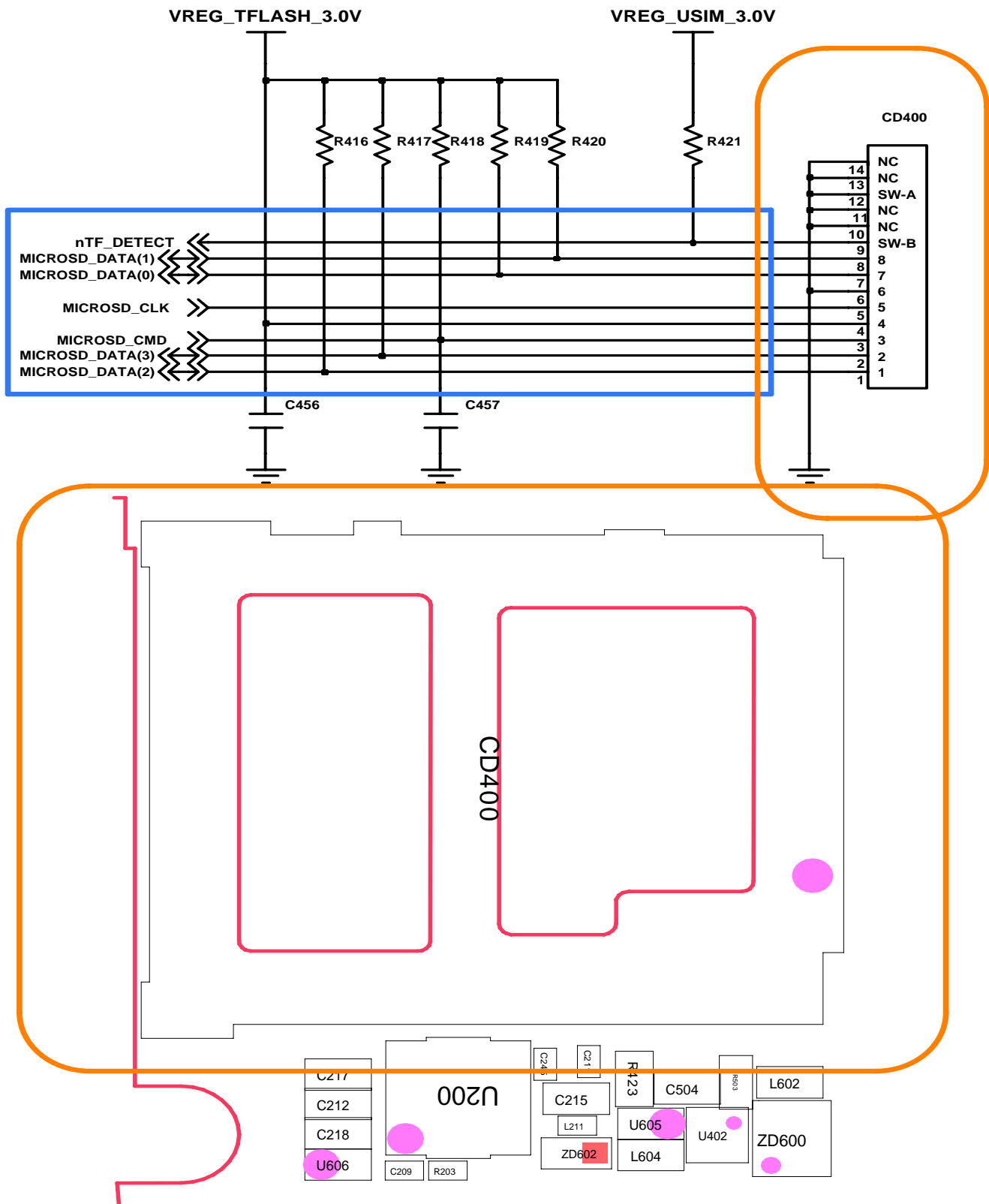
8-3-6. Vibrator Working



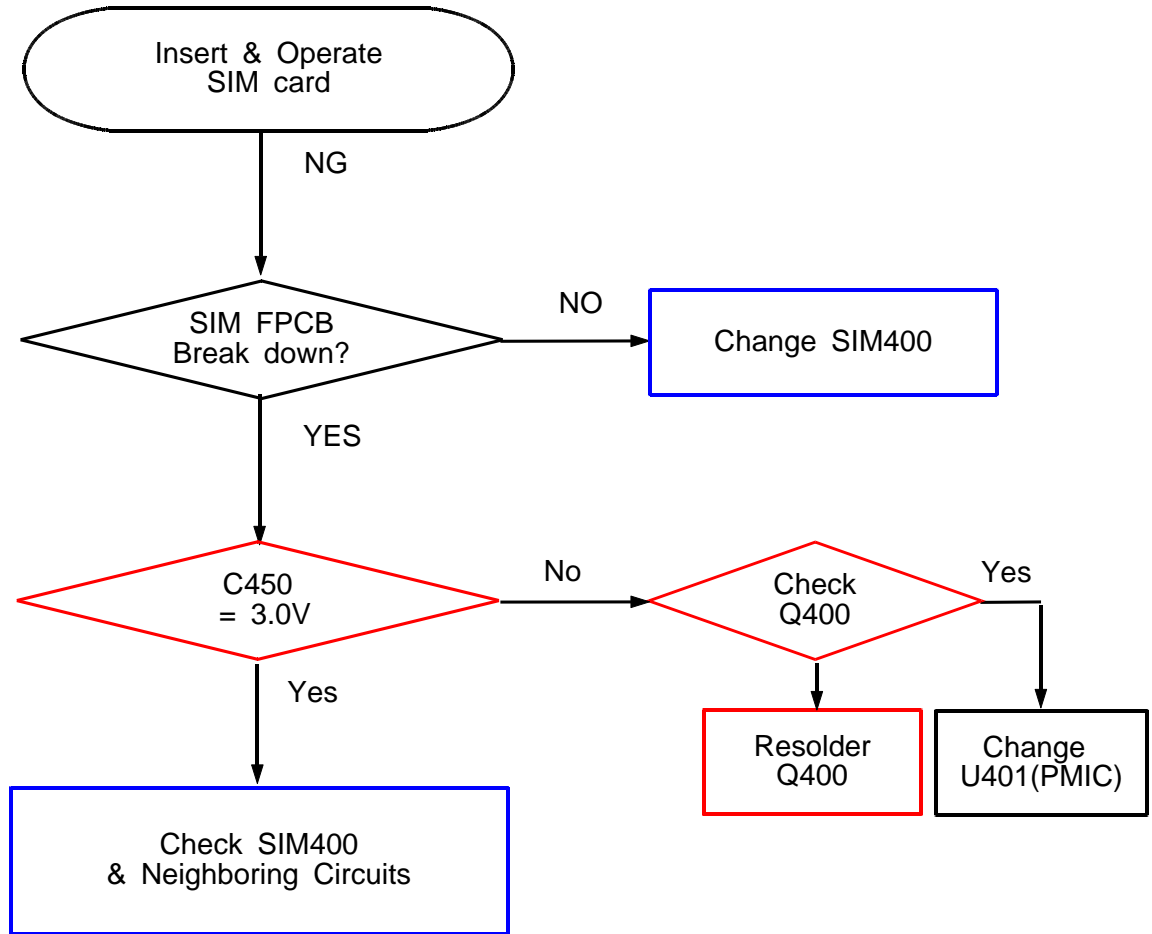


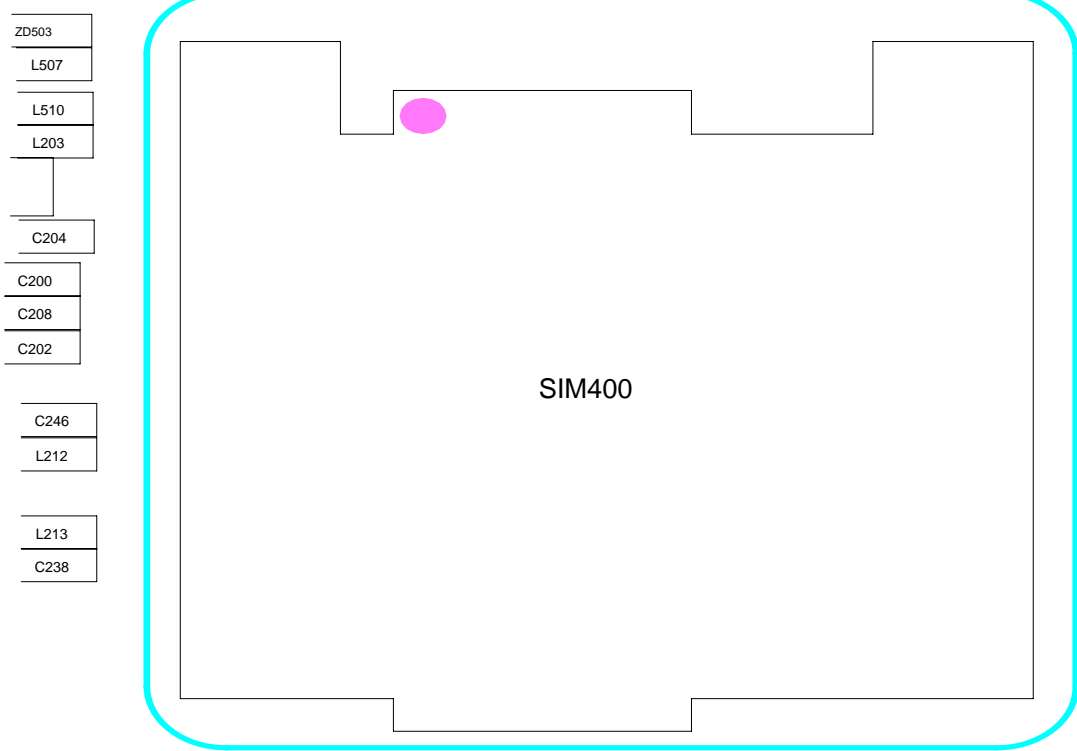
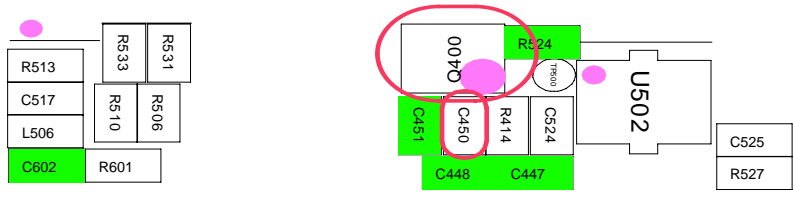
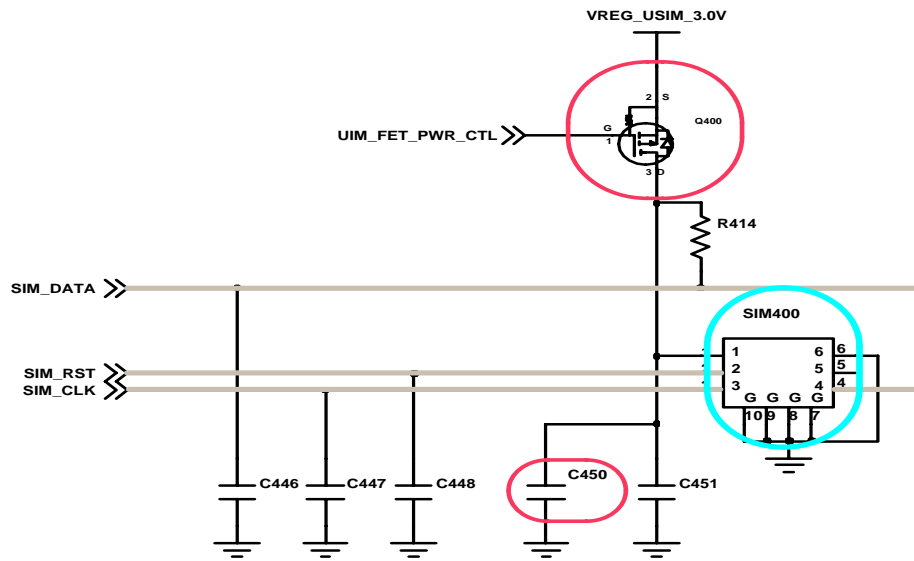
8-3-7. T-Flash Card Working



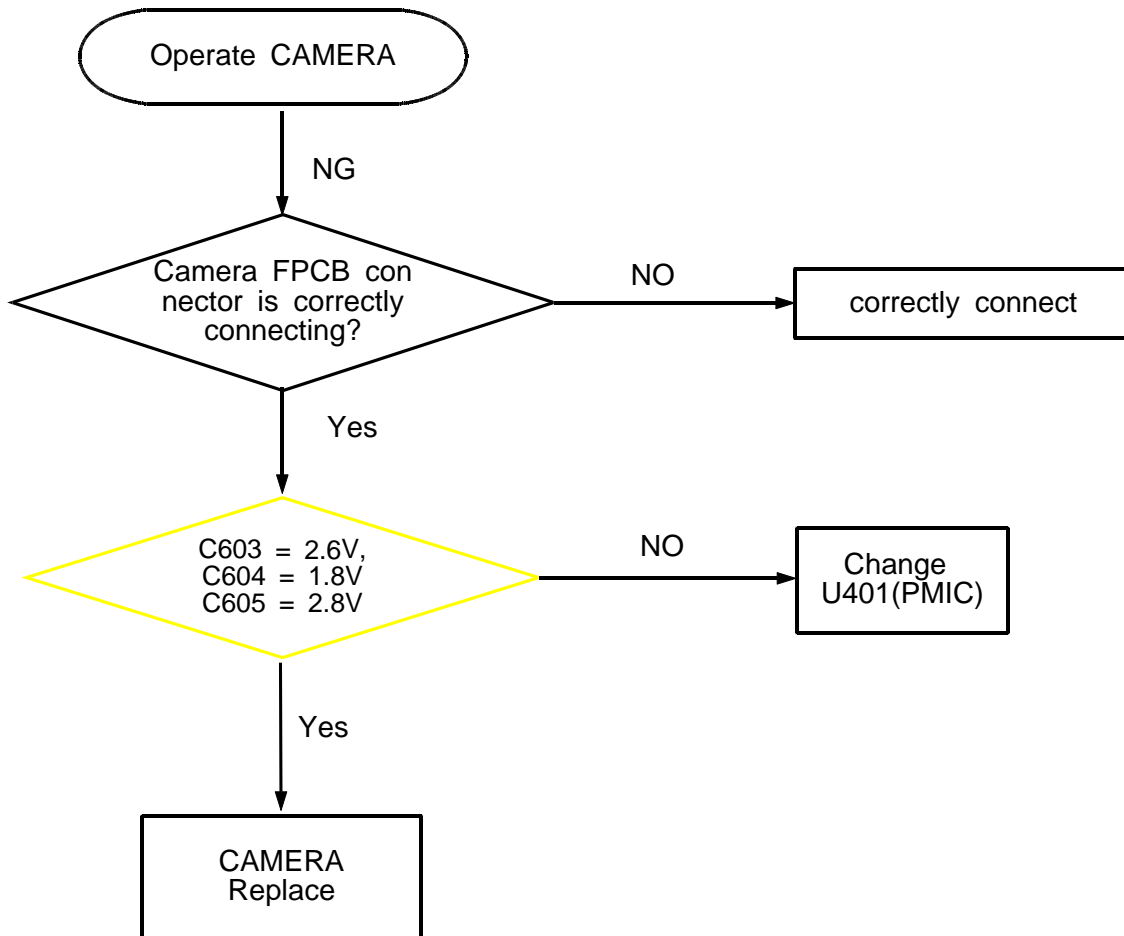


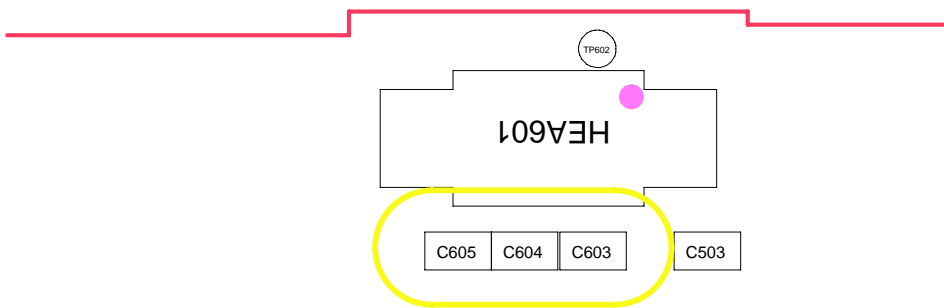
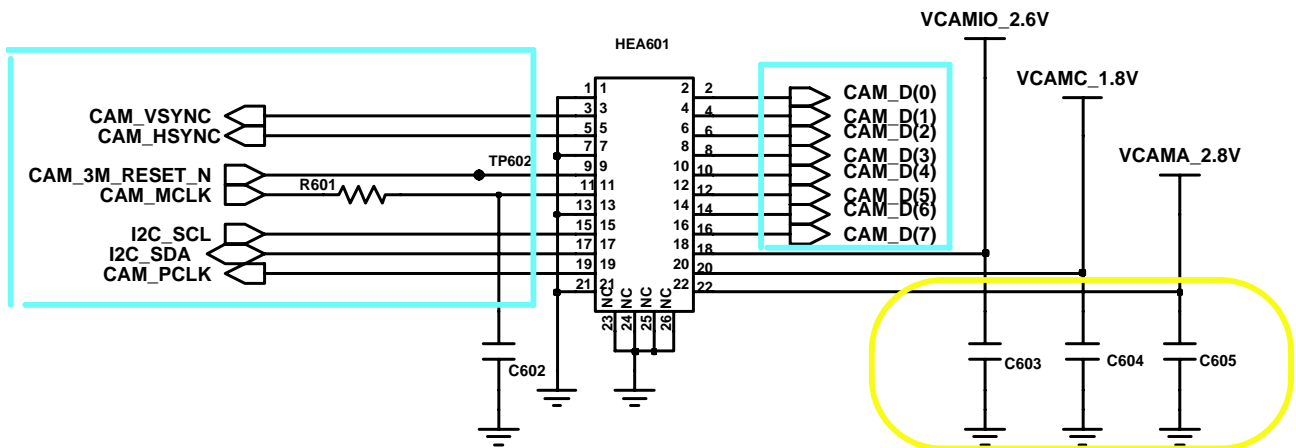
8-3-8. SIM Card Working





8-3-9 CAMERA Working

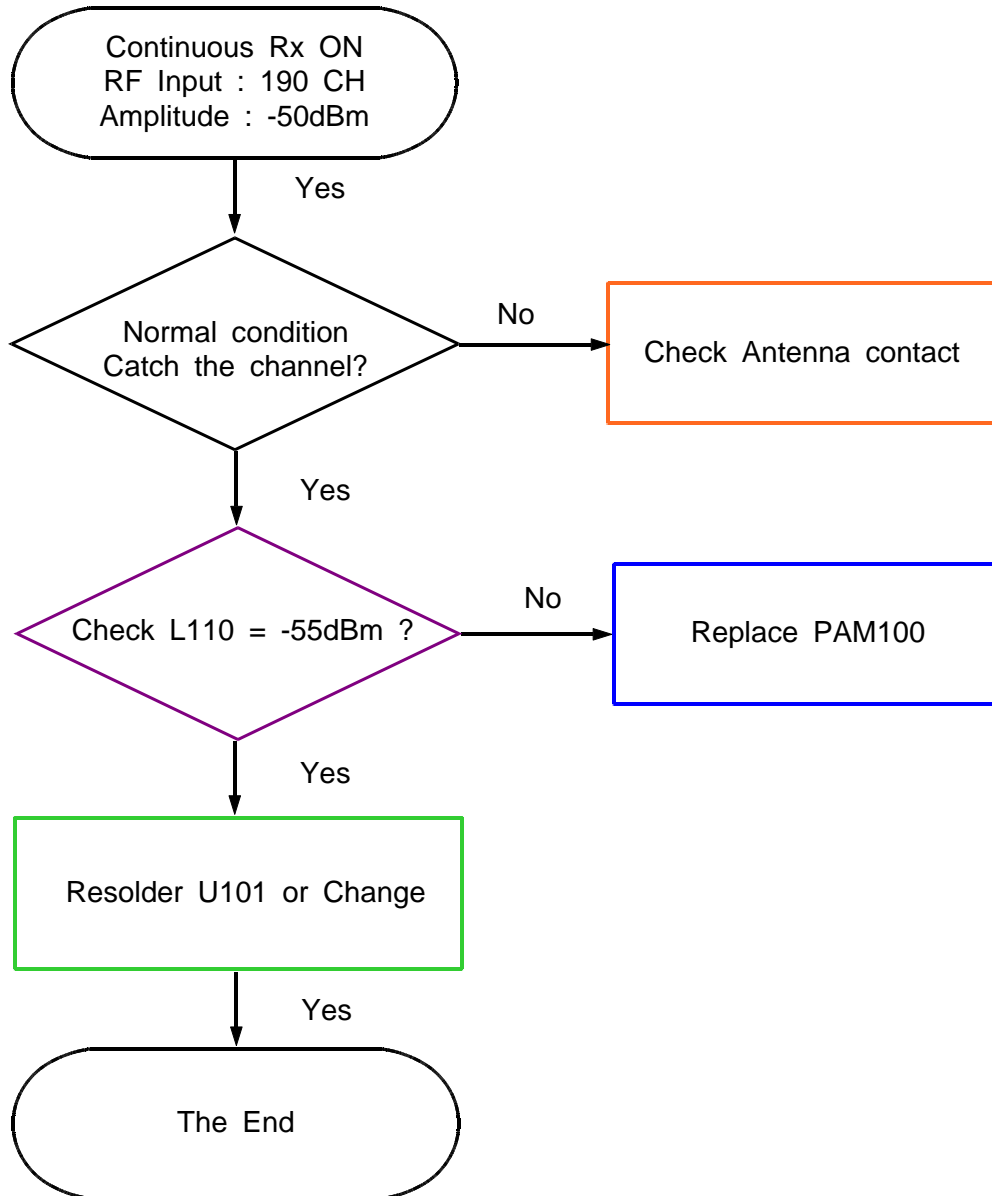




8-4-1. GSM850 RX

**If you check the tx chain,

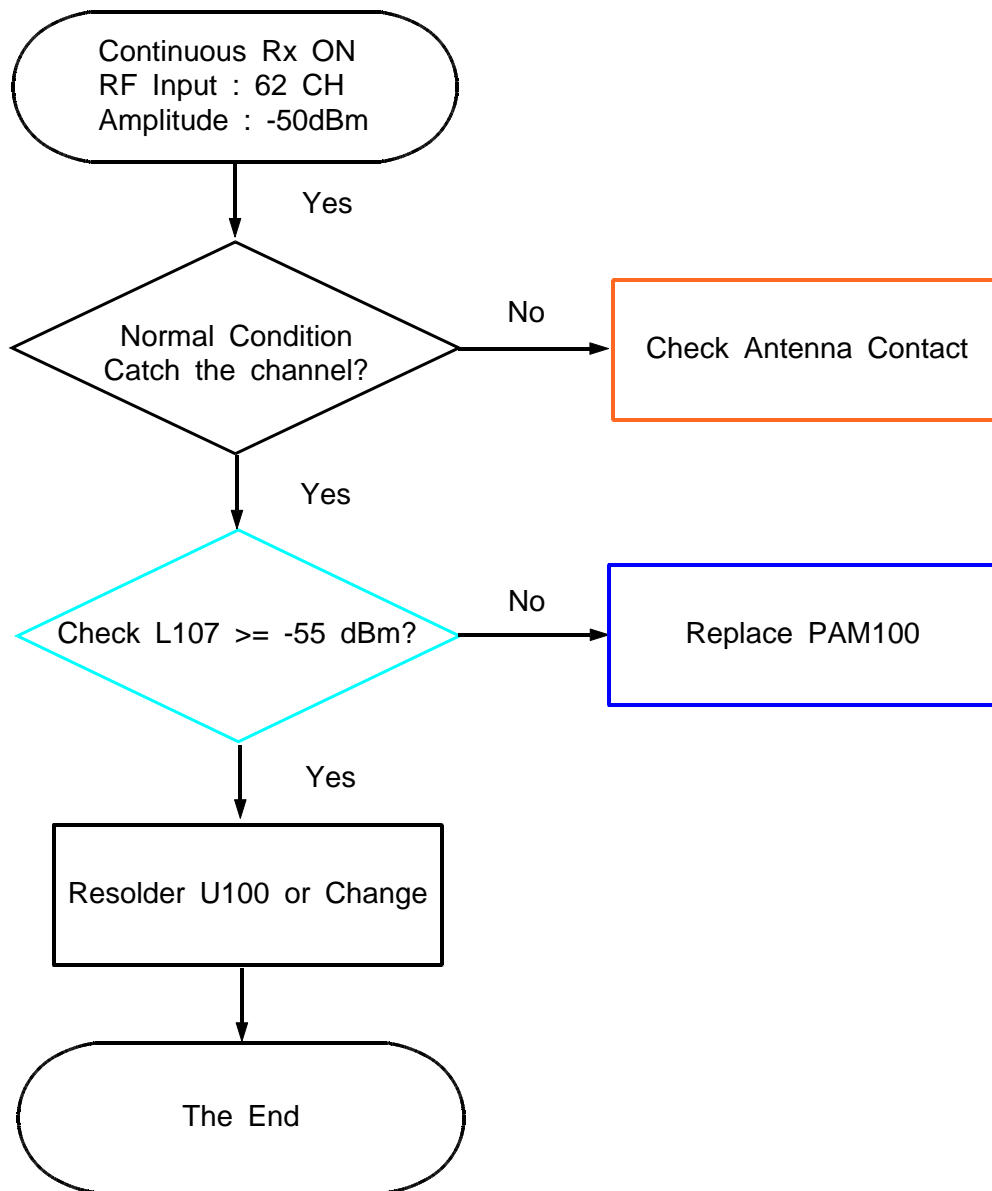
Check the not only RF Device but also resistor, inductor and capacitor.



8-4-2. GSM900 RX

**If you check the tx chain,

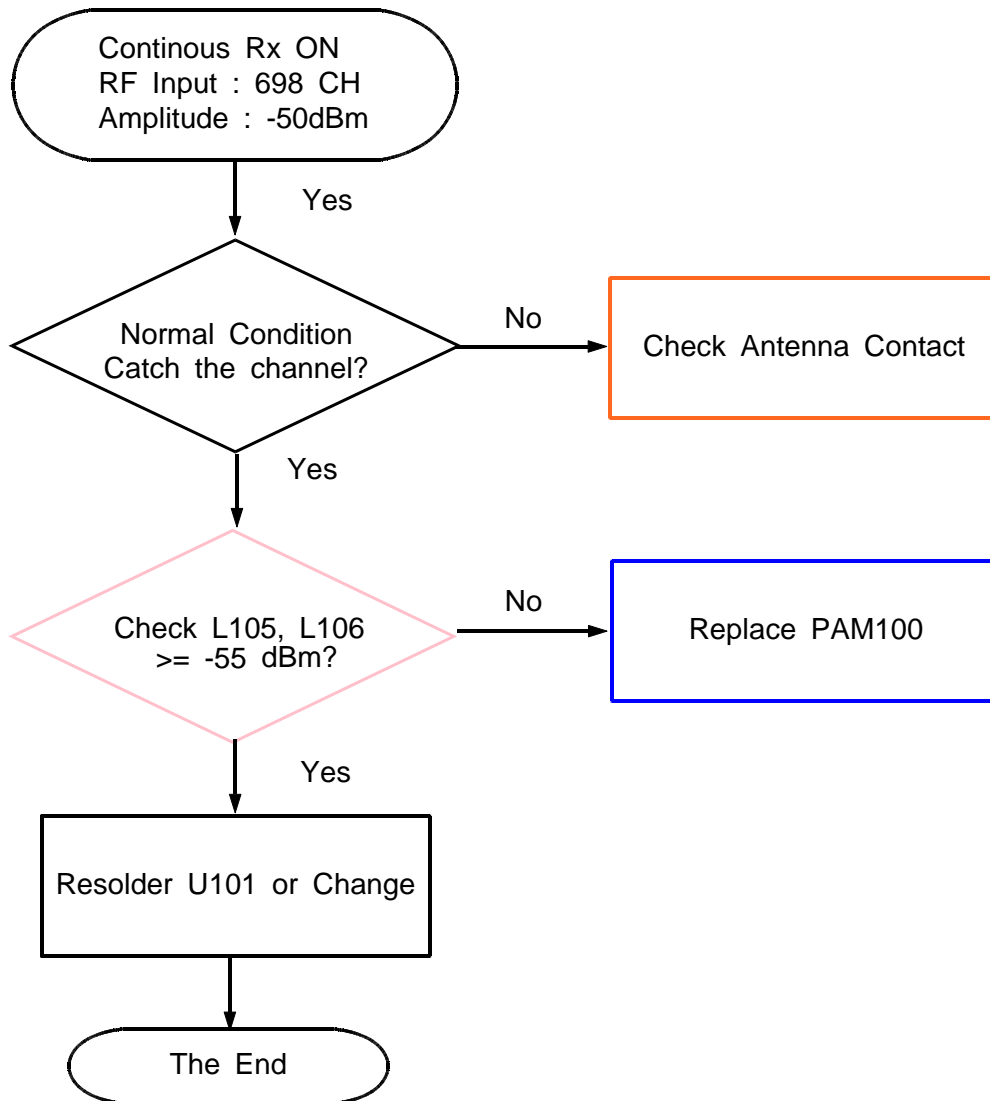
Check the not only RF Device but also resistor, inductor and capacitor.

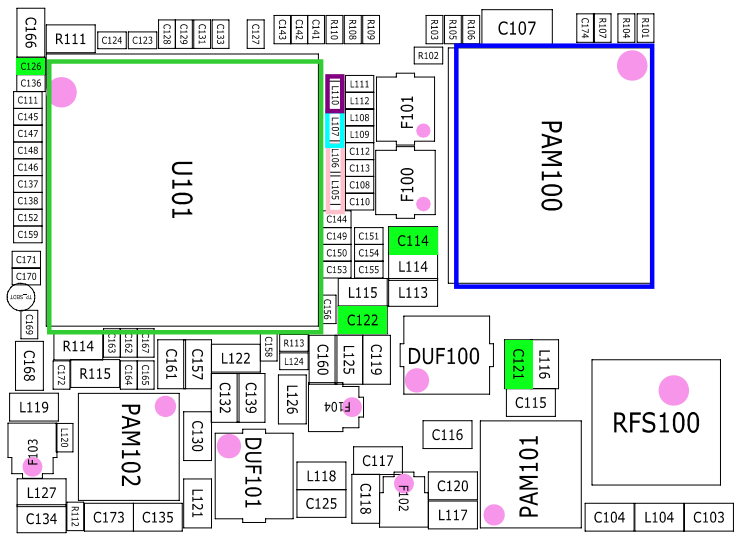
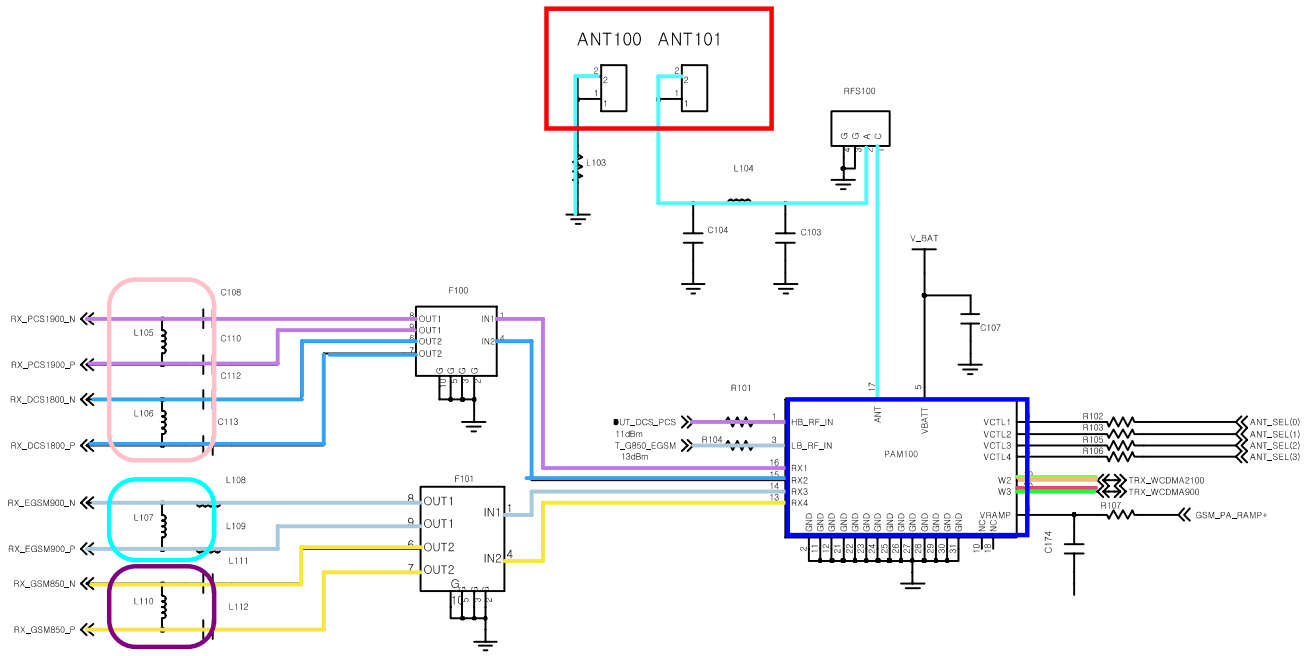


8-4-3. DCS/PCS RX

**If you check the tx chain,

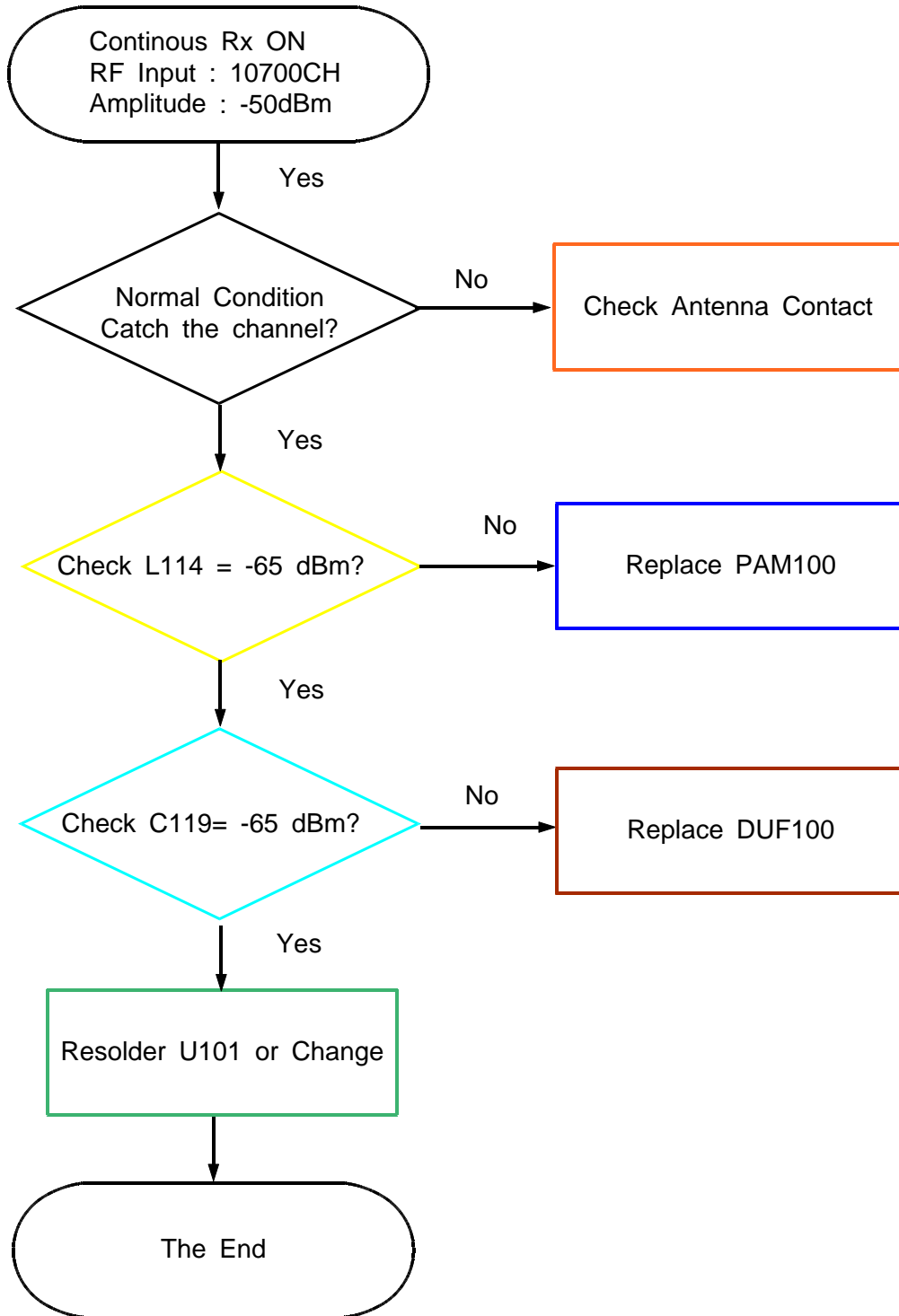
Check the not only RF Device but also resistor, inductor and capacitor.





8-4-4. WCDMA Band1 RX

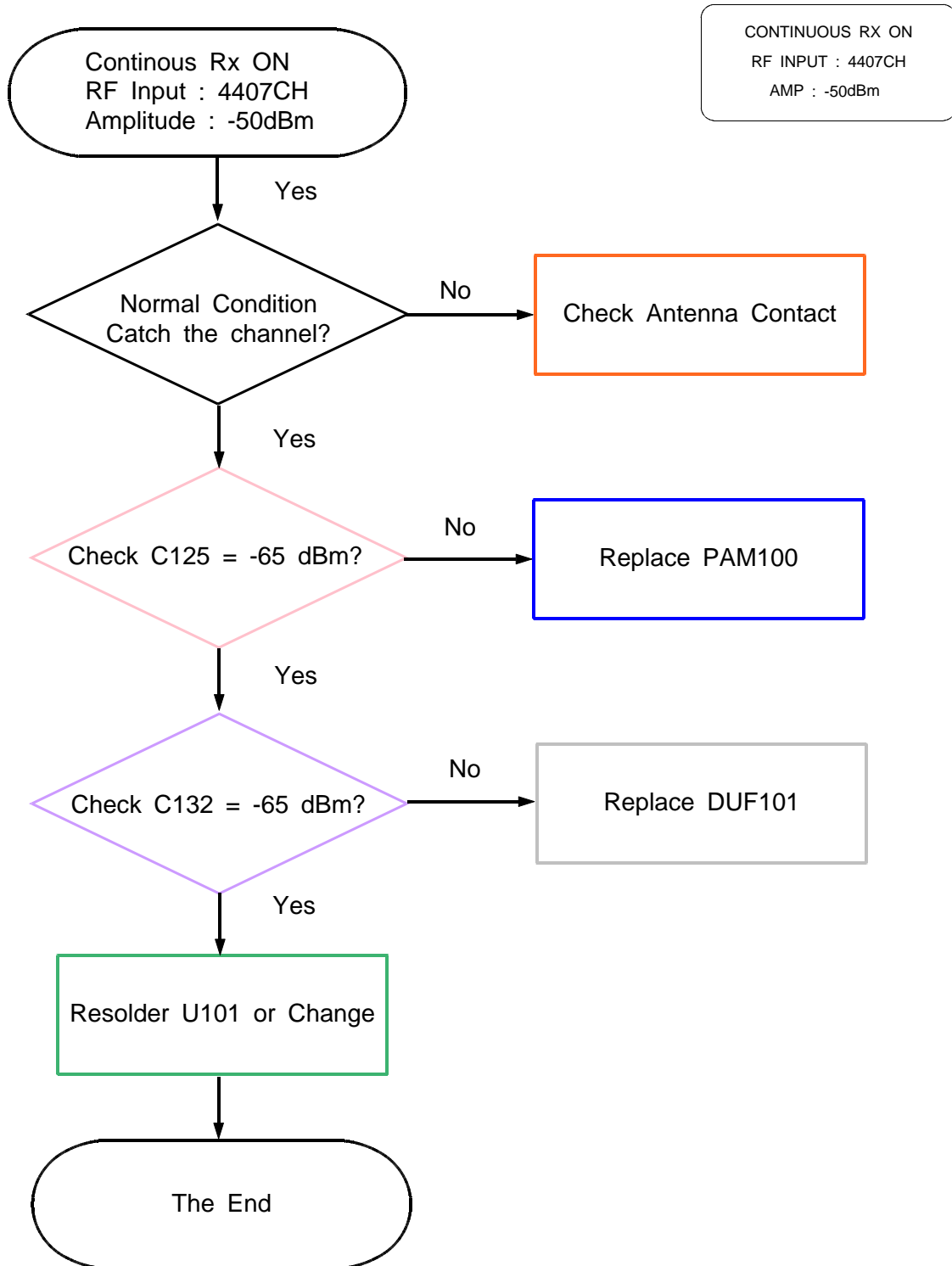
**If you check the tx chain,
Check the not only RF Device but also resistor, inductor and capacitor.

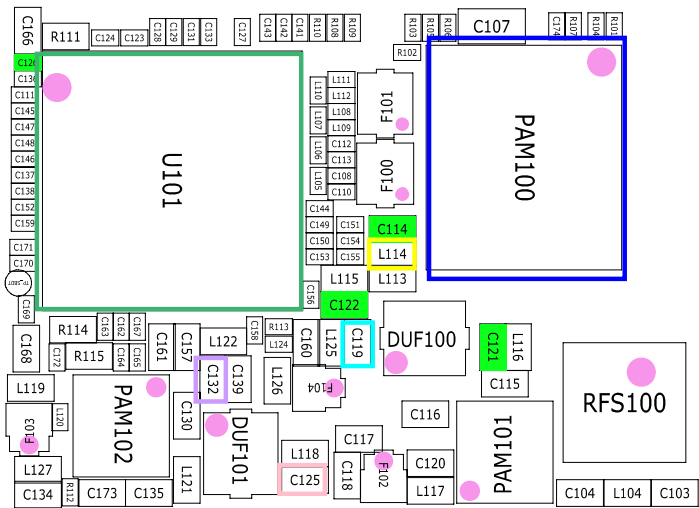
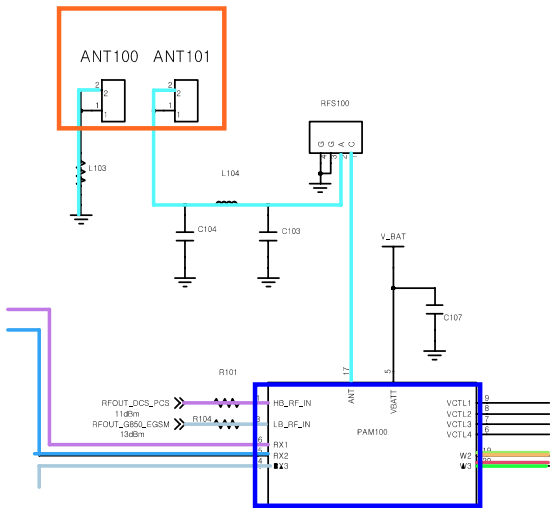
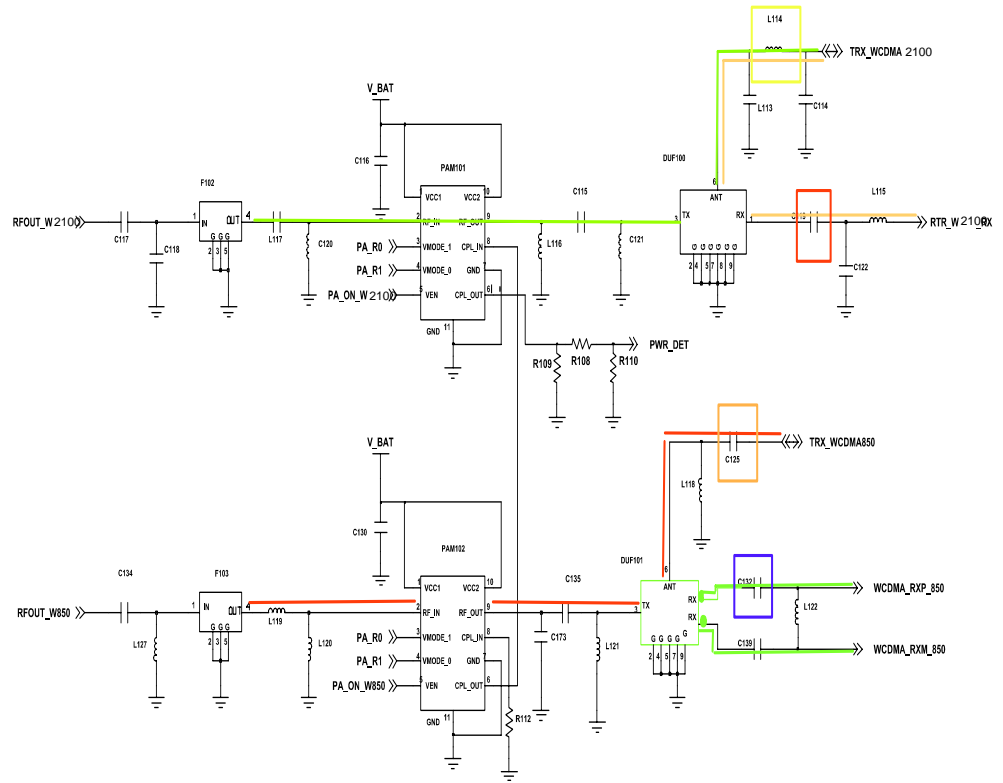


8-4-5. WCDMA Band5 RX

**If you check the tx chain,

Check the not only RF Device but also resistor, inductor and capacitor.

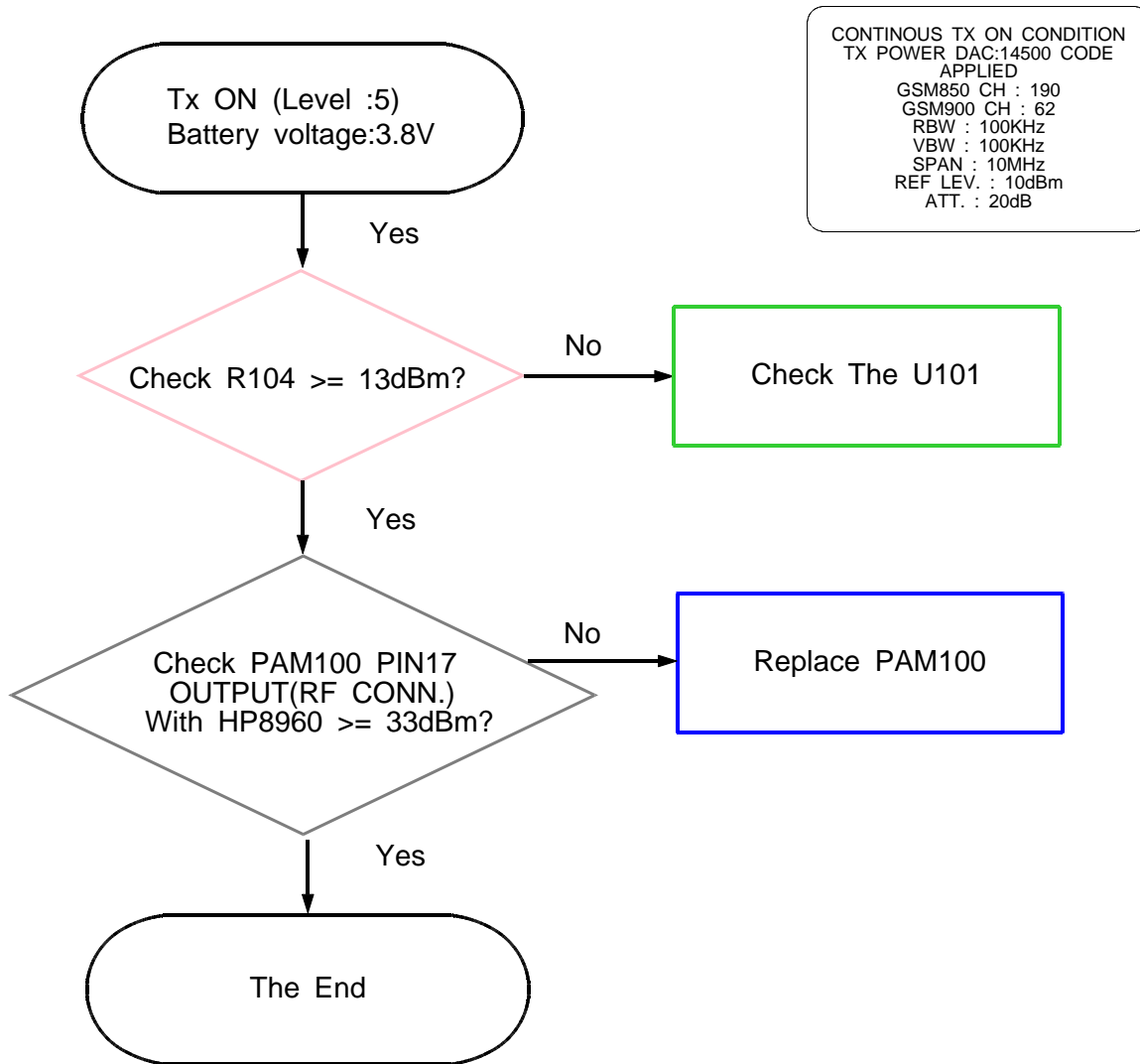




8-4-6. GSM850/900 TX

**If you check the tx chain,

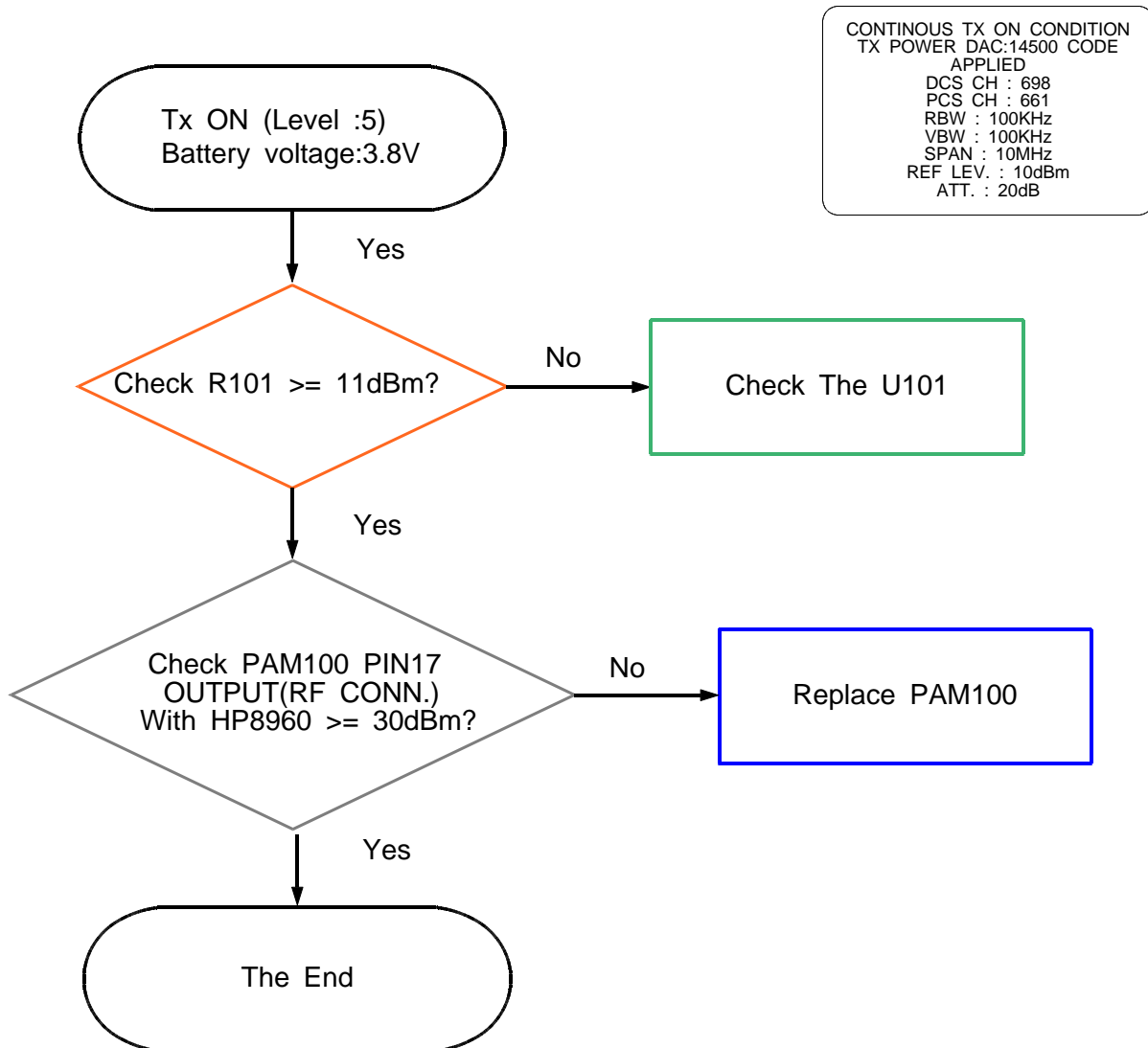
Check the not only RF Device but also resistor, inductor and capacitor.



8-4-7. DCS/PCS TX

**If you check the tx chain,

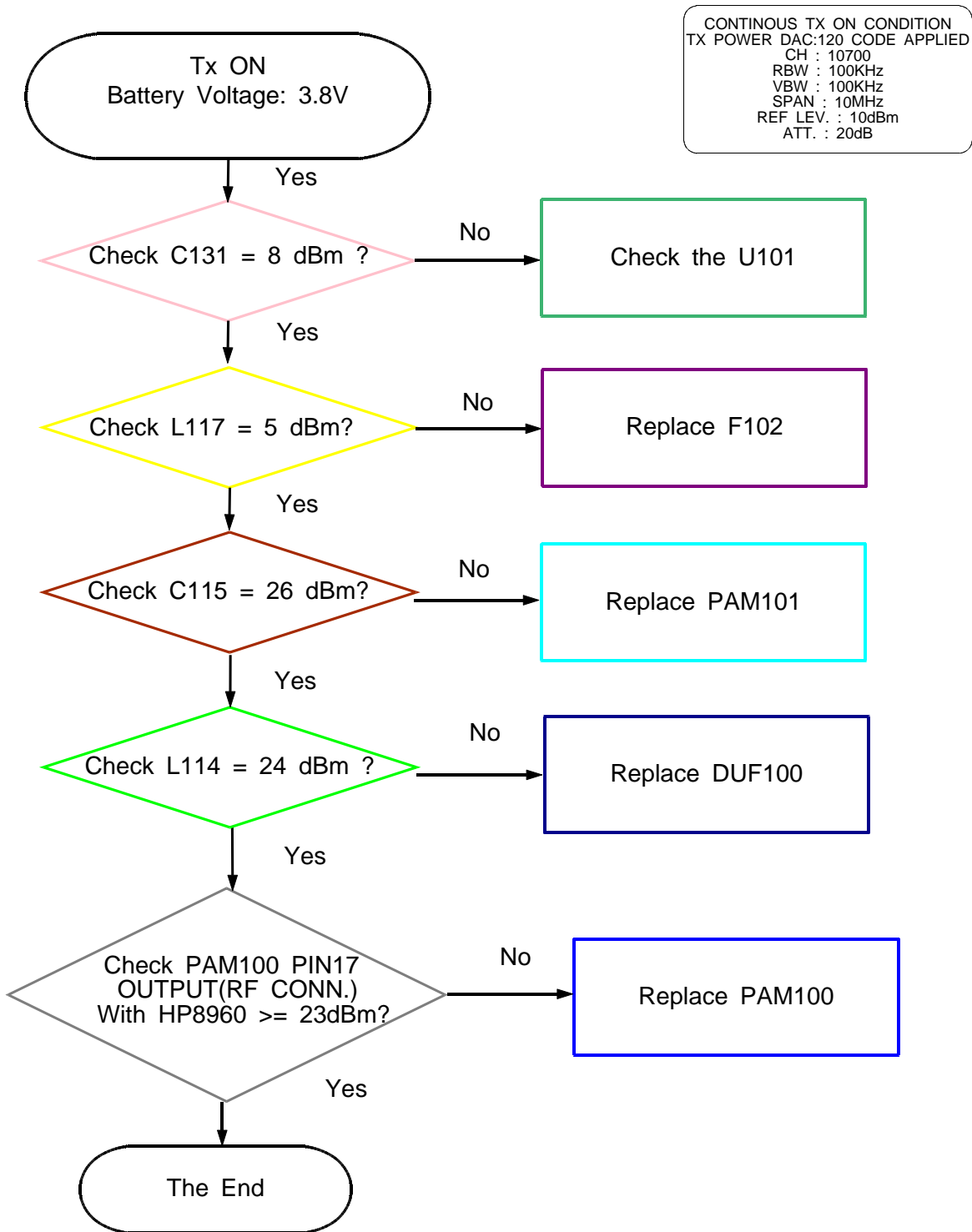
Check the not only RF Device but also resistor, inductor and capacitor.



8-4-8. WCDMA Band1 TX

**If you check the tx chain,

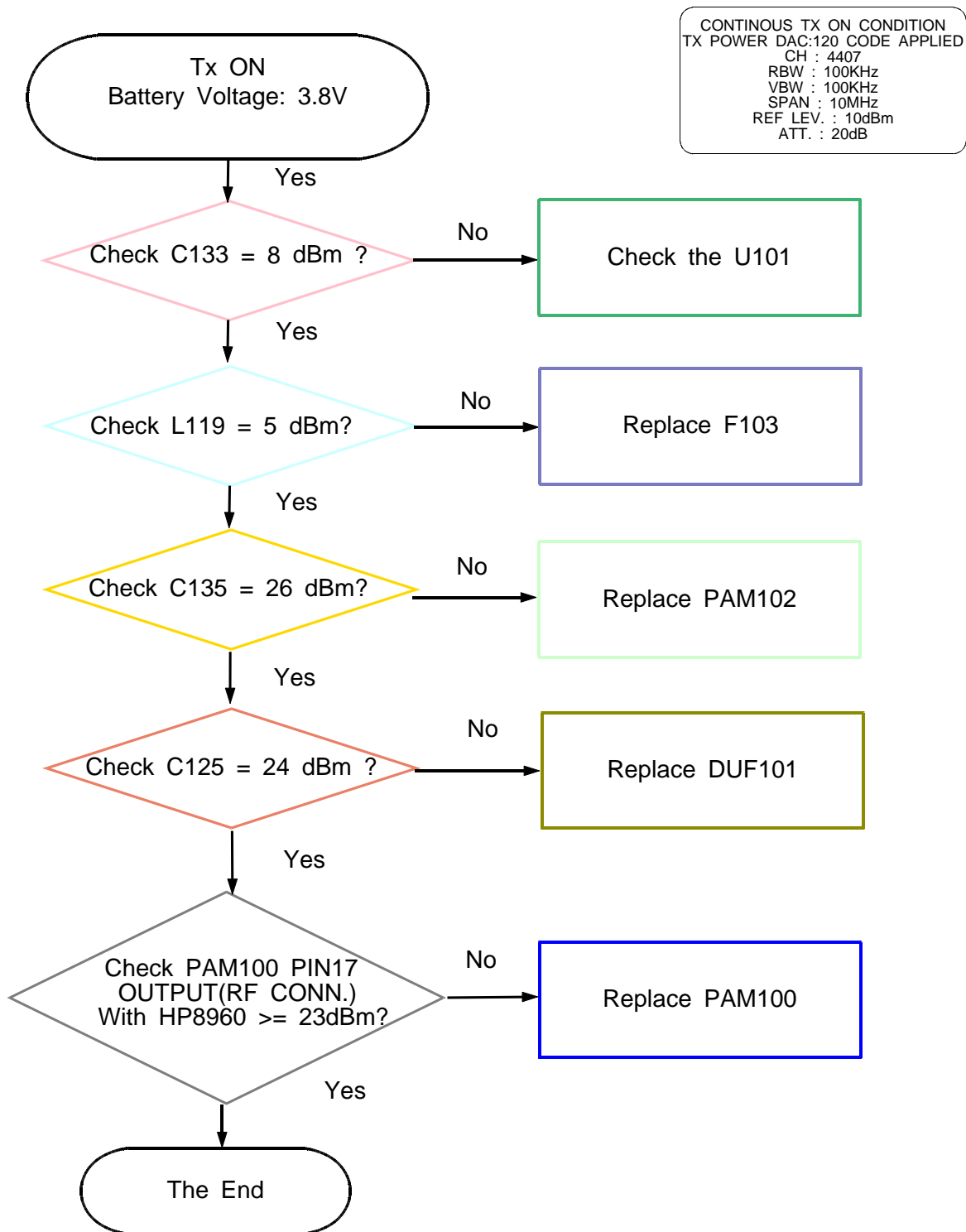
Check the not only RF Device but also resistor, inductor and capacitor.

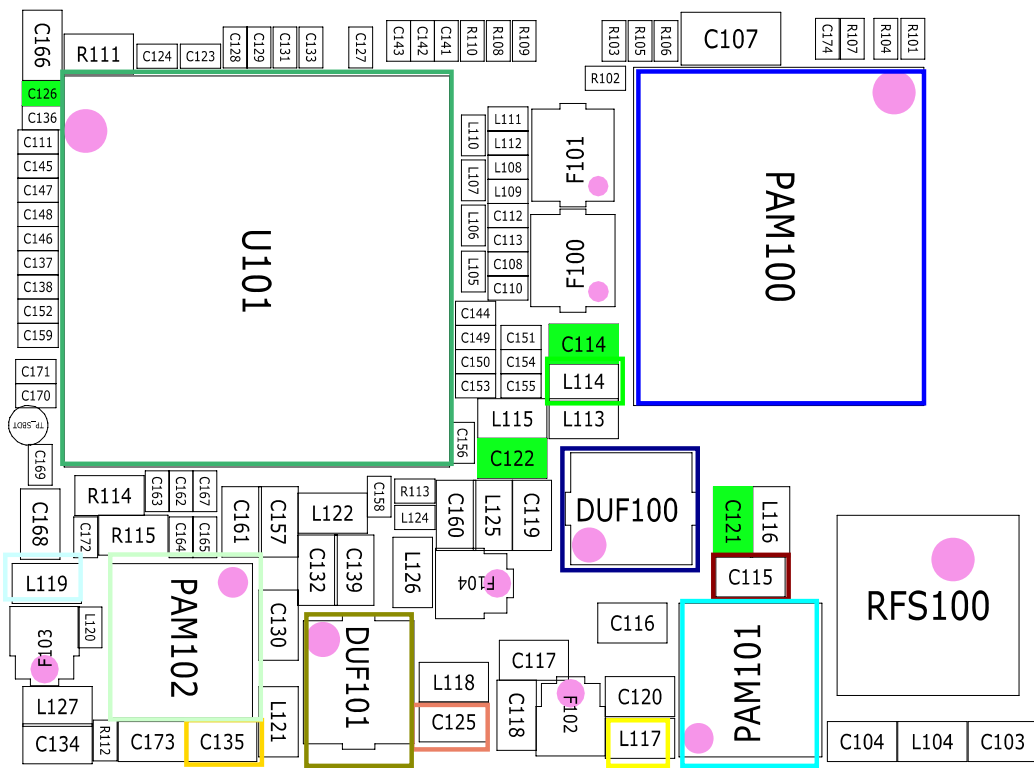


8-4-9. WCDMA Band5 TX

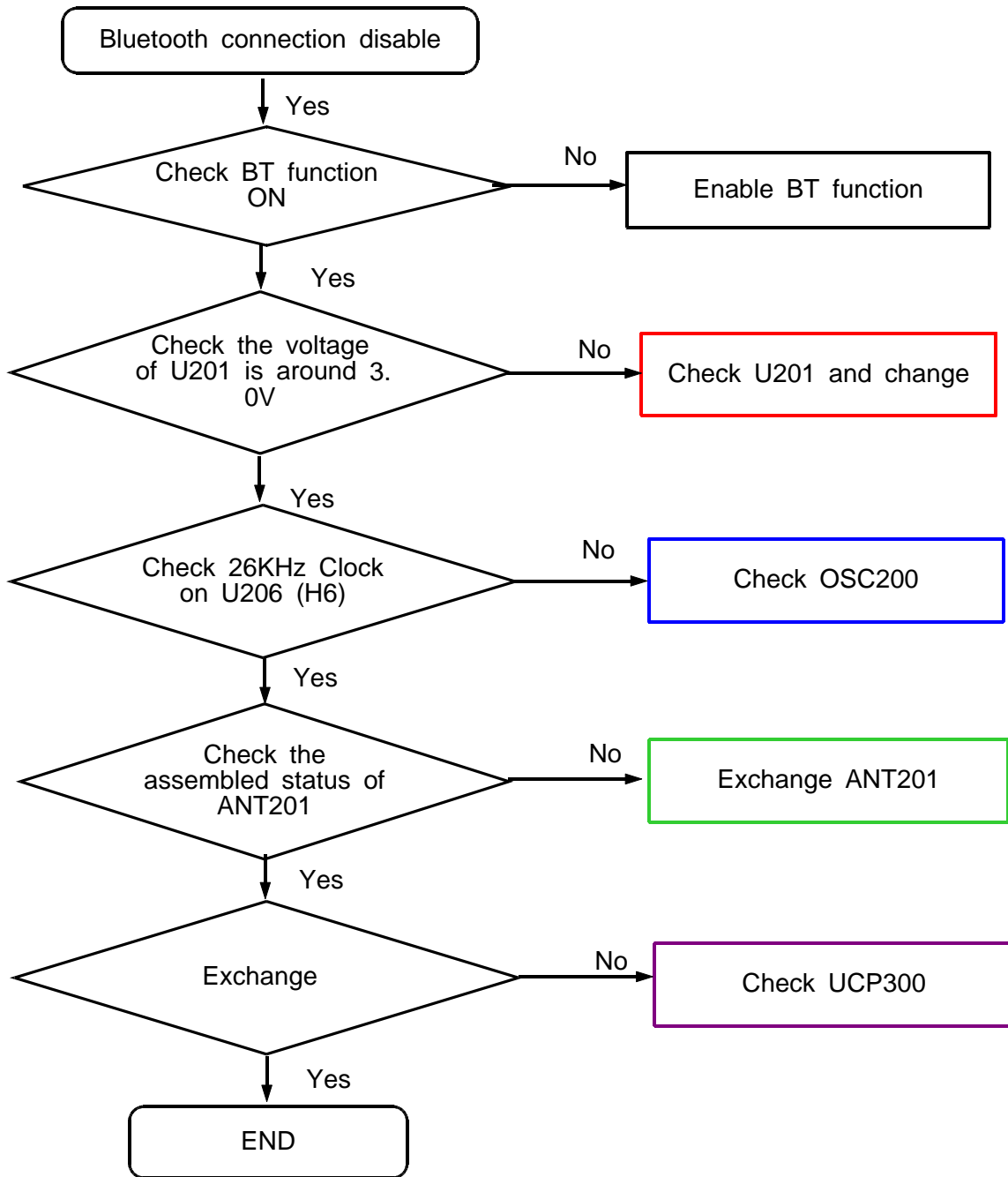
**If you check the tx chain,

Check the not only RF Device but also resistor, inductor and capacitor.

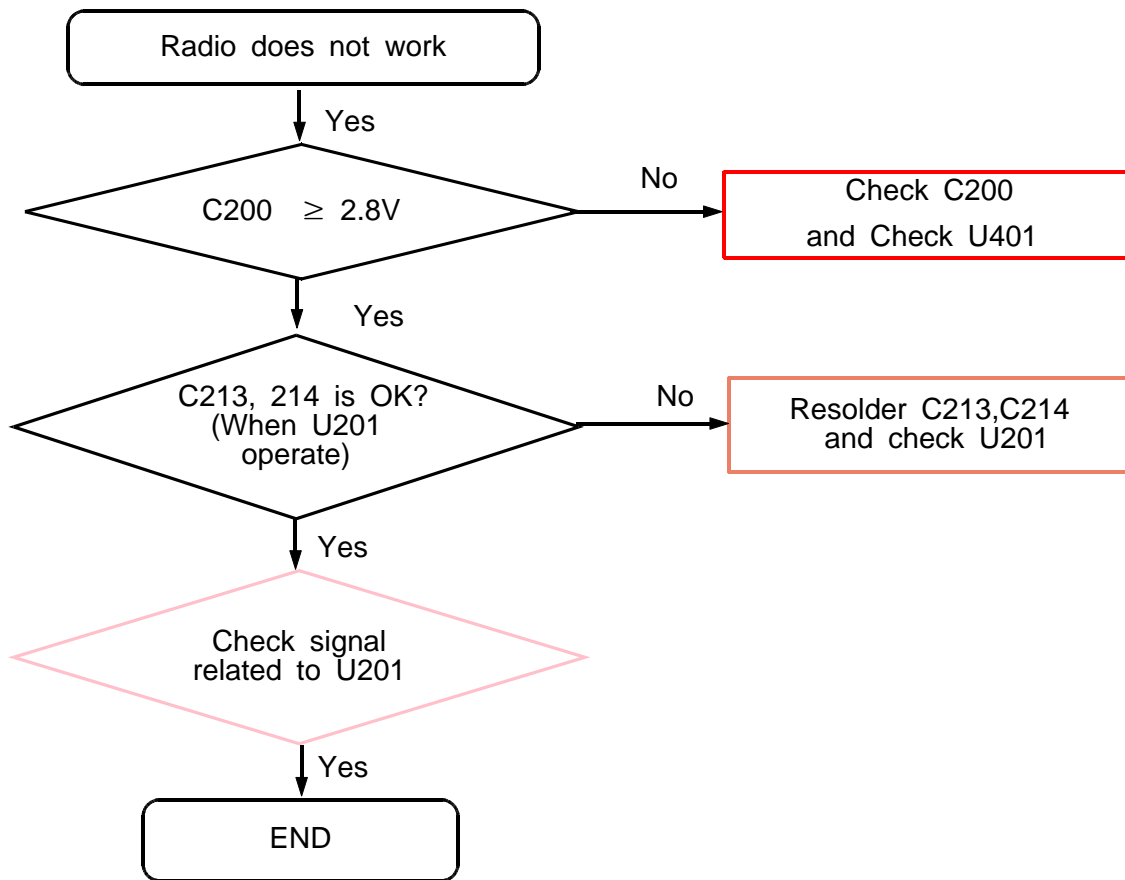




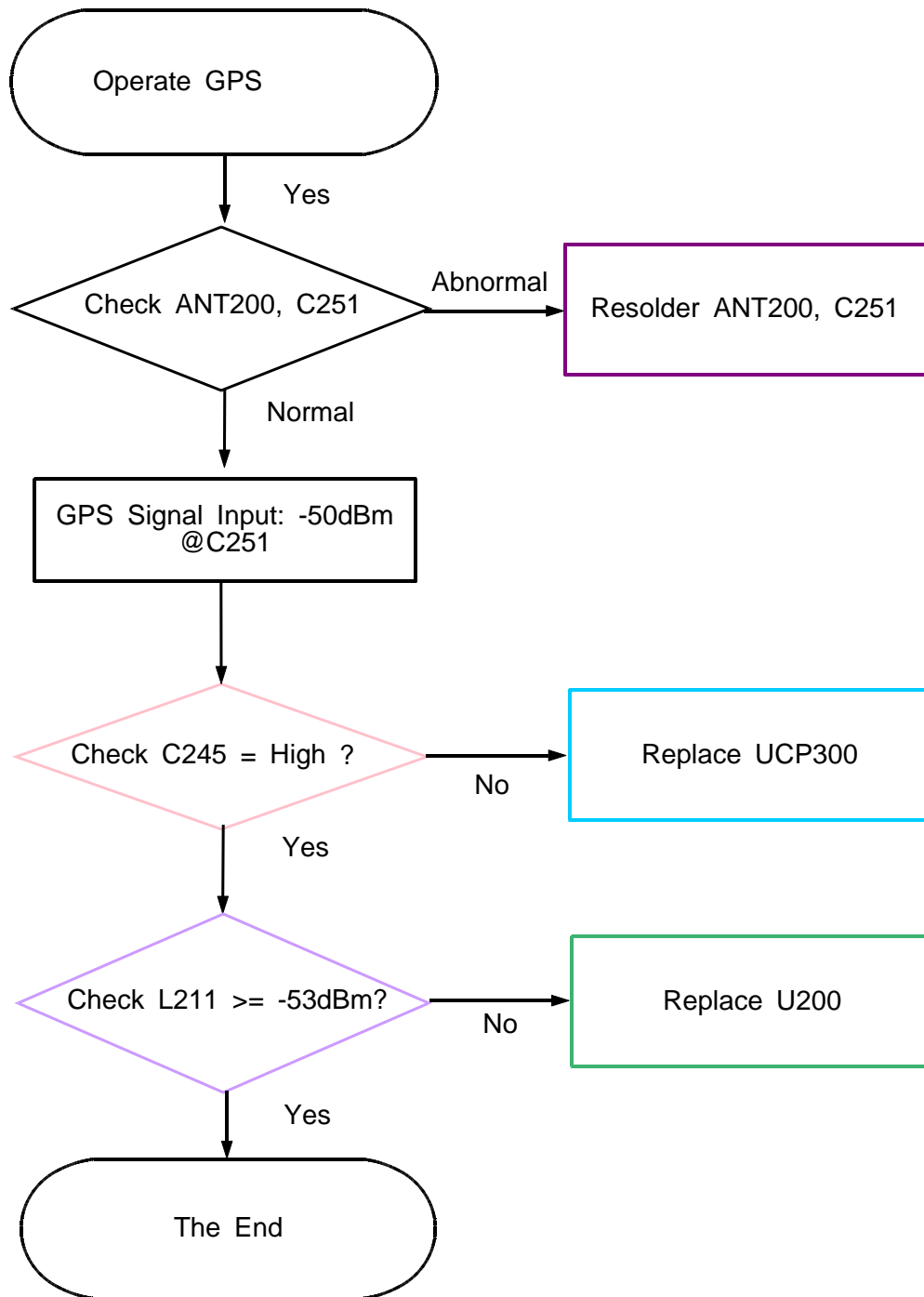
8-4-10. BLUETOOTH

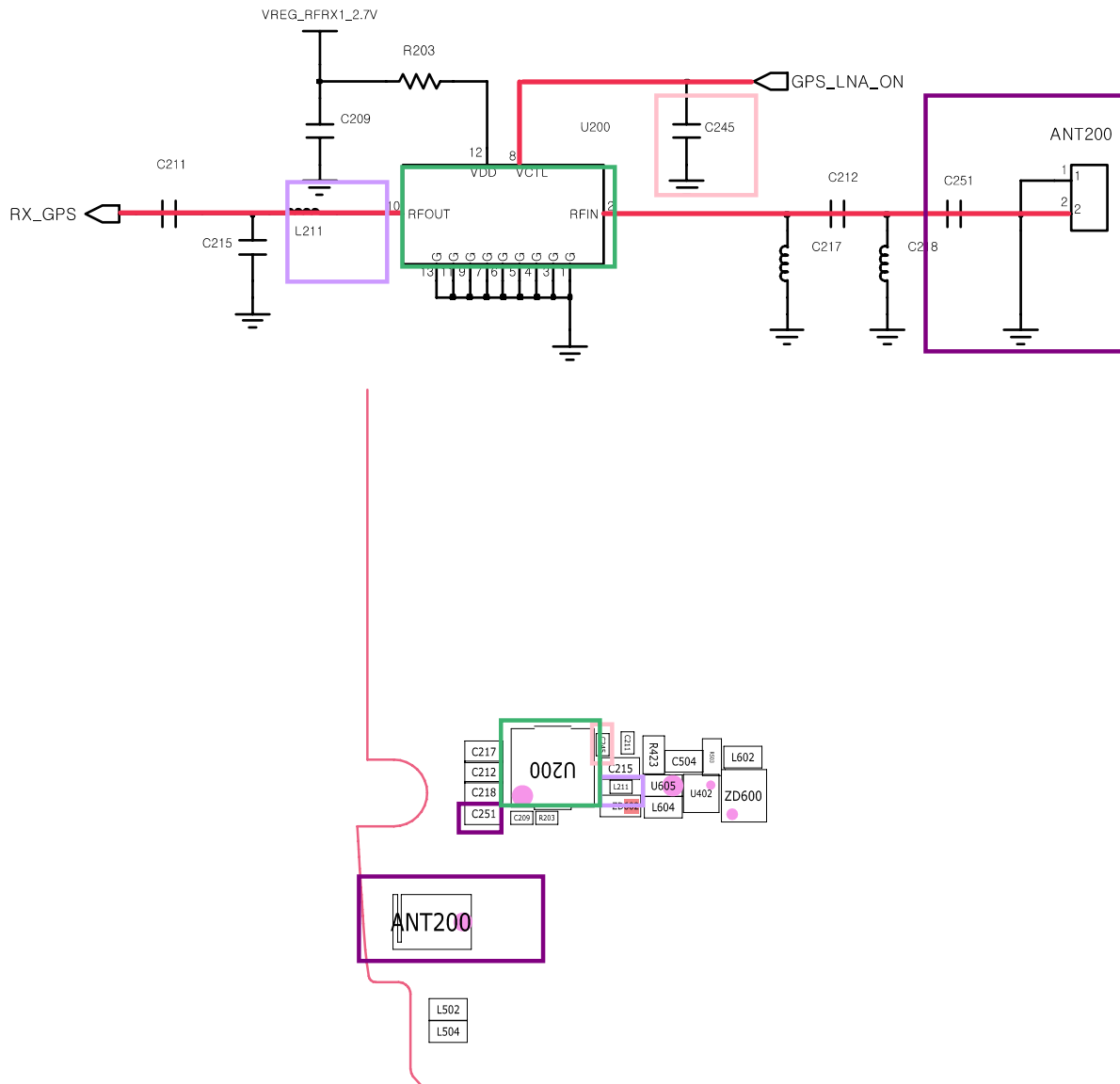


8-4-11. FM RADIO



8-4-12. GPS





8-5. Service Schematics

- NC Point(Top View)

● : NC

UME300

| | 1 | 2 | 3 | 4 | 5 | 6 | 7 | 8 | 9 | 10 | 11 | 12 | 13 | 14 |
|---|---|---|---|---|---|---|---|---|---|----|----|----|----|----|
| A | ○ | ○ | ● | ○ | ○ | ○ | ○ | ○ | ○ | ○ | ○ | ○ | ○ | ○ |
| B | ○ | ● | ○ | ○ | ○ | ○ | ● | ● | ● | ○ | ● | ● | ○ | ○ |
| C | ○ | ● | ○ | ○ | ○ | ○ | ○ | ○ | ○ | ● | ● | ○ | ○ | ○ |
| D | ○ | ○ | ○ | ○ | | | | | | | | ● | ● | ○ |
| E | ● | ○ | ○ | | ○ | ● | ● | ● | ● | ● | | ● | ○ | ○ |
| F | ○ | ○ | ○ | | ● | | | | | ● | | ○ | ○ | ○ |
| G | ○ | ○ | ○ | | ○ | | | | | ● | | ○ | ○ | ○ |
| H | ○ | ○ | ○ | | ● | | | | | ● | | ○ | ○ | ○ |
| J | ○ | ○ | ○ | | ● | | | | | ● | | ○ | ● | ○ |
| K | ○ | ○ | ○ | | ● | ● | ○ | ○ | ● | ● | | ○ | ○ | ○ |
| L | ○ | ○ | ○ | | | | | | | | | ○ | ○ | ○ |
| M | ○ | ○ | ● | ○ | ○ | ○ | ○ | ○ | ● | ● | ● | ● | ○ | ○ |
| N | ○ | ○ | ● | ○ | ○ | ○ | ● | ○ | ● | ● | ● | ● | ○ | ○ |
| P | ○ | ○ | ○ | ○ | ○ | ○ | ○ | ○ | ○ | ○ | ○ | ○ | ○ | ○ |

U401

| | 1 | 2 | 3 | 4 | 5 | 6 | 7 | 8 | 9 | 10 | 11 | |
|---|---|---|---|---|---|---|---|---|---|----|----|---|
| A | ● | ○ | ○ | ○ | ○ | ○ | ○ | ○ | ○ | ○ | ○ | ● |
| B | ○ | ○ | ○ | ○ | ○ | ○ | ○ | ○ | ○ | ○ | ○ | ○ |
| C | ○ | ○ | ○ | ○ | ○ | ○ | ○ | ○ | ○ | ○ | ○ | ○ |
| D | ○ | ○ | ○ | ○ | ○ | ○ | ○ | ○ | ○ | ○ | ○ | ○ |
| E | ○ | ○ | ○ | ○ | ○ | ○ | ○ | ○ | ○ | ○ | ○ | ○ |
| F | ○ | ○ | ○ | ○ | ○ | ○ | ○ | ○ | ○ | ○ | ○ | ○ |
| G | ○ | ○ | ○ | ○ | ○ | ○ | ○ | ○ | ○ | ○ | ○ | ○ |
| H | ○ | ○ | ○ | ○ | ○ | ○ | ○ | ○ | ○ | ○ | ○ | ○ |
| J | ○ | ○ | ○ | ○ | ○ | ○ | ○ | ○ | ○ | ○ | ○ | ○ |
| K | ● | ○ | ○ | ○ | ○ | ○ | ○ | ○ | ○ | ○ | ○ | ● |

UCP300

| | 1 | 2 | 3 | 4 | 5 | 6 | 7 | 8 | 9 | 10 | 11 | 12 | 13 | 14 | 15 | 16 | 17 | 18 | 19 | 20 | 21 | 22 | 23 | 24 | 25 | 26 | 27 | 28 | | | | | | |
|----|---|---|---|---|---|---|---|---|---|----|----|----|----|----|----|----|----|----|----|----|----|----|----|----|----|----|----|----|---|---|----|----|----|----|
| A | ● | ● | ● | ● | ● | ● | ● | ● | ● | ● | ● | ● | ● | ● | ● | ● | ● | ● | ● | ● | ● | ● | ● | ● | ● | ● | ● | A | | | | | | |
| B | ● | ○ | ○ | ○ | ○ | ○ | ○ | ○ | ○ | ○ | ○ | ○ | ○ | ○ | ○ | ○ | ○ | ○ | ○ | ○ | ○ | ○ | ○ | ○ | ○ | ○ | ○ | ● | B | | | | | |
| C | ● | ○ | ○ | ○ | ○ | ○ | ○ | ○ | ○ | ○ | ○ | ○ | ○ | ○ | ○ | ○ | ○ | ○ | ○ | ○ | ○ | ○ | ○ | ○ | ○ | ○ | ○ | ○ | ● | C | | | | |
| D | ● | ○ | ○ | | | | | | | | | | | | | | | | | | | | | | | ○ | ○ | ● | D | | | | | |
| E | ● | ○ | ○ | | ○ | ○ | ○ | ○ | ○ | ○ | ○ | ○ | ○ | ○ | ○ | ○ | ○ | ○ | ○ | ○ | ○ | ○ | ○ | ○ | | ○ | ○ | ○ | ● | E | | | | |
| F | ● | ○ | ○ | | ○ | ○ | ○ | ○ | ○ | ○ | ○ | ○ | ○ | ○ | ○ | ○ | ○ | ○ | ○ | ○ | ○ | ○ | ○ | | ○ | ○ | ○ | ○ | ● | F | | | | |
| G | ● | ○ | ○ | | ○ | ○ | | | | | | | | | | | | | | | | | ○ | ○ | | ○ | ○ | ○ | ● | G | | | | |
| H | ● | ○ | ○ | | ○ | ○ | | ○ | ○ | ○ | ○ | ○ | ○ | ○ | ○ | ○ | ○ | ○ | ○ | ○ | ○ | | ○ | ○ | | ○ | ○ | ○ | ○ | ● | H | | | |
| J | ● | ○ | ○ | | ○ | ○ | | ○ | ○ | ○ | ○ | ○ | ○ | ○ | ○ | ○ | ○ | ○ | ○ | ○ | | ○ | ○ | | ○ | ○ | ○ | ○ | ○ | ● | J | | | |
| K | ● | ○ | ○ | | ○ | ○ | | ○ | ○ | | | | | | | | | | | ○ | ○ | | ○ | ○ | | ○ | ○ | ○ | ○ | ● | K | | | |
| L | ● | ○ | ○ | | ○ | ○ | | ○ | ○ | | ○ | ○ | ○ | ○ | ○ | ○ | ○ | | ○ | ○ | | ○ | ○ | | ○ | ○ | ○ | ○ | ○ | ● | L | | | |
| M | ● | ○ | ○ | | ○ | ○ | | ○ | ○ | | ○ | ○ | ○ | ○ | ○ | ○ | ○ | | ○ | ○ | | ○ | ○ | | ○ | ○ | ○ | ○ | ○ | ● | M | | | |
| N | ● | ○ | ○ | | ○ | ○ | | ○ | ○ | | ○ | ○ | ○ | ○ | ○ | ○ | ○ | | ○ | ○ | | ○ | ○ | | ○ | ○ | ○ | ○ | ○ | ● | N | | | |
| P | ● | ○ | ○ | | ○ | ○ | | ○ | ○ | | ○ | ○ | ○ | ○ | ○ | ○ | ○ | | ○ | ○ | | ○ | ○ | | ○ | ○ | ○ | ○ | ○ | ● | P | | | |
| R | ● | ○ | ○ | | ○ | ○ | | ○ | ○ | | ○ | ○ | ○ | ○ | ○ | ○ | ○ | | ○ | ○ | | ○ | ○ | | ○ | ○ | ○ | ○ | ○ | ● | R | | | |
| T | ● | ○ | ○ | | ○ | ○ | | ○ | ○ | | ○ | ○ | ○ | ○ | ○ | ○ | ○ | | ○ | ○ | | ○ | ○ | | ○ | ○ | ○ | ○ | ○ | ● | T | | | |
| U | ● | ○ | ○ | | ○ | ○ | | ○ | ○ | | ○ | ○ | ○ | ○ | ○ | ○ | ○ | | ○ | ○ | | ○ | ○ | | ○ | ○ | ○ | ○ | ○ | ● | U | | | |
| V | ● | ○ | ○ | | ○ | ○ | | ○ | ○ | | | | | | | | | | | ○ | ○ | | ○ | ○ | | ○ | ○ | ○ | ○ | ○ | ● | V | | |
| W | ● | ○ | ○ | | ○ | ○ | | ○ | ○ | ○ | ○ | ○ | ○ | ○ | ○ | ○ | ○ | ○ | ○ | ○ | ○ | | ○ | ○ | | ○ | ○ | ○ | ○ | ○ | ● | W | | |
| Y | ● | ○ | ○ | | ○ | ○ | | ○ | ○ | ○ | ○ | ○ | ○ | ○ | ○ | ○ | ○ | ○ | ○ | ○ | | ○ | ○ | | ○ | ○ | ○ | ○ | ○ | ○ | ● | Y | | |
| AA | ● | ○ | ○ | | ○ | ○ | | | | | | | | | | | | | | | | | ○ | ○ | | ○ | ○ | ○ | ○ | ● | AA | | | |
| AB | ● | ○ | ○ | | ○ | ○ | ○ | ○ | ○ | ○ | ○ | ○ | ○ | ○ | ○ | ○ | ○ | ○ | ○ | ○ | ○ | ○ | ○ | ○ | ○ | ○ | ○ | ○ | ○ | ○ | ● | AB | | |
| AC | ● | ○ | ○ | | ○ | ○ | ○ | ○ | ○ | ○ | ○ | ○ | ○ | ○ | ○ | ○ | ○ | ○ | ○ | ○ | ○ | ○ | ○ | ○ | | ○ | ○ | ○ | ○ | ○ | ● | AC | | |
| AD | ● | ○ | ○ | | | | | | | | | | | | | | | | | | | | | | | | ○ | ○ | ○ | ○ | ● | AD | | |
| AE | ● | ○ | ○ | ○ | ○ | ○ | ○ | ○ | ○ | ○ | ○ | ○ | ○ | ○ | ○ | ○ | ○ | ○ | ○ | ○ | ○ | ○ | ○ | ○ | ○ | ○ | ○ | ○ | ○ | ○ | ○ | ● | AE | |
| AF | ● | ○ | ○ | ○ | ○ | ○ | ○ | ○ | ○ | ○ | ○ | ○ | ○ | ○ | ○ | ○ | ○ | ○ | ○ | ○ | ○ | ○ | ○ | ○ | ○ | ○ | ○ | ○ | ○ | ○ | ○ | ○ | ● | AF |
| AG | ● | ● | ● | ● | ● | ● | ● | ● | ● | ● | ● | ● | ● | ● | ● | ● | ● | ● | ● | ● | ● | ● | ● | ● | ● | ● | ● | ● | ● | ● | ● | ● | ● | AG |
| | 1 | 2 | 3 | 4 | 5 | 6 | 7 | 8 | 9 | 10 | 11 | 12 | 13 | 14 | 15 | 16 | 17 | 18 | 19 | 20 | 21 | 22 | 23 | 24 | 25 | 26 | 27 | | | | | | | |