

# Baseband Schematic

1. Contents
2. Block Diagram
3. SOC PWR1
4. SOC PWR2
5. SOC PWR3
6. SOC HS Interface
7. SOC GPIO Interface
8. SOC RF Interface
9. SOC GND & NC
10. Hi6421 LDO
11. Hi6421 BUCK
12. Hi6421 DIGITAL INTERFACE
13. HI6422-2
14. UFS and LPDDR4X
15. Battery & Fuel gauge
16. Charge Management
17. TFT LCD Interface
18. Direct Charge LoadSwitch
19. Flash LED
20. Camera Interface
21. ISP Reserved
22. Codec HI6403
23. MIC/VIB
24. Headphone
25. Audio
26. X-Sensor1
27. X-Sensor2
28. SIM Card
29. FPC Interface
30. Test Point/Shielding

# MODEM Schematic

31. RF Interface
32. RF PMU
33. RF Transceiver\_HI6363 \_01
34. PRX LNA-6H01
35. SKY78188-11\_MHB
36. LB Module
37. Reserved
38. RF Front End Switch
39. DRX LNA Module
40. DRX LB
41. DRX\_MHB
42. Reserved
43. MIMO\_DRX
44. MIMO\_PRX
45. RF Transceiver\_HI6363 \_02
46. Reserved
47. Reserved
48. Reserved
49. Reserved
50. Reserved
51. Hi1103 BB
52. Hi1103 PWR
53. Reserved
54. WIFI RF0
55. WIFI RF1
56. GPS
57. NFC
58. UP ANT: ANT4/5/6 GPS/WIFI ANT
59. UP ANT: ANT1/2/3/7
60. ANT Tuner



该文档是极速PDF编辑器生成，  
如果想去掉该提示，请访问并下载：  
<http://www.jisupdfeditor.com/>

The type and specification of the components refer to the BOM

				NA	2018-11-01
				ECA NO	DATE
DESIGNED	HUAWEI	MATE20 PORSCHEDESIGN		PorscheDesign	
REVIEWED	HUAWEI	VER	PART_NUMBER	SHEET 1 Content#0	
		B	03088GSJ	HUAWEI TECH CO.,LTD.	

# 2. Block Diagram



该文档是极速PDF编辑器生成，  
如果想去掉该提示，请访问并下载：  
<http://www.jisupdfeditor.com/>

A

A

B

B

C

C

D

D

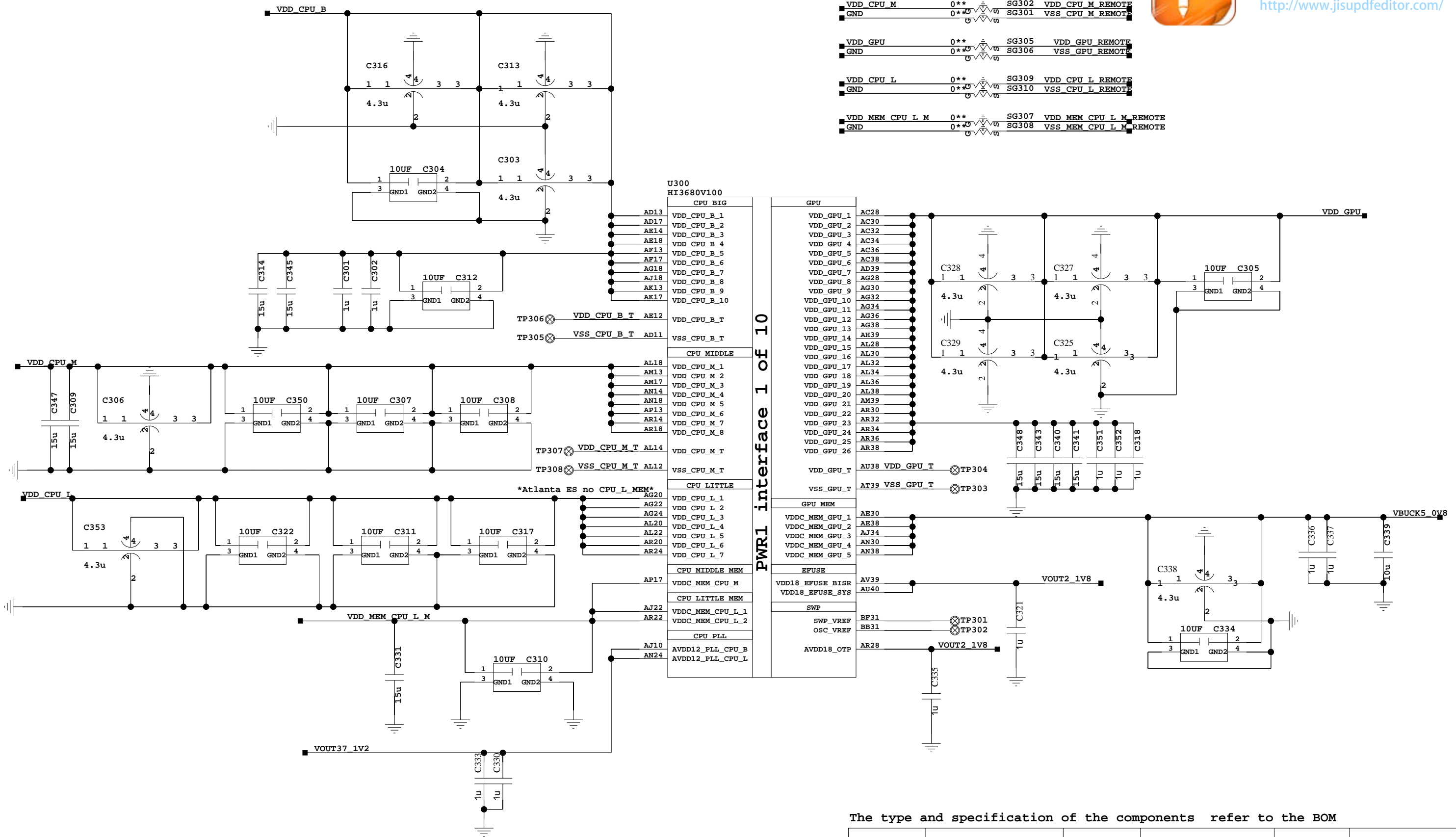
The type and specification of the components refer to the BOM

				NA	2018-11-01
				ECA NO	DATE
DESIGNED	HUAWEI	MATE20 PORSCHEDESIGN		PorscheDesign	
REVIEWED	HUAWEI				
		VER	PART_NUMBER	SHEET 2 Block Diagram	
		B	03088GSJ	HUAWEI TECH CO.,LTD.	

# 3. SOC PWR1



该文档是极速PDF编辑器生成，  
如果想去掉该提示，请访问并下载：  
<http://www.jisupdfeditor.com/>



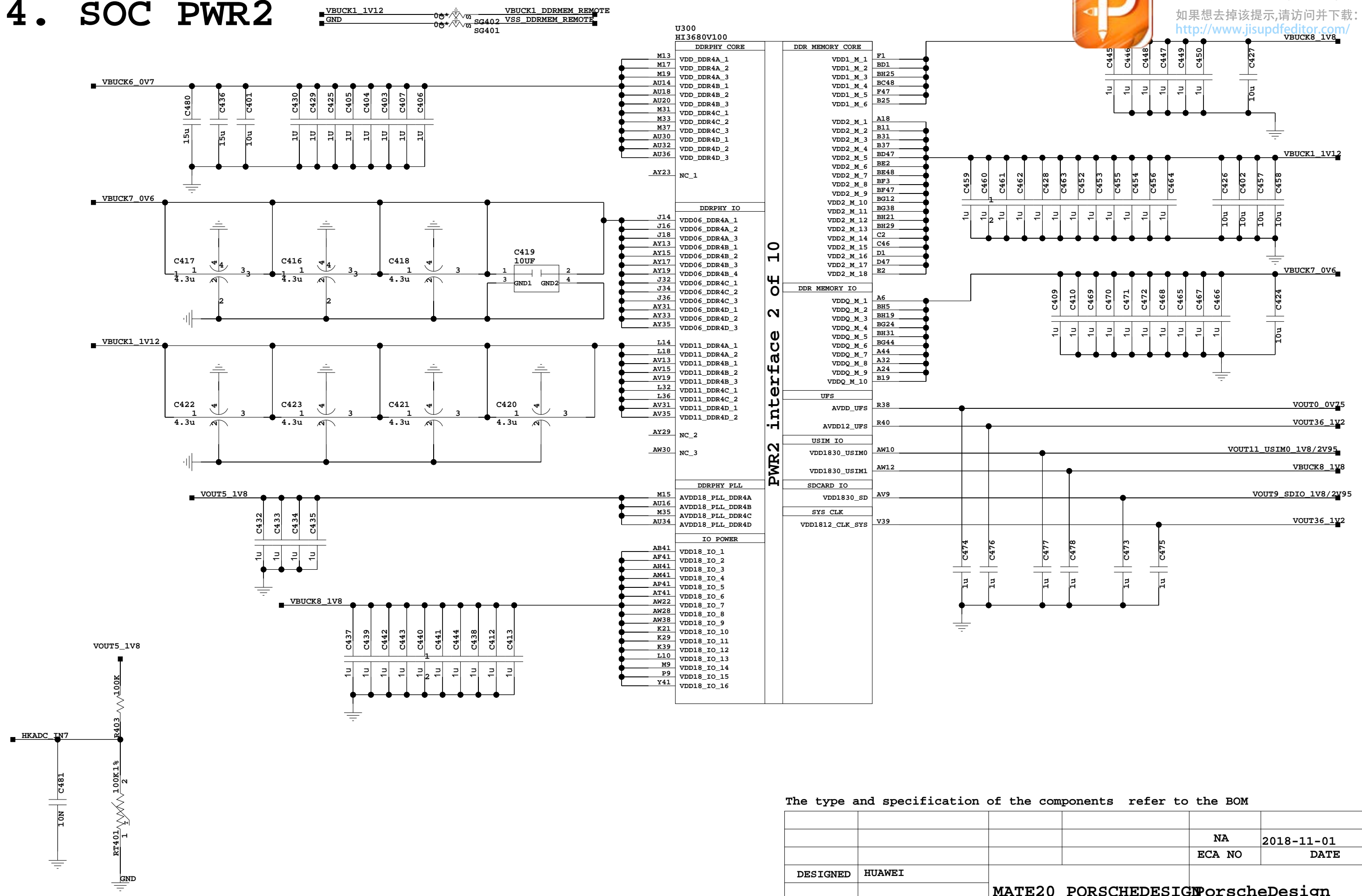
The type and specification of the components refer to the BOM

				NA	2018-11-01
				ECA NO	DATE
DESIGNED	HUAWEI	MATE20 PORSCHEDESIGN PorscheDesign			
REVIEWED	HUAWEI				
		VER	PART_NUMBER	SHEET 3 SOOPWR1	
		B	03088GSJ	HUAWEI TECH CO.,LTD.	

# 4. SOC PWR2



该文档是极速PDF编辑器生成，  
如果想去掉该提示，请访问并下载：  
<http://www.jisupdfeditor.com/>



AP Temperature DET

The type and specification of the components refer to the BOM

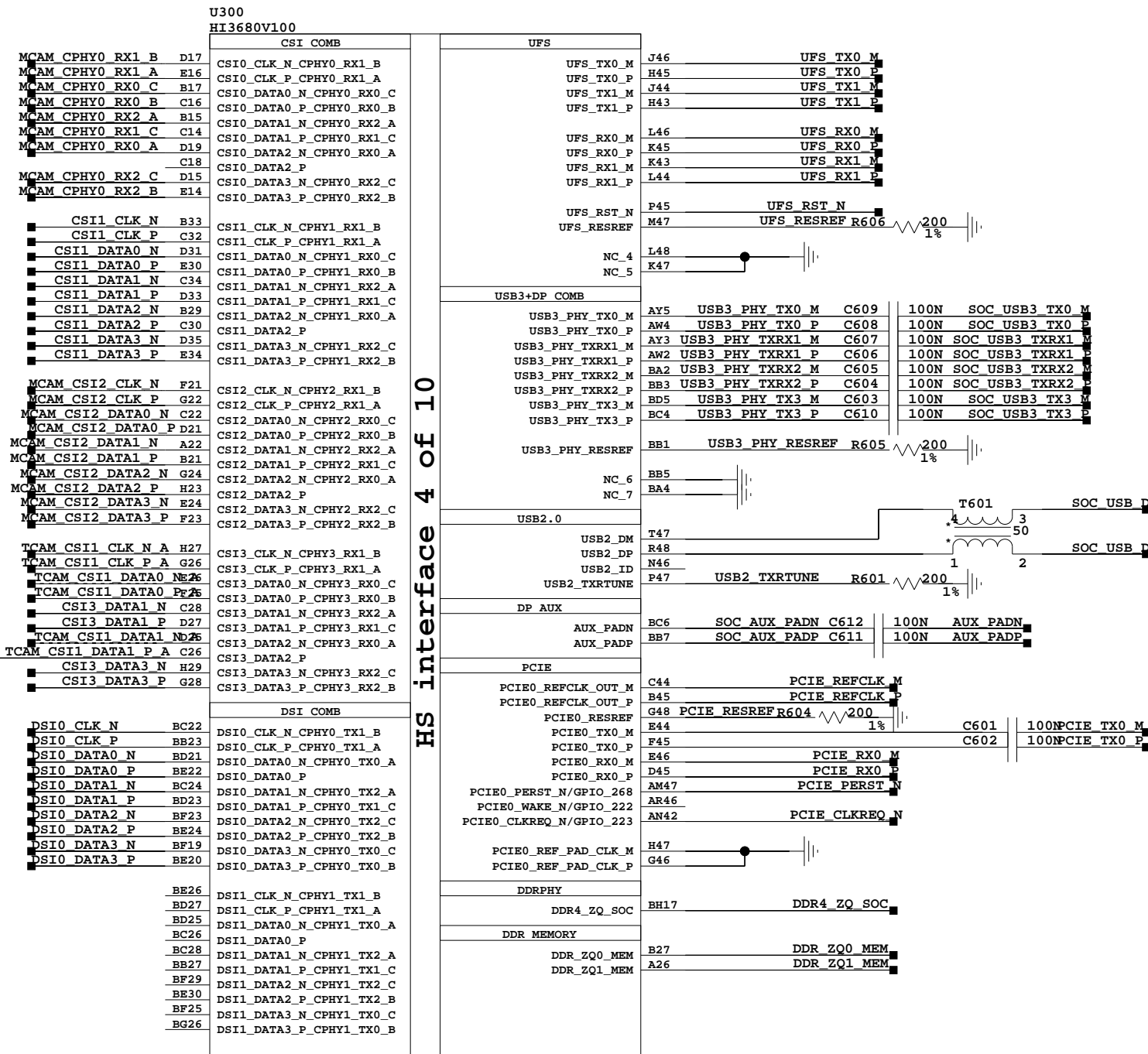
DESIGNED	HUAWEI	VER	PART_NUMBER	SHEET	4	SOOPWR00
REVIEWED	HUAWEI	B	03088GSJ	HUAWEI TECH CO.,LTD.		
				NA	2018-11-01	
				ECA NO	DATE	
				MATE20 PORSCHEDESIGN PorscheDesign		



# 6. SOC HS Interface



该文档是极速PDF编辑器生成，  
如果想去掉该提示，请访问并下载：  
<http://www.jisupdfeditor.com/>



- VBUCK7\_0V6 R603 2401%DDR4\_ZQ\_SOC
- VBUCK7\_0V6 R602 2401%DDR\_ZQ0\_MEM
- VBUCK7\_0V6 R607 2401%DDR\_ZQ1\_MEM

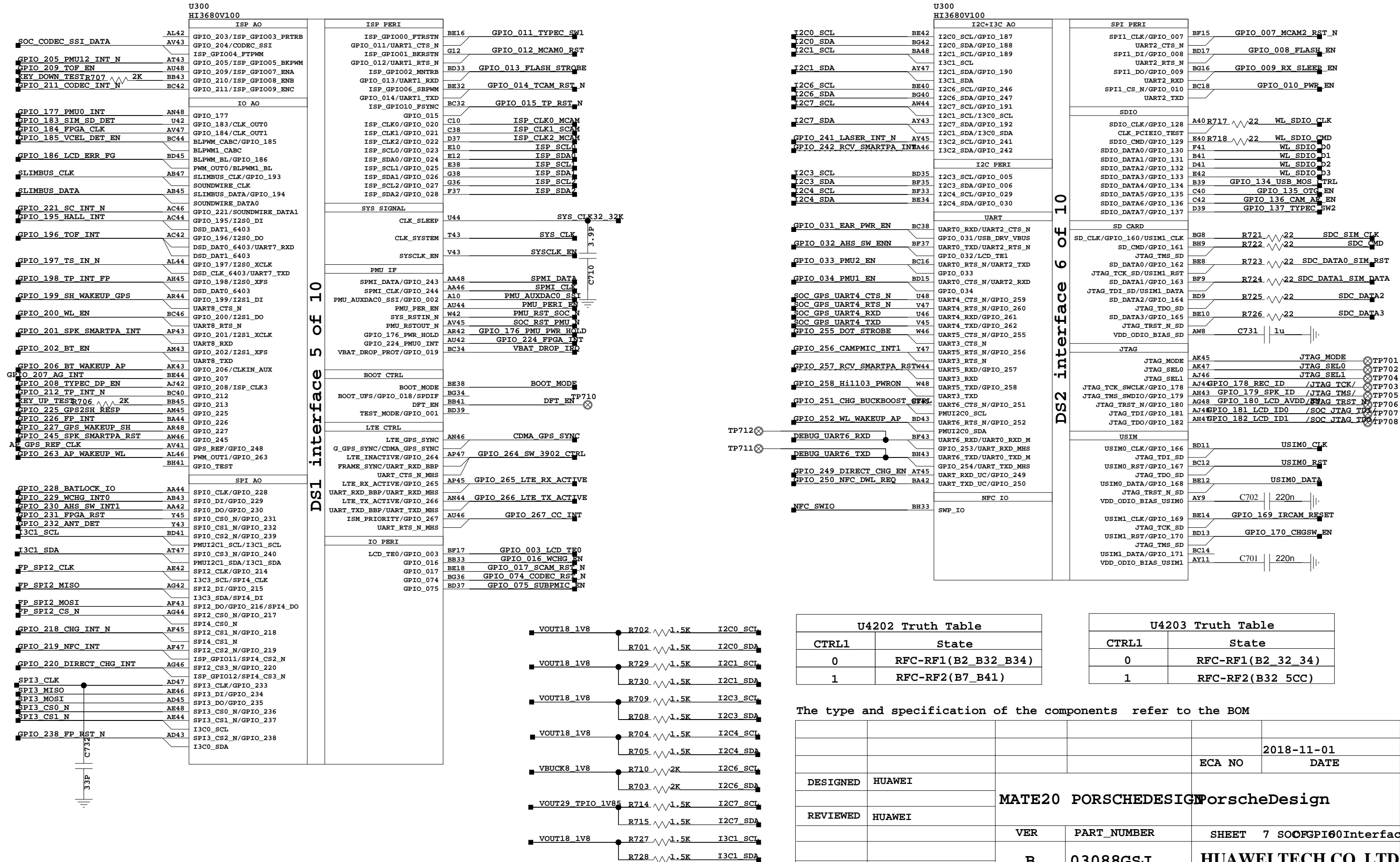
The type and specification of the components refer to the BOM

					2018-11-01
				ECA NO	DATE
DESIGNED	HUAWEI	MATE20 PORSCHEDESIGN PorscheDesign			
REVIEWED	HUAWEI				
		VER	PART_NUMBER	SHEET 6 SOOFHS Interface	
		B	03088GSJ	HUAWEI TECH CO.,LTD.	

# 7. SOC GPIO Interface



该文档是极速PDF编辑器生成，  
如果想去掉该提示，请访问并下载：  
<http://www.jisupdfeditor.com/>



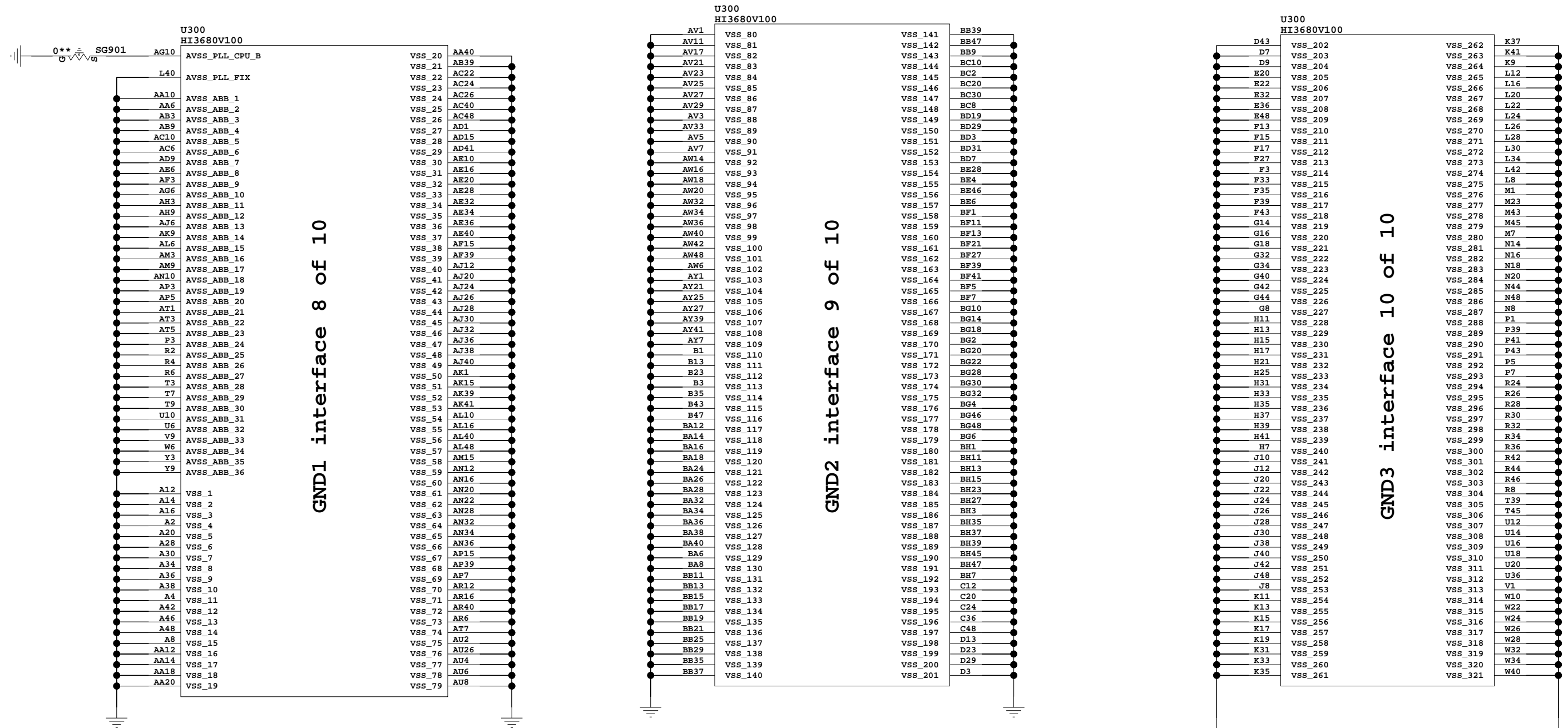




# 9. SOC GND



该文档是极速PDF编辑器生成，  
如果想去掉该提示，请访问并下载：  
<http://www.jisupdfeditor.com/>



The type and specification of the components refer to the BOM

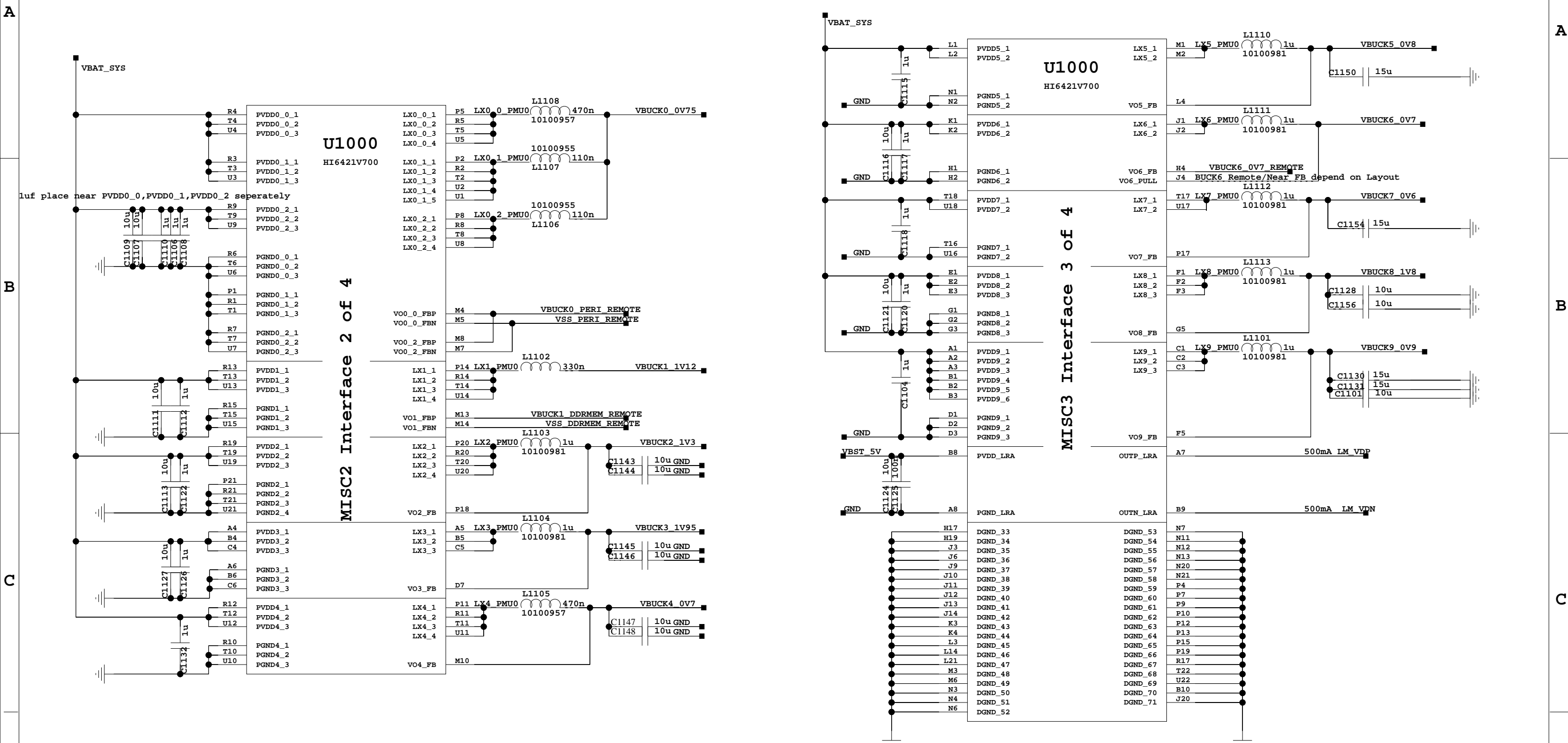
				NA	2018-11-01
				ECA NO	DATE
DESIGNED	HUAWEI	MATE20 PORSCHEDESIGN PorscheDesign			
REVIEWED	HUAWEI				
		VER	PART_NUMBER	SHEET 9 SOOFGND60	
		B	03088GSJ	HUAWEI TECH CO.,LTD.	



# 11.Hi6421 BUCK



该文档是极速PDF编辑器生成，  
如果想去掉该提示，请访问并下载：  
<http://www.jsupdfeditor.com/>



The type and specification of the components refer to the BOM

				NA	2018-11-01
				ECA NO	DATE
DESIGNED	HUAWEI	MATE20 PORSCHEDESIGN PorscheDesign			
REVIEWED	HUAWEI				
		VER	PART_NUMBER	SHEET 11 HD64216BUCK	
		B	03088GSJ	HUAWEI TECH CO.,LTD.	

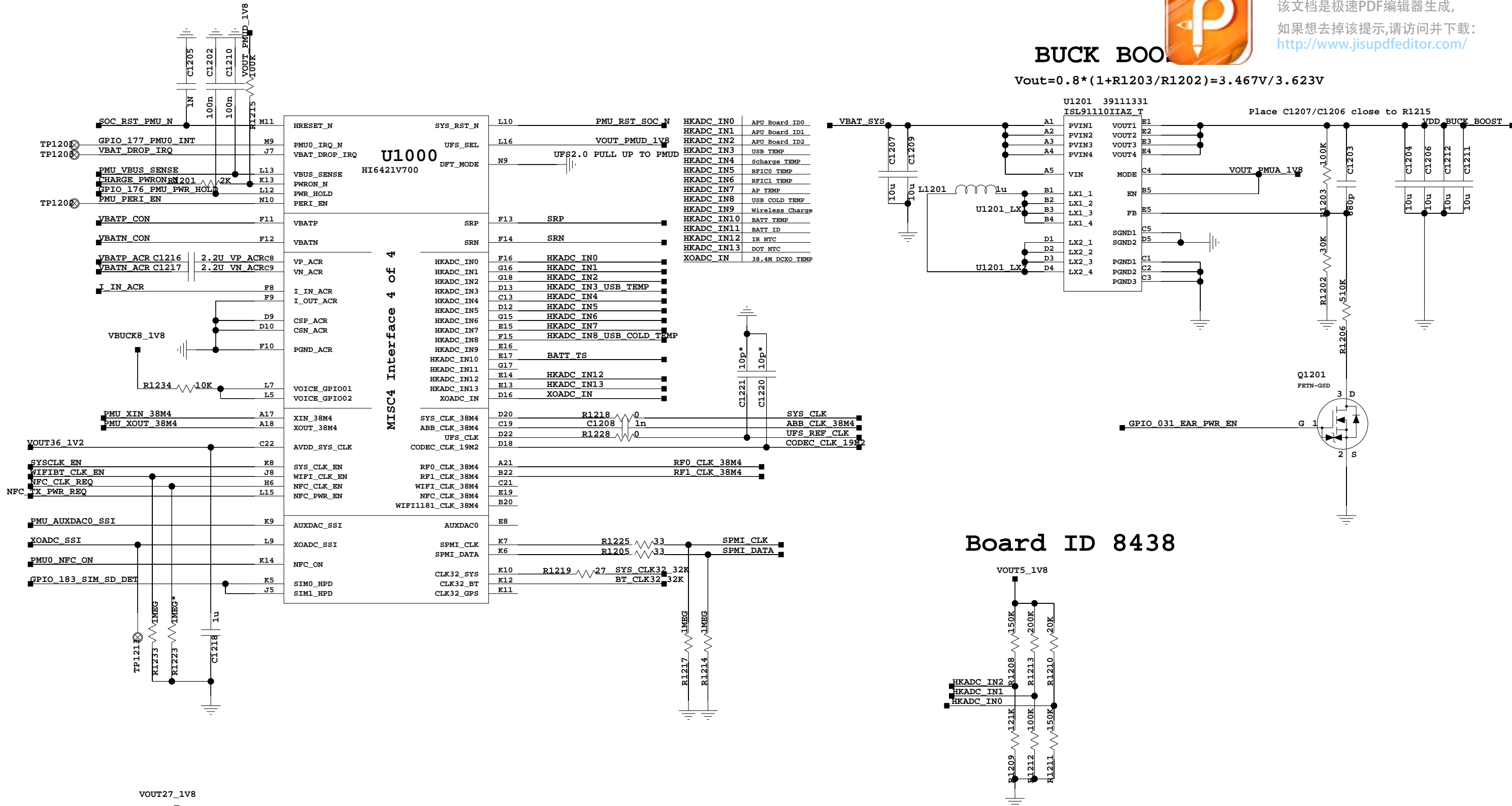
# 12.Hi6421 DIGITAL INTERFACE



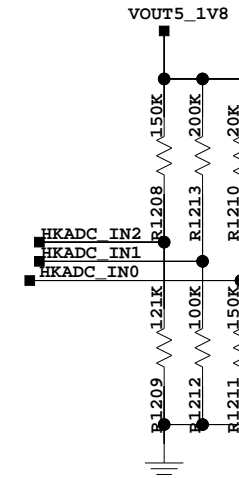
该文档是极速PDF编辑器生成，  
如果想去掉该提示，请访问并下载：  
<http://www.jisupdfeditor.com/>

## BUCK BOOST

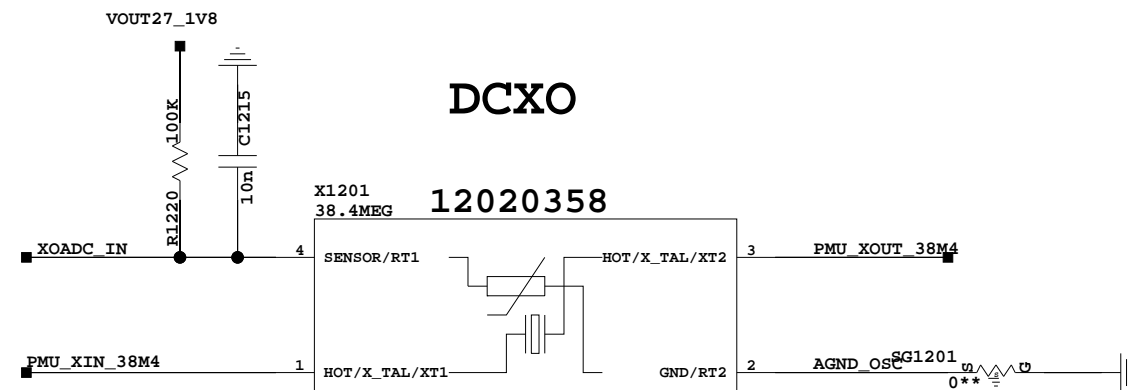
$$V_{out} = 0.8 * (1 + R_{1203}/R_{1202}) = 3.467V/3.623V$$



## Board ID 8438



## DCXO



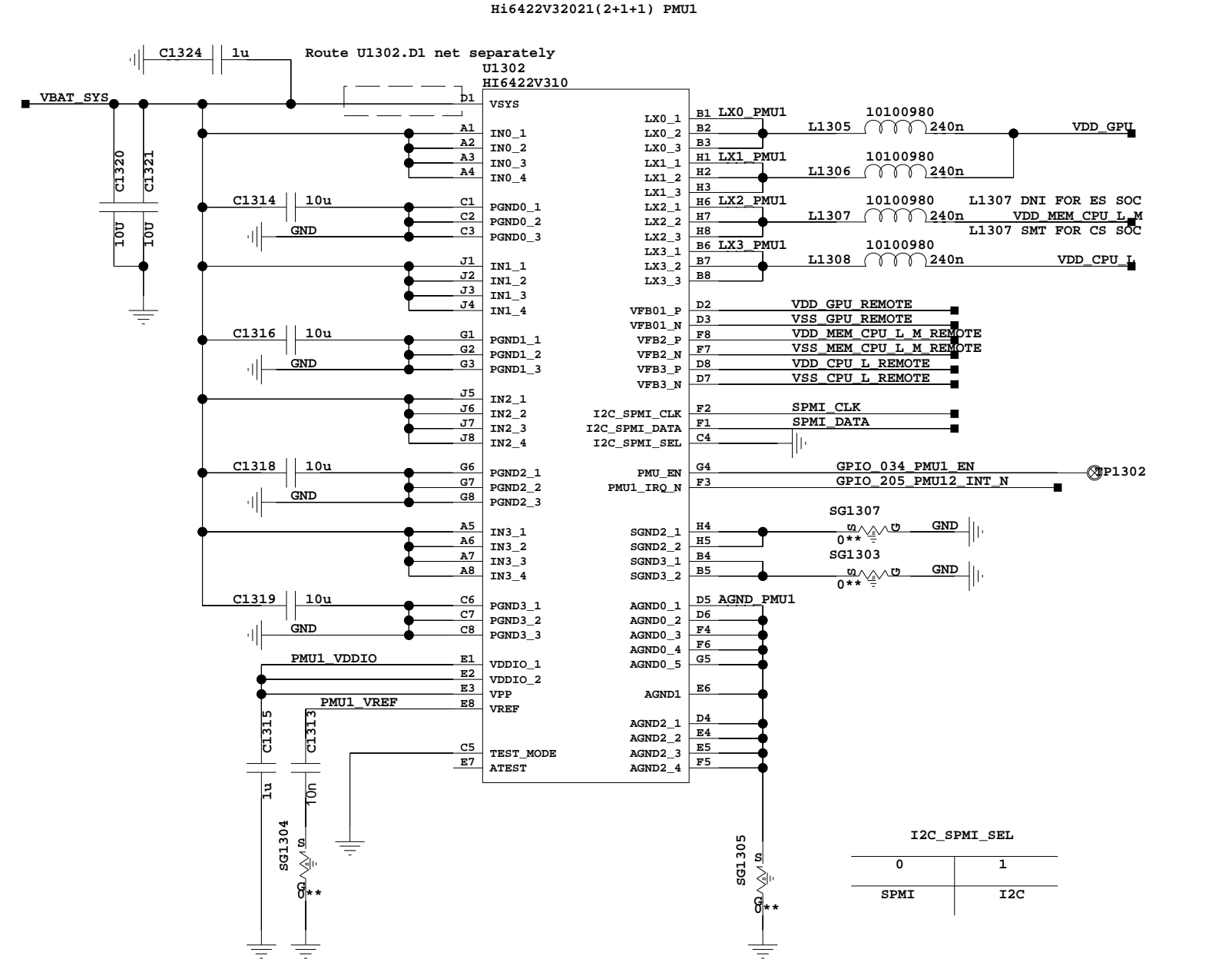
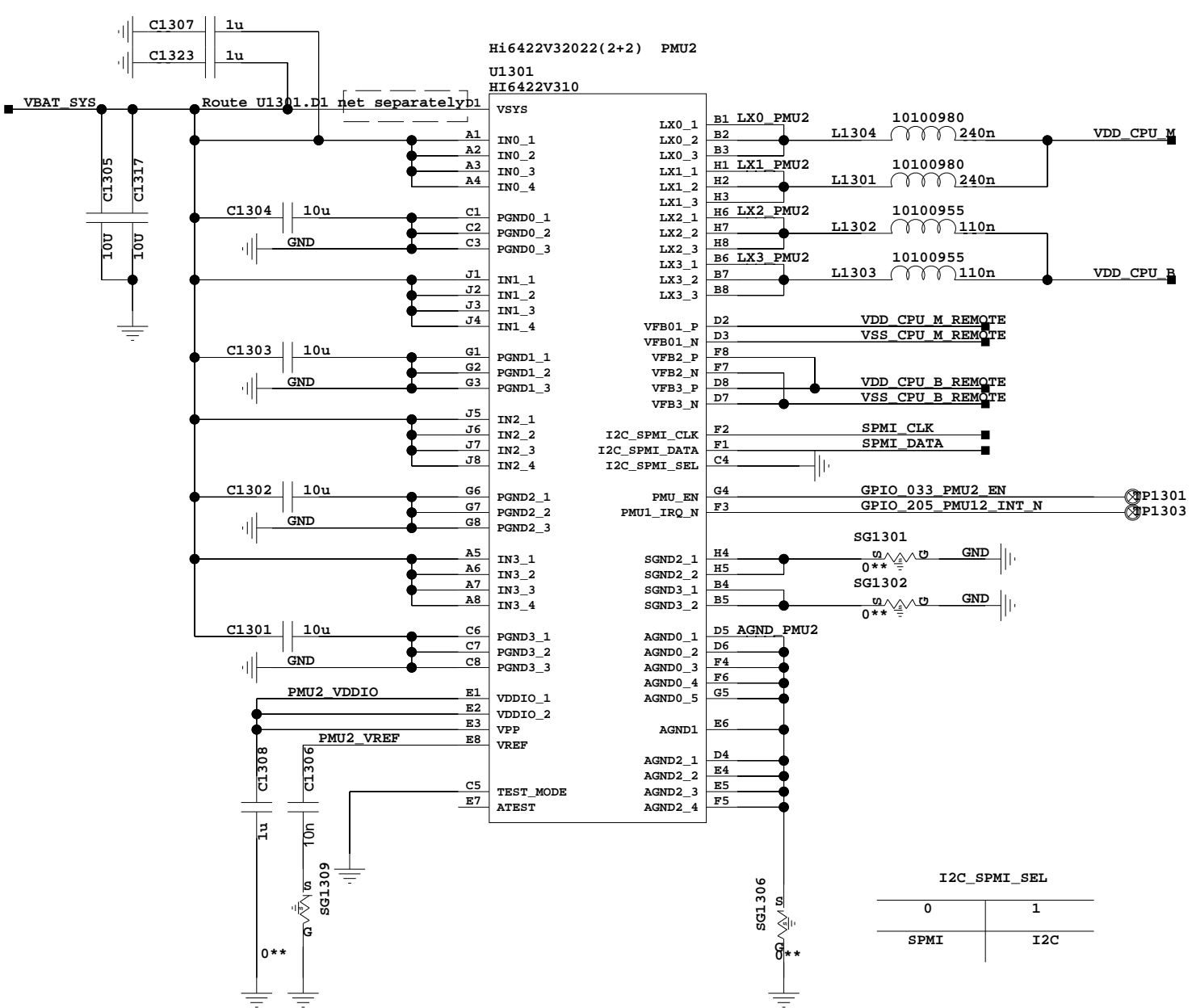
The type and specification of the components refer to the BOM

DESIGNED	HUAWEI	VER	PART_NUMBER	SHEET	12 HD64216DIGITAL Int
REVIEWED	HUAWEI	B	03088GSJ	HUAWEI TECH CO.,LTD.	
				NA	2018-11-01
				ECA NO	DATE
MATE20 PORSCHEDESIGN				PorscheDesign	

# 13. HI6422V320



该文档是极速PDF编辑器生成，  
如果想去掉该提示，请访问并下载：  
<http://www.jsupdfeditor.com/>



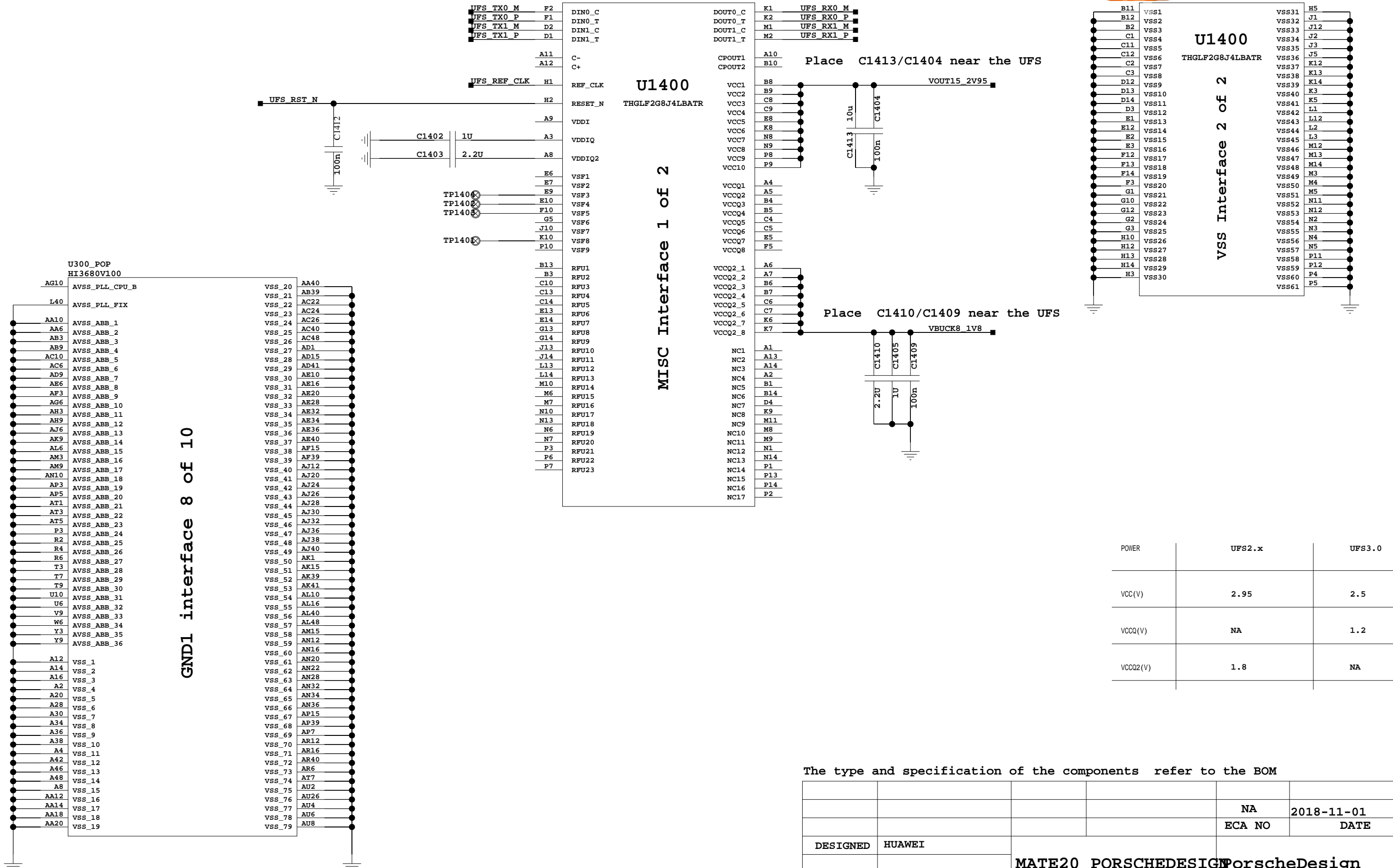
The type and specification of the components refer to the BOM

				NA	2018-11-01
				ECA NO	DATE
DESIGNED	HUAWEI	MATE20 PORSCHEDESIGN PorscheDesign			
REVIEWED	HUAWEI				
		VER	PART_NUMBER	SHEET 13 HD642260	
		B	03088GSJ	HUAWEI TECH CO.,LTD.	

# 14. UFS and LPDDR4X



该文档是极速PDF编辑器生成，  
如果想去掉该提示，请访问并下载：  
<http://www.jisupdfeditor.com/>



POWER	UFS2.x	UFS3.0
VCC(V)	2.95	2.5
VCCQ(V)	NA	1.2
VCCQ2(V)	1.8	NA

The type and specification of the components refer to the BOM

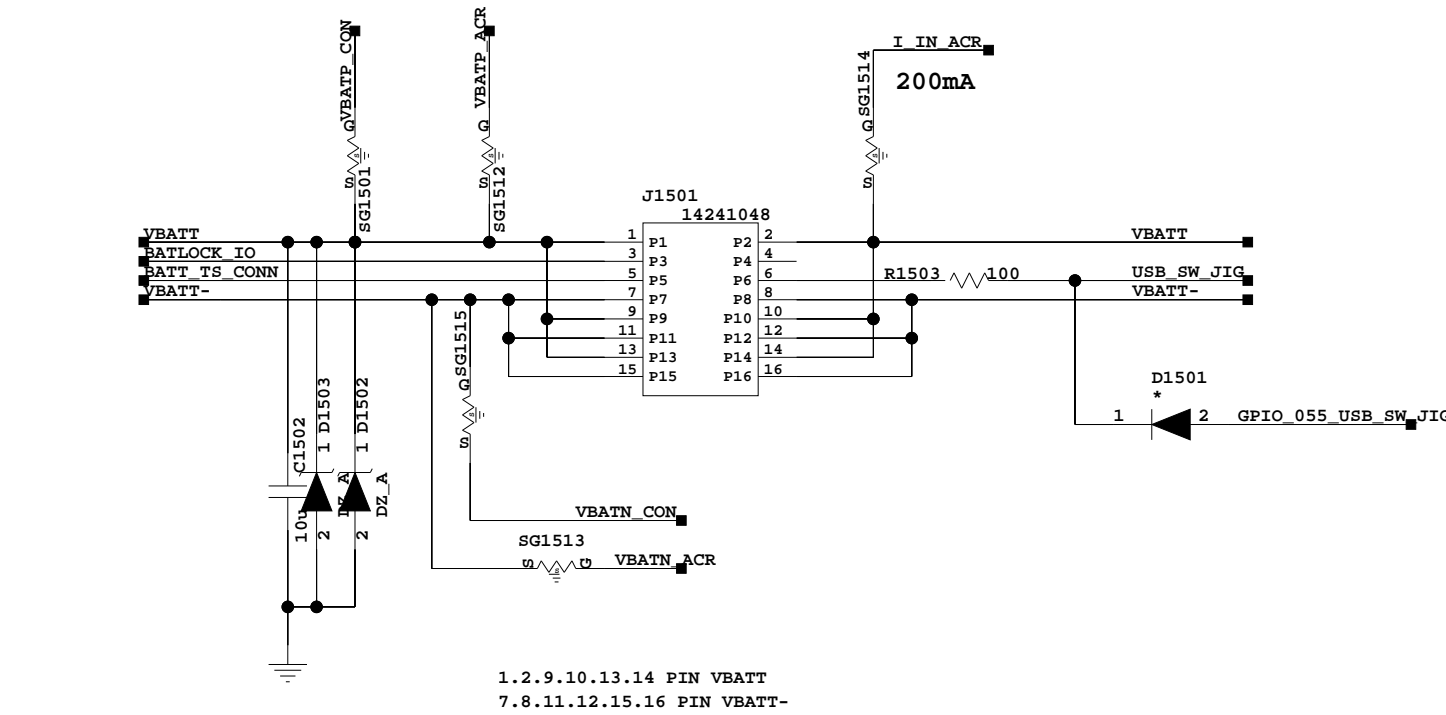
DESIGNED	HUAWEI	MATE20 PORSCHEDESIGN	PorscheDesign
REVIEWED	HUAWEI	VER	PART_NUMBER
		B	03088GSJ
			SHEET 14 OF AN50LPDDR4X
			HUAWEI TECH CO.,LTD.

# 15. Battery & Fuel gauge

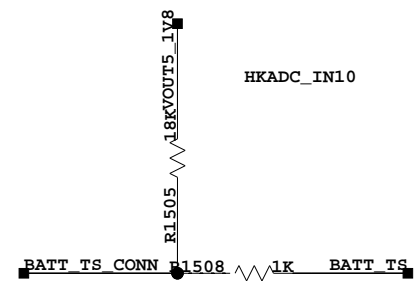


该文档是极速PDF编辑器生成，  
如果想去掉该提示，请访问并下载：  
<http://www.jisupdfeditor.com/>

## Battery Connector

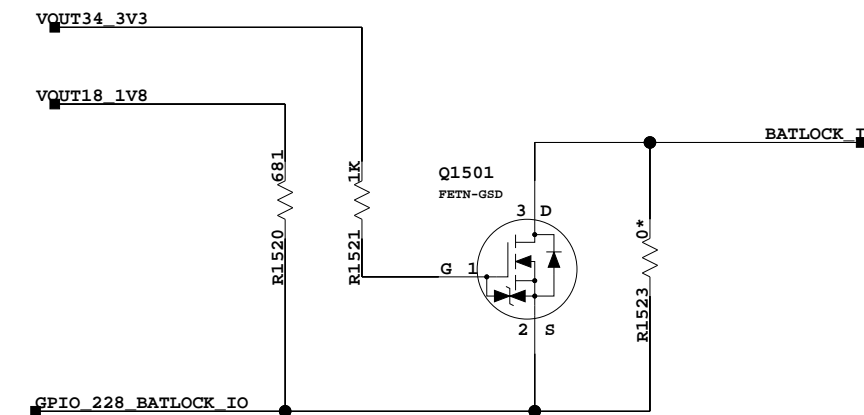
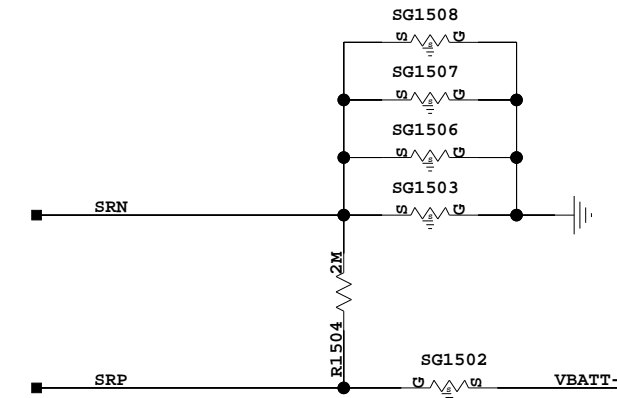


## Battery Temperature



CAD note: 1.Trace for 8A

2.Differential trace



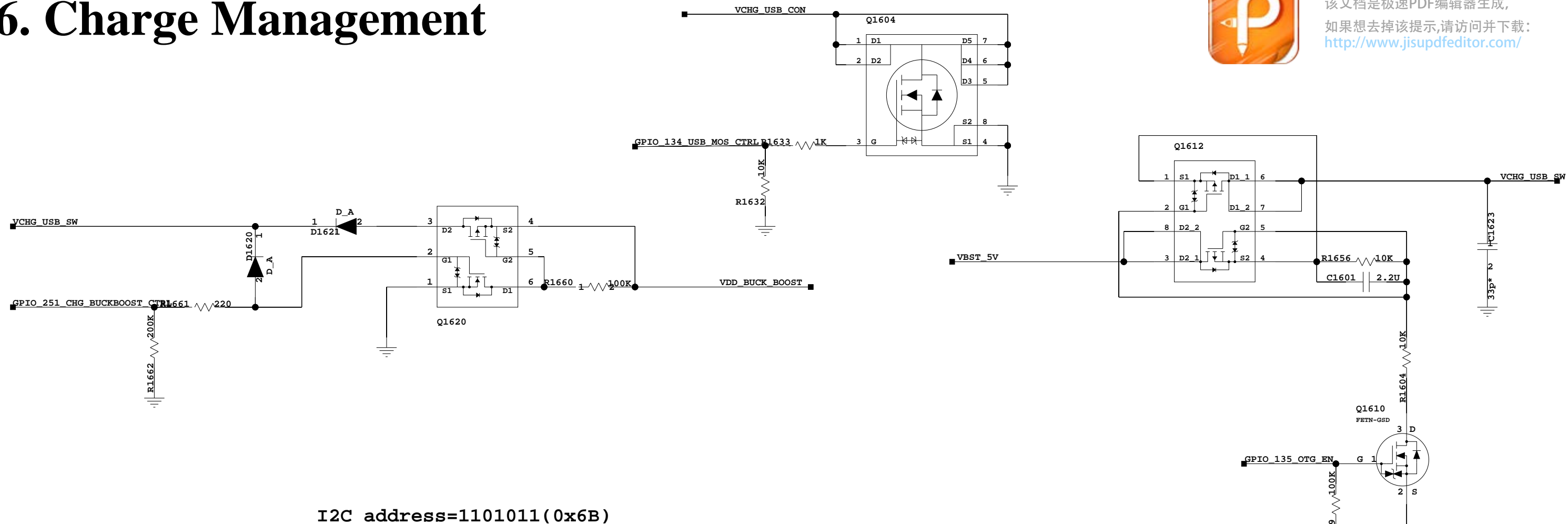
The type and specification of the components refer to the BOM

				NA	2018-11-01
				ECA NO	DATE
DESIGNED	HUAWEI	MATE20 PORSCHEDESIGN		PorscheDesign	
REVIEWED	HUAWEI	VER	PART_NUMBER	SHEET 15 of 20	
		B	03088GSJ	HUAWEI TECH CO.,LTD.	

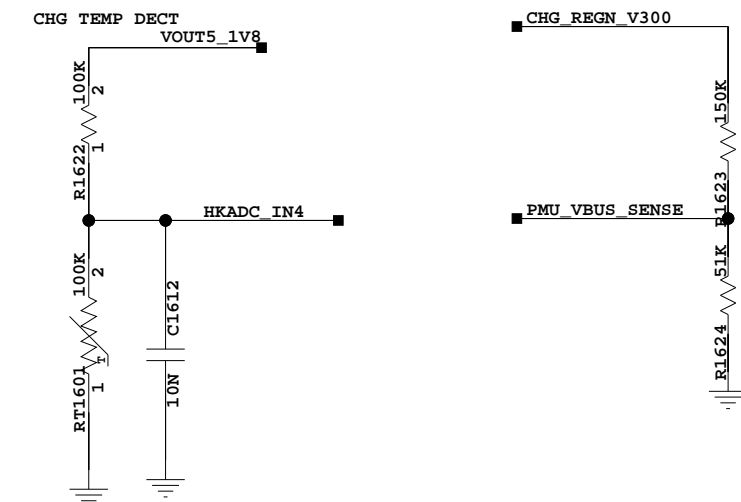
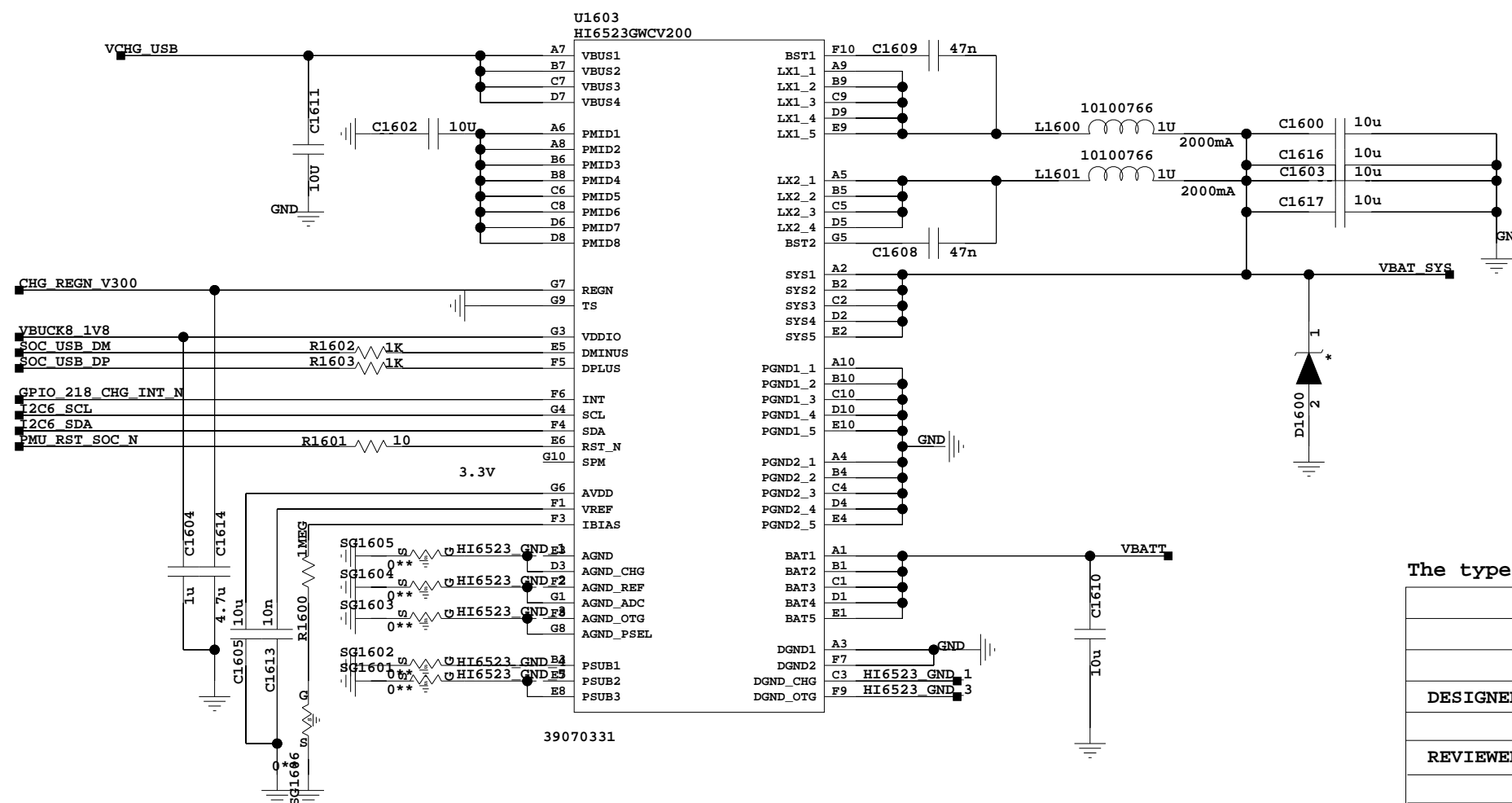
# 16. Charge Management



该文档是极速PDF编辑器生成，  
如果想去掉该提示，请访问并下载：  
<http://www.jisupdfeditor.com/>



I2C address=1101011(0x6B)



The type and specification of the components refer to the BOM

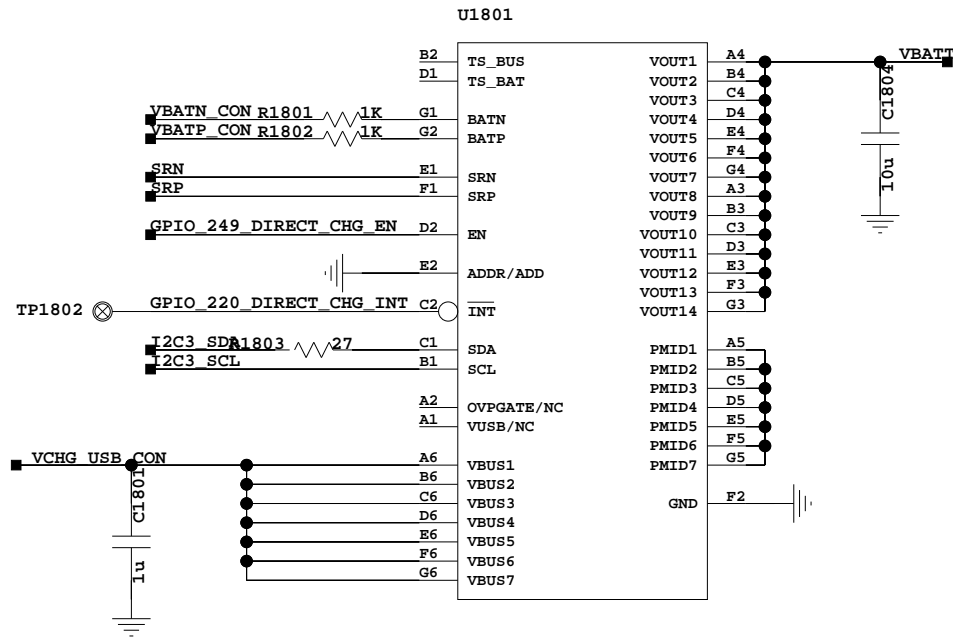
DESIGNED	HUAWEI	VER	PART_NUMBER	SHEET 16 of 16	28-07-2018_10:55
REVIEWED	HUAWEI	B	03088GSJ	HUAWEI TECH CO.,LTD.	2018-11-01
<b>MATE20 PORSCHE DESIGN</b>					DATE





# 18. Direct Charge

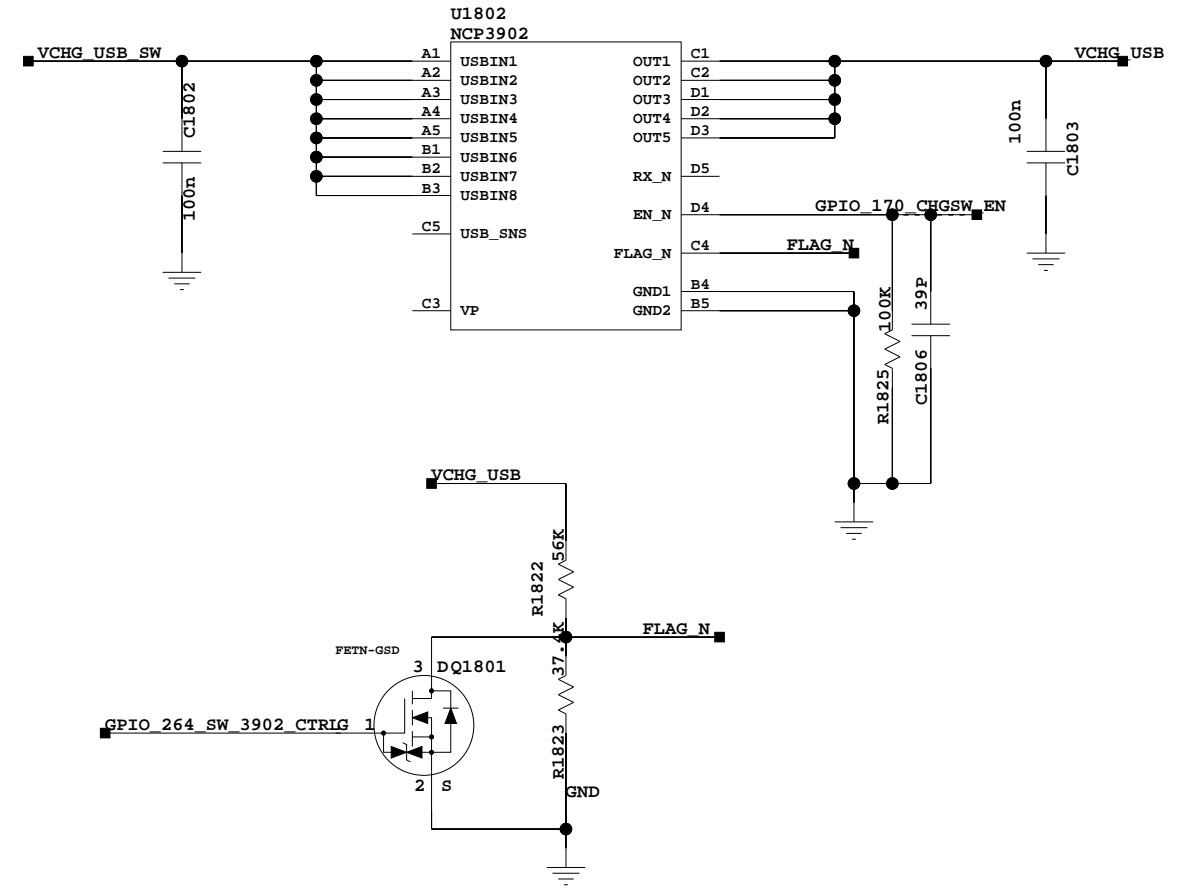
I2C Address=1100111(0x67)



# Wireless Charge



该文档是极速PDF编辑器生成, 如果想去掉该提示, 请访问并下载: <http://www.jisupdfeditor.com/>

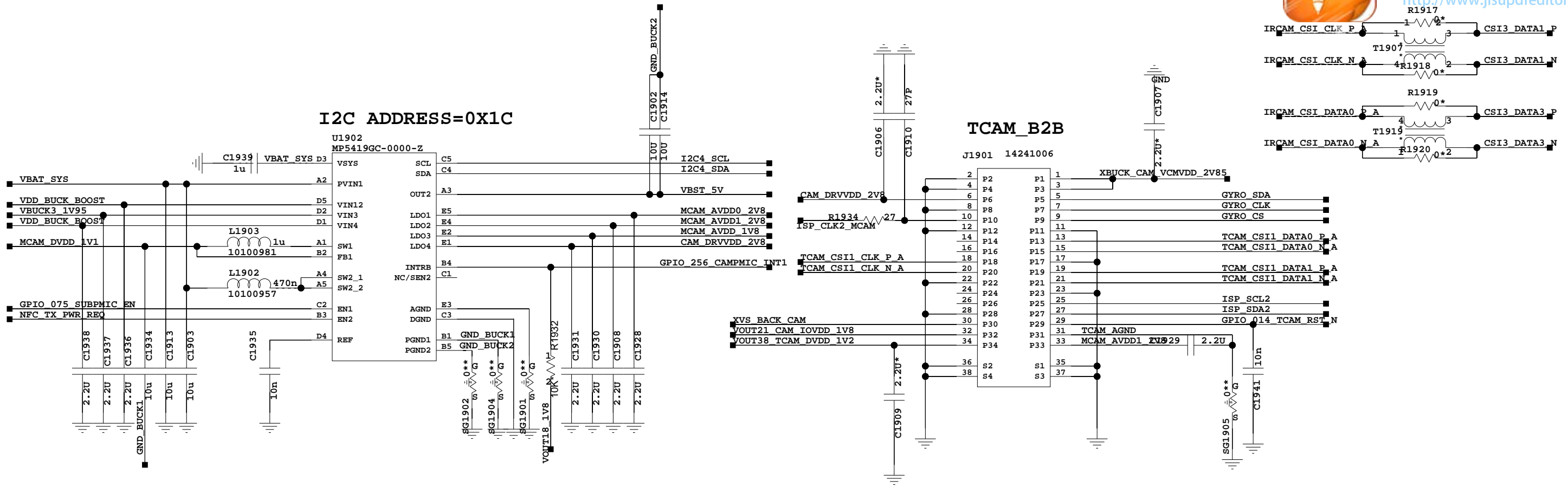


The type and specification of the components refer to the BOM

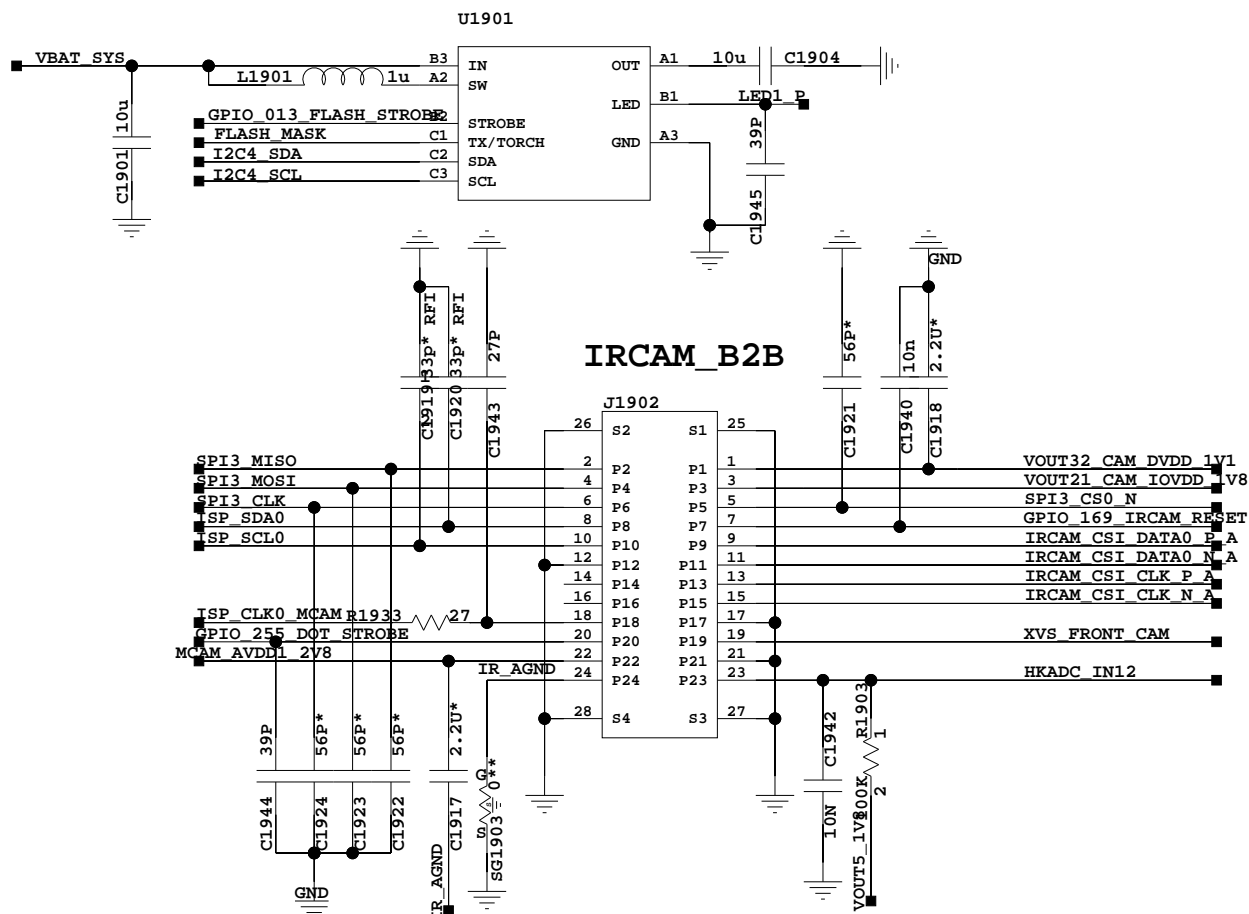
				28-07-2018_10:55
				2018-11-01
			ECA NO	DATE
DESIGNED	HUAWEI	MATE20 PORSCHE DESIGN		
REVIEWED	HUAWEI			
		VER	PART_NUMBER	SHEET 18 DirectCharger
		B	03088GSJ	HUAWEI TECH CO.,LTD.

# 19. Flash LED

该文档是极速PDF编辑器生成, 如要去掉该提示, 请访问并下载: <http://www.jisupdfeditor.com/>



I2C address=0x63(TI)/0x67(MPS)  
rear camera single flash led  
software set the limit current 1.5A



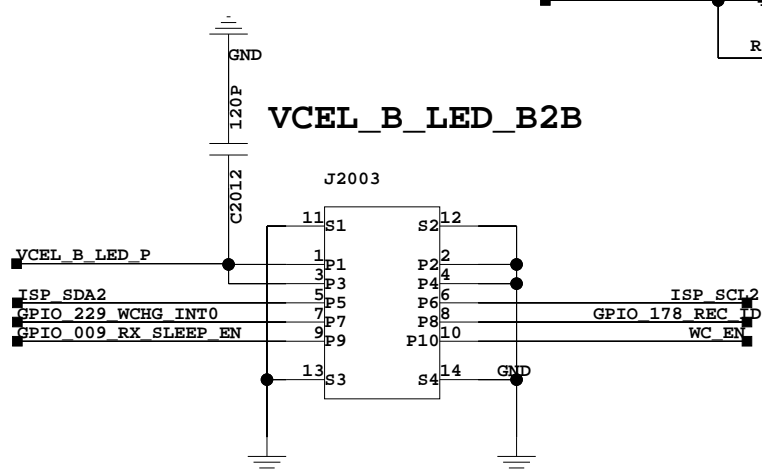
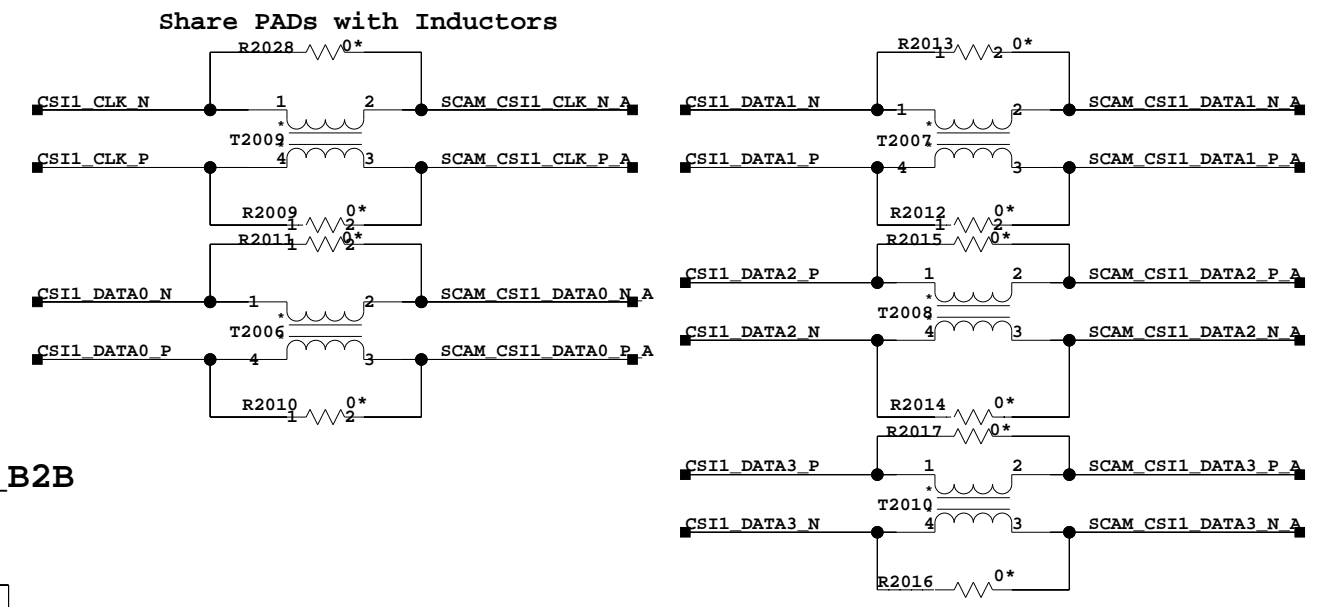
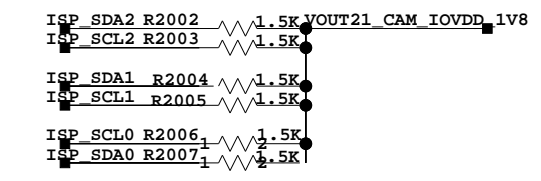
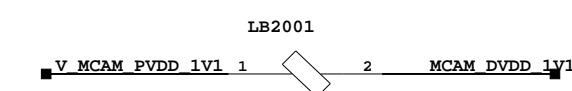
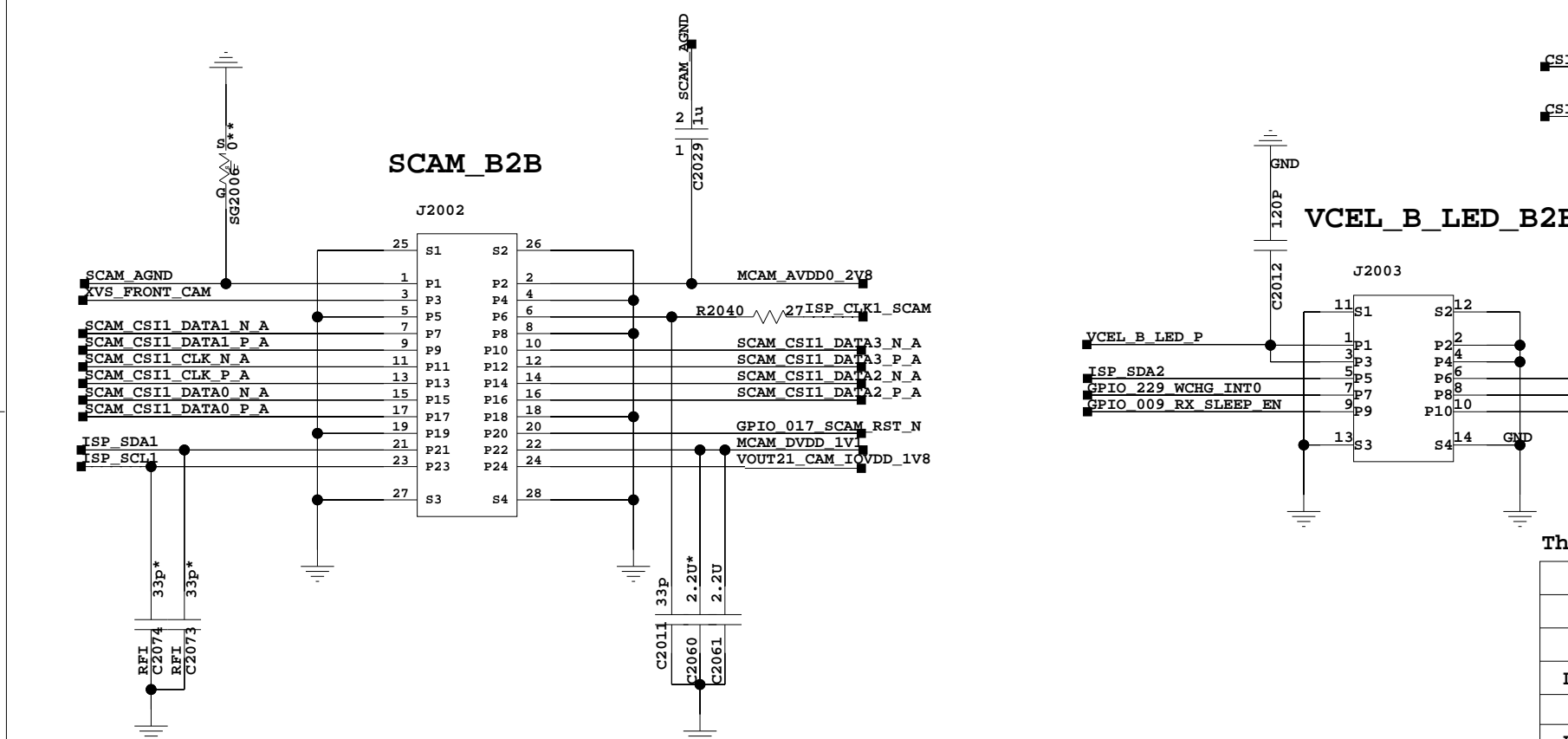
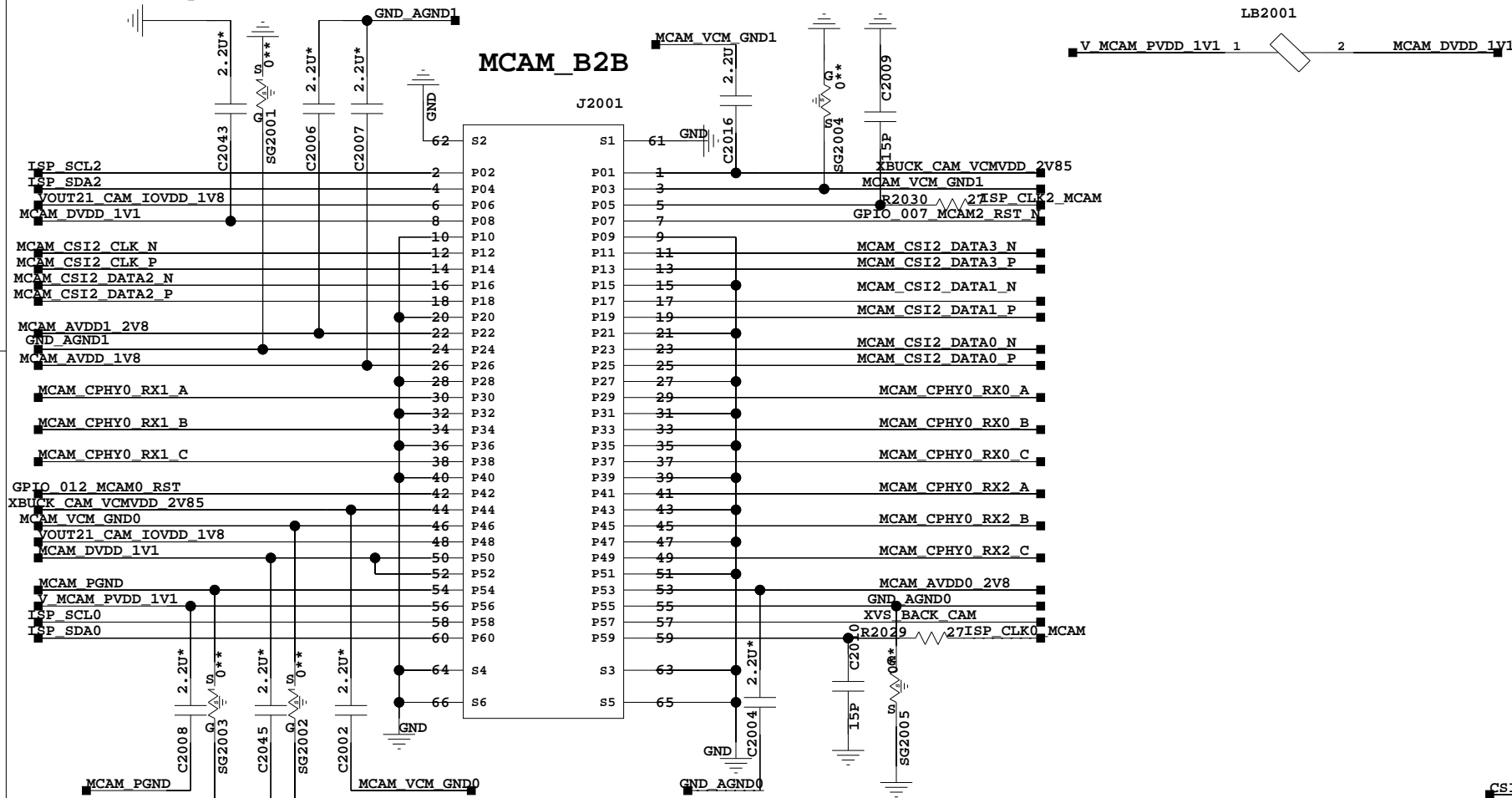
The type and specification of the components refer to the BOM

				NA	2018-11-01
				ECA NO	DATE
DESIGNED	HUAWEI	MATE20 PORSCHEDESIGN PorscheDesign			
REVIEWED	HUAWEI				
VER	PART_NUMBER	SHEET 19		Flash LED	
B	03088GSJ	HUAWEI TECH CO.,LTD.			

# 20. Camera



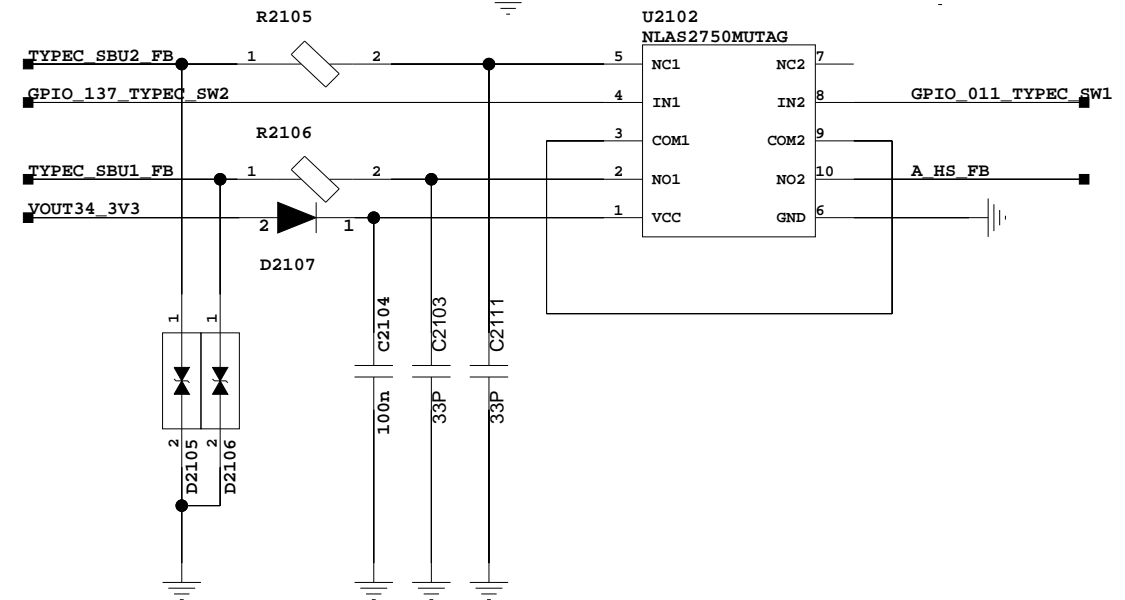
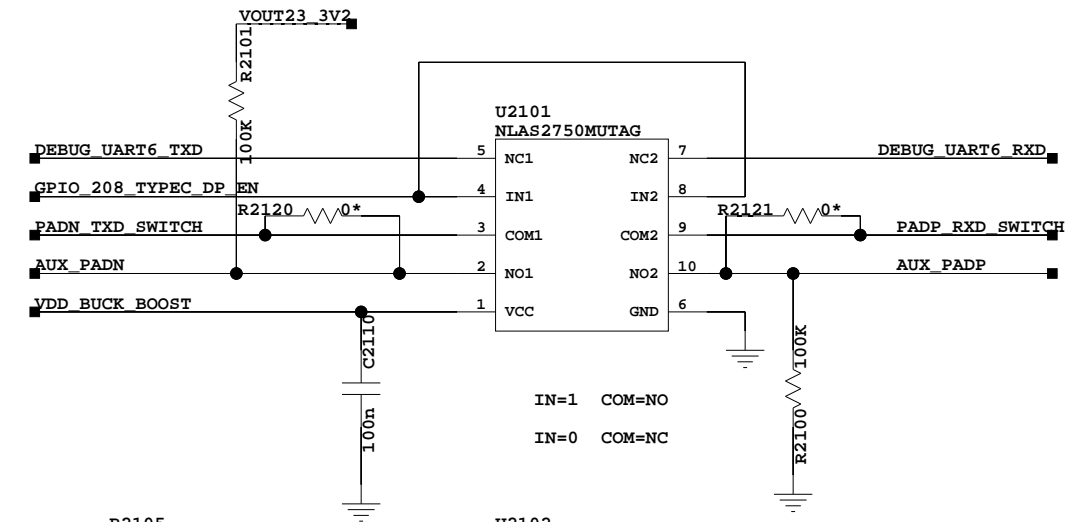
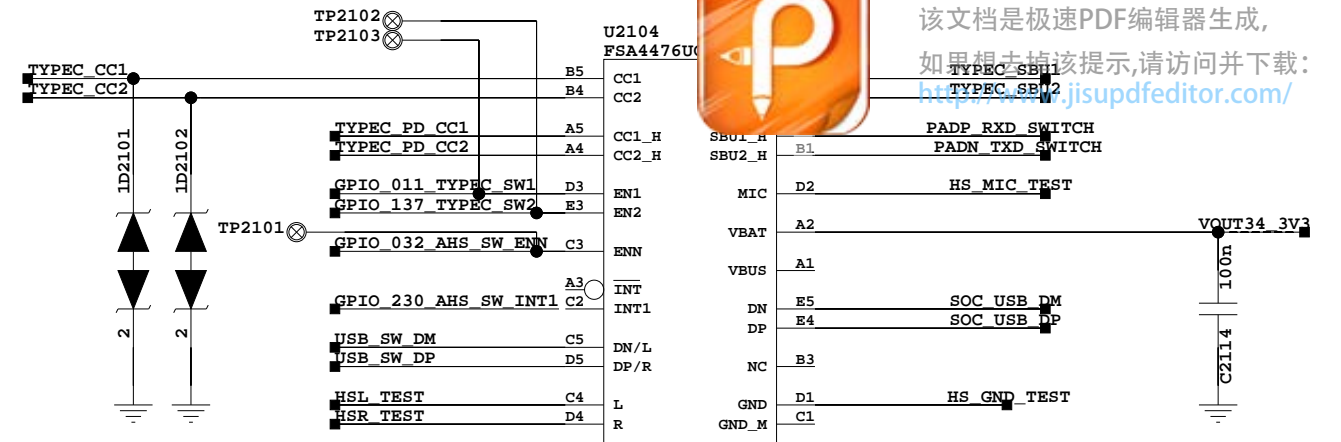
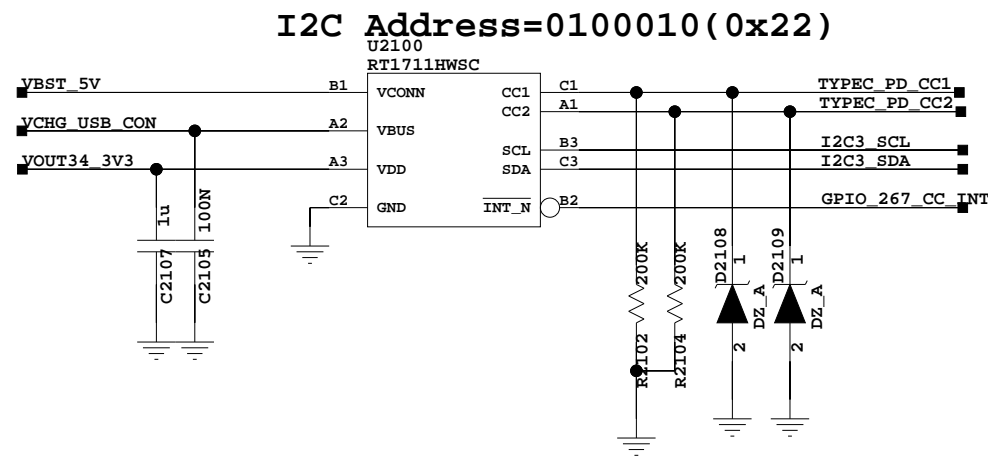
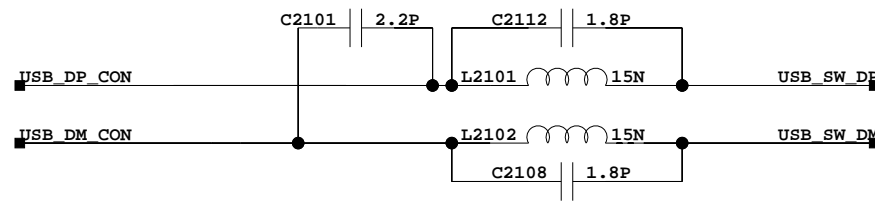
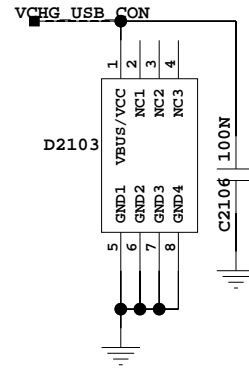
该文档是极速PDF编辑器生成，  
如果想去掉该提示，请访问并下载：  
<http://www.jisupdfeditor.com/>



The type and specification of the components refer to the BOM

					2018-11-01
				ECA NO	DATE
DESIGNED	HUAWEI	MATE20 PORSCHEDESIGN		PorscheDesign	
REVIEWED	HUAWEI				
		VER	PART_NUMBER	SHEET 20 Camera60	
		B	03088GSJ	HUAWEI TECH CO.,LTD.	

# 21. TYPE-C INTERFACE



The type and specification of the components refer to the BOM

				NA	2018-11-01
				ECA NO	DATE
DESIGNED	HUAWEI	MATE20 PORSCHEDESIGN PorscheDesign			
REVIEWED	HUAWEI				
		VER	PART_NUMBER	SHEET 21 of 60	
		B	03088GSJ	HUAWEI TECH CO.,LTD.	

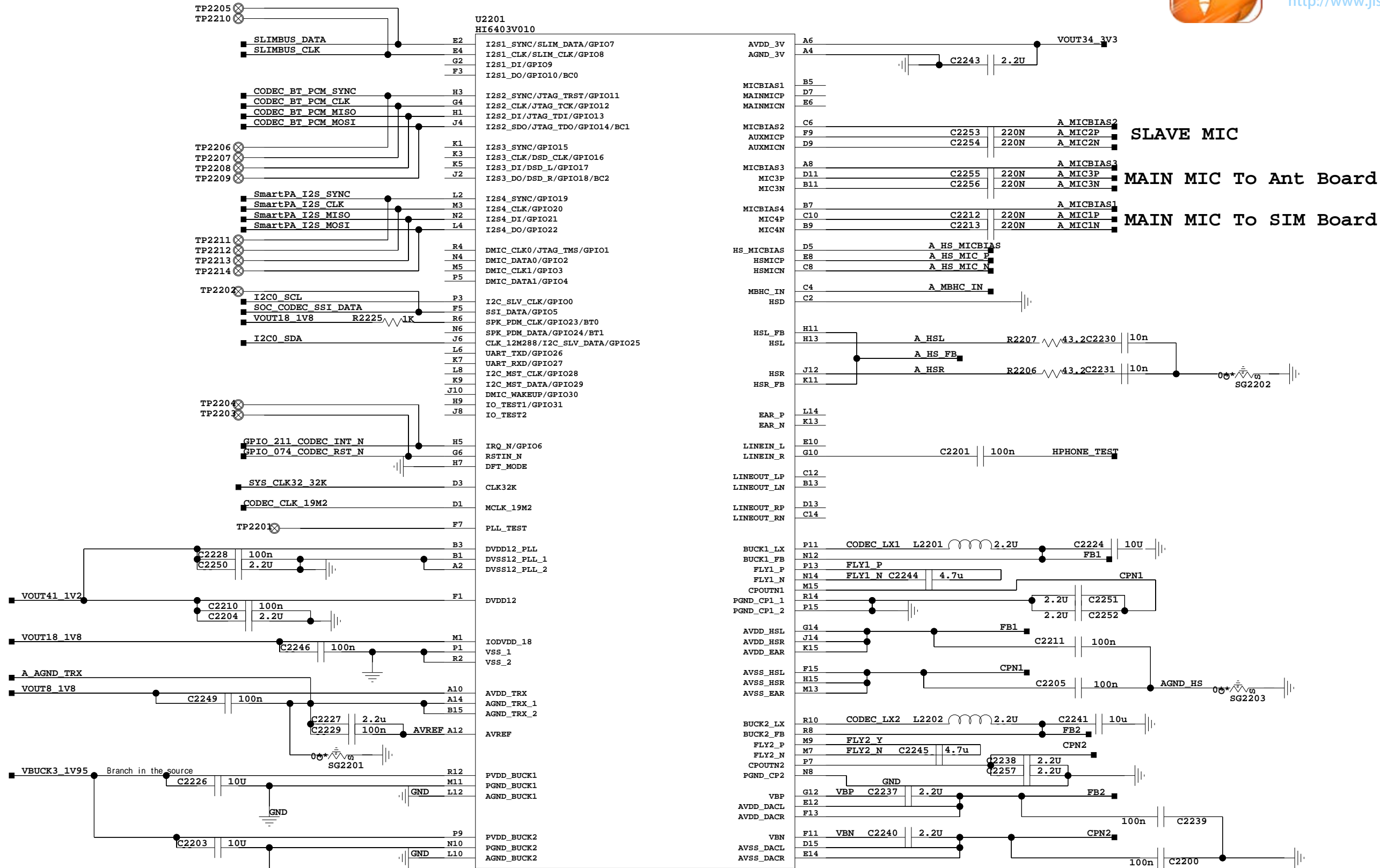


该文档是极速PDF编辑器生成，  
如果想去除该提示，请访问并下载：  
<http://www.jisupdfeditor.com/>

# 22.CODEC HI6403



该文档是极速PDF编辑器生成，  
如果想去掉该提示，请访问并下载：  
<http://www.jisupdfeditor.com/>



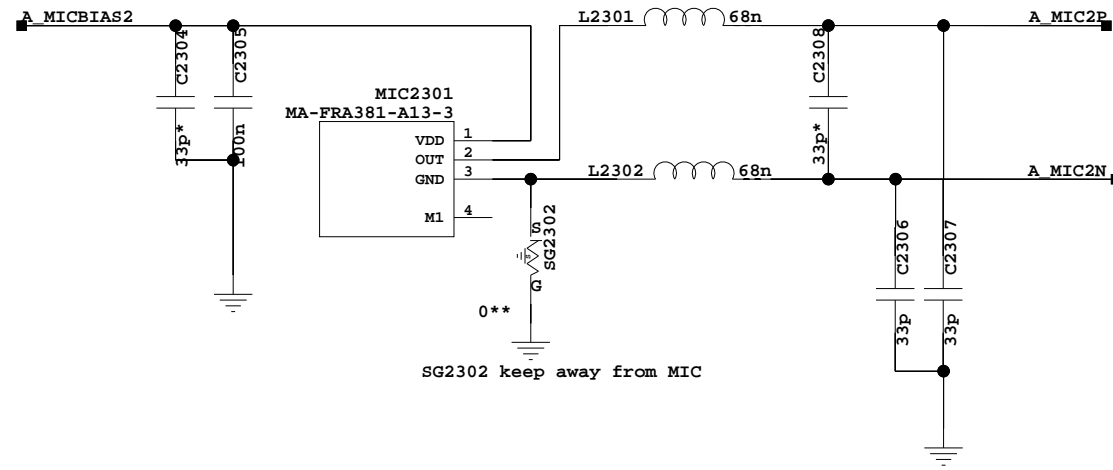
The type and specification of the components refer to the BOM

BootMode0	BootMode1	Function(BootROM Start)
1	1	NA
1	0	SSI Start
0	1	I2C Start
0	0	SLIMBUS Start

DESIGNED	HUAWEI	MATE20 PORSCHEDESIGN	VER	PART_NUMBER	SHEET 22 Codec 60
REVIEWED	HUAWEI		B	03088GSJ	HUAWEI TECH CO.,LTD.

# 23. MIC/VIB

## Slave MIC



该文档是极速PDF编辑器生成，  
如果想去掉该提示，请访问并下载：  
<http://www.jisupdfeditor.com/>

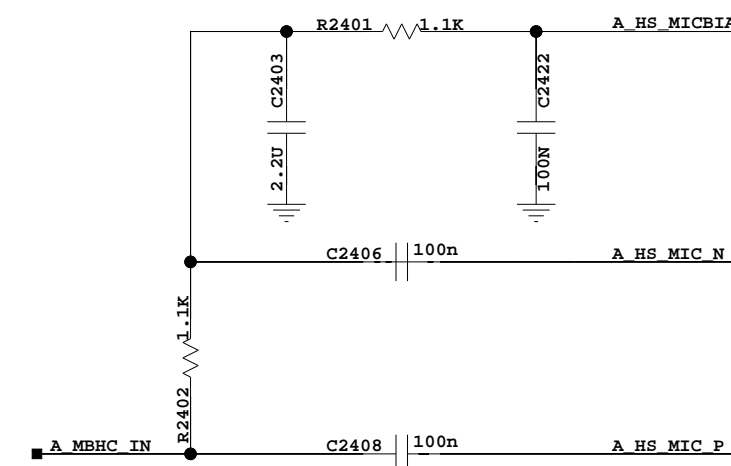
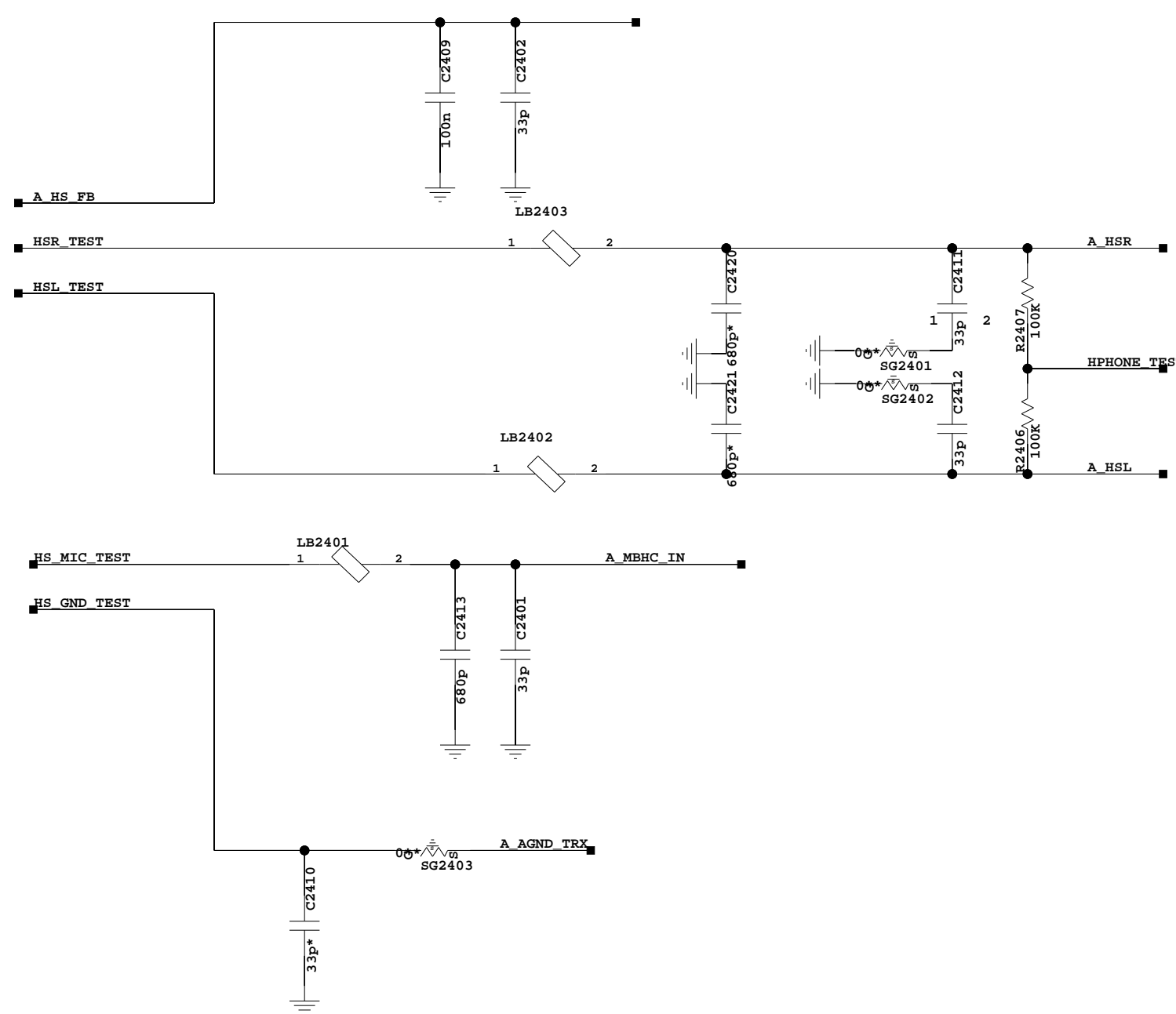
The type and specification of the components refer to the BOM

				NA	2018-11-01
				ECA NO	DATE
DESIGNED	HUAWEI	MATE20 PORSCHEDESIGN PorscheDesign			
REVIEWED	HUAWEI				
		VER	PART_NUMBER	SHEET 23 MDC VIBator	
		B	03088GSJ	HUAWEI TECH CO.,LTD.	

# 24. Headphone



该文档是极速PDF编辑器生成，  
如果想去掉该提示，请访问并下载：  
<http://www.jisupdfeditor.com/>



The type and specification of the components refer to the BOM

					2018-11-01
				ECA NO	DATE
DESIGNED	HUAWEI	MATE20 PORSCHEDESIGN PorscheDesign			
REVIEWED	HUAWEI				
		VER	PART_NUMBER	SHEET 24 Headphone	
		B	03088GSJ	HUAWEI TECH CO.,LTD.	

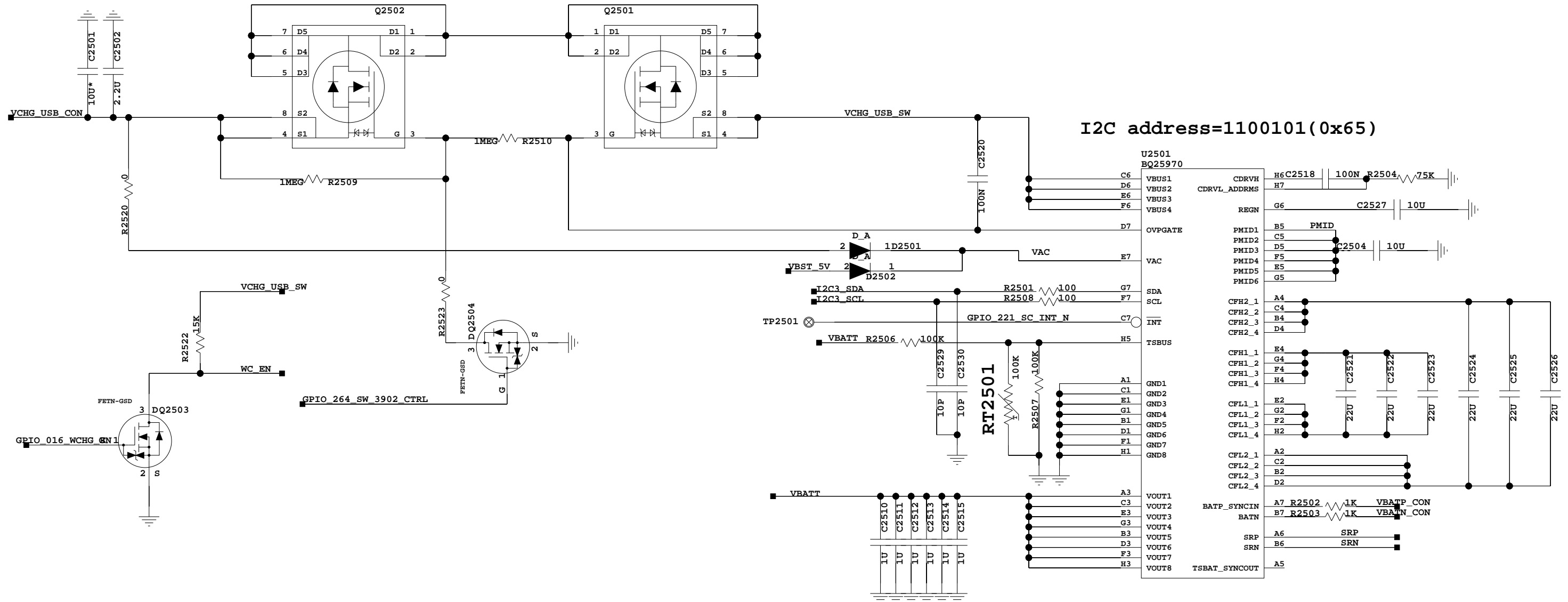


# 25. SC Charger



该文档是极速PDF编辑器生成，  
如果想去掉该提示，请访问并下载：  
<http://www.jisupdfeditor.com/>

regulator MOS



The type and specification of the components refer to the BOM

				28-07-2018_10:55
				2018-11-01
			ECA NO	DATE
DESIGNED	HUAWEI			
REVIEWED	HUAWEI			
		VER	PART_NUMBER	SHEET 25 OF 60
		B	03088GSJ	HUAWEI TECH CO.,LTD.

PorscheDesign  
MATE20 PORSCHEDESIGN

VER B PART\_NUMBER 03088GSJ SHEET 25 OF 60

HUAWEI TECH CO.,LTD.

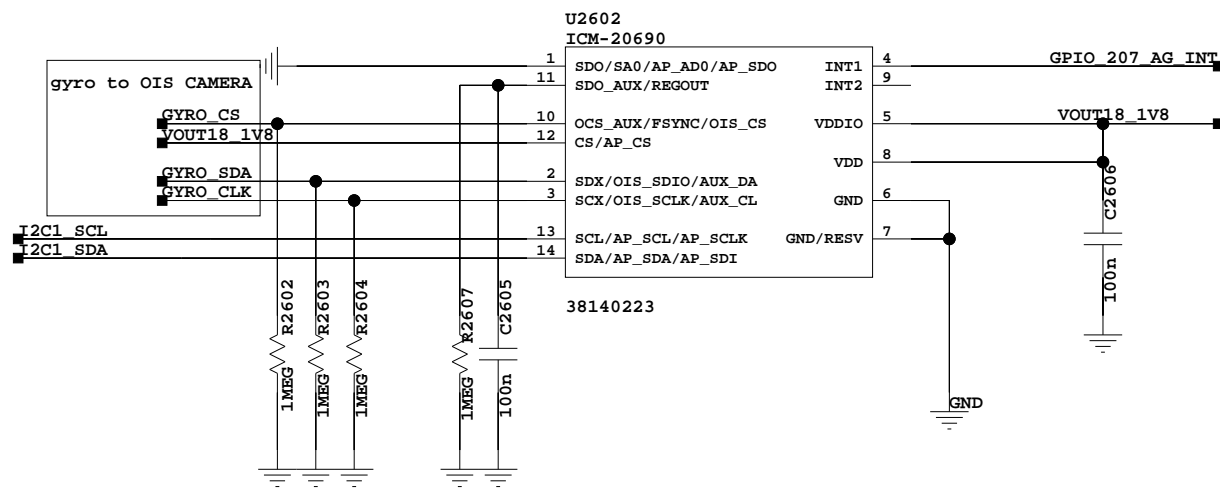
# 26. X-Sensor



该文档是极速PDF编辑器生成，  
如果想去掉该提示，请访问并下载：  
<http://www.jisupdfeditor.com/>

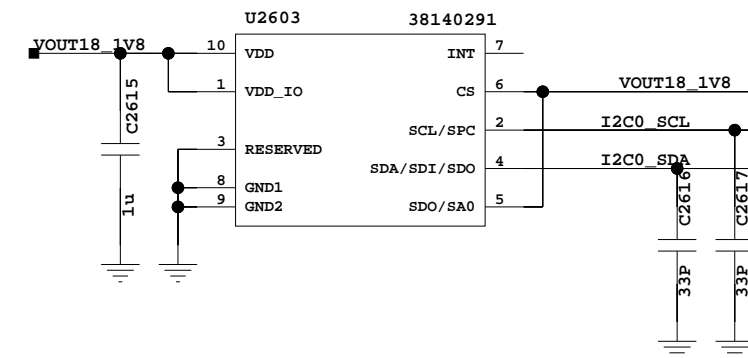
## Accelerometer and Gyroscope 6-AXIS SENSOR

SDO=1 ADDRESS=0X6B(ST)/0X69(INVENSENS)  
SDO=0 ADDRESS=0X6A(ST)/0X68(INVENSENS)

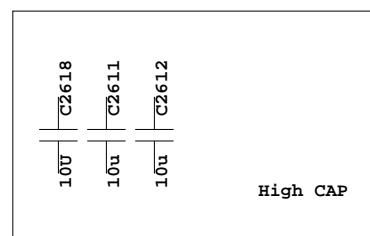
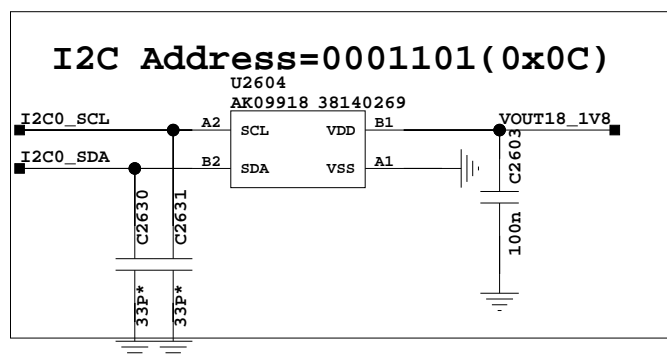


## Barometer

I2C Address=1011101(0x5D)



## Compass



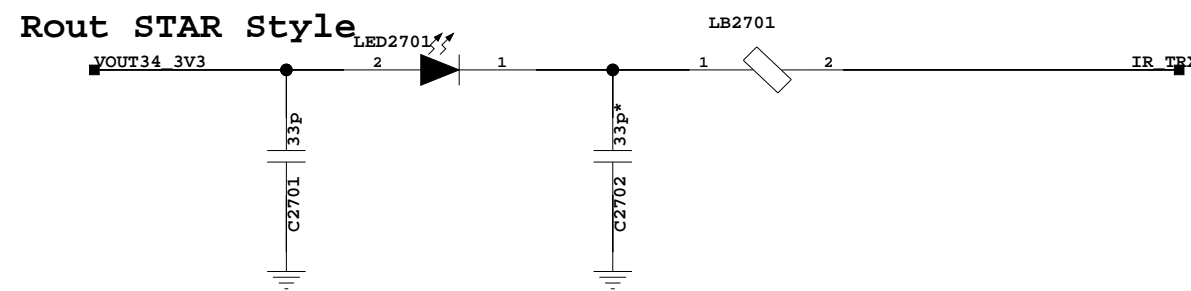
The type and specification of the components refer to the BOM

				NA	2012-09-20
				ECA NO	2018-11-01
DESIGNED	HUAWEI	MATE20 PORSCHEDESIGN PorscheDesign			
REVIEWED	HUAWEI				
		VER	PART_NUMBER	SHEET 26 X of 50	
		B	03088GSJ	HUAWEI TECH CO.,LTD.	

# 27. X-Sensor+IrDA



该文档是极速PDF编辑器生成，  
如果想去掉该提示，请访问并下载：  
<http://www.jisupdfeditor.com/>



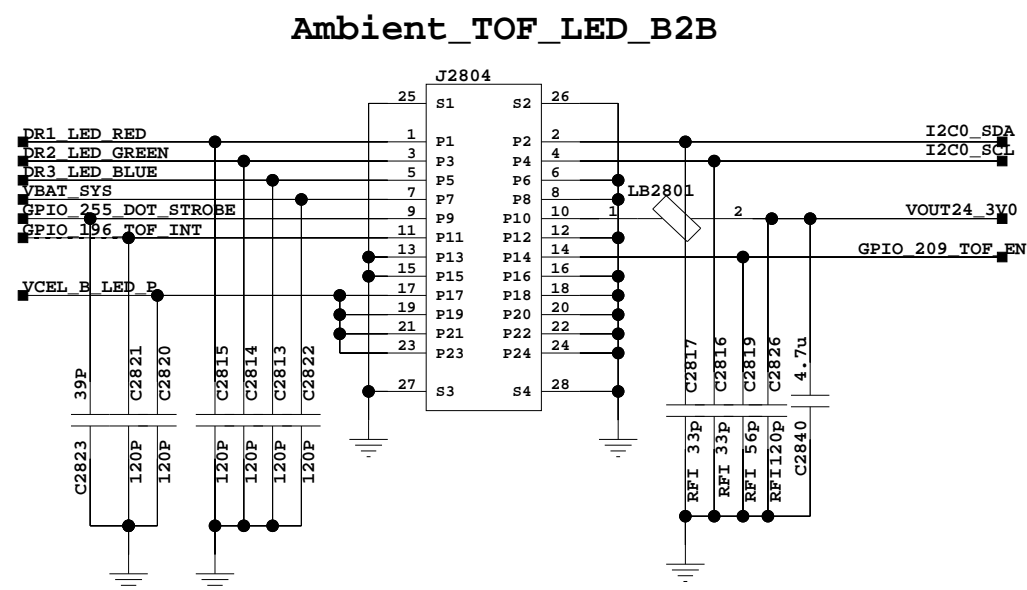
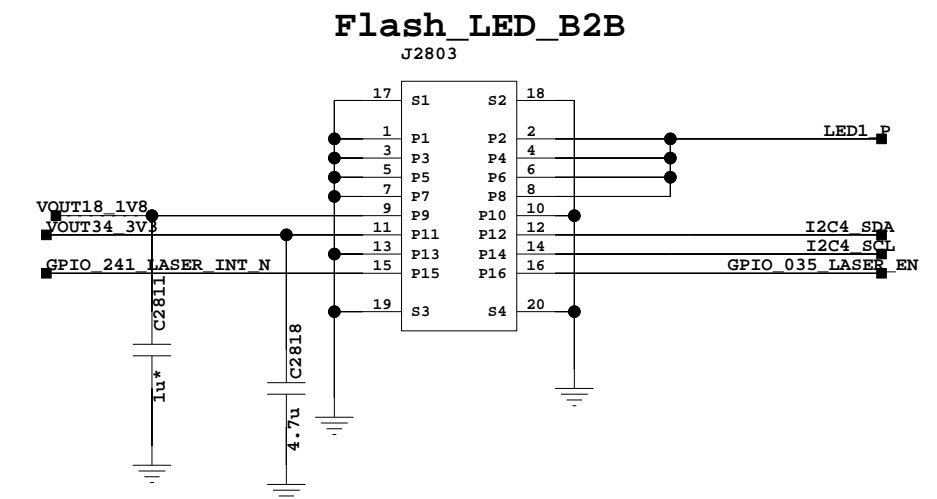
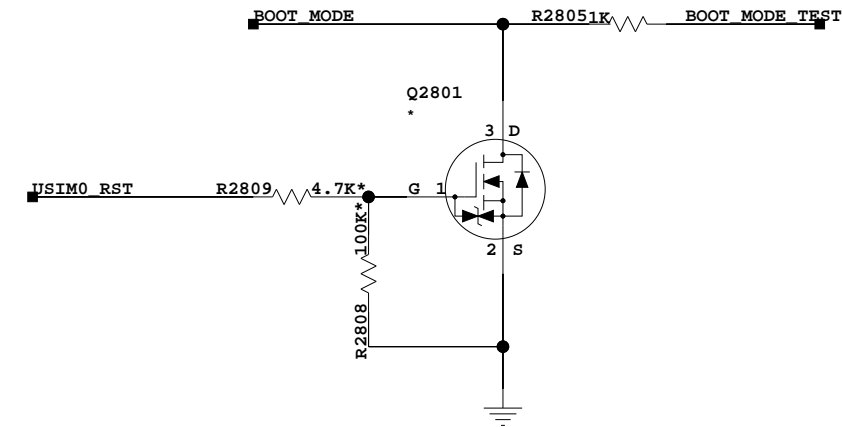
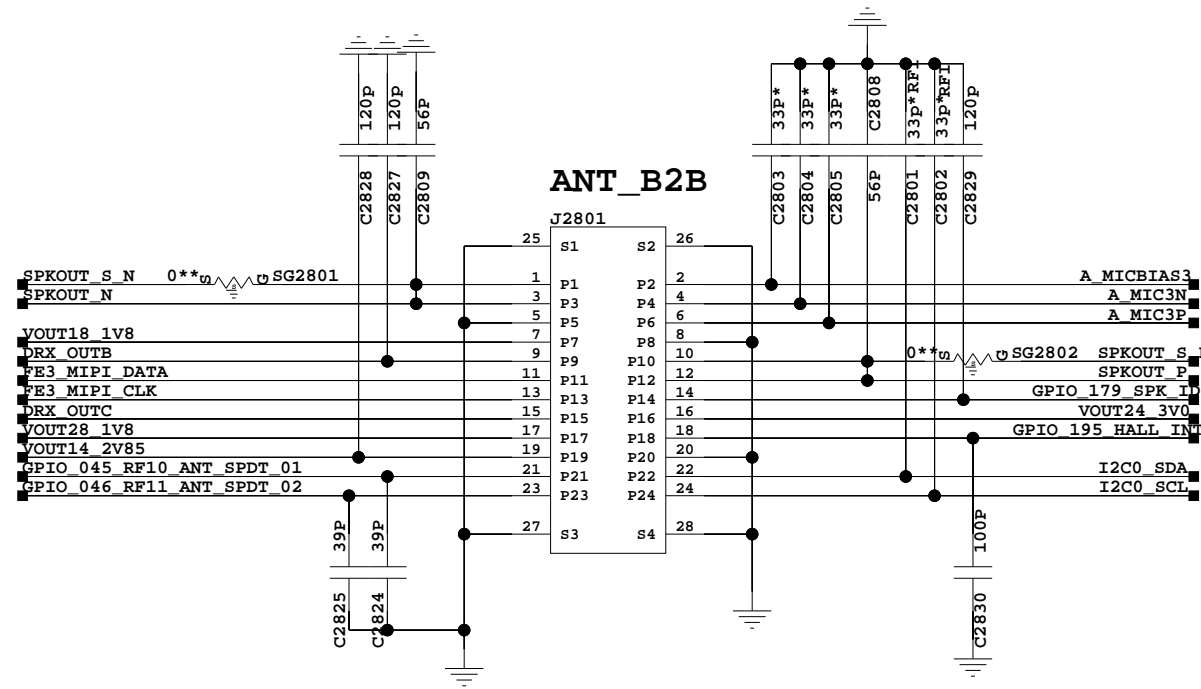
The type and specification of the components refer to the BOM

				NA	2018-11-01
				ECA NO	DATE
DESIGNED	HUAWEI			MATE20 PORSCHEDESIGN PorscheDesign	
REVIEWED	HUAWEI				
		VER	PART_NUMBER	SHEET 27 IRDA 60	
		B	03088GSJ	HUAWEI TECH CO.,LTD.	

# 28.BTB interface



该文档是极速PDF编辑器生成，  
如果想去掉该提示，请访问并下载：  
<http://www.jisupdfeditor.com/>



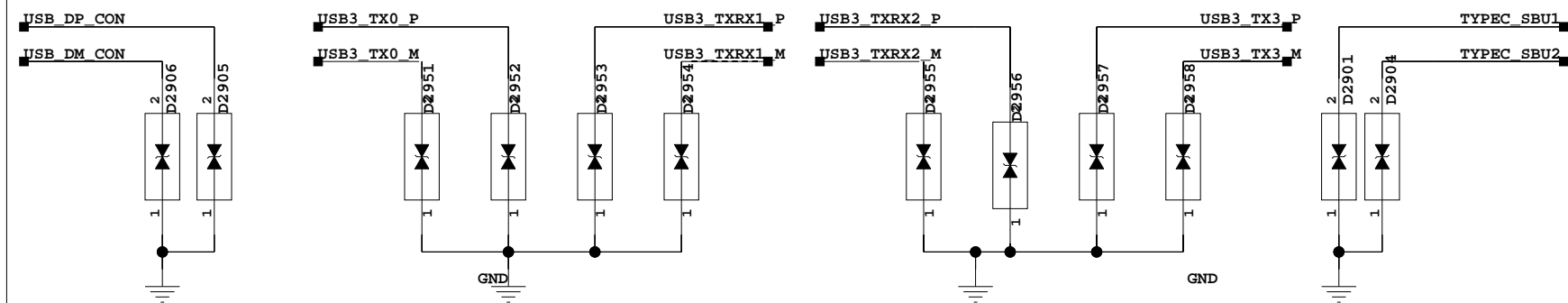
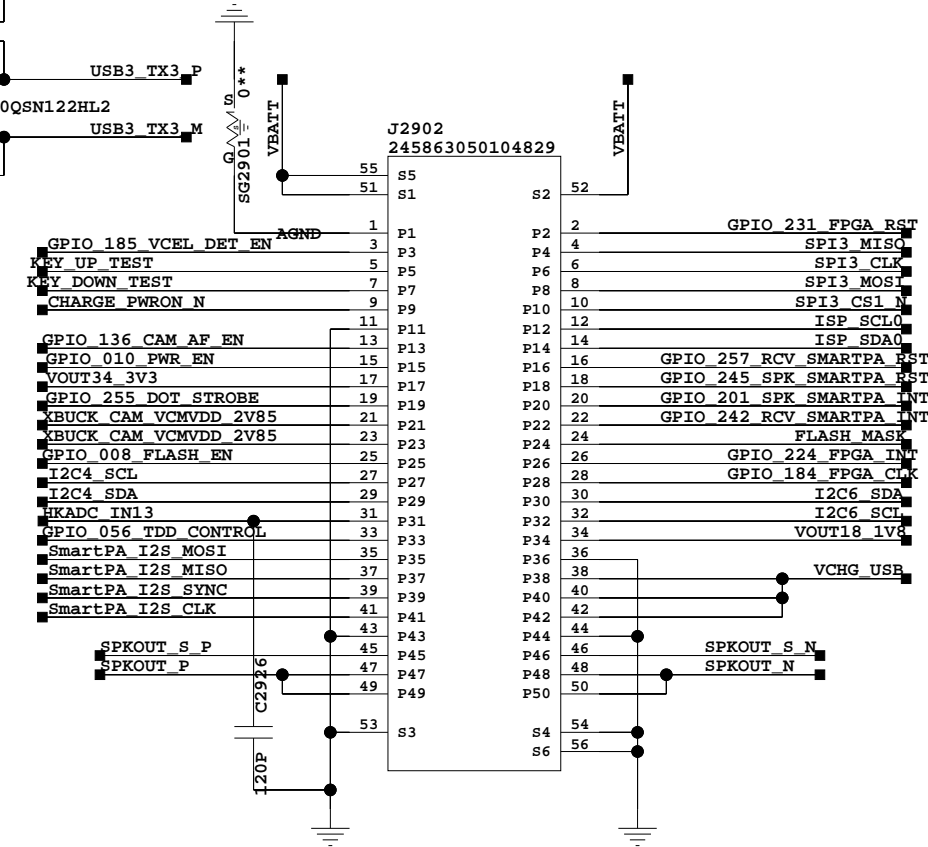
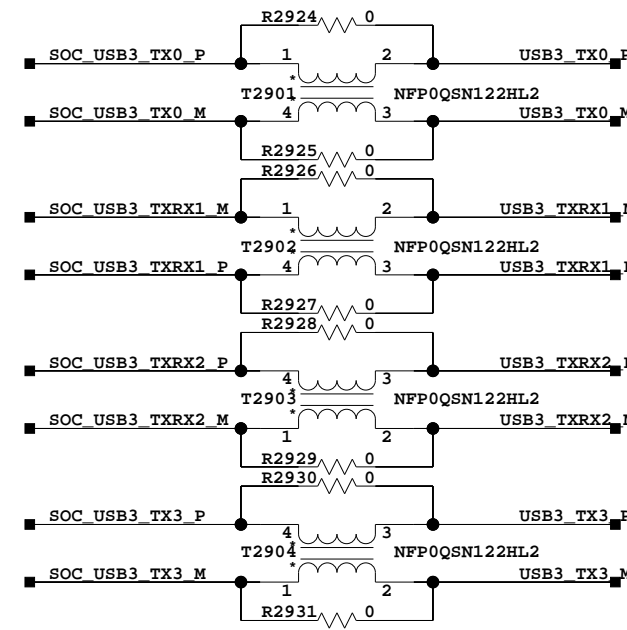
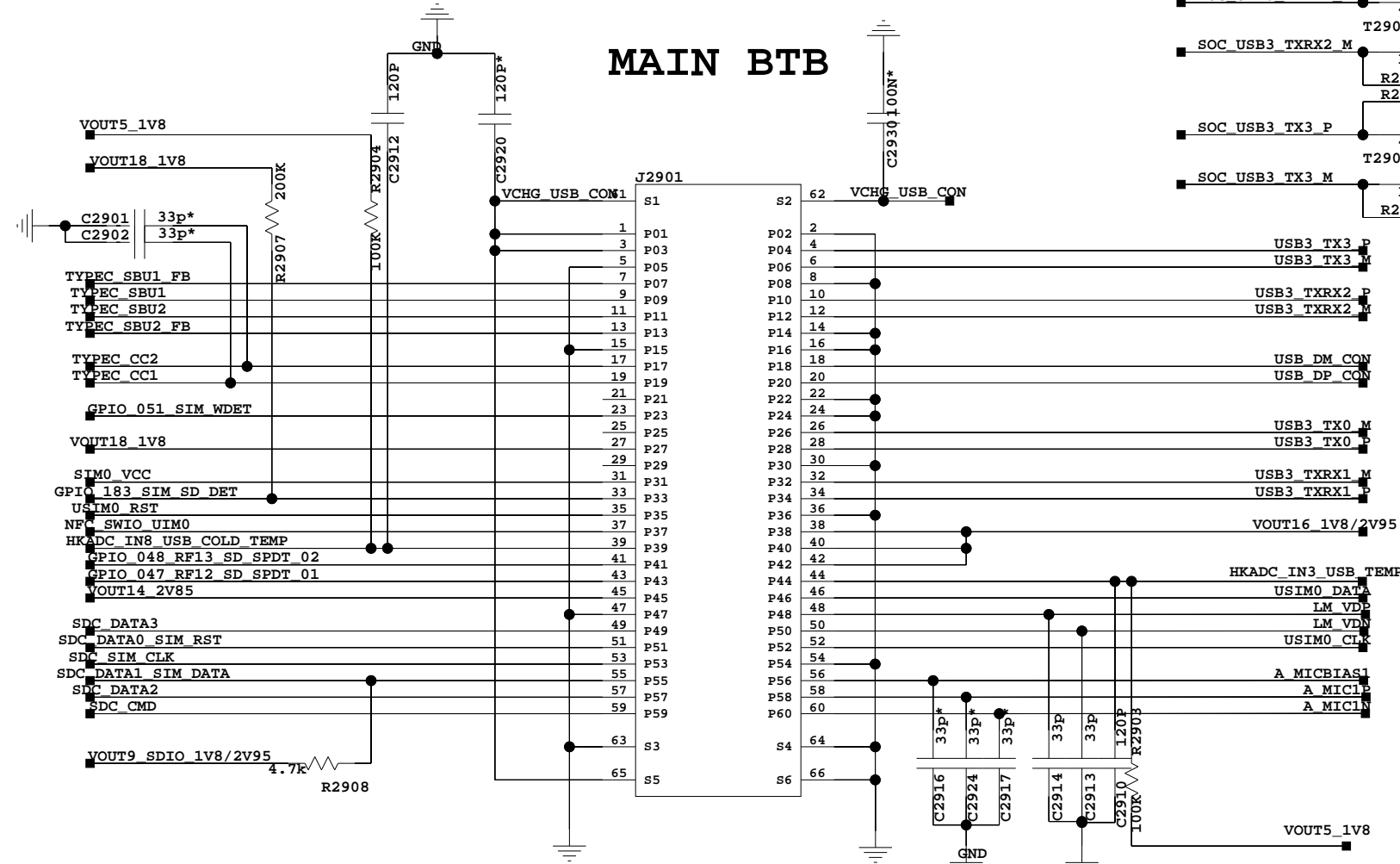
The type and specification of the components refer to the BOM

				NA	2018-11-01
				ECA NO	DATE
DESIGNED	HUAWEI	MATE20 PORSCHEDESIGN PorscheDesign			
REVIEWED	HUAWEI				
		VER	PART_NUMBER	SHEET 28 BTD interface	
		B	03088GSJ	HUAWEI TECH CO.,LTD.	

# 29. Main BTB



该文档是极速PDF编辑器生成，  
如果想去掉该提示，请访问并下载：  
<http://www.jisupdfeditor.com/>



The type and specification of the components refer to the BOM

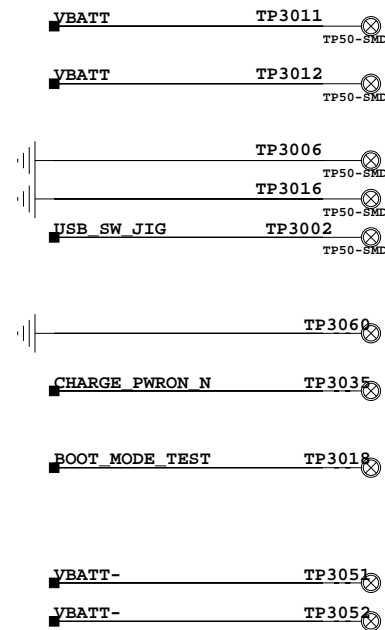
DESIGNED	HUAWEI	VER	PART_NUMBER	SHEET	29 Main Connector
REVIEWED	HUAWEI	B	03088GSJ	HUAWEI TECH CO.,LTD.	
				28-07-2018_10:55	
				2018-11-01	
				ECA NO	DATE
MATE20 PORSCHE DESIGN					

# 30. Test Points/Shields

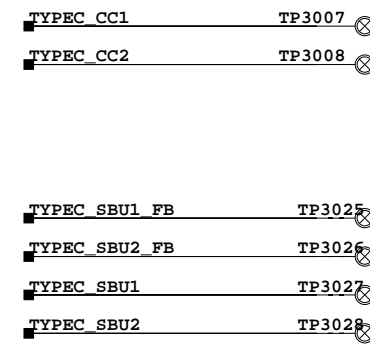


该文档是极速PDF编辑器生成，  
如果想去掉该提示，请访问并下载：  
<http://www.jisupdfeditor.com/>

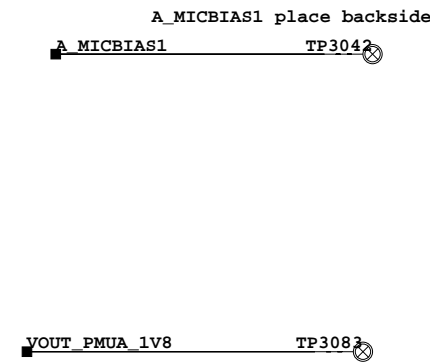
## CBT TEST POINT



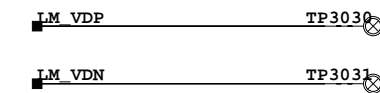
## TYPE C



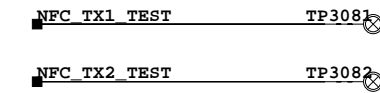
## MIC



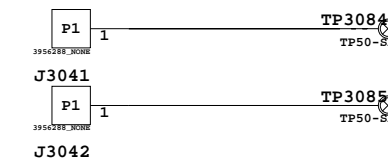
## Vibrator



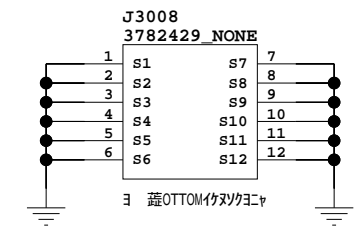
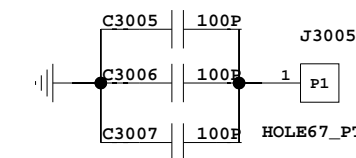
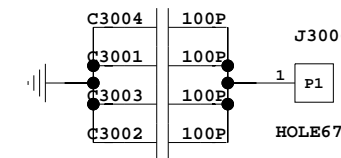
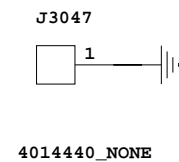
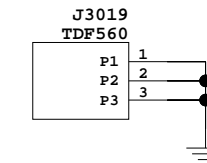
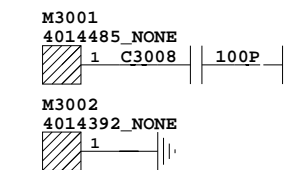
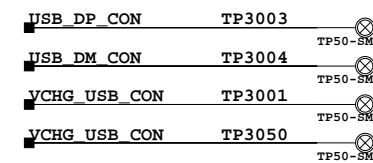
## NFC



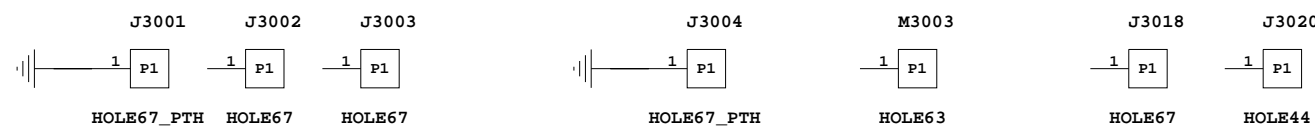
## Wireless Charge



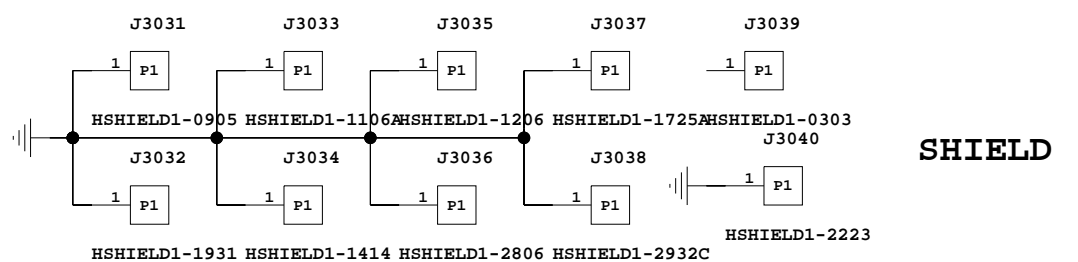
## USB



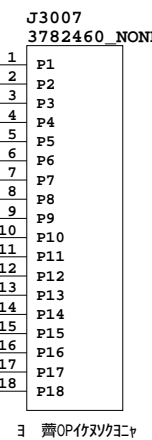
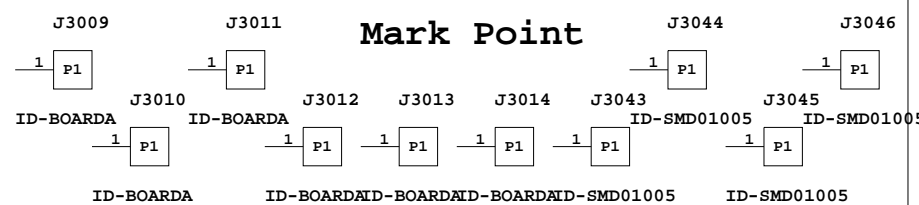
## HOLE will be confirmed later



## SHIELD



## Mark Point



The type and specification of the components refer to the BOM

				28-07-2018_10:55
				2018-11-01
		ECA NO		DATE
DESIGNED	HUAWEI	MATE20 PORSCHE DESIGN		
REVIEWED	HUAWEI			
		VER	PART_NUMBER	SHEET 30 Test Point
		B	03088GSJ	HUAWEI TECH CO.,LTD.

# 31.RF Interface



该文档是极速PDF编辑器生成，  
如果想去掉该提示，请访问并下载：  
<http://www.jisupdfeditor.com/>

RFIC1 IQ

POWER

GSM

CLK

HKADC

For RFIC

GSM Ramp PA

RFIC2 IQ

GPIO Interface

MIPI Interface

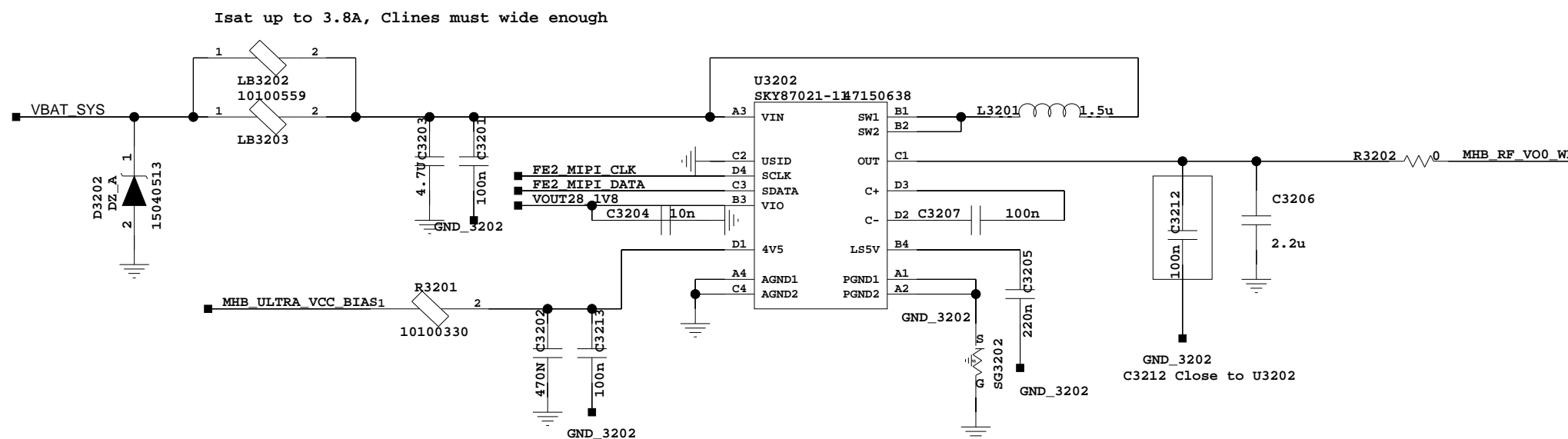
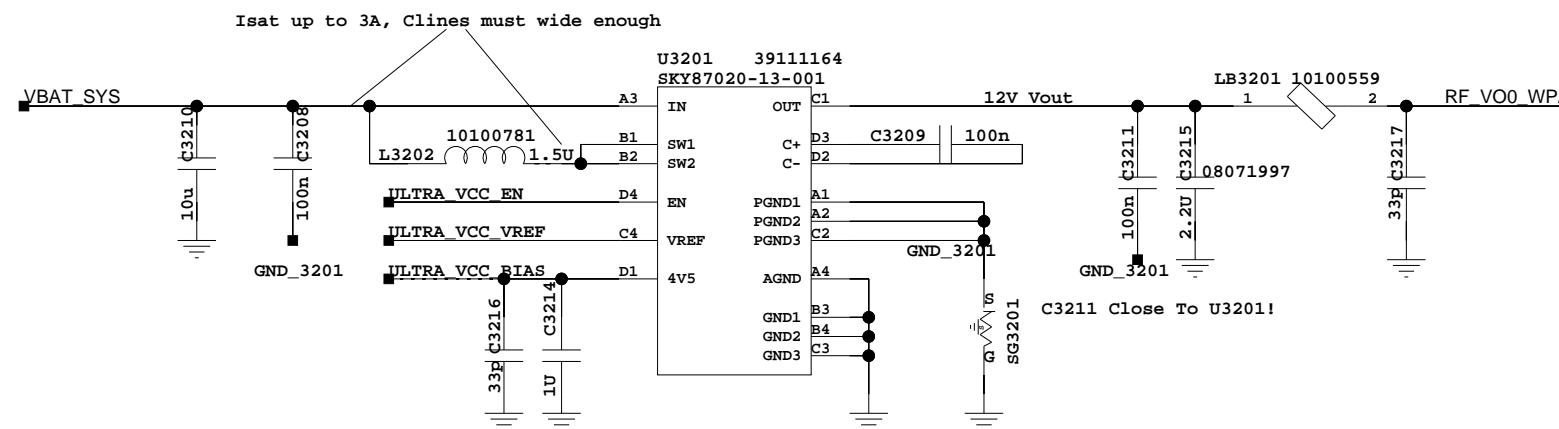
The type and specification of the components refer to the BOM

					28-07-2018_10:55
					2018-11-01
				ECA NO	DATE
DESIGNED	HUAWEI	MATE20 PORSCHEDESIGN		PorscheDesign	
REVIEWED	HUAWEI				
		VER	PART_NUMBER	SHEET	31 RFInterface
		B	03088GSJ	HUAWEI TECH CO.,LTD.	

# 32.RF PMU



该文档是极速PDF编辑器生成，  
如果想去掉该提示，请访问并下载：  
<http://www.jsupdfeditor.com/>



The type and specification of the components refer to the BOM

				NA	2018-11-01
				ECA NO	DATE
DESIGNED	HUAWEI	MATE20 PORSCHEDESIGN PorscheDesign			
REVIEWED	HUAWEI				
		VER	PART_NUMBER	SHEET 32 R00FPMU60	
		B	03088GSJ	HUAWEI TECH CO.,LTD.	



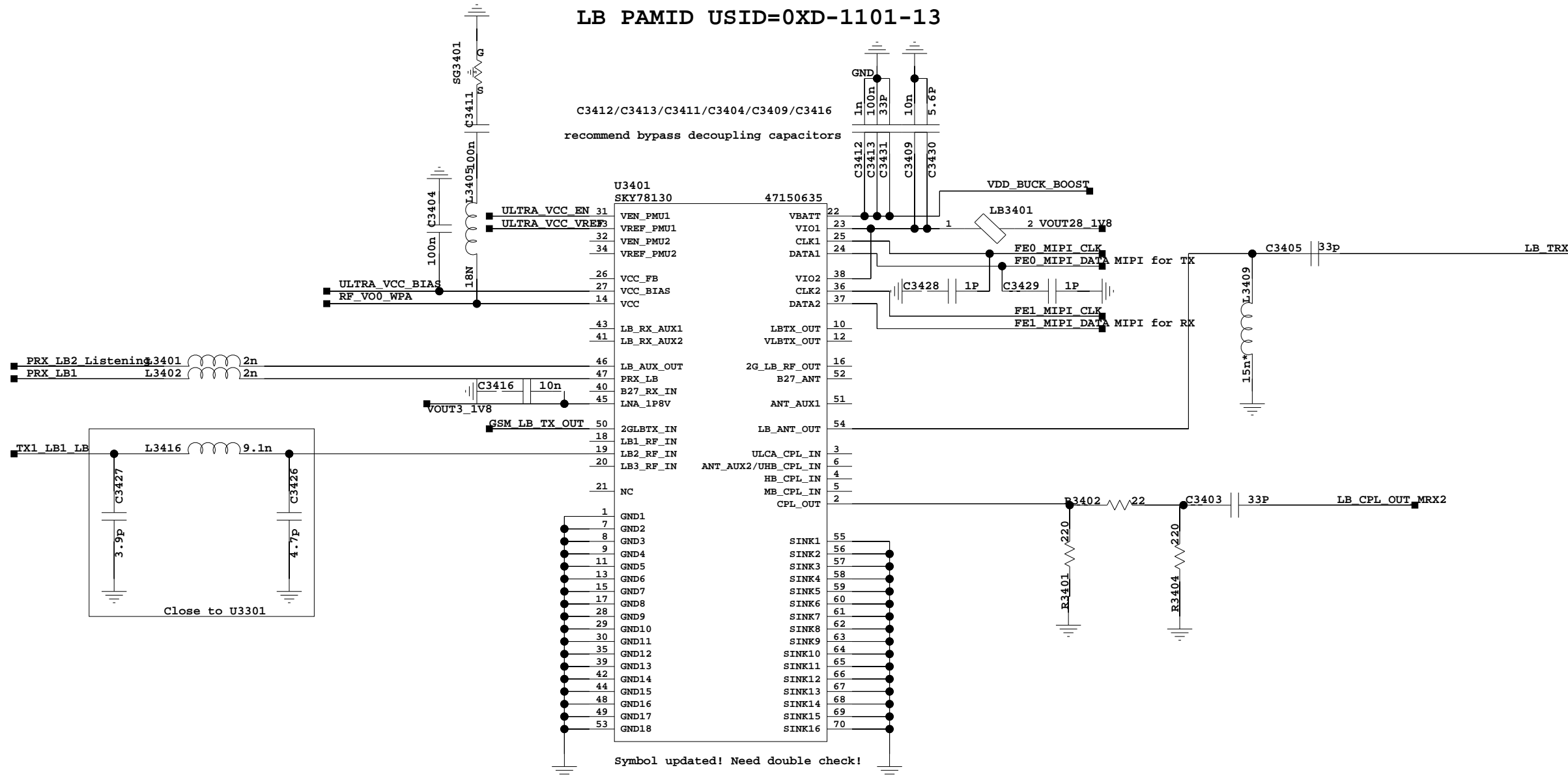


# 34.SKY78130\_ULTRA3.0\_LB



该文档是极速PDF编辑器生成，  
如果想去掉该提示，请访问并下载：  
<http://www.jisupdfeditor.com/>

LB LNA USID=0XA-1010-10  
LB PAMID USID=0XD-1101-13



U3403 Truth Table	
CTRL1	State
0	RFC-RF1(LB1_Forward)
1	RFC-RF2(LB1_Reverse)

The type and specification of the components refer to the BOM

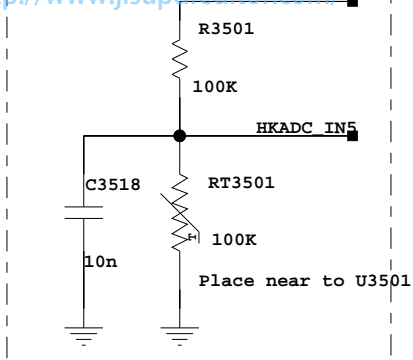
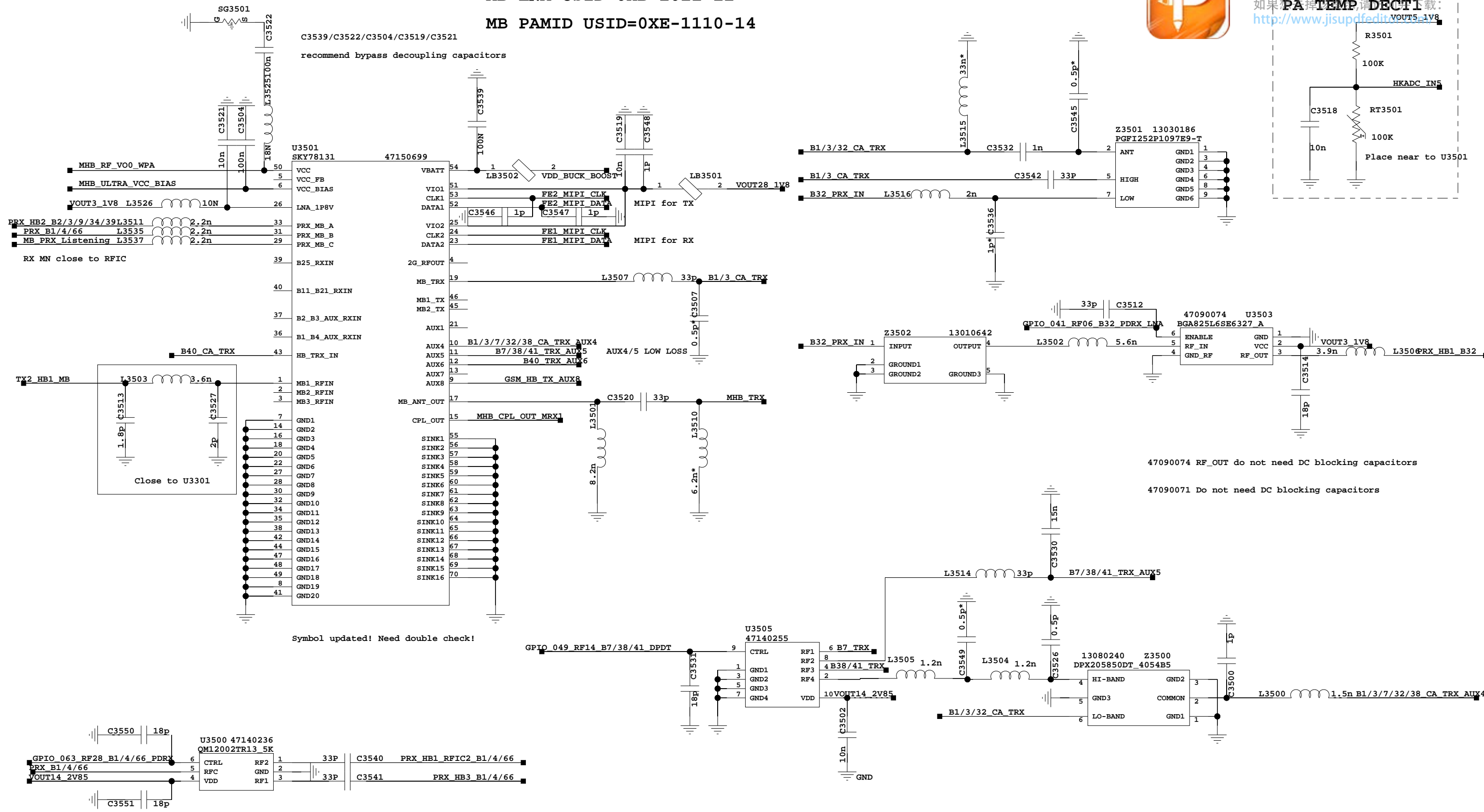
				NA	2018-11-01
				ECA NO	DATE
DESIGNED	HUAWEI	MATE20 PORSCHEDESIGN PorscheDesign			
REVIEWED	HUAWEI				
		VER	PART_NUMBER	SHEET 34 LBF 60	
		B	03088GSJ	HUAWEI TECH CO.,LTD.	

# 35. SKY78131\_ULTRA3.0\_MB

MB LNA USID=0XB-1011-11  
 MB PAMID USID=0XE-1110-14



该文档是极速PDF编辑器生成，  
 如果无法打开，请下载：  
<http://www.jsupdfedit.com/>



47090074 RF\_OUT do not need DC blocking capacitors  
 47090071 Do not need DC blocking capacitors

C3540/C3541 DC blocking capacitors

The type and specification of the components refer to the BOM

CTRL1	State
0	RFC-RF1 (RFIC1)
1	RFC-RF2 (RFIC2)

CTRL1	State
0	RF1-RF2, RF3-RF4
1	RF1-RF4, RF3-RF2

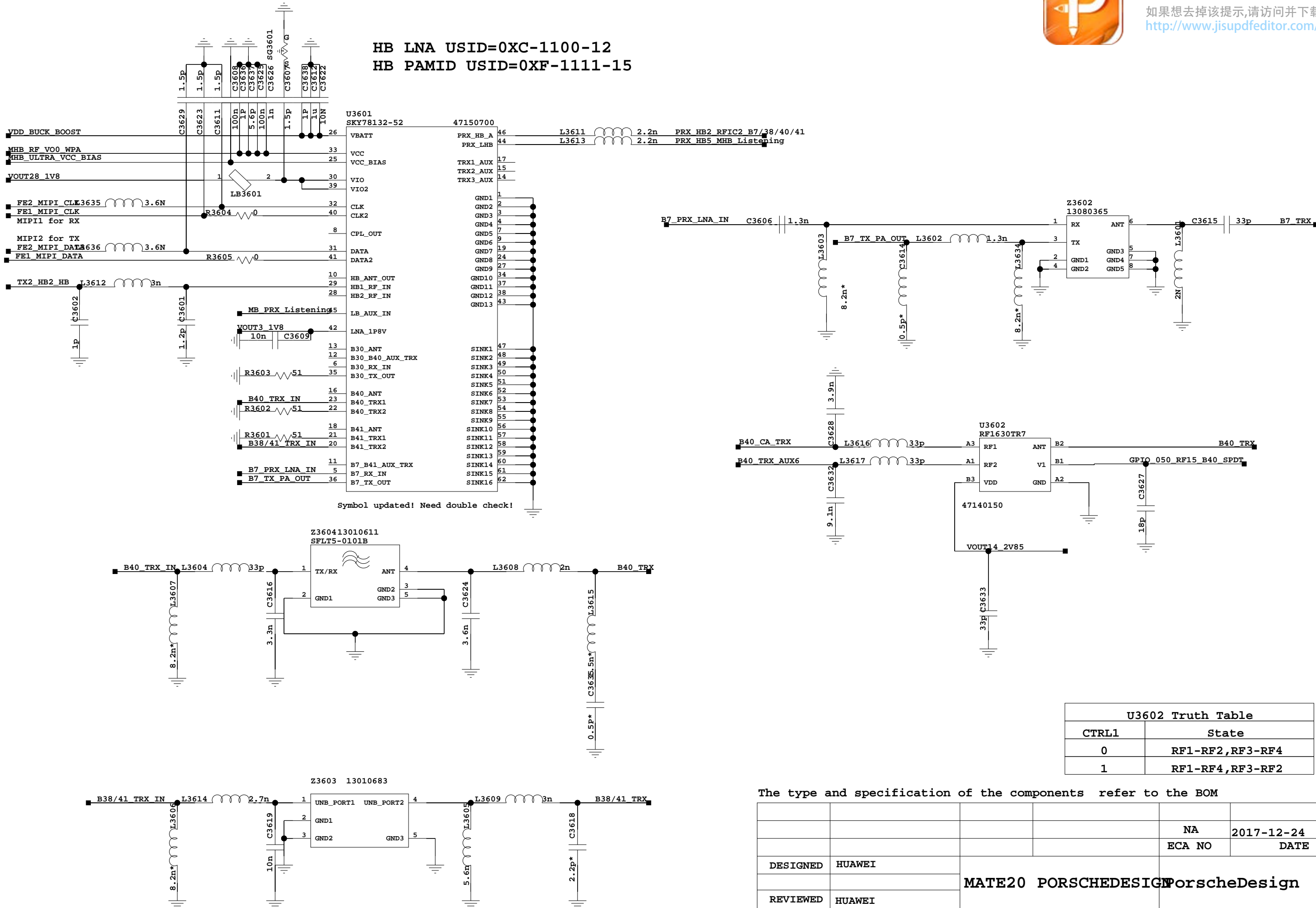
DESIGNED	HUAWEI	MATE20 PORSCHEDESIGN PorscheDesign	
REVIEWED	HUAWEI	VER	PART_NUMBER
		B	03088GSJ
		SHEET	35 MBF 60
		HUAWEI TECH CO.,LTD.	

# 36. SKY78132\_ULTRA3.0\_HB



该文档是极速PDF编辑器生成，  
如果想去掉该提示，请访问并下载：  
<http://www.jisupdfeditor.com/>

HB LNA USID=0XC-1100-12  
HB PAMID USID=0XF-1111-15



Symbol updated! Need double check!

U3602 Truth Table	
CTRL1	State
0	RF1-RF2, RF3-RF4
1	RF1-RF4, RF3-RF2

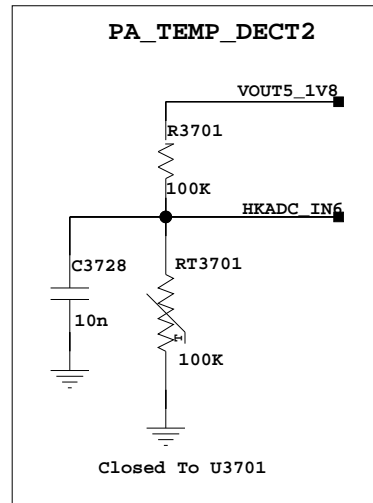
The type and specification of the components refer to the BOM

DESIGNED	HUAWEI	VER	PART_NUMBER	SHEET	36 HBF	60
REVIEWED	HUAWEI	B	03088GSJ	HUAWEI TECH CO.,LTD.		

# 37. GSM

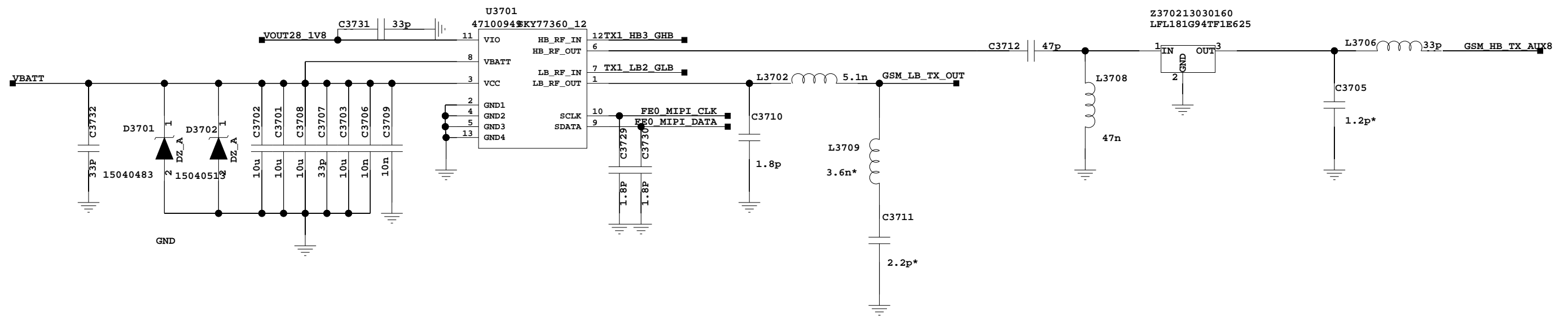


该文档是极速PDF编辑器生成，  
如果想去掉该提示，请访问并下载：  
<http://www.jisupdfeditor.com/>



GPA USID=0XC-1100-12

GPA



The type and specification of the components refer to the BOM

					2018-11-01
				ECA NO	DATE
DESIGNED	HUAWEI	MATE20 PORSCHEDESIGN		PorscheDesign	
REVIEWED	HUAWEI				
		VER	PART_NUMBER	SHEET 37 GSM TX60	
		B	03088GSJ	HUAWEI TECH CO.,LTD.	

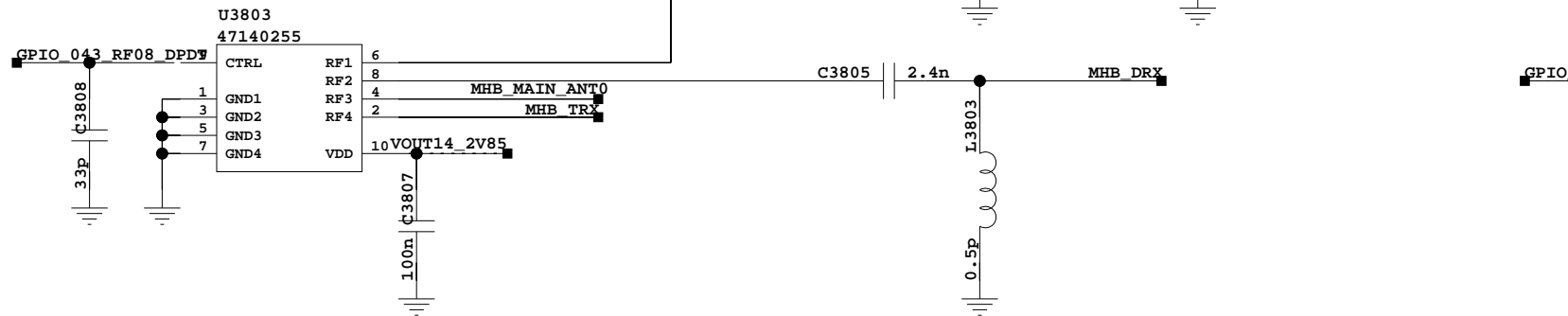
# 38. RF Front End Switch



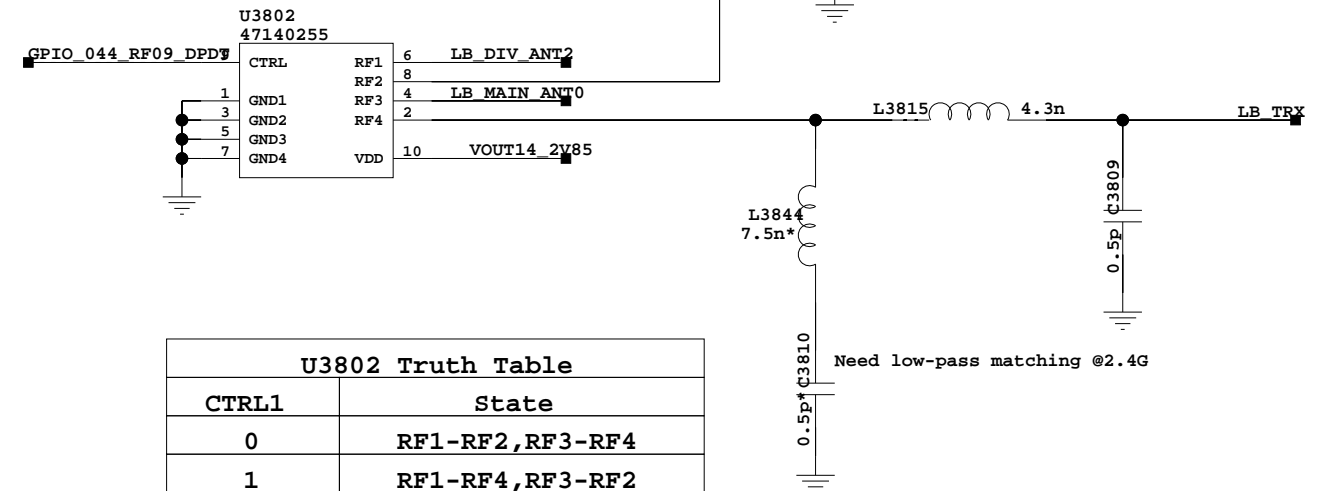
该文档是极速PDF编辑器生成，  
如果想去掉该提示，请访问并下载：  
<http://www.jisupdfeditor.com/>

need keep area 1.83mm\*1.83mm

## MHB DPDT

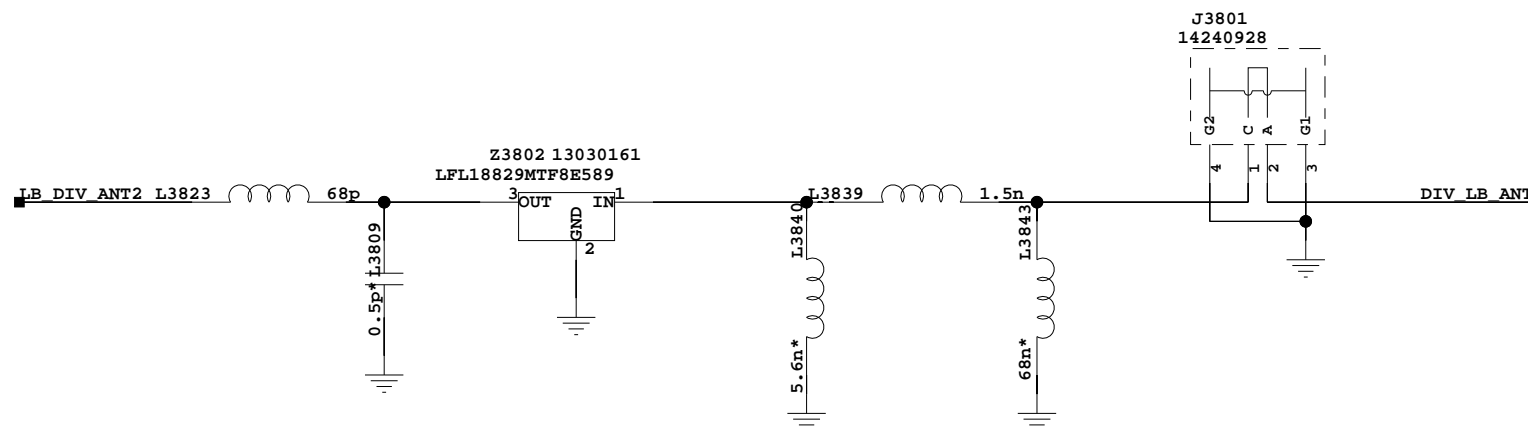
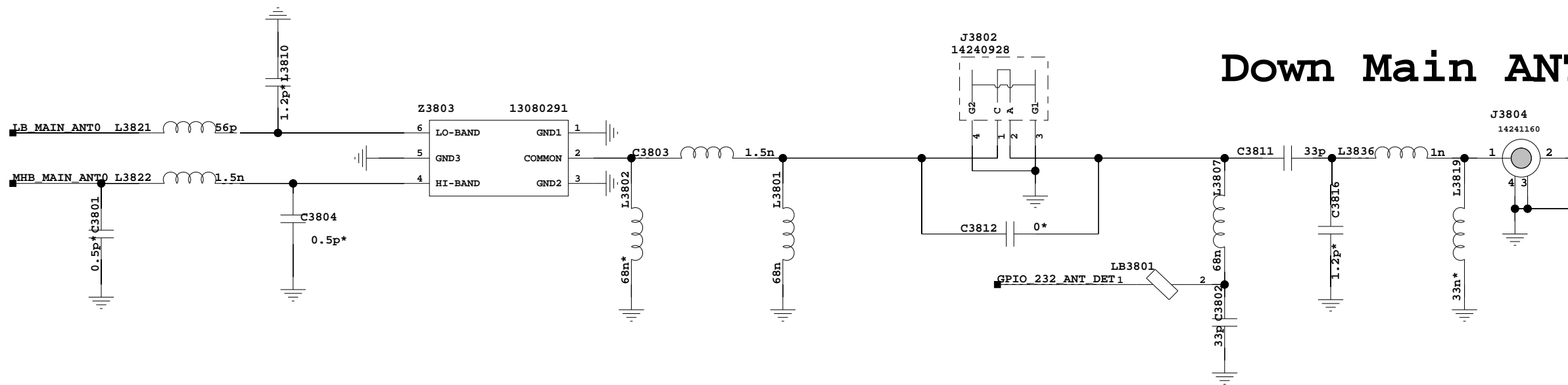


CTRL1	State
0	RF1-RF2, RF3-RF4
1	RF1-RF4, RF3-RF2



CTRL1	State
0	RF1-RF2, RF3-RF4
1	RF1-RF4, RF3-RF2

## Down Main ANT0



The type and specification of the components refer to the BOM

DESIGNED	HUAWEI	MATE20 PORSCHEDESIGN		PorscheDesign
REVIEWED	HUAWEI	VER	PART_NUMBER	SHEET 38 RF SWI
		B	03088GSJ	HUAWEI TECH CO.,LTD.

2018-11-01  
ECA NO DATE

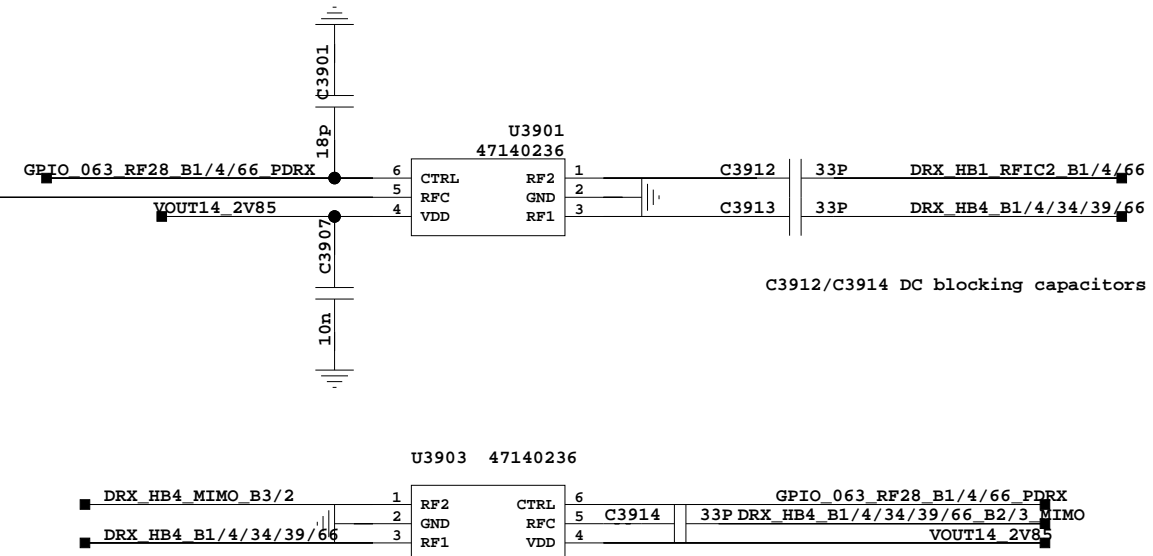
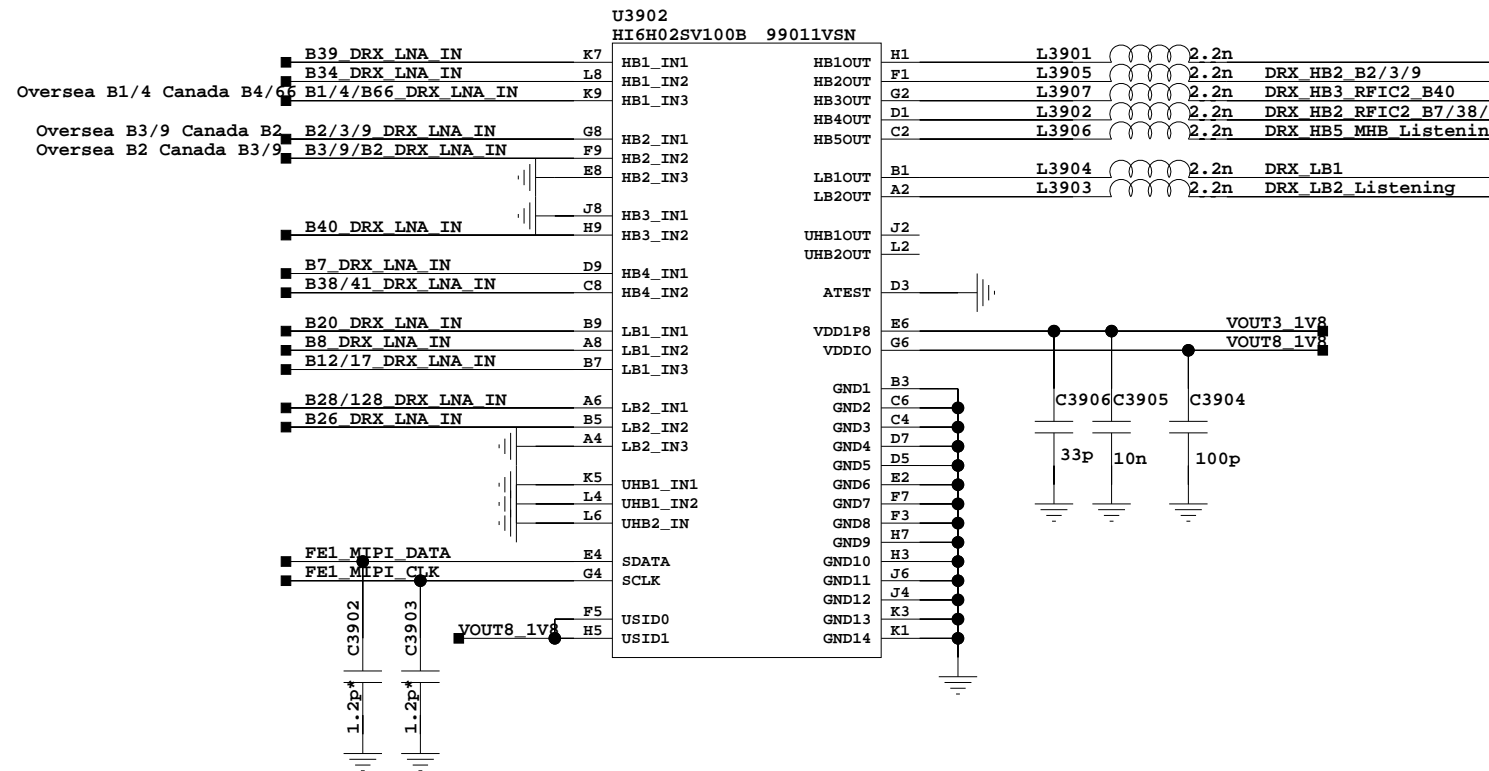
# 39. LNA Module



该文档是极速PDF编辑器生成，  
如果想去掉该提示，请访问并下载：  
<http://www.jsupdfeditor.com/>

DRX LNA USID=0XD-1101-13

LNA\_Module1\_6H01



U3901 Truth Table	
CTRL1	State
0	RFC-RF1(B2_B32_B34)
1	RFC-RF2(B7_B41)

U3903 Truth Table	
CTRL1	State
0	RFC-RF1(B2_B32_B34)
1	RFC-RF2(B32_5CC)

The type and specification of the components refer to the BOM

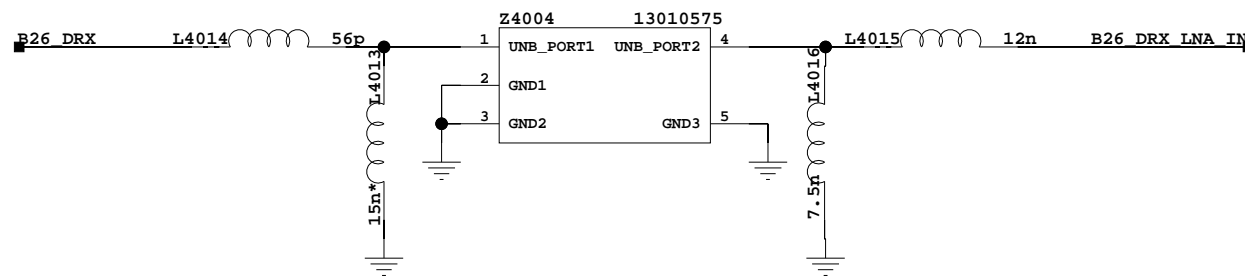
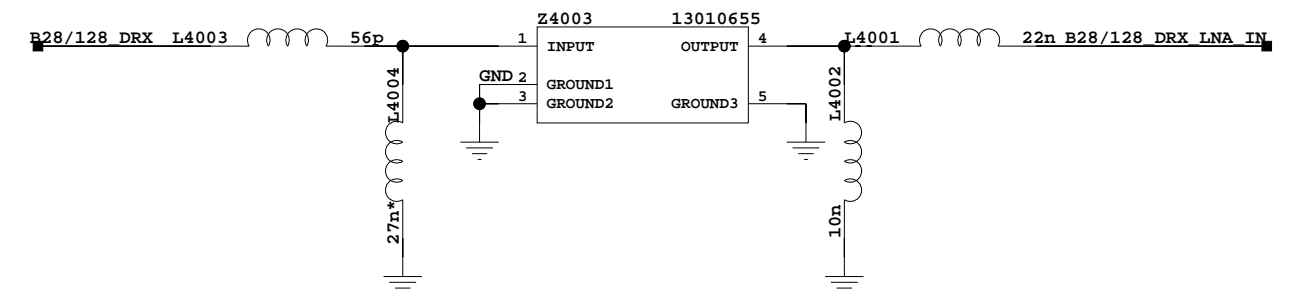
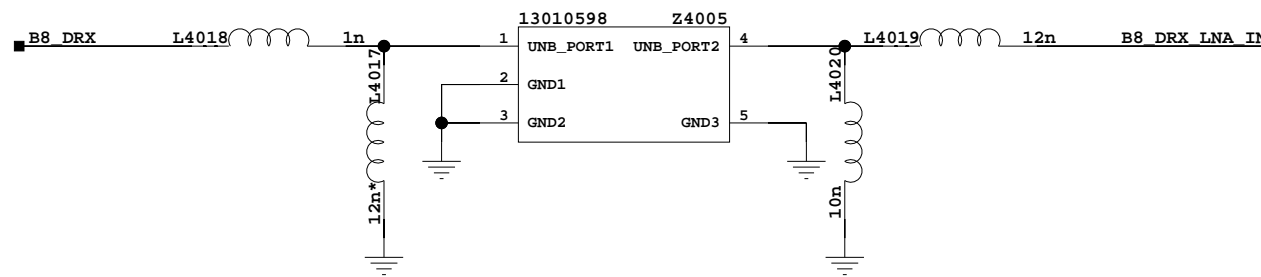
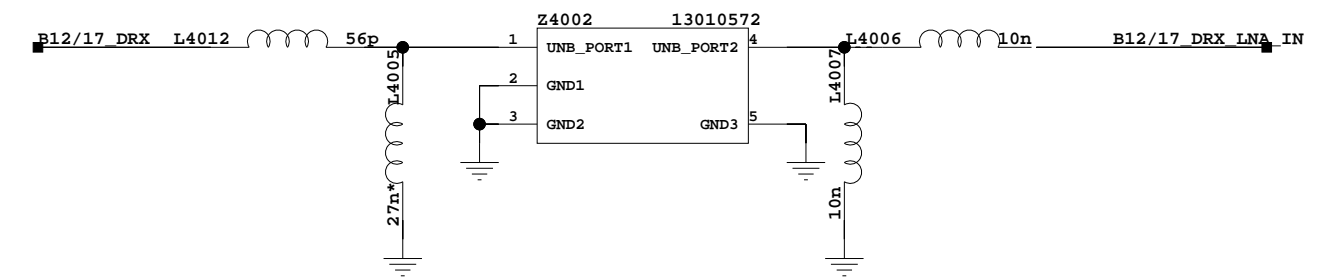
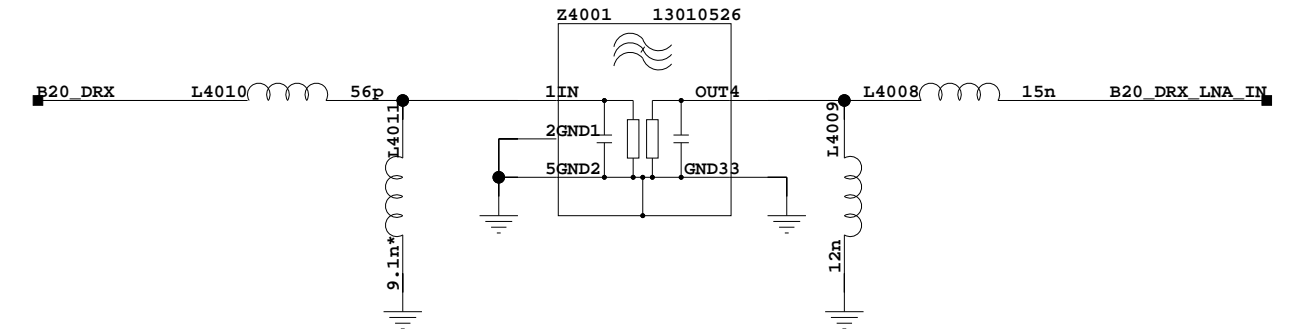
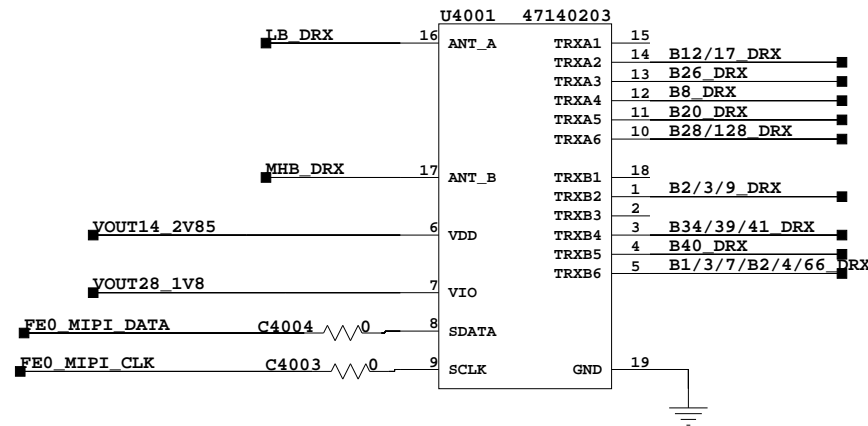
					2018-11-01
				ECA NO	DATE
DESIGNED	HUAWEI	MATE20 PORSCHEDESIGN PorscheDesign			
REVIEWED	HUAWEI				
		VER	PART_NUMBER	SHEET 39 DRX LNA0Module	
		B	03088GSJ	HUAWEI TECH CO.,LTD.	

# 40. DRX LB



该文档是极速PDF编辑器生成，  
如果想去掉该提示，请访问并下载：  
<http://www.jsupdfeditor.com/>

USID=0XA-1010-10



The type and specification of the components refer to the BOM

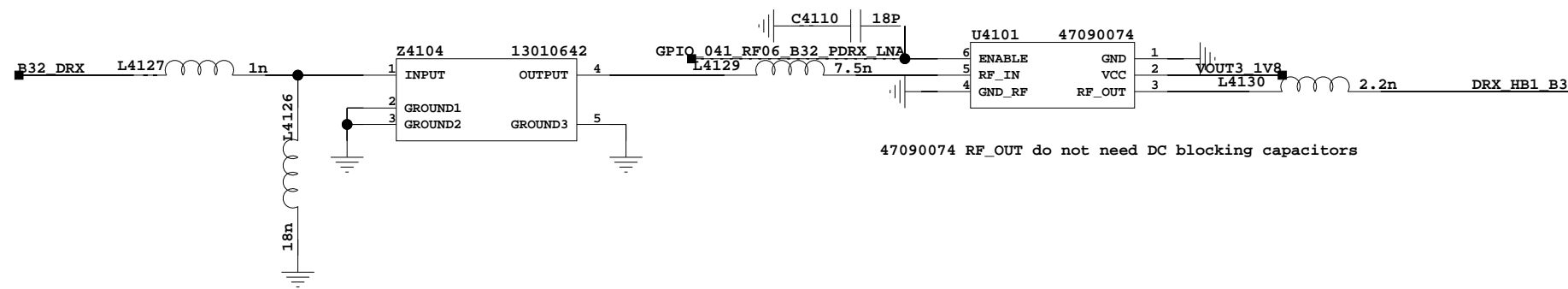
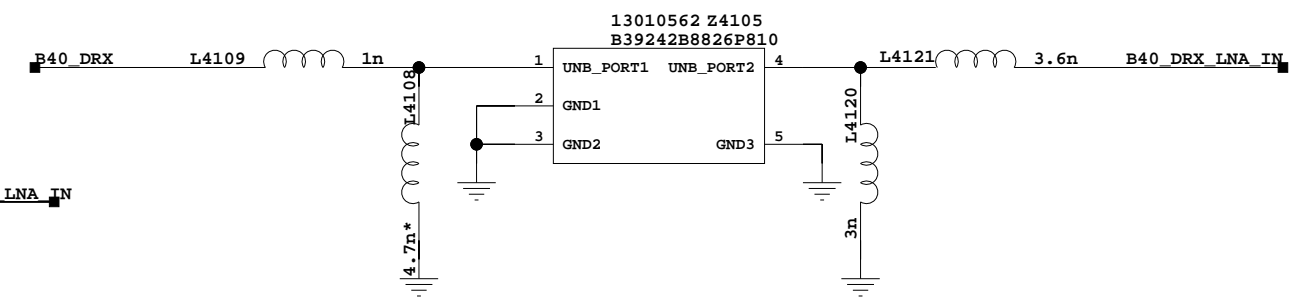
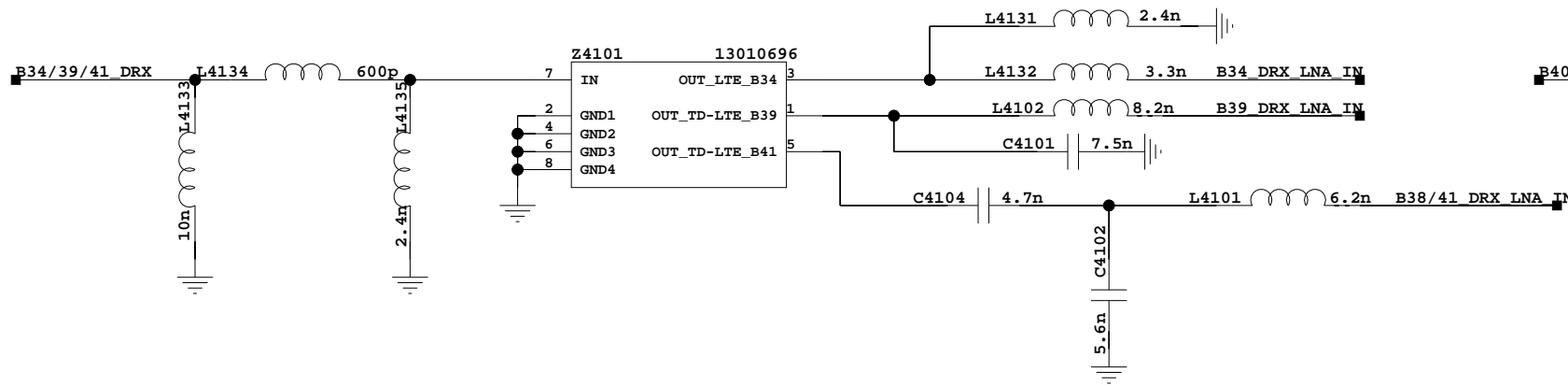
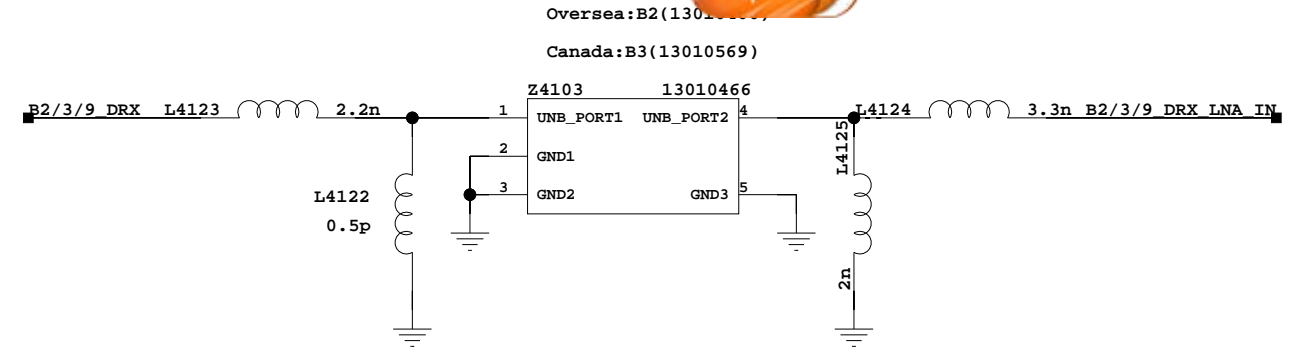
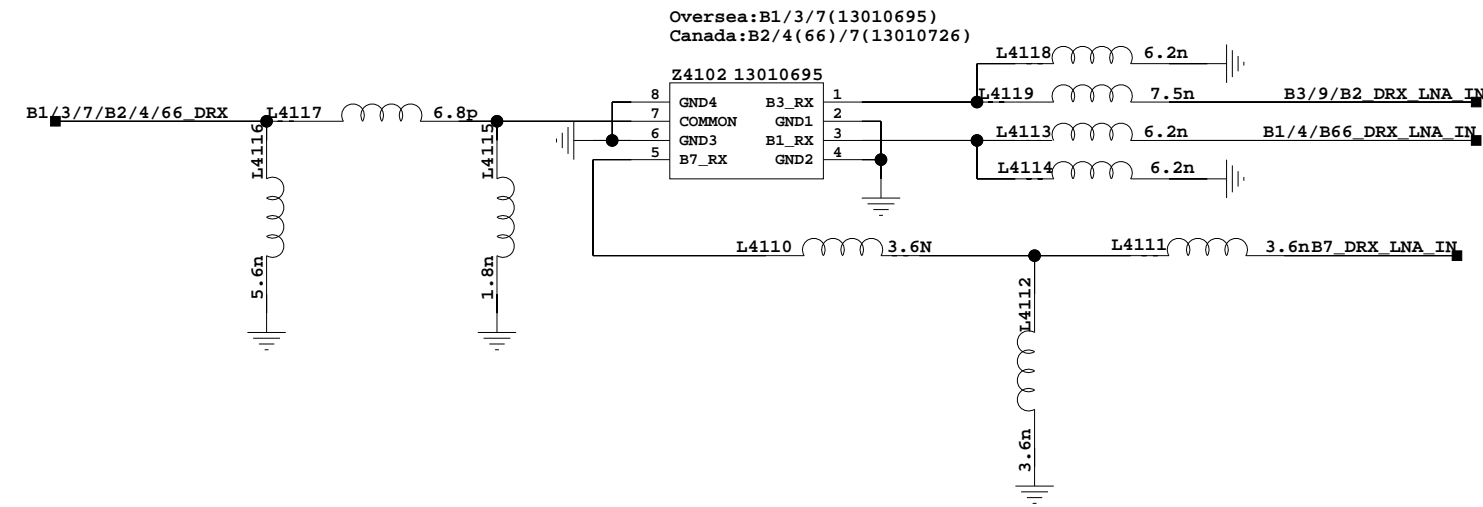
				ECA NO	DATE
DESIGNED	HUAWEI	MATE20 PORSCHEDESIGN PorscheDesign			
REVIEWED	HUAWEI				
		VER	PART_NUMBER	SHEET 40 DRX LB60	
		B	03088GSJ	HUAWEI TECH CO.,LTD.	



# 41. DRX\_MHB



该文档是极速PDF编辑器生成，  
如果想去掉该提示，请访问并下载：  
<http://www.jsupdfeditor.com/>



The type and specification of the components refer to the BOM

					2018-11-01
				ECA NO	DATE
DESIGNED	HUAWEI	MATE20 PORSCHEDESIGN PorscheDesign			
REVIEWED	HUAWEI				
		VER	PART_NUMBER	SHEET 41 DRX_MHB0	
		B	03088GSJ	HUAWEI TECH CO.,LTD.	

# 42. Reaerved



该文档是极速PDF编辑器生成，  
如果想去掉该提示，请访问并下载：  
<http://www.jisupdfeditor.com/>

A

A

B

B

C

C

D

D

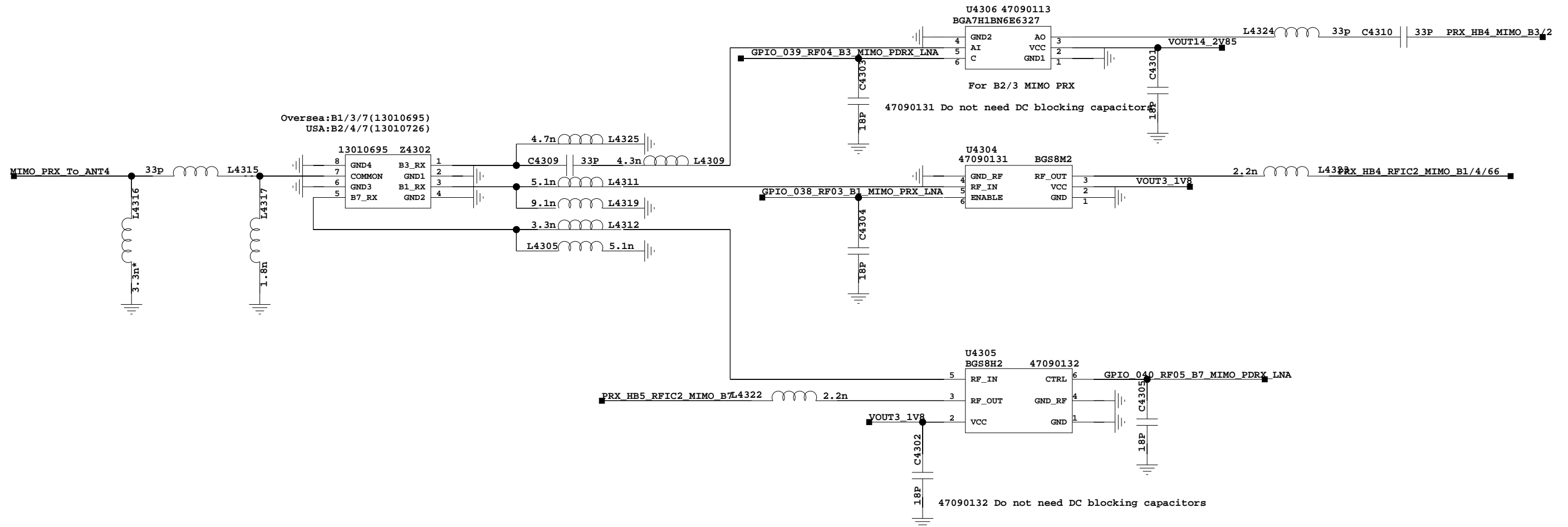
The type and specification of the components refer to the BOM

					2018-11-01
				ECA NO	DATE
DESIGNED	HUAWEI			MATE20 PORSCHEDESIGN PorscheDesign	
REVIEWED	HUAWEI				
		VER	PART_NUMBER	SHEET 42 OF 60	
		B	03088GSJ	HUAWEI TECH CO.,LTD.	

# 43.MIMO\_PRX



该文档是极速PDF编辑器生成，  
如果想去掉该提示，请访问并下载：  
<http://www.jsupdfeditor.com/>



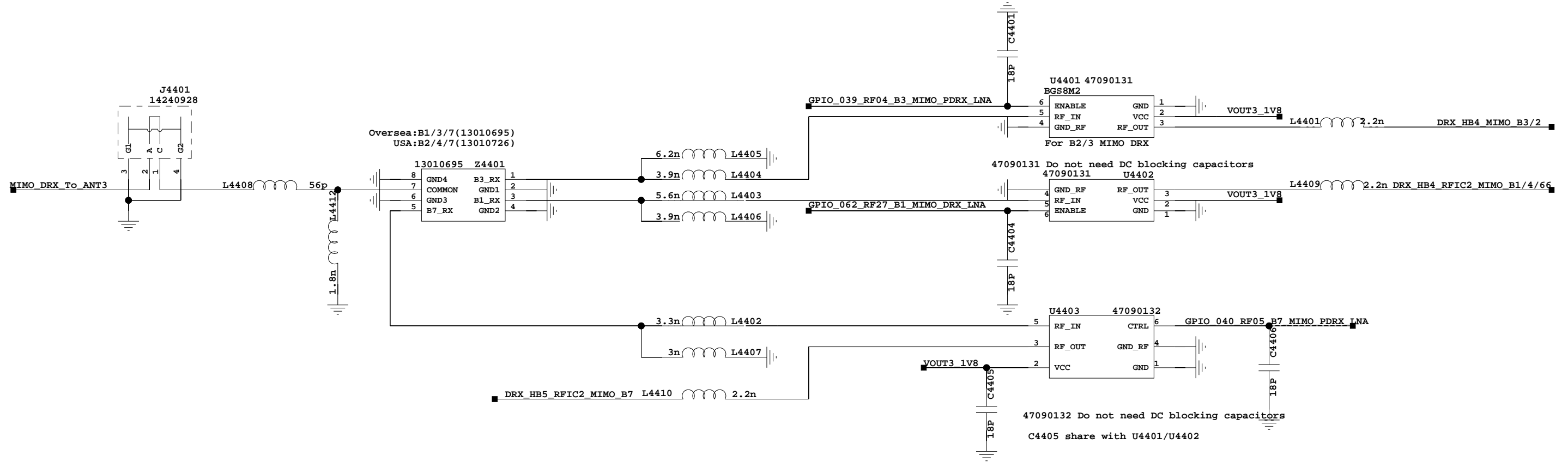
The type and specification of the components refer to the BOM

					2018-11-01
				ECA NO	DATE
DESIGNED	HUAWEI	MATE20 PORSCHEDESIGN PorscheDesign			
REVIEWED	HUAWEI				
		VER	PART_NUMBER	SHEET 43 MIMO PRX	
		B	03088GSJ	HUAWEI TECH CO.,LTD.	

# 44. MIMO\_DRX



该文档是极速PDF编辑器生成，  
如果想去掉该提示，请访问并下载：  
<http://www.jisupdfeditor.com/>



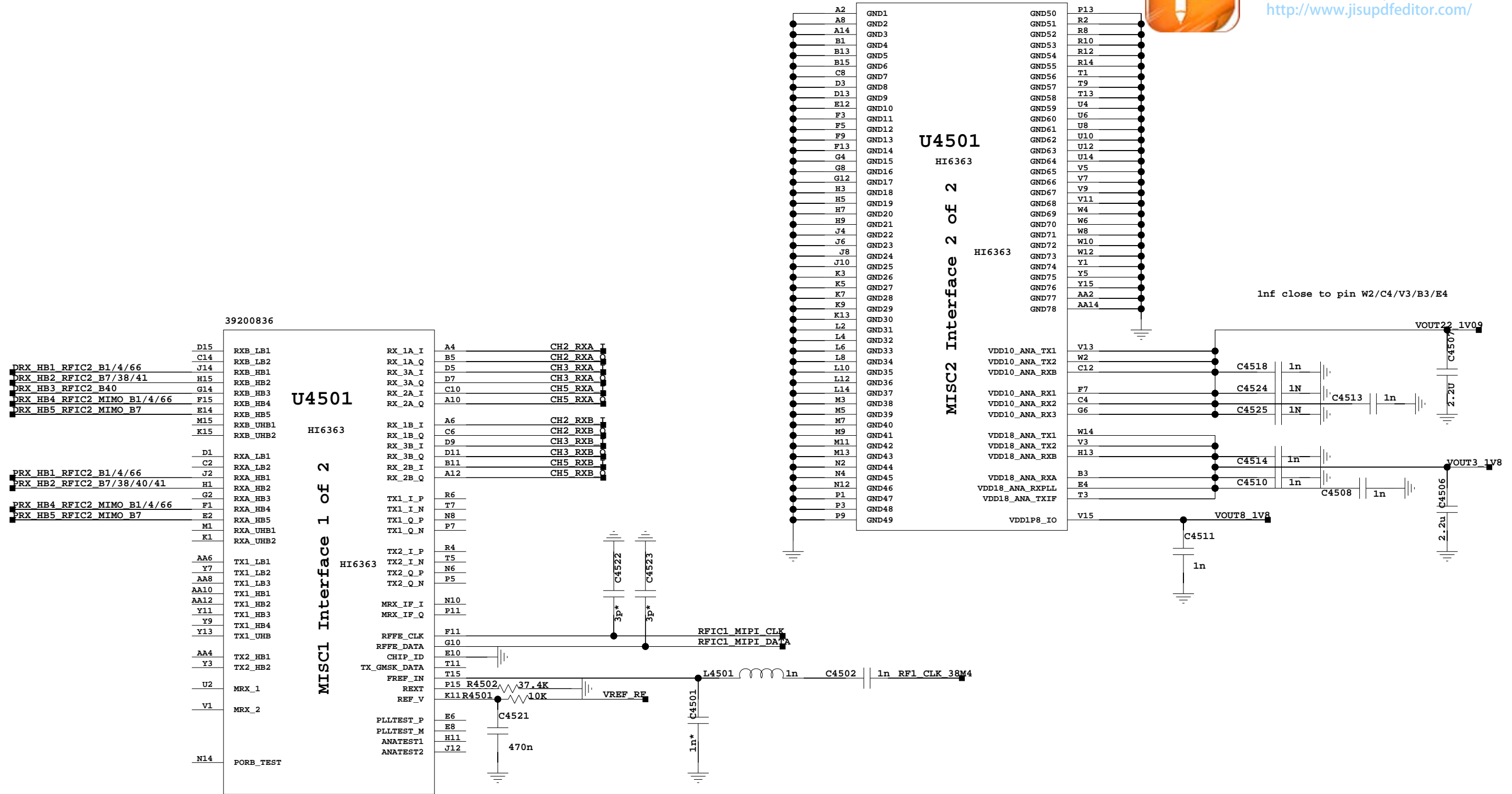
The type and specification of the components refer to the BOM

				NA	2018-11-01
				ECA NO	DATE
DESIGNED	HUAWEI	MATE20 PORSCHEDESIGN PorscheDesign			
REVIEWED	HUAWEI				
		VER	PART_NUMBER	SHEET 44 MIMO DRX	
		B	03088GSJ	HUAWEI TECH CO.,LTD.	

# 45. RF Transceiver\_HI6363\_02



该文档是极速PDF编辑器生成，  
如果想去掉该提示，请访问并下载：  
<http://www.jisupdfeditor.com/>



The type and specification of the components refer to the BOM

					2018-11-01
				ECA NO	DATE
DESIGNED	HUAWEI	MATE20 PORSCHEDESIGN PorscheDesign			
REVIEWED	HUAWEI				
		VER	PART_NUMBER	SHEET 45 R0FC2 60	
		B	03088GSJ	HUAWEI TECH CO.,LTD.	

# 46. Reserved for CDMA Modem



该文档是极速PDF编辑器生成，  
如果想去掉该提示，请访问并下载：  
<http://www.jisupdfeditor.com/>

A

B

C

D

The type and specification of the components refer to the BOM

				NA	2018-11-01
				ECA NO	DATE
DESIGNED	HUAWEI			MATE20 PORSCHEDESIGN PorscheDesign	
REVIEWED	HUAWEI				
		VER	PART_NUMBER	SHEET 46 OF 60	
		B	03088GSJ	HUAWEI TECH CO.,LTD.	

# 47. Reserved for CDMA Modem



该文档是极速PDF编辑器生成，  
如果想去掉该提示，请访问并下载：  
<http://www.jisupdfeditor.com/>

A

B

C

D

The type and specification of the components refer to the BOM

				NA	2018-11-01
				ECA NO	DATE
DESIGNED	HUAWEI			<b>MATE20 PORSCHEDESIGN PorscheDesign</b>	
REVIEWED	HUAWEI				
		VER	PART_NUMBER	SHEET 47 OF 60	
		B	03088GSJ	<b>HUAWEI TECH CO.,LTD.</b>	

# 48. Reserved



该文档是极速PDF编辑器生成，  
如果想去掉该提示，请访问并下载：  
<http://www.jisupdfeditor.com/>

A

A

B

B

C

C

D

D

The type and specification of the components refer to the BOM

					2018-11-01
				ECA NO	DATE
DESIGNED	HUAWEI			MATE20 PORSCHEDESIGN PorscheDesign	
REVIEWED	HUAWEI				
		VER	PART_NUMBER	SHEET 48 OF 60	
		B	03088GSJ	HUAWEI TECH CO.,LTD.	



# 49. Reserved



该文档是极速PDF编辑器生成，  
如果想去掉该提示，请访问并下载：  
<http://www.jisupdfeditor.com/>

A

A

B

B

C

C

D

D

The type and specification of the components refer to the BOM

				TBD For	2018-11-01
				ECA NO	DATE
DESIGNED	HUAWEI			<b>MATE20 PORSCHEDESIGN PorscheDesign</b>	
REVIEWED	HUAWEI				
		VER	PART_NUMBER	SHEET 49 OF 60	
		B	03088GSJ	<b>HUAWEI TECH CO.,LTD.</b>	

# 50. Reserved



该文档是极速PDF编辑器生成，  
如果想去掉该提示，请访问并下载：  
<http://www.jisupdfeditor.com/>

A

A

B

B

C

C

D

D

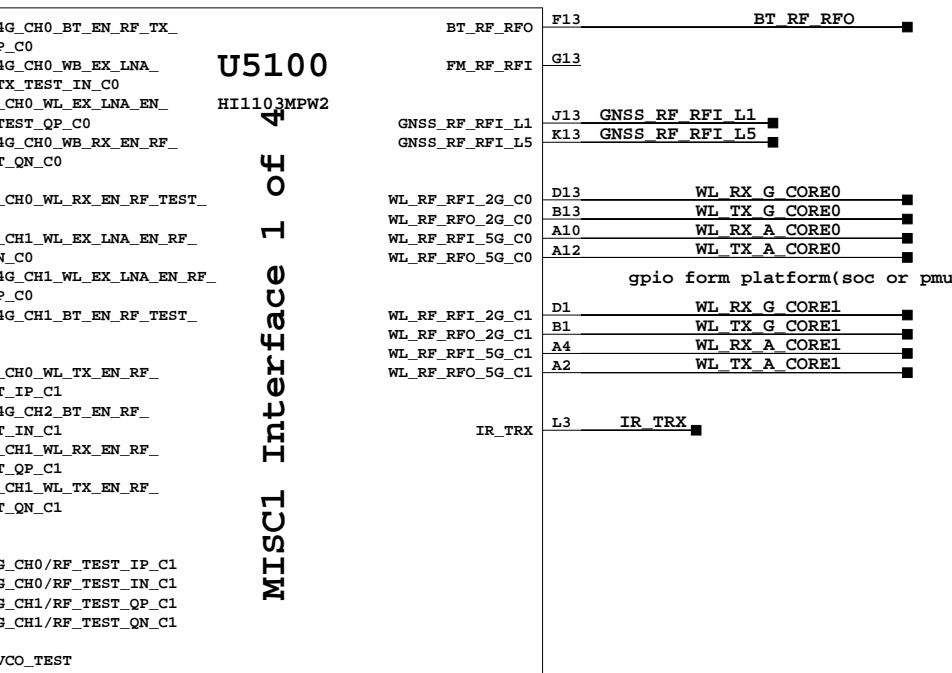
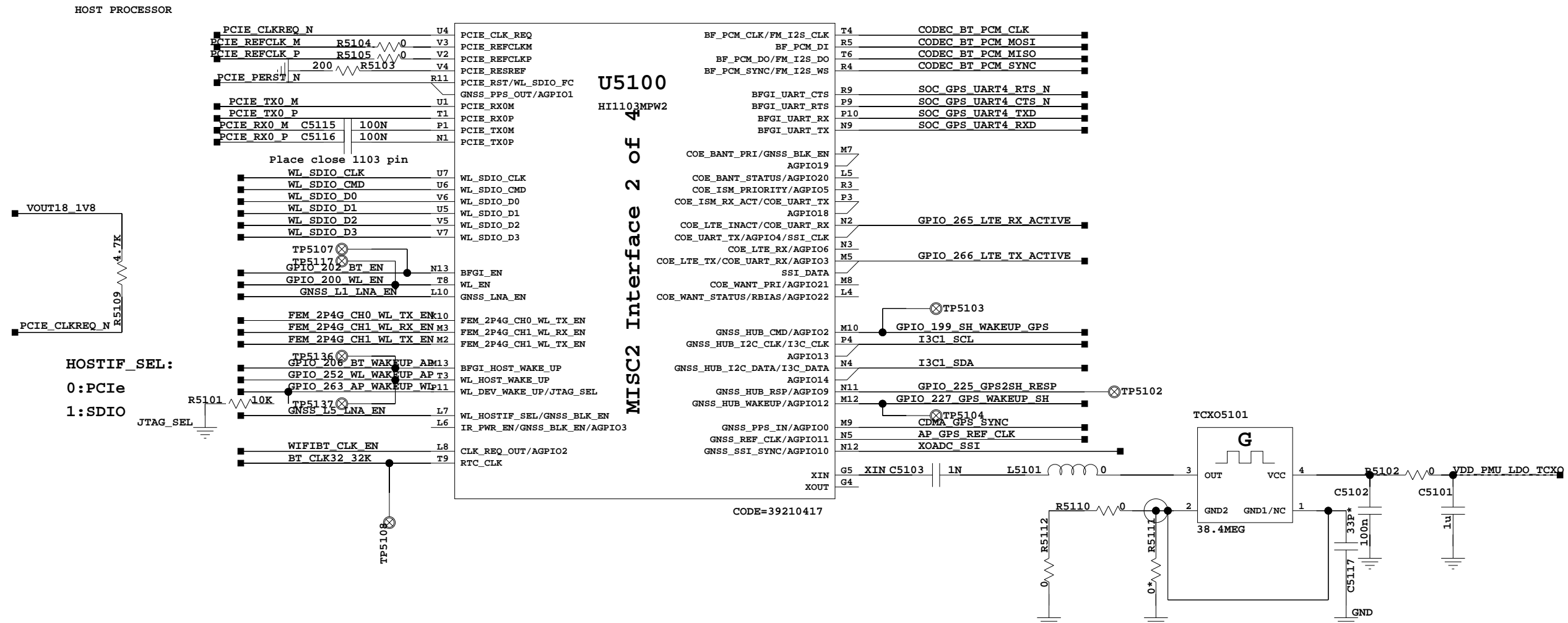
The type and specification of the components refer to the BOM

				TBD For	2018-11-01
				ECA NO	DATE
DESIGNED	HUAWEI			MATE20 PORSCHEDESIGN PorscheDesign	
REVIEWED	HUAWEI				
		VER	PART_NUMBER	SHEET 50 OF 60	
		B	03088GSJ	HUAWEI TECH CO.,LTD.	

# 51.Hi1103 BB



该文档是极速PDF编辑器生成，  
如果想去掉该提示，请访问并下载：  
<http://www.jisupdfeditor.com/>



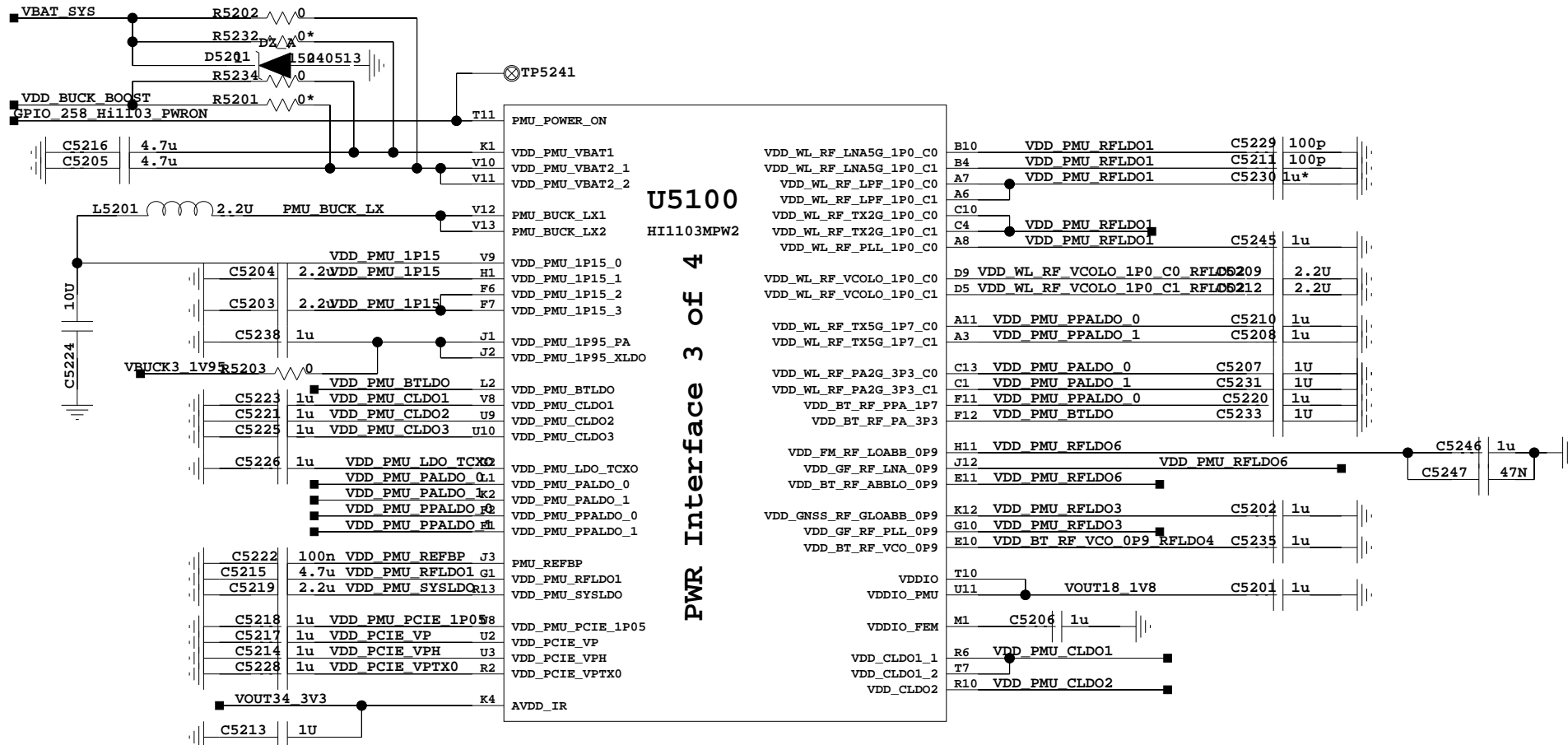
The type and specification of the components refer to the BOM

DESIGNED	HUAWEI	VER	PART_NUMBER	SHEET	51 HDF1036BB
REVIEWED	HUAWEI	B	03088GSJ	HUAWEI TECH CO.,LTD.	
				NA	2018-11-01
				ECA NO	DATE
		MATE20 PORSCHEDESIGN PorscheDesign			

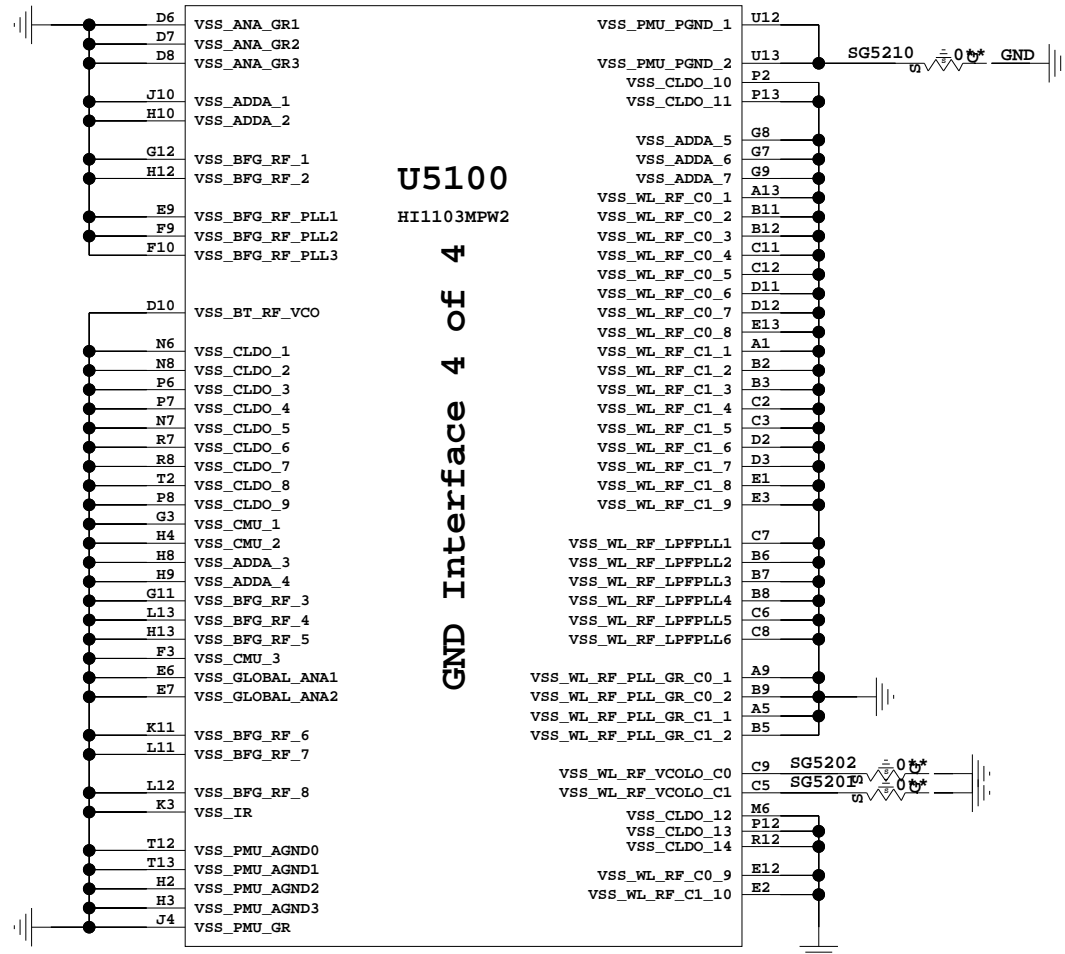
# 52.Hi1103 PWR



该文档是极速PDF编辑器生成，  
如果想去掉该提示，请访问并下载：  
<http://www.jisupdfeditor.com/>



CODE=39210417



CODE=39210417

二返行釀	鄰	々釀
VDD_PMU_1P15	1A	1V1-1V5(1V15)
VDD_PMU_1P95	600mA	1V95
VDD_PMU_BTLDO	200mA	2V-3V5 (3V3)
VDD_PMU_CLDO1	400mA	0V6-1V0(0V9)
VDD_PMU_CLDO2	150mA	0V6-1V0(0V9)
VDD_PMU_CLDO3	50mA	0V6-1V0(0V9)
VDD_PMU_LDO_TCXO	100mA	1V8/2V8
VDD_PMU_PALDO	400mA	2V-3V5 (3V3)
VDD_PMU_PPALDO	250mA	1V7
VDD_PMU_SYSLDO	30mA	0V6-1V0(0V9)
VDD_PMU_RFLDO1	250mA	0V85-1V(1V0)
VDD_PMU_RFLDO2	100mA	1V0
VDD_PMU_RFLDO3	100mA	0V9
VDD_PMU_RFLDO4	50mA	0V9
VDD_PMU_RFLDO6	150mA	0V9

The type and specification of the components refer to the BOM

DESIGNED	HUAWEI	VER	PART_NUMBER	SHEET	52 HI1103 PWR
REVIEWED	HUAWEI	B	03088GSJ	HUAWEI TECH CO.,LTD.	
				NA	2018-11-01
				ECA NO	DATE
<b>MATE20 PORSCHEDESIGN PorscheDesign</b>					

53.Reserved



该文档是极速PDF编辑器生成，  
如果想去掉该提示，请访问并下载：  
<http://www.jisupdfeditor.com/>

A

A

B

B

C

C

D

D

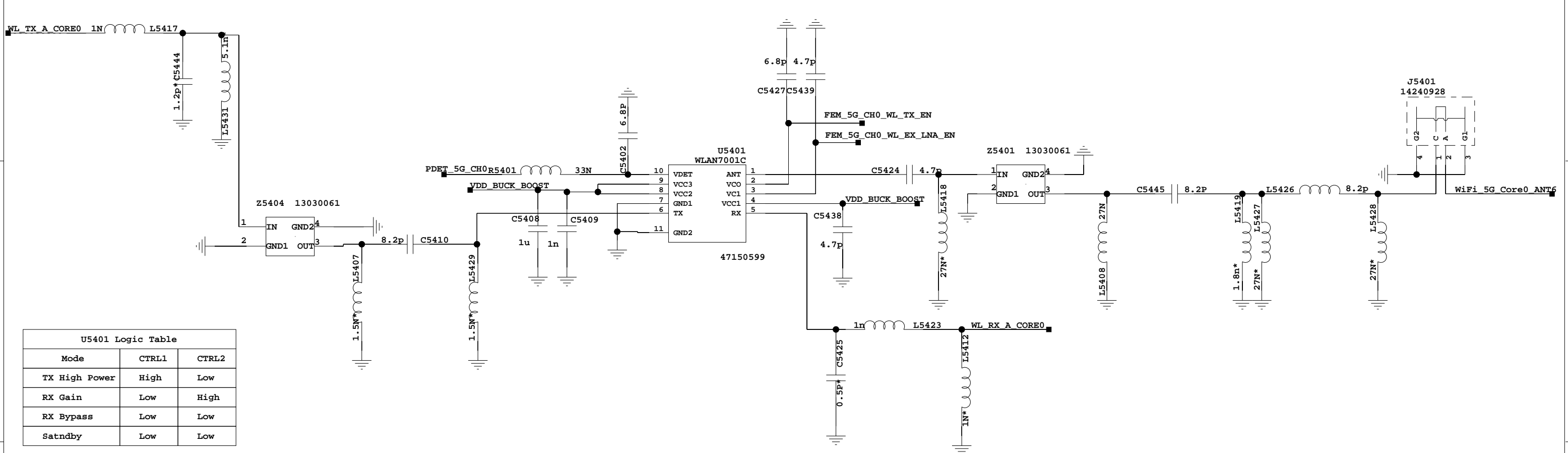
The type and specification of the components refer to the BOM

				NA	2018-11-01
				ECA NO	DATE
DESIGNED	HUAWEI	MATE20 PORSCHEDESIGN		PorscheDesign	
REVIEWED	HUAWEI				
		VER	PART_NUMBER	SHEET 53 OF 60	
		B	03088GSJ	HUAWEI TECH CO.,LTD.	

# 54.WLAN RF0&LTE MIMO3



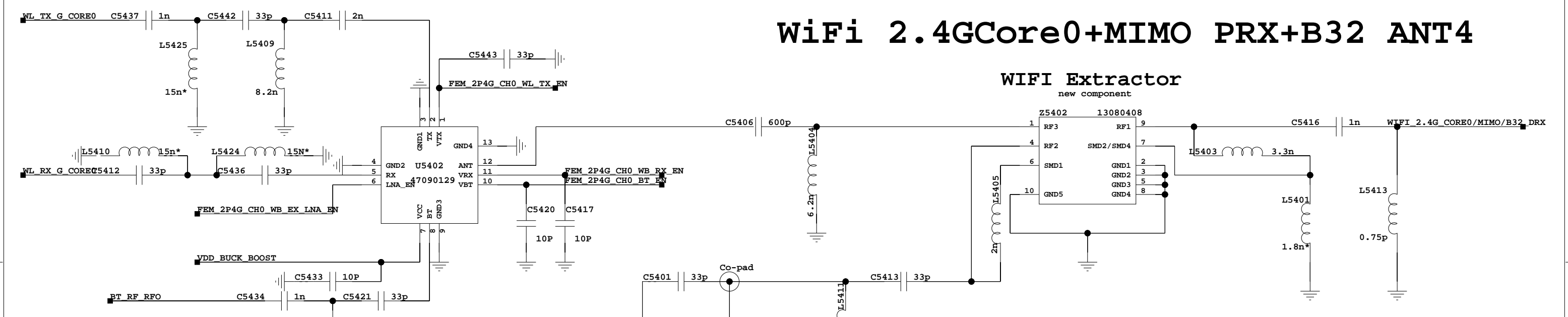
该文档是极速PDF编辑器生成，  
如果想去掉该提示，请访问并下载：  
<http://www.jisupdfeditor.com/>



U5401 Logic Table

Mode	CTRL1	CTRL2
TX High Power	High	Low
RX Gain	Low	High
RX Bypass	Low	Low
Satndby	Low	Low

# WiFi 2.4GCore0+MIMO PRX+B32 ANT4



U5402 Logic Table

Mode	VBT	VRX	VTX	LNA_EN
Concurrent	High	High	Low	High
RX Gain	Low	High	Low	High
RX Bypass	Low	High	Low	Low
TX	Low	Low	High	Low
BT	High	Low	Low	Low
Satndby	Low	Low	Low	Low

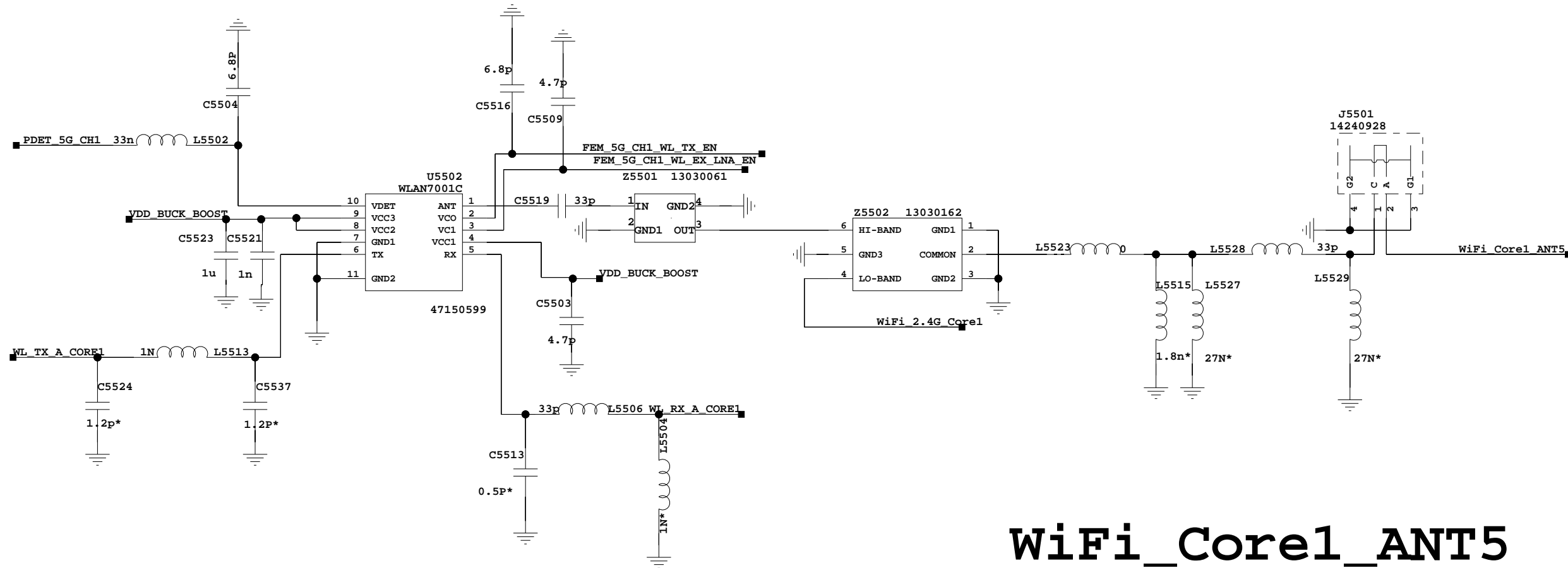
The type and specification of the components refer to the BOM

DESIGNED	HUAWEI	VER	PART_NUMBER	SHEET	54 WLAN CORE0
REVIEWED	HUAWEI	B	03088GSJ	HUAWEI TECH CO.,LTD.	
				NA	2018-11-01
				ECA NO	DATE
				MATE20 PORSCHEDESIGN PorscheDesign	

# 55.WLAN RF1



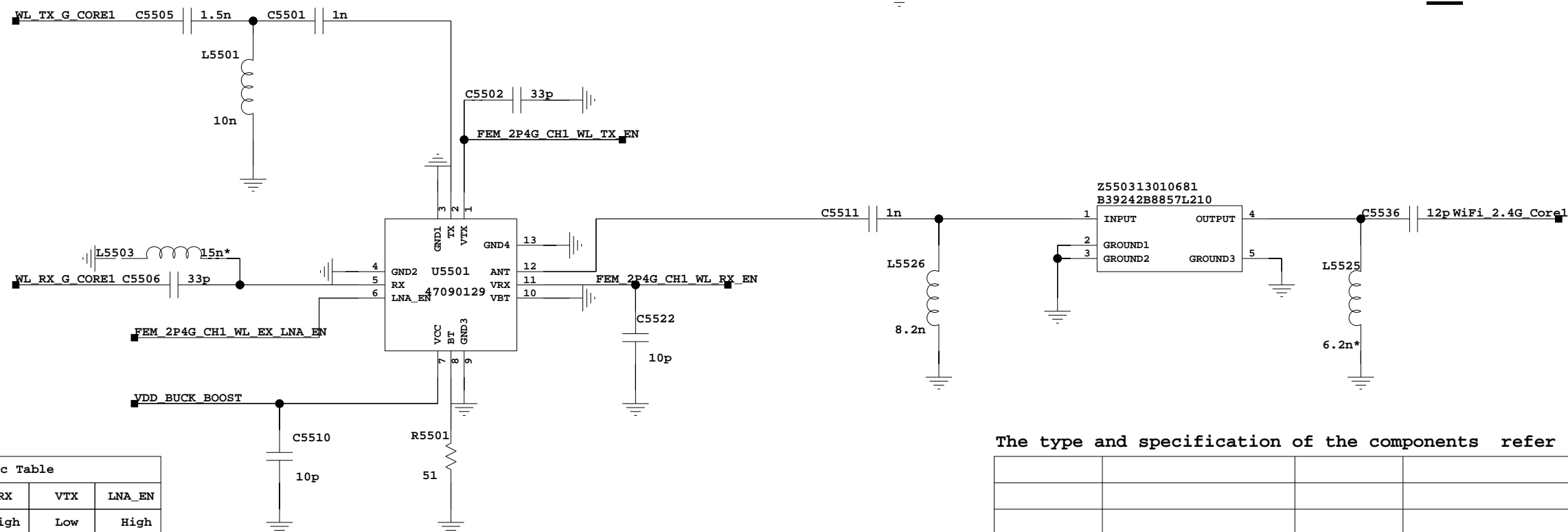
该文档是极速PDF编辑器生成，  
如果想去掉该提示，请访问并下载：  
<http://www.jisupdfeditor.com/>



U5502 Logic Table

Mode	CTRL1	CTRL2
TX High Power	High	Low
RX Gain	Low	High
RX Bypass	Low	Low
Satndby	Low	Low

## WiFi\_Core1\_ANT5



U5501 Logic Table

Mode	VBT	VRX	VTX	LNA_EN
Concurrent	High	High	Low	High
RX Gain	Low	High	Low	High
RX Bypass	Low	High	Low	Low
TX	Low	Low	High	Low
BT	High	Low	Low	Low
Satndby	Low	Low	Low	Low

The type and specification of the components refer to the BOM

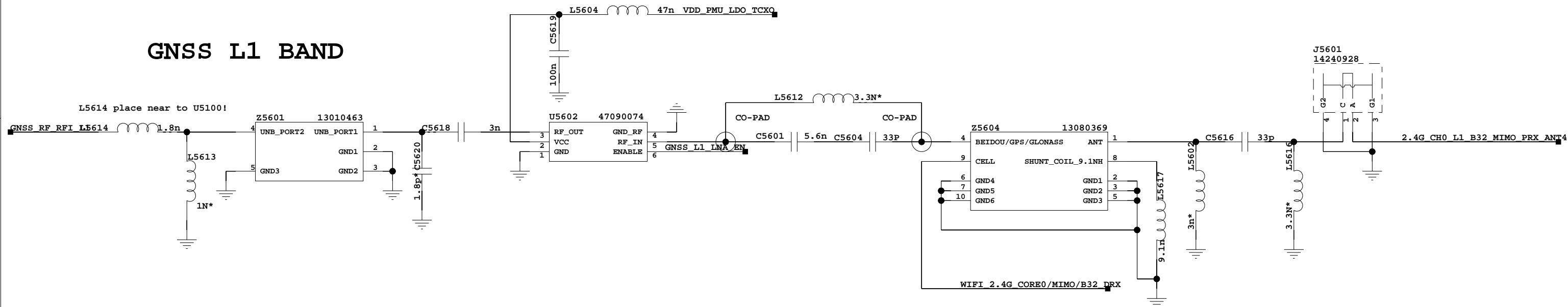
				NA	2018-11-01
				ECA NO	DATE
DESIGNED	HUAWEI	MATE20 PORSCHEDESIGN PorscheDesign			
REVIEWED	HUAWEI				
		VER	PART_NUMBER	SHEET 55 WLAN CORE1	
		B	03088GSJ	HUAWEI TECH CO.,LTD.	

# 56.GNSS RF FE

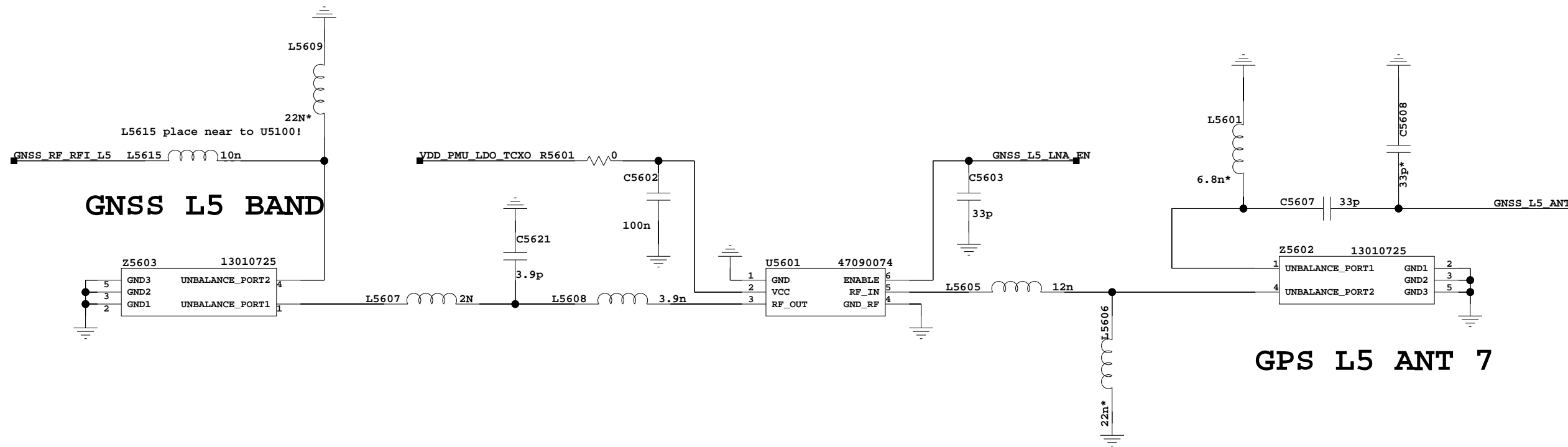


该文档是极速PDF编辑器生成，  
如果想去掉该提示，请访问并下载：  
<http://www.jisupdfeditor.com/>

## GNSS L1 BAND



## GNSS L5 BAND



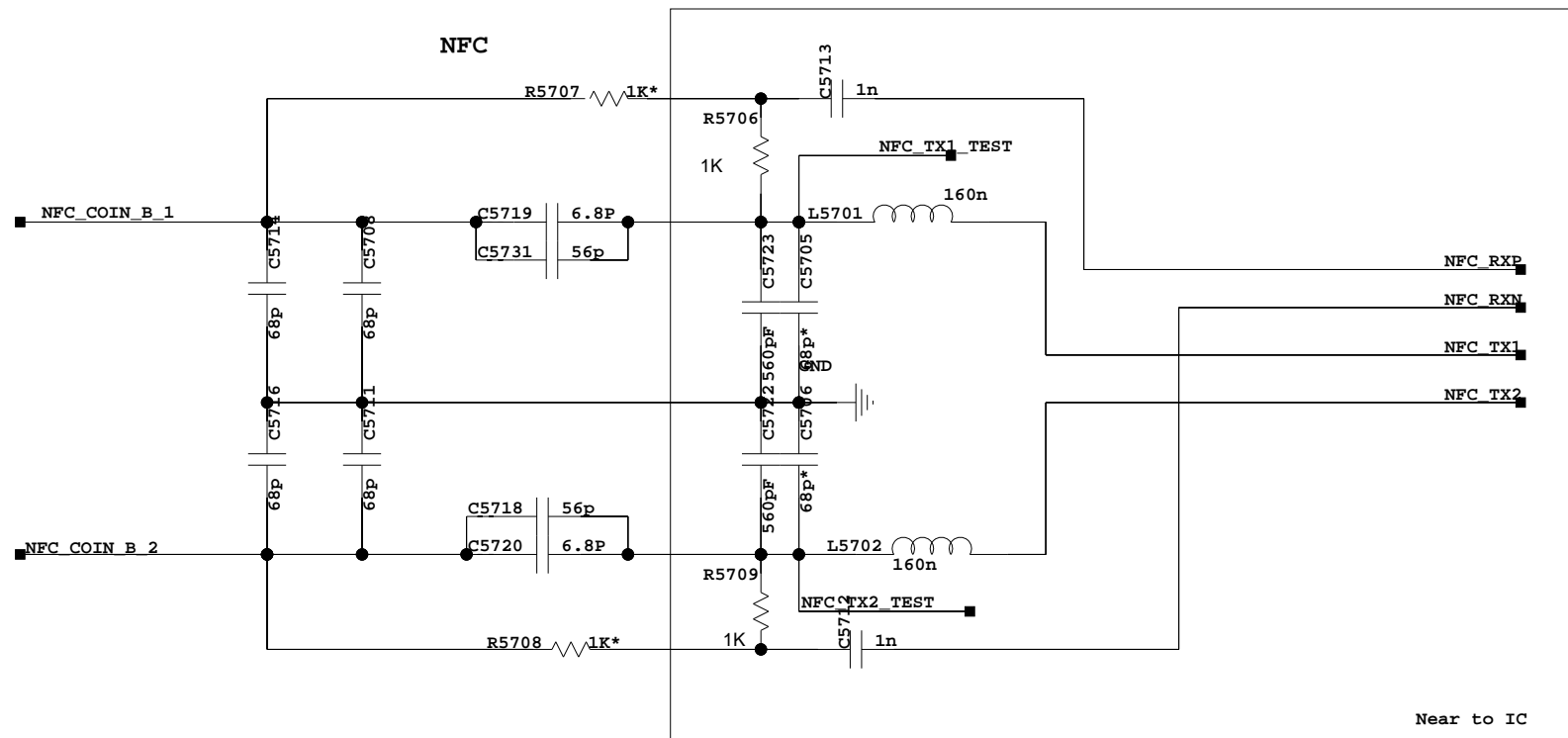
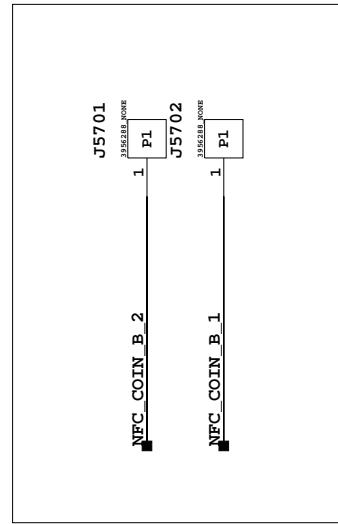
## GPS L5 ANT 7

The type and specification of the components refer to the BOM

				NA	2018-11-01
				ECA NO	DATE
DESIGNED	HUAWEI	MATE20 PORSCHEDESIGN PorscheDesign			
REVIEWED	HUAWEI				
		VER	PART_NUMBER	SHEET	56 GNSS 60
		B	03088GSJ	HUAWEI TECH CO.,LTD.	



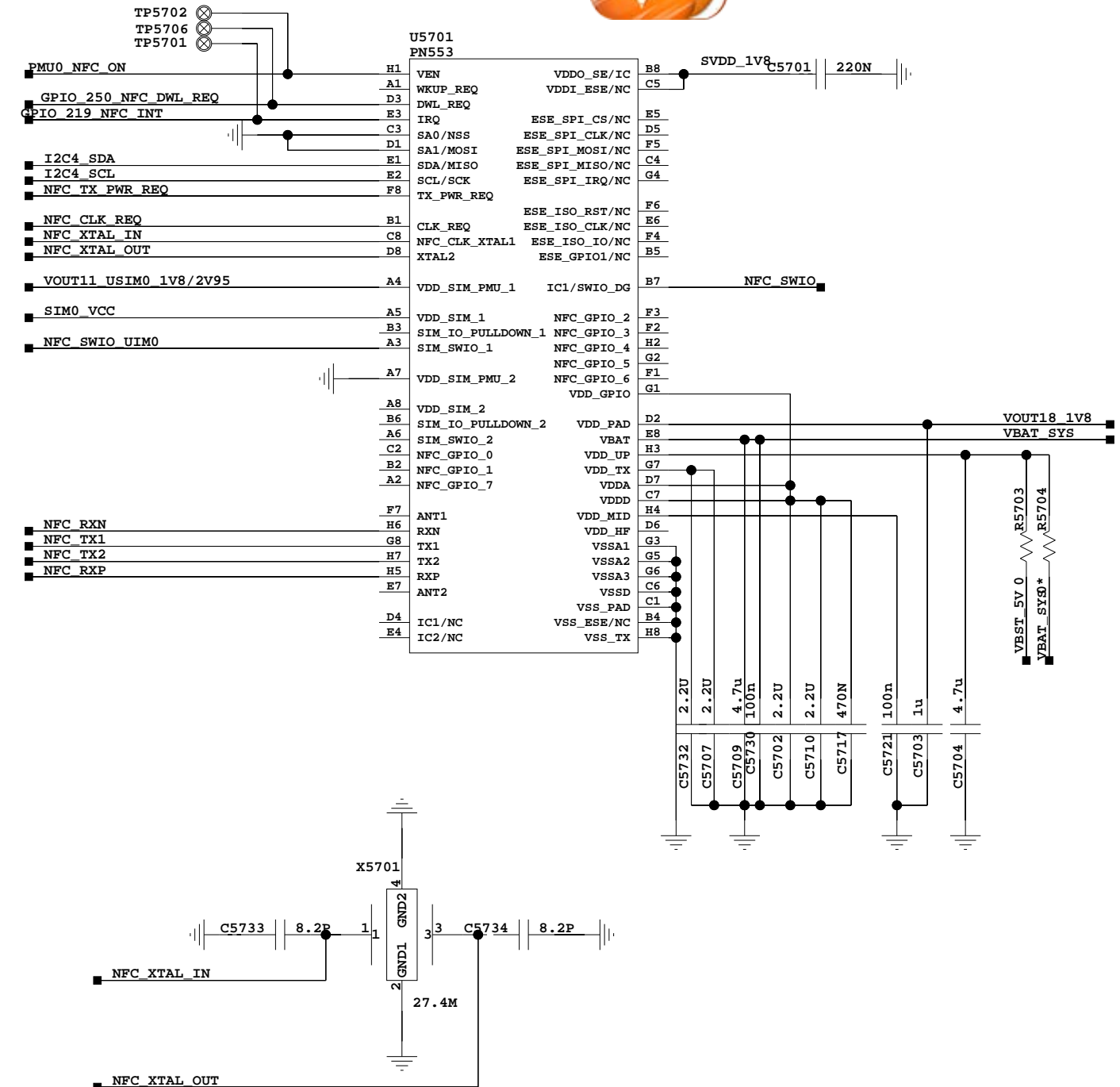
# 57.NFC



I2C address



该文档是极速PDF编辑器生成，  
如果想去掉该提示，请访问并下载：  
<http://www.jisupdfeditor.com/>



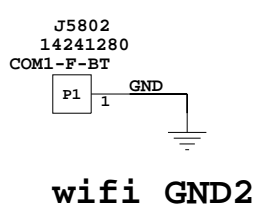
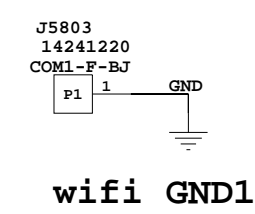
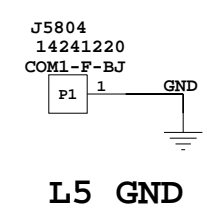
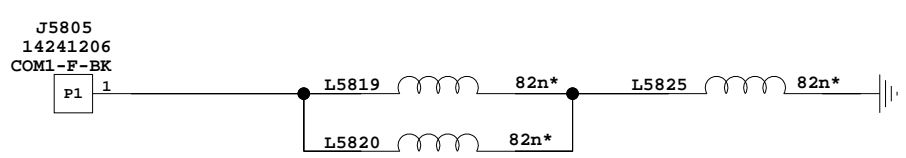
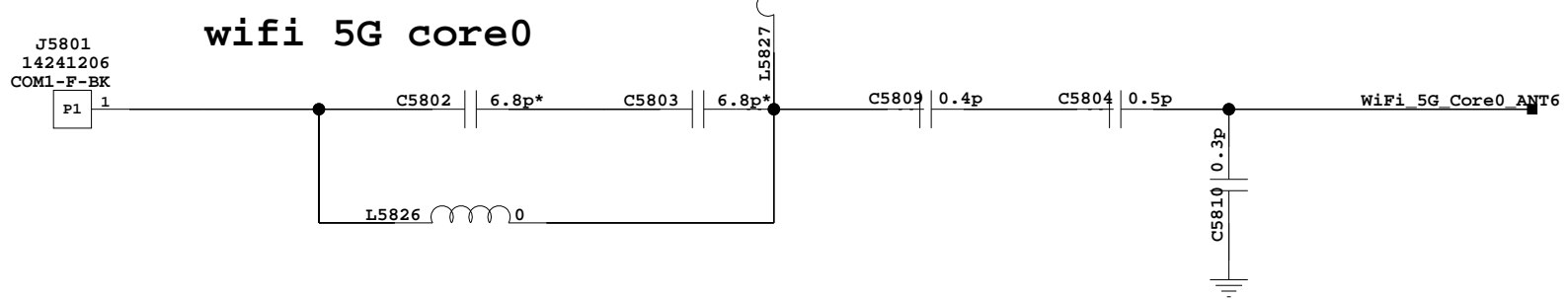
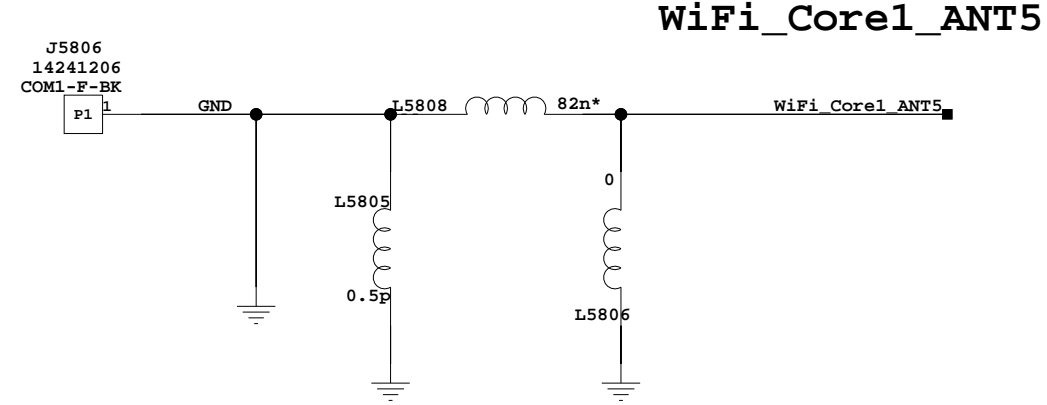
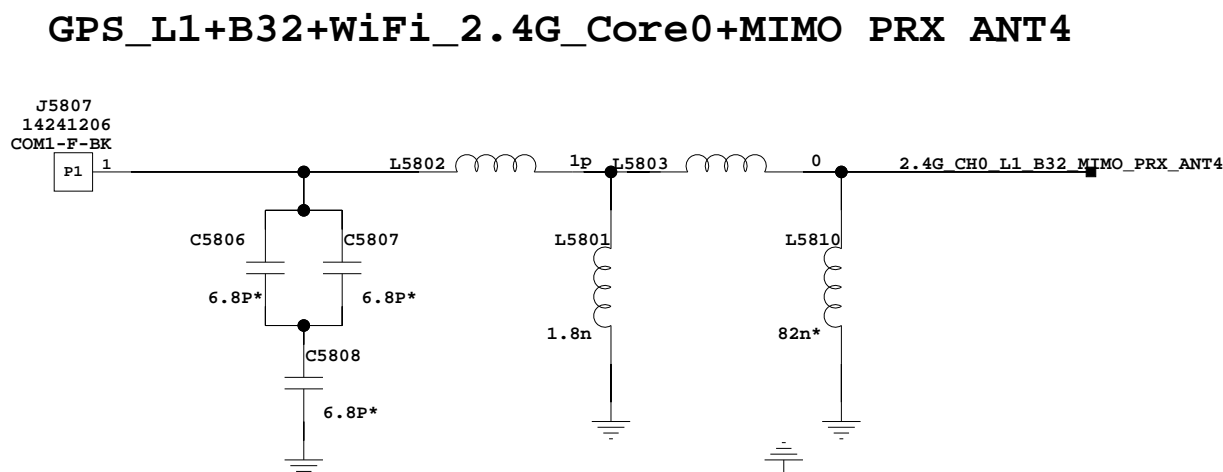
The type and specification of the components refer to the BOM

DESIGNED	HUAWEI	VER	PART_NUMBER	SHEET	57	DATE	2018-11-01
REVIEWED	HUAWEI	B	03088GSJ	NEF	60	DATE	
				MATE20 PORSCHEDESIGN PorscheDesign			
				HUAWEI TECH CO.,LTD.			

# 58.UP ANT: ANT4/5/6



该文档是极速PDF编辑器生成，  
如果想去掉该提示，请访问并下载：  
<http://www.jisupdfeditor.com/>

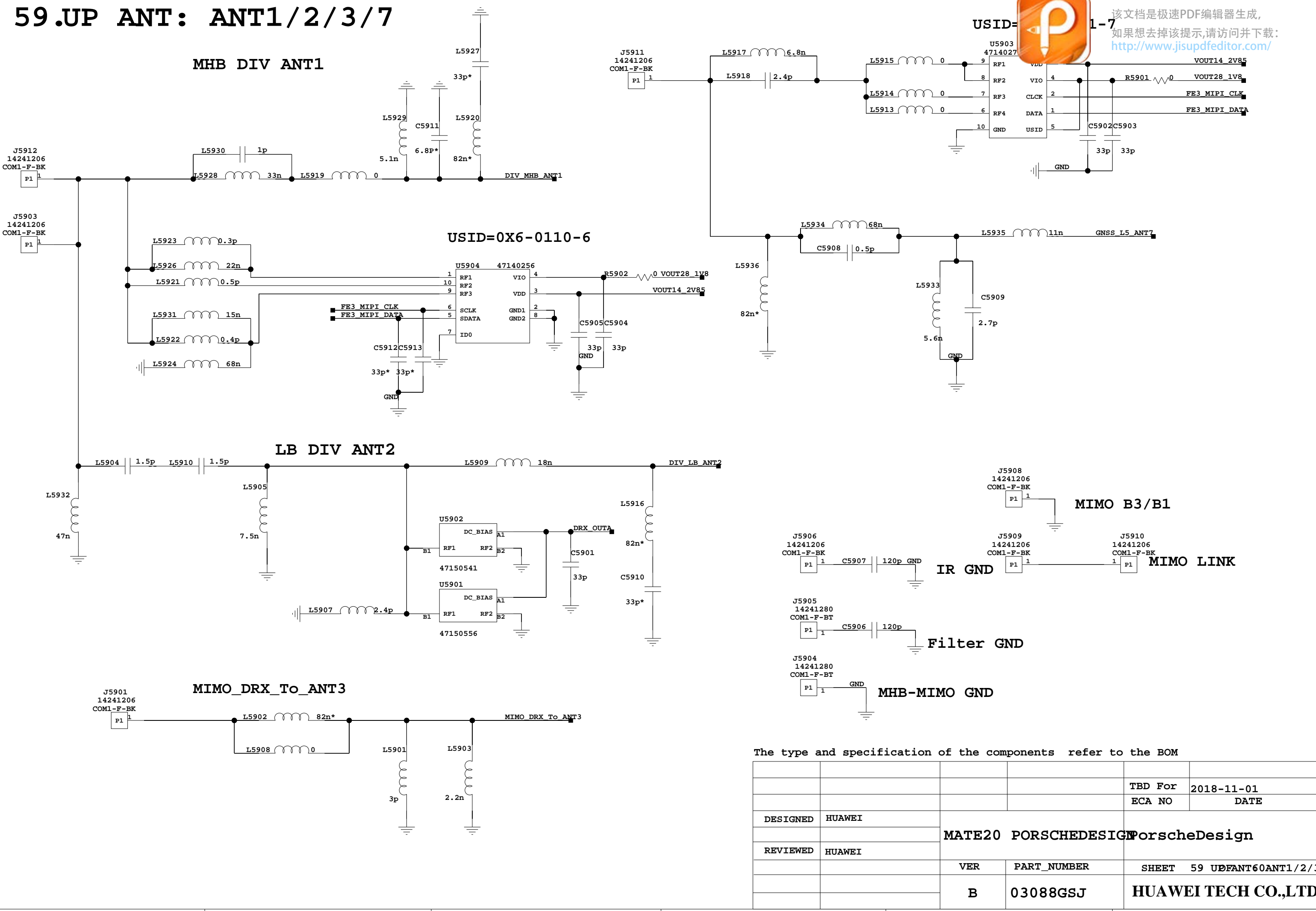


The type and specification of the components refer to the BOM

DESIGNED	HUAWEI	MATE20 PORSCHEDESIGN PorscheDesign	
REVIEWED	HUAWEI	VER	PART_NUMBER
		B	03088GSJ
		SHEET	58 UP ANT 20
		HUAWEI TECH CO.,LTD.	

# 59.UP ANT: ANT1/2/3/7

USID=1-7  
  
 该文档是极速PDF编辑器生成，  
 如果想去掉该提示，请访问并下载：  
<http://www.jisupdfeditor.com/>



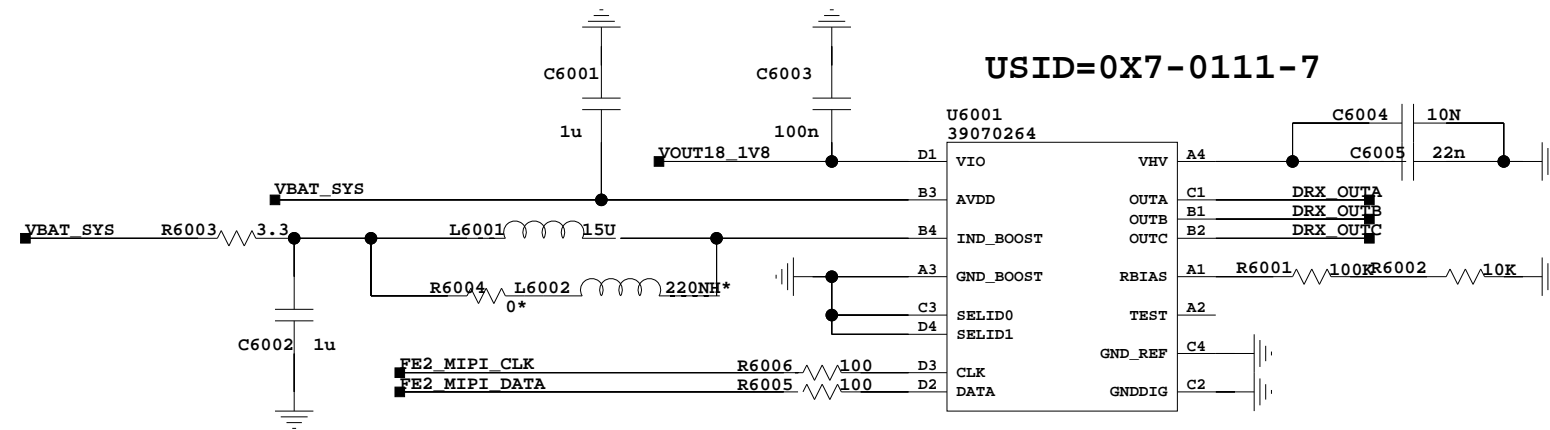
The type and specification of the components refer to the BOM

				TBD For	2018-11-01
				ECA NO	DATE
DESIGNED	HUAWEI	MATE20 PORSCHEDESIGN PorscheDesign			
REVIEWED	HUAWEI				
		VER	PART_NUMBER	SHEET 59 UP ANT1/2/3/7	
		B	03088GSJ	HUAWEI TECH CO.,LTD.	

# 60.Antenna Tunner



该文档是极速PDF编辑器生成，  
如果想去掉该提示，请访问并下载：  
<http://www.jisupdfeditor.com/>



The type and specification of the components refer to the BOM

					2018-11-01
				ECA NO	DATE
DESIGNED	HUAWEI	MATE20 PORSCHEDESIGN PorscheDesign			
REVIEWED	HUAWEI				
		VER	PART_NUMBER	SHEET 60 AntennaTunner	
		B	03088GSJ	HUAWEI TECH CO.,LTD.	