

Baseband Schematic

1. Contents
2. RES
3. SOC PWR1
4. SOC PWR2
5. SOC PWR3
6. SOC HS Interface
7. SOC GPIO Interface
8. SOC RF Interface
9. SOC GND & NC
10. PMU LDO
11. PMU BUCK
12. PMU MISC & BUCKBOOST
13. HI6422
14. UFS and LPDDR4
15. Battery & Fuel gauge
16. Charge Management
17. LCD Interface
18. Flash /Front CAM
19. Main CAM
20. USB
21. Main FPC
22. Codec HI6403
23. Direct Charger
24. SMART PA
25. Audio
26. Headphone
27. X-Sensor
28. SIM Card/SD
29. LED /KEY/IR
30. Test Point/Shielding

MODEM Schematic

31. RF Interface
32. APT Power
33. RF Transceiver_0
34. RF FRONT END HB
35. RF FRONT END B42
36. RF FRONT END MB
37. RF Front End LB
38. RF Front End Switch /Main ANT
39. RF Front End Diversity
40. RF Front End Diversity
41. Reserved for CDMA Modem
42. Reserved for CDMA Modem
43. Reserved for CDMA Modem
44. Reserved for CDMA Modem
45. Reserved for CDMA Modem
46. Reserved for CDMA Modem
47. Reserved for CDMA Modem
48. Reserved for CDMA Modem
49. Reserved
50. Reserved
51. BCM43455 BB
52. BCM43455 POWER
53. Reserved
54. WALN RF0
55. WLAN RF1
56. GPS
57. NFC
58. RF Transceiver2
59. Reserved
60. ANT Tuner

The type and specification of the components refer to the BOM

					07-08-2017_09:08
				NA	2017/05/05
				ECA NO	DATE
DESIGNED	lixuan 00383474	HL1BKLM			
REVIEWED	liuwencheng 00337443				
		VER	PART_NUMBER	SHEET 1 Content 59	
		A		HUAWEI TECH CO.,LTD.	

2.RES

A

A

B

B

C

C

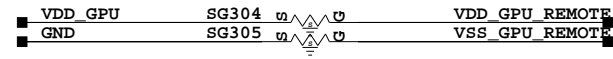
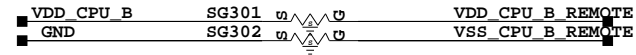
D

D

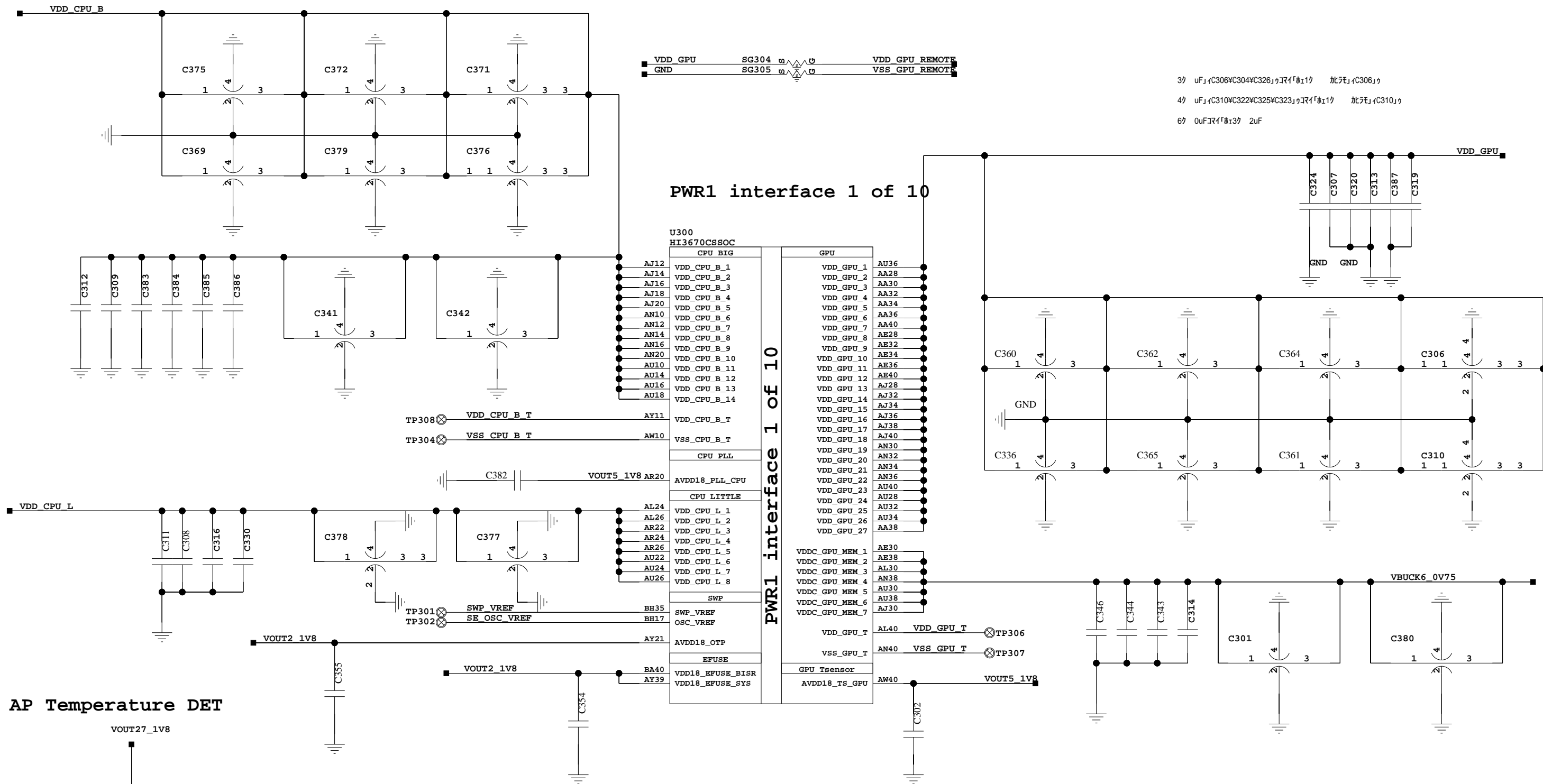
The type and specification of the components refer to the BOM

					07-08-2017_09:09
				NA	2017/05/05
				ECA NO	DATE
DESIGNED	lixuan 00383474	HL1BKLM			
REVIEWED	liuwencheng 00337443				
		VER	PART_NUMBER	SHEET 2 REOF 79	
				HUAWEI TECH CO.,LTD.	

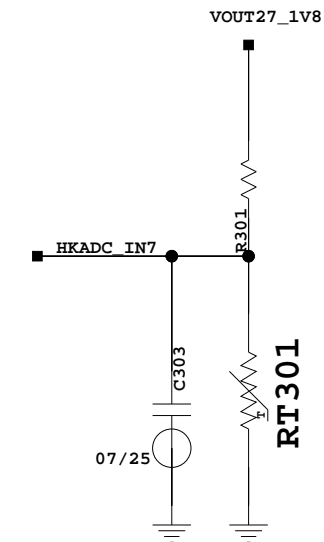
3.SOC PWR1



3) uF, C306#C304#C326, 100nF, 加75, C306
 4) uF, C310#C322#C325#C323, 100nF, 加75, C310
 6) 0uF, 100nF, 2uF



AP Temperature DET



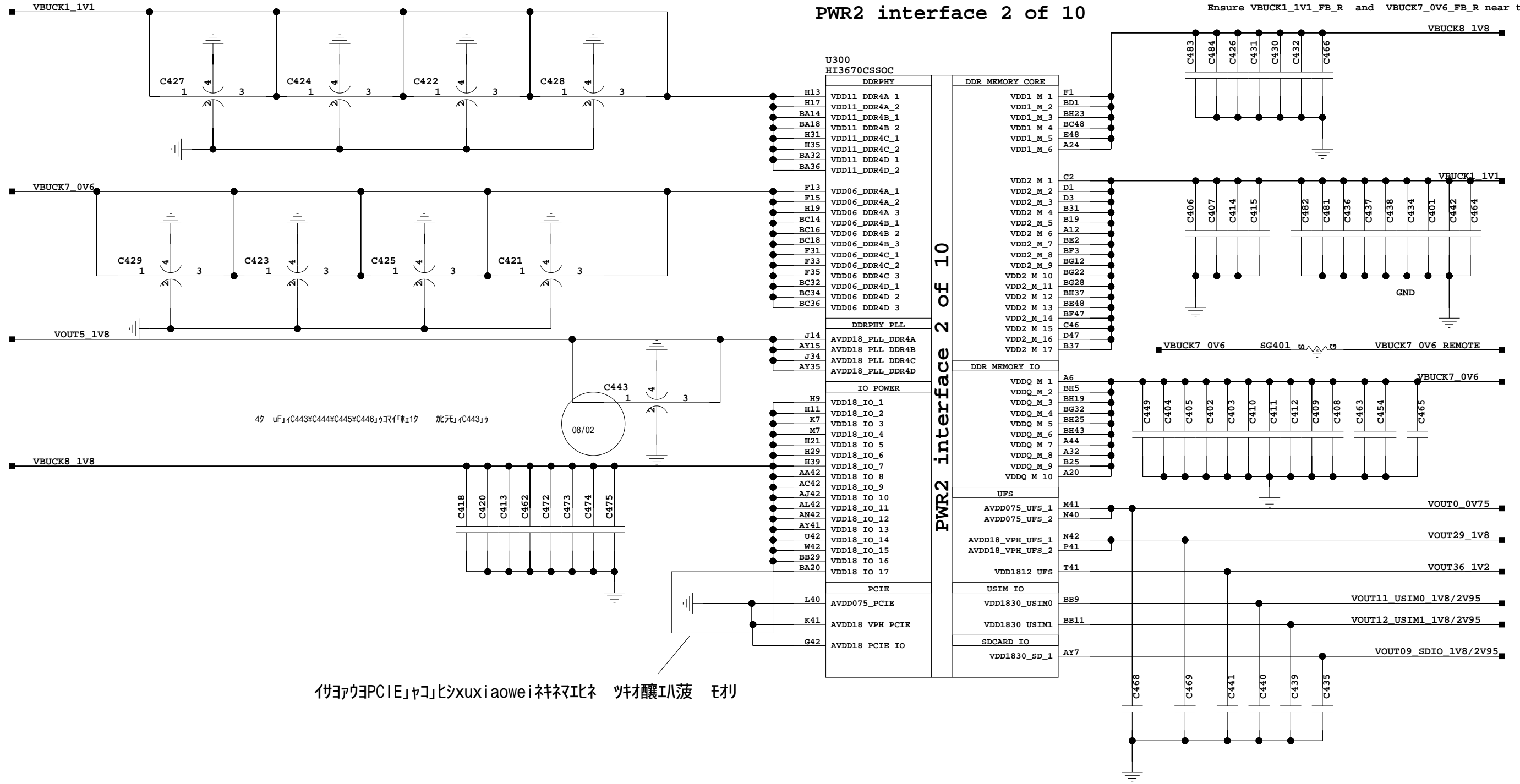
The type and specification of the components refer to the BOM

DESIGNED	lixuan 00383474	HL1BKLM		NA	2017/05/05
REVIEWED	liuwencheng 00337443	HL1BKLM		ECA NO	DATE
		VER	PART_NUMBER	SHEET 3 SOC PWR1 79	
		A		HUAWEI TECH CO.,LTD.	

4.SOC PWR2

PWR2 interface 2 of 10

Ensure VBUCK1_1V1_FB_R and VBUCK7_0V6_FB_R near the CAP



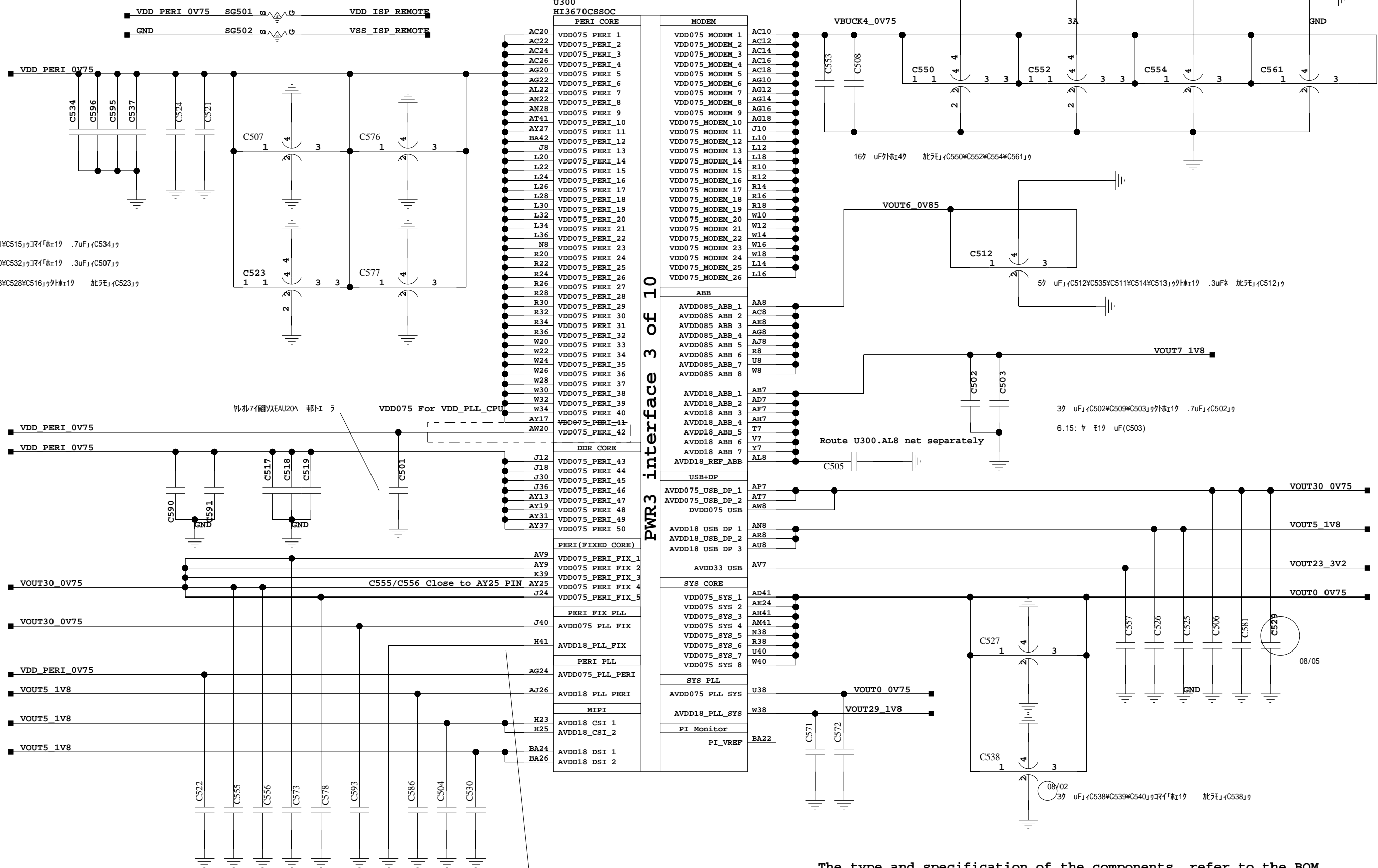
PCIEにxuxiaoweいネマニネ ツナグハ波 モリ

The type and specification of the components refer to the BOM

				NA	2017/05/05
				ECA NO	DATE
DESIGNED	lixuan 00383474	HL1BKLM			
REVIEWED	liuwencheng 00337443				
		VER	PART_NUMBER	SHEET 4 SOC PWR2 79	
		A		HUAWEI TECH CO.,LTD.	

5.SOC PWR3

PWR3 interface 3 of 10

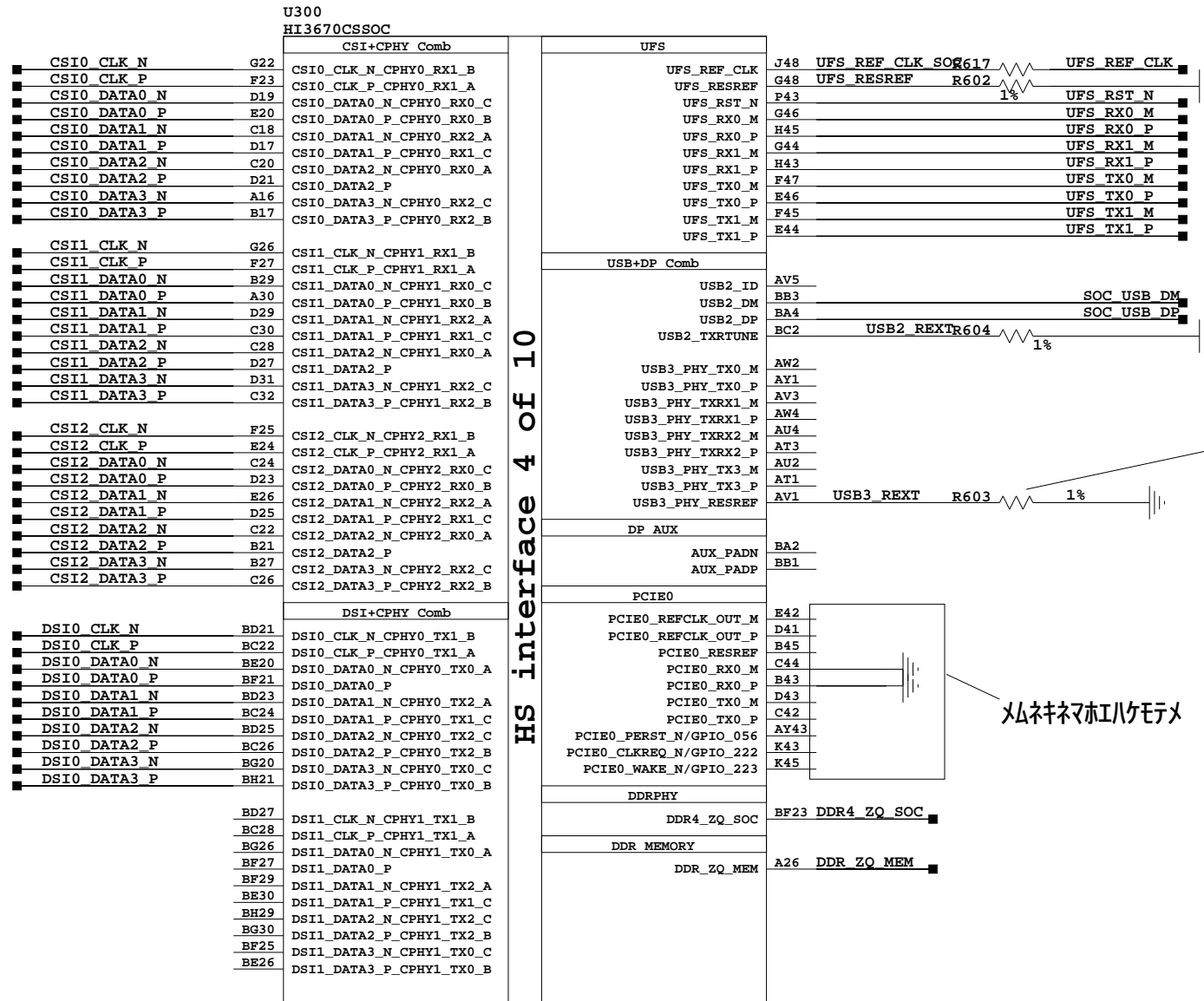


PCIE, xuxiaoweit, 波, 波, 波

The type and specification of the components refer to the BOM

DESIGNED	lixuan 00383474	HL1BKLM	VER	PART_NUMBER	SHEET	5 SOOPWR39
REVIEWED	liuwencheng 00337443		A		HUAWEI TECH CO.,LTD.	
					NA	2017/05/05
					ECA NO	DATE

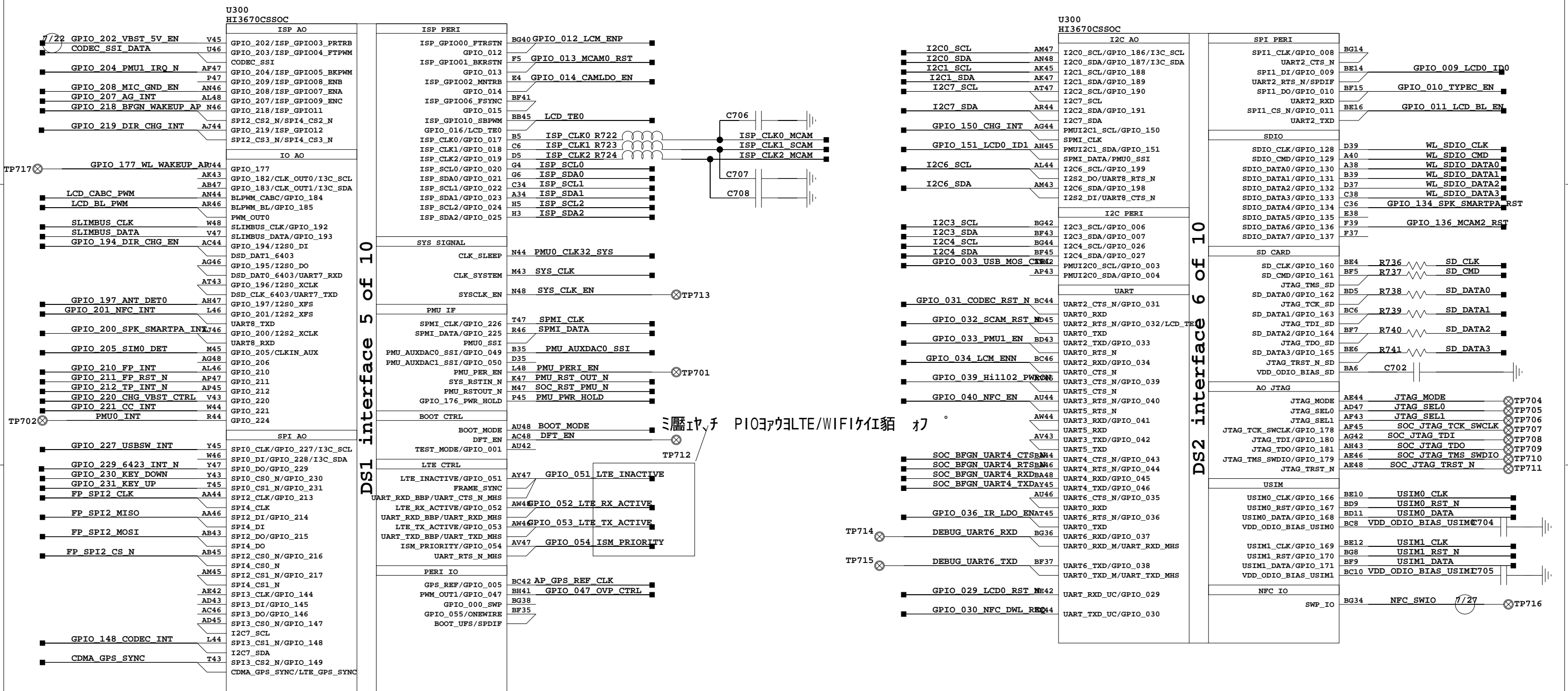
6.SOC HS INTERFACE



The type and specification of the components refer to the BOM

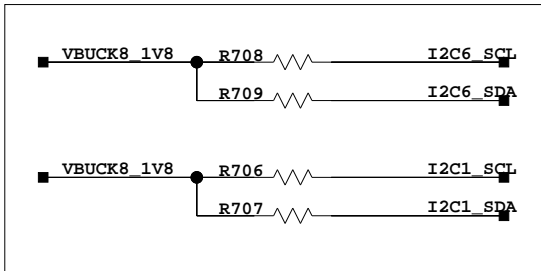
				NA	2017/05/05
				ECA NO	DATE
DESIGNED	lixuan 00383474	HL1BKLM			
REVIEWED	liuwencheng 00337443				
		VER	PART_NUMBER	SHEET 6 SOC HS INTERFACE	
		A		HUAWEI TECH CO.,LTD.	

7.SOC GPIO INTERFACE1



DS1 interface 5 of 10

DS2 interface 6 of 10

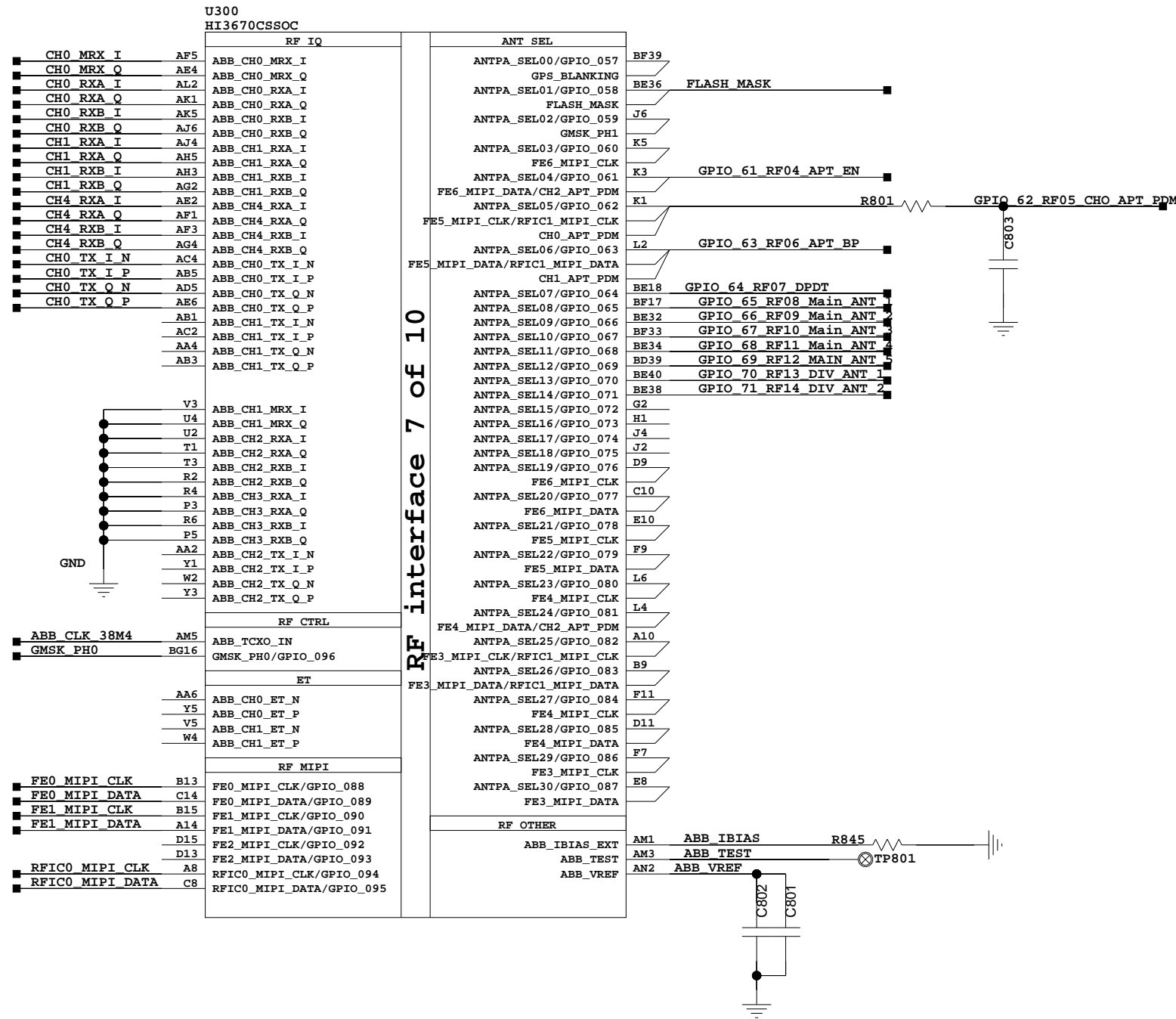


I2C For Charger Circuits pulled to BUCK8

The type and specification of the components refer to the BOM

DESIGNED	lixuan 00383474	VER	PART_NUMBER	SHEET 7 SOC GPIO INTERFACE
REVIEWED	liuwencheng 00337443	A		HUAWEI TECH CO.,LTD.
				HL1BKLM
				NA 2017/05/05
				ECA NO DATE

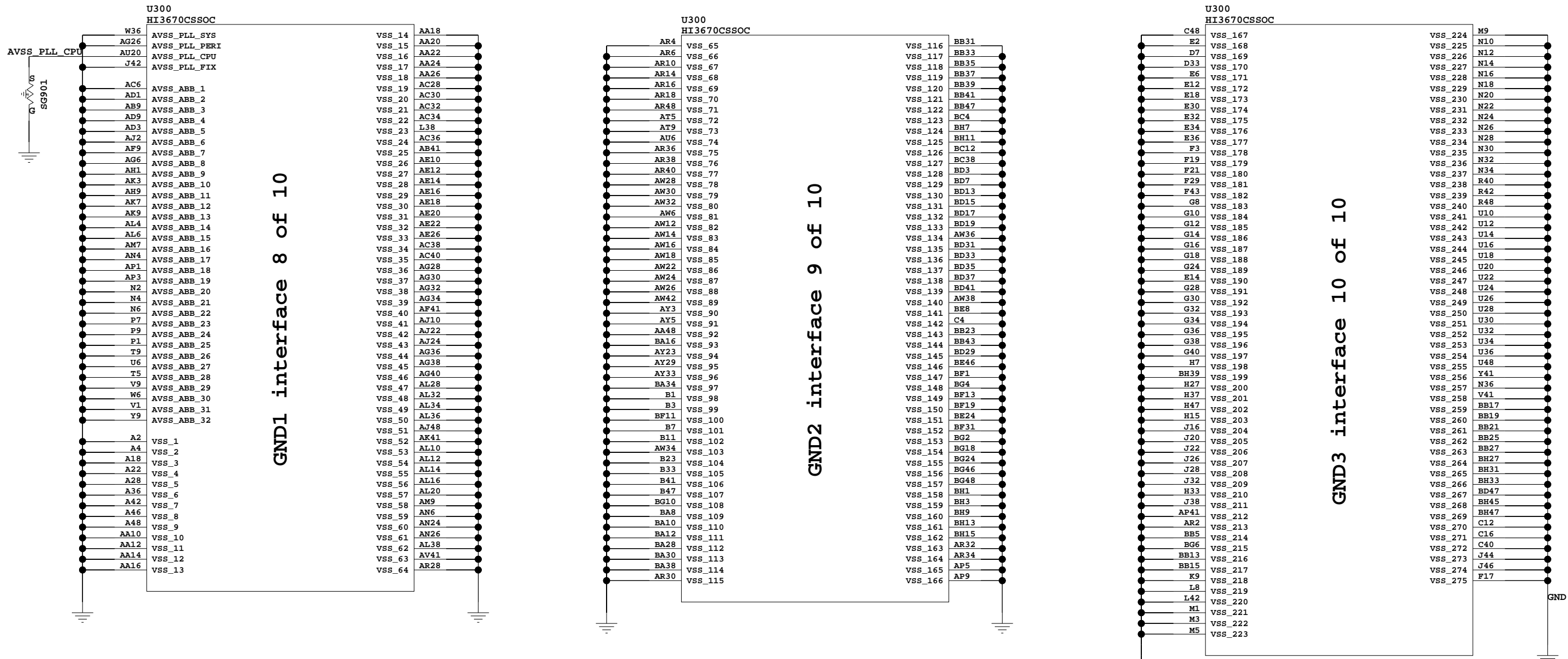
8.SOC RF INTERFACE



The type and specification of the components refer to the BOM

				NA	2017/05/05
				ECA NO	DATE
DESIGNED	lixuan 00383474	HL1BKLM			
REVIEWED	liuwencheng 00337443				
		VER	PART_NUMBER	SHEET 8 SOC R0F 79	
		A		HUAWAI TECH CO.,LTD.	

9.SOC GND

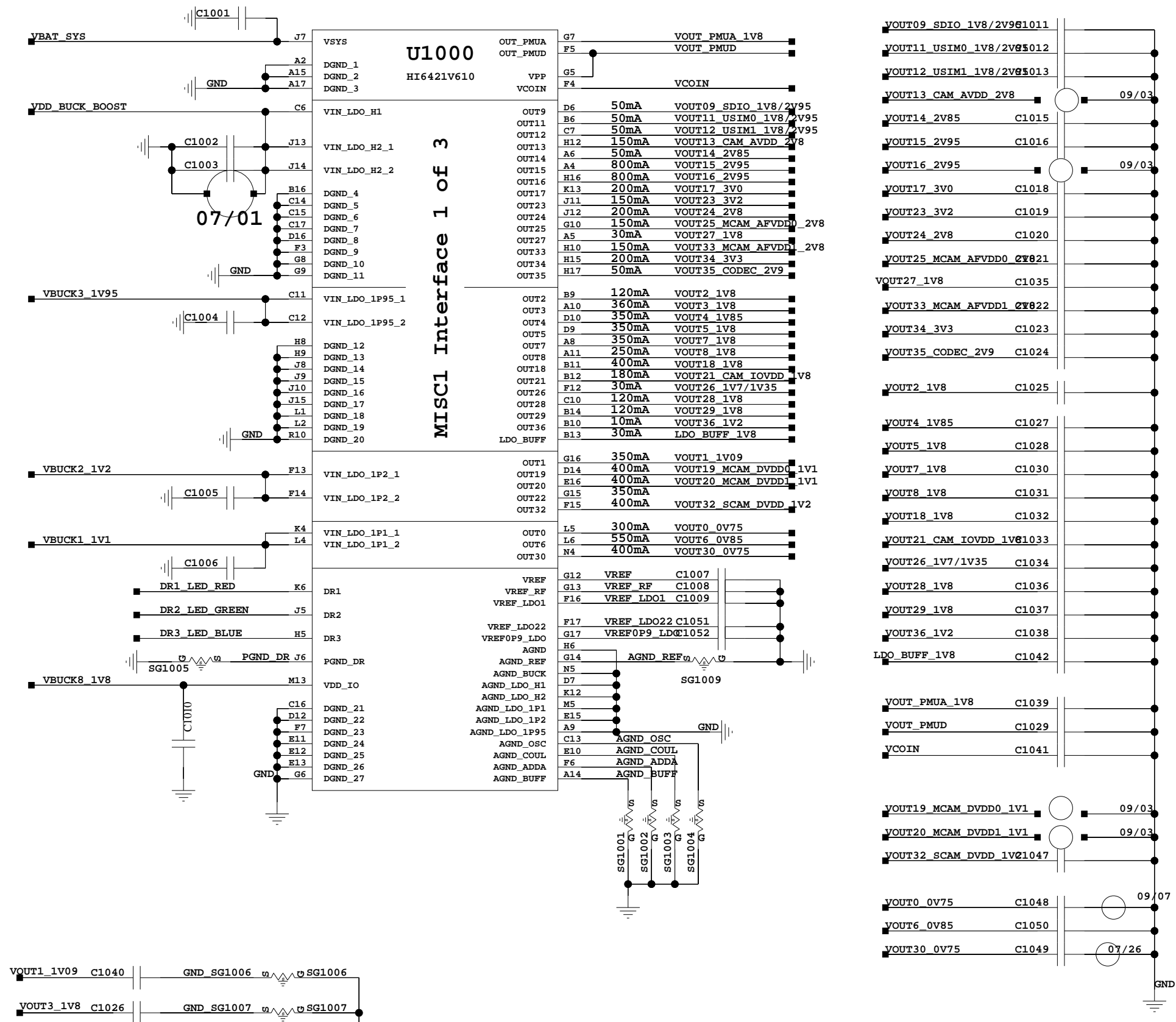


The type and specification of the components refer to the BOM

				NA	2017/05/05
				ECA NO	DATE
DESIGNED	lixuan 00383474	HL1BKLM			
REVIEWED	liuwencheng 00337443				
		VER	PART_NUMBER	SHEET 9 SOC GND 79	
		A		HUAWEI TECH CO.,LTD.	

10. Hi6421 LDO

NUM	Vol	Current	Function
LDO0	0.75	300	SOC:UFS,SYS,PLL_SYS
LDO1	1.09	350	RFIC0 AVDD10
LDO2	1.8	120	SOC_EFUSE&HISEE
LDO3	1.8	360	RFIC AVDD18,LNA_VDD
LDO4	1.85	350	LCD&TP 1.8V IO
LDO5	1.8	350	SOC 1.8V AVDD
LDO6	0.85	550	SOC:AVDD085_ABB
LDO7	1.8	350	SOC:AVDD18_ABB
LDO8	1.8	250	IOVDD FOR Codec/RF
LDO9	1.8	50	SOC SDIO 1.8V
LDO11	1.8/2.95	50	SIM0
LDO12	1.8/2.95	50	SIM1
LDO13	2.8	150	CAM_AVDD
LDO14	2.85	50	RF switch VDD
LDO15	2.95	800	UFS_VCC
LDO16	2.95	800	SDCARD VDD
LDO17	3.3	200	MOTOR
LDO18	1.8	400	PERI IOVDD
LDO19	1.2	400	MCAM_DVDD0
LDO20	1.1	400	MCAM_DVDD1
LDO21	1.8	180	CAM IOVDD
LDO22	1.09	350	RESEVERD
LDO23	3.2	150	USB 2.0 PHY/PA
LDO24	2.8	200	Sensor VDD
LDO25	2.85	150	MCAM_AFVDD0
LDO26	1.7	30	38.4MHZ XO CORE
LDO27	1.8	30	HKADC,XOADC
LDO28	1.8	120	RF switch VIO
LDO29	1.8	120	VPH_UFS,PLL_SYS
LDO30	0.75	400	FIX 0.75 For SOC
LDO32	1.1	400	SlaveCAM_DVDD
LDO33	2.8	150	MCAM_AVDD0
LDO34	3.3	200	FP VDD
LDO35	2.9	50	CODEC_AVDD
LDO36	1.2	10	UFS refclk/rst IO

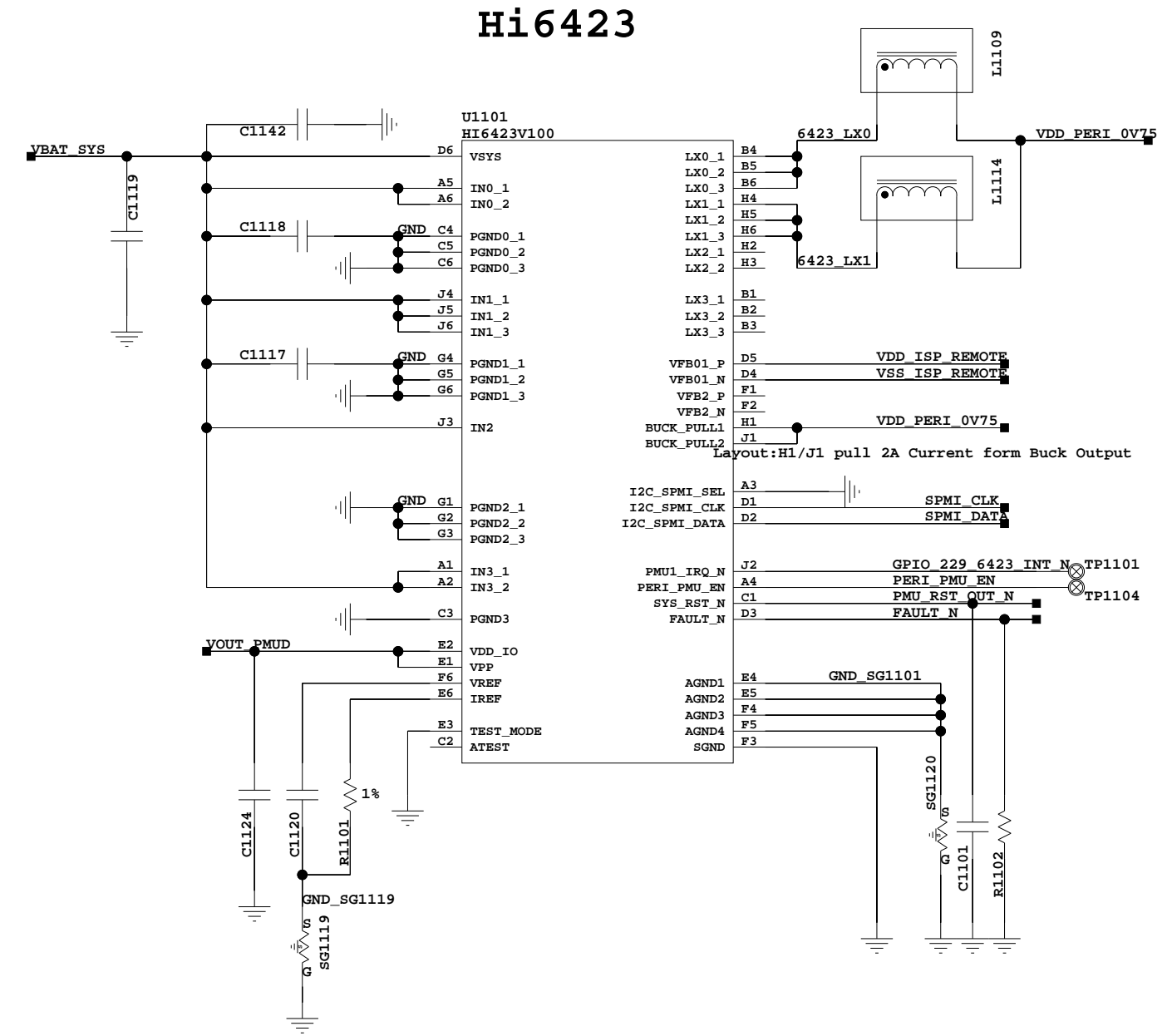
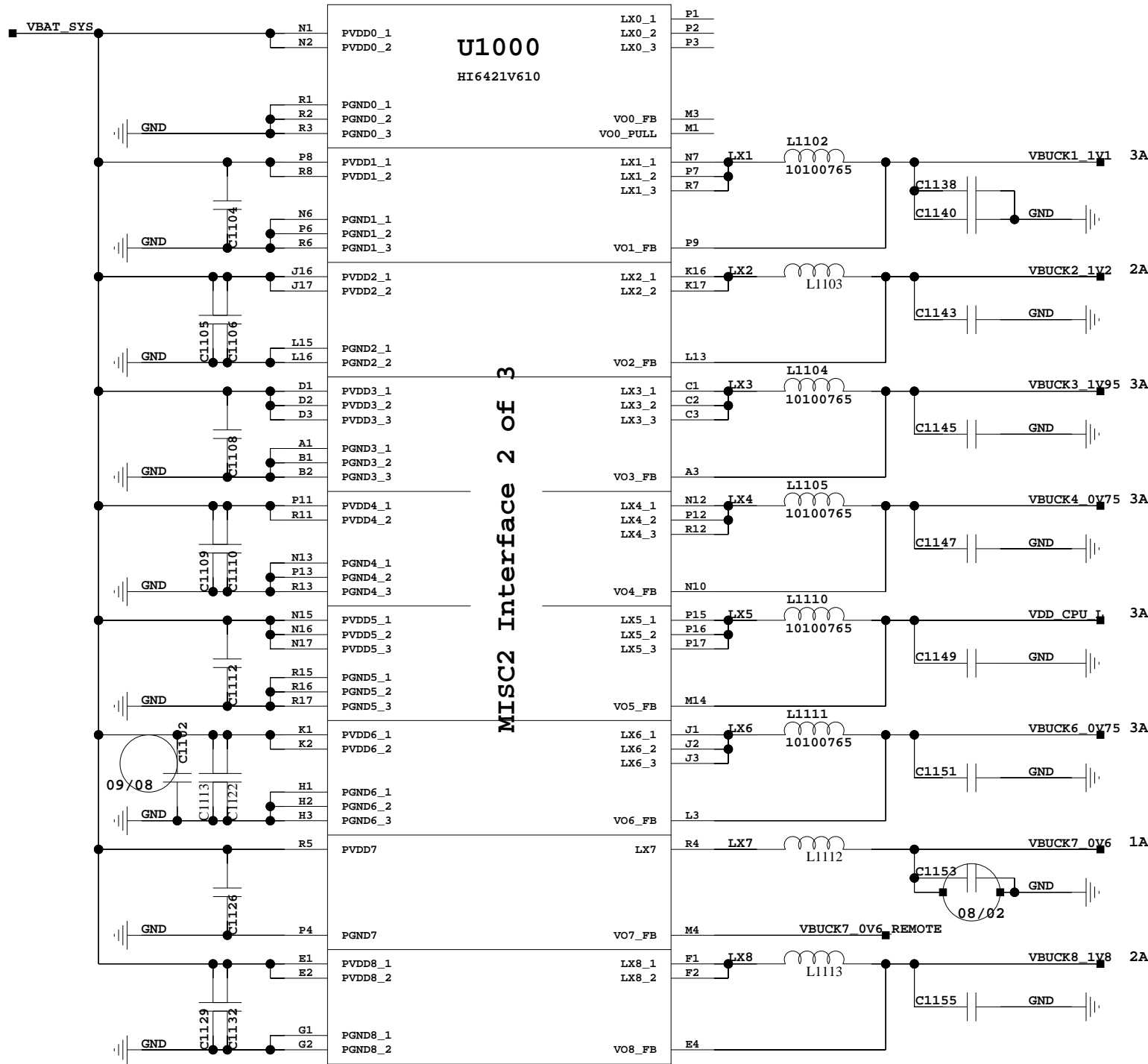


The type and specification of the components refer to the BOM

DESIGNED	lixuan 00383474	HL1BKLM	VER	PART_NUMBER	SHEET 10 PMDF LDO79
REVIEWED	liuwencheng 00337443		A		HUAWEI TECH CO.,LTD.

NA 2017/05/05
ECA NO DATE

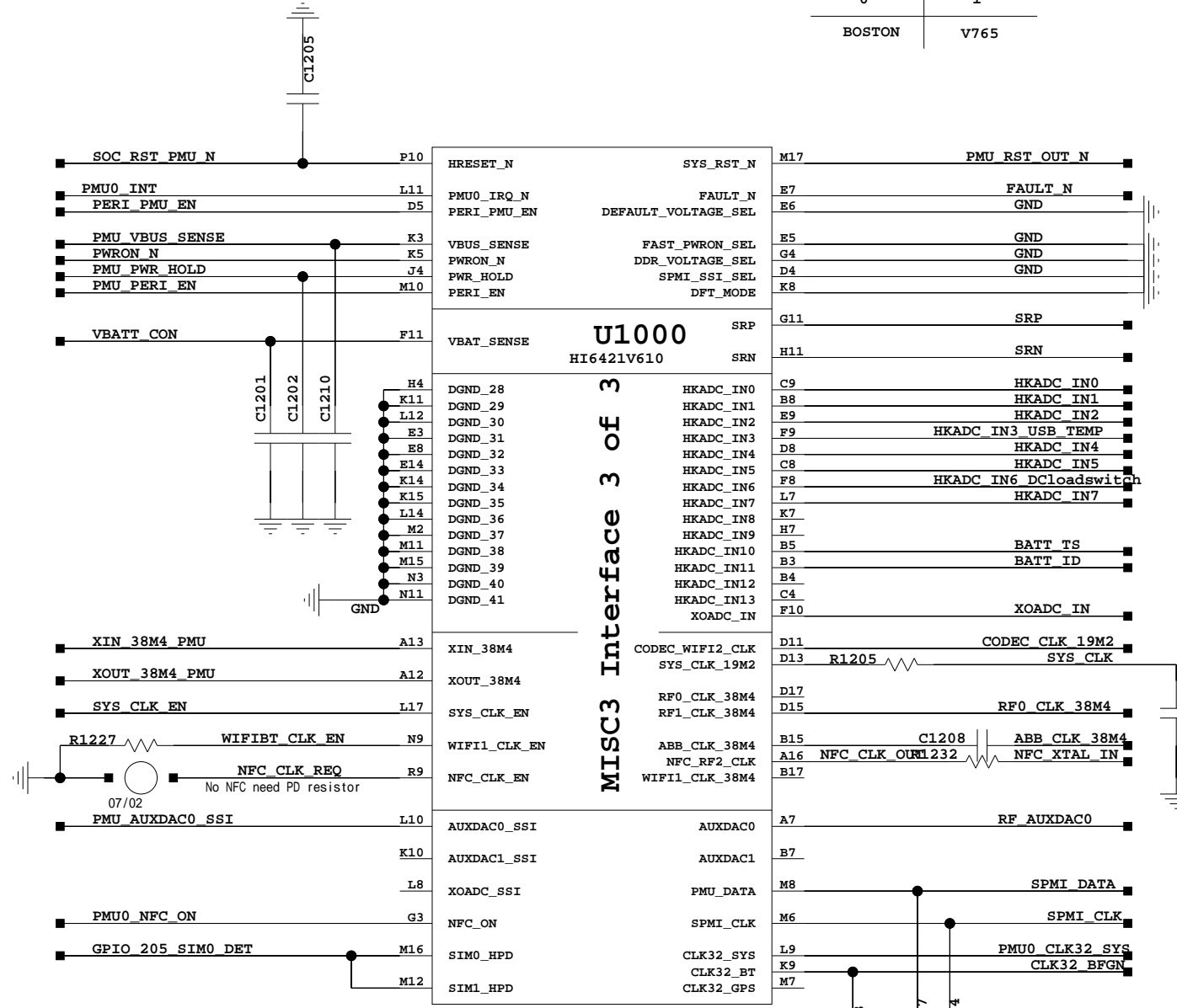
11.Hi6421 BUCK AND Hi6423



The type and specification of the components refer to the BOM

				NA	2017/05/05
				ECA NO	DATE
DESIGNED	lixuan 00383474				
REVIEWED	liuwencheng 00337443				
		VER	PART_NUMBER	SHEET	11 PMU0BUCK9HI6423
		A		HUAWEI TECH CO.,LTD.	

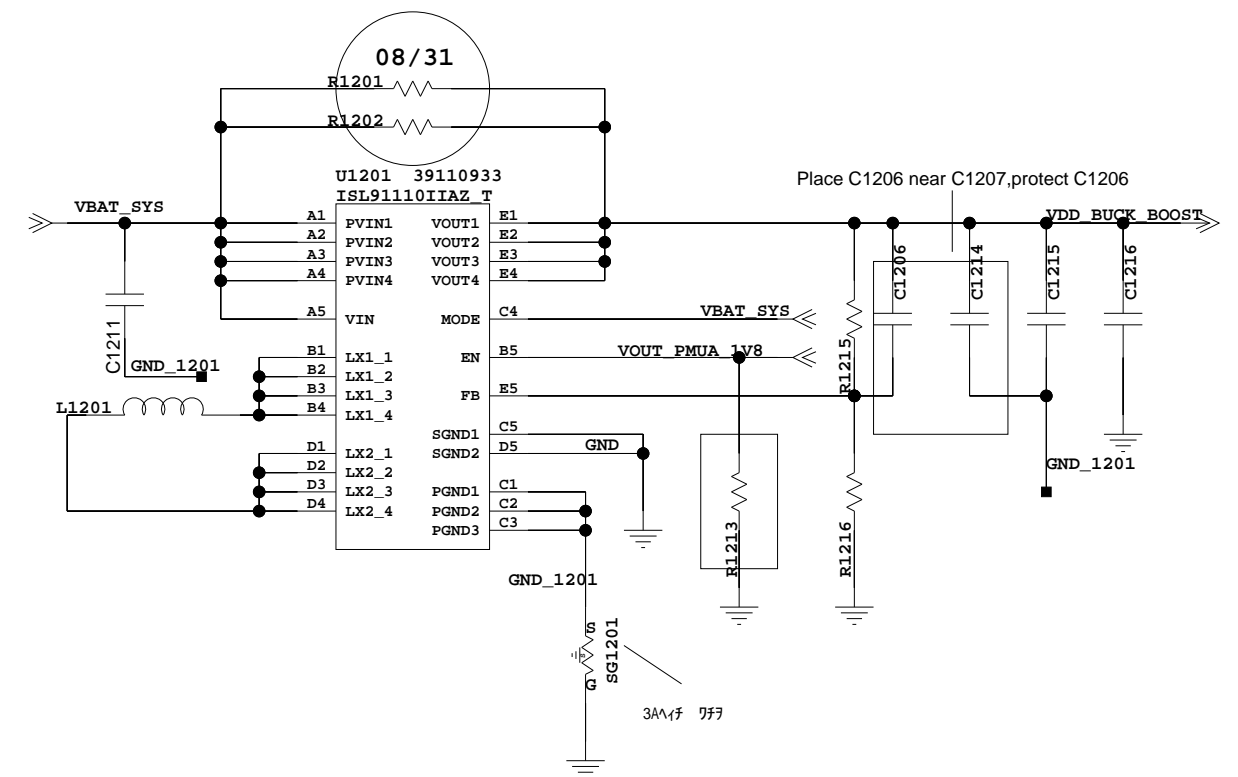
12.Hi6421 DIGITAL INTERFACE



MISC3 Interface 3 of 3

HKADC IN0	APU Board ID0
HKADC IN1	APU Board ID1
HKADC IN2	APU Board ID2
HKADC IN3	TypeC TEMP
HKADC IN4	RFIC0 TEMP
HKADC IN5	Charge TEMP
HKADC IN6	RESERVED
HKADC IN7	AP TEMP
HKADC IN8	RESERVED
HKADC IN9	RFIC1 TEMP
HKADC IN10	BATT TEMP
HKADC IN11	BATT ID
HKADC IN12	RESERVED
HKADC IN13	RESERVED

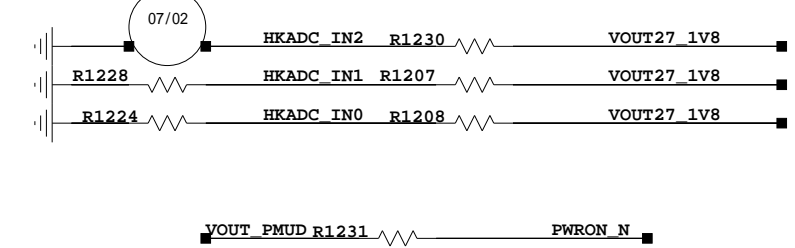
BUCK BOOST $V_{out}=0.8*(1+R1/R2)=3.467V$



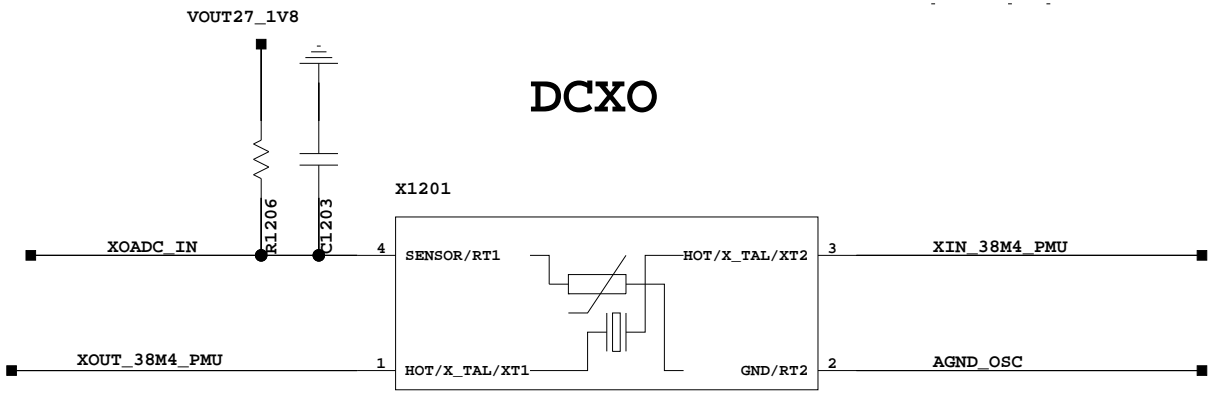
BOARD ID Table

Board ID	HKADC2	HKADC1	HKADC0
V1	9	0	1
V3			

HKADC_IN2 PD resistor delete
only for BKL project, new project need double check



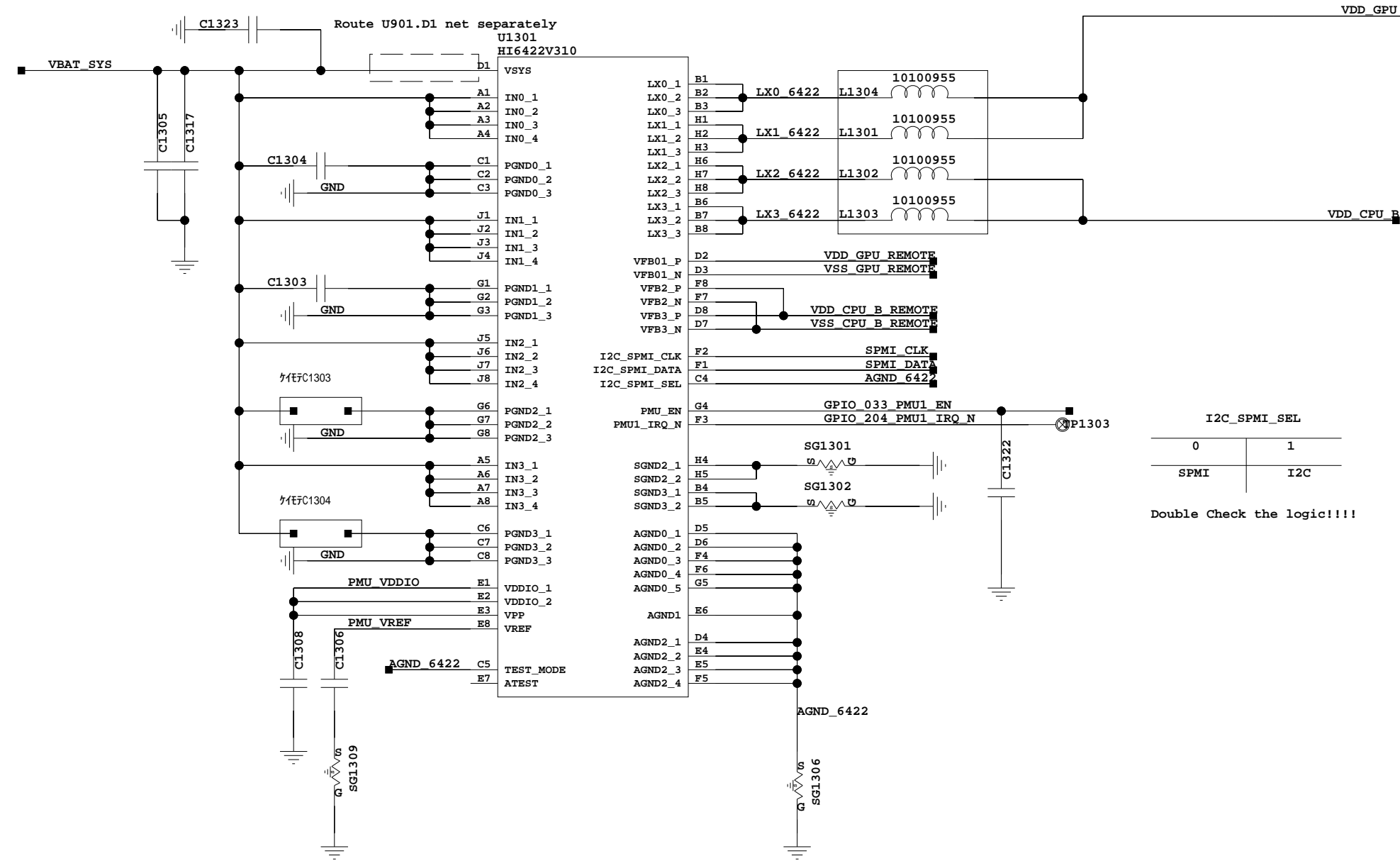
DCXO



The type and specification of the components refer to the BOM

DESIGNED	lixuan 00383474	HL1BKLM	VER	PART_NUMBER	SHEET 12 PMDF MISTY BuckBoost
REVIEWED	liuwencheng 00337443		A		HUAWEI TECH CO.,LTD.

13.Hi6422V300



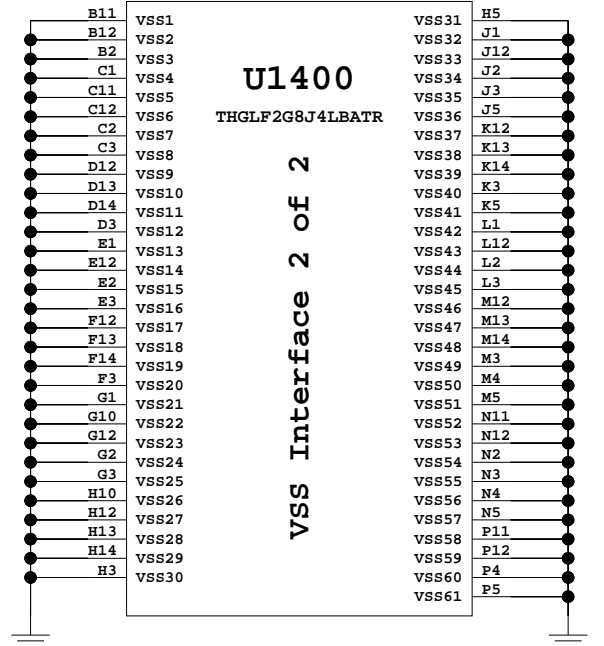
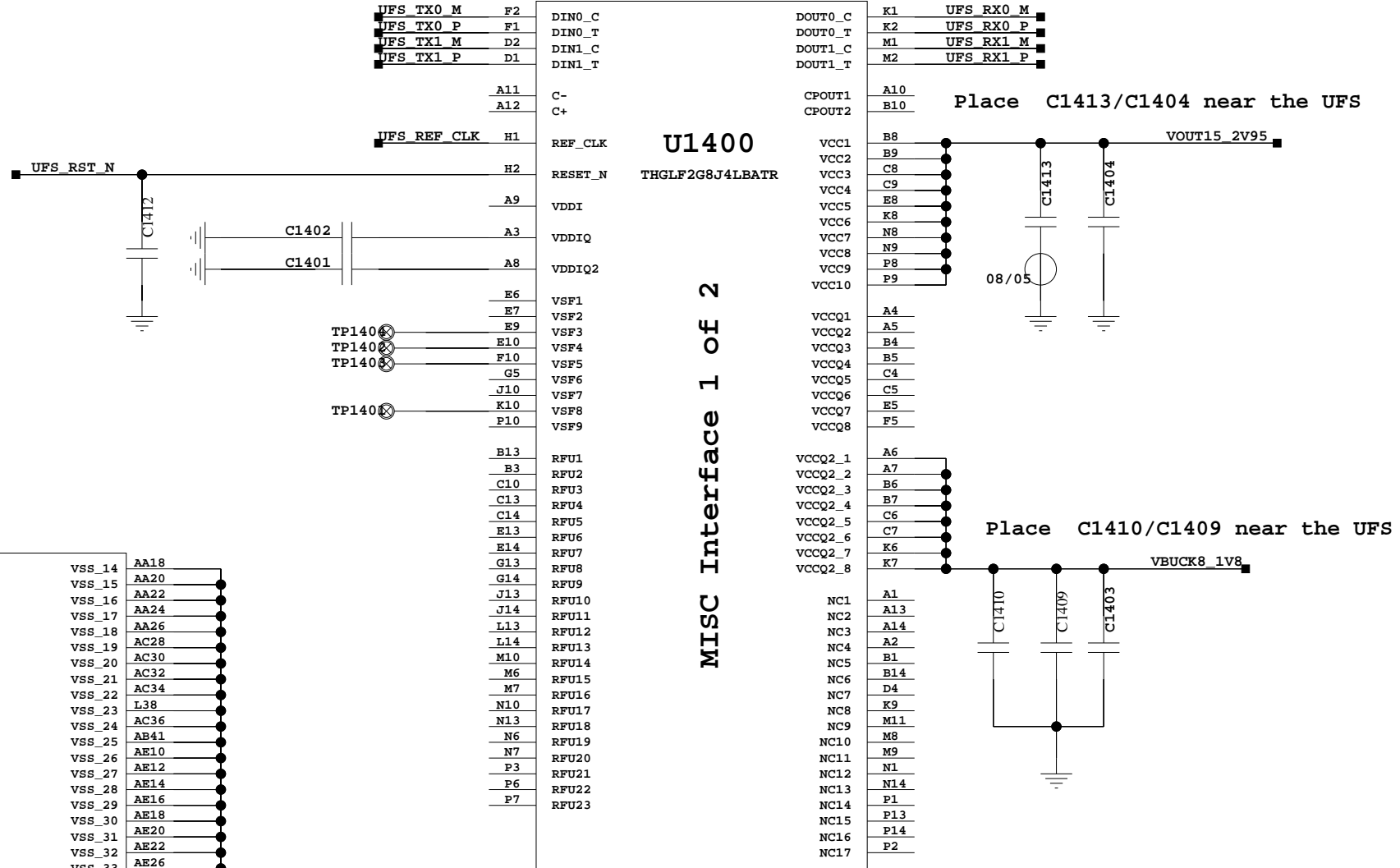
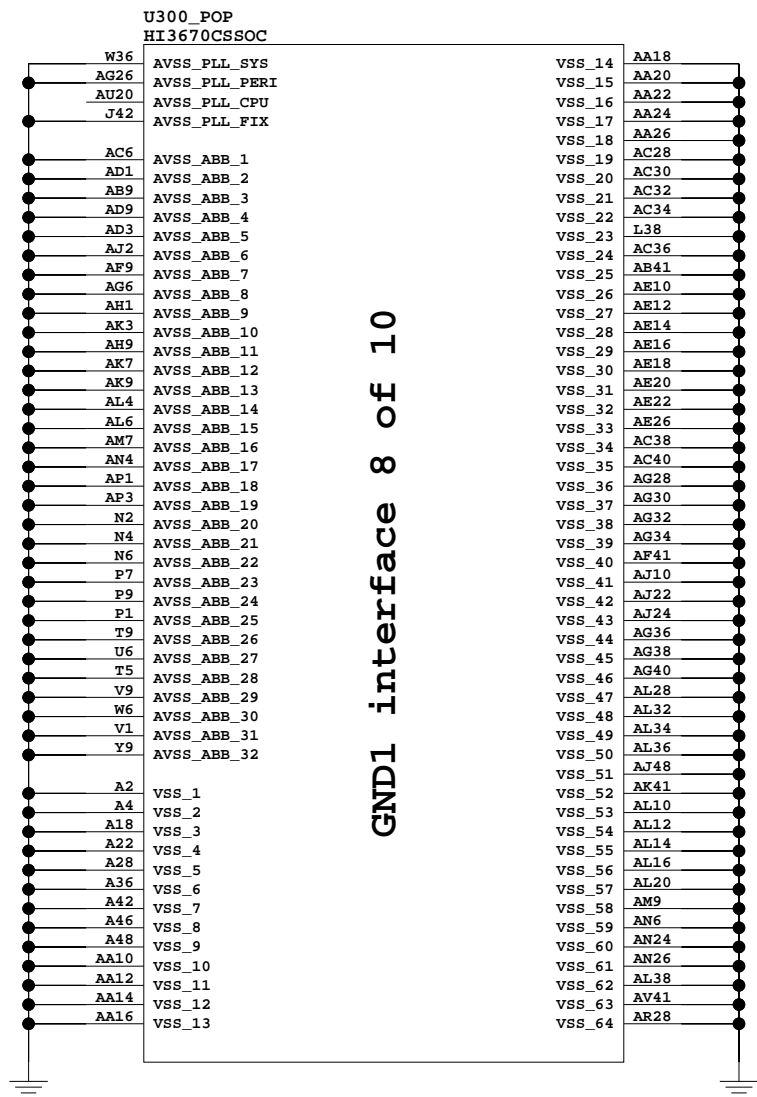
The type and specification of the components refer to the BOM

				NA	2017/05/05
				ECA NO	DATE
DESIGNED	lixuan 00383474	HL1BKLM			
REVIEWED	liuwencheng 00337443				
		VER	PART_NUMBER	SHEET 13 PMU HI6422	
		A		HUAWAI TECH CO.,LTD.	

14.UFS and LPDDR4X

64G 40060893
 128G 40060894
 256G 40060823

4G 40020441
 6G 40020442

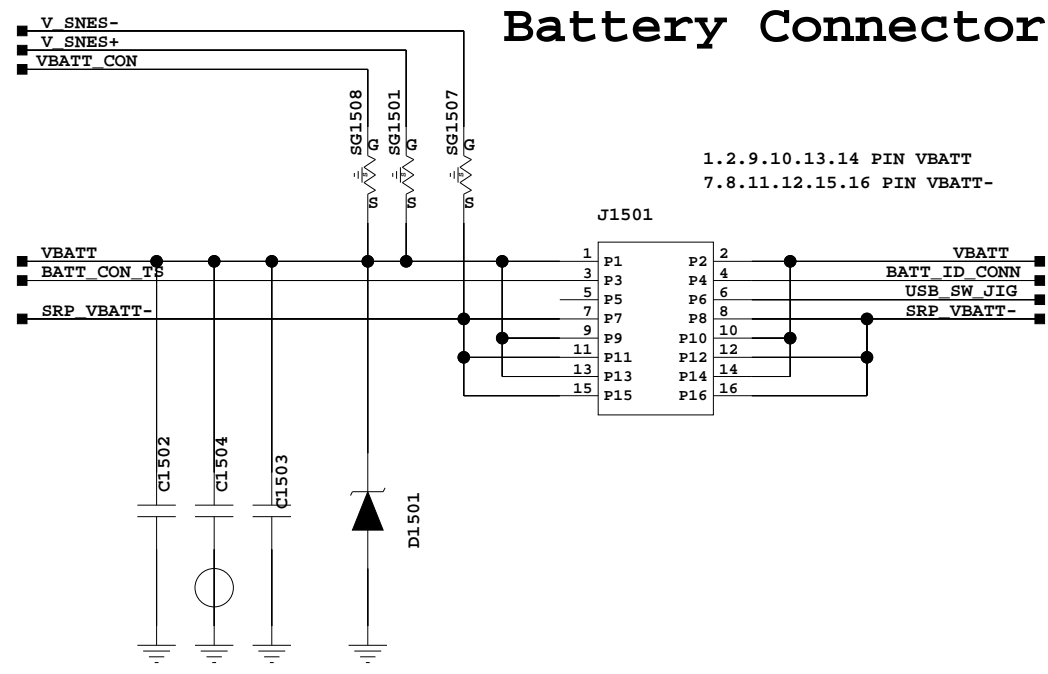


The type and specification of the components refer to the BOM

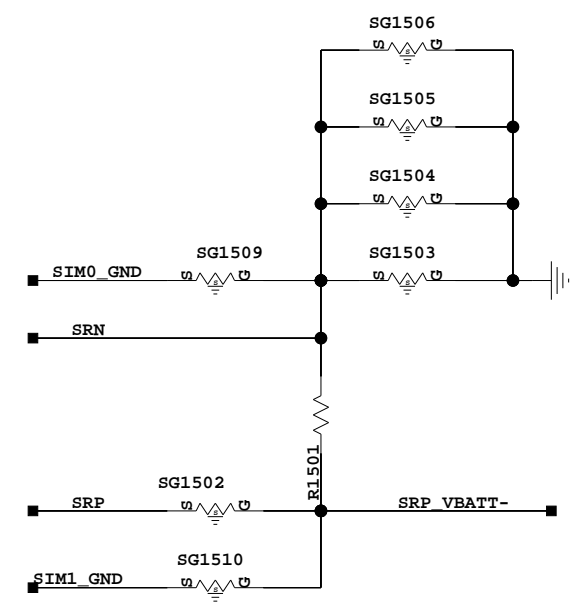
				NA	2017/05/05
				ECA NO	DATE
DESIGNED	lixuan 00383474	HL1BKLM			
REVIEWED	liuwencheng 00337443				
		VER	PART_NUMBER	SHEET	14 UFS LPDDR
		A		HUAWEI TECH CO.,LTD.	

15. Battery & Fuel guage

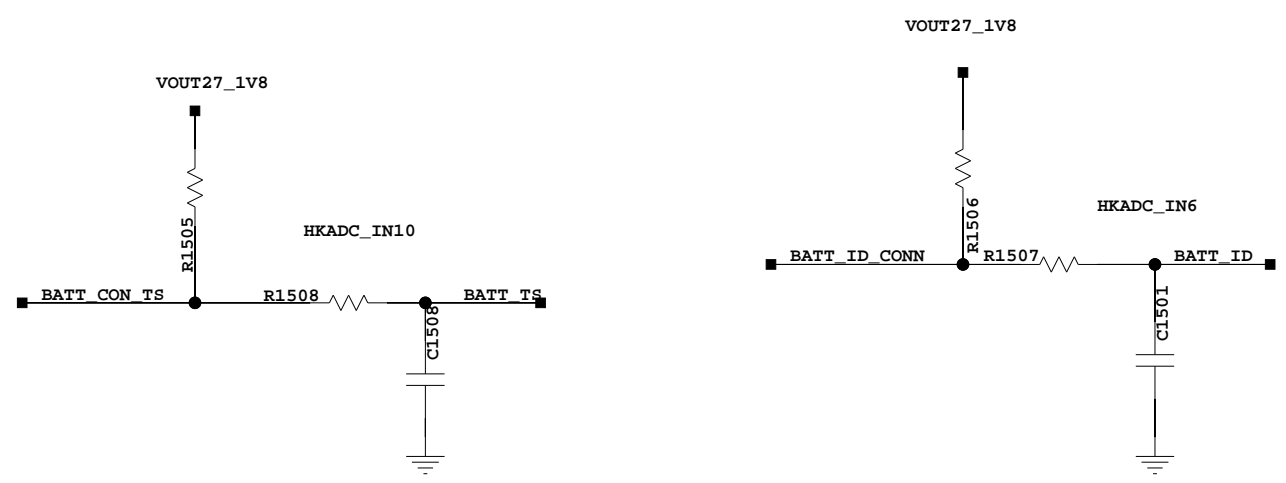
3777



08/06
Reduce Direct charge current ripple
C1504 DNI default



CAD note:
1.Trace for 9A
2.Differential trace



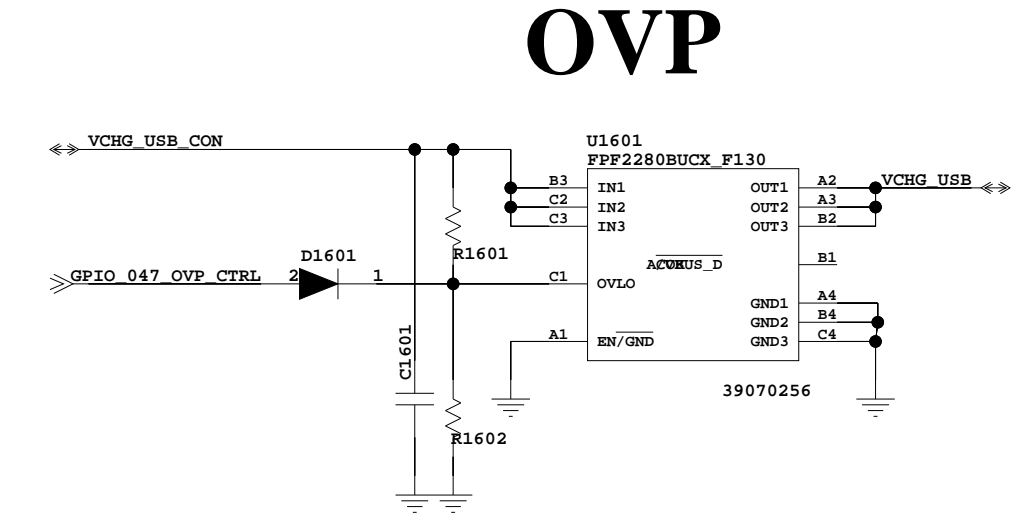
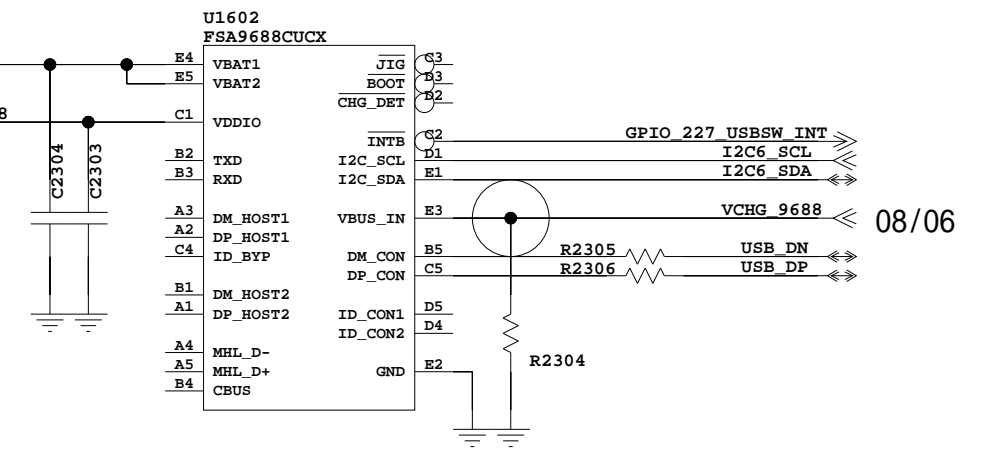
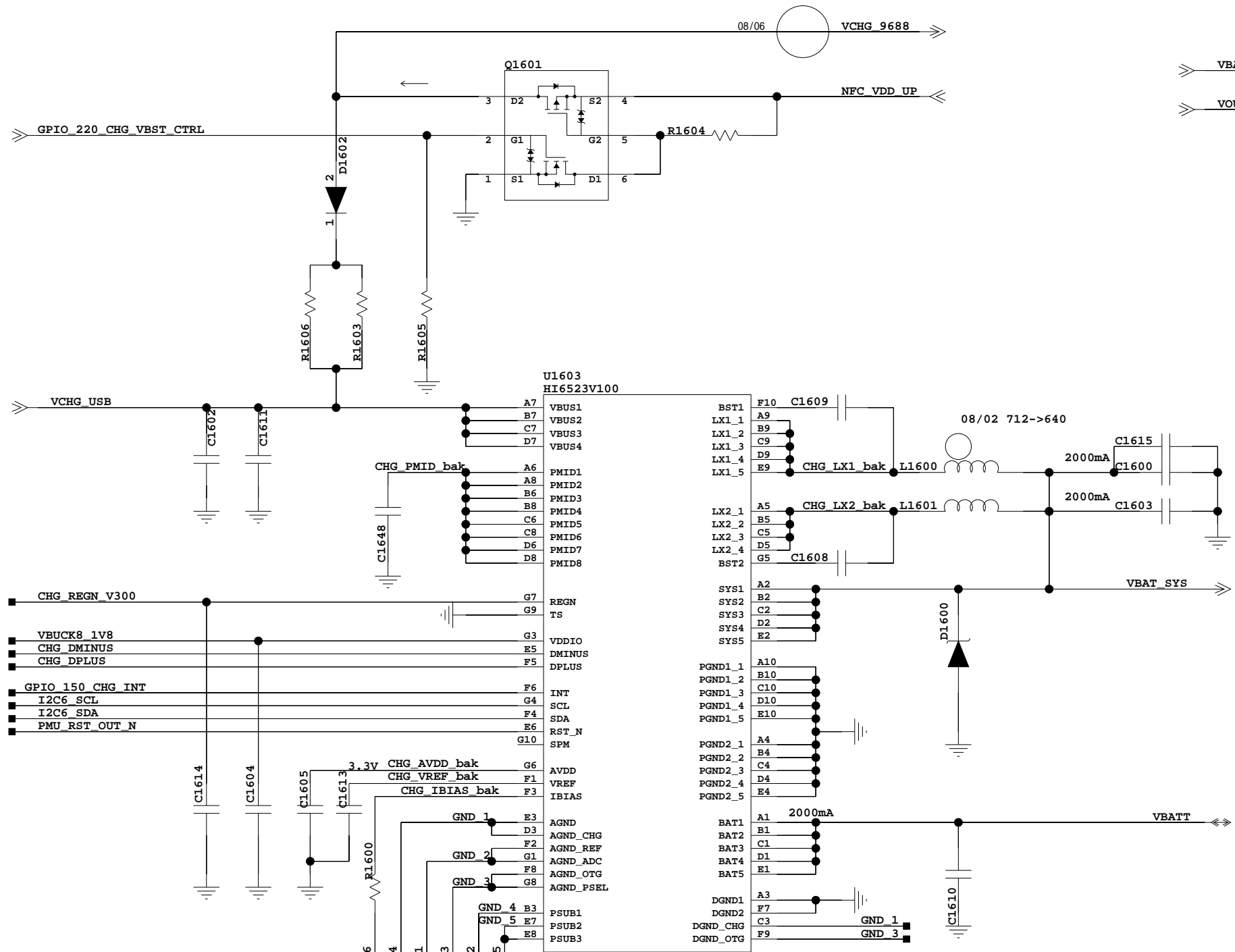
Battery ID

Battery Temperature

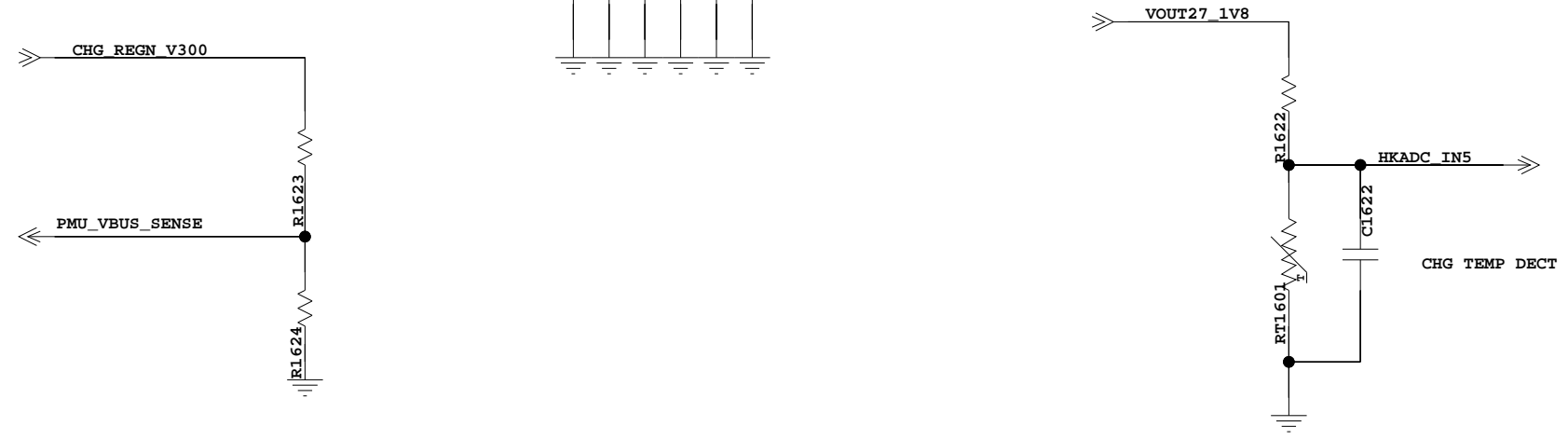
The type and specification of the components refer to the BOM

				NA	2017/05/05
				ECA NO	DATE
DESIGNED	lixuan 00383474	HL1BKLM			
REVIEWED	liuwencheng 00337443				
		VER	PART_NUMBER	SHEET 15 of 79	
		A		HUAWEI TECH CO.,LTD.	

16. Charge Management



I2C address=1101011(0x6B)

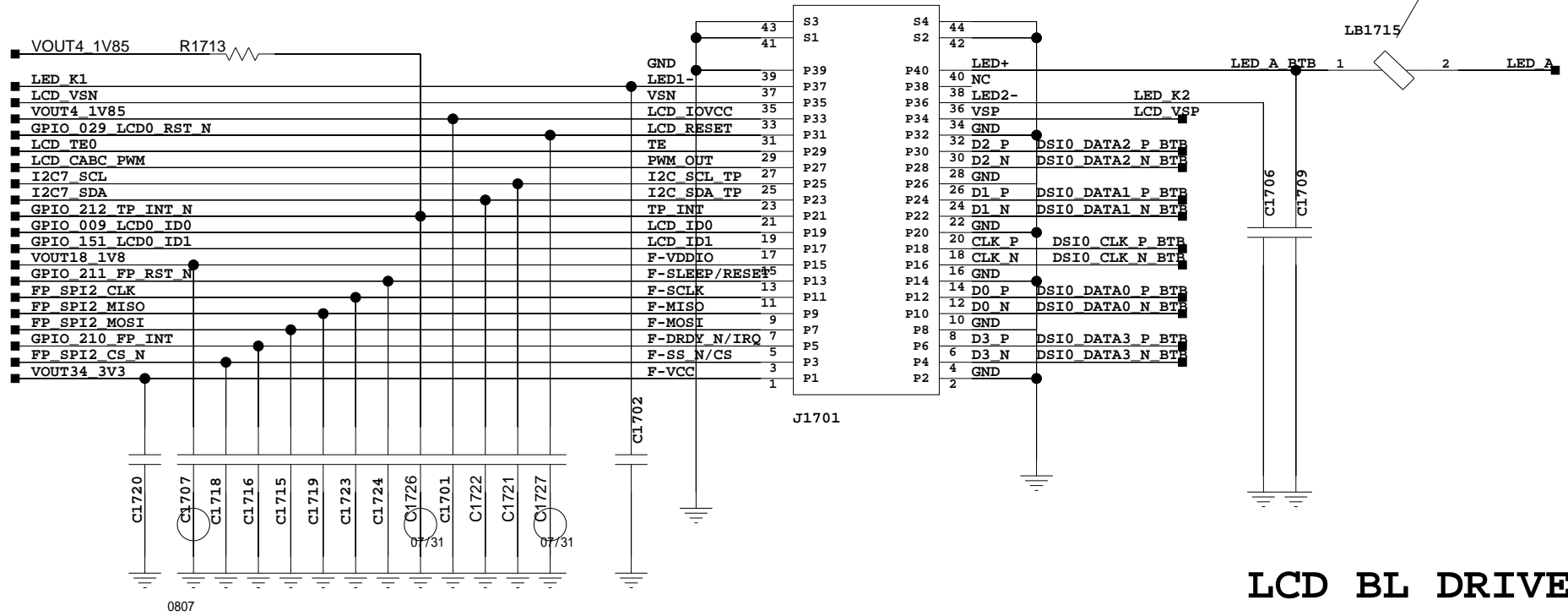


The type and specification of the components refer to the BOM

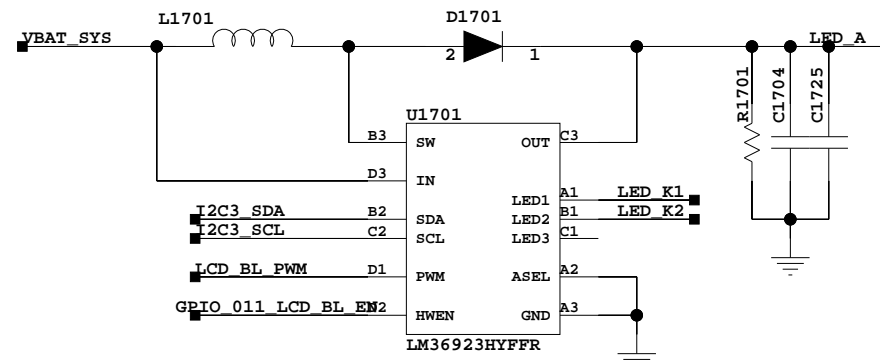
DESIGNED	lixuan 00383474	HL1BKLM	VER	PART_NUMBER	SHEET 16 of 19
REVIEWED	liuwencheng 00337443				
					09-10-2017_19:57
					NA
					2017/05/05
					ECA NO
					DATE
HUAWEI TECH CO.,LTD.					

17. LCD and TP INTERFACE

イナコ廻技 0070019」ヤハラエホMハケモテ0ナキ 07090800



LCD BL DRIVER

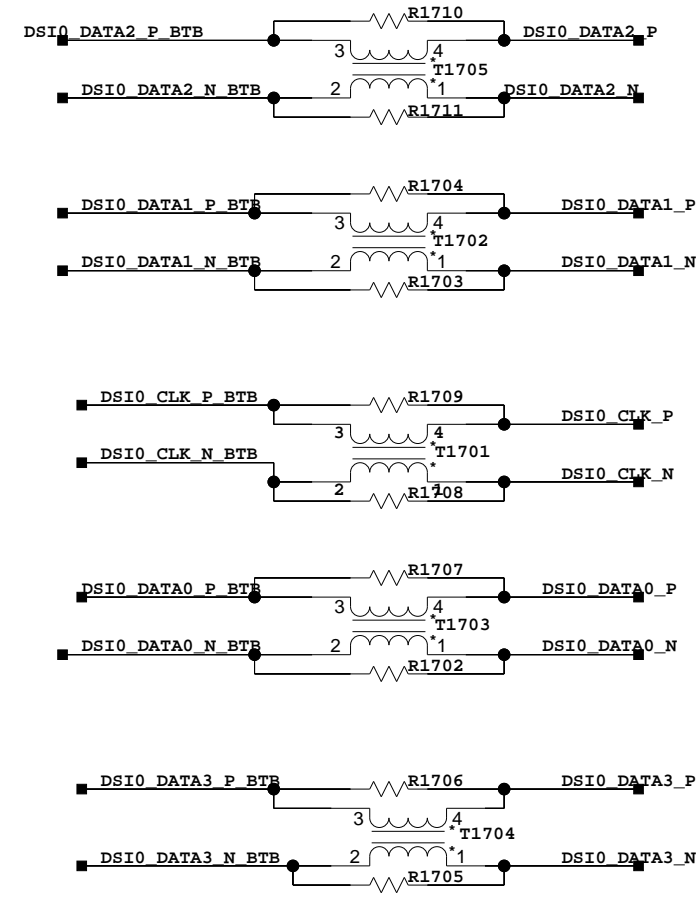
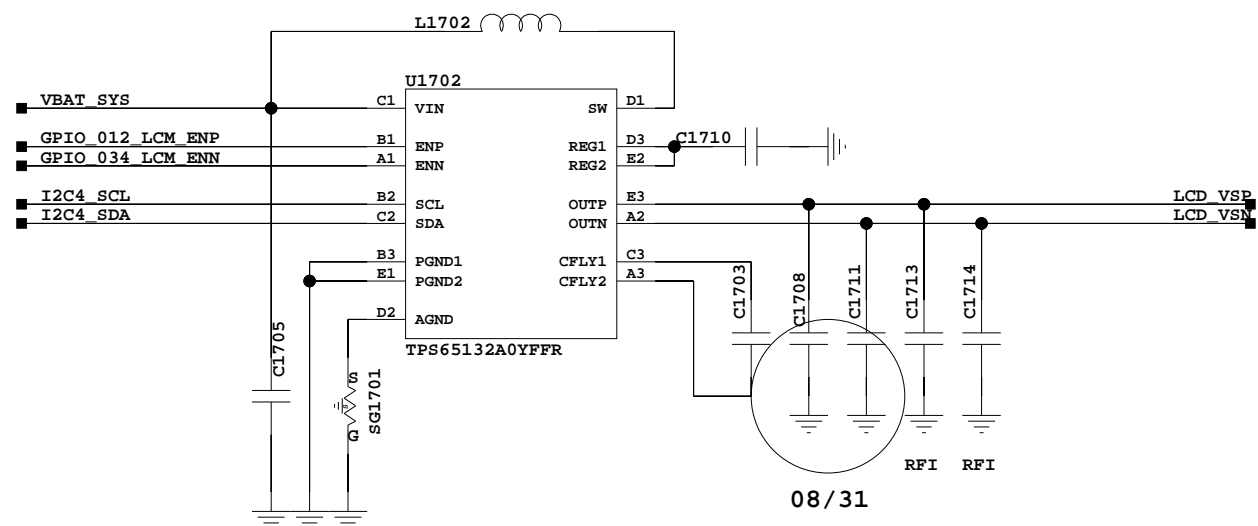


CAP tolerance above 50V

LCD POS/NEG Voltage Driver

I2C address=0111110(0x3E)

I2C address=0110110(0x36) for TI and MPS

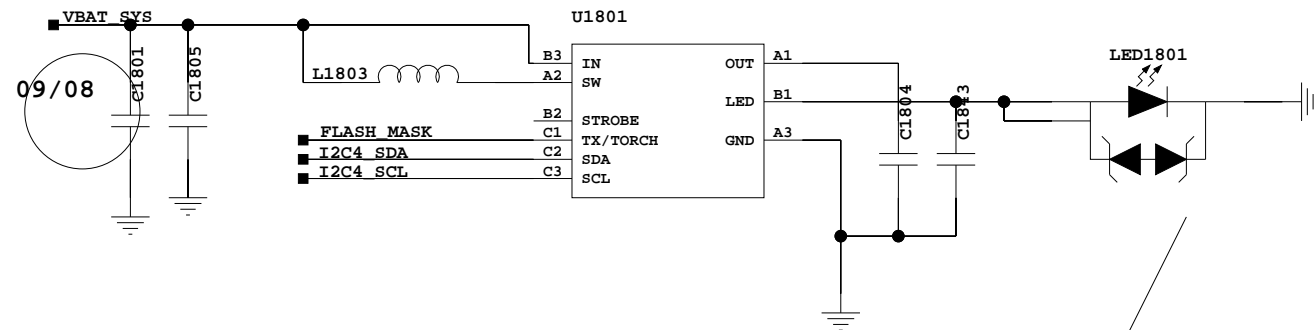


The type and specification of the components refer to the BOM

				NA	2017/05/05
				ECA NO	DATE
DESIGNED	lixuan 00383474	HL1BKLM			
REVIEWED	liuwencheng 00337443				
		VER	PART_NUMBER	SHEET 17 LCD INTERFACE	
		A		HUAWEI TECH CO.,LTD.	

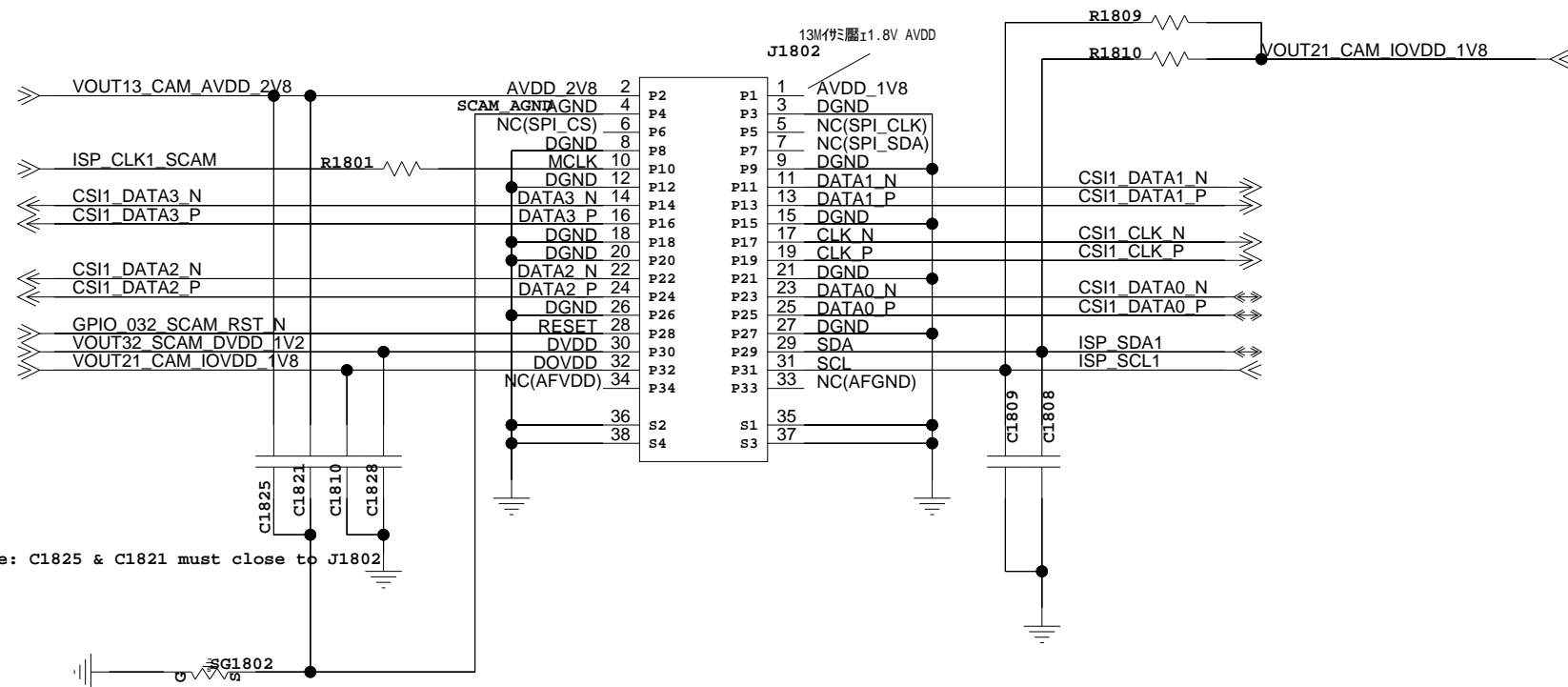
18. Flash/front Camera

Flash LED



I2C address=1100011(0x63) for TI
I2C address=1100111(0x67) for MPS

材料/規格 115020336



CAD note: C1825 & C1821 must close to J1802

The type and specification of the components refer to the BOM

				09-10-2017_19:58
			NA	2017/05/05
			ECA NO	DATE
DESIGNED	lixuan 00383474	HL1BKLM		
REVIEWED	liuwencheng 00337443			
		VER	PART_NUMBER	SHEET 18 Flash/Front Camera
		A		HUAWEI TECH CO.,LTD.

19. M1/M2

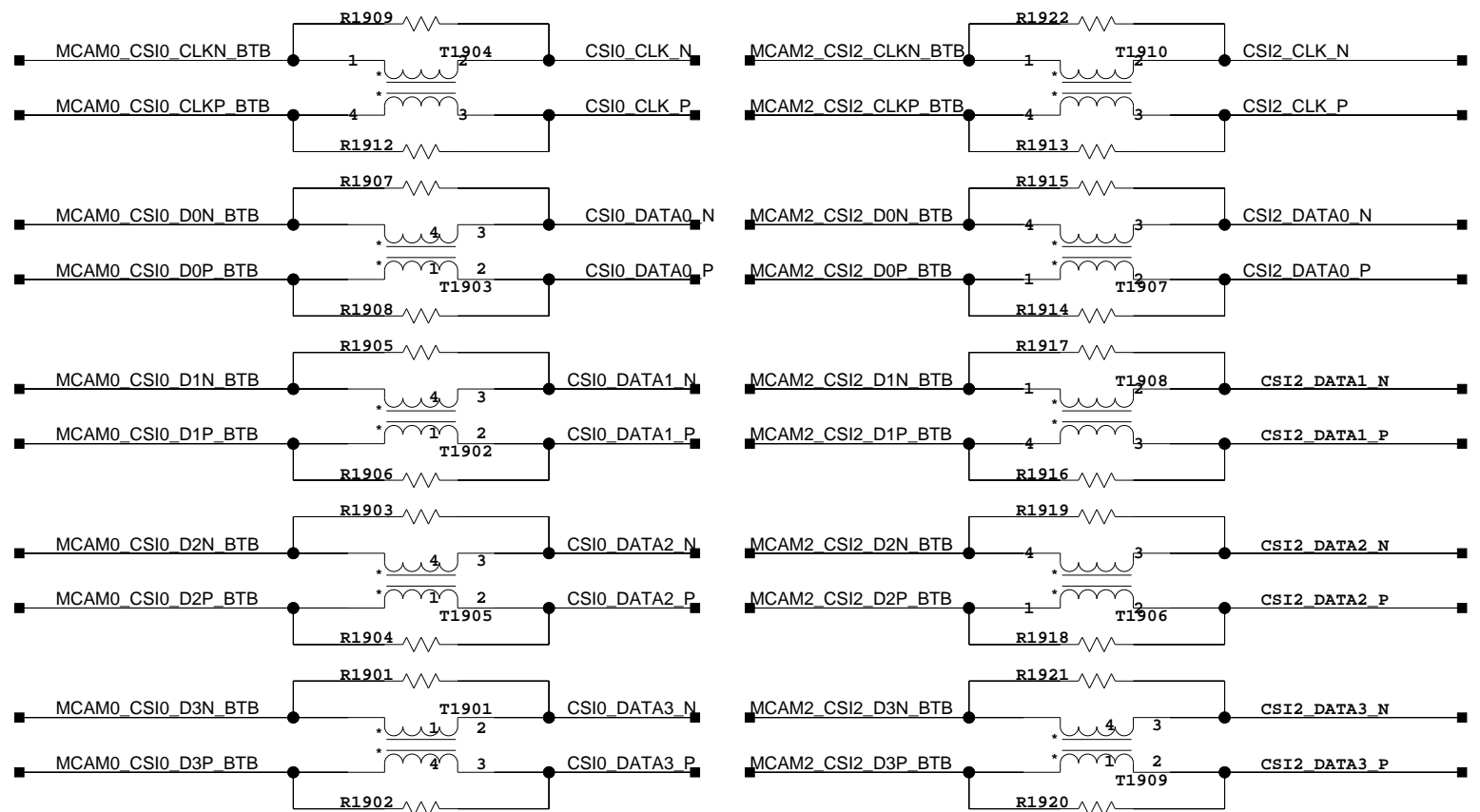
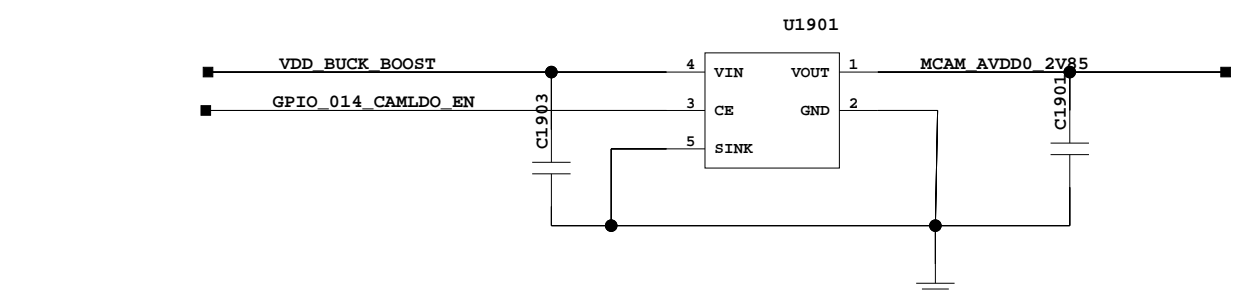
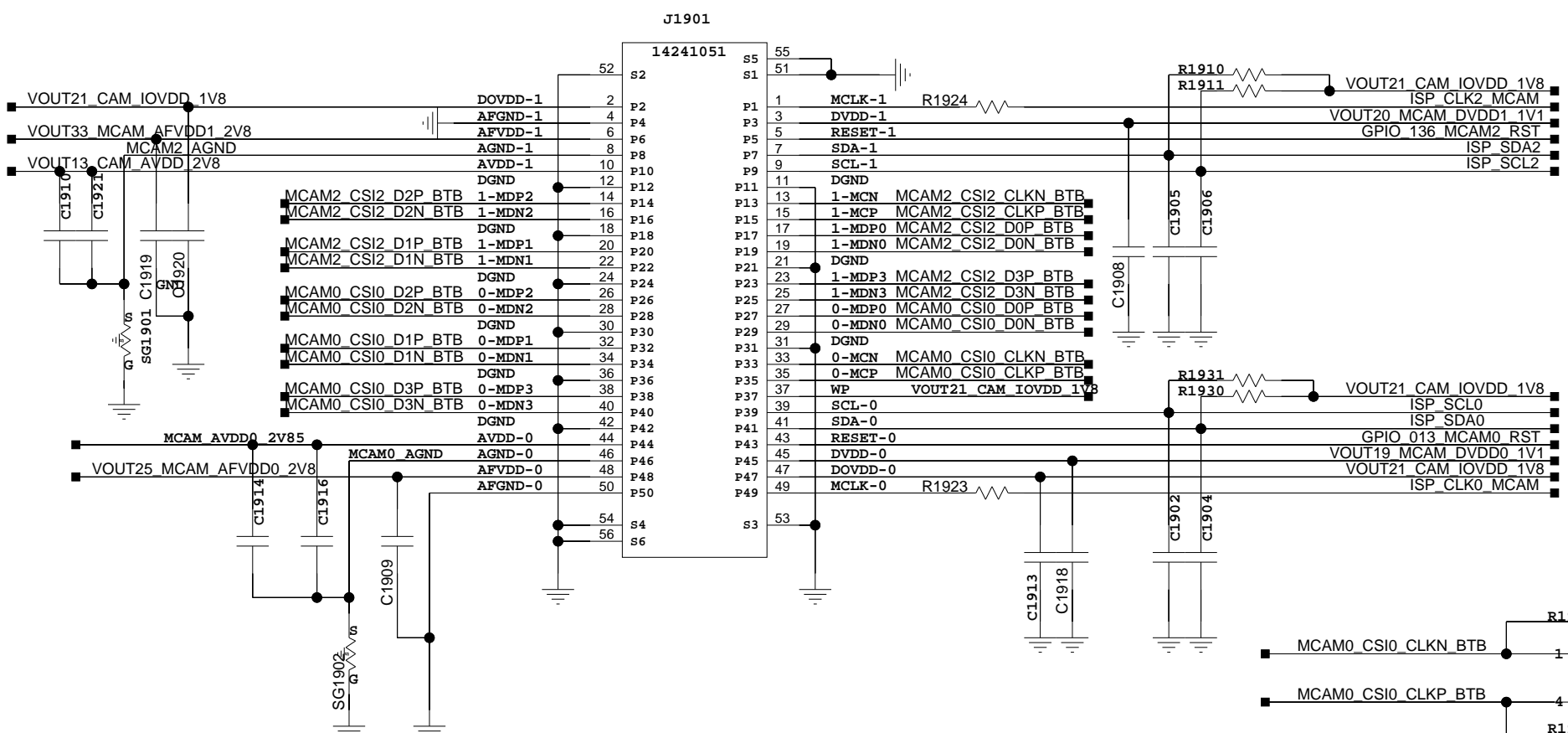
^ ルーム

A

B

C

D

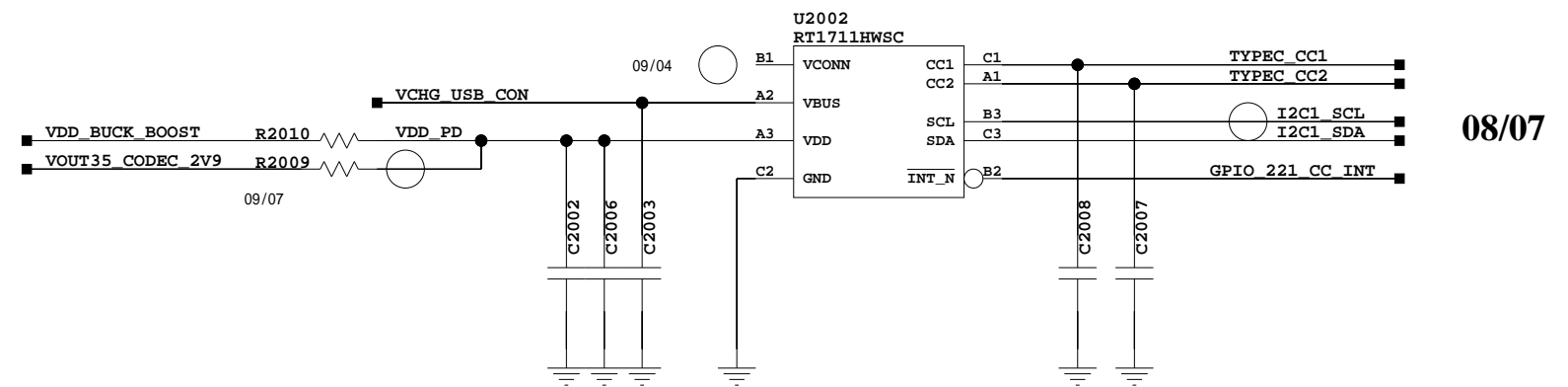
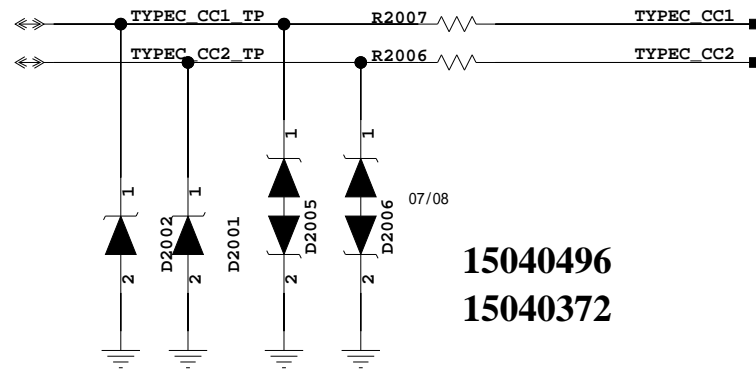
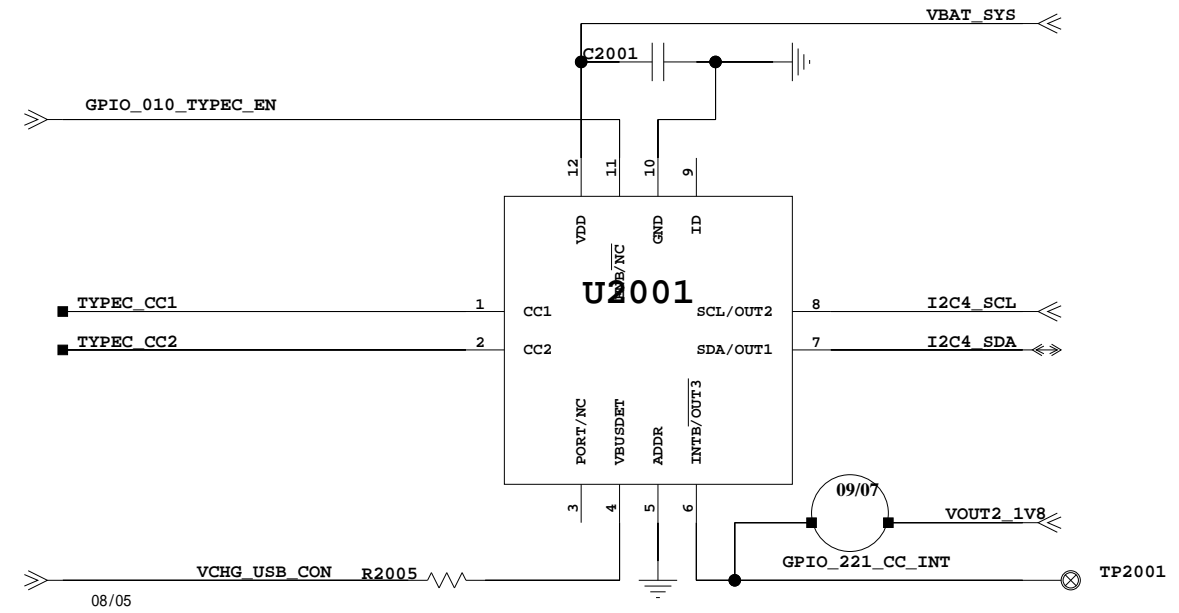
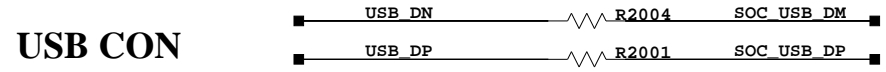
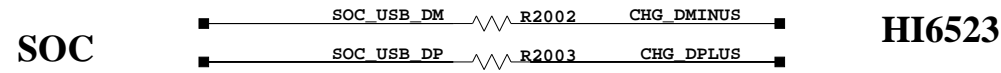


The type and specification of the components refer to the BOM

				NA	2017/05/05
				ECA NO	DATE
DESIGNED	lixuan 00383474	HL1BKLM			
REVIEWED	liuwencheng 00337443				
		VER	PART_NUMBER	SHEET 19 of 35	
		A		HUAWEI TECH CO.,LTD.	

20. USB

30707

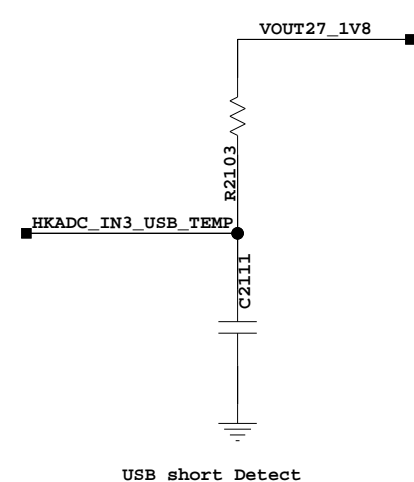
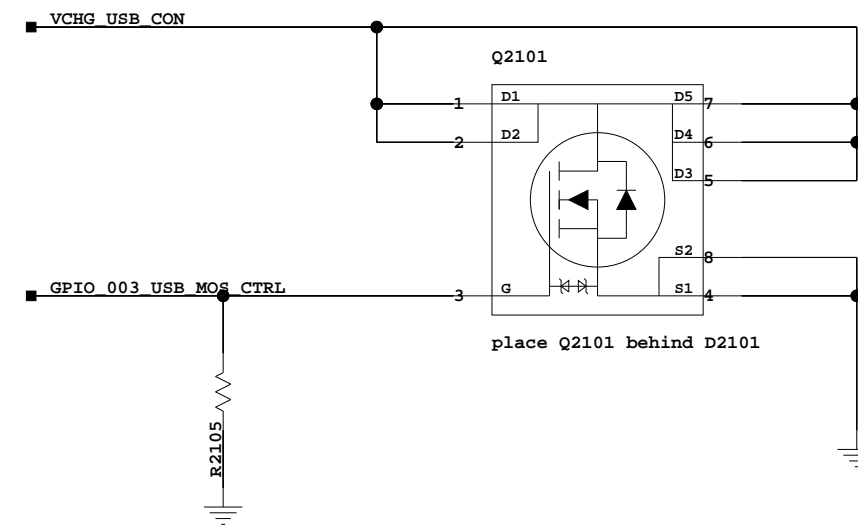
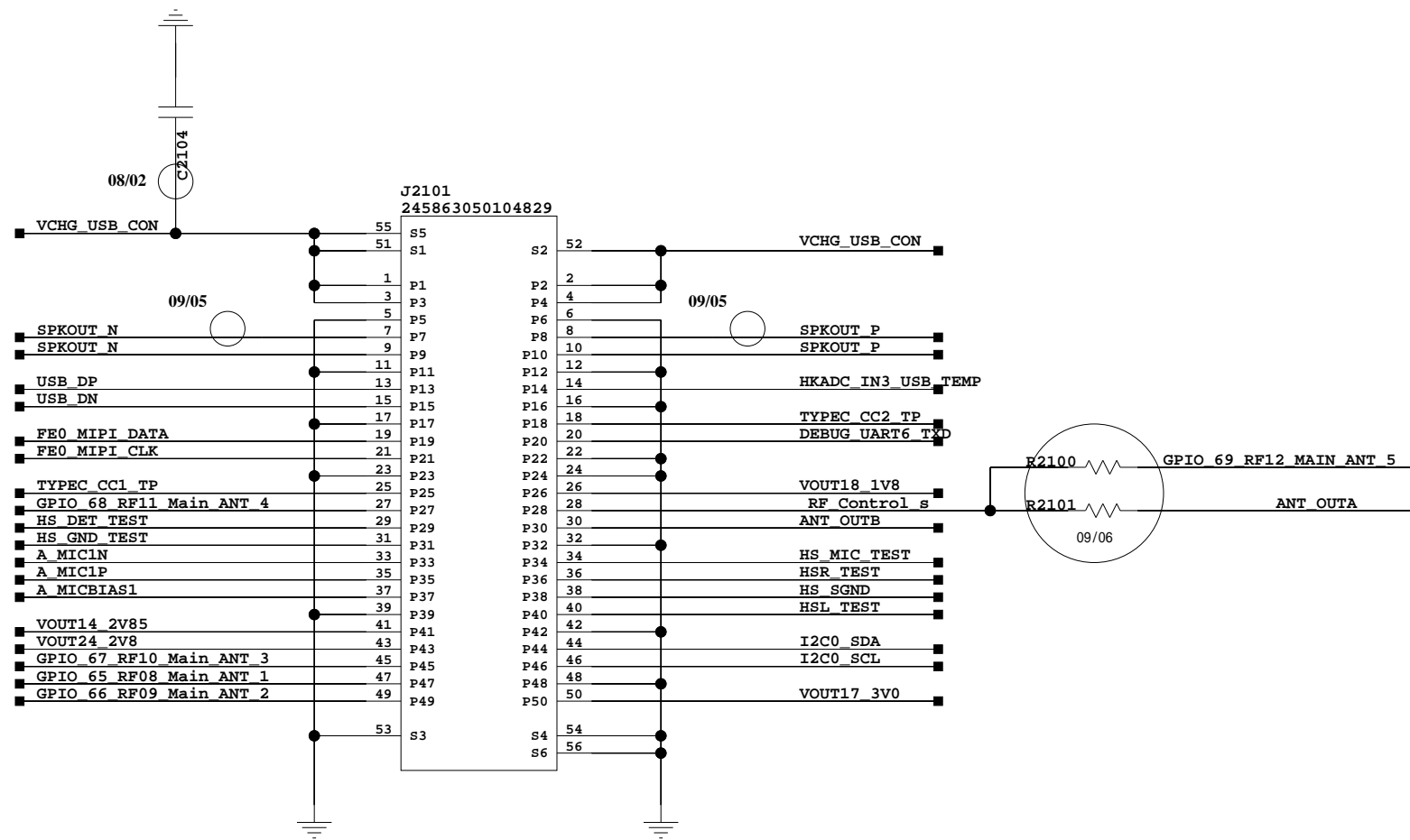


The type and specification of the components refer to the BOM

				NA	2017/05/05
				ECA NO	DATE
DESIGNED	lixuan 00383474	HL1BKLM			
REVIEWED	liuwencheng 00337443				
		VER	PART_NUMBER	SHEET 20 USB/Switch	
				HUAWEI TECH CO.,LTD.	

21. Main FPC

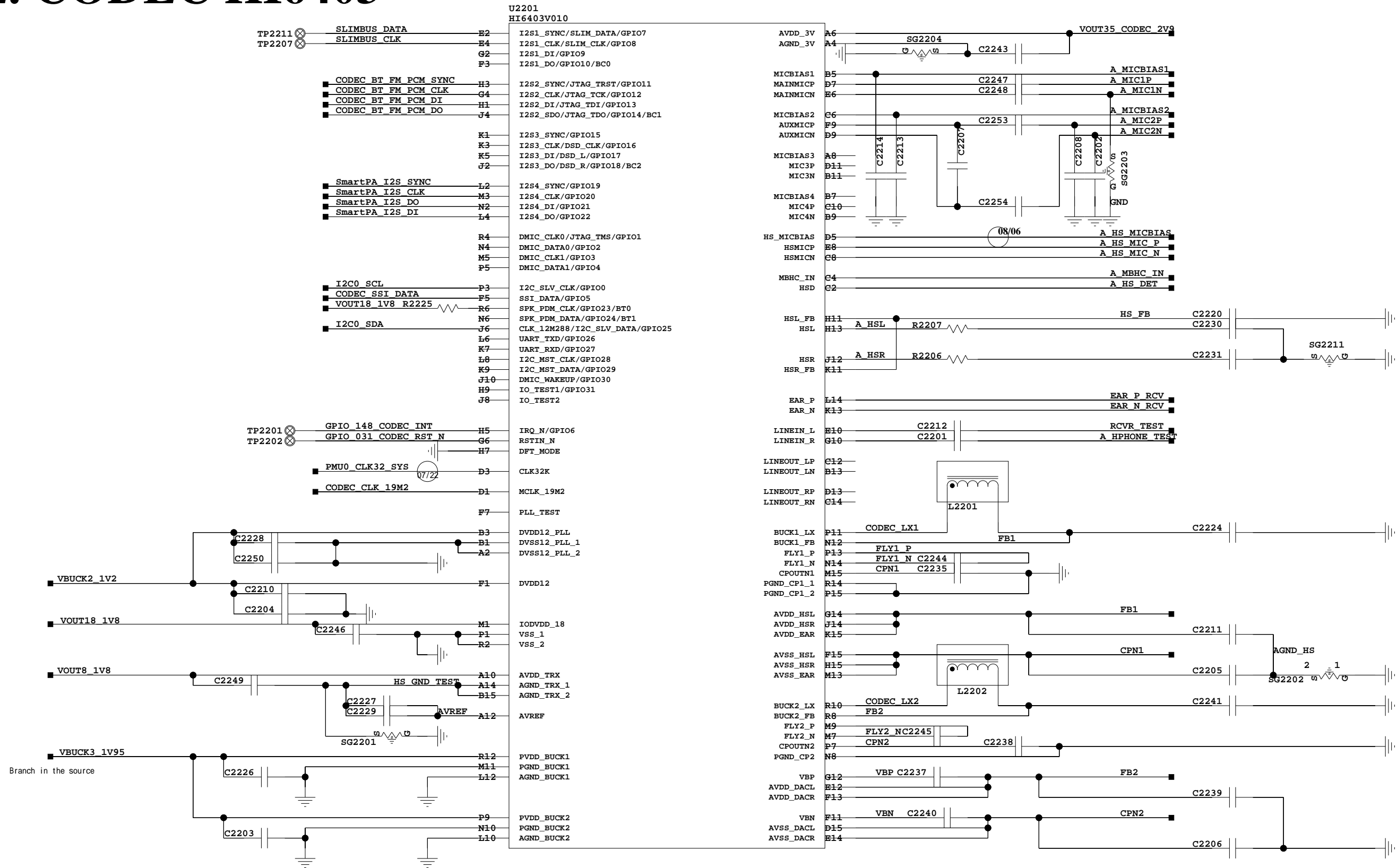
30707A



The type and specification of the components refer to the BOM

				NA	2017/05/05
				ECA NO	DATE
DESIGNED	lixuan 00383474	HL1BKLM			
REVIEWED	liuwencheng 00337443				
		VER	PART_NUMBER	SHEET	21 Main FPC9
		A		HUAWEI TECH CO.,LTD.	

22. CODEC HI6403



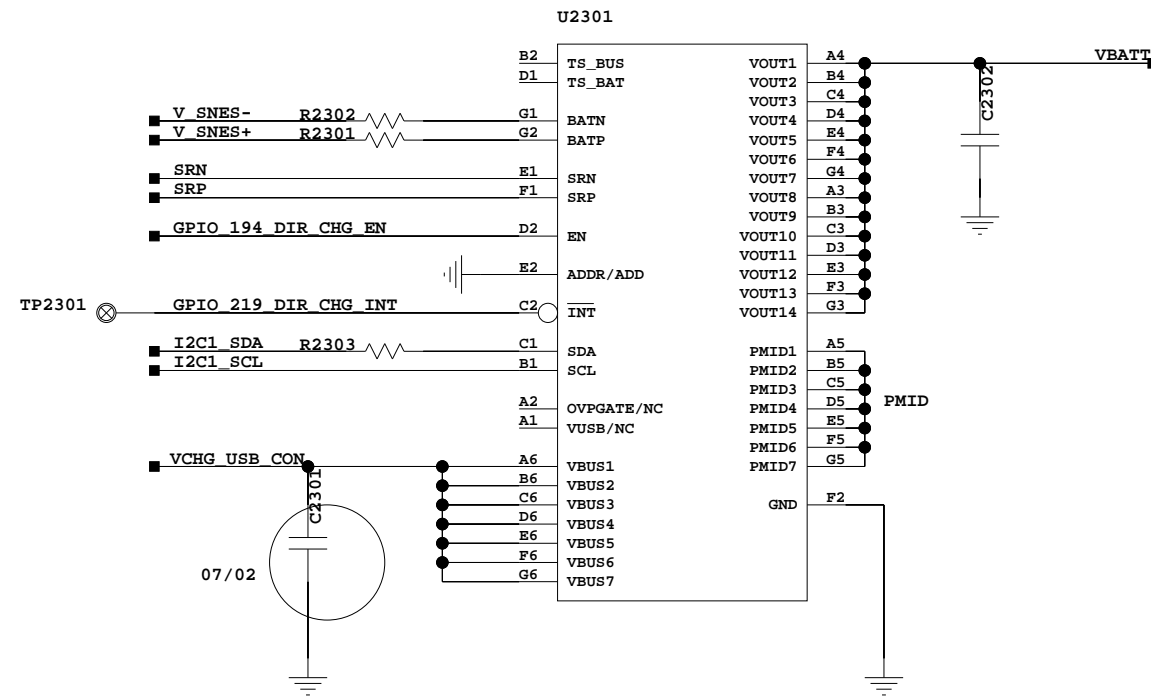
The type and specification of the components refer to the BOM

BootMode0	BootMode1	Function(BootROM Start)
1	1	SPI Start
1	0	SSI Start
0	1	I2C Start
0	0	SLIMBUS Start

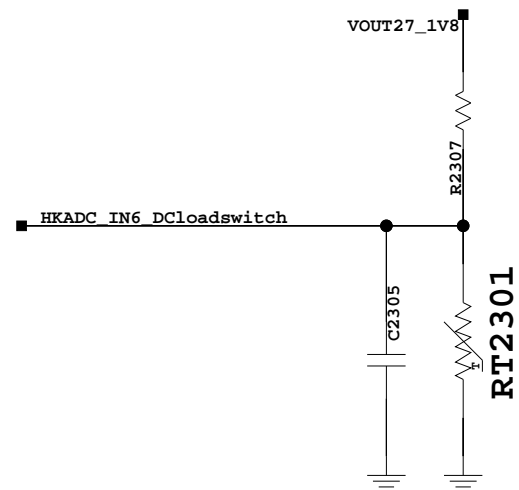
DESIGNED	lixuan 00383474	HL1BKLM	VER	PART_NUMBER	SHEET 22	CODEC HI6403
REVIEWED	liuwencheng 00337443		C		HUAWEI TECH CO.,LTD.	

23. Direct Charger LoadSwitch

I2C Address=1100111(0x67)



Direct charger Temperature DET

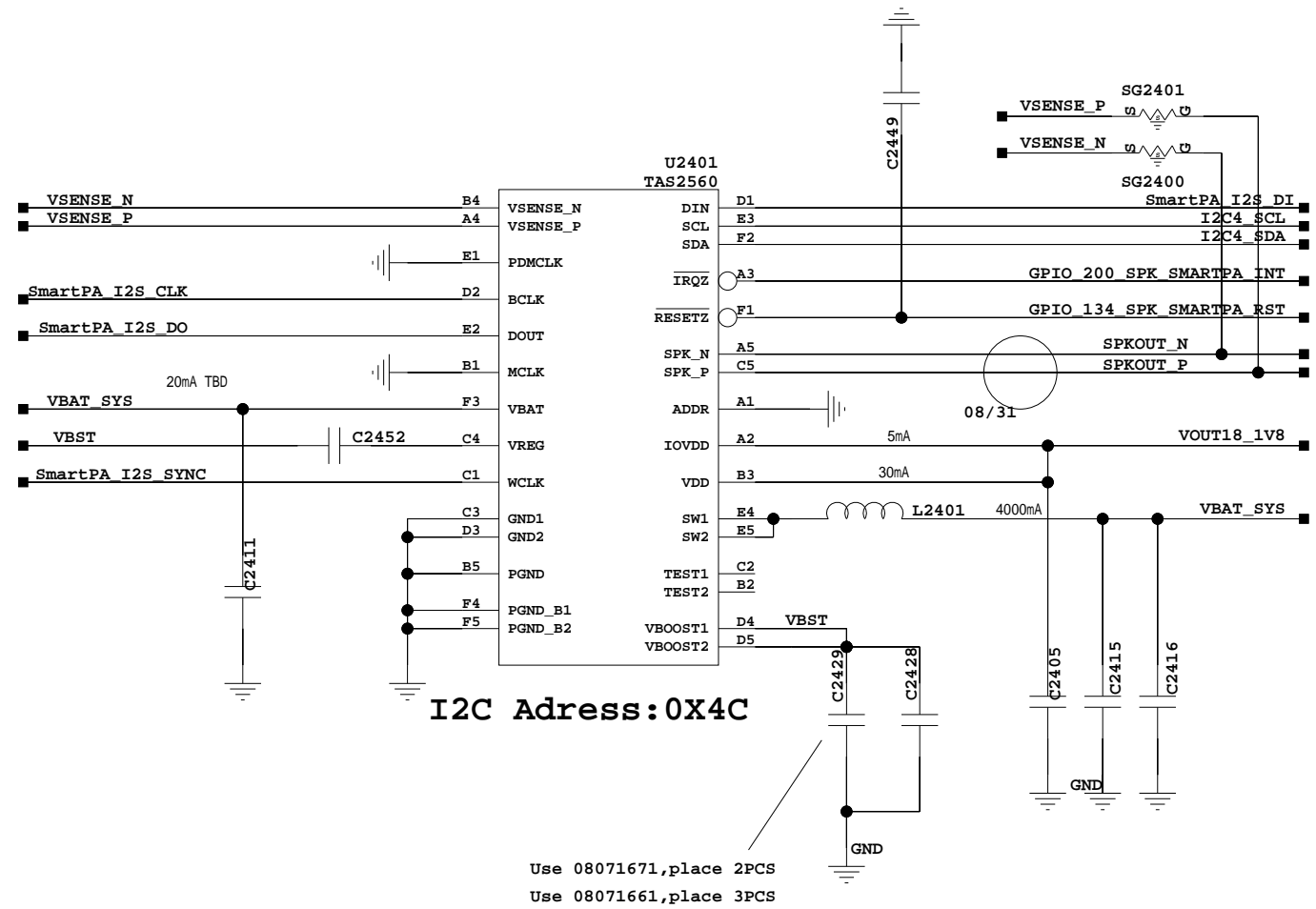


The type and specification of the components refer to the BOM

				09-10-2017_19:59
			NA	2017/05/05
			ECA NO	DATE
DESIGNED	lixuan 00383474	HL1BKLM		
REVIEWED	liuwencheng 00337443			
		VER	PART_NUMBER	SHEET 23 of 79
		A		HUAWEI TECH CO.,LTD.

24. SPK SMART PA

1/F

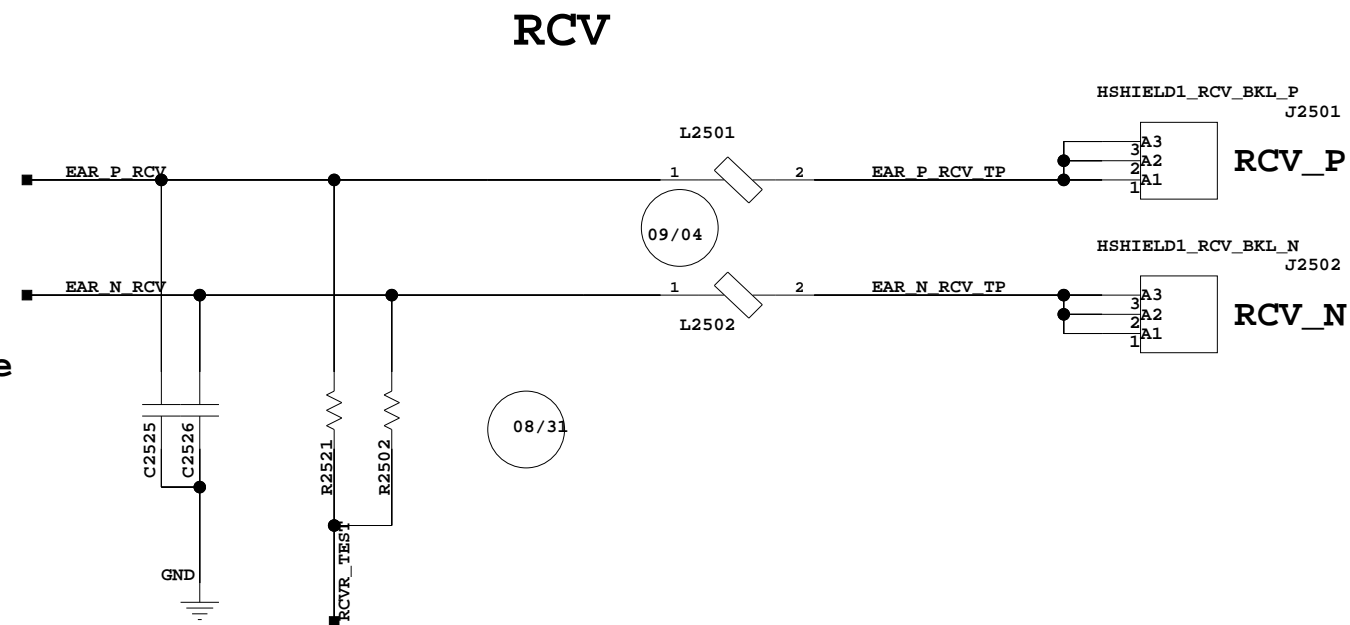
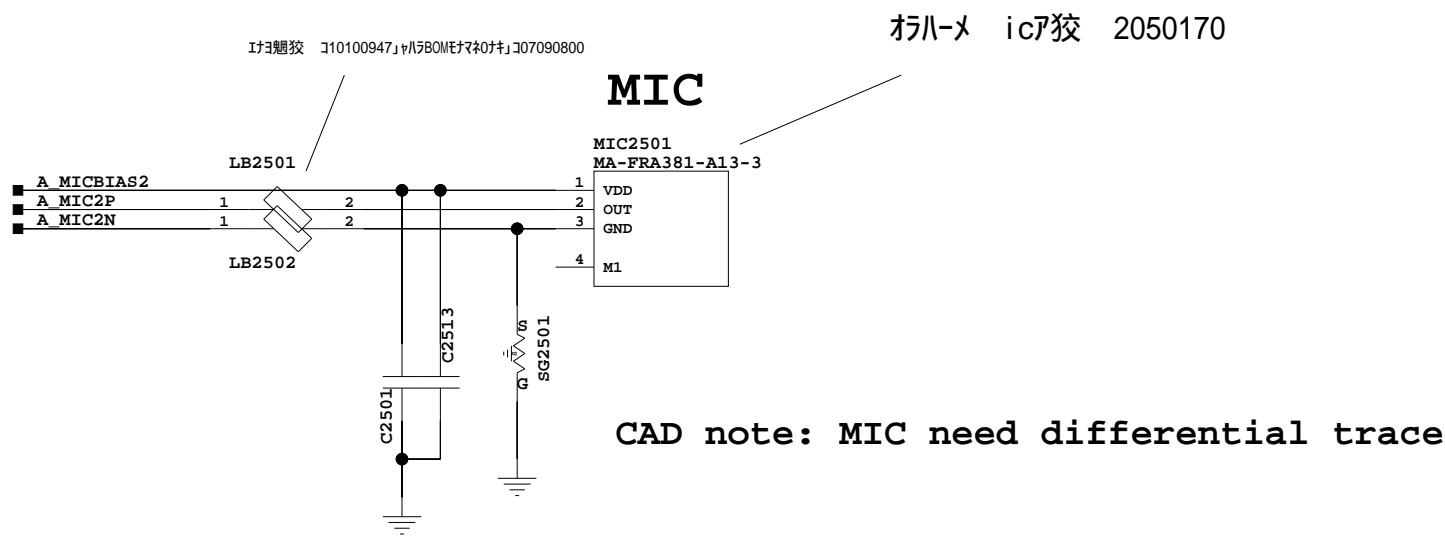


The type and specification of the components refer to the BOM

				NA	2017/05/05
				ECA NO	DATE
DESIGNED	lixuan 00383474	HL1BKLM			
REVIEWED	liuwencheng 00337443				
		VER	PART_NUMBER	SHEET 24 SMART PA	
		A		HUAWEI TECH CO.,LTD.	

25. MIC/REC/HAC

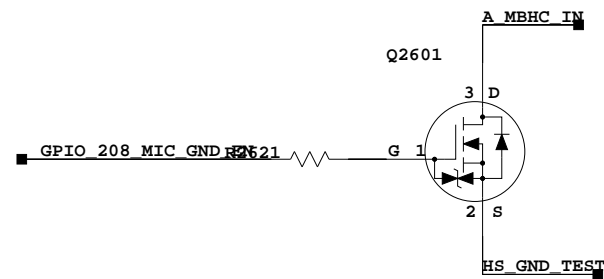
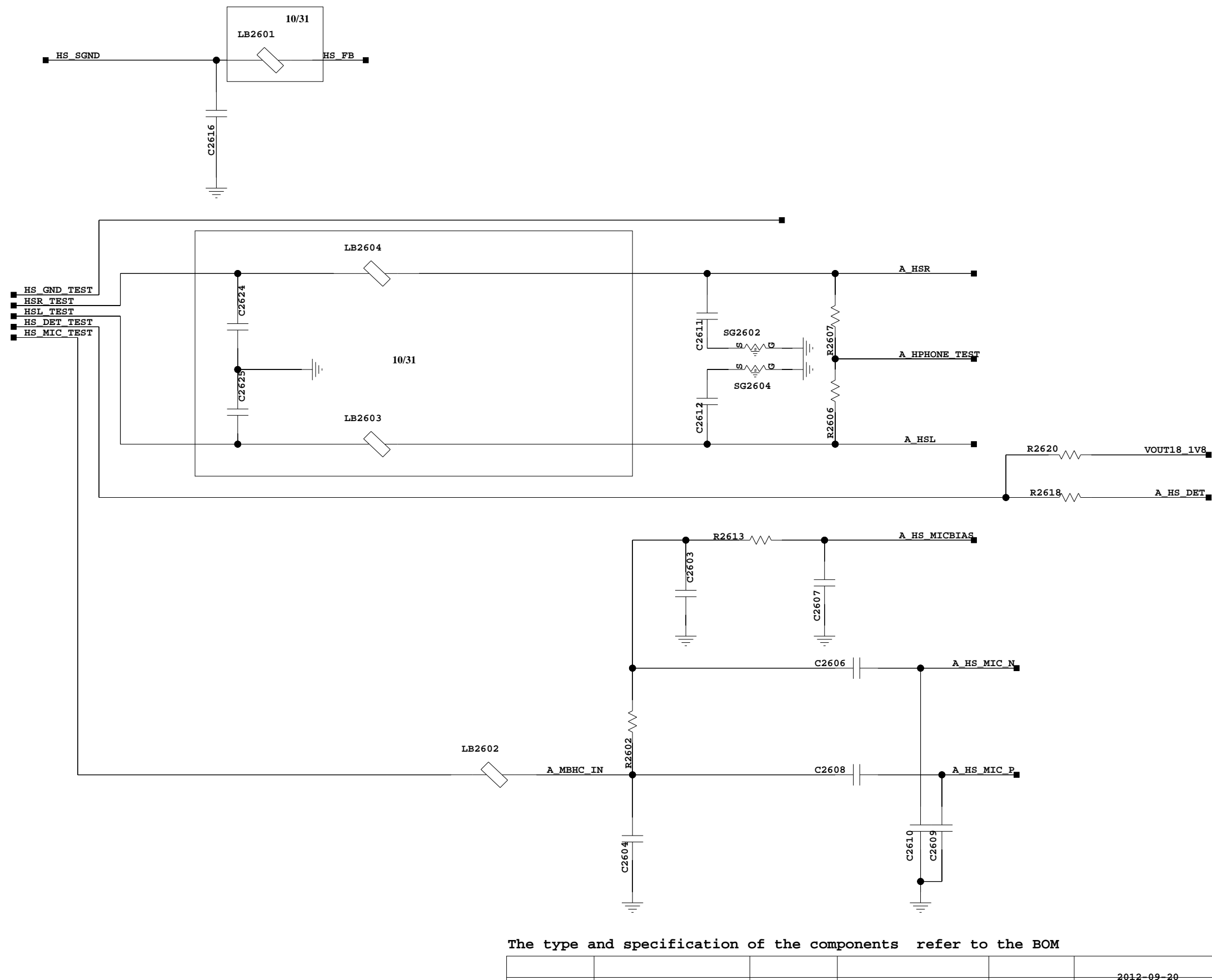
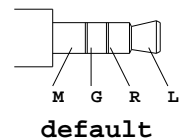
1/F



The type and specification of the components refer to the BOM

				09-10-2017_20:00
			NA	2017/05/05
			ECA NO	DATE
DESIGNED	lixuan 00383474	HL1BKLM		
REVIEWED	liuwencheng 00337443			
		VER	PART_NUMBER	SHEET 25 MDG/REC/HAC
				HUAWEI TECH CO.,LTD.

26. Headphone

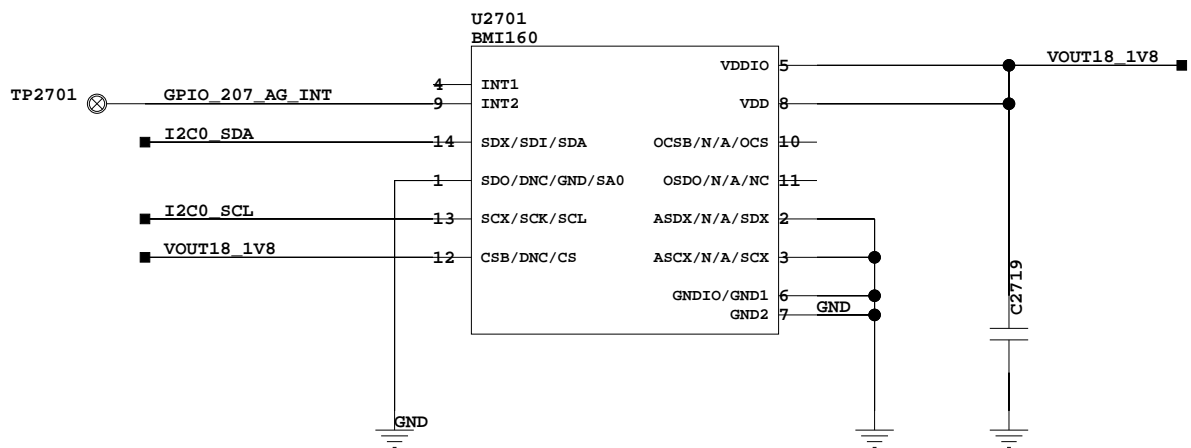


The type and specification of the components refer to the BOM

				NA	2012-09-20
				ECA NO	2017/05/05
				DATE	
DESIGNED	lixuan 00383474	HL1BKLM			
REVIEWED	liuwencheng 00337443				
		VER	PART_NUMBER	SHEET	26 Headphone
		B		HUAWEI TECH CO.,LTD.	

27. X-Sensor

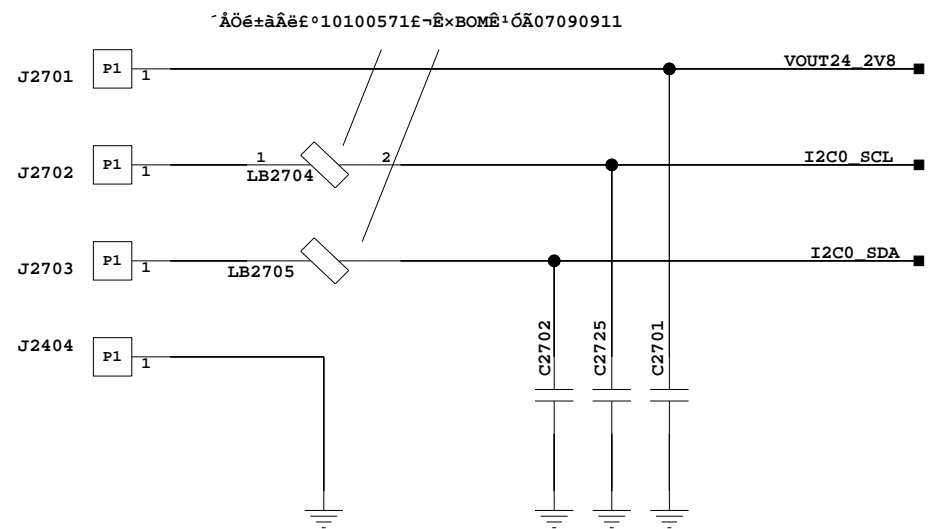
Accelerometer and Gyroscope 6-AXIS SENSOR



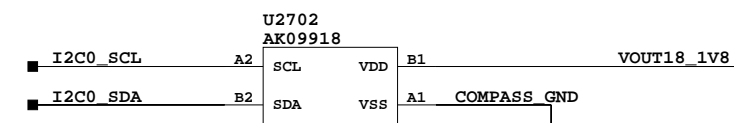
SDO=1 ADDRESS=0X6B(ST)/0X69(BOSCH)
SDO=0 ADDRESS=0X6A(ST)/0X68(BOSCH)

PROXIMITY&RGB AMBIENT

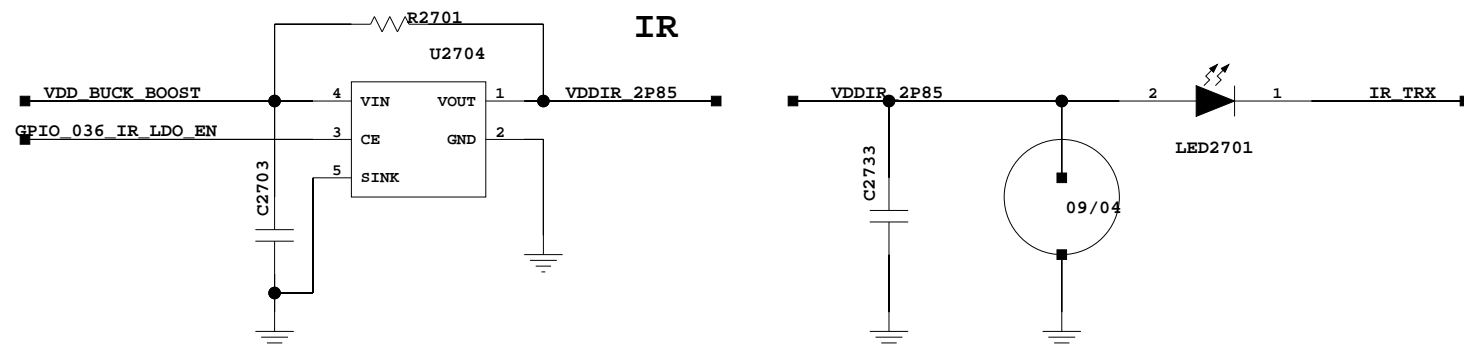
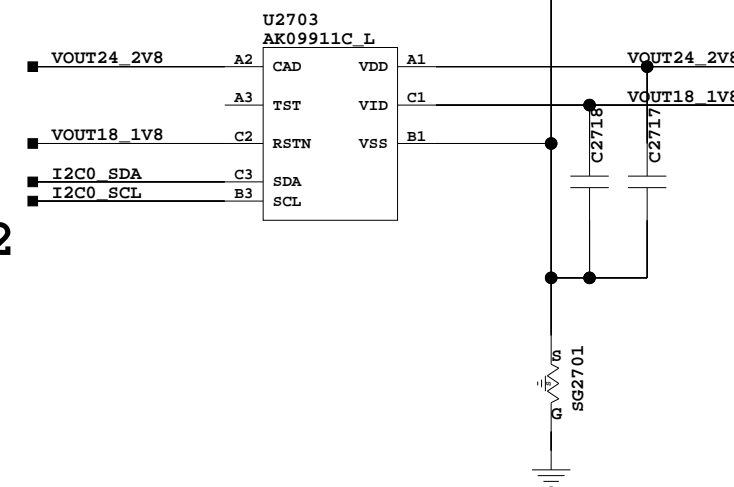
PROX ADDRESS=0X1E AMB ADDRESS=0X38



Compass AK09918



Compass AK09911 YAS537-PZE2

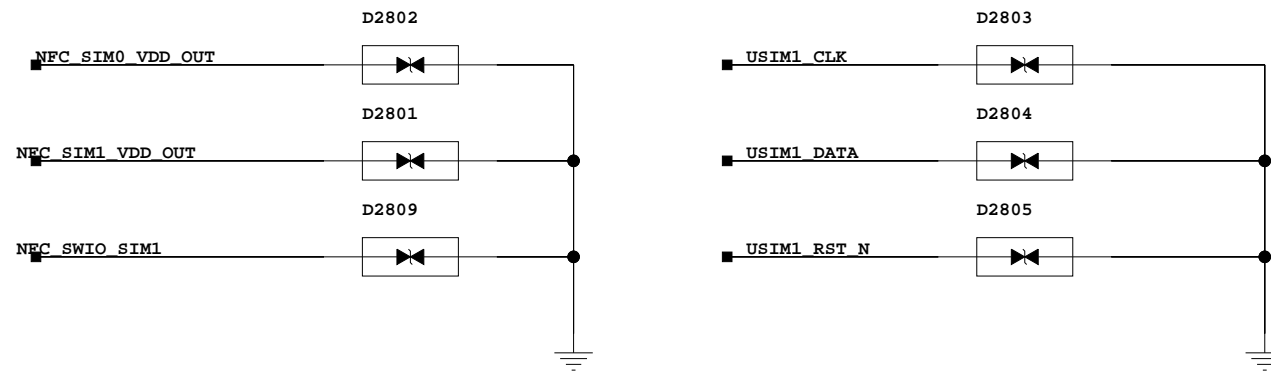
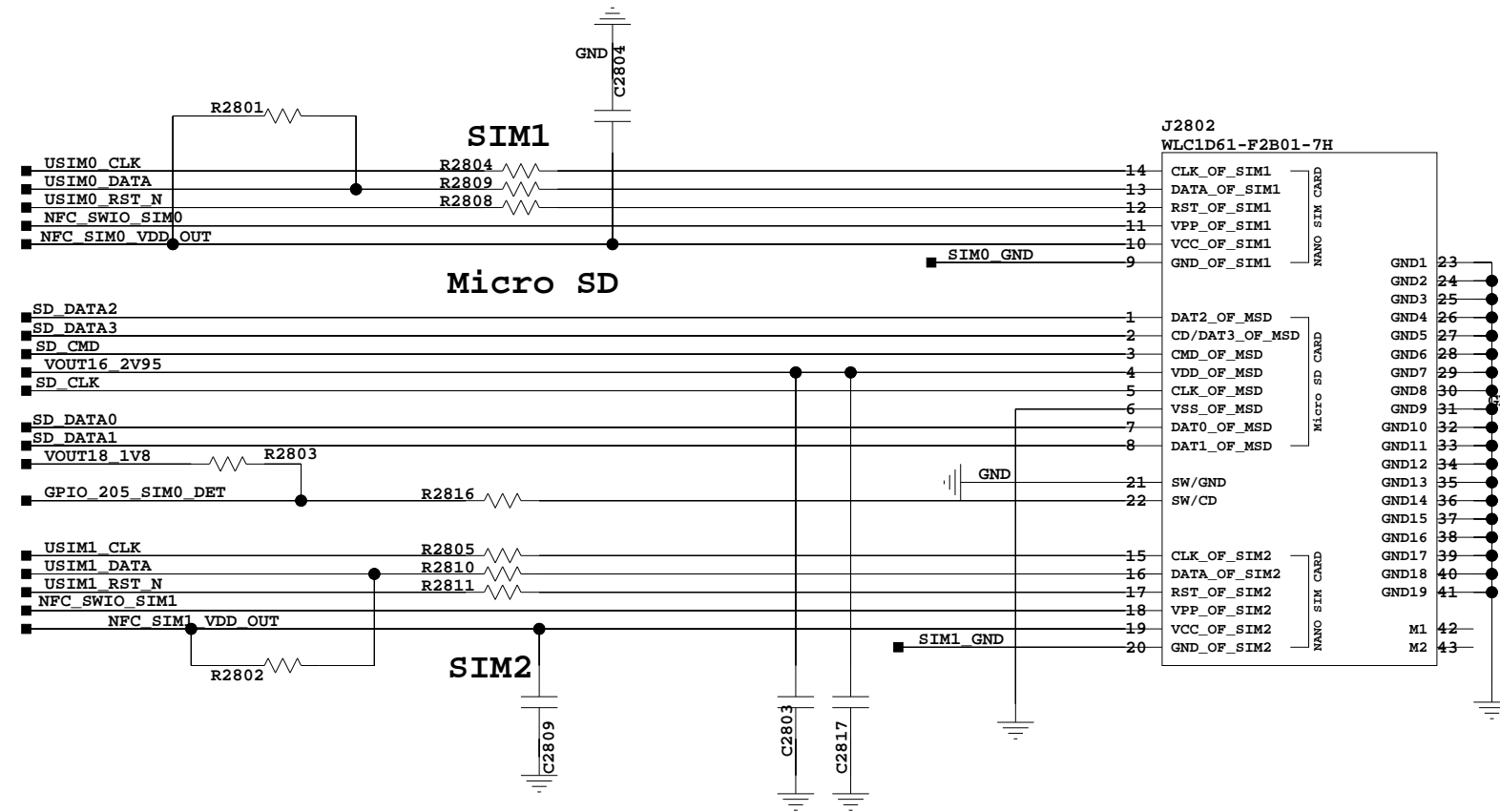


The type and specification of the components refer to the BOM

				NA	2017/05/05
				ECA NO	DATE
DESIGNED	lixuan 00383474	HL1BKLM			
REVIEWED	liuwencheng 00337443				
		VER	PART_NUMBER	SHEET	27 Xsens09
		A		HUAWEI TECH CO.,LTD.	

28.SIM/uSD Card

非「不」



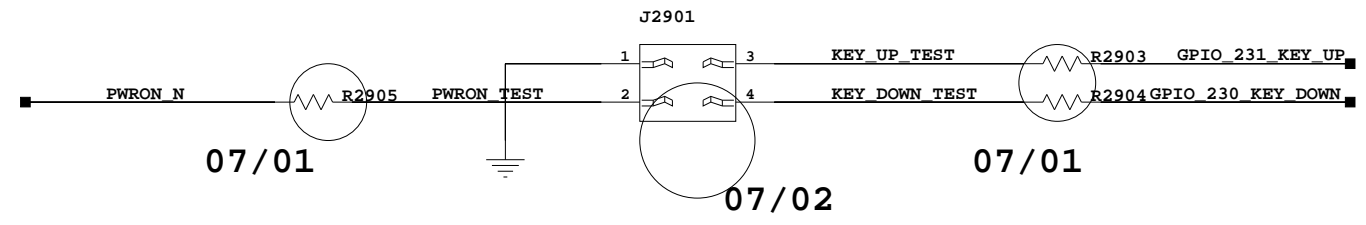
	SIM1_VCC	SE_VCC	VOUT12_2V95
GPIO_202	H		○
	L	○	

The type and specification of the components refer to the BOM

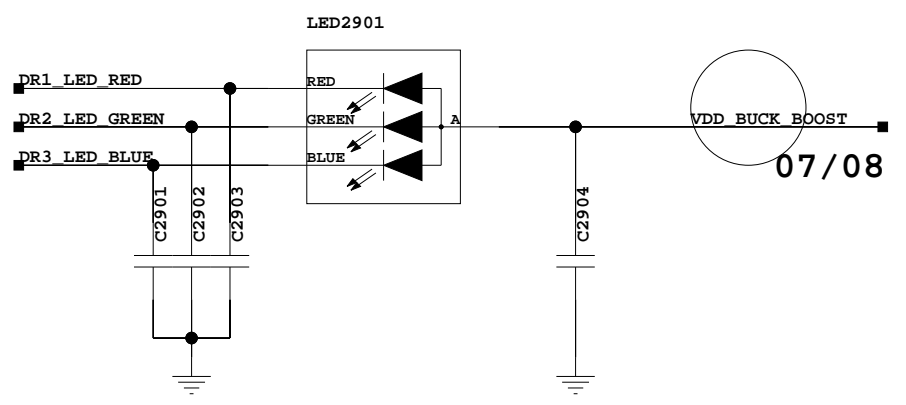
				NA	2017/05/05
				ECA NO	DATE
DESIGNED	lixuan 00383474	HL1BKLM			
REVIEWED	liuwencheng 00337443				
		VER	PART_NUMBER	SHEET 28 SIM/uSD9Card	
		A		HUAWAI TECH CO.,LTD.	

29. LED/FP/Key

KEY SPRING



RGB LED



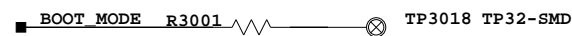
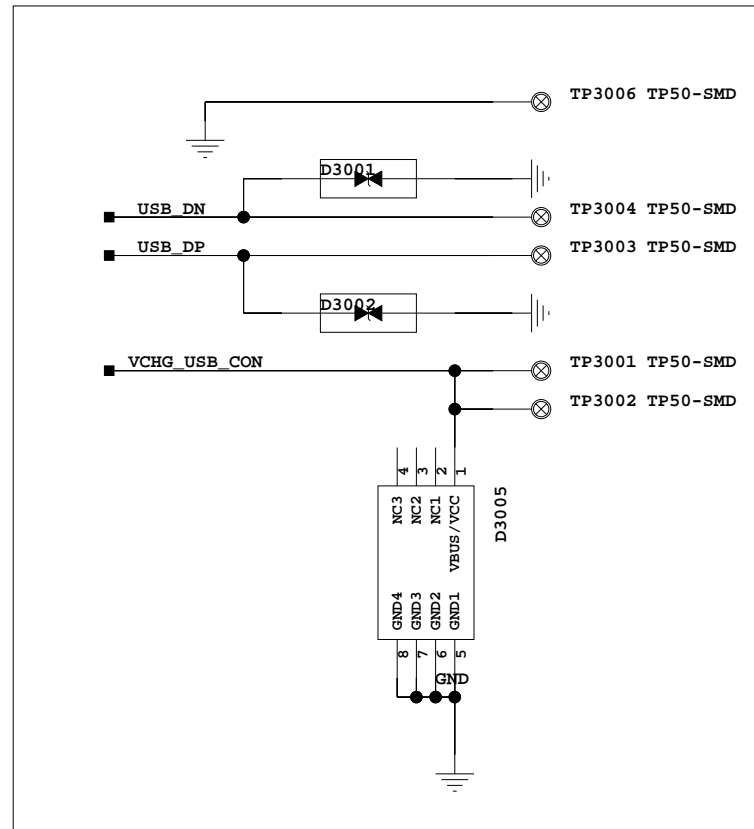
The type and specification of the components refer to the BOM

					09-10-2017_20:01
				NA	2017/05/05
				ECA NO	DATE
DESIGNED	lixuan 00383474	HL1BKLM			
REVIEWED	liuwencheng 00337443				
		VER	PART_NUMBER	SHEET 29 LED/KeyFP/IRDA	
				HUAWEI TECH CO.,LTD.	

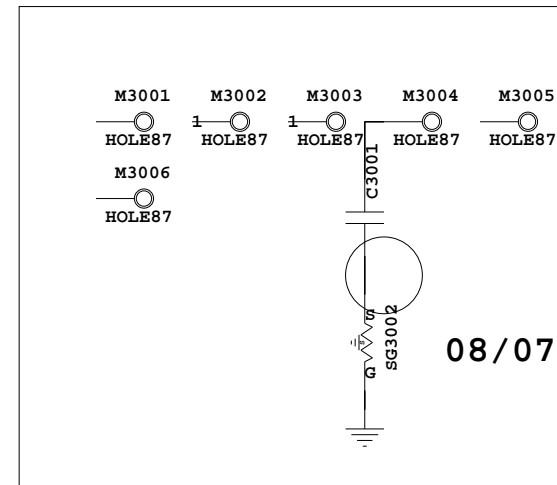
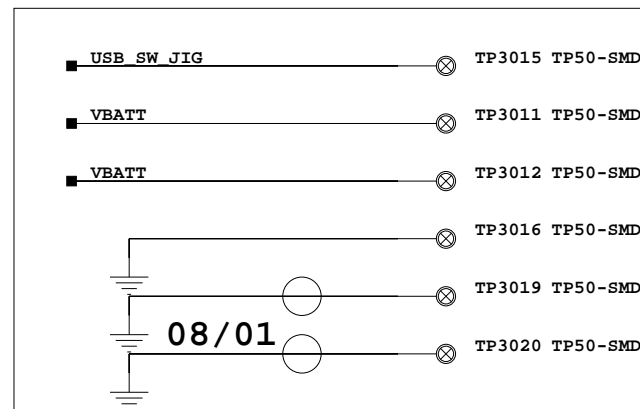
30. Test Points/Shields

VBUS/VBATT/D+/D-/USB_SW_JIG_TEST/:2*TP50

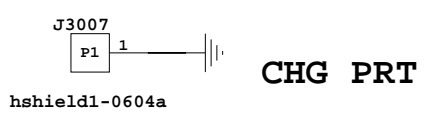
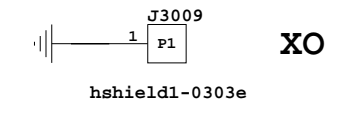
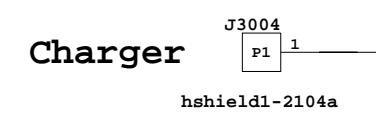
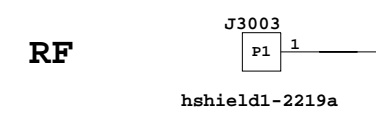
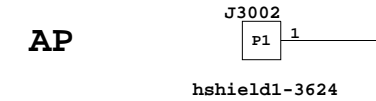
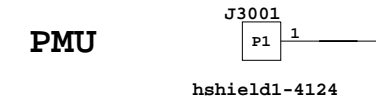
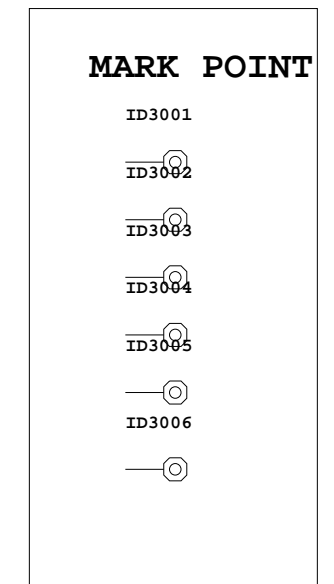
TEST POINT for CT and BT



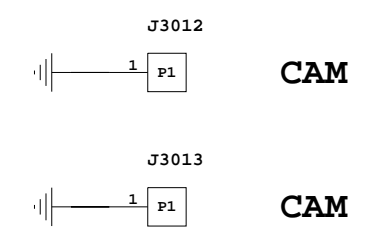
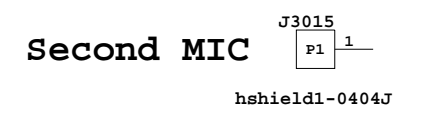
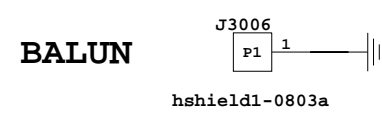
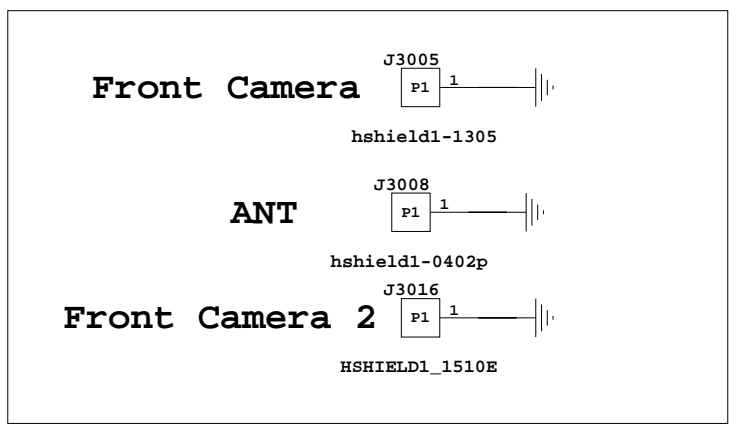
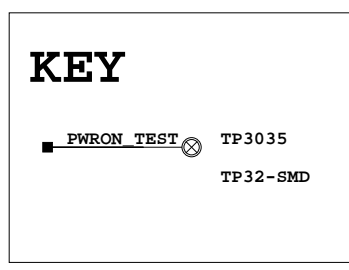
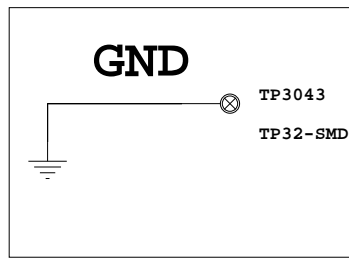
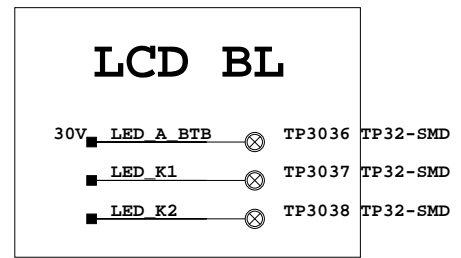
TEST POINT for PT



≠ 「不」



FUNCTION TEST

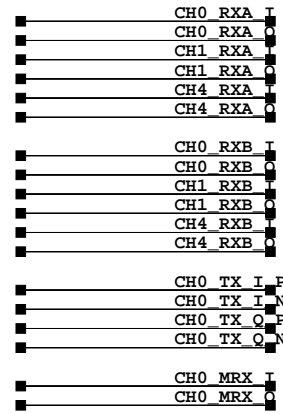


The type and specification of the components refer to the BOM

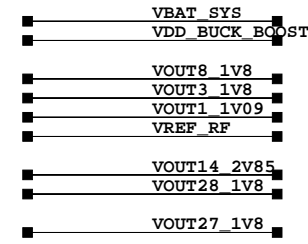
					09-10-2017_20:01
				NA	2017/05/05
				ECA NO	DATE
DESIGNED	lixuan 00383474	HL1BKLM			
REVIEWED	liuwencheng 00337443				
		VER	PART_NUMBER	SHEET 30 Test Points/Shields	
HUAWEI TECH CO.,LTD.					

31.RF Interface

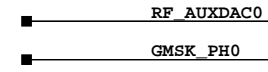
RFIC IQ



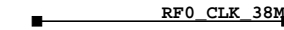
POWER



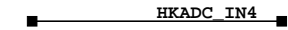
GSM



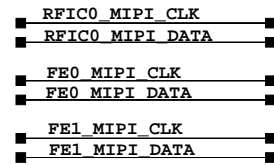
CLK



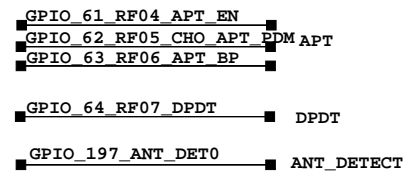
HKADC



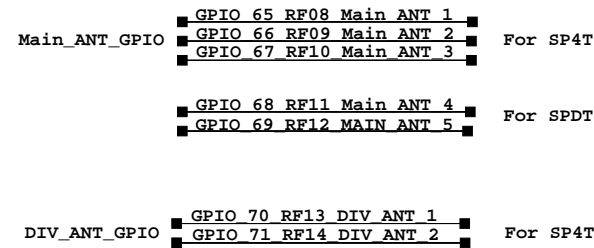
MIPI Interface



GPIO Interface



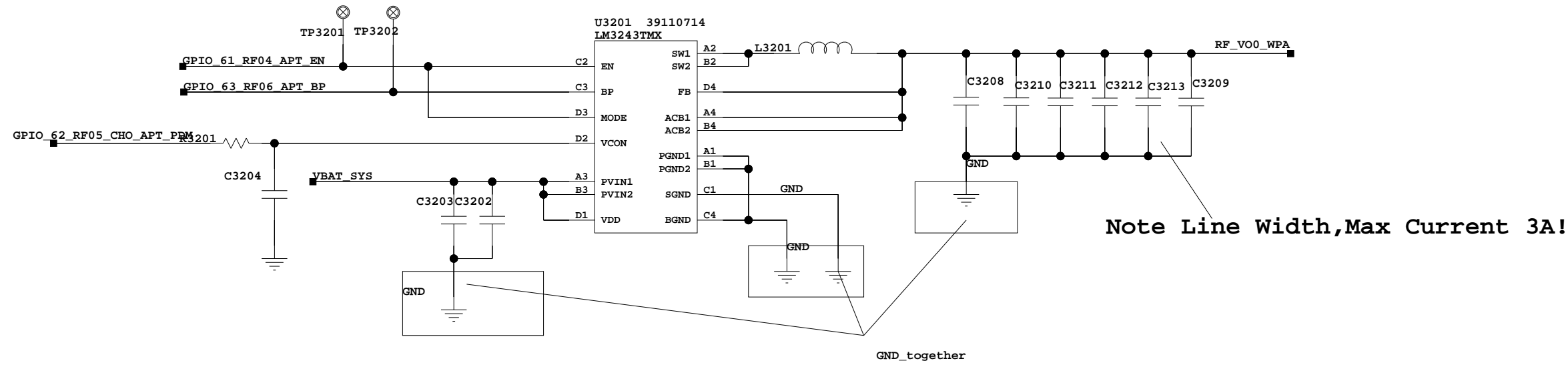
ANT Interface



The type and specification of the components refer to the BOM

					13-09-2017_20:23
					20140523
				ECA NO	DATE
DESIGNED	gumingpeng 00358948	HL1BKLM		03024GXE_SCHZH	
REVIEWED	xujianguo 00312186				
		VER	PART_NUMBER	SHEET 31 of 30	
			03024GXE	HUAWEI TECH CO.,LTD.	

32 APT_LM3243

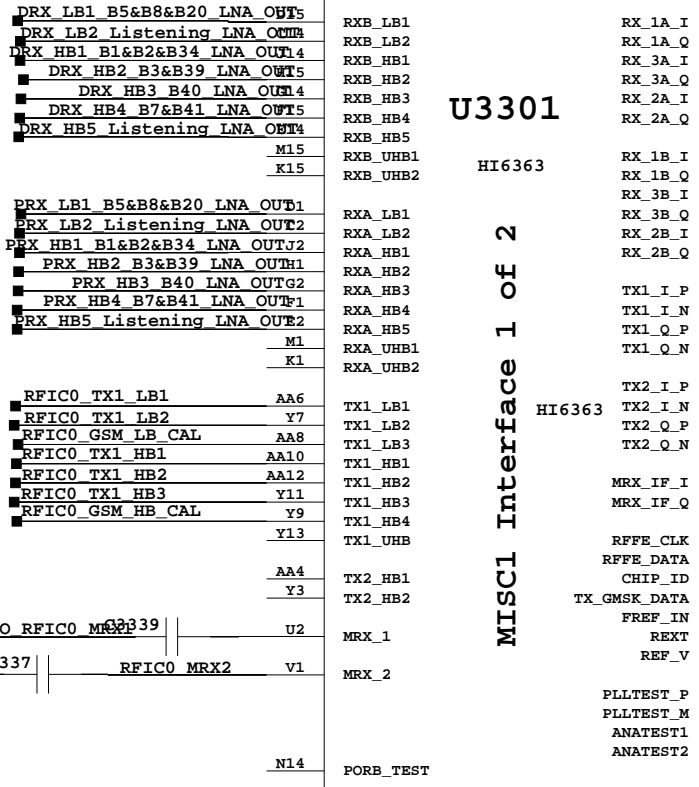


The type and specification of the components refer to the BOM

				NA	2017/01/01
				ECA NO	DATE
DESIGNED	gumingpeng 00358948	HL1AALPSM		03024GXE_SCHZH	
REVIEWED	xujianguo 00312186	VER	PART_NUMBER	SHEET 32 OF 60	
		A	03024GXE	HUAWEI TECH CO.,LTD.	

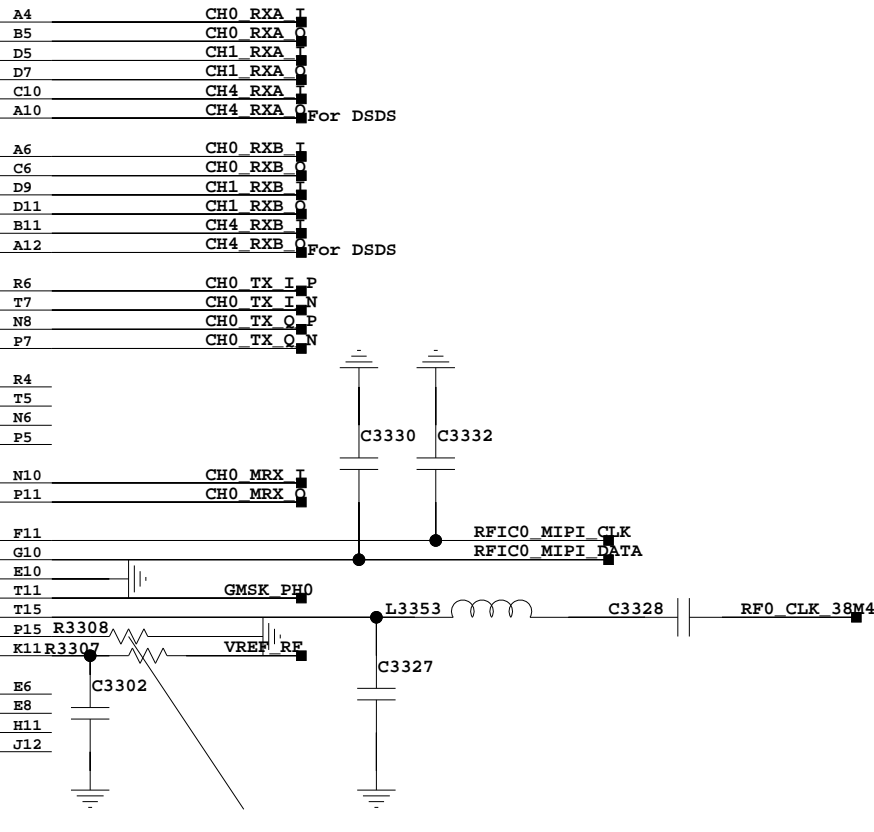
33.RFIC0_Hi6363

A



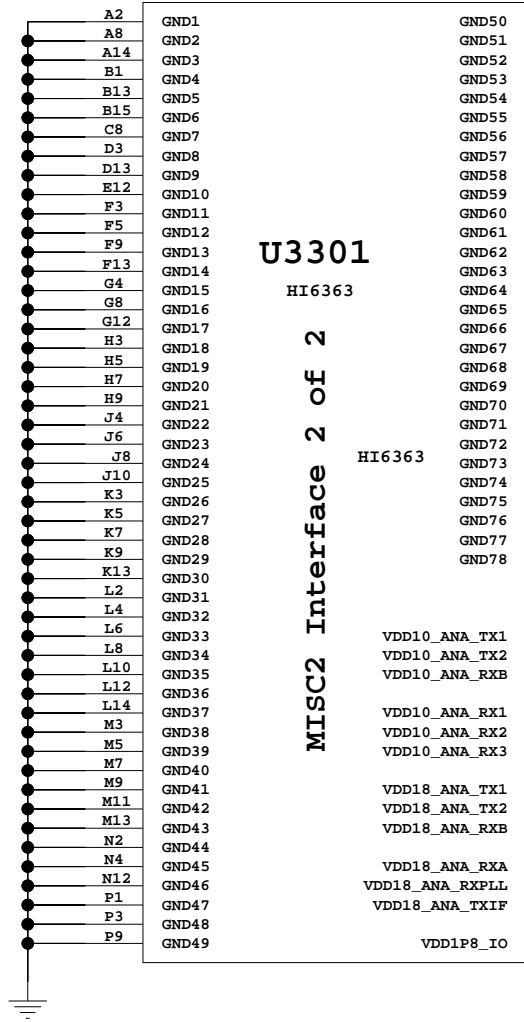
U3301

MISC1 Interface 1 of 2



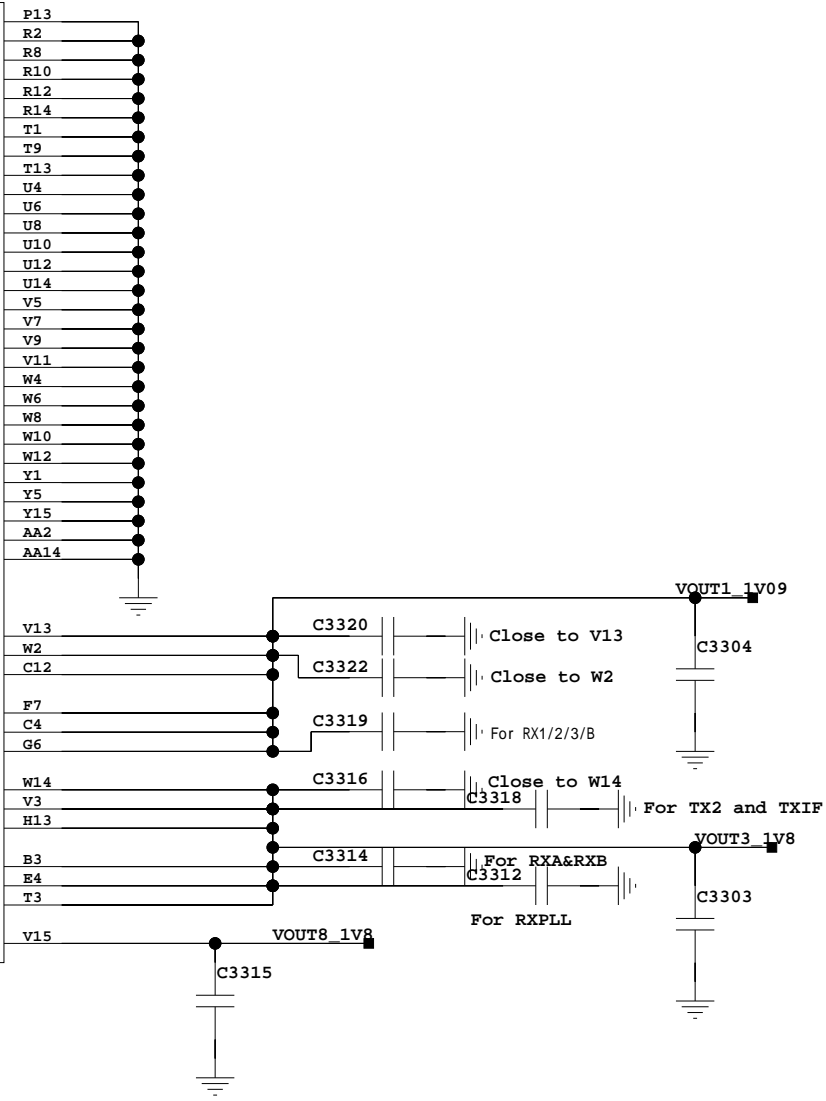
R3308 Need 37.4K , and 1%

B

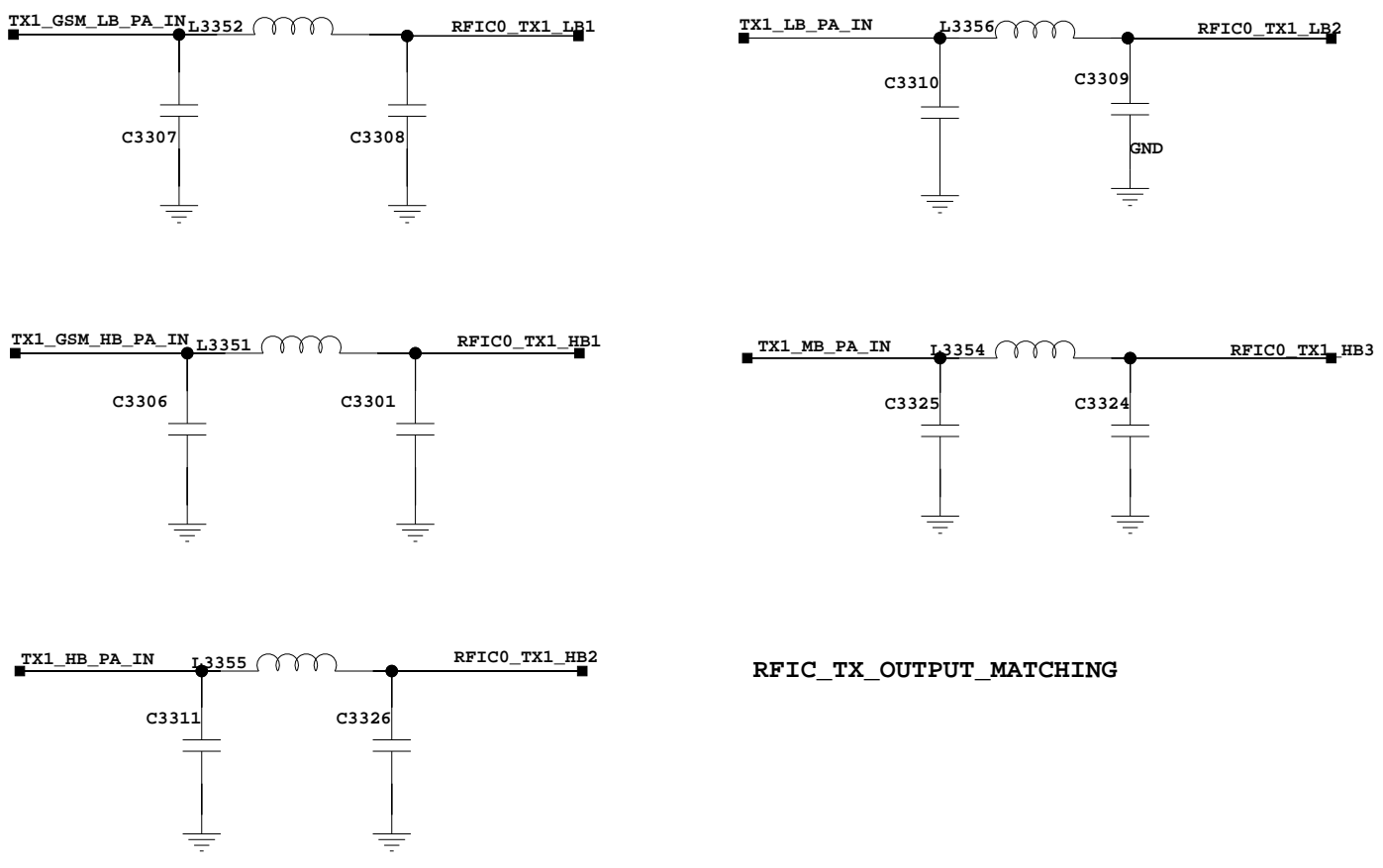


U3301

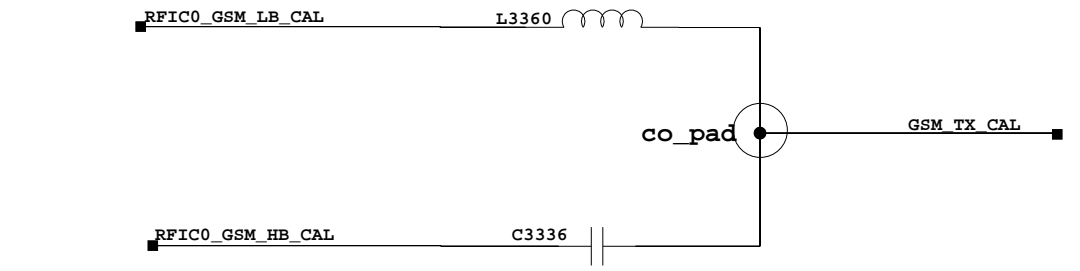
MISC2 Interface 2 of 2



C



RFIC TX OUTPUT MATCHING



Design For GSM_TX_CAL

The type and specification of the components refer to the BOM

DESIGNED	gumingpeng 00358948	HL1AALPSM	03024GXE_SCHZH
REVIEWED	xujianguo 00312186	VER	PART_NUMBER
		A	03024GXE
			SHEET 33 OF 60
			HUAWEI TECH CO.,LTD.

1

2

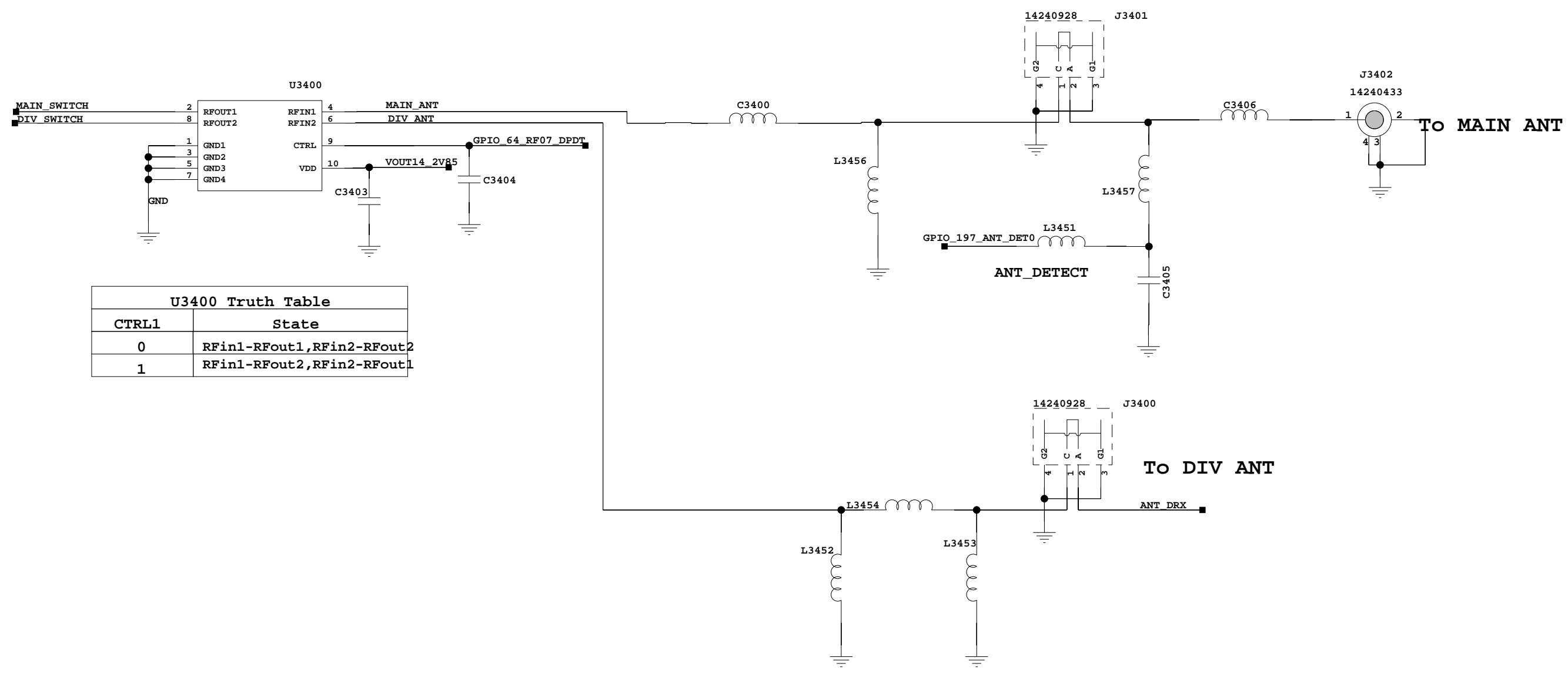
3

4

5

6

34 DPDT_Connector

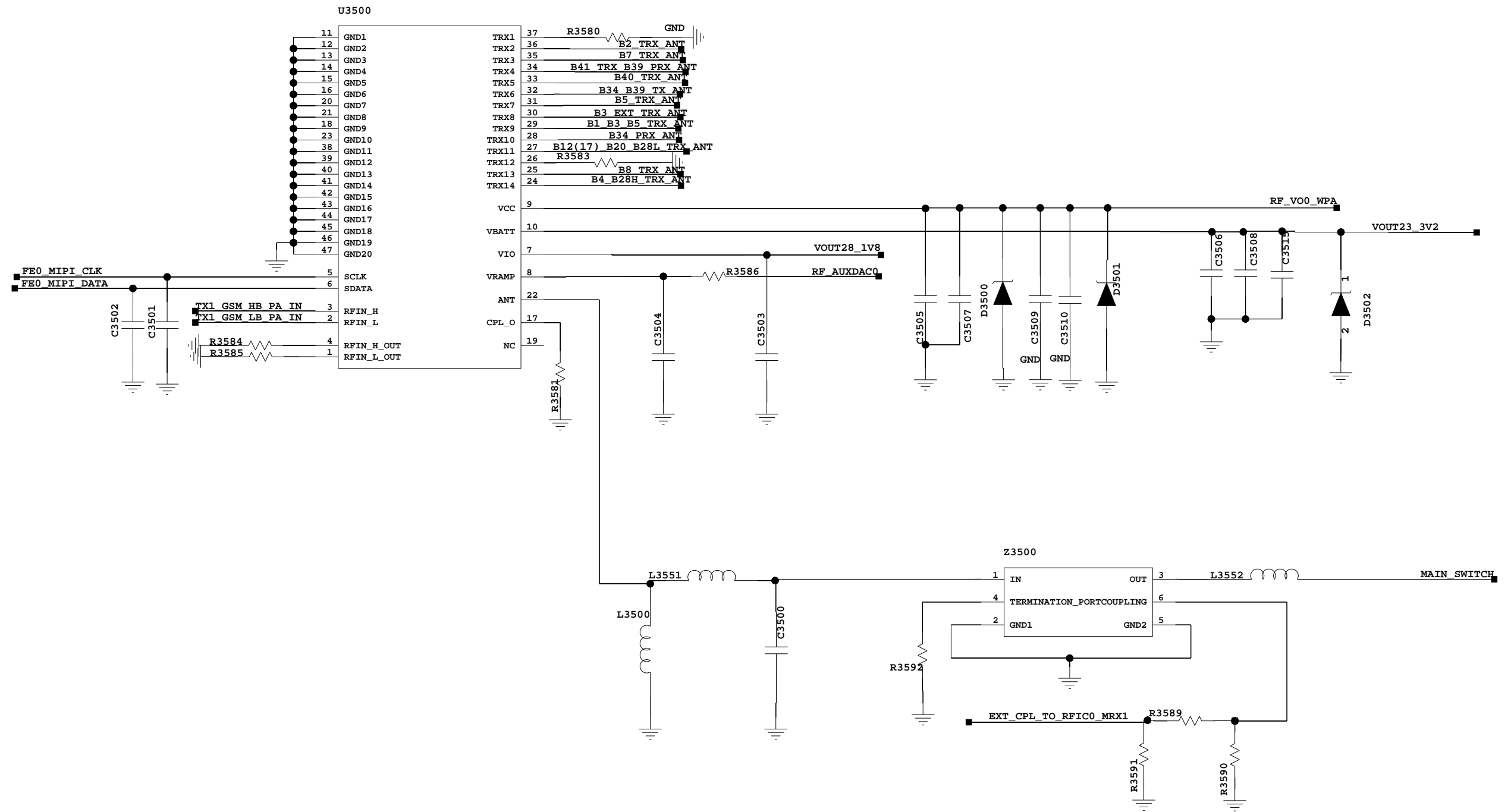


CTRL1	State
0	RFin1-RFout1,RFin2-RFout2
1	RFin1-RFout2,RFin2-RFout1

The type and specification of the components refer to the BOM

				NA	
				ECA NO	DATE
DESIGNED	gumingpeng 00358948	HL1AALPSM		03024GXE_SCHZH	
REVIEWED	xujianguo 00312186	VER	PART_NUMBER	SHEET 38 OF 60	
		A	03024GXE	HUAWEI TECH CO.,LTD.	

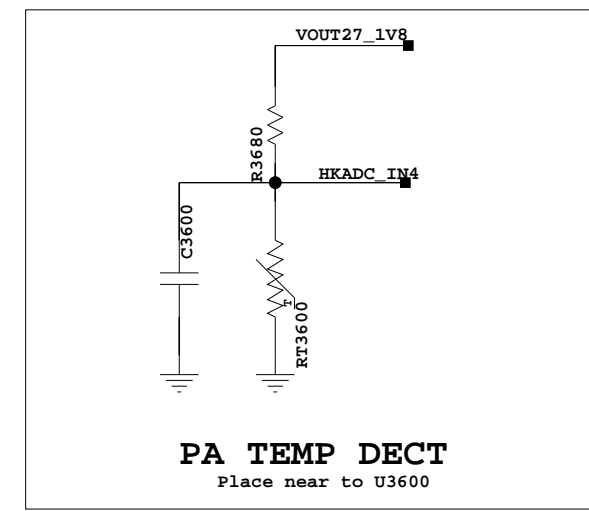
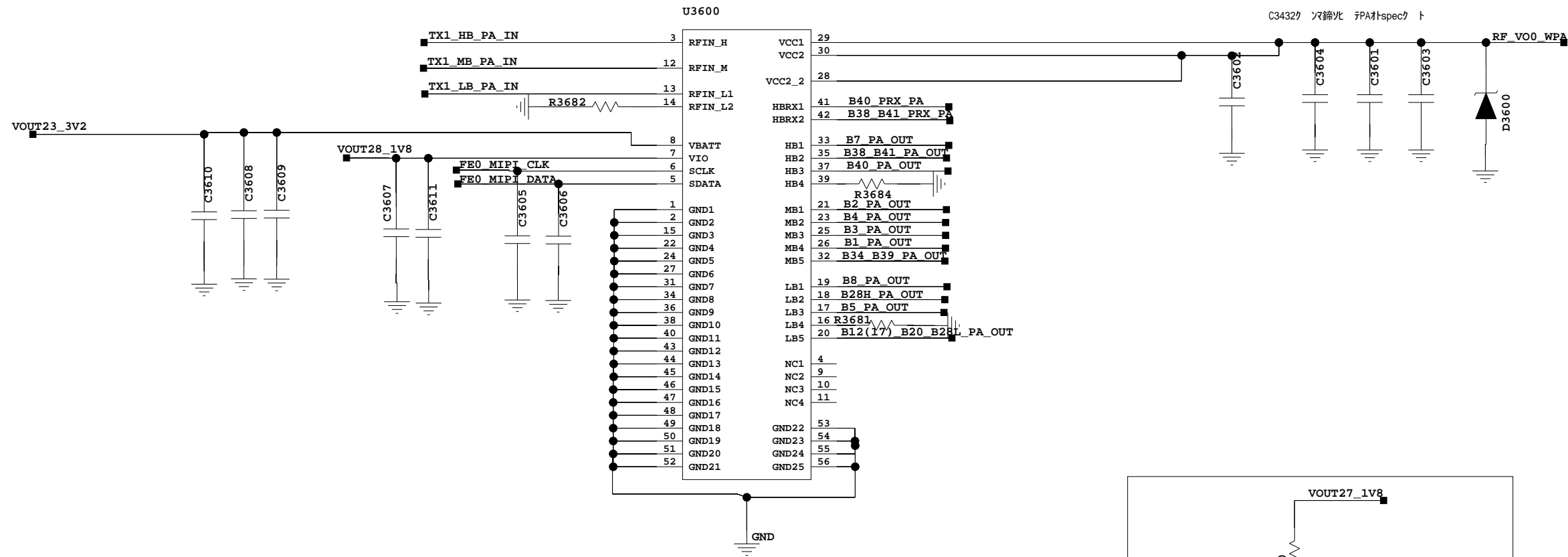
35. TXM



The type and specification of the components refer to the BOM

				NA	2015-12-26
				ECA NO	DATE
DESIGNED	gumingpeng 00358948			HL1AALPSM	
REVIEWED	xujianguo 00312186			03024GXE_SCHZH	
	VER	PART_NUMBER	SHEET 37 OF 60		
	A	03024GXE	HUAWEI TECH CO.,LTD.		

36 MMBPA

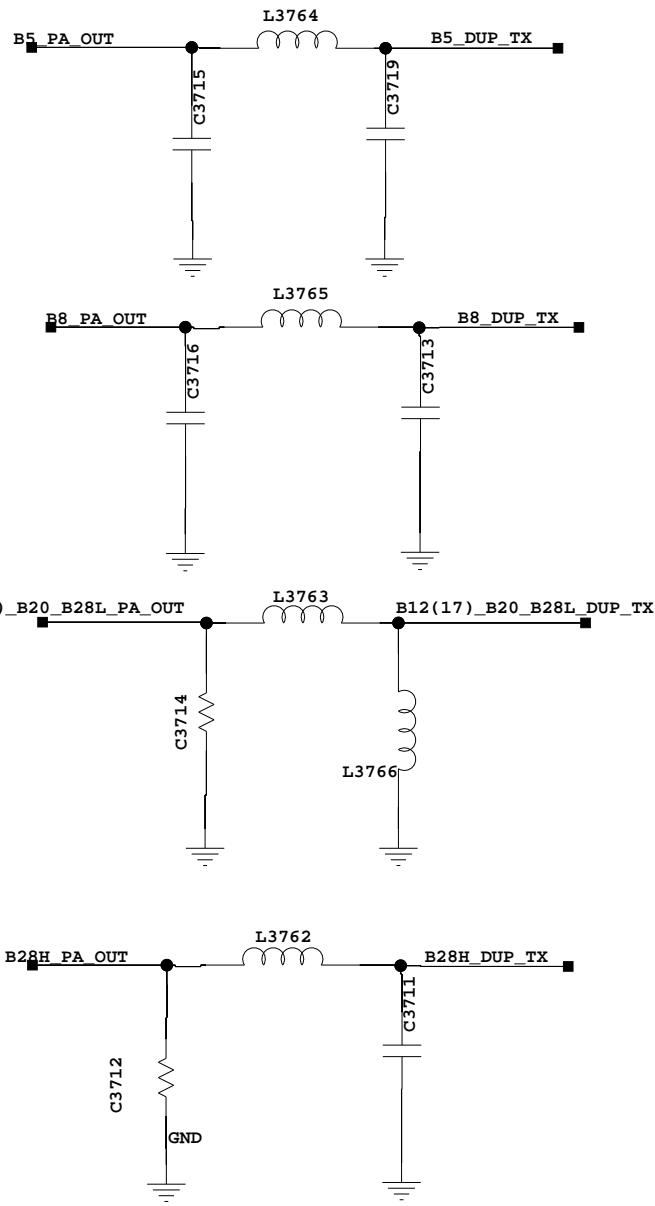


The type and specification of the components refer to the BOM

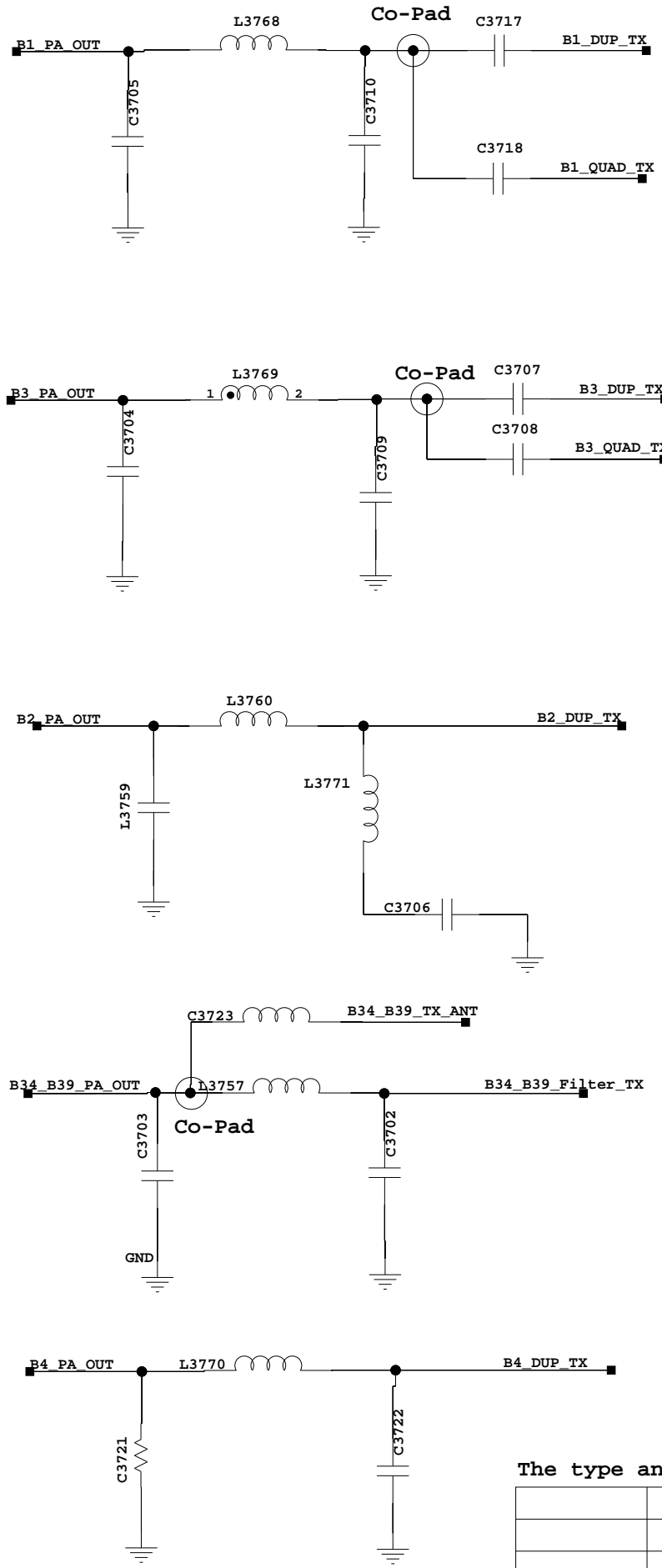
					2016-05-30
				ECA NO	DATE
DESIGNED	gumingpeng 00358948		HL1AALPSM		03024GXE_SCHZH
REVIEWED	xujianguo 00312186		VER	PART_NUMBER	SHEET 34 OF 60
			A	03024GXE	HUAWEI TECH CO.,LTD.

37.TX_Loadpull

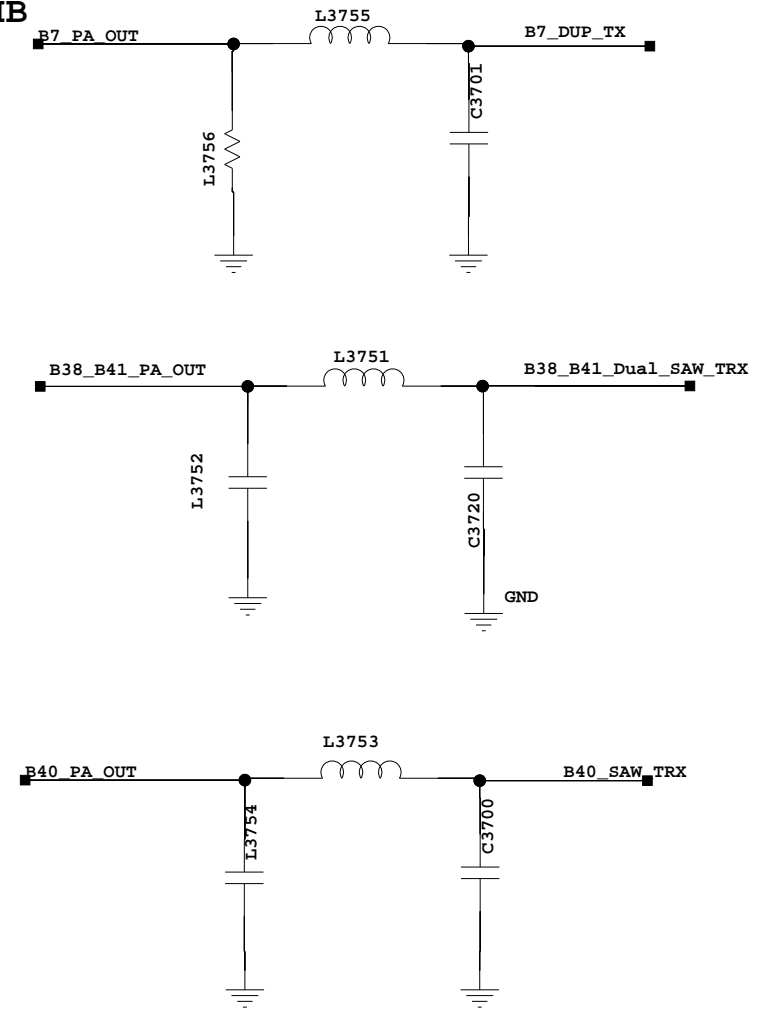
LB



MB



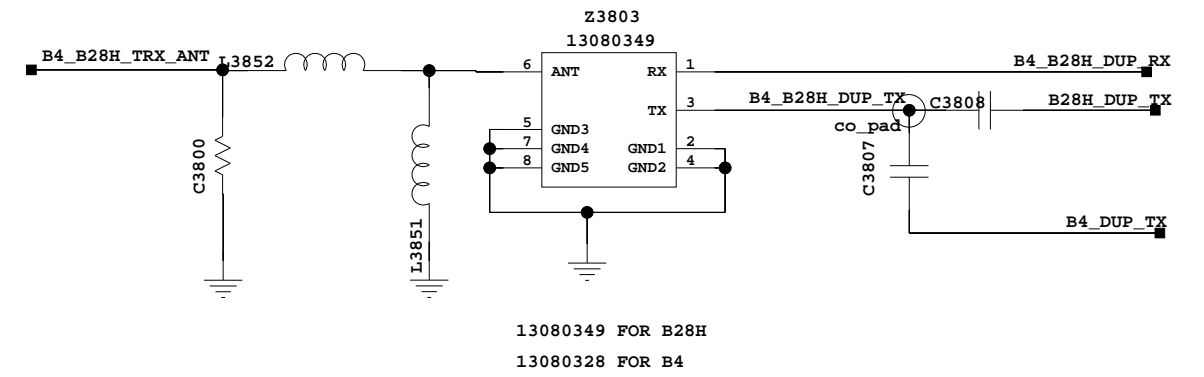
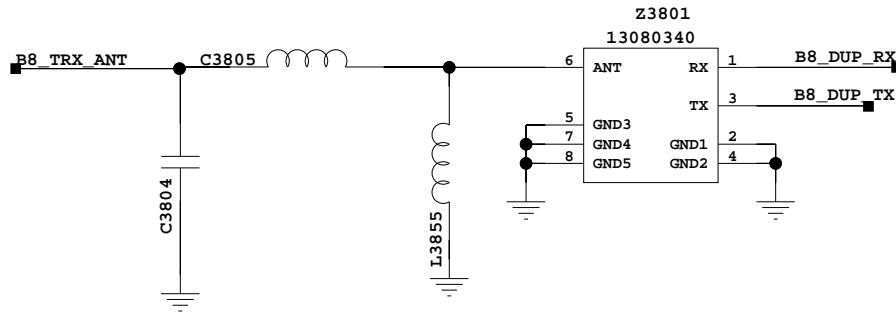
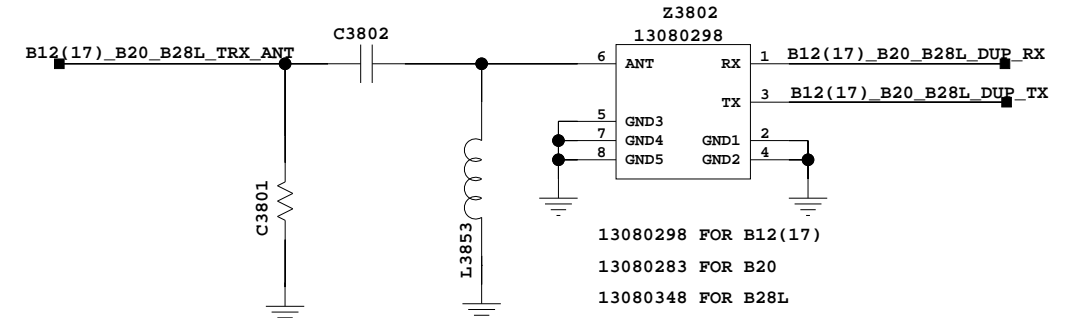
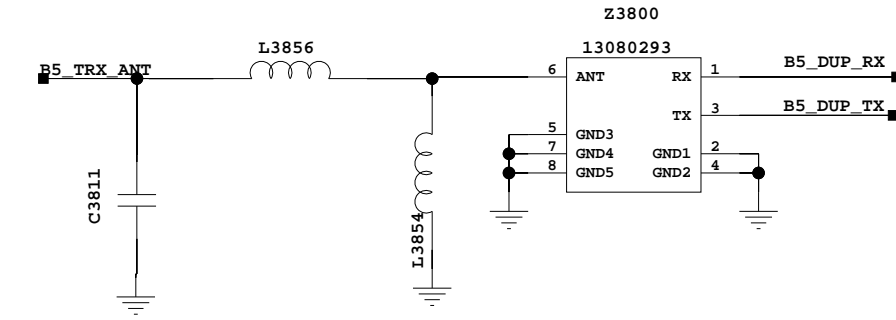
HB



The type and specification of the components refer to the BOM

				NA	2015-12-26
				ECA NO	DATE
DESIGNED	gumingpeng 00358948	HL1AALPSM		03024GXE_SCHZH	
REVIEWED	xujianguo 00312186	VER	PART_NUMBER	SHEET 37 OF 60	
		A	03024GXE	HUAWEI TECH CO.,LTD.	

38 TRX_LB_1



The type and specification of the components refer to the BOM

				NA	
				ECA NO	DATE
DESIGNED	gumingpeng 00358948	HL1AALPSM		03024GXE_SCHZH	
REVIEWED	xujianguo 00312186	VER	PART_NUMBER	SHEET 38 OF 60	
		A	03024GXE	HUAWEI TECH CO.,LTD.	

39 TRX_LB_2

A

A

B

B

C

C

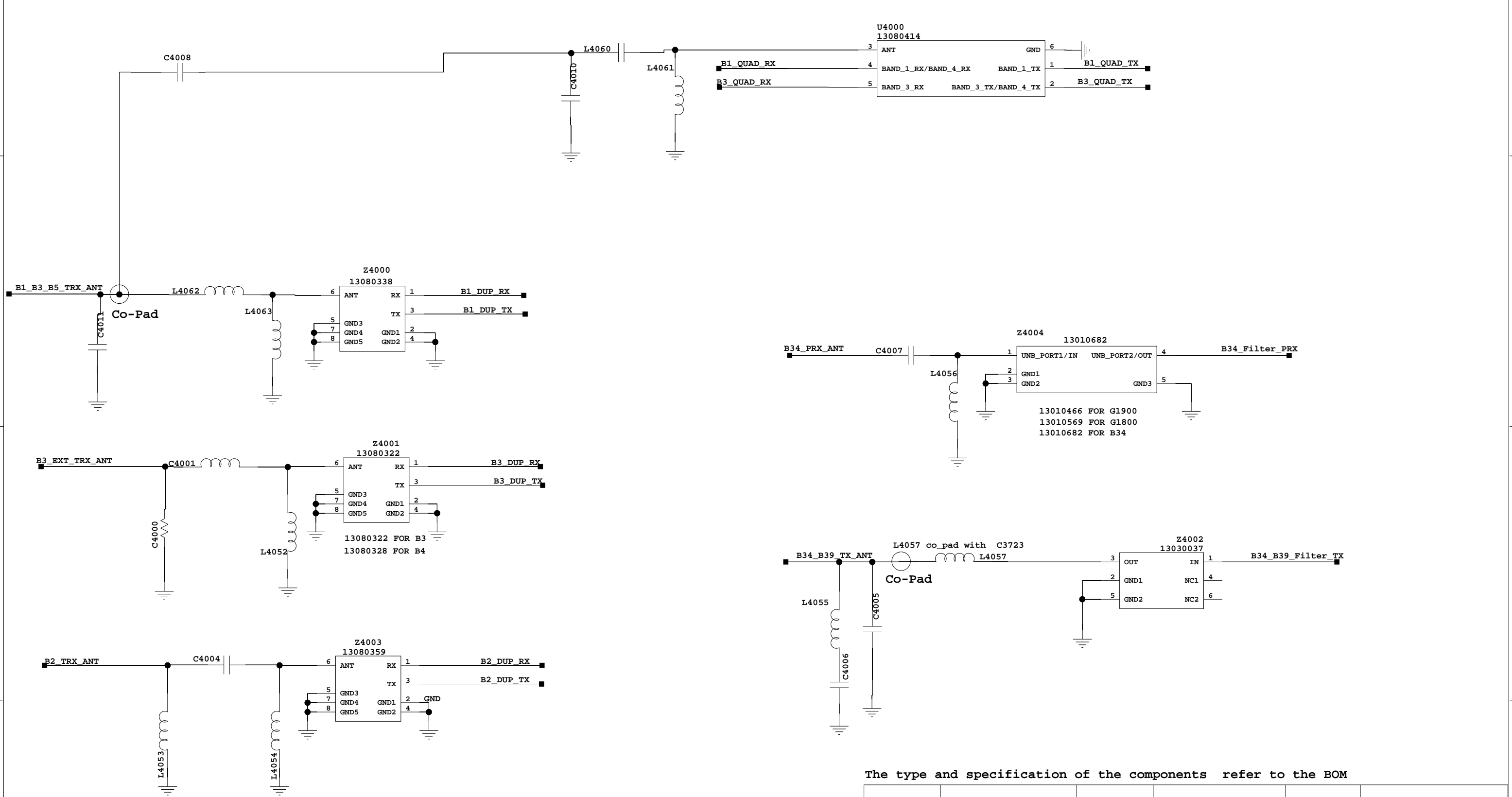
D

D

The type and specification of the components refer to the BOM

				NA	2017/01/01
				ECA NO	DATE
DESIGNED	gumingpeng 00358948	HL1AALPSM		03024GXE_SCHZH	
REVIEWED	xujianguo 00312186				
		VER	PART_NUMBER	SHEET 39 OF 60	
		A	03024GXE	HUAWEI TECH CO.,LTD.	

40 TRX_MB_1



The type and specification of the components refer to the BOM

				NA	2017/01/01
				ECA NO	DATE
DESIGNED	gumingpeng 00358948		HL1AALPSM		03024GXE_SCHZH
REVIEWED	xujianguo 00312186		VER	PART_NUMBER	SHEET 40 OF 60
			A	03024GXE	HUAWEI TECH CO.,LTD.

41 TRX_MB_2

A

A

B

B

C

C

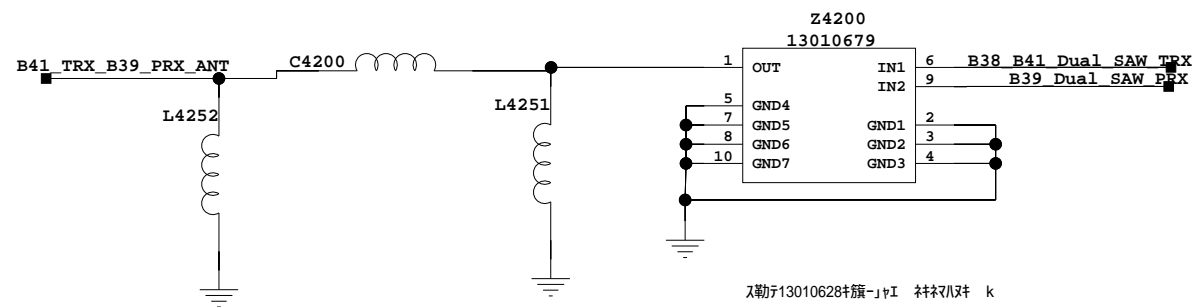
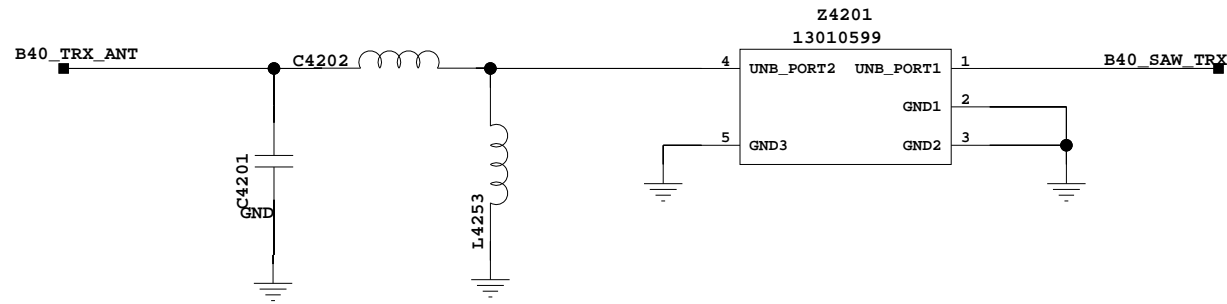
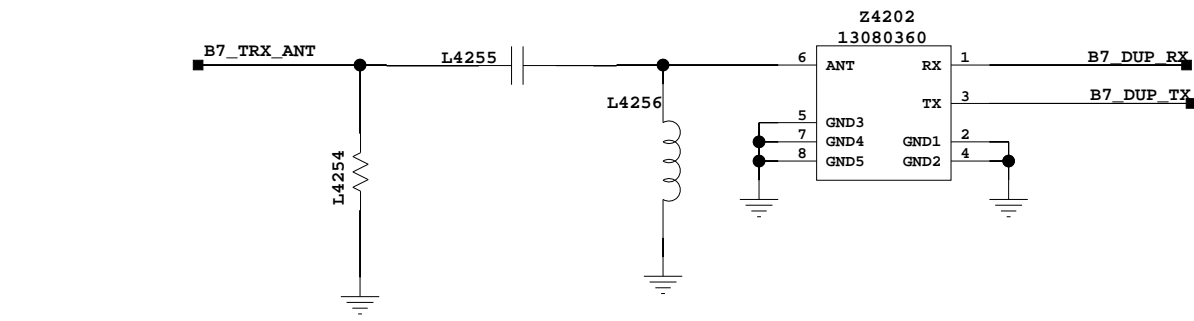
D

D

The type and specification of the components refer to the BOM

				NA	2017/01/01
				ECA NO	DATE
DESIGNED	gumingpeng 00358948		HL1AALPSM		03024GXE_SCHZH
REVIEWED	xujianguo 00312186				
		VER	PART_NUMBER	SHEET 41 OF 60	
		A	03024GXE	HUAWEI TECH CO.,LTD.	

42 TRX_HB_1



The type and specification of the components refer to the BOM

				NA	2017/01/01
				ECA NO	DATE
DESIGNED	gumingpeng 00358948		HL1AALPSM		03024GXE_SCHZH
REVIEWED	xujianguo 00312186				
	VER	PART_NUMBER	SHEET 42 OF 60		
	A	03024GXE	HUAWEI TECH CO.,LTD.		

43. TRX_HB_2

A

A

B

B

C

C

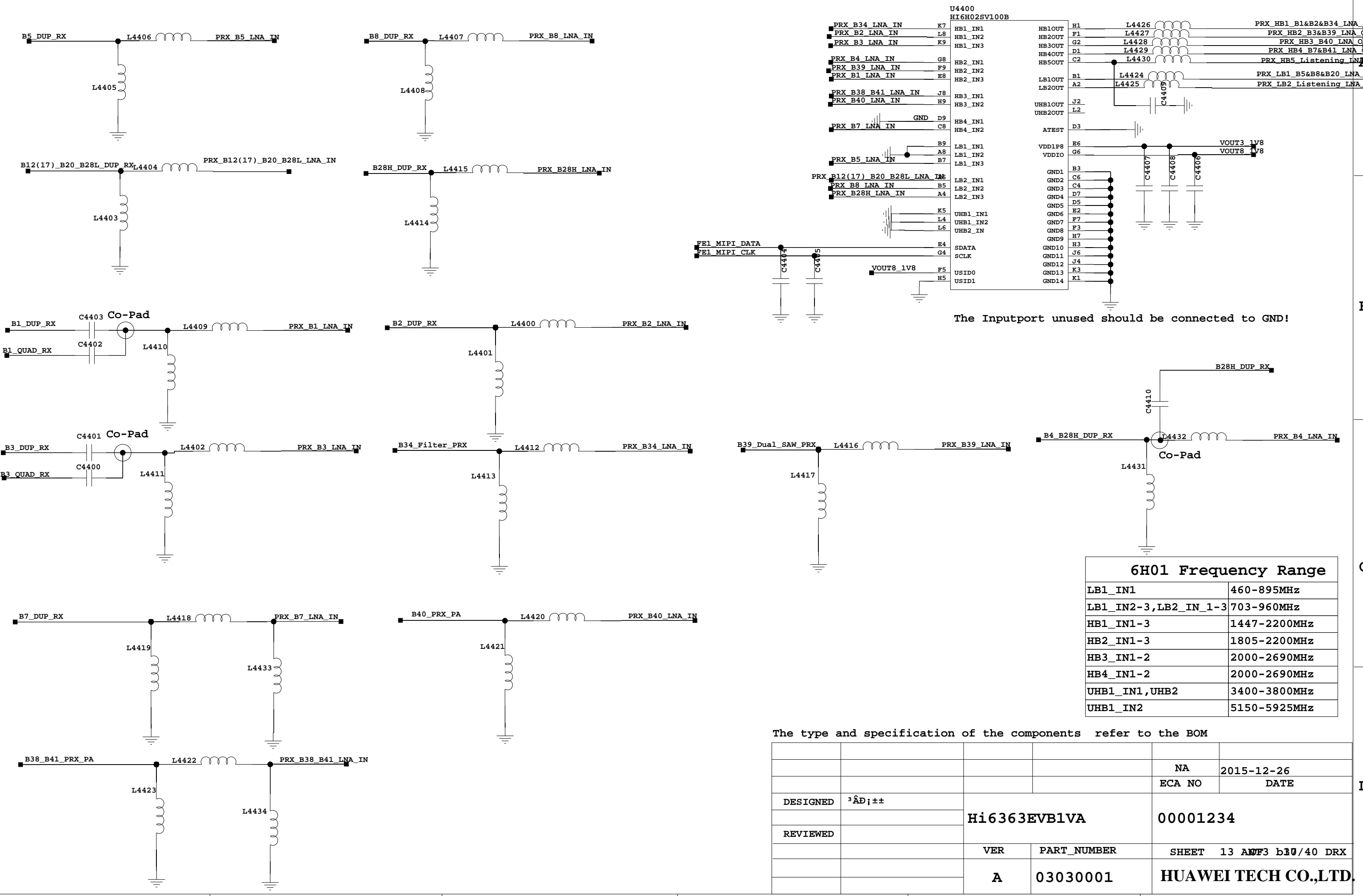
D

D

The type and specification of the components refer to the BOM

				NA	2017/01/01
				ECA NO	DATE
DESIGNED	gumingpeng 00358948			HL1AALPSM	
				03024GXE_SCHZH	
REVIEWED	xujianguo 00312186				
		VER	PART_NUMBER	SHEET 43 OF 60	
		A	03024GXE	HUAWEI TECH CO.,LTD.	

44. PRX_LNA_Module

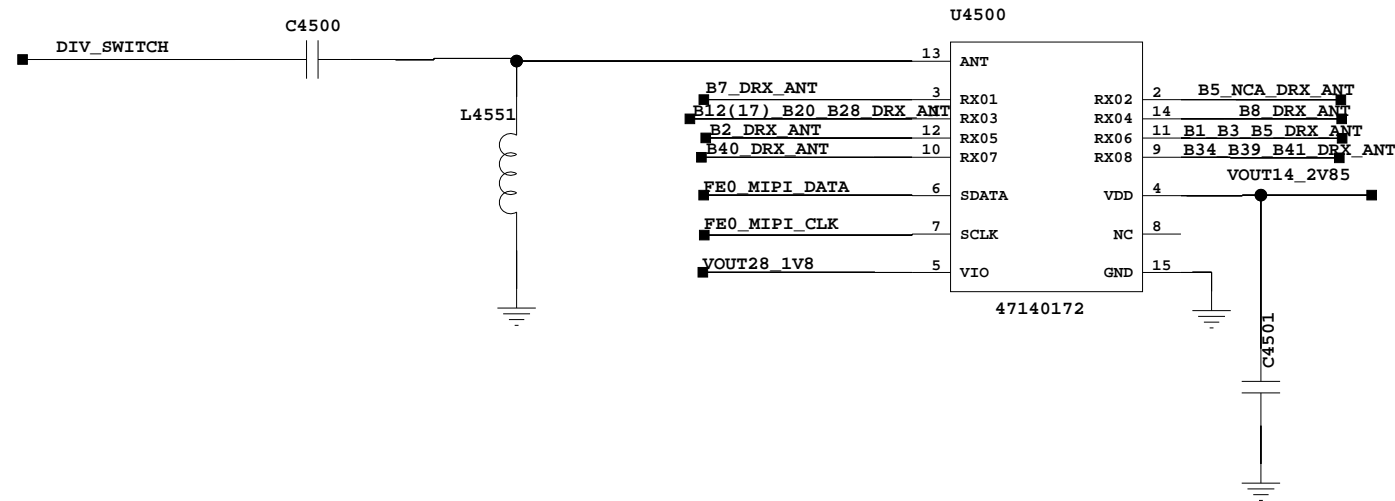


6H01 Frequency Range	
LB1_IN1	460-895MHz
LB1_IN2-3, LB2_IN_1-3	703-960MHz
HB1_IN1-3	1447-2200MHz
HB2_IN1-3	1805-2200MHz
HB3_IN1-2	2000-2690MHz
HB4_IN1-2	2000-2690MHz
UHB1_IN1, UHB2	3400-3800MHz
UHB1_IN2	5150-5925MHz

The type and specification of the components refer to the BOM

DESIGNED	³ ADj±±	Hi6363EVB1VA	00001234
REVIEWED		VER	PART_NUMBER
		A	03030001
			SHEET 13 AND 3 b10/40 DRX
			HUAWEI TECH CO.,LTD.

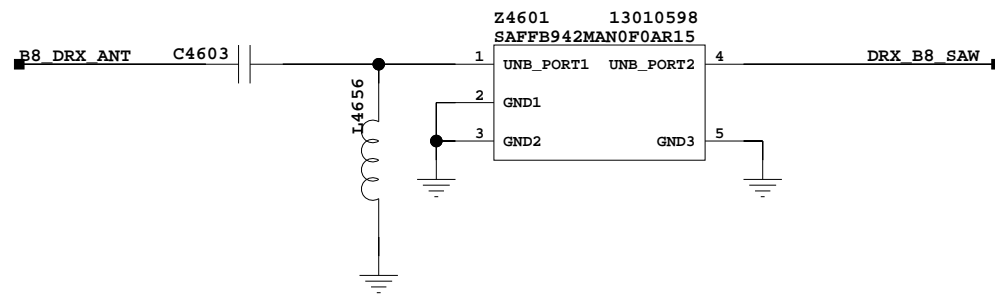
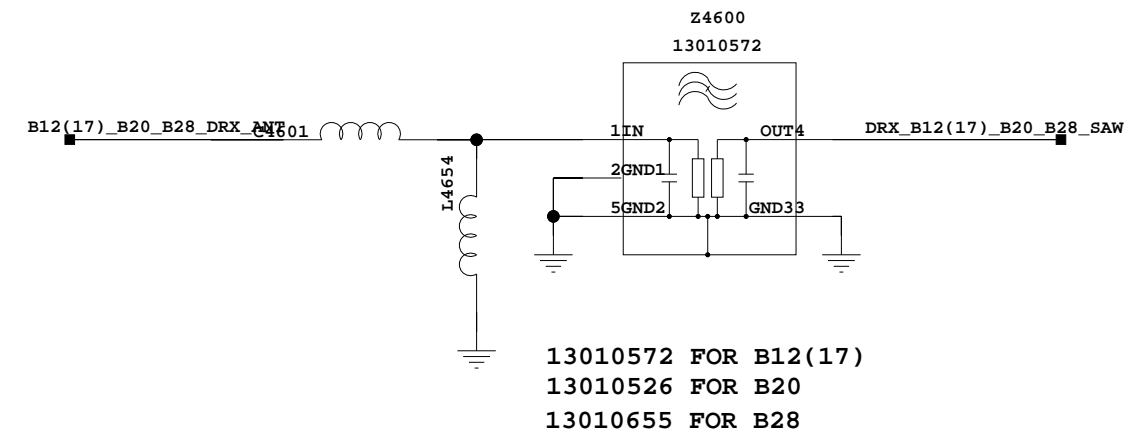
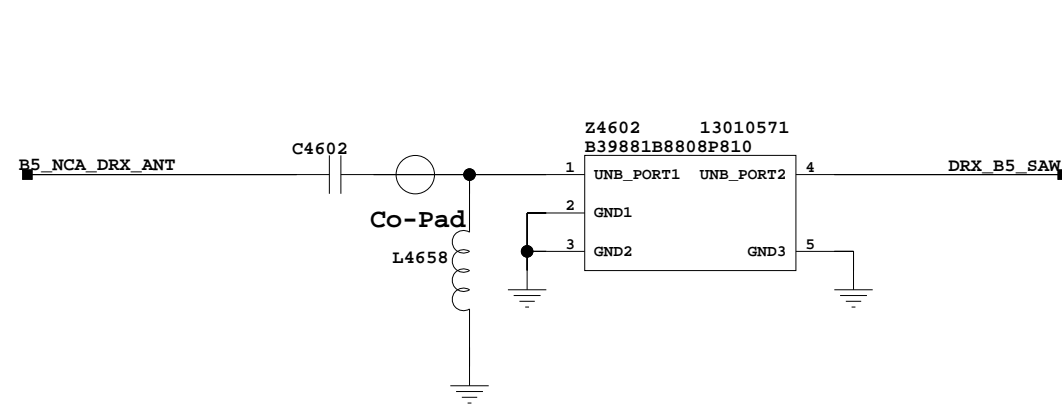
45.DRX_SWITCH



The type and specification of the components refer to the BOM

				NA	2015-12-26
				ECA NO	DATE
DESIGNED	³Äj±±	Hi6363EVB1VA		00001234	
REVIEWED					
		VER	PART_NUMBER	SHEET 13 AND 3 b10/40 DRX	
		A	03030001	HUAWEI TECH CO.,LTD.	

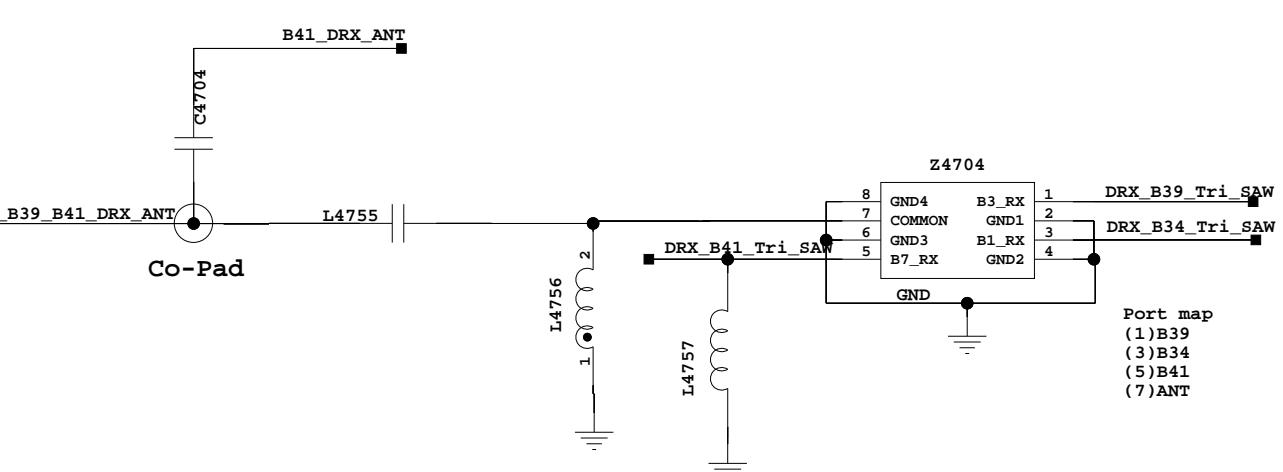
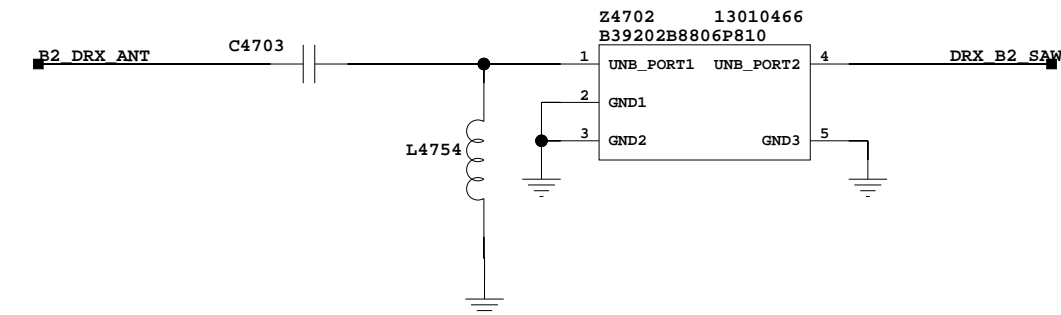
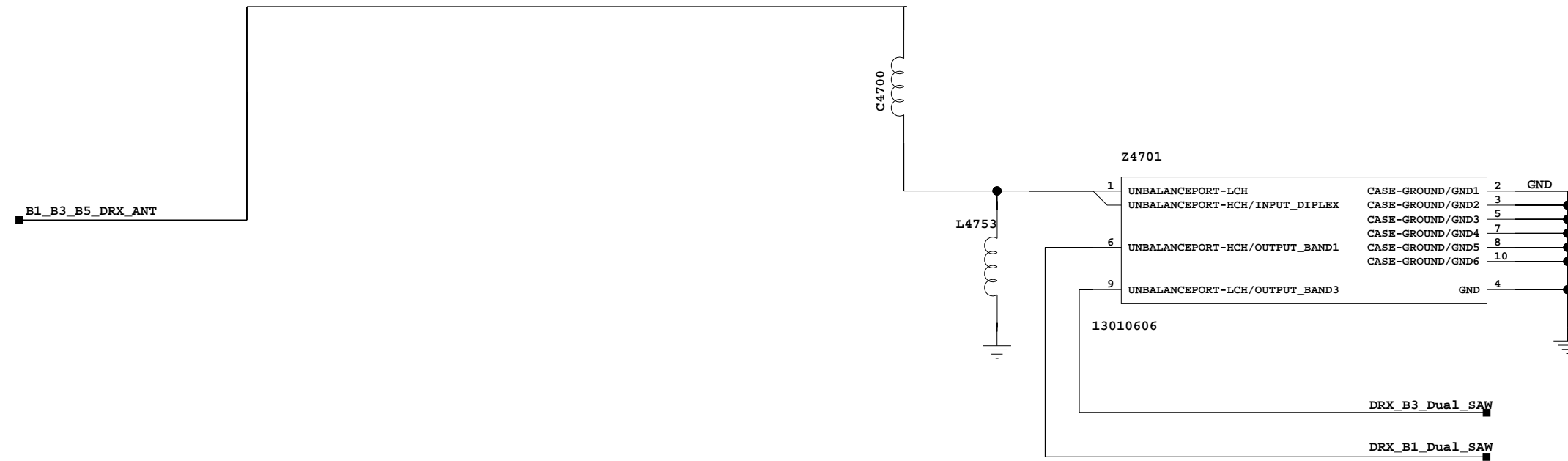
46. DRX_LB



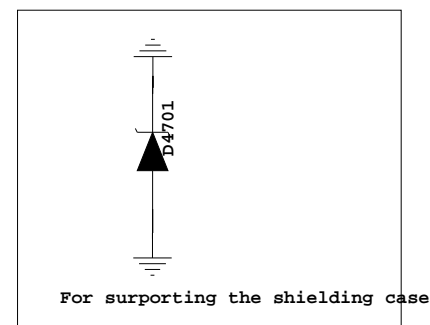
The type and specification of the components refer to the BOM

				NA	20140523
				ECA NO	DATE
DESIGNED	yuanhailin/00265042		HL1ACLUBM		
REVIEWED	yangjiangtao/00141174				
		VER	PART_NUMBER	SHEET 46 OF 60	
		A	03022MYN	HUAWEI TECH CO.,LTD.	

47. DRX_MB



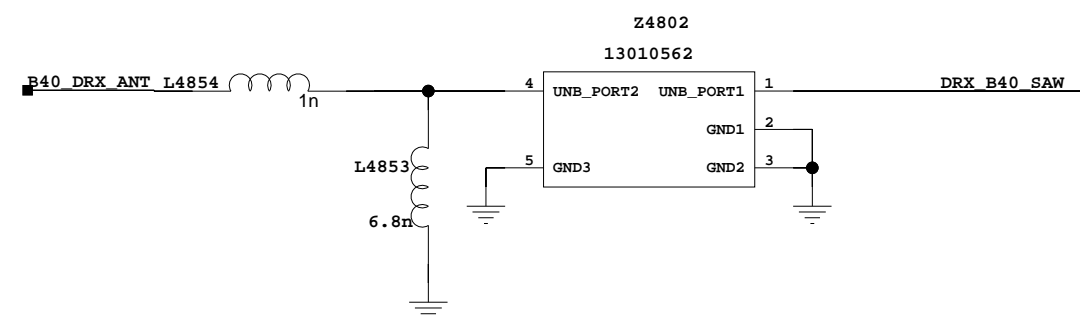
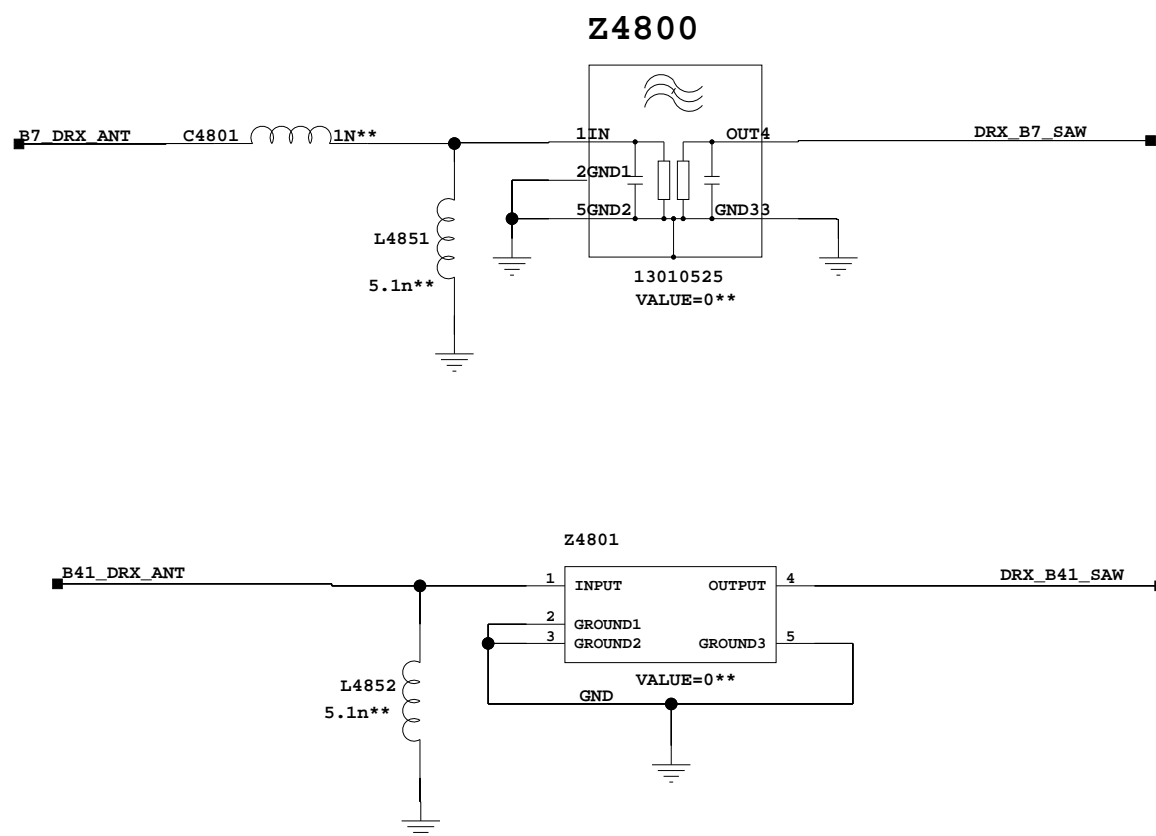
B34/39/41 Tri_SAW does not have a package; we use the package of Band 20 duplexer as its package temporarily



The type and specification of the components refer to the BOM

				NA	
				ECA NO	DATE
DESIGNED	yuanhailin/00265042	HL1ACLUBM		00001234	
REVIEWED	yangjiangtao/00141174	VER	PART_NUMBER	SHEET 47 OF 60	
		A	03022MYN	HUAWEI TECH CO.,LTD.	

48. DRX_HB

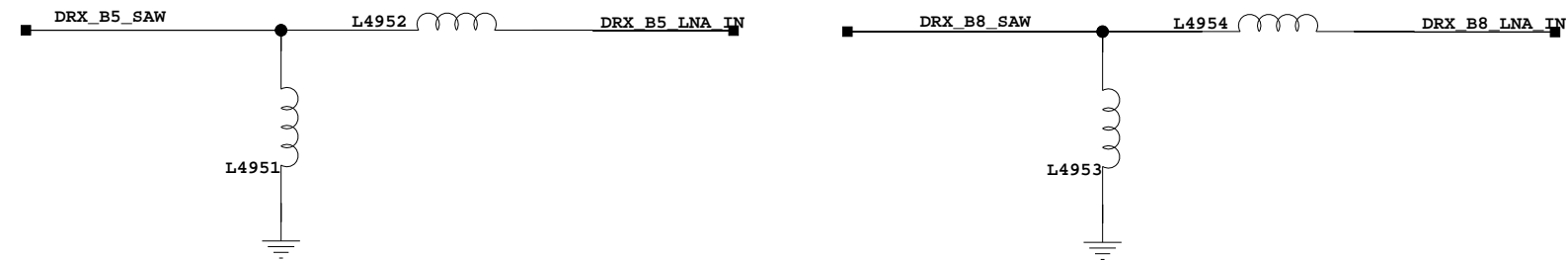


The type and specification of the components refer to the BOM

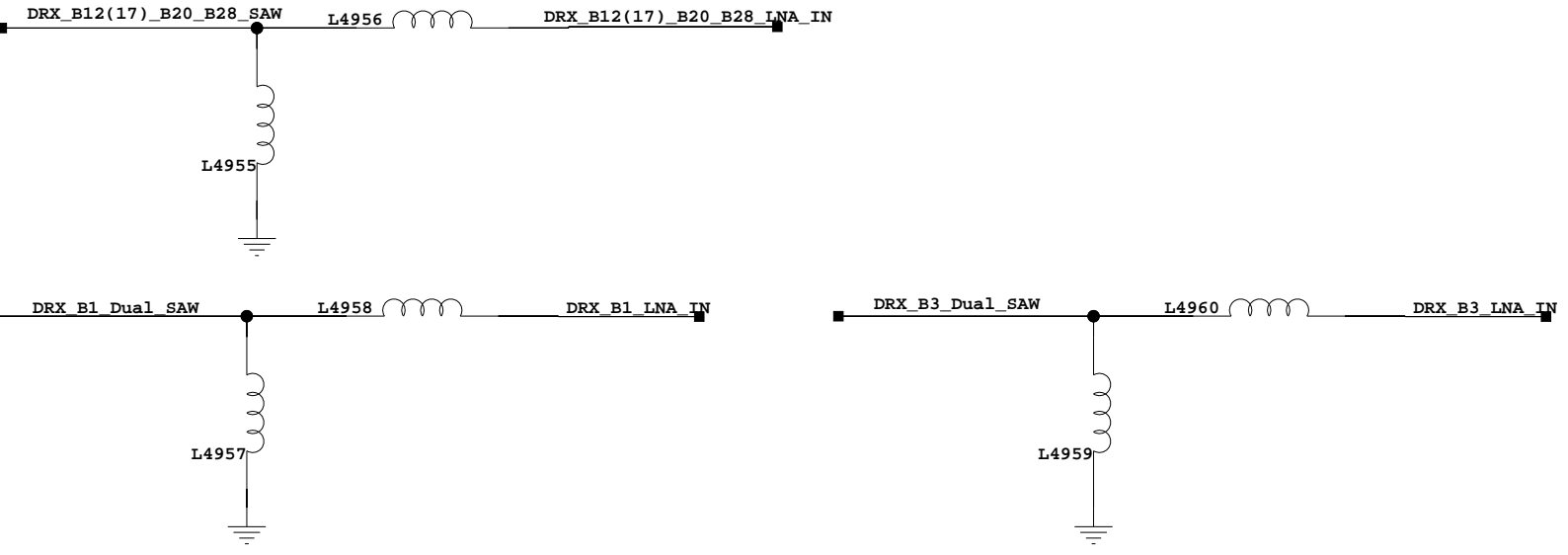
					20160108
				ECA NO	DATE
DESIGNED	ZHANGCHAO 00361235	HL1ACLUBM		03023RPL_SCHZH	
REVIEWED	SHUYINGFEI 00186183				
		VER	PART_NUMBER	SHEET 48 OF 60	
		A	03023RPL	HUAWEI TECH CO.,LTD.	

49. DRX_LNA_Module

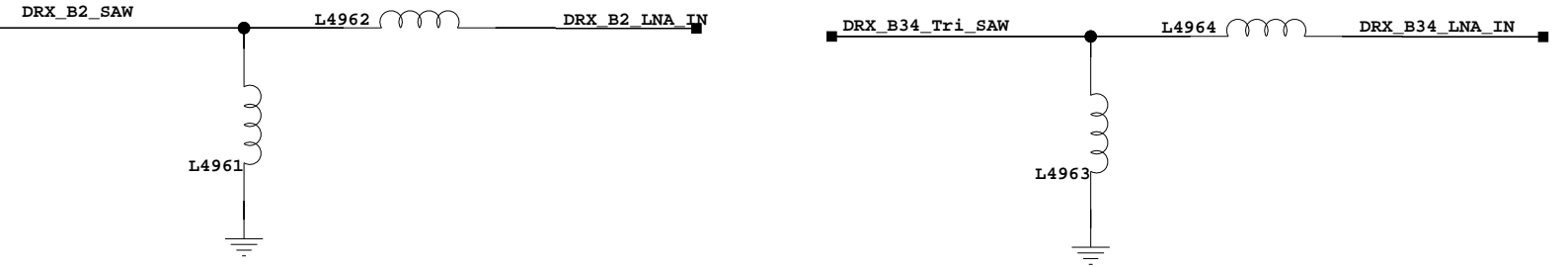
A



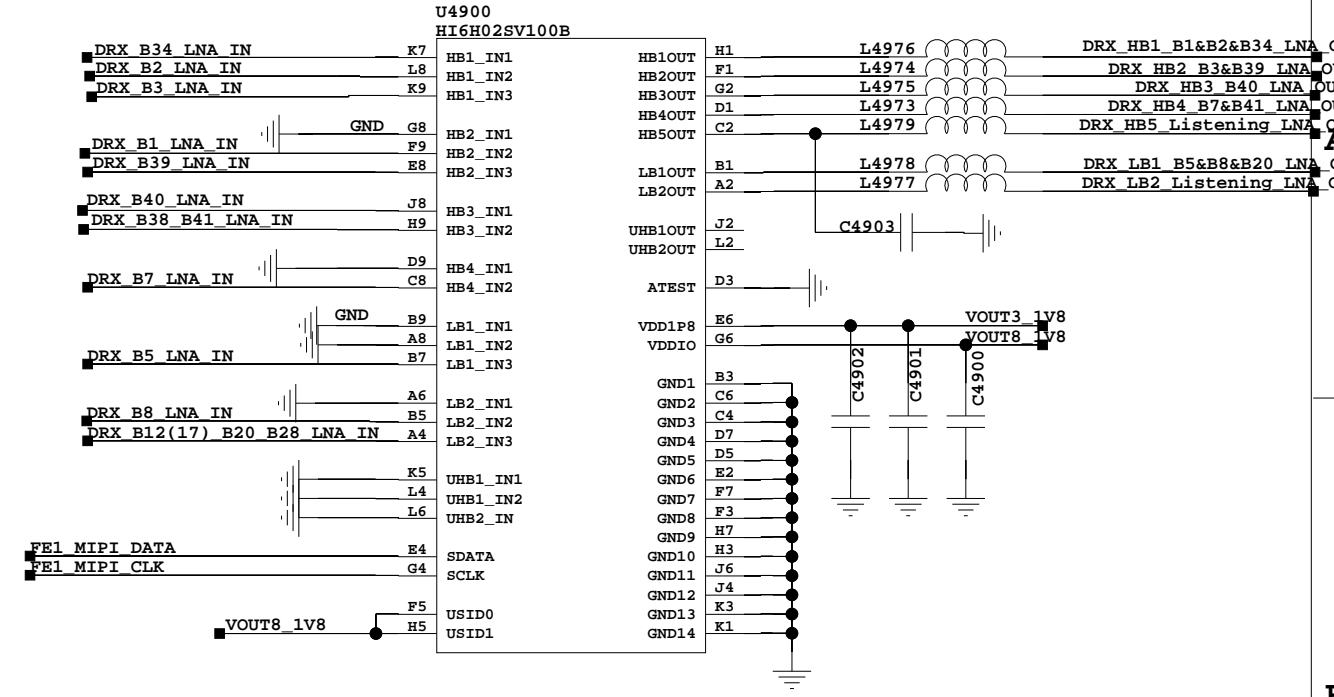
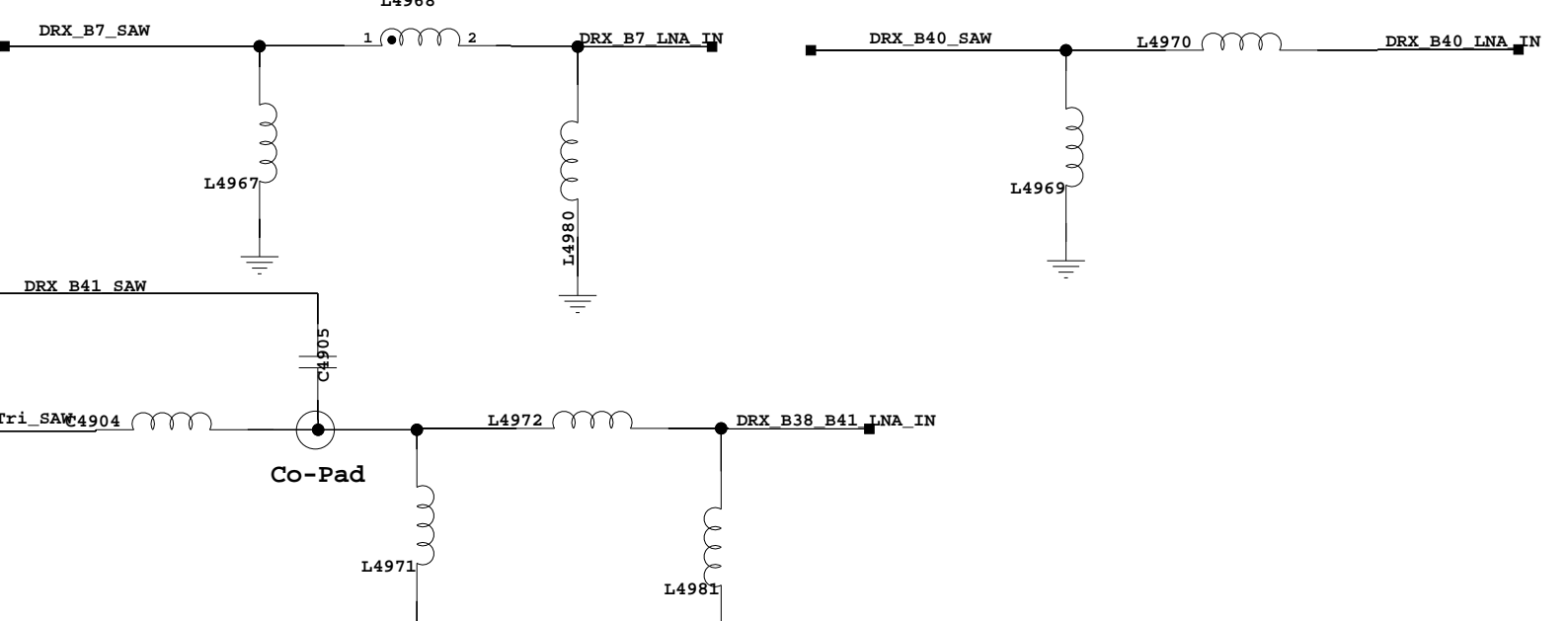
B



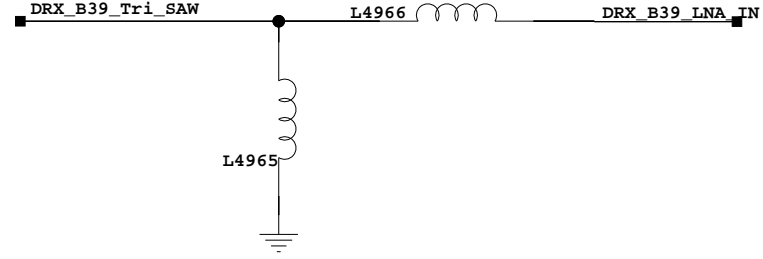
C



D



The Inputport unused should be connected to GND!



LB1_IN1	460-895MHz
LB1_IN2-3, LB2_IN_1-3	703-960MHz
HB1_IN1-3	1447-2200MHz
HB2_IN1-3	1805-2200MHz
HB3_IN1-2	2000-2690MHz
HB4_IN1-2	2000-2690MHz
UHB1_IN1, UHB2	3400-3800MHz
UHB1_IN2	5150-5925MHz

The type and specification of the components refer to the BOM

DESIGNED	yuanhailin/00265042	HL1ACLUBM	TBD For	2014-02-27
REVIEWED	yangjiangtao/00141174		ECA NO	DATE
		VER	PART_NUMBER	SHEET 49 OF 60
		B	0302XXXX	HUAWEI TECH CO.,LTD.

50. Reserved

A

A

B

B

C

C

D

D

The type and specification of the components refer to the BOM

				TBD For	2014-02-27
				ECA NO	DATE
DESIGNED	yuanhailin/00265042	HL1ACLUBM			
REVIEWED	yangjiangtao/00141174				
		VER	PART_NUMBER	SHEET 50 OF 60	
		B	0302XXXX	HUAWEI TECH CO.,LTD.	

51. Reserved_RFIC1

A

B

C

D

The type and specification of the components refer to the BOM

					2016-05-30
				ECA NO	DATE
DESIGNED	wangsaisai/00216332	HL1ACLUBM		03023VEN	
REVIEWED	yangjiangtao 00141174				
		VER	PART_NUMBER	SHEET 51 OF 60	
		A	03012DJK	HUAWEI TECH CO.,LTD.	

52. Reserved_APT1

A

A

B

B

C

C

D

D

The type and specification of the components refer to the BOM

				ECA NO	DATE
DESIGNED	yuanhailin/00265042	HL1ACLUBM		NA	03023XXX
REVIEWED	yangjiangtao/00141174				
		VER	PART_NUMBER	SHEET 56 OF 60	
		A	03011RWN	HUAWEI TECH CO.,LTD.	

53. Reserved_MIMO_DRX2

A

A

B

B

C

C

D

D

The type and specification of the components refer to the BOM

				ECA NO	DATE
DESIGNED	yuanhailin/00265042	HL1ACLUBM		NA	03023XXX
REVIEWED	yangjiangtao/00141174				
		VER	PART_NUMBER	SHEET 56 OF 60	
		A	03011RWN	HUAWEI TECH CO.,LTD.	

54. Reserved_DRX3

A

A

B

B

C

C

D

D

The type and specification of the components refer to the BOM

				ECA NO	DATE
DESIGNED	yuanhailin/00265042	HL1ACLUBM		NA	03023XXX
REVIEWED	yangjiangtao/00141174				
		VER	PART_NUMBER	SHEET 56 OF 60	
		A	03011RWN	HUAWEI TECH CO.,LTD.	

55. Reserved_PA_SUB_6G

A

A

B

B

C

C

D

D

The type and specification of the components refer to the BOM

				ECA NO	DATE
DESIGNED	yuanhailin/00265042	HL1ACLUBM		NA	03023XXX
REVIEWED	yangjiangtao/00141174				
		VER	PART_NUMBER	SHEET 56 OF 60	
		A	03011RWN	HUAWEI TECH CO.,LTD.	

56. Reserved_TRX_SUB_6G

A

A

B

B

C

C

D

D

The type and specification of the components refer to the BOM

				ECA NO	DATE
DESIGNED	yuanhailin/00265042	HL1ACLUBM		NA	03023XXX
REVIEWED	yangjiangtao/00141174				
		VER	PART_NUMBER	SHEET 56 OF 60	
		A	03011RWN	HUAWEI TECH CO.,LTD.	

57. Reserved_DRX_SUB_6G

A

B

C

D

The type and specification of the components refer to the BOM

				ECA NO	DATE
DESIGNED	yuanhailin/00265042	HL1ACLUBM		NA	03023XXX
REVIEWED	yangjiangtao/00141174			SHEET 56 OF 60	
		VER	PART_NUMBER		
		A	03011RWN	HUAWEI TECH CO.,LTD.	

58.Reserved

A

A

B

B

C

C

D

D

The type and specification of the components refer to the BOM

				NA	20140523
				ECA NO	DATE
DESIGNED	yuanhailin/00265042	Boston_Ultra2			
REVIEWED	yangjiangtao/00141174				
		VER	PART_NUMBER	SHEET 59 OF 60	
		A	03022MYN	HUAWEI TECH CO.,LTD.	

59. Reserved

A

A

B

B

C

C

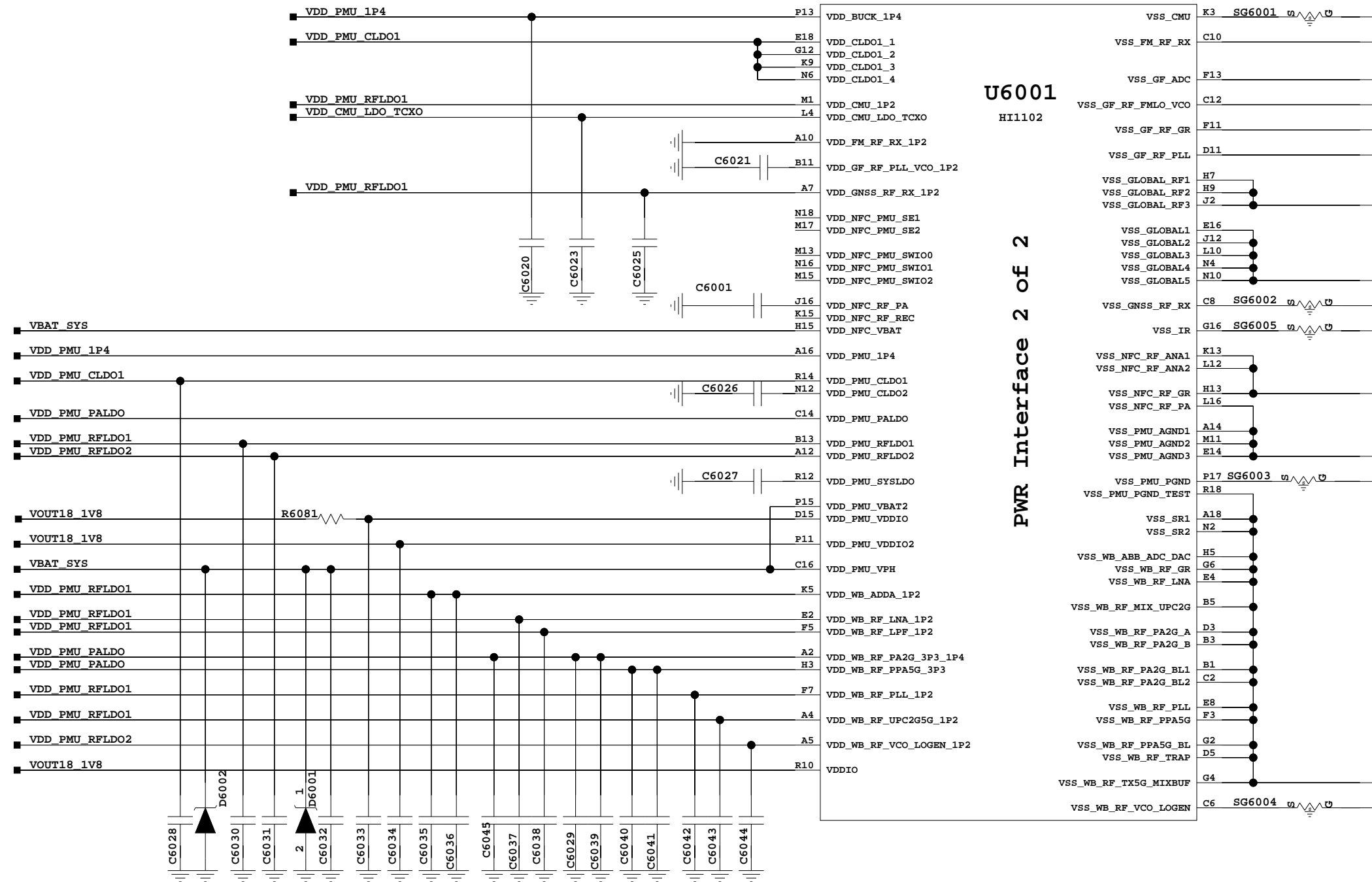
D

D

The type and specification of the components refer to the BOM

				NA	20140523
				ECA NO	DATE
DESIGNED	yuanhailin/00265042	Boston_Ultra2			
REVIEWED	yangjiangtao/00141174				
		VER	PART_NUMBER	SHEET 59 OF 60	
		A	03022MYN	HUAWEI TECH CO.,LTD.	

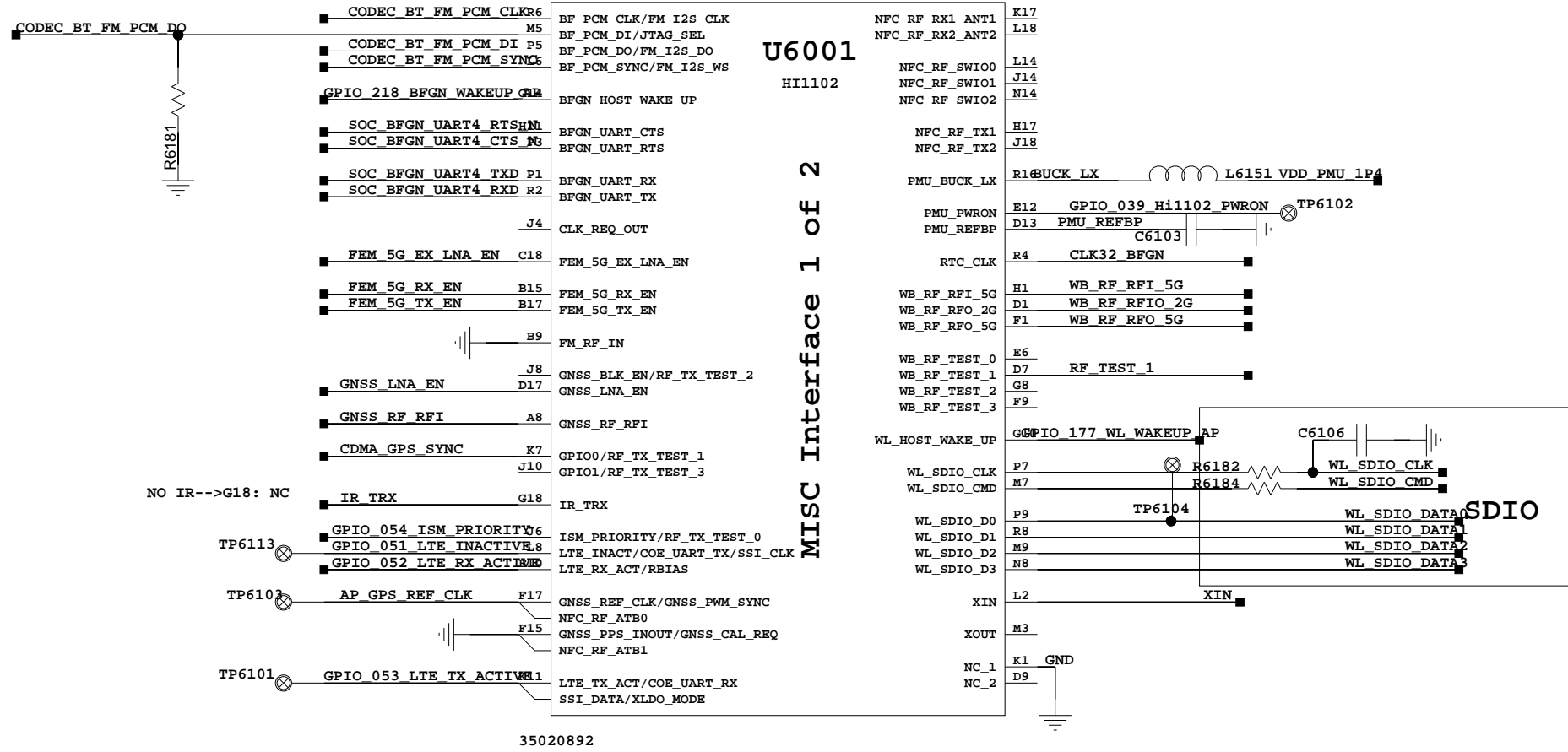
60 NC_POWER



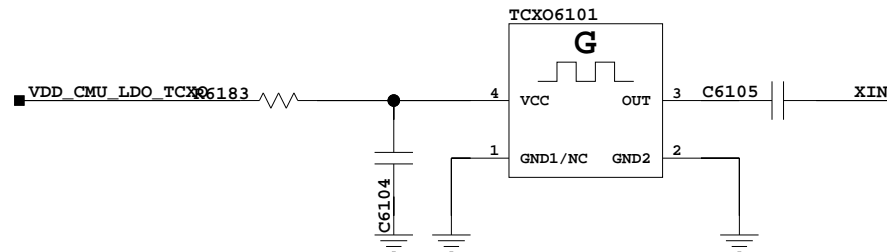
The type and specification of the components refer to the BOM

				HL1BLNM	2015-11-10
				ECA NO	DATE
DESIGNED	Yangyukun 00258672	HL1DUKM		03024CPX_SCHZH	
REVIEWED	Liuwencheng 00337443				
		VER	PART_NUMBER	SHEET 52_HI1102_POWER	
		B	03024CPX	OF 60	
				HUAWEI TECH CO.,LTD.	

61 NC_BB



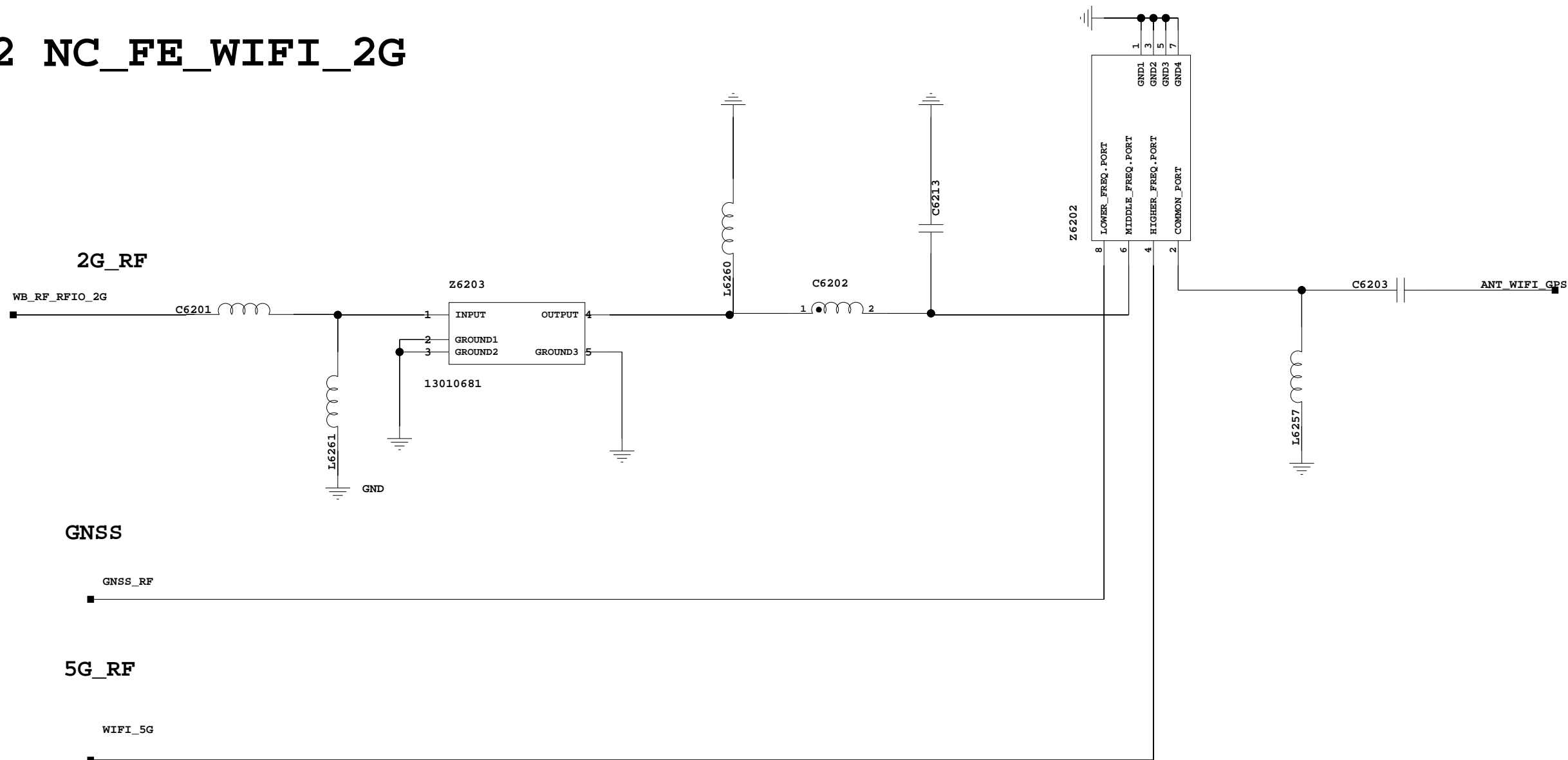
TCXO 38.4MHz



The type and specification of the components refer to the BOM

				HL1BLNM	2015-11-10
				ECA NO	DATE
DESIGNED	Yangyukun 00258672	HL1DUKM		03024CPX_SCHZH	
REVIEWED	Liuwencheng 00337443				
		VER	PART_NUMBER	SHEET 53_HDF1026BB	
		B	03024CPX	HUAWAI TECH CO.,LTD.	

62 NC_FE_WIFI_2G



GNSS

GNSS_RF

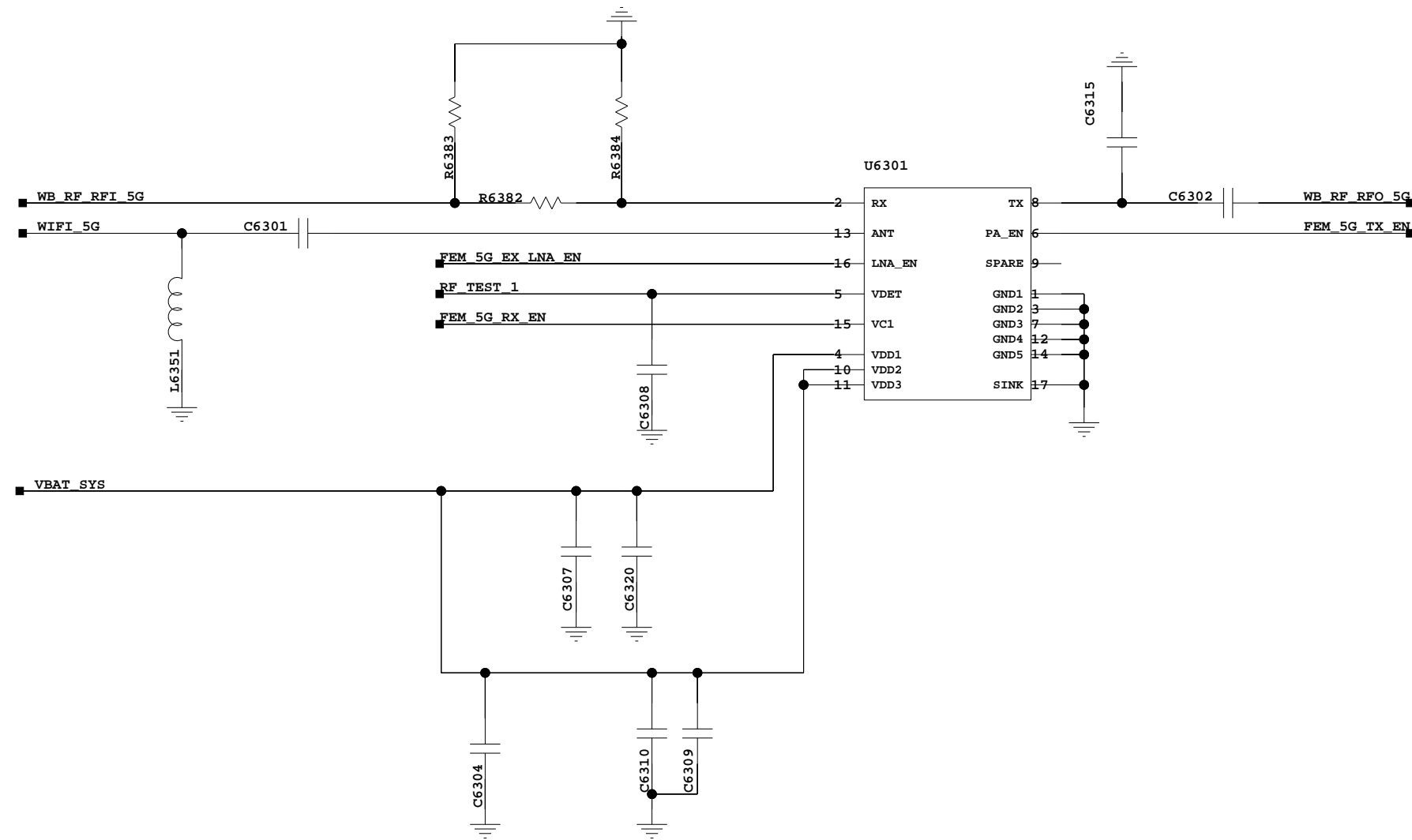
5G_RF

WIFI_5G

The type and specification of the components refer to the BOM

				HL1BLNM	2015-11-10
				ECA NO	DATE
DESIGNED	HEQUANTAO 00278224	HL1DUKM		03023NDR_SCHZH	
REVIEWED	LIZHAO 00213340				
		VER	PART_NUMBER	SHEET	54_HDF1025RF_FrontEnd
		A	03023NDR	HUAWEI TECH CO.,LTD.	

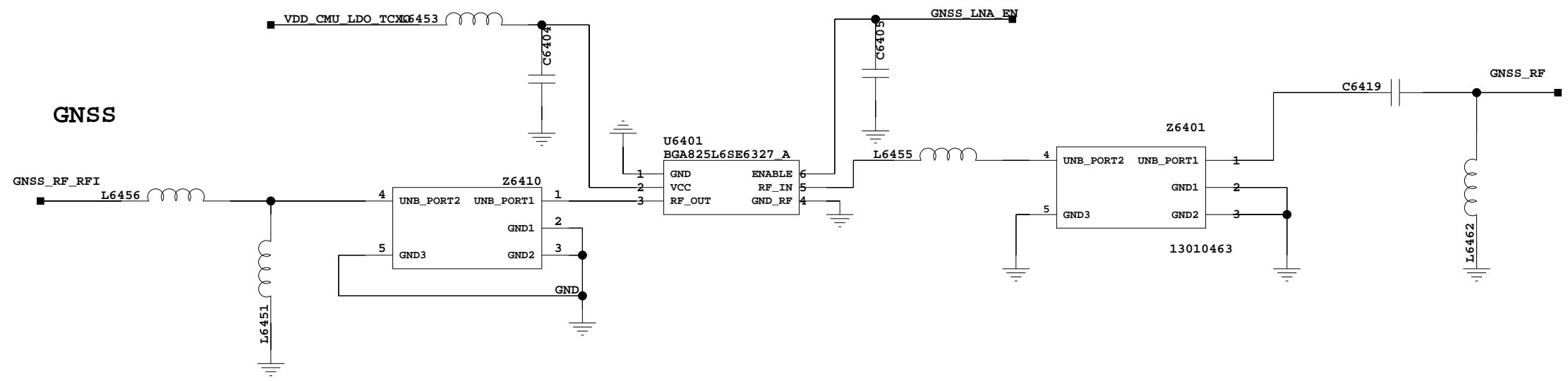
63 NC_FE_WIFI_5G



The type and specification of the components refer to the BOM

				HL1BLNM	2015-11-10
				ECA NO	DATE
DESIGNED	HEQUANTAO 00278224	HL1DUKM		03023NDR_SCHZH	
REVIEWED	LIZHAO 00213340				
		VER	PART_NUMBER	SHEET	55 Hi 02_35 FrontEnd_5G
		A	03023NDR	HUAWEI TECH CO.,LTD.	

64 NC_GPS



The type and specification of the components refer to the BOM

				HL1BLNM	2015-11-10
				ECA NO	DATE
DESIGNED	HEQUANTAO 00278224	HL1DUKM		03023NDR_SCHZH	
REVIEWED	LIZHAO 00213340				
		VER	PART_NUMBER	SHEET	54_HDF1025RF_FrontEnd
		A	03023NDR	HUAWEI TECH CO.,LTD.	

65 RES

A

A

B

B

C

C

D

D

The type and specification of the components refer to the BOM

				NA	20114-01-08
				ECA NO	DATE
DESIGNED	Yangyukun 00258672	HL1BKLM		03024CPX_SCHZH	
REVIEWED	Liuwencheng 00337443				
		VER	PART_NUMBER	SHEET 65 reserved	
		B	03024CPX	HUAWEI TECH CO.,LTD.	

66 RES

A

A

B

B

C

C

D

D

The type and specification of the components refer to the BOM

				NA	20114-01-08
				ECA NO	DATE
DESIGNED	Yangyukun 00258672	HL1BKLM		03024CPX_SCHZH	
REVIEWED	Liuwencheng 00337443				
		VER	PART_NUMBER	SHEET 66 reserved	
		B	03024CPX	HUAWEI TECH CO.,LTD.	

67 RES

A

A

B

B

C

C

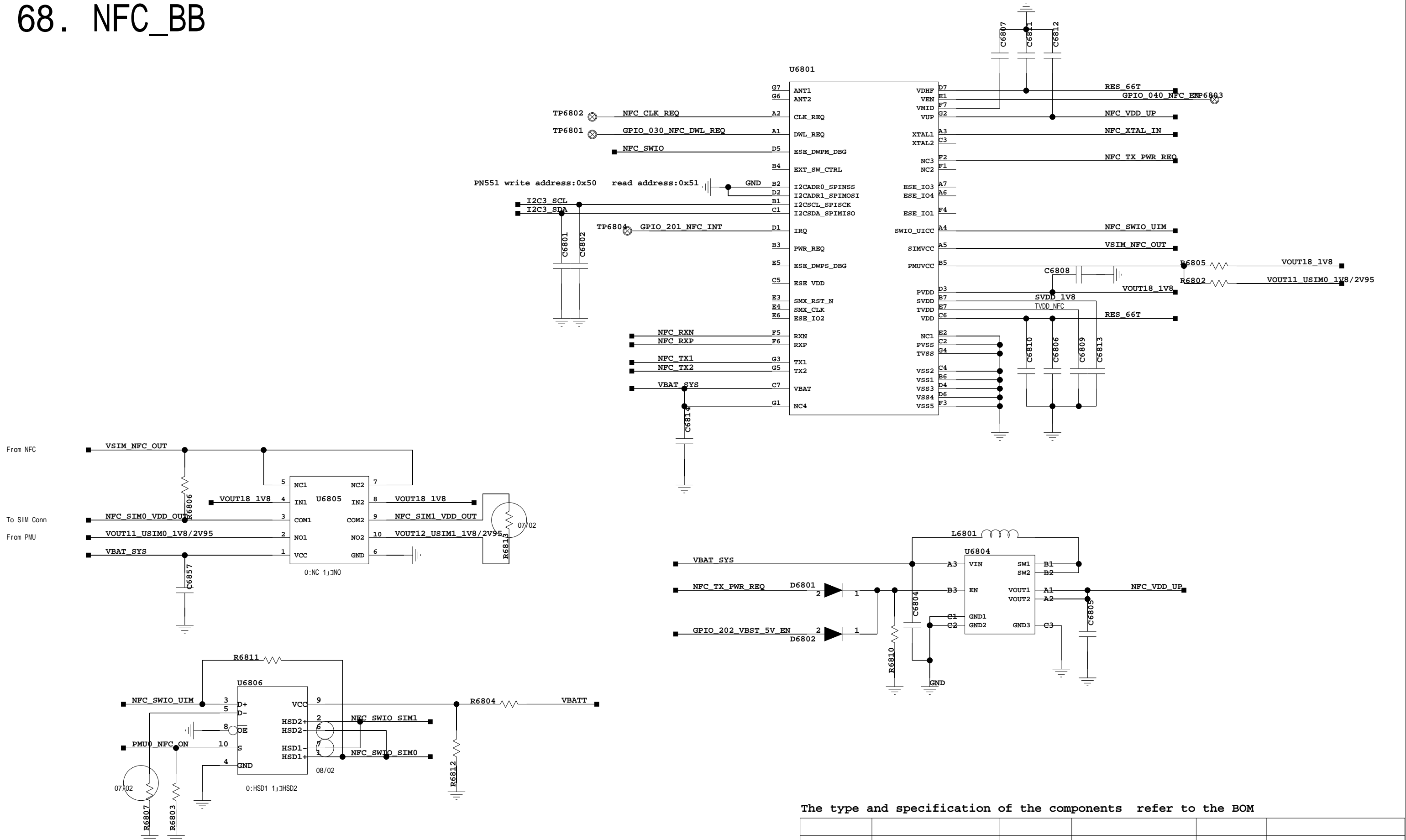
D

D

The type and specification of the components refer to the BOM

				NA	20114-01-08
				ECA NO	DATE
DESIGNED	Yangyukun 00258672	HL1BKLM		03024CPX_SCHZH	
REVIEWED	Liuwencheng 00337443				
		VER	PART_NUMBER	SHEET 67 reserved	
		B	03024CPX	HUAWEI TECH CO.,LTD.	

68. NFC_BB



The type and specification of the components refer to the BOM

				NA	2017/05/05
				ECA NO	DATE
DESIGNED	lixuan 00383474	HL1BKLM			
REVIEWED	liuwencheng 00337443				
		VER	PART_NUMBER	SHEET 68 NFC_BB79	
		B		HUAWEI TECH CO.,LTD.	

△此圖、NFC_ON/反キ ミマツタリトサテ部録サミミニ關シテ 7R68037/93キキカ行イワルナシトヒソクイキス-クシカホケリ

NFCヒソクイキBOM」7R68027R68067R68117R6813 DNI」サ
ソケリ。「NFCマツリオ訂キSMT

NFCオソクイキBOM」7R68027R68067R68117R6813マツリオ訂キSMT」サ
U68057U68067C68577R68127R68047R6805 DNI

67 RES

A

A

B

B

C

C

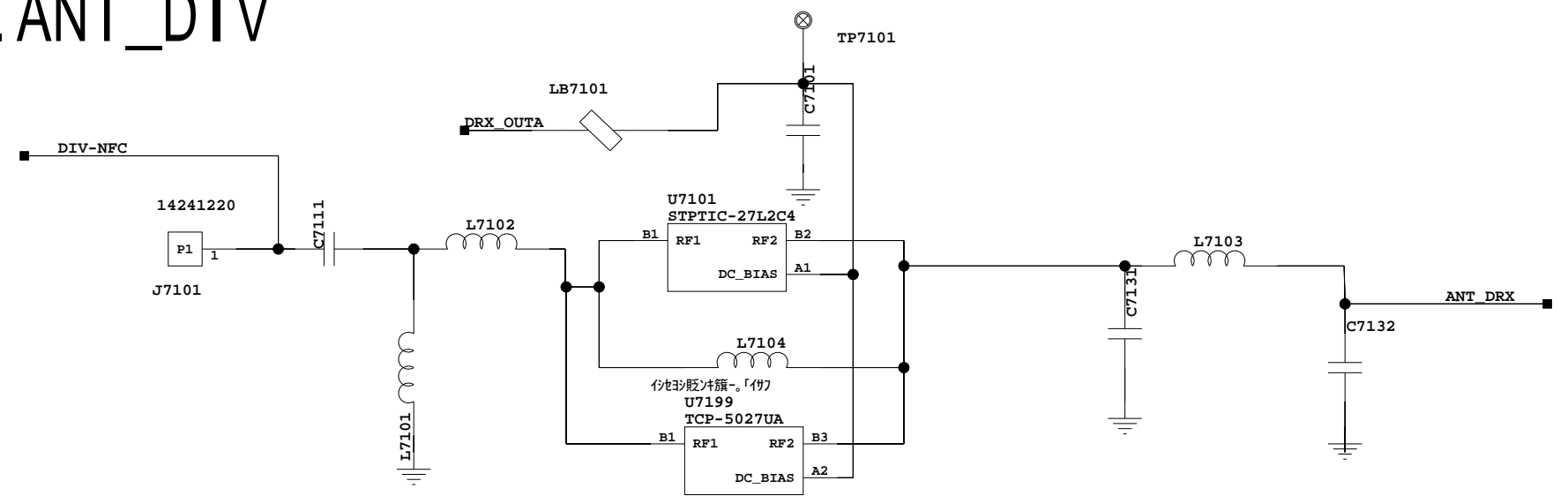
D

D

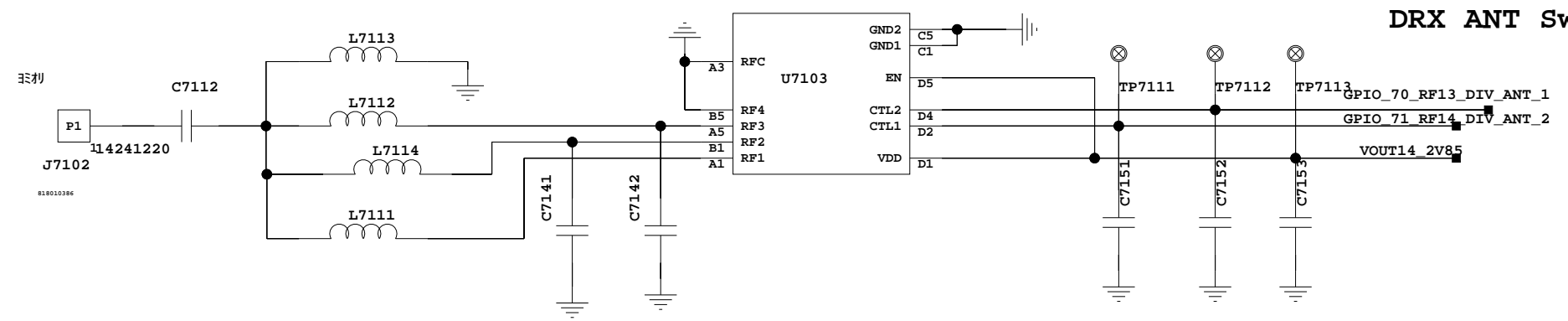
The type and specification of the components refer to the BOM

				NA	20114-01-08
				ECA NO	DATE
DESIGNED	Yangyukun 00258672	HL1BKLM		03024CPX_SCHZH	
REVIEWED	Liuwencheng 00337443				
		VER	PART_NUMBER	SHEET 69 reserved	
		B	03024CPX	HUAWEI TECH CO.,LTD.	

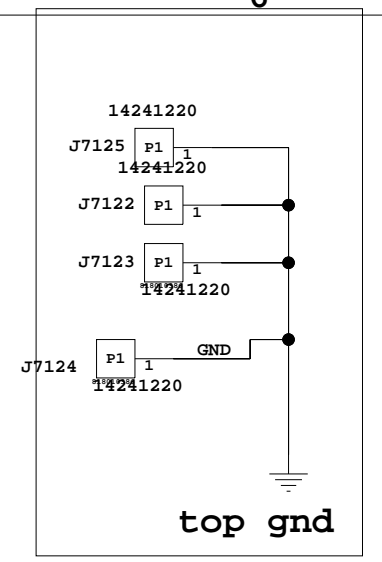
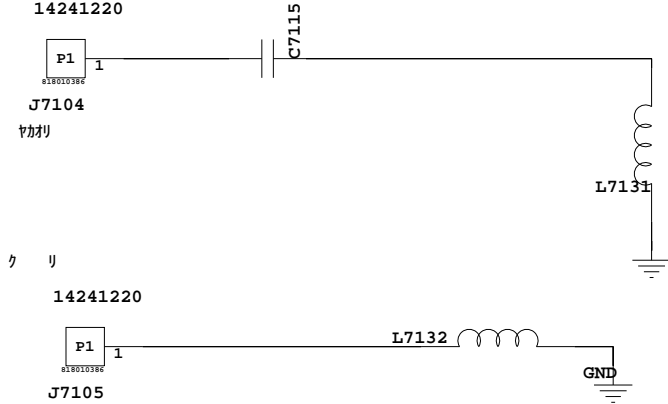
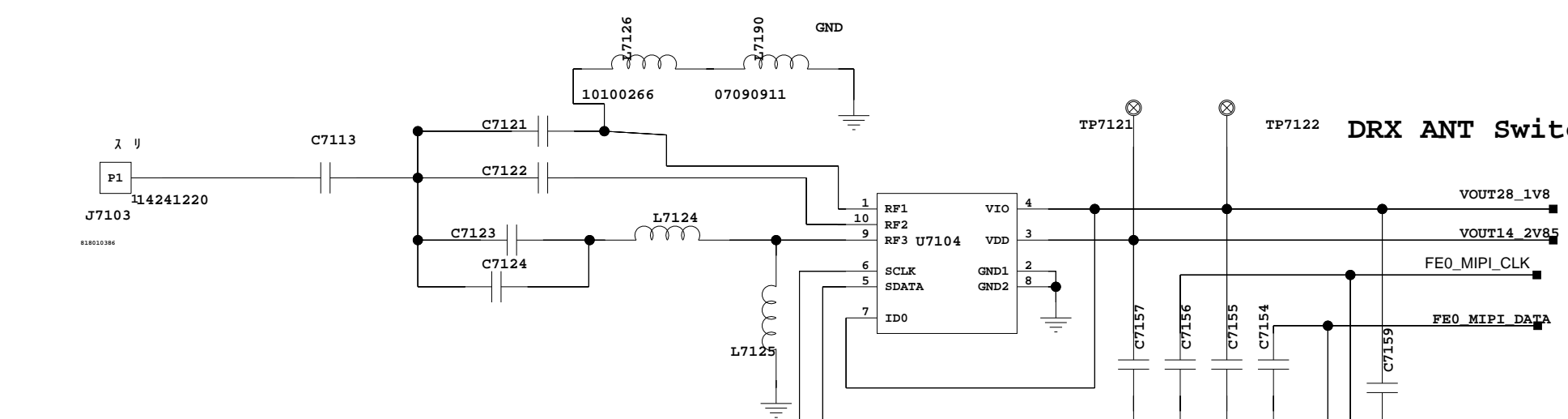
71.ANT_DIV



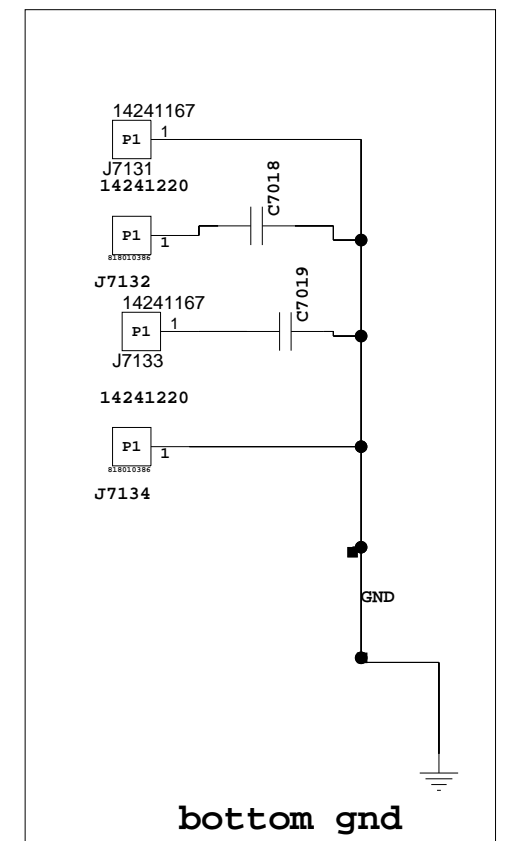
DRX ANT Switch1



DRX ANT Switch2



top gnd



bottom gnd

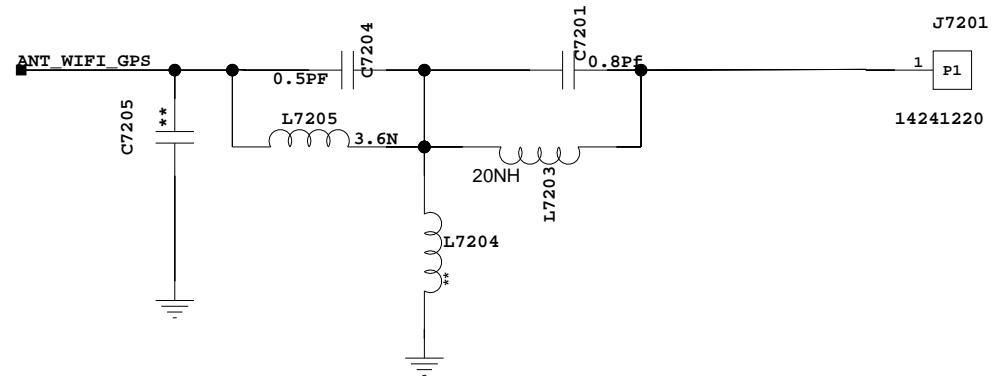
The type and specification of the components refer to the BOM

DESIGNED	Yangyukun 00258672	HL1BKLM		NA	20114-01-08
REVIEWED	Liuwencheng 00337443	HL1BKLM		ECA NO	DATE
		VER	PART_NUMBER	SHEET 71 ANT_DIV0	
		B	03024CPX	HUAWEI TECH CO.,LTD.	

72 ANT_GPS_WIFI

A

2.4G/5GWiFi&GPSAnt



B

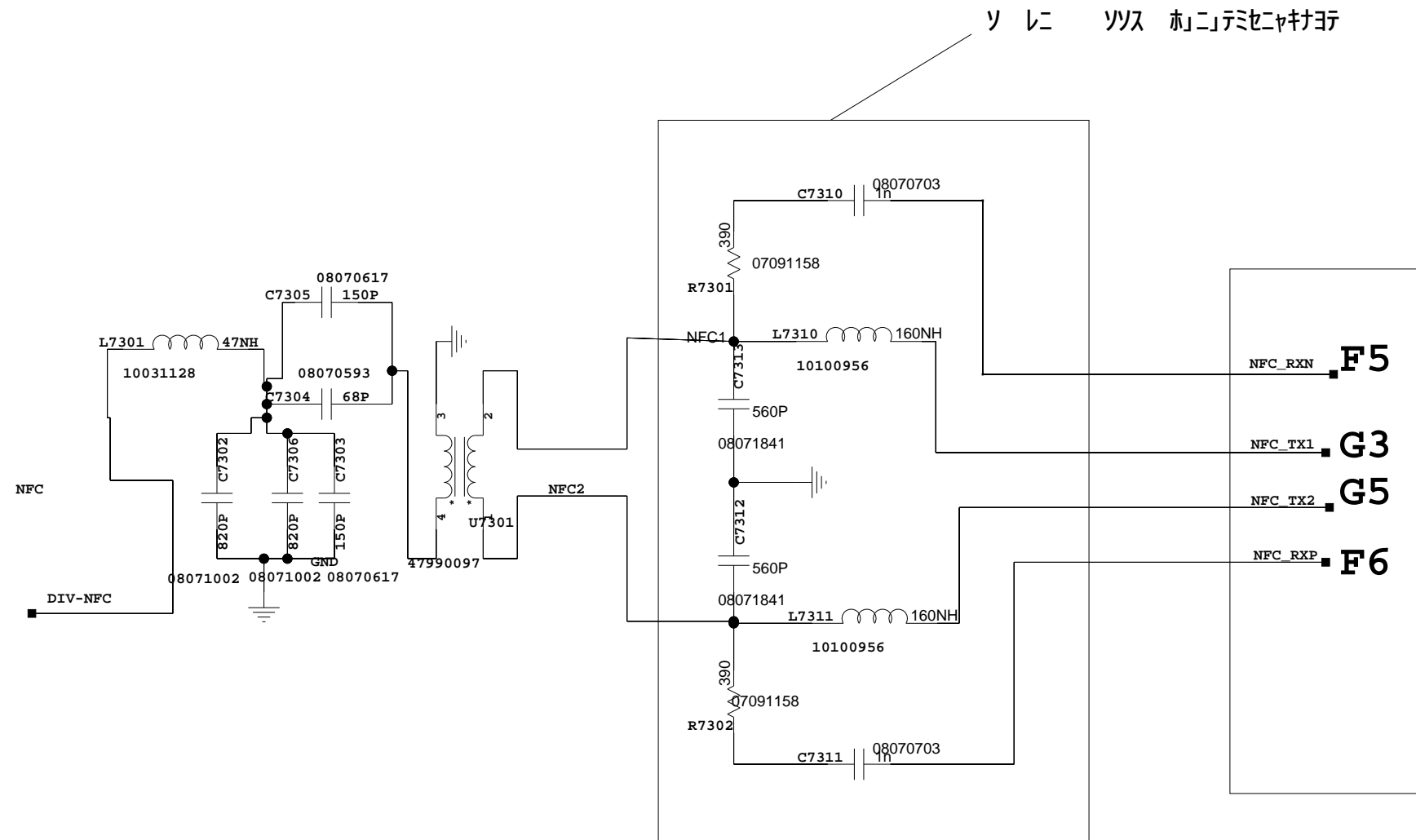
C

D

The type and specification of the components refer to the BOM

				NA	20114-01-08
				ECA NO	DATE
DESIGNED	Yangyukun 00258672	HL1BKLM		03024CPX_SCHZH	
REVIEWED	Liuwencheng 00337443				
		VER	PART_NUMBER	SHEET 72 ANT_GPS_WIFI	
		B	03024CPX	HUAWEI TECH CO.,LTD	

73. ANT_NFC



ミ 歴 イ モ イ シ ヨ リ ミ ツ ネ キ ネ マ チ ャ ス ン NFC ミ セ ニ ヤ ム

The type and specification of the components refer to the BOM

				NA	20114-01-08
				ECA NO	DATE
DESIGNED	Yangyukun 00258672	HL1BKLM		03024CPX_SCHZH	
REVIEWED	Liuwengcheng 00337443				
		VER	PART_NUMBER	SHEET 73 ANT_NF60	
		B	03024CPX	HUAWEI TECH CO.,LTD.	

74. ANT_CELL_MIMO

A

A

B

B

C

C

D

D

The type and specification of the components refer to the BOM

				NA	20114-01-08
				ECA NO	DATE
DESIGNED	Yangyukun 00258672	HL1BKLM		03024CPX_SCHZH	
REVIEWED	Liuwencheng 00337443				
		VER	PART_NUMBER	SHEET 74 ANT_CELL_MIMO	
		B	03024CPX	HUAWEI TECH CO.,LTD.	

1

2

3

4

5

6

75. Reserved

A

A

B

B

C

C

D

D

The type and specification of the components refer to the BOM

				NA	20114-01-08
				ECA NO	DATE
DESIGNED	Yangyukun 00258672	HL1BKLM		03024CPX_SCHZH	
REVIEWED	Liuwencheng 00337443				
		VER	PART_NUMBER	SHEET 75 Reserved	
		B	03024CPX	HUAWEI TECH CO.,LTD.	

1

2

3

4

5

6

76. Reserved

A

A

B

B

C

C

D

D

The type and specification of the components refer to the BOM

				NA	20114-01-08
				ECA NO	DATE
DESIGNED	Yangyukun 00258672	HL1BKLM		03024CPX_SCHZH	
REVIEWED	Liuwencheng 00337443				
		VER	PART_NUMBER	SHEET 76 Reserved	
		B	03024CPX	HUAWEI TECH CO.,LTD.	

77. Reserved

A

A

B

B

C

C

D

D

The type and specification of the components refer to the BOM

				NA	20114-01-08
				ECA NO	DATE
DESIGNED	Yangyukun 00258672	HL1BKLM		03024CPX_SCHZH	
REVIEWED	Liuwencheng 00337443				
		VER	PART_NUMBER	SHEET 77 reserved	
		B	03024CPX	HUAWEI TECH CO.,LTD.	

78. Reserved

A

A

B

B

C

C

D

D

The type and specification of the components refer to the BOM

				NA	20114-01-08
				ECA NO	DATE
DESIGNED	Yangyukun 00258672	HL1BKLM		03024CPX_SCHZH	
REVIEWED	Liuwencheng 00337443				
		VER	PART_NUMBER	SHEET 78 Reserved	
		B	03024CPX	HUAWEI TECH CO.,LTD.	

79. Reserved

A

A

B

B

C

C

D

D

The type and specification of the components refer to the BOM

				NA	20114-01-08
				ECA NO	DATE
DESIGNED	Yangyukun 00258672	HL1BKLM		03024CPX_SCHZH	
REVIEWED	Liuwencheng 00337443				
		VER	PART_NUMBER	SHEET 79 Reserved	
		B	03024CPX	HUAWEI TECH CO.,LTD.	