

Baseband Schematic

1. Contents
2. RES
3. SOC PWR1
4. SOC PWR2
5. SOC PWR3
6. SOC HS Interface
7. SOC GPIO Interface
8. SOC RF Interface
9. SOC GND & NC
10. PMU LDO
11. PMU BUCK
12. PMU MISC & BUCKBOOST
13. HI6422
14. UFS and LPDDR4
15. Battery & Fuel gauge
16. Charge Management
17. LCD Interface
18. Flash /Front CAM
19. Main CAM
20. USB
21. Main FPC
22. Codec HI6403
23. Direct Charger
24. SMART PA
25. Audio
26. Headphone
27. X-Sensor
28. SIM Card/SD
29. LED /KEY/IR
30. Test Point/Shielding

MODEM Schematic



该文档是极速PDF编辑器生成，
如果想去掉该提示，请访问并下载：
<http://www.jisupdfeditor.com/>

31. RF Interface
32. APT Power
33. RF Transceiver_0
34. RF FRONT END HB
35. RF FRONT END B42
36. RF FRONT END MB
37. RF Front End LB
38. RF Front End Switch /Main ANT
39. RF Front End Diversity
40. RF Front End Diversity
41. Reserved for CDMA Modem
42. Reserved for CDMA Modem
43. Reserved for CDMA Modem
44. Reserved for CDMA Modem
45. Reserved for CDMA Modem
46. Reserved for CDMA Modem
47. Reserved for CDMA Modem
48. Reserved for CDMA Modem
49. Reserved
50. Reserved
51. BCM43455 BB
52. BCM43455 POWER
53. Reserved
54. WALN RF0
55. WLAN RF1
56. GPS
57. NFC
58. RF Transceiver2
59. Reserved
60. ANT Tuner

The type and specification of the components refer to the BOM

					07-08-2017_09:08
				NA	2017.12.23
				ECA NO	DATE
DESIGNED	BYD	荣耀V10			
REVIEWED	BYD				
		VER	PART_NUMBER	SHEET 1 Content 59	
		A		HUAWEI TECH CO.,LTD.	

2.RES



该文档是极速PDF编辑器生成，
如果想去掉该提示，请访问并下载：
<http://www.jisupdfeditor.com/>

A

A

B

B

C

C

D

D

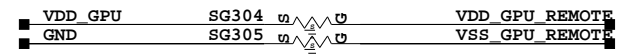
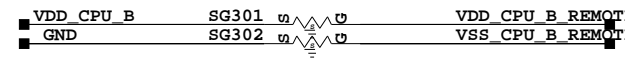
The type and specification of the components refer to the BOM

					07-08-2017_09:09
				NA	2017.12.23
				ECA NO	DATE
DESIGNED	BYD	荣耀V10			
REVIEWED	BYD				
		VER	PART_NUMBER	SHEET 2 REOF 79	
				HUAWEI TECH CO.,LTD.	

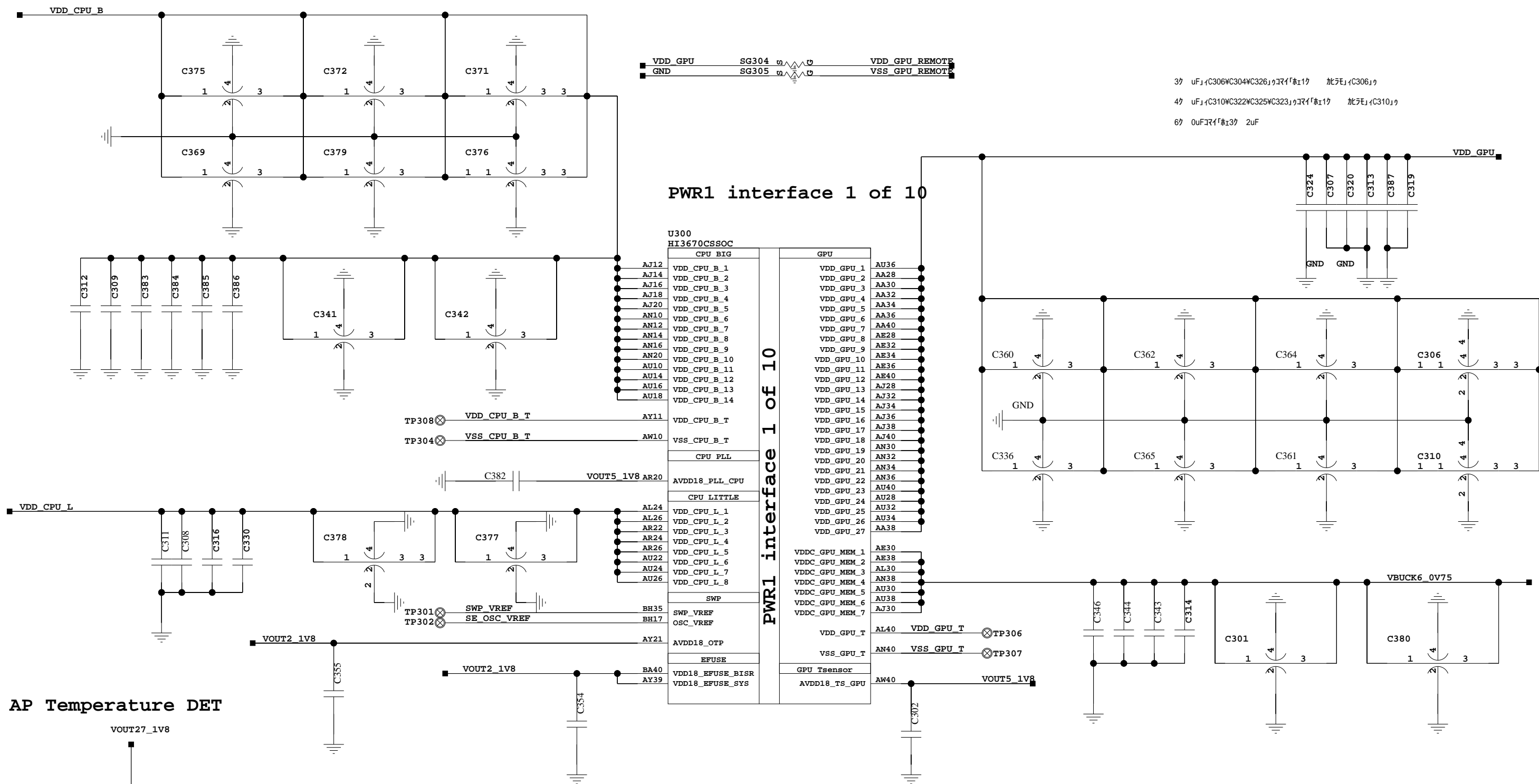
3.SOC PWR1



该文档是极速PDF编辑器生成，
如果想去掉该提示，请访问并下载：
<http://www.jisupdfeditor.com/>



- 3) uF, C306#C304#C326, 加无, C306
- 4) uF, C310#C322#C325#C323, 加无, C310
- 6) 0uF, 加无, 2uF



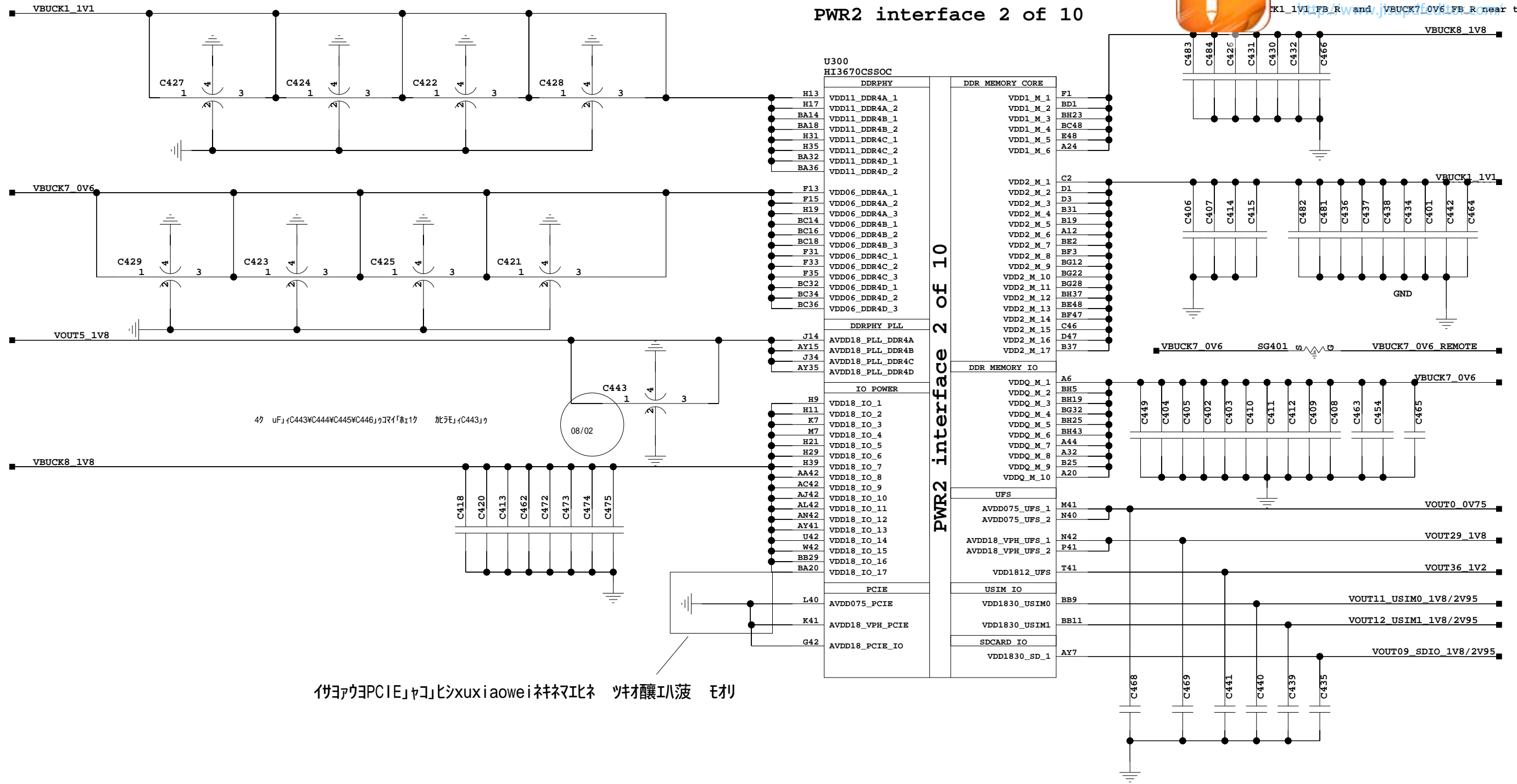
The type and specification of the components refer to the BOM

				NA	2017.12.23
				ECA NO	DATE
DESIGNED	BYD	荣耀V10			
REVIEWED	BYD				
		VER	PART_NUMBER	SHEET 3 SOC PWR179	
		A		HUAWEI TECH CO.,LTD.	

4.SOC PWR2



该文档是极速PDF编辑器生成，
如果想去掉该提示，请访问并下载：
<http://www.jypdf.com/>



PWR2 interface 2 of 10

PWR2 interface 2 of 10

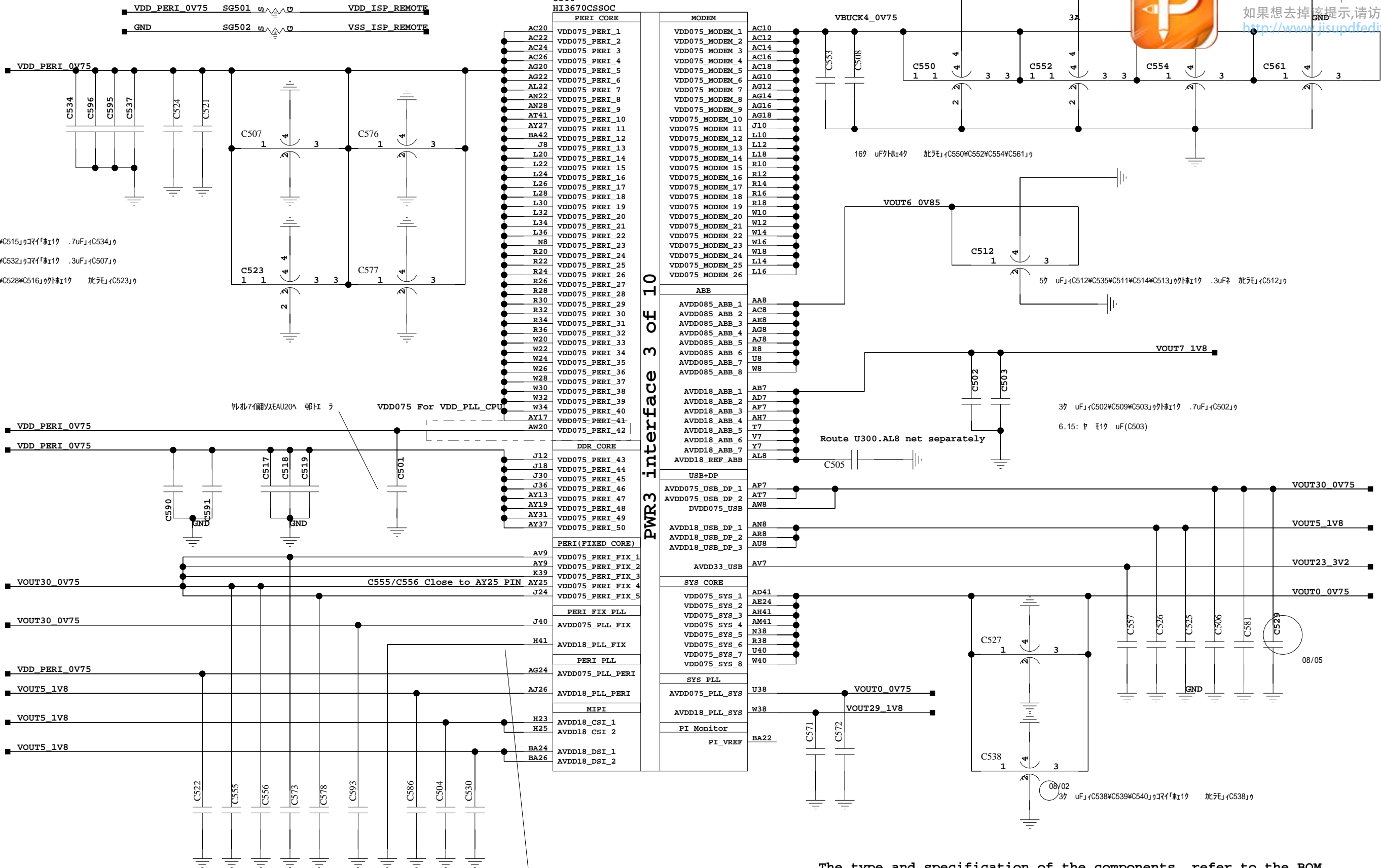
PCIEにxuxiaowei波を供給する部品

The type and specification of the components refer to the BOM

				NA	2017.12.23
				ECA NO	DATE
DESIGNED	BYD	荣耀V10			
REVIEWED	BYD				
		VER	PART_NUMBER	SHEET	4 SOC PWR2 79
		A		HUAWEI TECH CO.,LTD.	

5.SOC PWR3

PWR3 interface 3 of 10



PCIE、USB、xuxiaowei 等接口电源 设计参考

The type and specification of the components refer to the BOM

DESIGNED	BYD	荣耀V10	VER	PART_NUMBER	SHEET	5 SOOPWR39
REVIEWED	BYD		A		HUAWEI TECH CO.,LTD.	
					NA	2017.12.23
					ECA NO	DATE

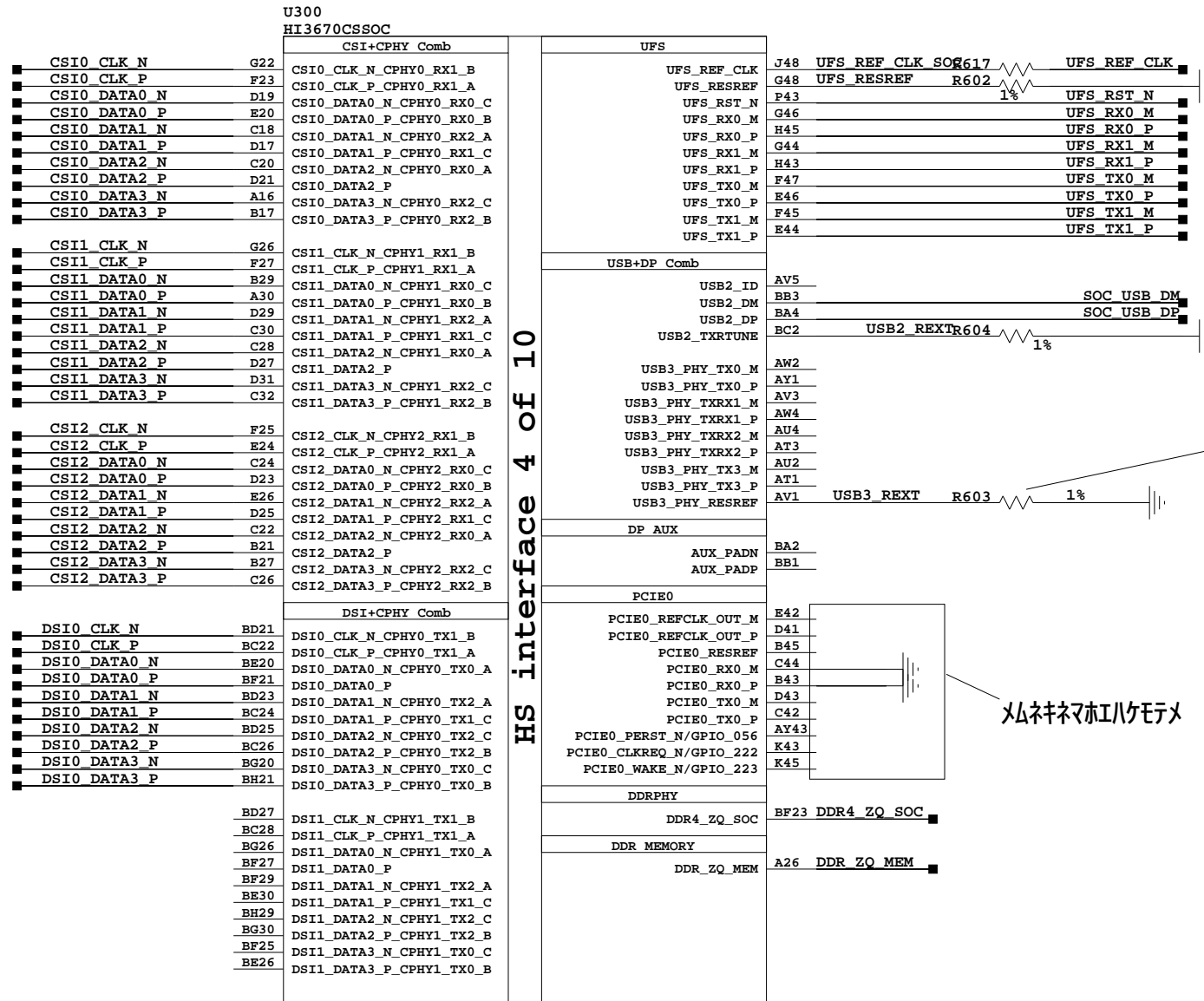


该文档是极速PDF编辑器生成，
如果想去掉该提示，请访问并下载：
<http://www.jisupdfeditor.com/>

6.SOC HS INTERFACE



该文档是极速PDF编辑器生成, 如果想去掉该提示,请访问并下载: <http://www.jisupdfeditor.com/>



イサアウヨUSB3.1「ヤコ」ヒシイメ魔ヒメ スナチャスア「チ

ムネキネマホ「ハケ」テメ スナスモキ「イ

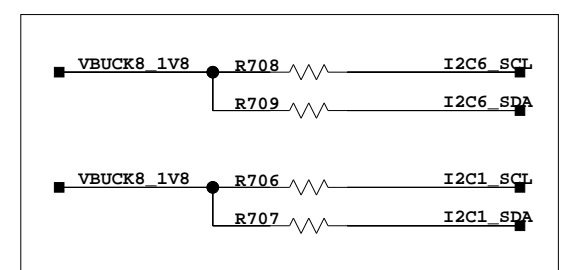
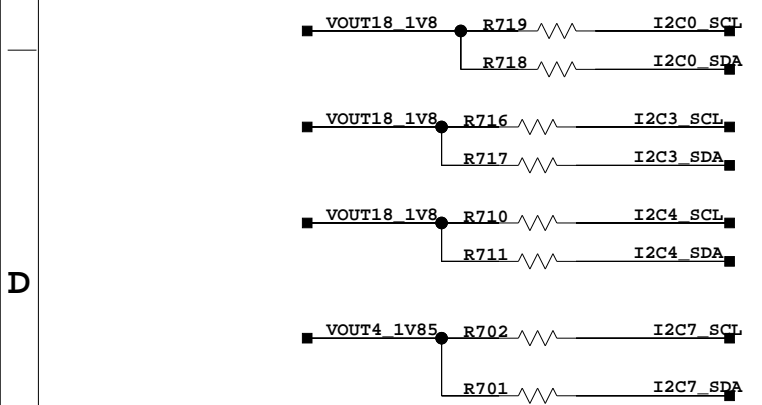
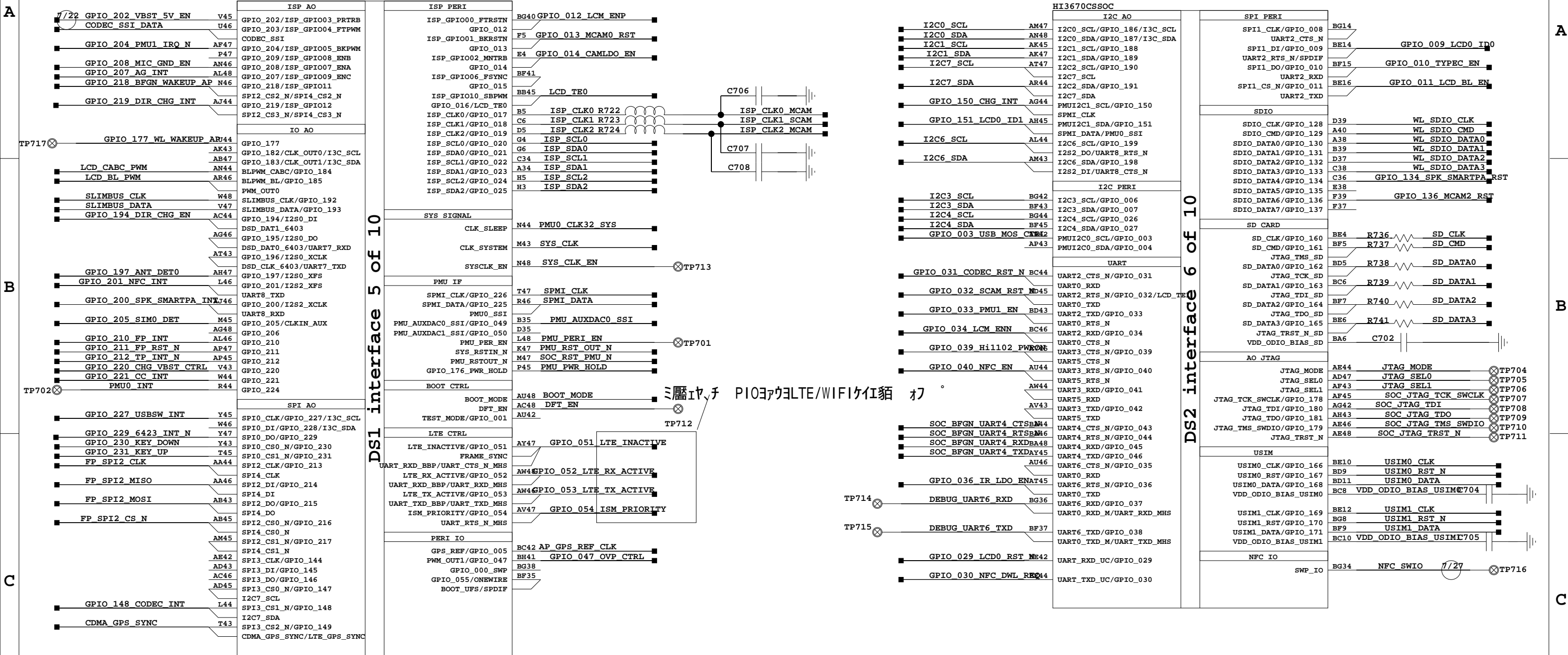
The type and specification of the components refer to the BOM

				NA	2017.12.23
				ECA NO	DATE
DESIGNED	BYD	荣耀V10			
REVIEWED	BYD				
		VER	PART_NUMBER	SHEET 6 SOC HS INTERFACE	
		A		HUAWEI TECH CO.,LTD.	

7.SOC GPIO INTERFACE1



该文档是极速PDF编辑器生成，
如果想去掉该提示，请访问并下载：
<http://www.jisupdfeditor.com/>



I2C For Charger Circuits pulled to BUCK8

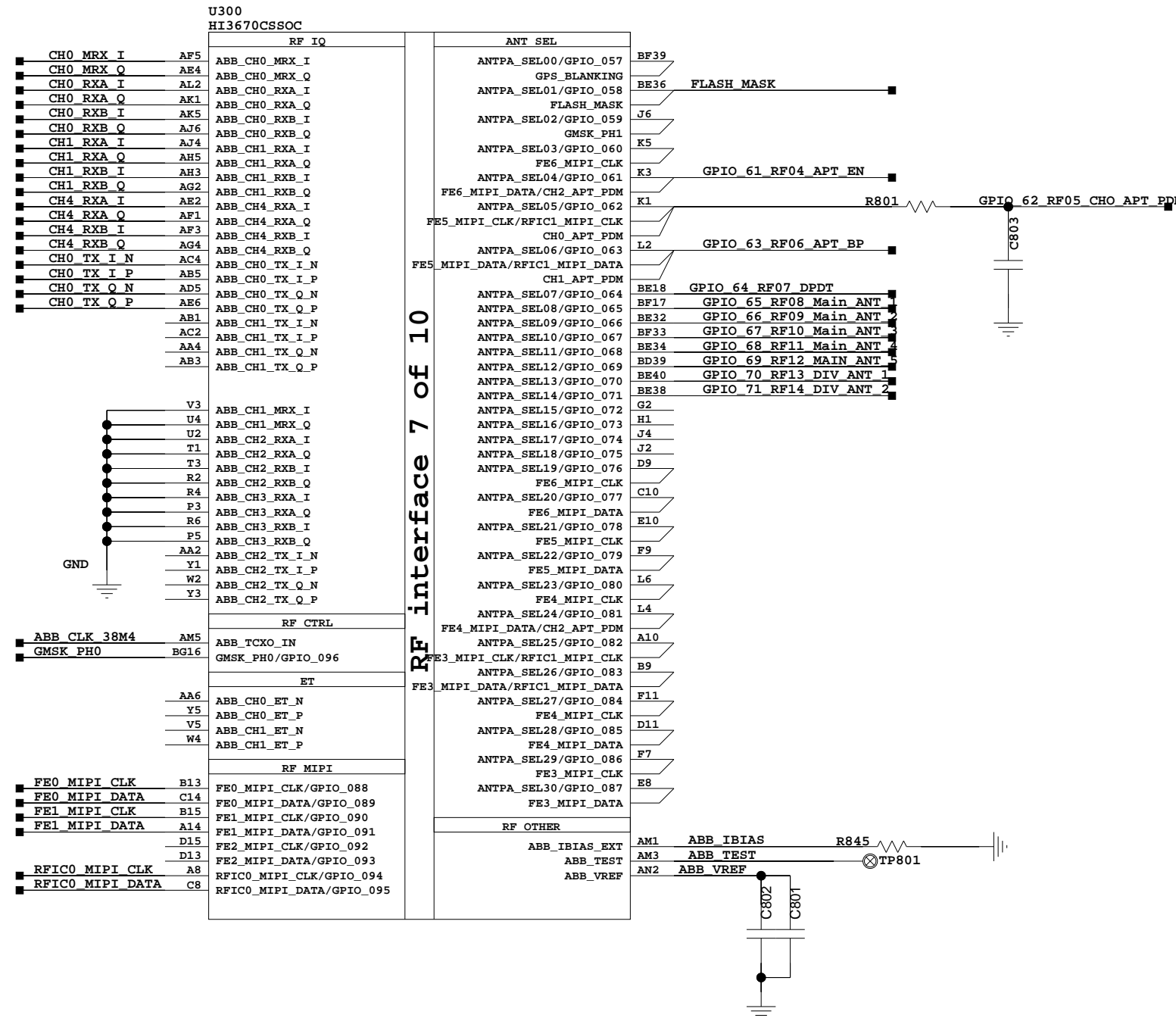
The type and specification of the components refer to the BOM

DESIGNED	BYD	荣耀V10	VER	PART_NUMBER	SHEET 7 SOC GPIO INTERFACE
REVIEWED	BYD		A		HUAWEI TECH CO.,LTD.

8.SOC RF INTERFACE



该文档是极速PDF编辑器生成，
如果想去掉该提示，请访问并下载：
<http://www.jisupdfeditor.com/>



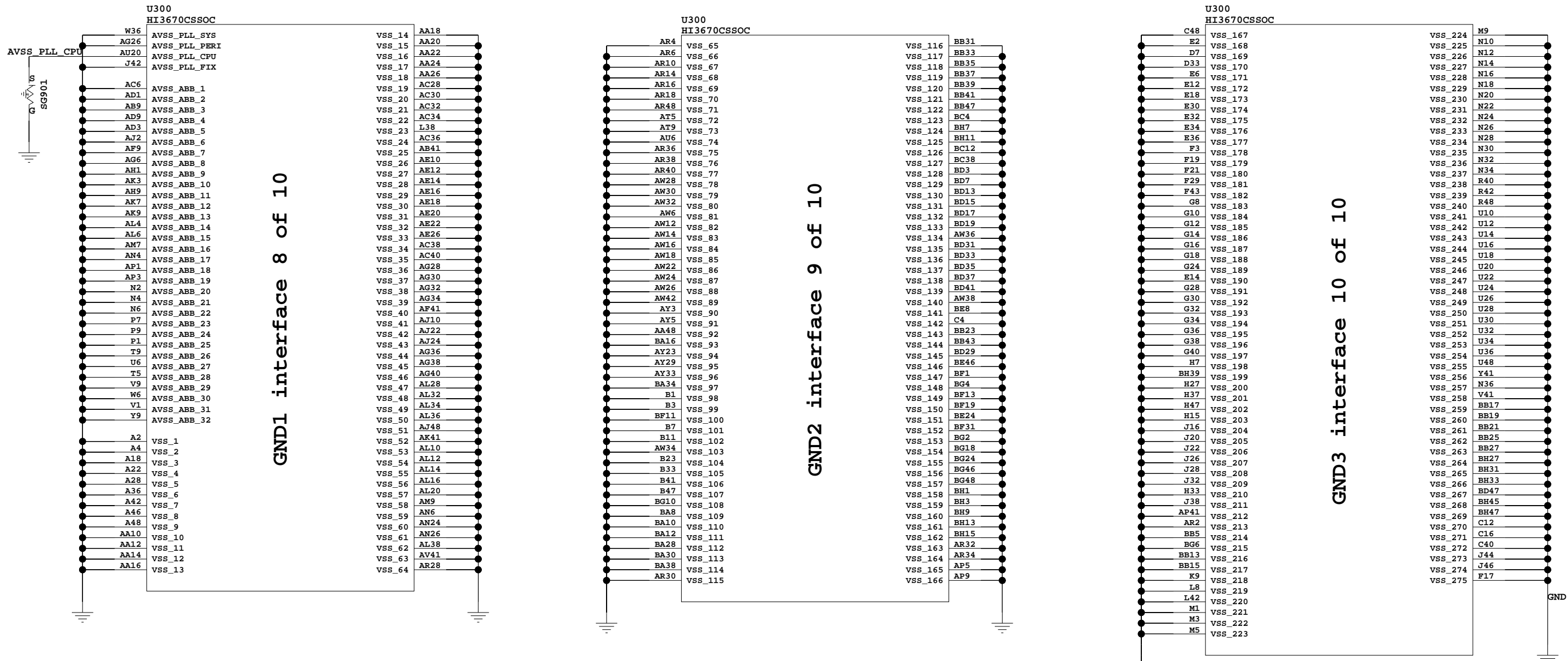
The type and specification of the components refer to the BOM

				NA	2017.12.23
				ECA NO	DATE
DESIGNED	BYD	荣耀V10			
REVIEWED	BYD				
		VER	PART_NUMBER	SHEET 8 SOC R0F 79	
		A		HUAWEI TECH CO.,LTD.	

9.SOC GND



该文档是极速PDF编辑器生成，
如果想去掉该提示，请访问并下载：
<http://www.jisupdfeditor.com/>

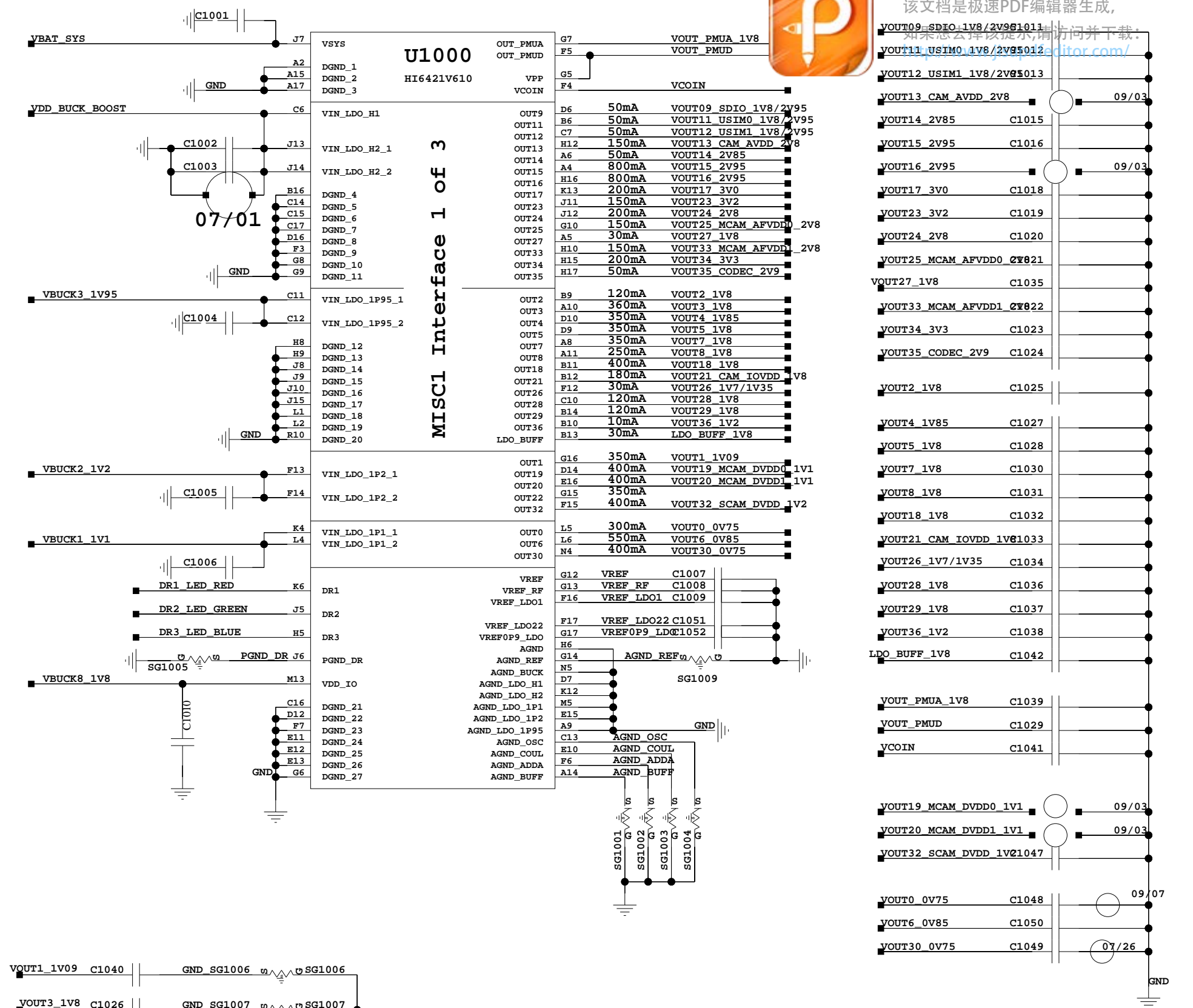


The type and specification of the components refer to the BOM

				NA	2017.12.23
				ECA NO	DATE
DESIGNED	BYD	荣耀V10			
REVIEWED	BYD				
		VER	PART_NUMBER	SHEET 9 SOC GND 79	
		A		HUAWAI TECH CO.,LTD.	

10. Hi6421 LDO

NUM	Vol	Current	Function
LDO0	0.75	300	SOC:UFS,SYS,PLL_SYS
LDO1	1.09	350	RFIC0 AVDD10
LDO2	1.8	120	SOC_EFUSE&HISEE
LDO3	1.8	360	RFIC AVDD18,LNA_VDD
LDO4	1.85	350	LCD&TP 1.8V IO
LDO5	1.8	350	SOC 1.8V AVDD
LDO6	0.85	550	SOC:AVDD085_ABB
LDO7	1.8	350	SOC:AVDD18_ABB
LDO8	1.8	250	IOVDD FOR Codec/RF
LDO9	1.8	50	SOC SDIO 1.8V
LDO11	1.8/2.95	50	SIM0
LDO12	1.8/2.95	50	SIM1
LDO13	2.8	150	CAM_AVDD
LDO14	2.85	50	RF switch VDD
LDO15	2.95	800	UFS_VCC
LDO16	2.95	800	SDCARD VDD
LDO17	3.3	200	MOTOR
LDO18	1.8	400	PERI IOVDD
LDO19	1.2	400	MCAM_DVDD0
LDO20	1.1	400	MCAM_DVDD1
LDO21	1.8	180	CAM IOVDD
LDO22	1.09	350	RESEVERD
LDO23	3.2	150	USB 2.0 PHY/PA
LDO24	2.8	200	Sensor VDD
LDO25	2.85	150	MCAM_AFVDD0
LDO26	1.7	30	38.4MHZ XO CORE
LDO27	1.8	30	HKADC,XOADC
LDO28	1.8	120	RF switch VIO
LDO29	1.8	120	VPH_UFS,PLL_SYS
LDO30	0.75	400	FIX 0.75 For SOC
LDO32	1.1	400	SlaveCAM_DVDD
LDO33	2.8	150	MCAM_AVDD0
LDO34	3.3	200	FP VDD
LDO35	2.9	50	CODEC_AVDD
LDO36	1.2	10	UFS refclk/rst IO



The type and specification of the components refer to the BOM

DESIGNED	BYD	荣耀V10	VER	PART_NUMBER	SHEET 10 PMDF LDO79
REVIEWED	BYD		A		HUAWEI TECH CO.,LTD.

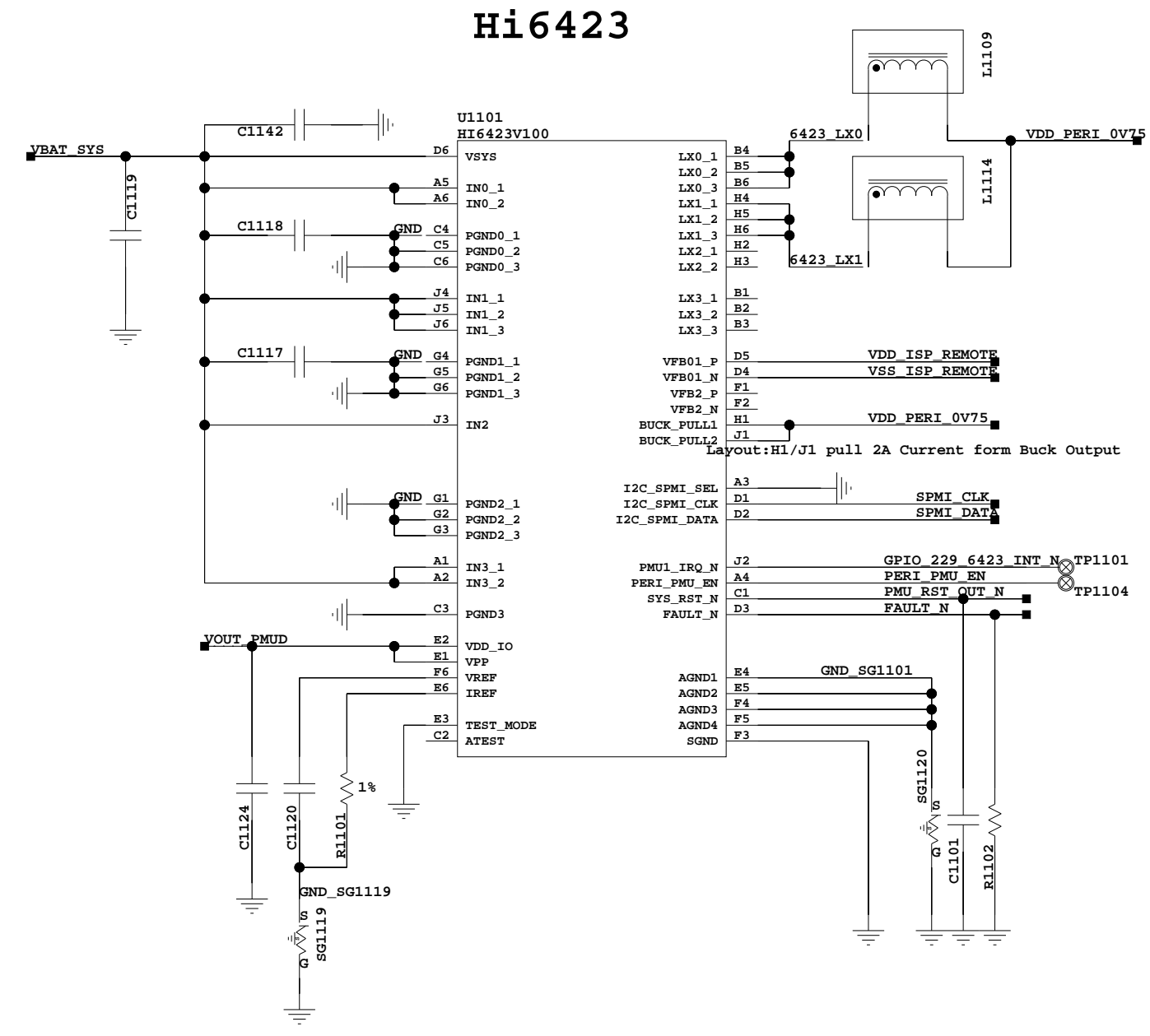
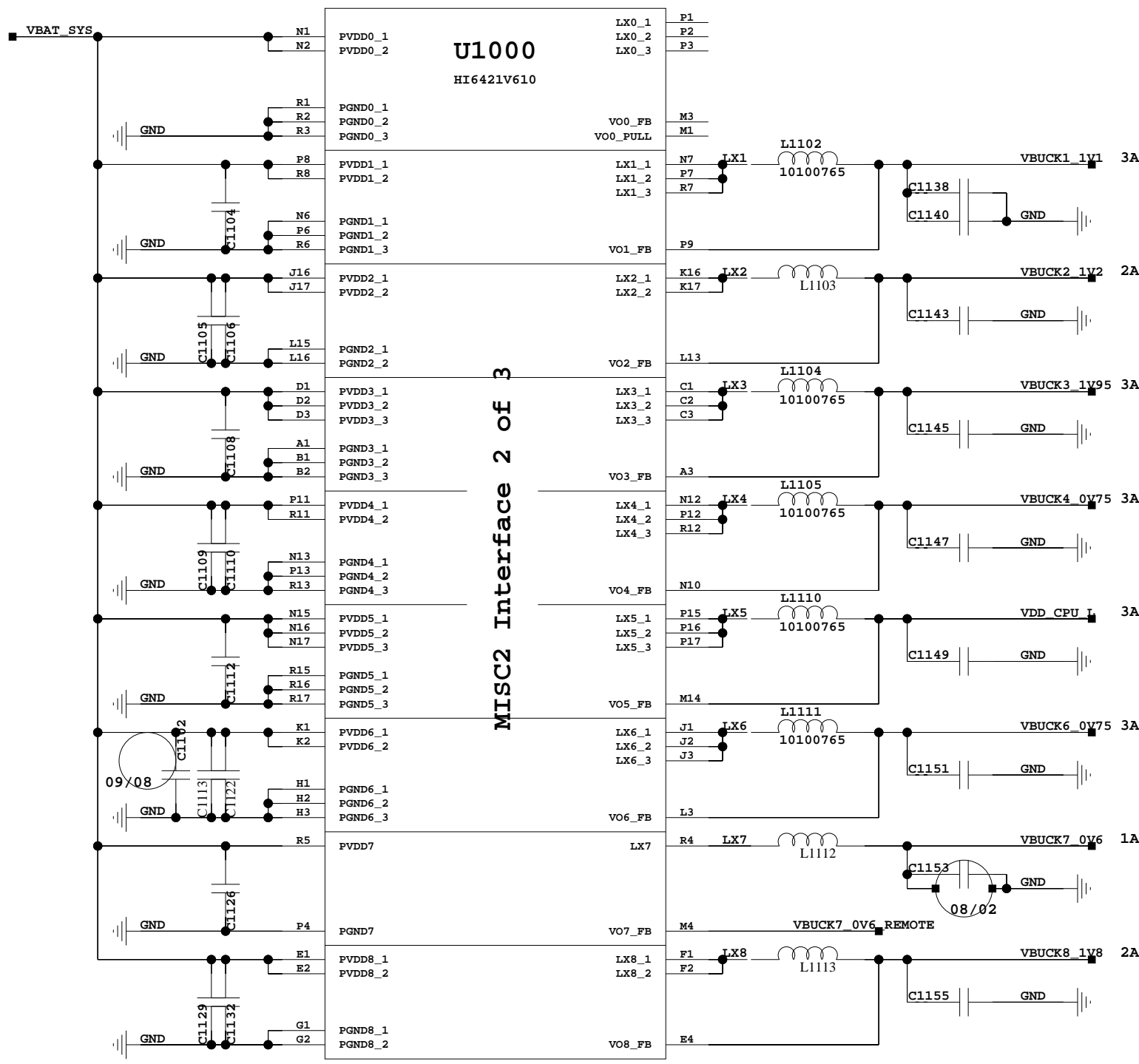


该文档是极速PDF编辑器生成，
如蒙志去掉该提示，请访问并下载：
<http://www.pdfeditor.com/>

11.Hi6421 BUCK AND Hi6423



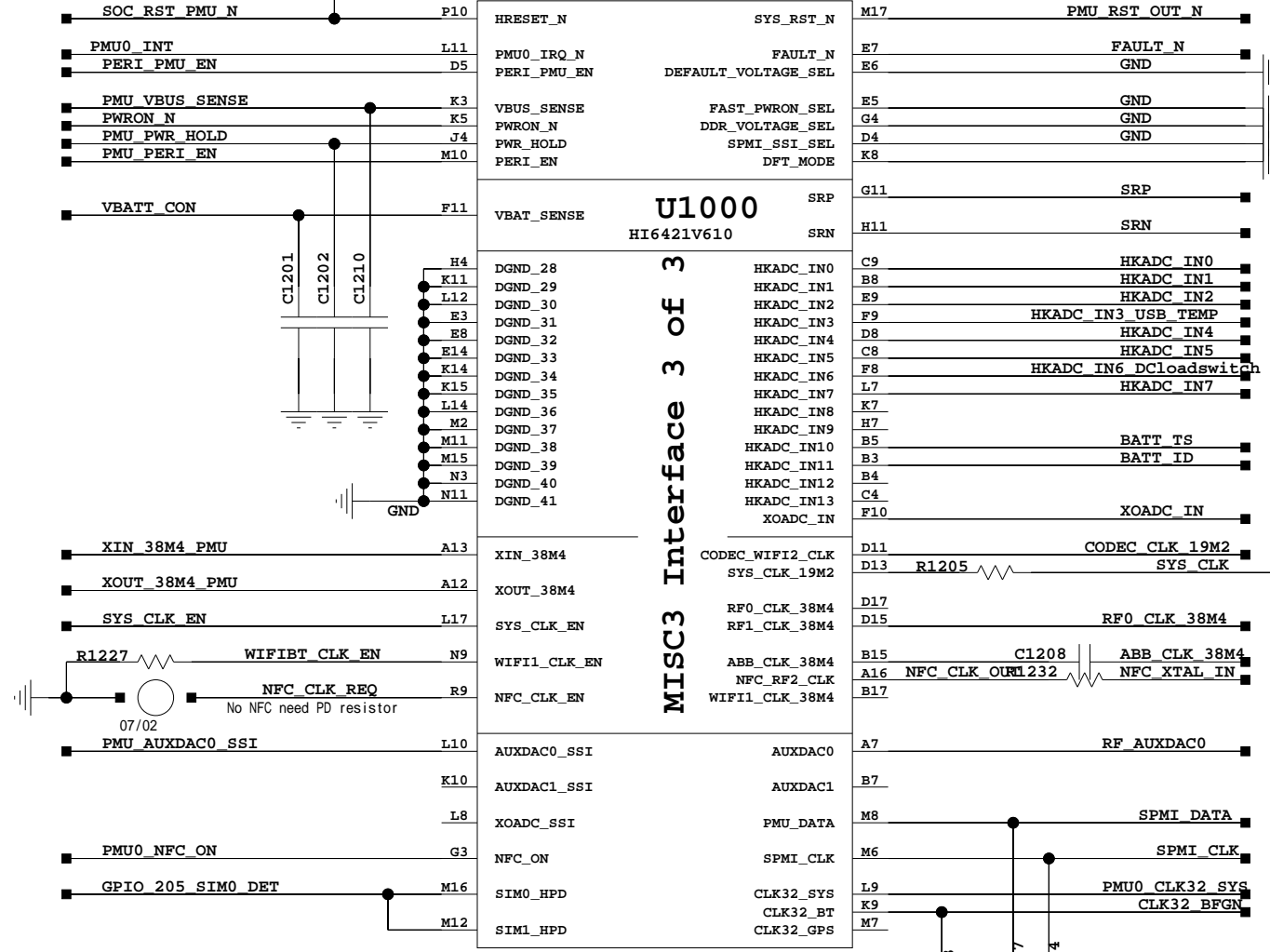
该文档是极速PDF编辑器生成，
如果想去掉该提示，请访问并下载：
<http://www.jsupdfeditor.com/>



The type and specification of the components refer to the BOM

DESIGNED	BYD	荣耀V10	VER	PART_NUMBER	SHEET	11 PMOBUCK9HI6423
REVIEWED	BYD		A		HUAWEI TECH CO.,LTD.	
					NA	2017.12.23
					ECA NO	DATE

12.Hi6421 DIGITAL INTERFACE



MISC3 Interface 3 of 3

DEFAULT_VOLTAGE_SEL	
0	1
BOSTON	V765

FAST_PWRON_SEL	
0	1
NORMAL	FAST

DDR_VOLTAGE_SEL	
0	1
LPDDR4x	LPDDR3

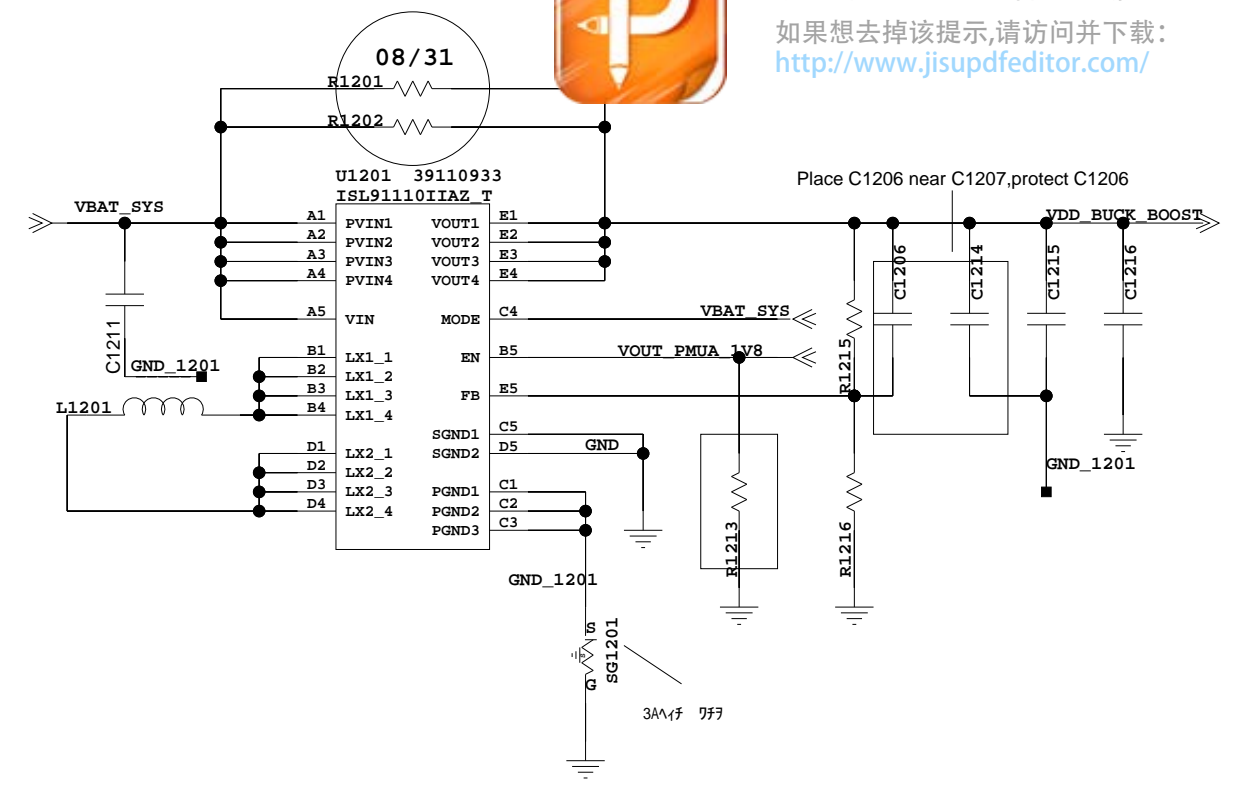
SPMI_SSI_SEL	
0	1
SPMI	SSI

HKADC IN0	APU Board ID0
HKADC IN1	APU Board ID1
HKADC IN2	APU Board ID2
HKADC IN3	TypeC TEMP
HKADC IN4	RFIC0 TEMP
HKADC IN5	Charge TEMP
HKADC IN6	RESERVED
HKADC IN7	AP TEMP
HKADC IN8	RESERVED
HKADC IN9	RFIC1 TEMP
HKADC IN10	BATT TEMP
HKADC IN11	BATT ID
HKADC IN12	RESERVED
HKADC IN13	RESERVED

BUCK BOOST



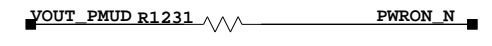
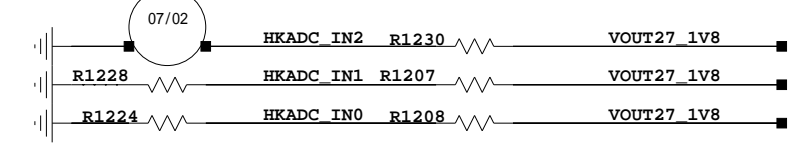
(1+R1/R2)=3.467V
 该文档是极速PDF编辑器生成，
 如果想去掉该提示，请访问并下载：
<http://www.jisupdfeditor.com/>



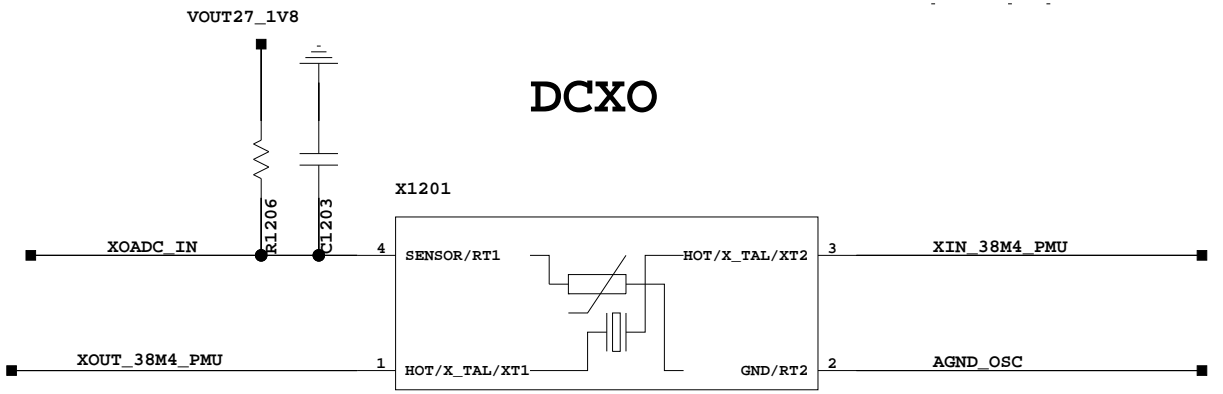
BOARD ID Table

Board ID	HKADC2	HKADC1	HKADC0
V1	9	0	1
V3			

HKADC_IN2 PD resistor delete
 only for BKL project, new project need double check



DCXO



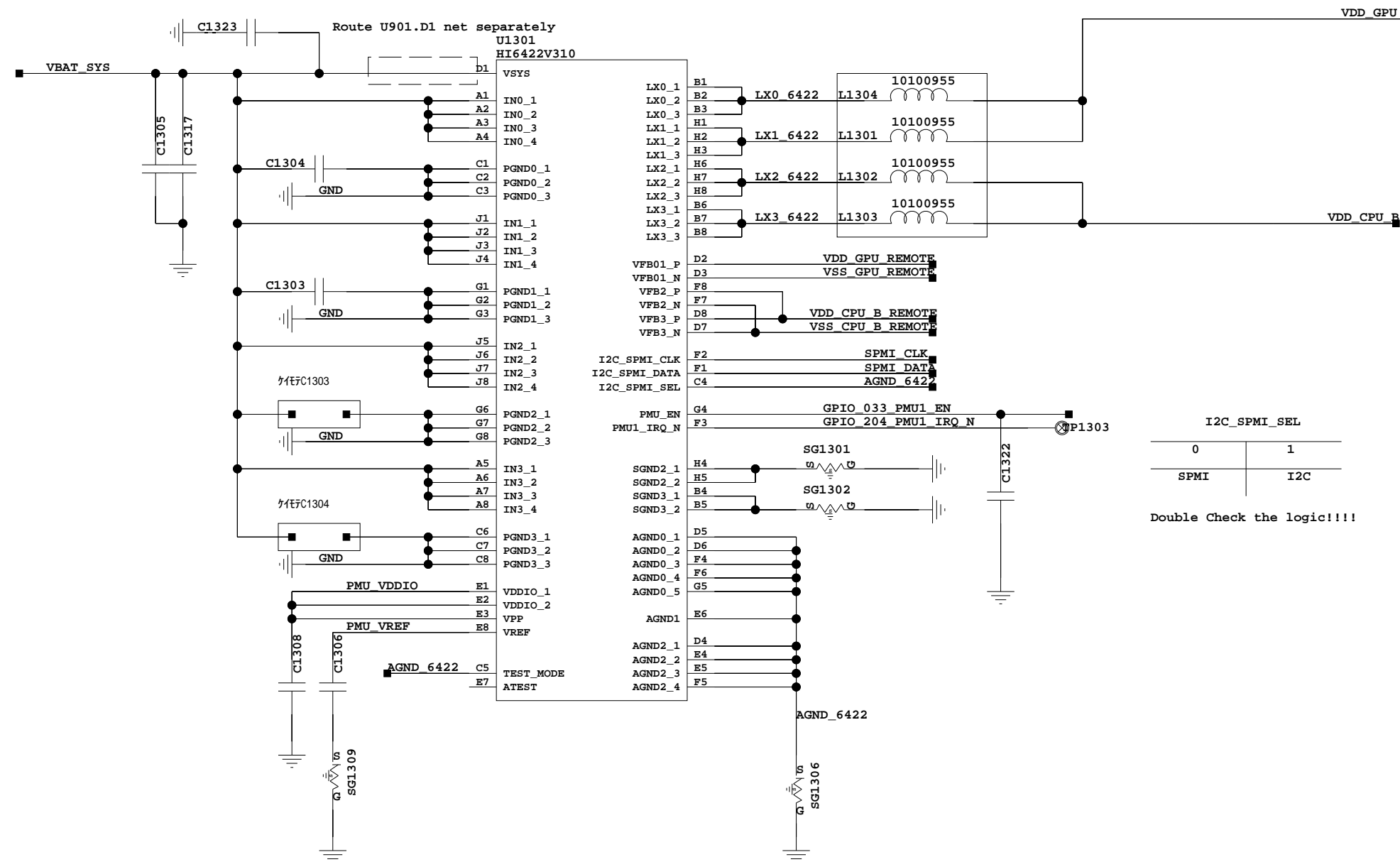
The type and specification of the components refer to the BOM

				NA	2017.12.23
				ECA NO	DATE
DESIGNED	BYD				
REVIEWED	BYD				
		荣耀V10			
		VER	PART_NUMBER		SHEET 12 PMDF MISTY/BuckBoost
		A			HUAWEI TECH CO.,LTD.

13.Hi6422V300



该文档是极速PDF编辑器生成，
如果想去掉该提示，请访问并下载：
<http://www.jisupdfeditor.com/>



The type and specification of the components refer to the BOM

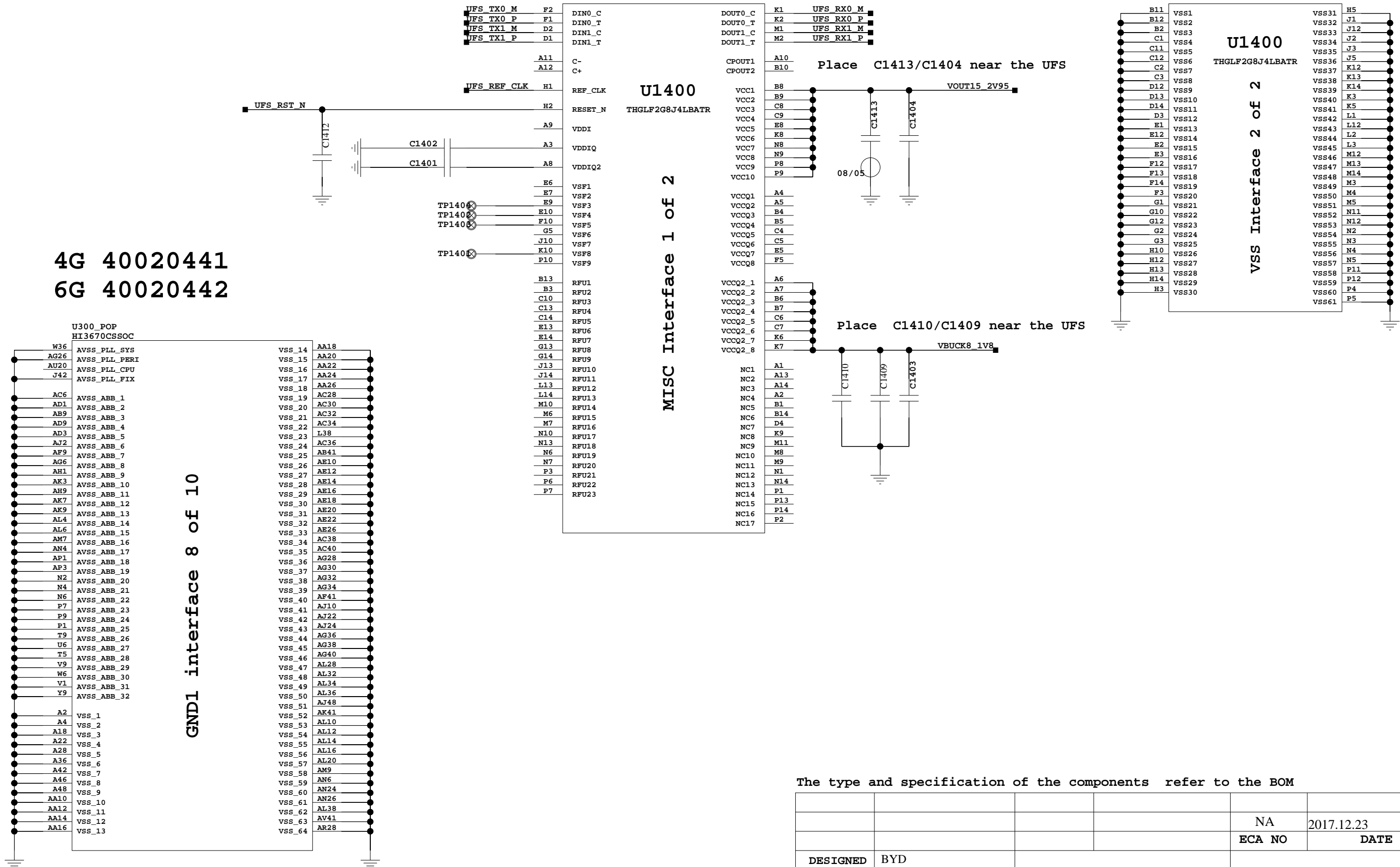
				NA	2017.12.23
				ECA NO	DATE
DESIGNED	BYD			荣耀V10	
REVIEWED	BYD				
		VER	PART_NUMBER	SHEET 13 PMU HI6422	
		A		HUAWEI TECH CO.,LTD.	

14.UFS and LPDDR4X

64G 40060893
 128G 40060894
 256G 40060823



该文档是极速PDF编辑器生成，
 如果想去掉该提示，请访问并下载：
<http://www.jsupdfeditor.com/>



4G 40020441
 6G 40020442

GND1 interface 8 of 10

MISC Interface 1 of 2

Place C1413/C1404 near the UFS

Place C1410/C1409 near the UFS

U1400

THGLF2G8J4LBATR

VSS Interface 2 of 2

The type and specification of the components refer to the BOM

DESIGNED	BYD	荣耀V10	NA	2017.12.23
REVIEWED	BYD		ECA NO	DATE
		VER	PART_NUMBER	SHEET 14 OF LPDDR
		A		HUAWEI TECH CO.,LTD.

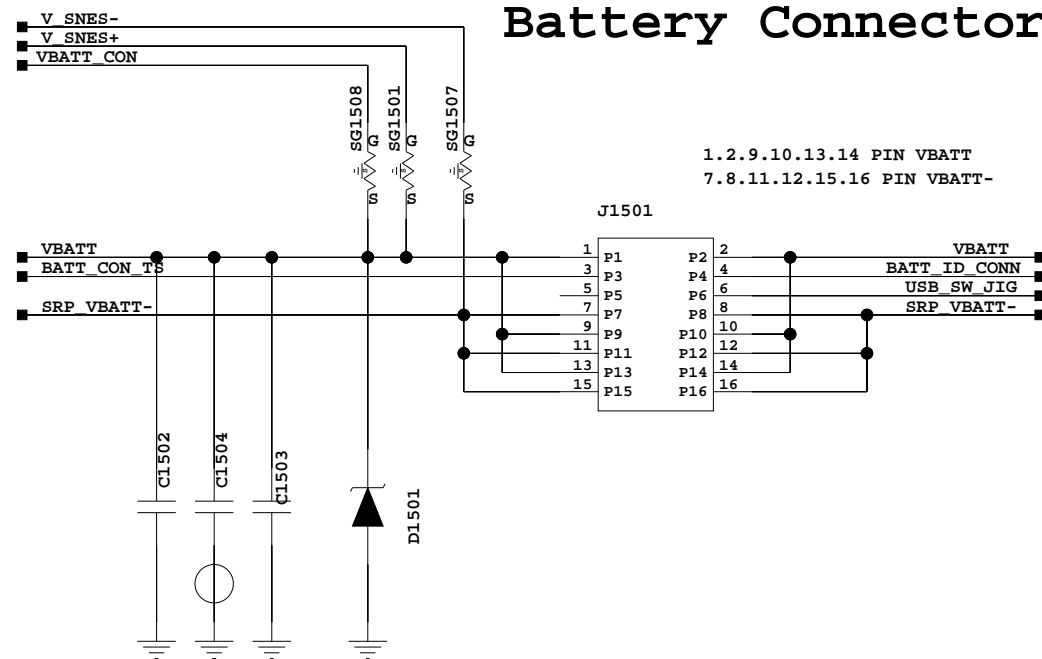
15. Battery & Fuel guage



该文档是极速PDF编辑器生成，
如果想去掉该提示，请访问并下载：
<http://www.supdf.com/>

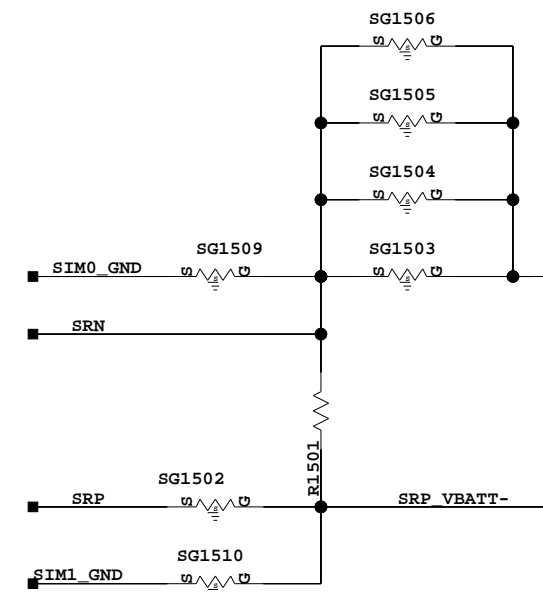
37017

Battery Connector

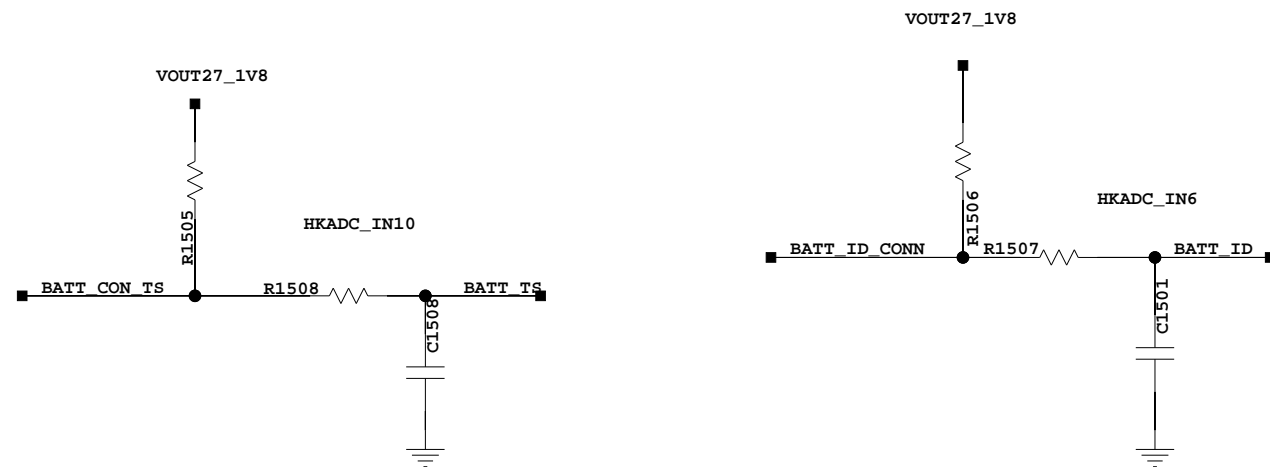


1.2.9.10.13.14 PIN VBATT
7.8.11.12.15.16 PIN VBATT-

08/06
Reduce Direct charge current ripple
C1504 DNI default



CAD note:
1.Trace for 9A
2.Differential trace



Battery Temperature

Battery ID

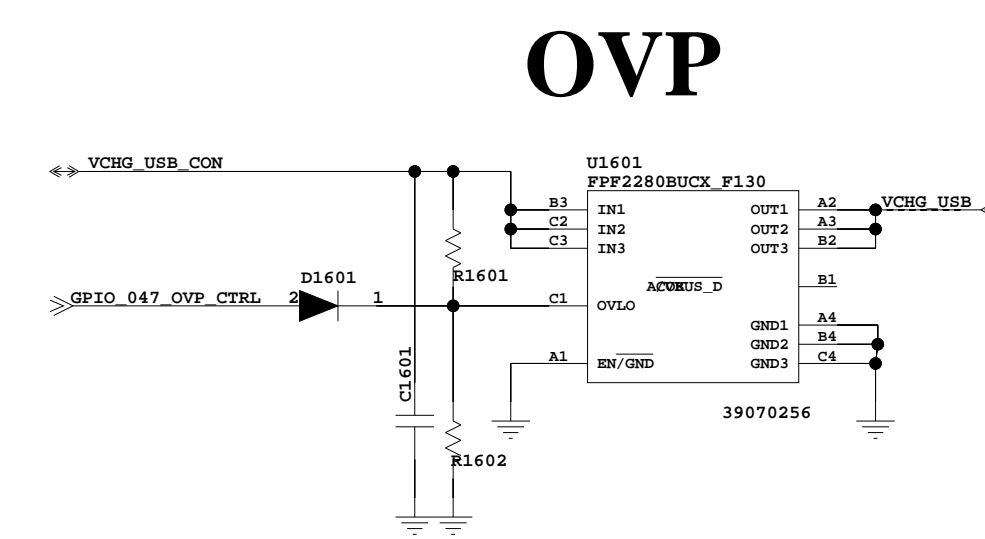
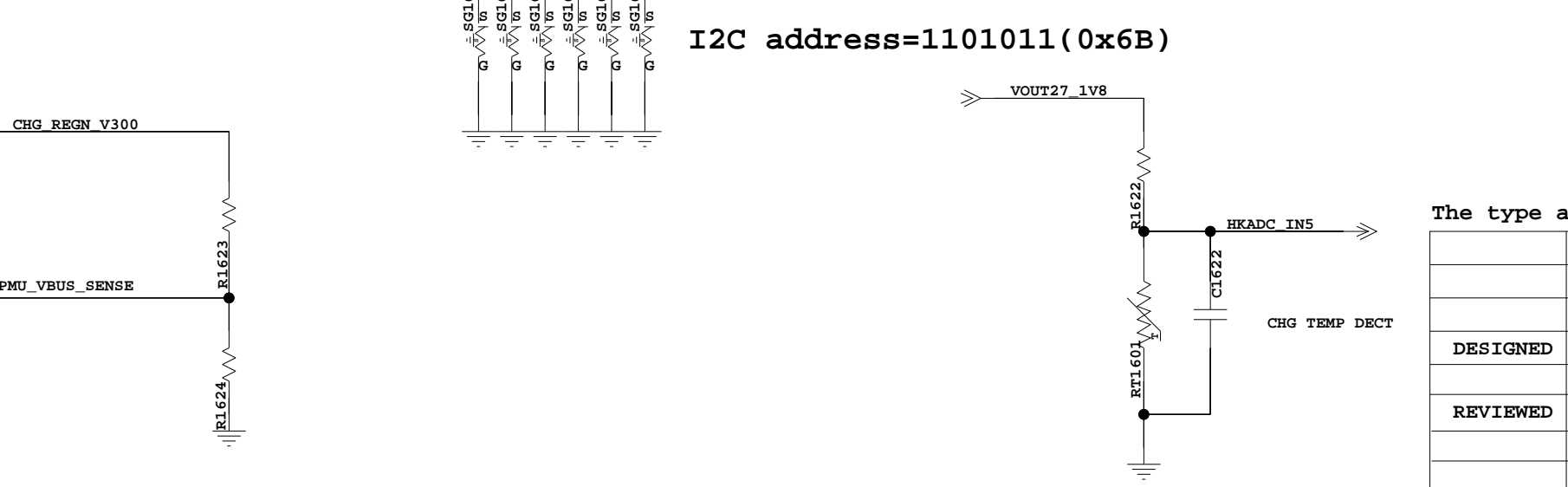
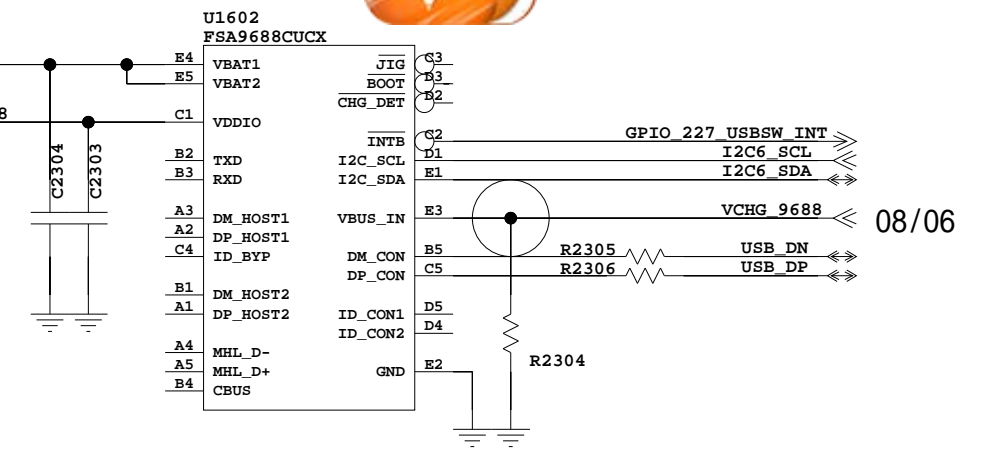
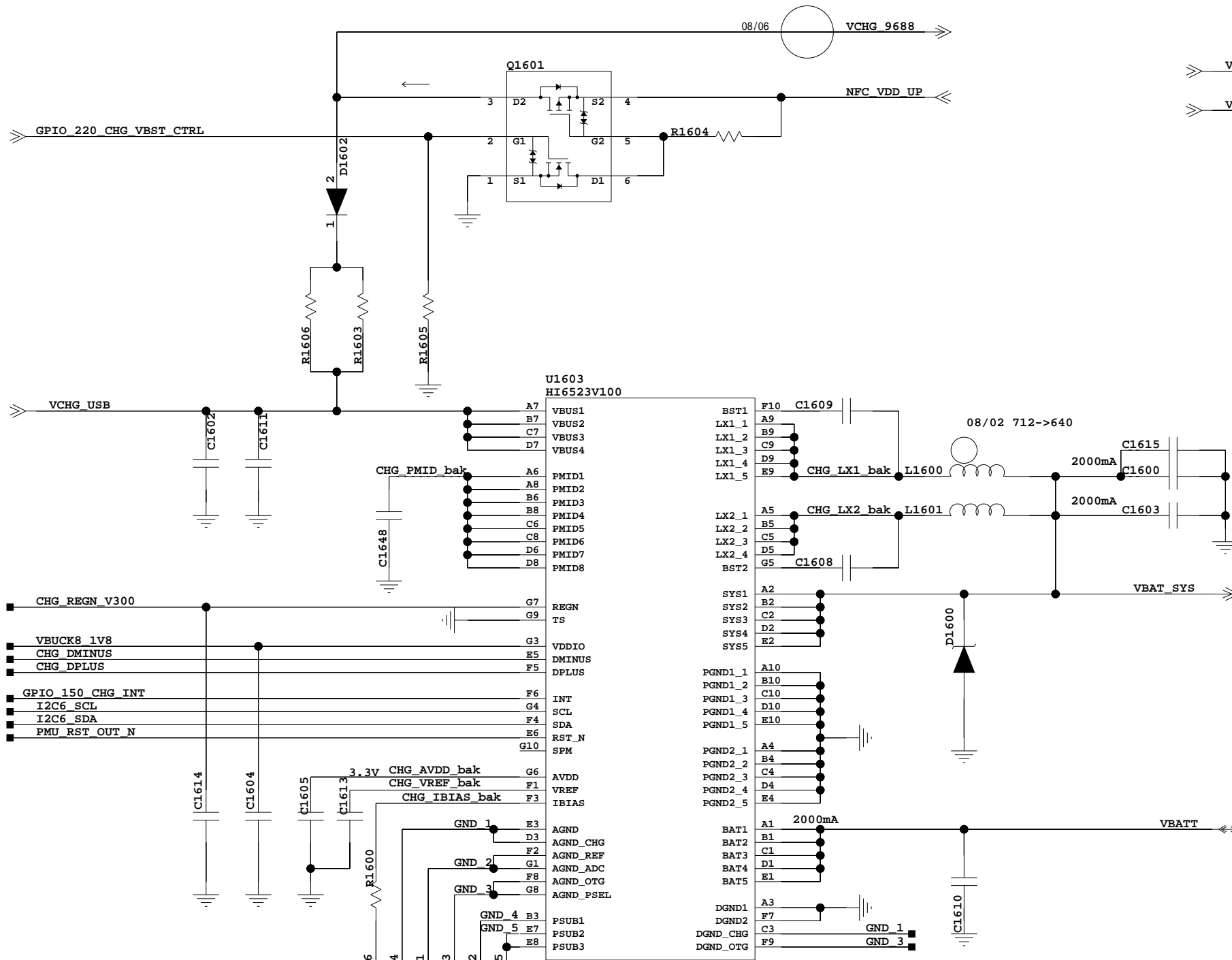
The type and specification of the components refer to the BOM

				NA	2017.12.23
				ECA NO	DATE
DESIGNED	BYD	荣耀V10			
REVIEWED	BYD				
		VER	PART_NUMBER	SHEET 15 of 79	
		A		HUAWEI TECH CO.,LTD.	

16. Charge Management



该文档是极速PDF编辑器生成，
如果想去掉该提示，请访问并下载：
<http://www.jisupdfeditor.com/>



OVP

The type and specification of the components refer to the BOM

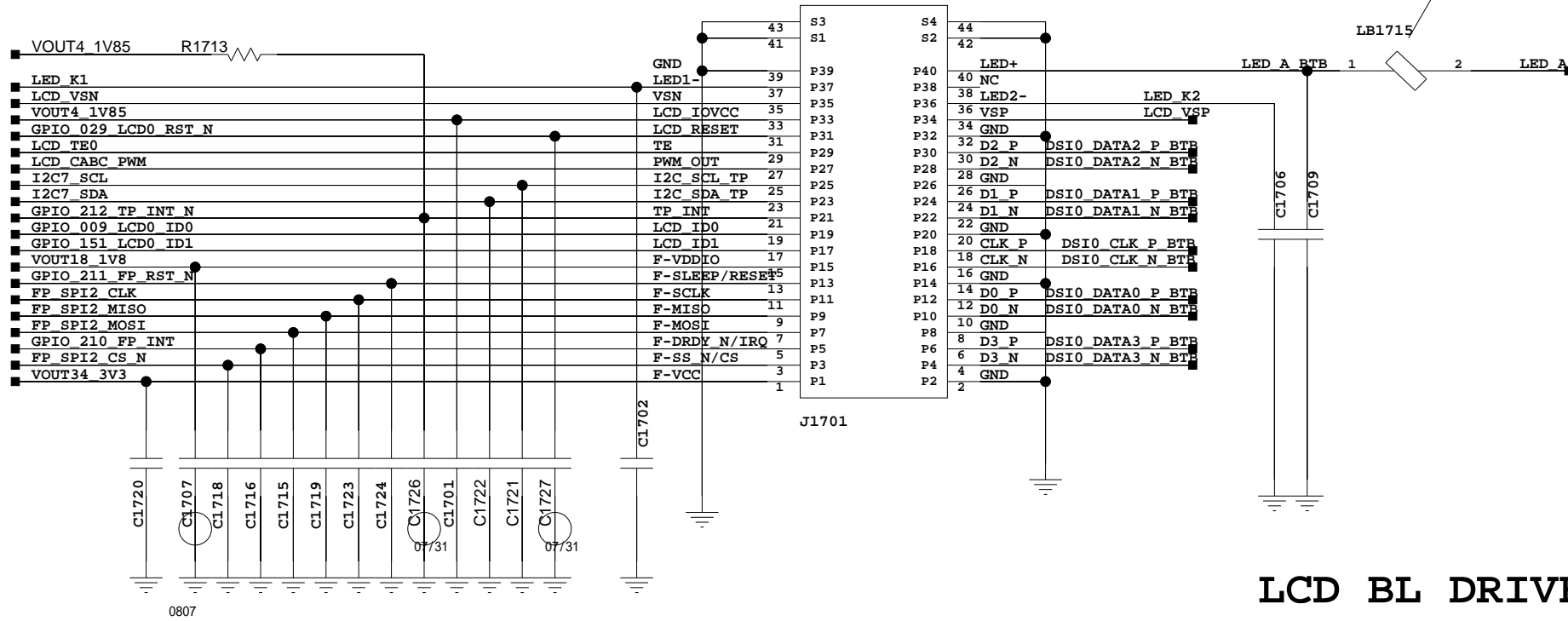
DESIGNED	BYD	VER	PART_NUMBER	SHEET 16 of 19	09-10-2017_19:57
REVIEWED	BYD			CHARGE	2017.12.23
荣耀V10				HUAWEI TECH CO.,LTD.	

17. LCD and TP INTERFACE

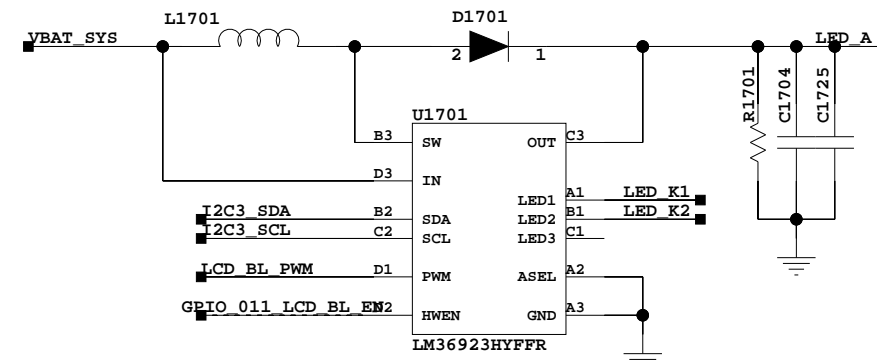


该文档是极速PDF编辑器生成，
如果想去掉该提示，请访问并下载：
<http://www.jisupdfeditor.com/>

荣耀 00700191 手机 BOM 物料清单 07090800



LCD BL DRIVER

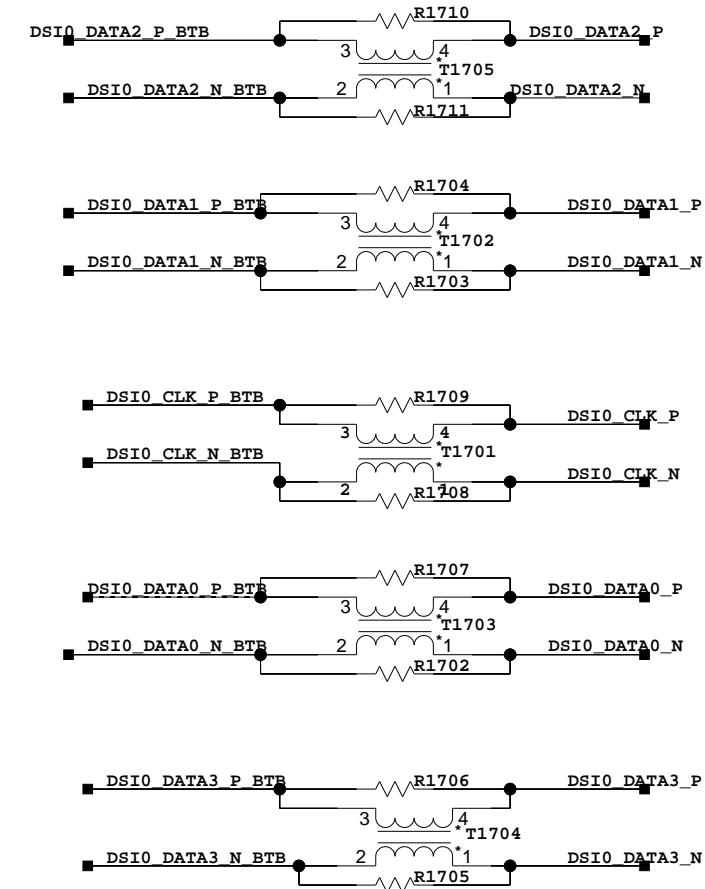
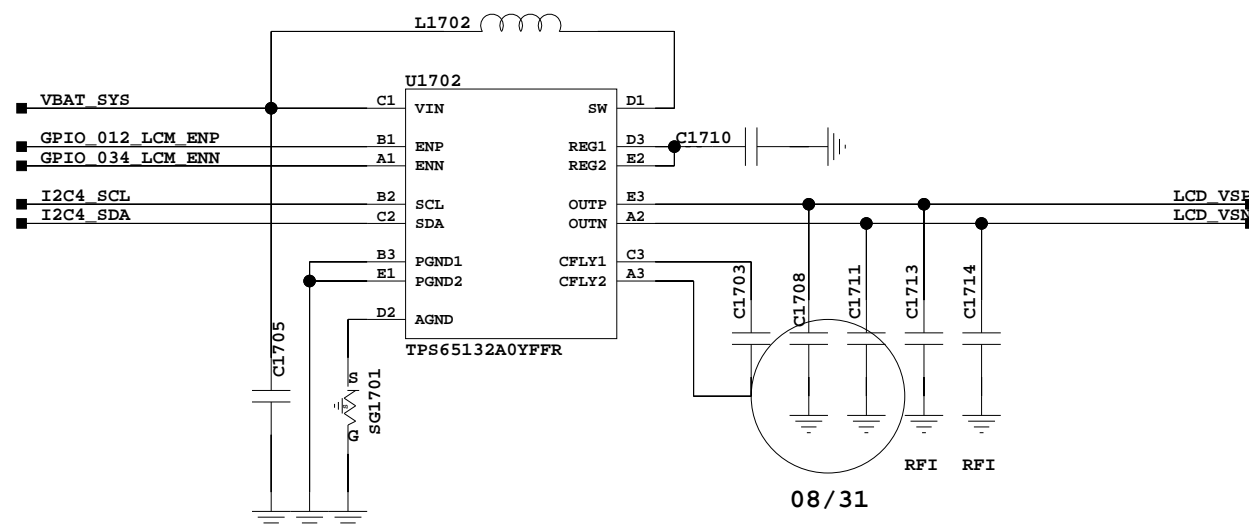


CAP tolerance above 50V

LCD POS/NEG Voltage Driver

I2C address=0111110(0x3E)

I2C address=0110110(0x36) for TI and MPS

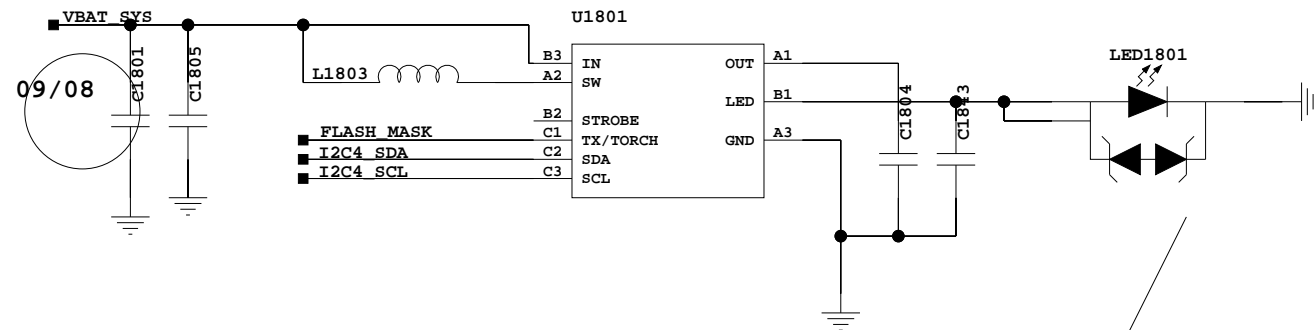


The type and specification of the components refer to the BOM

				NA	2017.12.23
				ECA NO	DATE
DESIGNED	BYD	荣耀V10			
REVIEWED	BYD				
		VER	PART_NUMBER	SHEET 17 LCD INTERFACE	
		A		HUAWAI TECH CO.,LTD.	

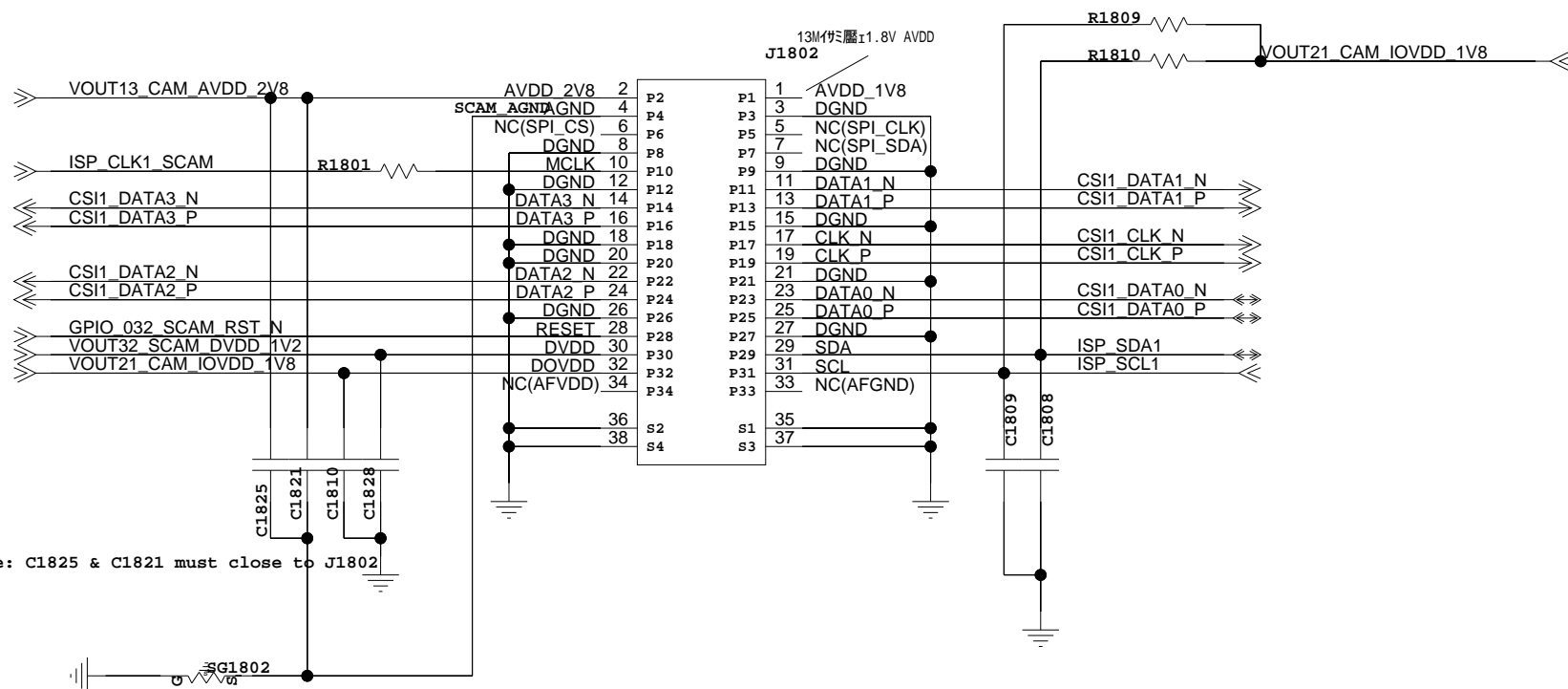
18. Flash/front Camera

Flash LED



I2C address=1100011(0x63) for TI
I2C address=1100111(0x67) for MPS

物料/物料号 J15020336



The type and specification of the components refer to the BOM

				09-10-2017_19:58
			NA	2017.12.23
			ECA NO	DATE
DESIGNED	BYD	荣耀V10		
REVIEWED	BYD			
		VER	PART_NUMBER	SHEET 18 Flash/Front Camera
		A		HUAWEI TECH CO.,LTD.

19. M1/M2



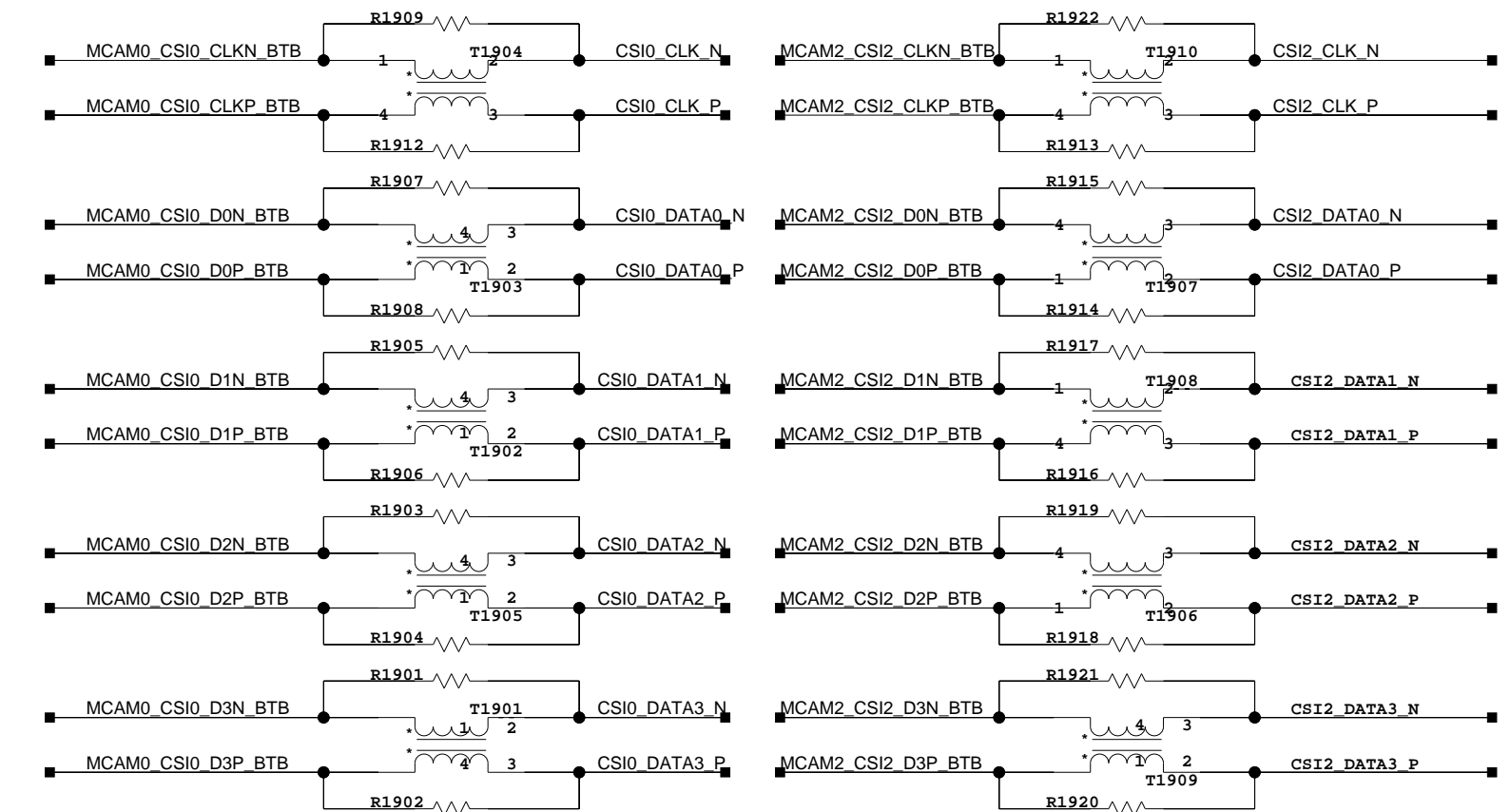
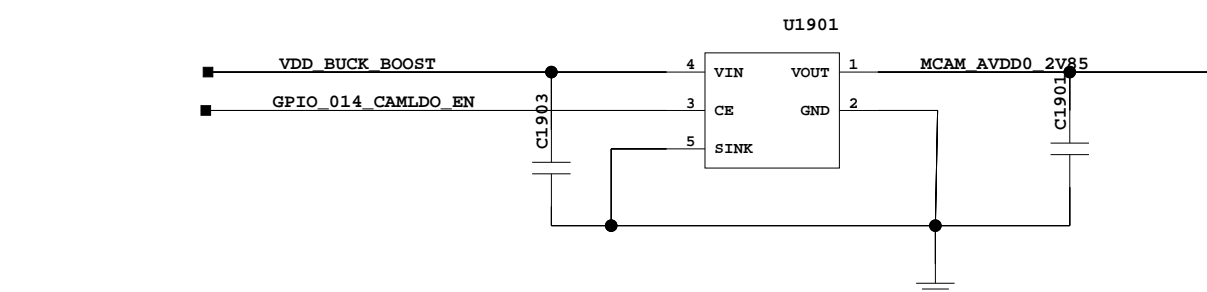
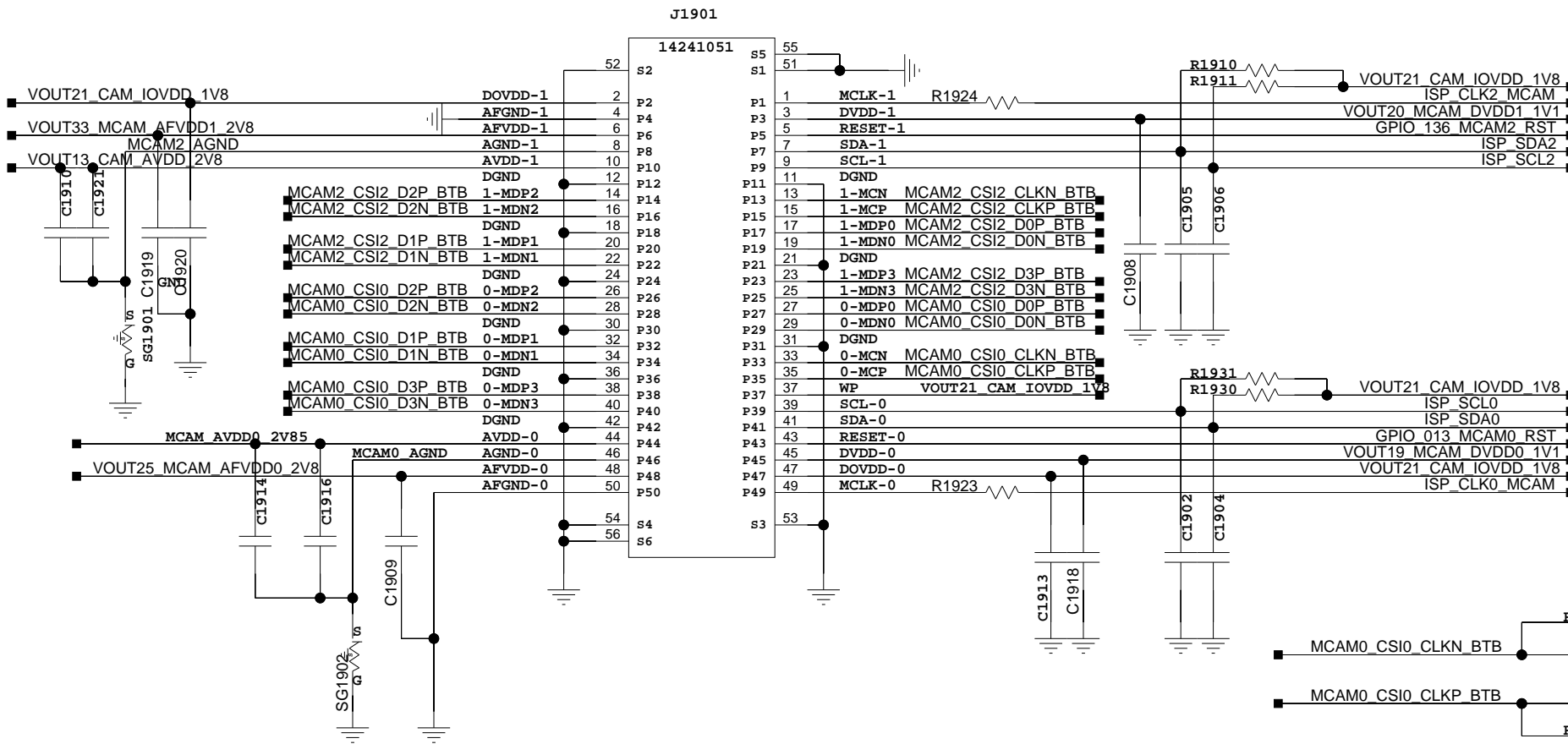
该文档是极速PDF编辑器生成，
如果想去掉该提示，请下载：
<http://www.jisupdfeditor.com/>

A

B

C

D



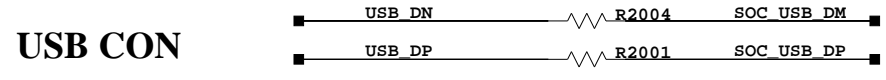
The type and specification of the components refer to the BOM

				NA	2017.12.23
				ECA NO	DATE
DESIGNED	BYD	荣耀V10			
REVIEWED	BYD				
		VER	PART_NUMBER	SHEET 19 of 19	
		A		HUAWEI TECH CO.,LTD.	

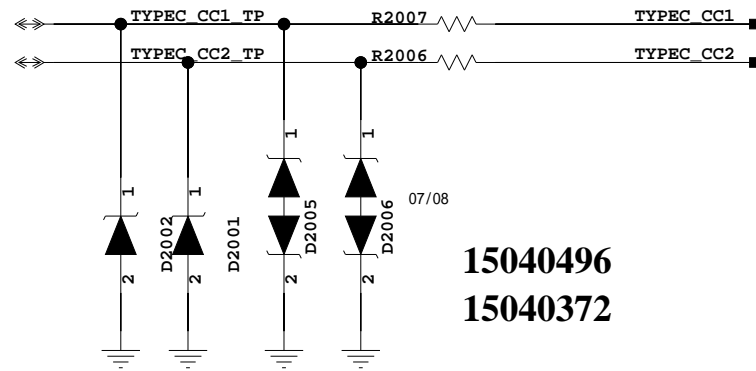
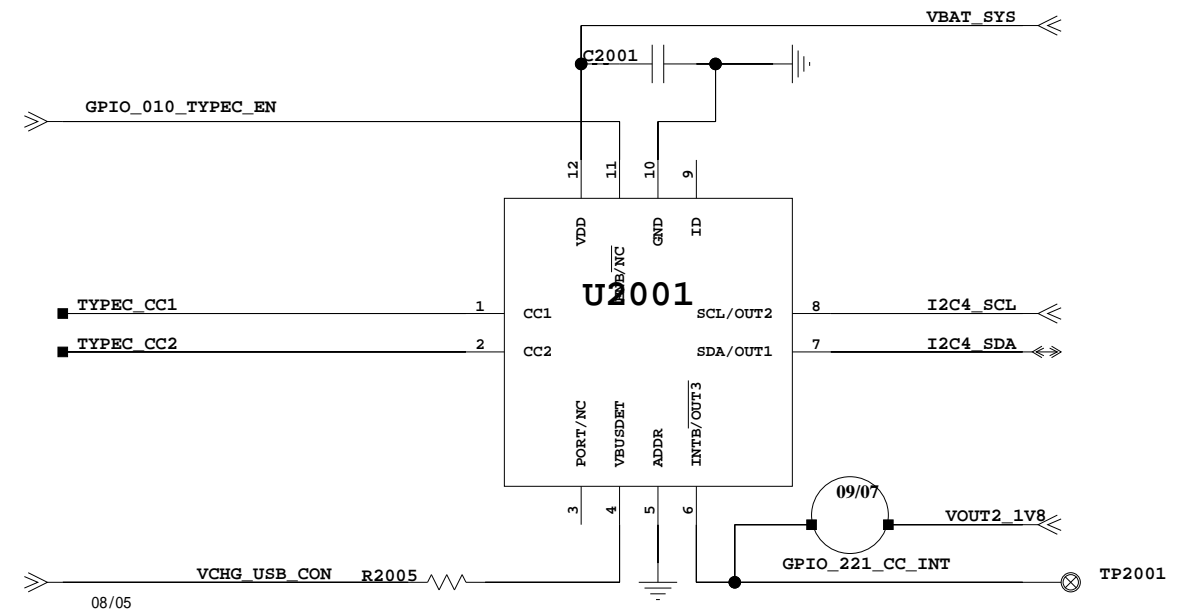
20. USB



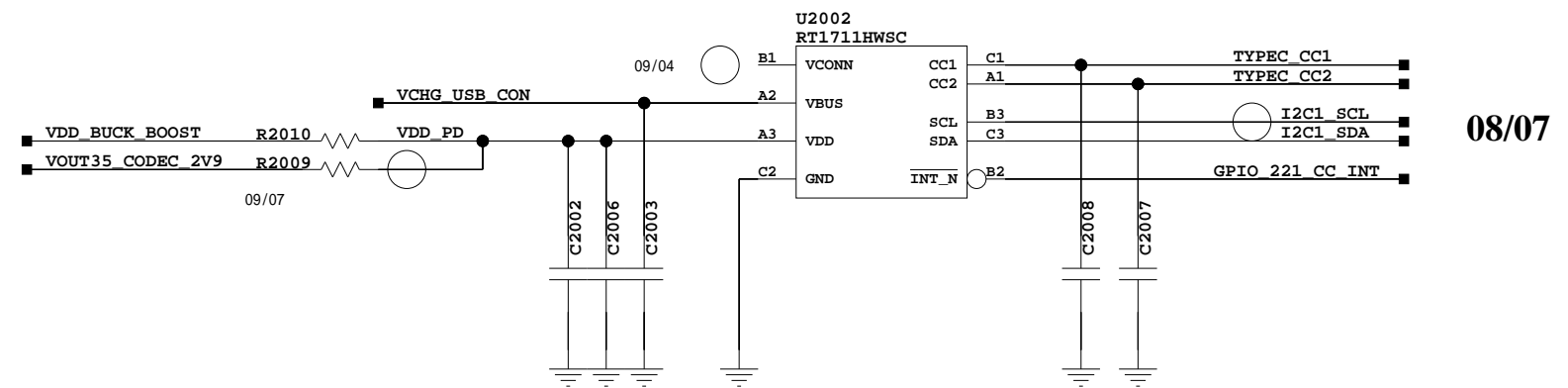
该文档是极速PDF编辑器生成，
如果想去掉该提示，请访问并下载：
<http://www.jisupdfeditor.com/>



HI6523



15040496
15040372



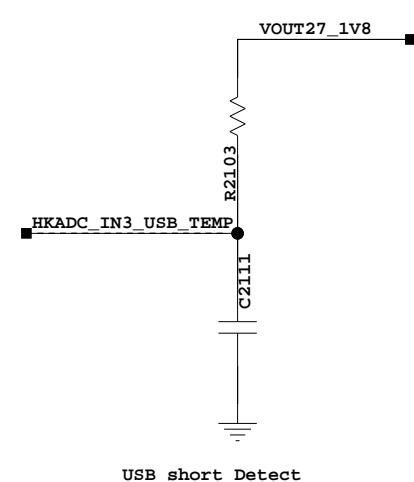
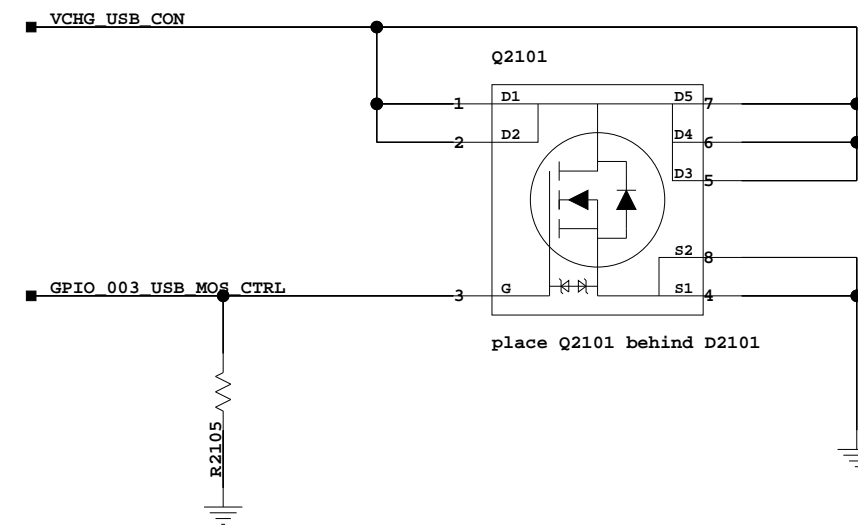
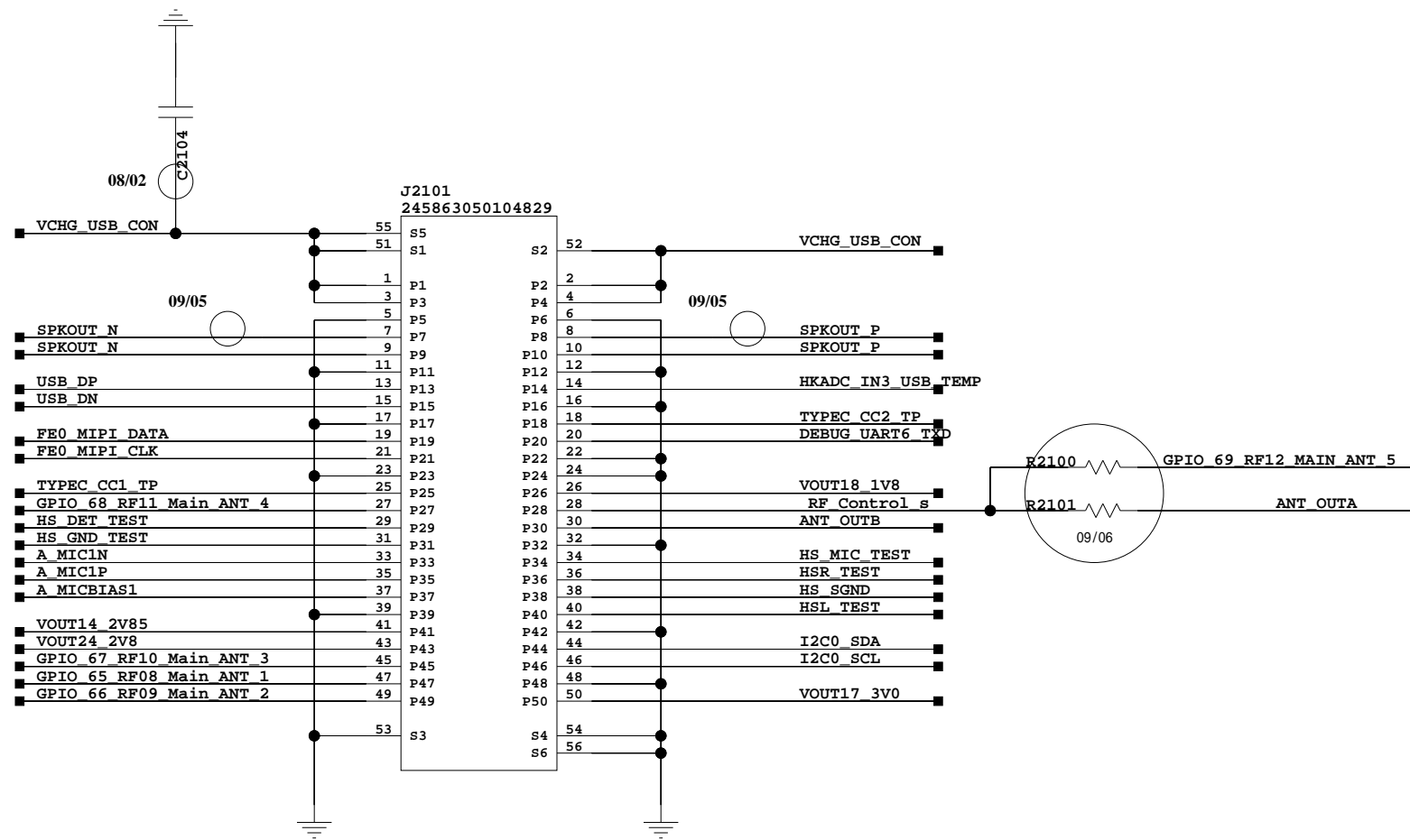
The type and specification of the components refer to the BOM

				NA	2017.12.23
				ECA NO	DATE
DESIGNED	BYD	荣耀V10			
REVIEWED	BYD				
		VER	PART_NUMBER	SHEET 20 USB/Switch	
				HUAWEI TECH CO.,LTD.	

21. Main FPC



该文档由PDF编辑器生成，
如果想去掉该提示，请访问并下载：
<http://www.jsupdfeditor.com/>



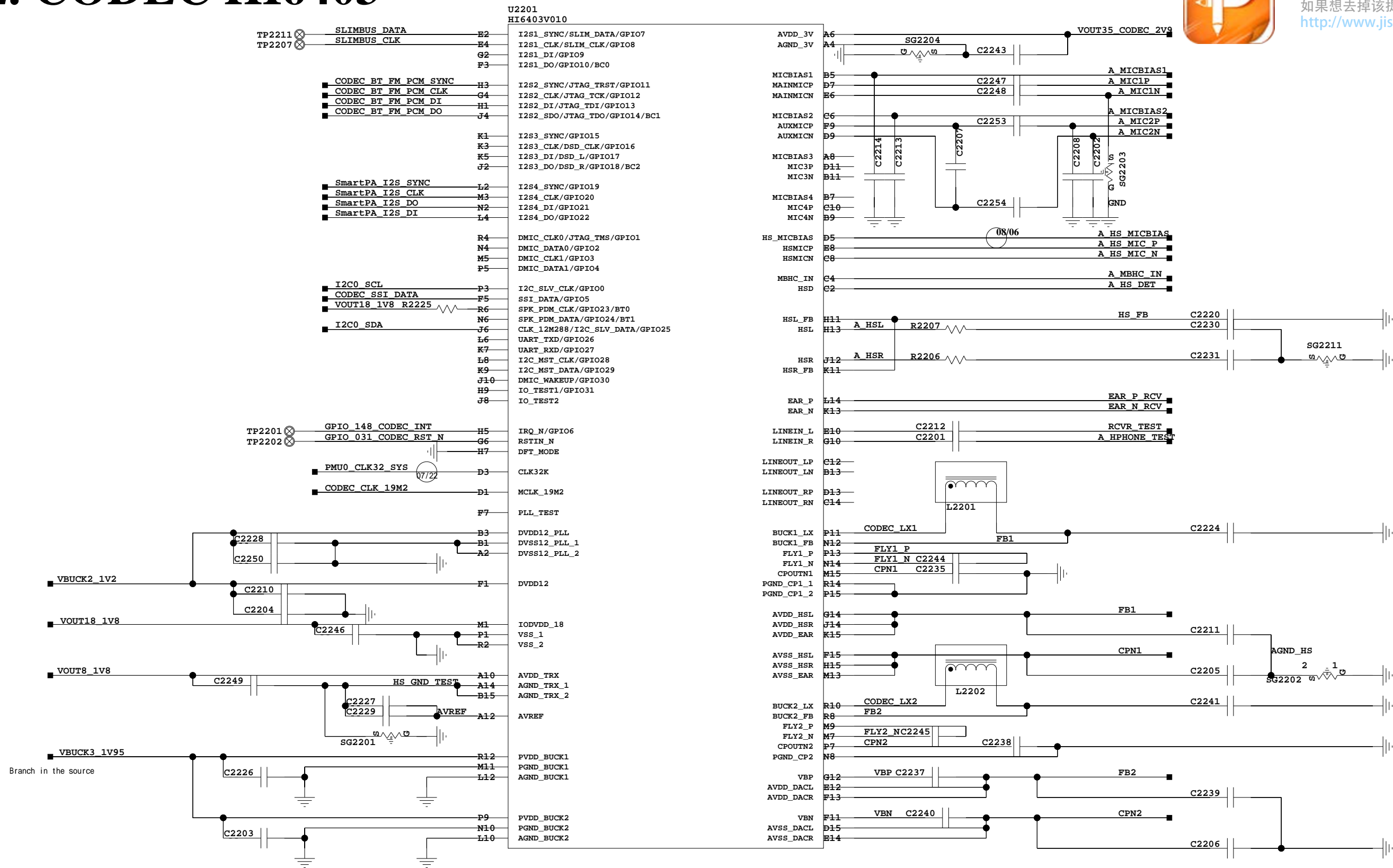
The type and specification of the components refer to the BOM

				NA	2017.12.23
				ECA NO	DATE
DESIGNED	BYD	荣耀V10			
REVIEWED	BYD				
		VER	PART_NUMBER	SHEET	21 Main FPC9
		A		HUAWEI TECH CO.,LTD.	

22. CODEC HI6403



该文档是极速PDF编辑器生成，
如果想去掉该提示，请访问并下载：
<http://www.jisupdfeditor.com/>



The type and specification of the components refer to the BOM

BootMode0	BootMode1	Function(BootROM Start)
1	1	SPI Start
1	0	SSI Start
0	1	I2C Start
0	0	SLIMBUS Start

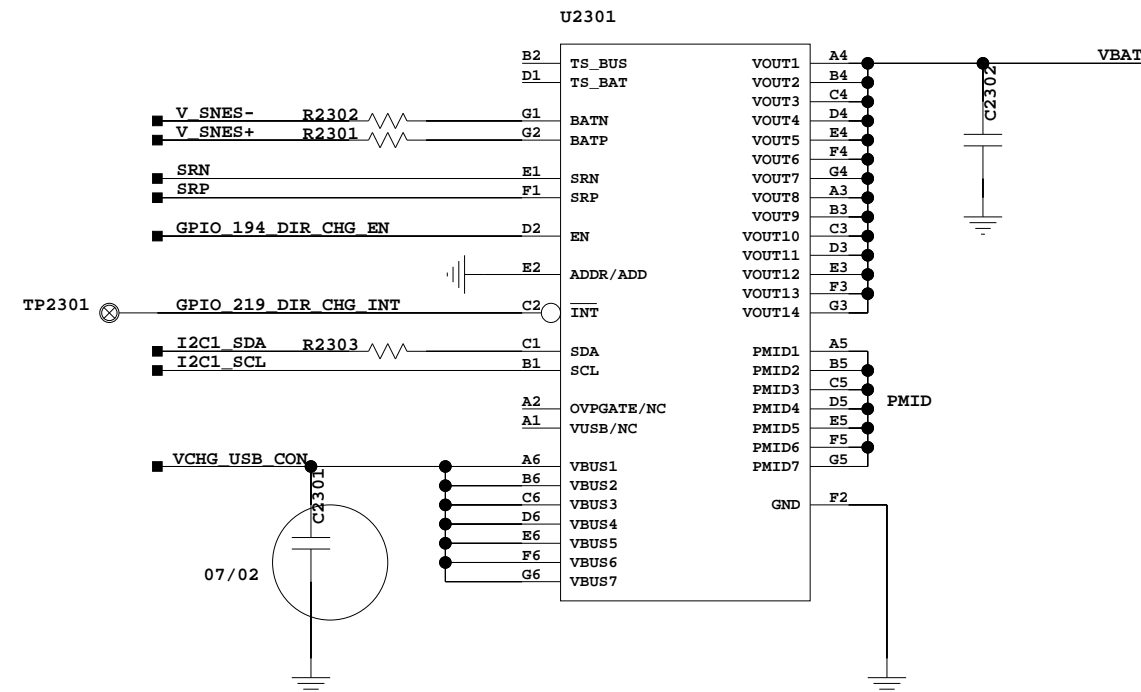
DESIGNED	BYD	荣耀V10	VER	PART_NUMBER	SHEET 22	CODEC HI6403
REVIEWED	BYD		C		HUAWEI TECH CO.,LTD.	
			NA	2017.12.23	DATE	
			ECA NO		DATE	

23. Direct Charger LoadSwitch

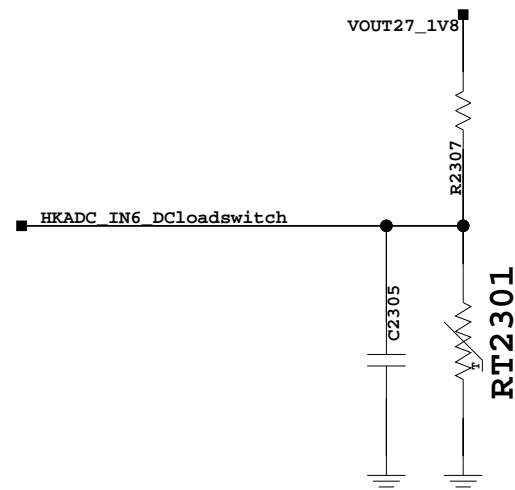


该文档是极速PDF编辑器生成，
如果想去掉该提示，请访问并下载：
<http://www.jisupdfeditor.com/>

I2C Address=1100111(0x67)



Direct charger Temperature DET



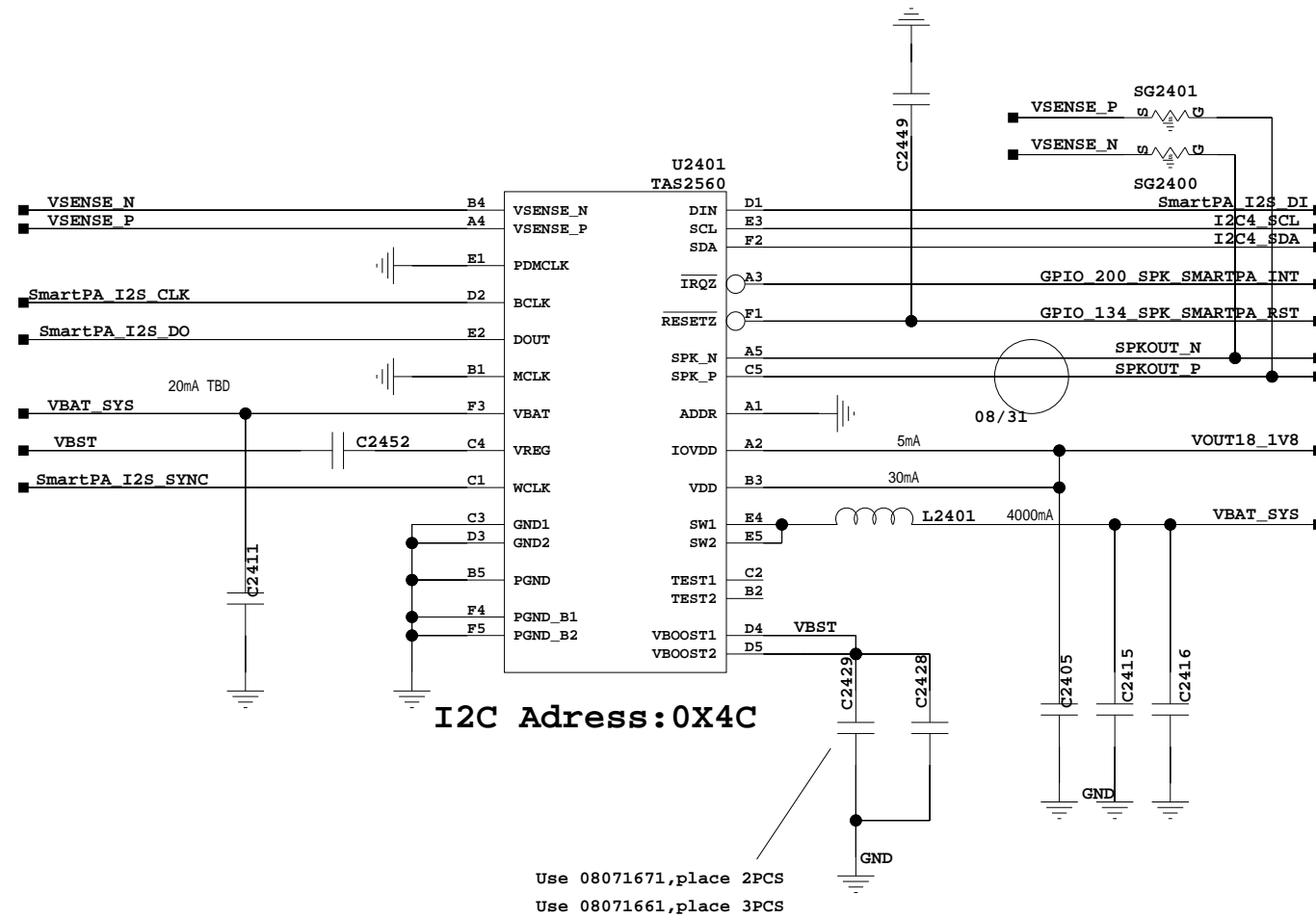
The type and specification of the components refer to the BOM

				09-10-2017_19:59
			NA	2017.12.23
			ECA NO	DATE
DESIGNED	BYD	荣耀V10		
REVIEWED	BYD			
		VER	PART_NUMBER	SHEET 23 of Charge
		A		HUAWEI TECH CO.,LTD.

24. SPK SMART PA



该文档是极速PDF编辑器生成，
如果想去掉该提示，请访问并下载：
<http://www.jisupdfeditor.com/>



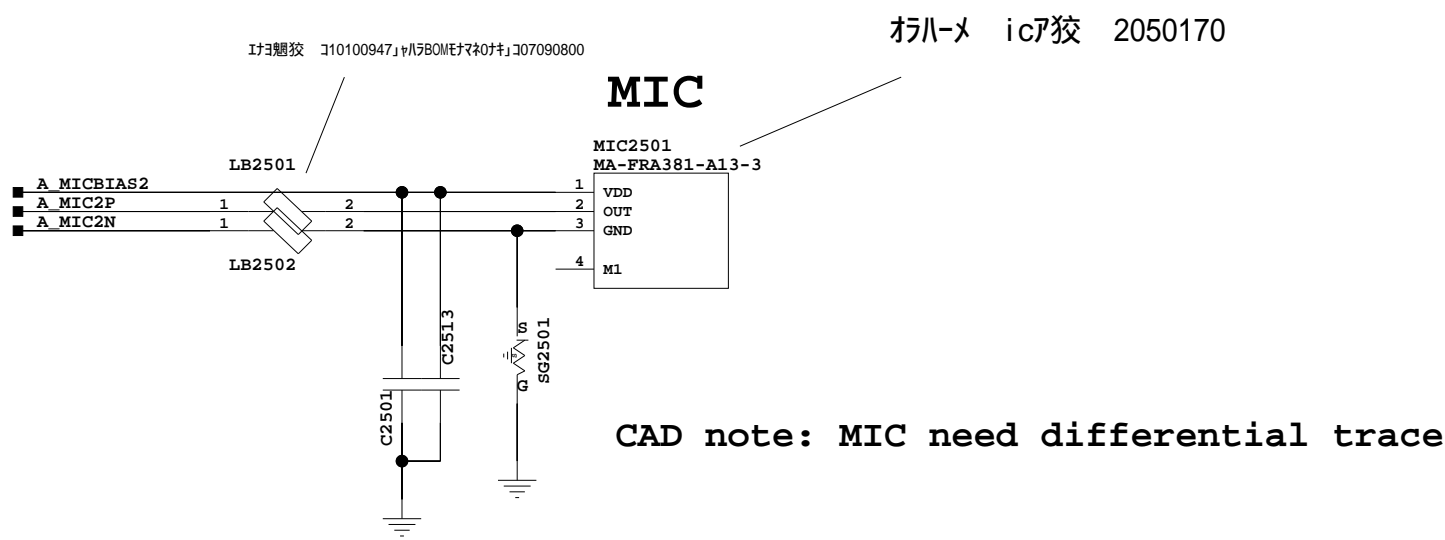
The type and specification of the components refer to the BOM

				NA	2017.12.23
				ECA NO	DATE
DESIGNED	BYD	荣耀V10			
REVIEWED	BYD				
		VER	PART_NUMBER	SHEET 24 SMART PA	
		A		HUAWAI TECH CO.,LTD.	

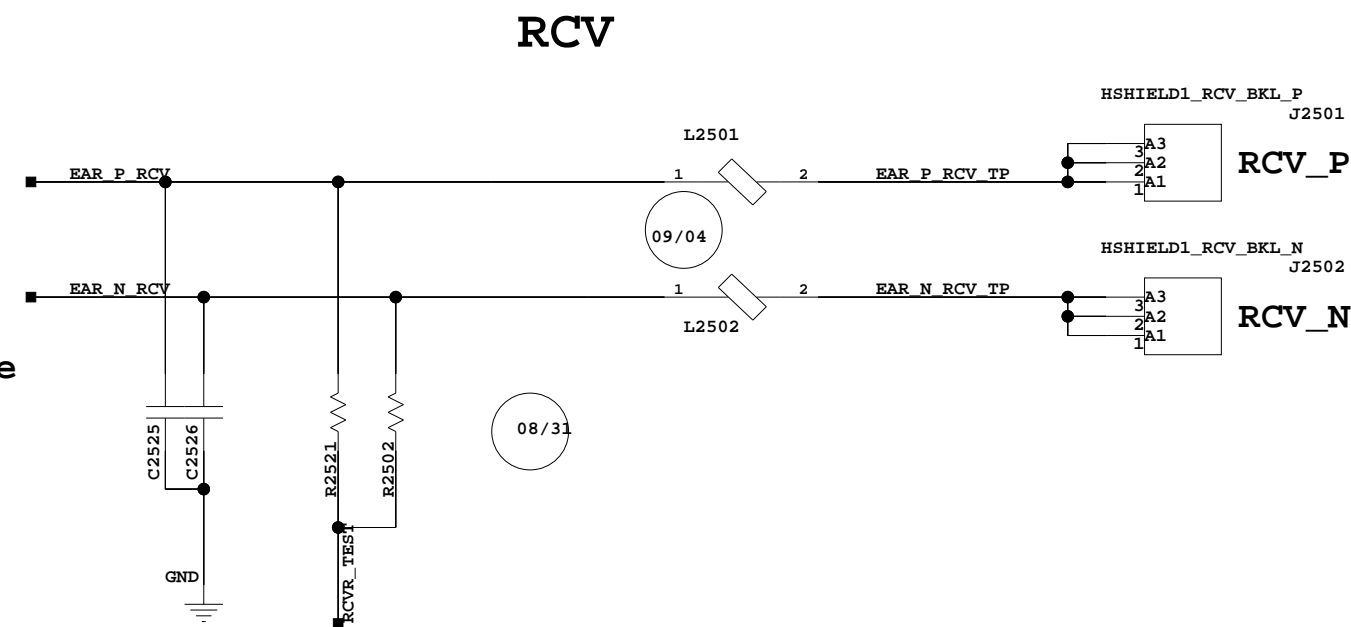
25. MIC/REC/HAC



该文档是极速PDF编辑器生成，
如果想去掉页眉页脚，请访问：
<http://www.jisu-pdf.com/>



ホハ-M icア狡 2050170



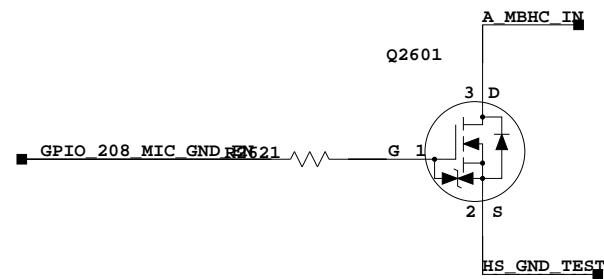
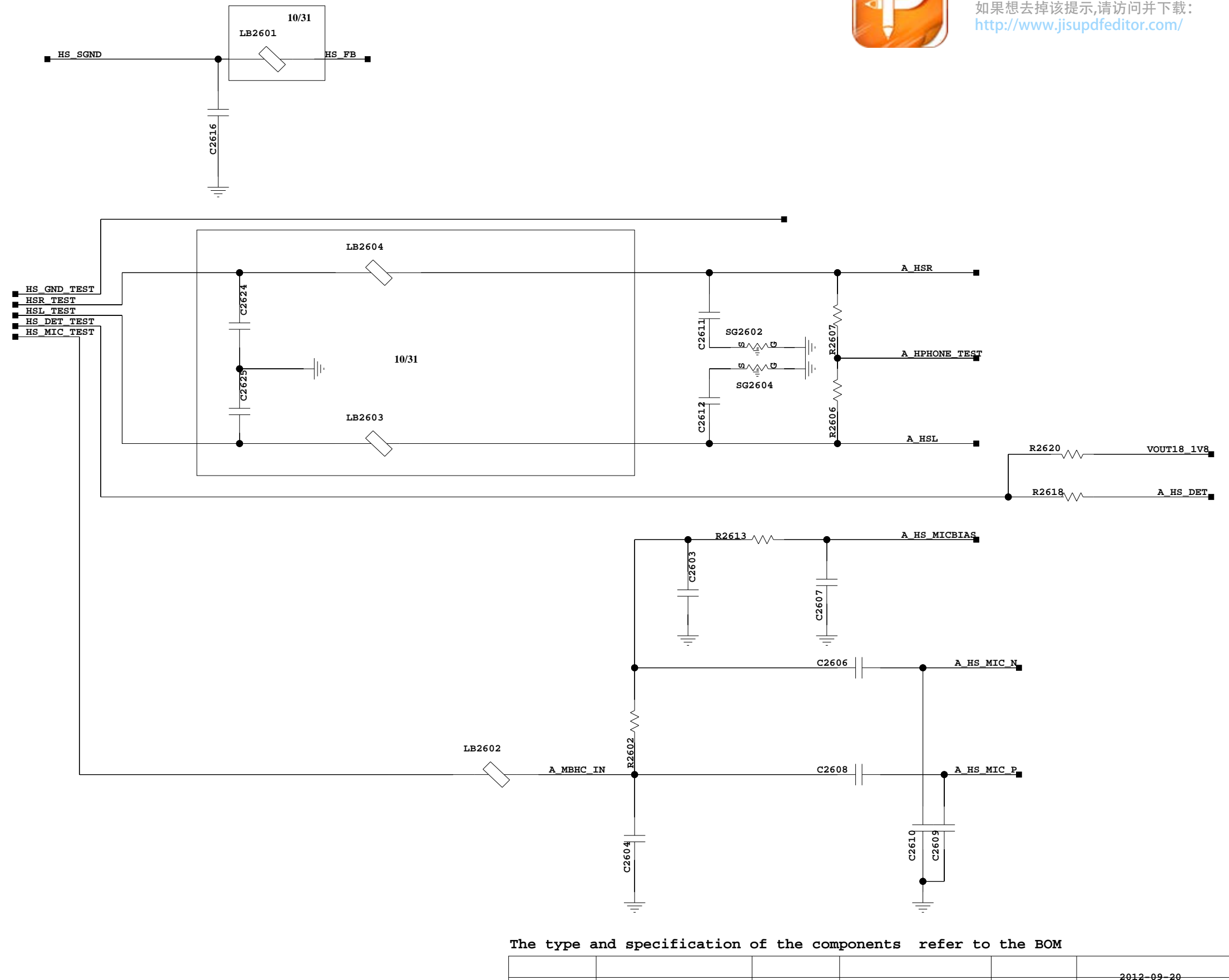
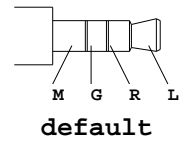
The type and specification of the components refer to the BOM

					09-10-2017_20:00
				NA	2017.12.23
				ECA NO	DATE
DESIGNED	BYD	荣耀V10			
REVIEWED	BYD				
		VER	PART_NUMBER	SHEET 25 MDG/REC/HAC	
				HUAWEI TECH CO.,LTD.	

26. Headphone



该文档是极速PDF编辑器生成，
如果想去掉该提示，请访问并下载：
<http://www.jisupdfeditor.com/>

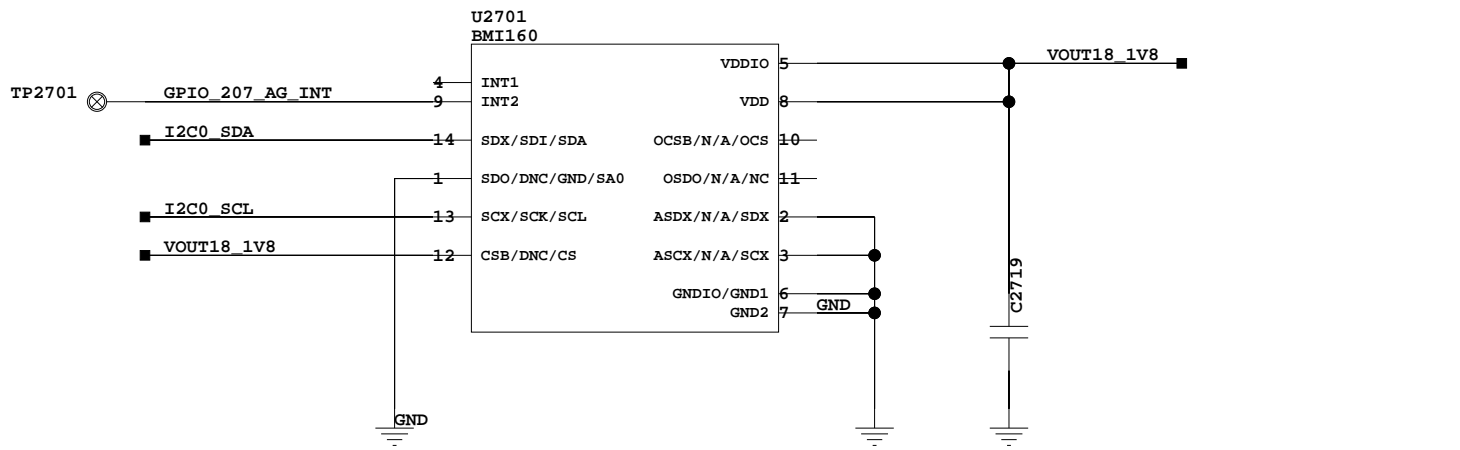


The type and specification of the components refer to the BOM

				NA	2012-09-20
				ECA NO	2017.12.23
				DATE	
DESIGNED	BYD	荣耀V10			
REVIEWED	BYD				
		VER	PART_NUMBER	SHEET 26 Headphone	
		B		HUAWEI TECH CO.,LTD.	

27. X-Sensor

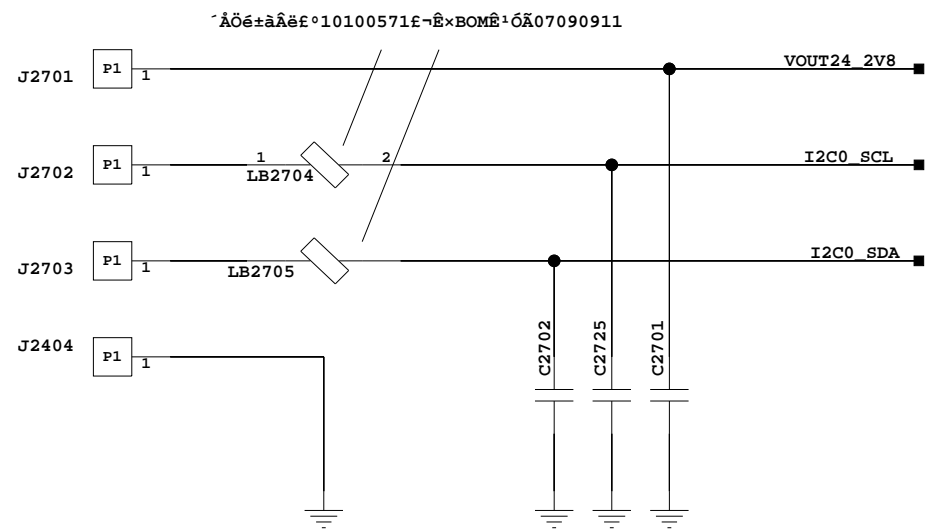
Accelerometer and Gyroscope 6-AXIS SENSOR



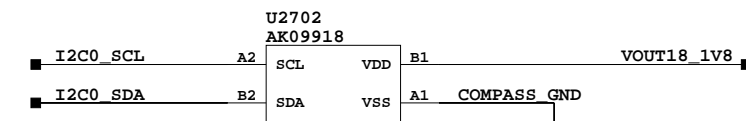
SDO=1 ADDRESS=0X6B(ST)/0X69(BOSCH)
SDO=0 ADDRESS=0X6A(ST)/0X68(BOSCH)

PROXIMITY&RGB AMBIENT

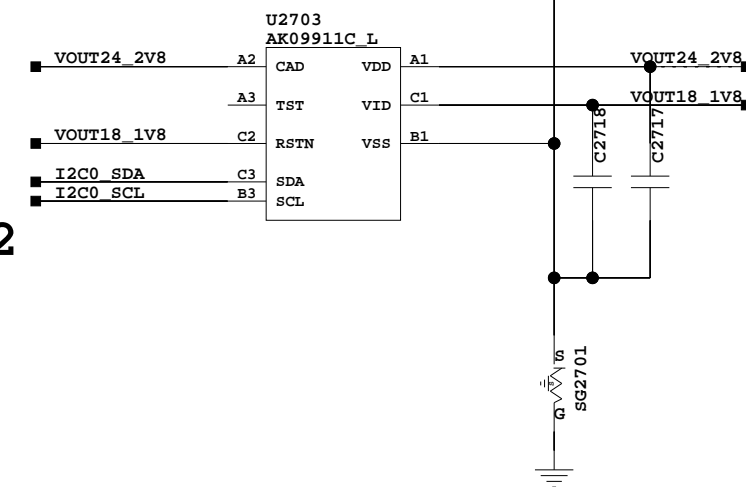
PROX ADDRESS=0X1E AMB ADDRESS=0X38



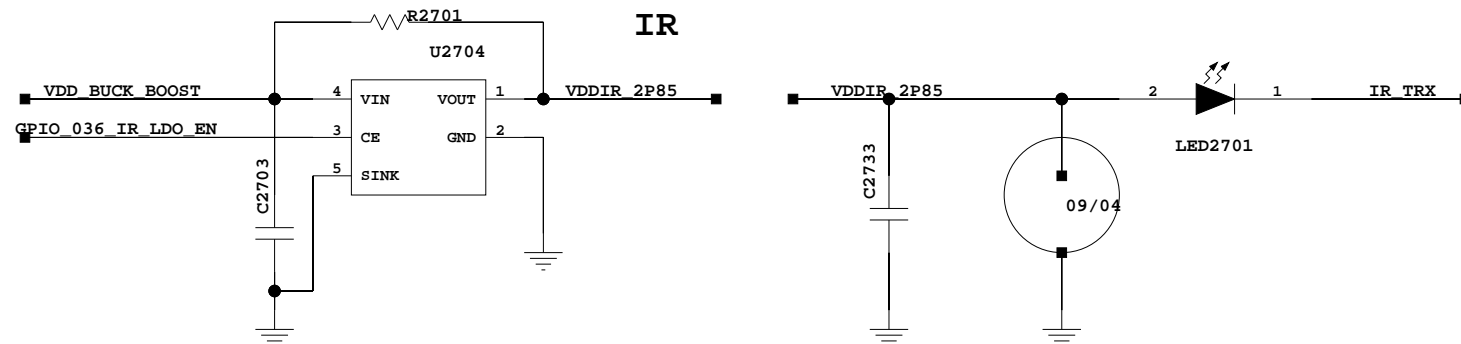
Compass AK09918



Compass AK09911 YAS537-PZE2



IR



The type and specification of the components refer to the BOM

				NA	2017.12.23
				ECA NO	DATE
DESIGNED	BYD	荣耀V10			
REVIEWED	BYD				
		VER	PART_NUMBER	SHEET 27 Xsens09	
		A		HUAWEI TECH CO.,LTD.	



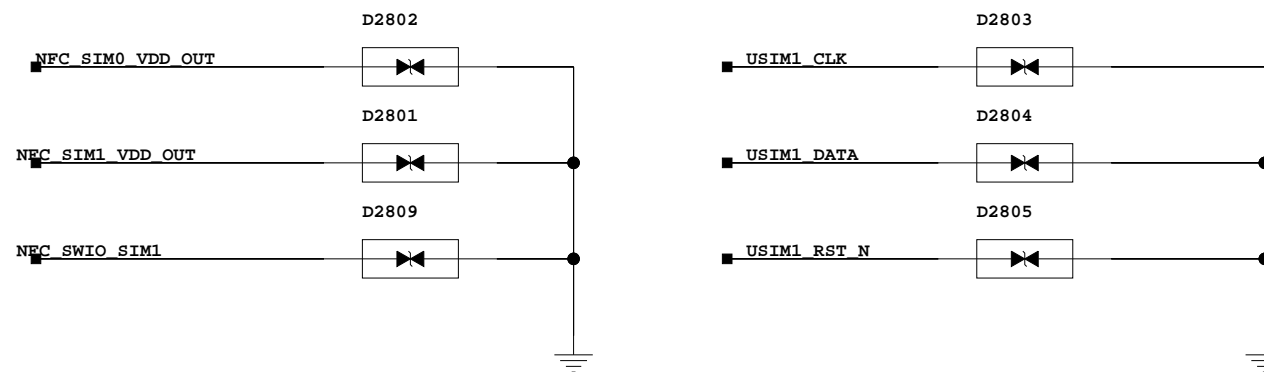
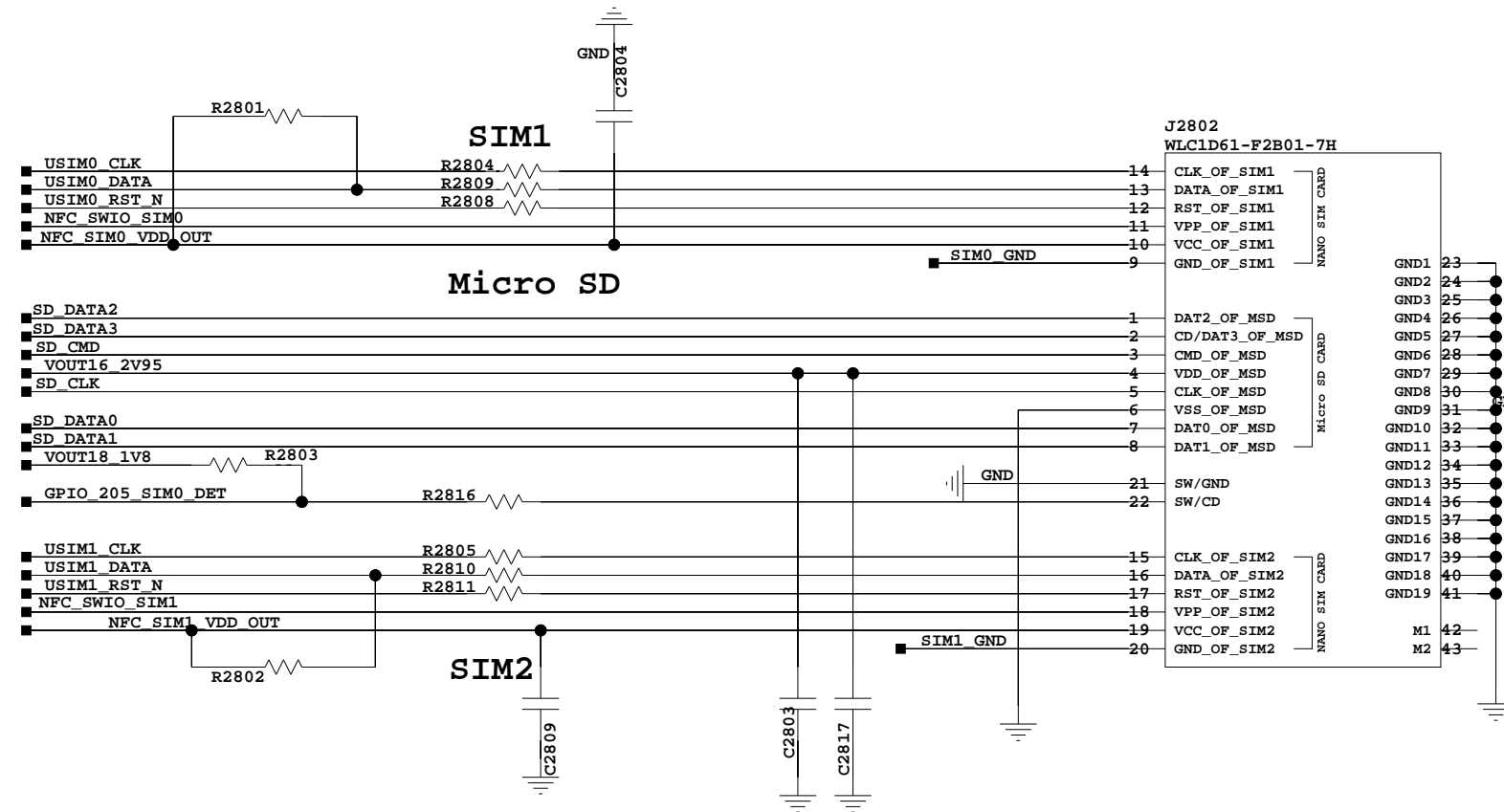
该文档是... 如果想去掉该提示,请访问并下载:
<http://www.jisupdfeditor.com/>

夕鏡手

28.SIM/uSD Card



该文档是极速PDF编辑生成，
如果想去掉该提示，请访问并下载：
<http://www.jisupdfeditor.com/>



	SIM1_VCC	SE_VCC	VOUT12_2V95
GPIO_202	H		○
	L	○	

The type and specification of the components refer to the BOM

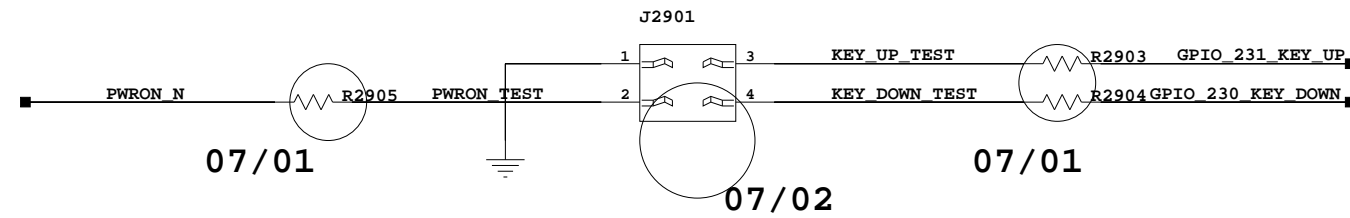
				NA	2017.12.23
				ECA NO	DATE
DESIGNED	BYD	荣耀V10			
REVIEWED	BYD				
		VER	PART_NUMBER	SHEET 28 SIM/uSD9Card	
		A		HUAWEI TECH CO.,LTD.	

29. LED/FP/Key

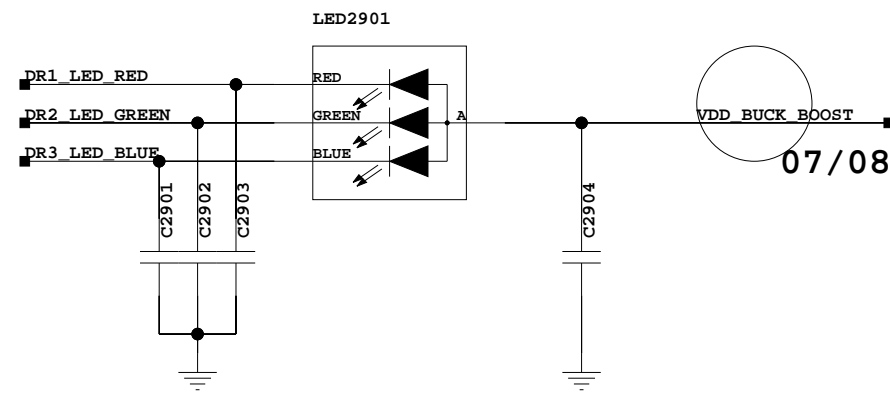


该文档由极速PDF编辑器生成, 如果想去掉该提示, 请访问并下载: <http://www.jisupdfeditor.com/>

KEY SPRING



RGB LED



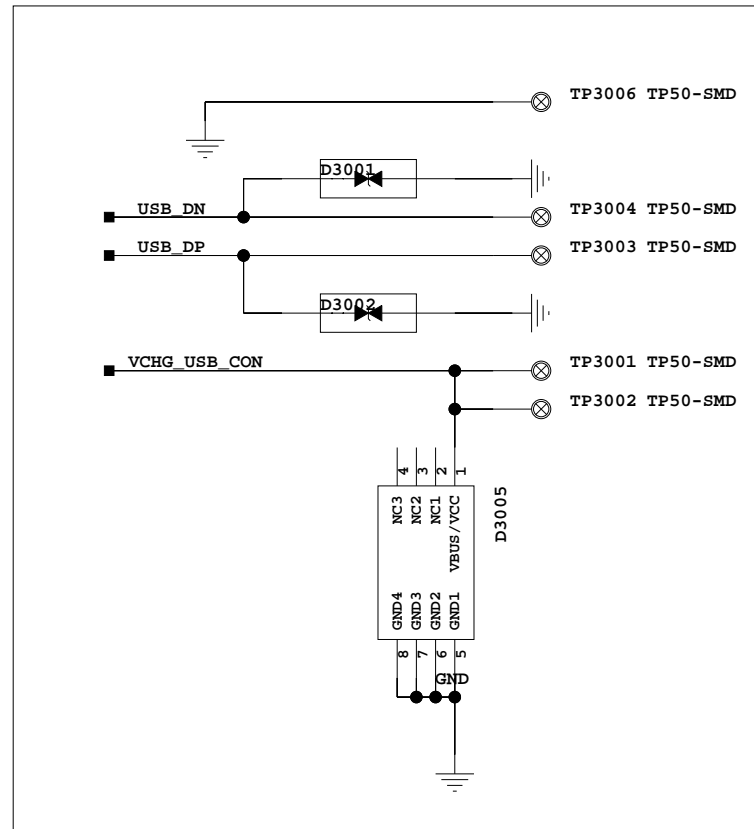
The type and specification of the components refer to the BOM

				09-10-2017_20:01
			NA	2017.12.23
			ECA NO	DATE
DESIGNED	BYD	荣耀V10		
REVIEWED	BYD			
		VER	PART_NUMBER	SHEET 29 LED/Key/FP/IRDA
				HUAWEI TECH CO.,LTD.

30. Test Points/Shields

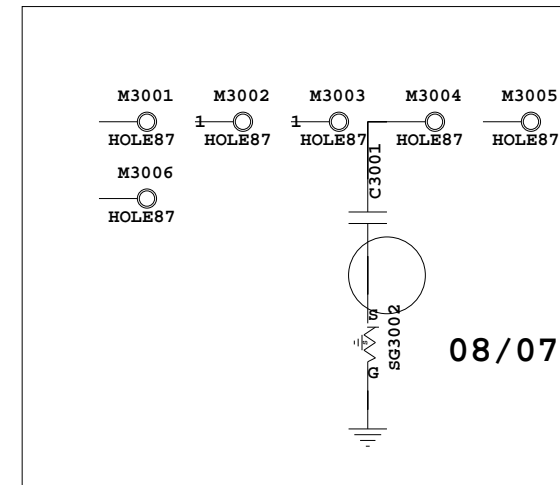
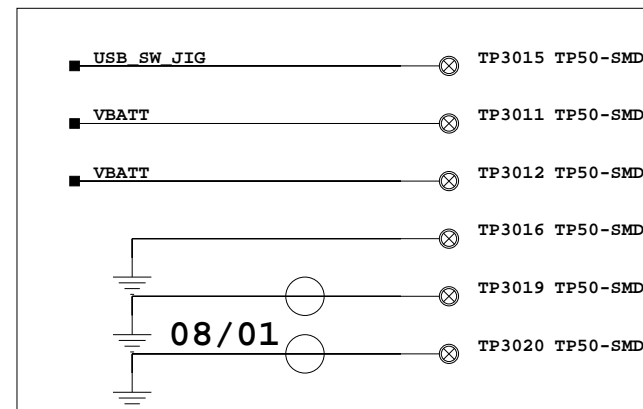
VBUS/VBATT/D+/D-/USB_SW_JIG_TEST/:2*TP50

TEST POINT for CT and BT



BOOT_MODE R3001 TP3018 TP32-SMD

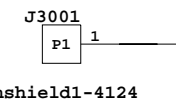
TEST POINT for PT



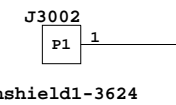
MARK POINT

- ID3001
- ID3002
- ID3003
- ID3004
- ID3005
- ID3006

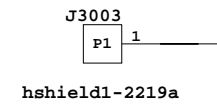
PMU



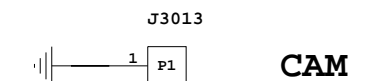
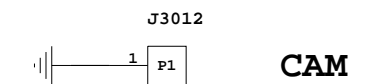
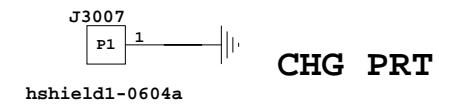
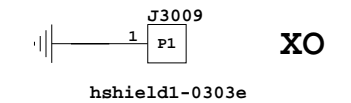
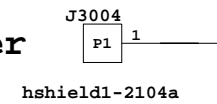
AP



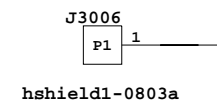
RF



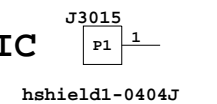
Charger



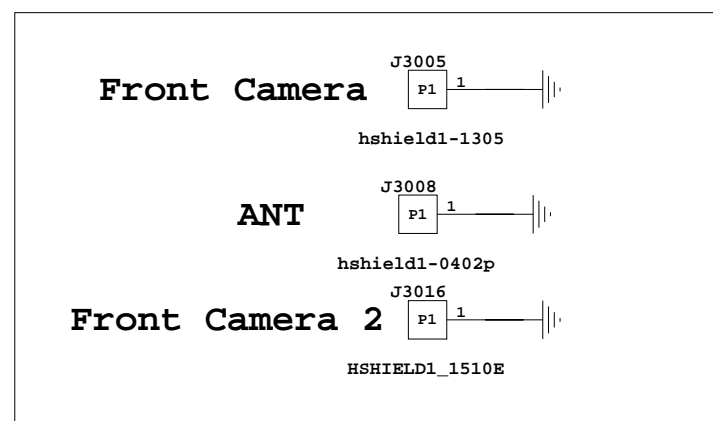
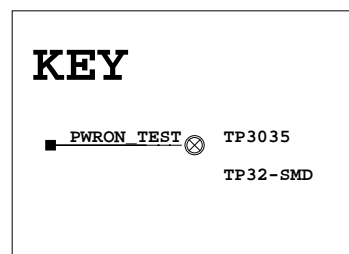
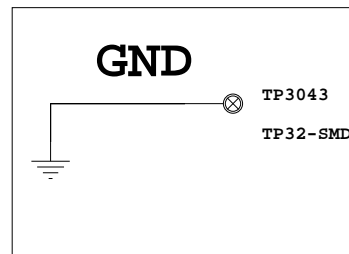
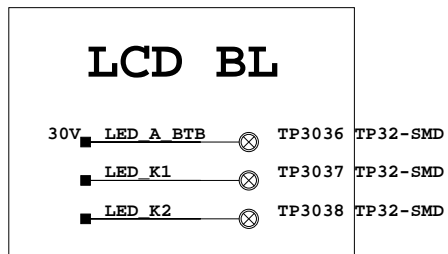
BALUN



Second MIC



FUNCTION TEST



The type and specification of the components refer to the BOM

				09-10-2017_20:01
			NA	2017.12.23
			ECA NO	DATE
DESIGNED	BYD	荣耀V10		
REVIEWED	BYD			
		VER	PART_NUMBER	SHEET 30 Test Points/Shields
HUAWEI TECH CO.,LTD.				



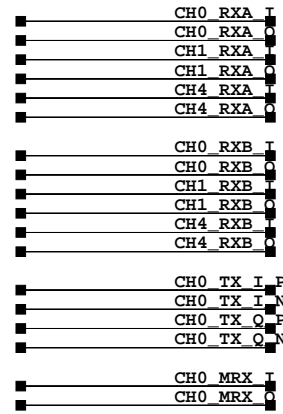
该文档是极速PDF编辑器生成, 如果想去掉该提示, 请访问并下载: <http://www.jisupdfeditor.com/>

31.RF Interface

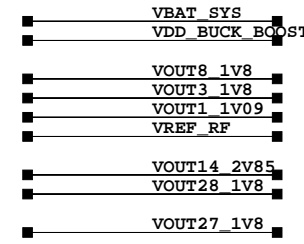


该文档是极速PDF编辑器生成，
如果想去掉该提示，请访问并下载：
<http://www.jisupdfeditor.com/>

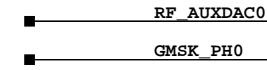
RFIC IQ



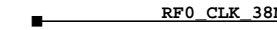
POWER



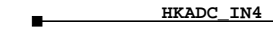
GSM



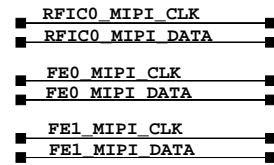
CLK



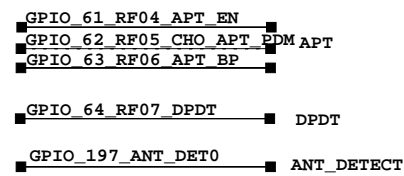
HKADC



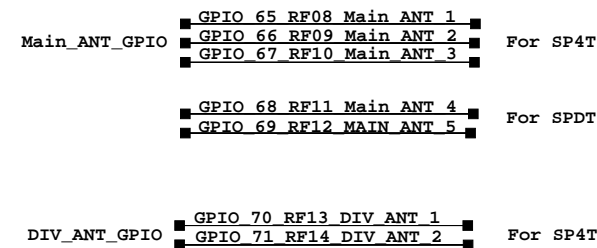
MIPI Interface



GPIO Interface



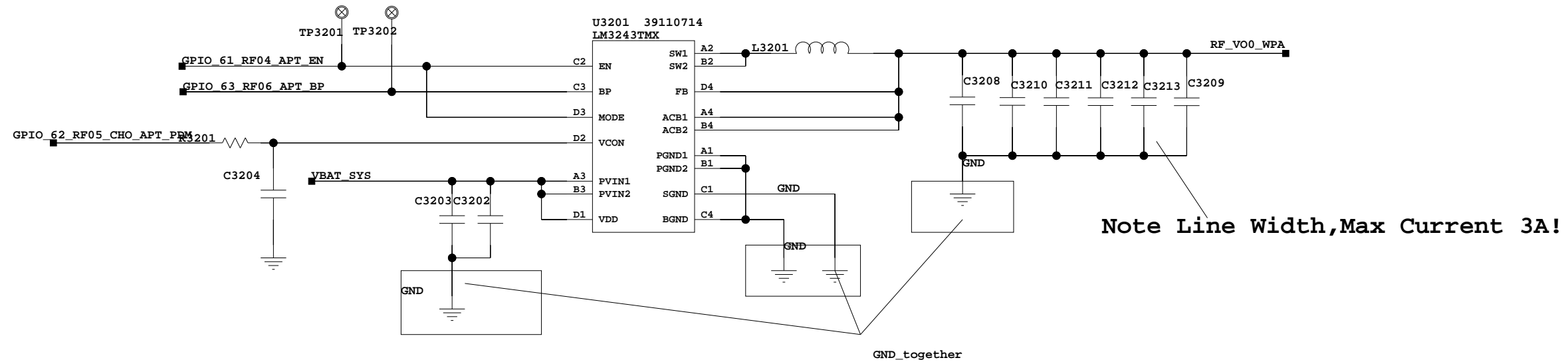
ANT Interface



The type and specification of the components refer to the BOM

					13-09-2017_20:23
					20140523
				ECA NO	DATE
DESIGNED	gumingpeng 00358948	荣耀V10		03024GXE_SCHZH	
REVIEWED	xujianguo 00312186				
		VER	PART_NUMBER	SHEET 31 of 38	
			03024GXE	HUAWEI TECH CO.,LTD.	

32 APT_LM3243



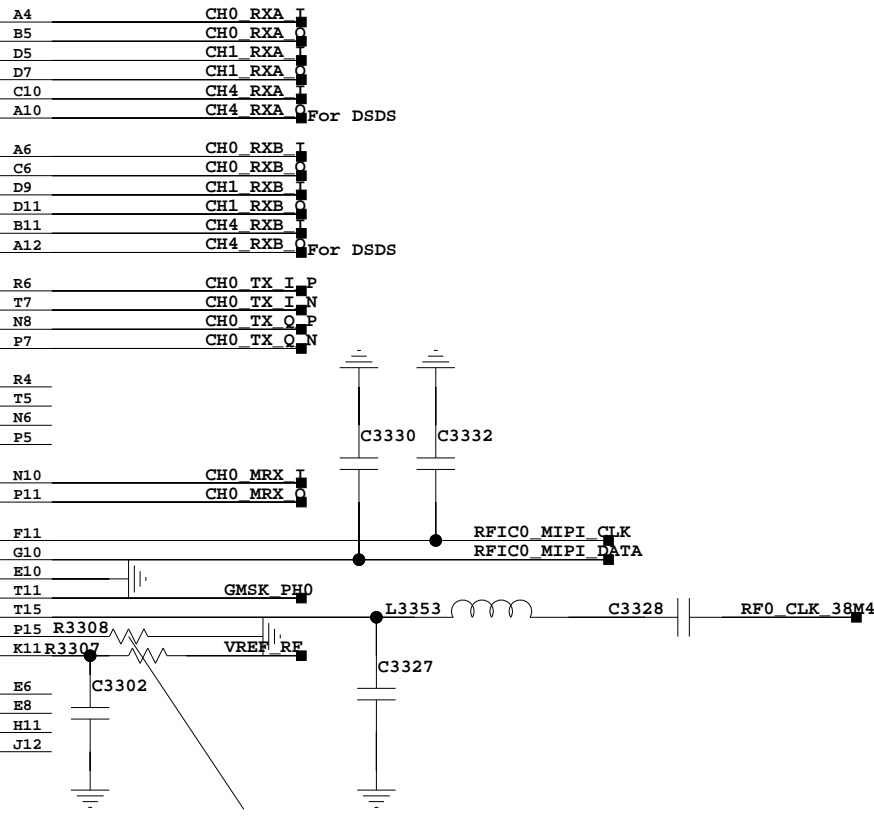
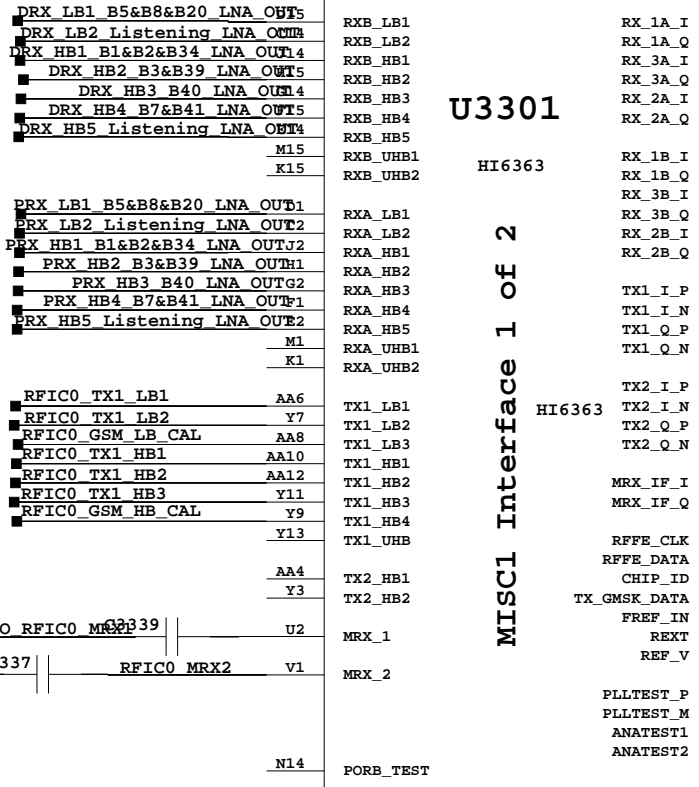
Note Line Width,Max Current 3A!

The type and specification of the components refer to the BOM

				NA	2017/01/01
				ECA NO	DATE
DESIGNED	gumingpeng 00358948	HL1AALPSM		03024GXE_SCHZH	
REVIEWED	xujianguo 00312186	VER	PART_NUMBER	SHEET 32 OF 60	
		A	03024GXE	HUAWEI TECH CO.,LTD.	

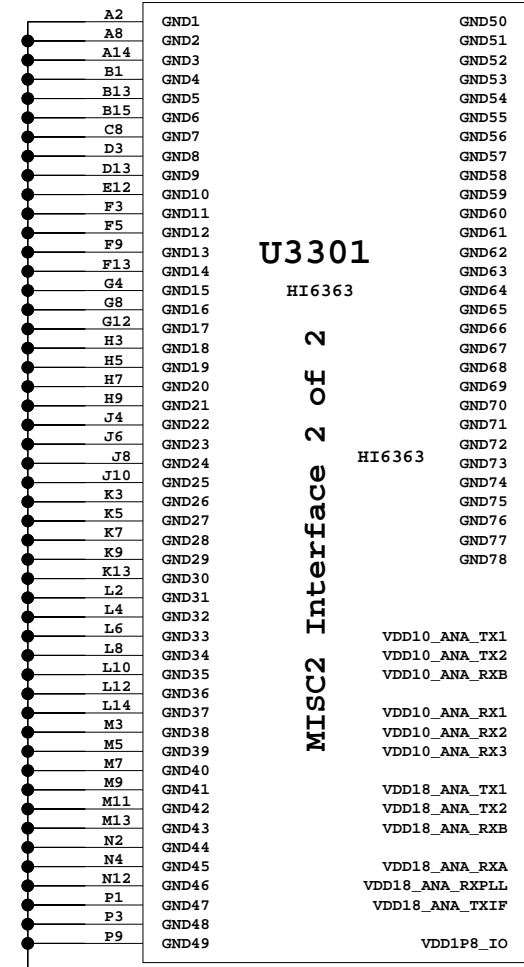
33.RFIC0_Hi6363

A

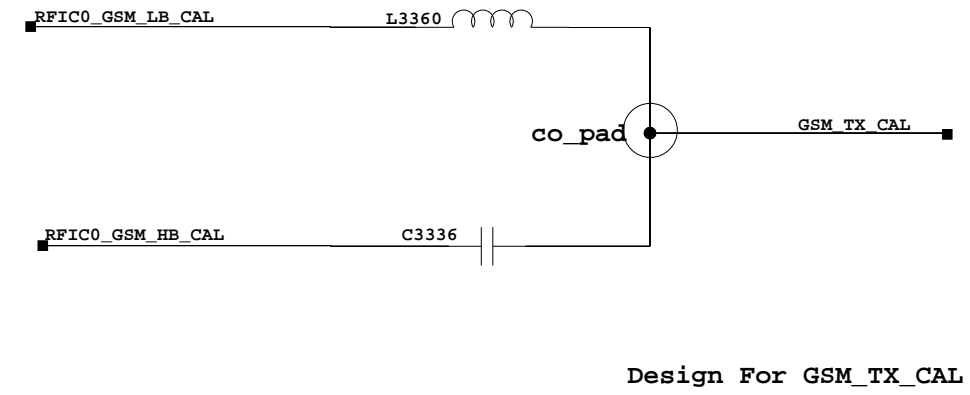
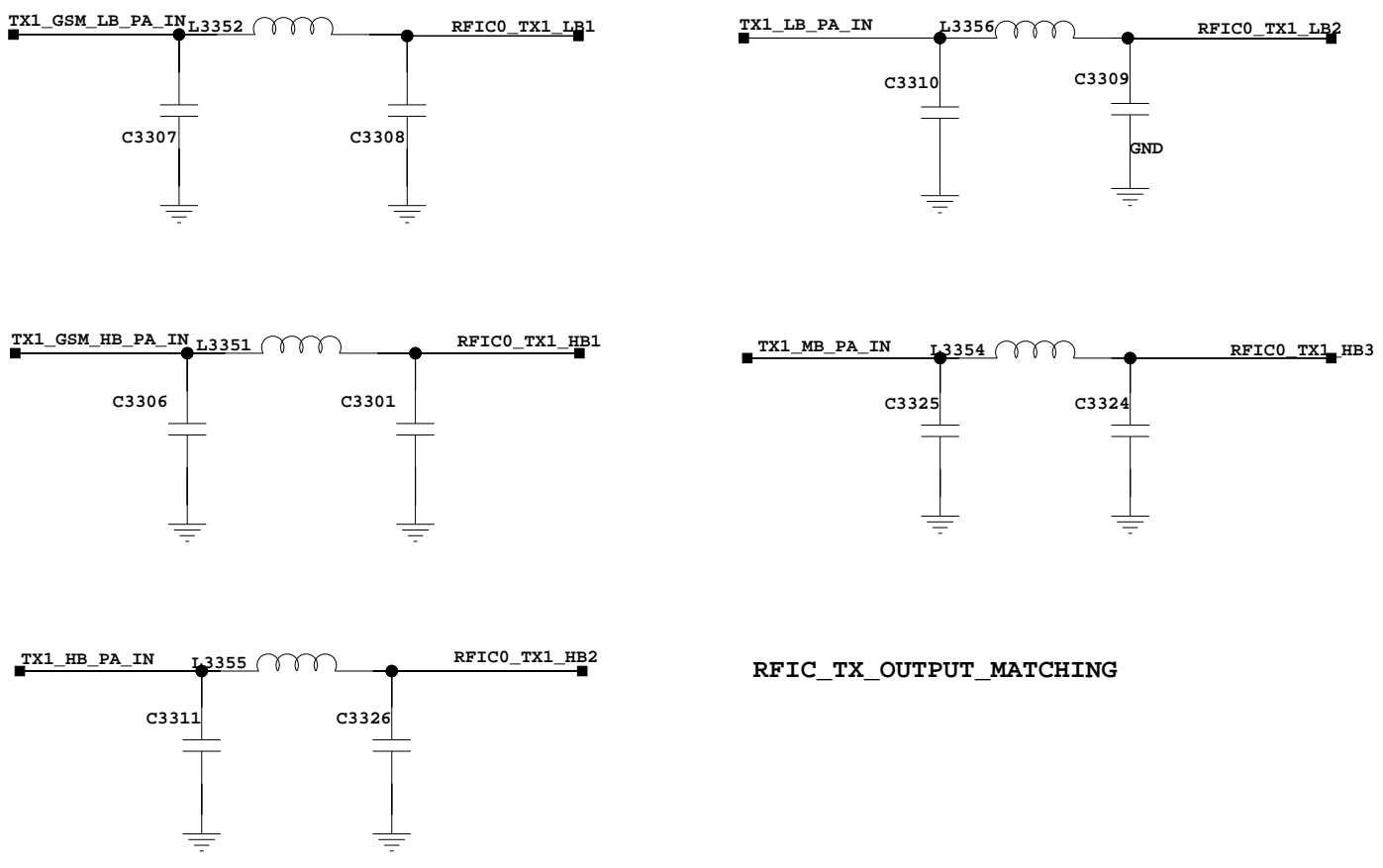


R3308 Need 37.4K , and 1%

B



C



The type and specification of the components refer to the BOM

DESIGNED	gumingpeng 00358948	HL1AALPSM	03024GXE_SCHZH
REVIEWED	xujianguo 00312186	VER	PART_NUMBER
		A	03024GXE
			SHEET 33 OF 60
			HUAWEI TECH CO.,LTD.

1

2

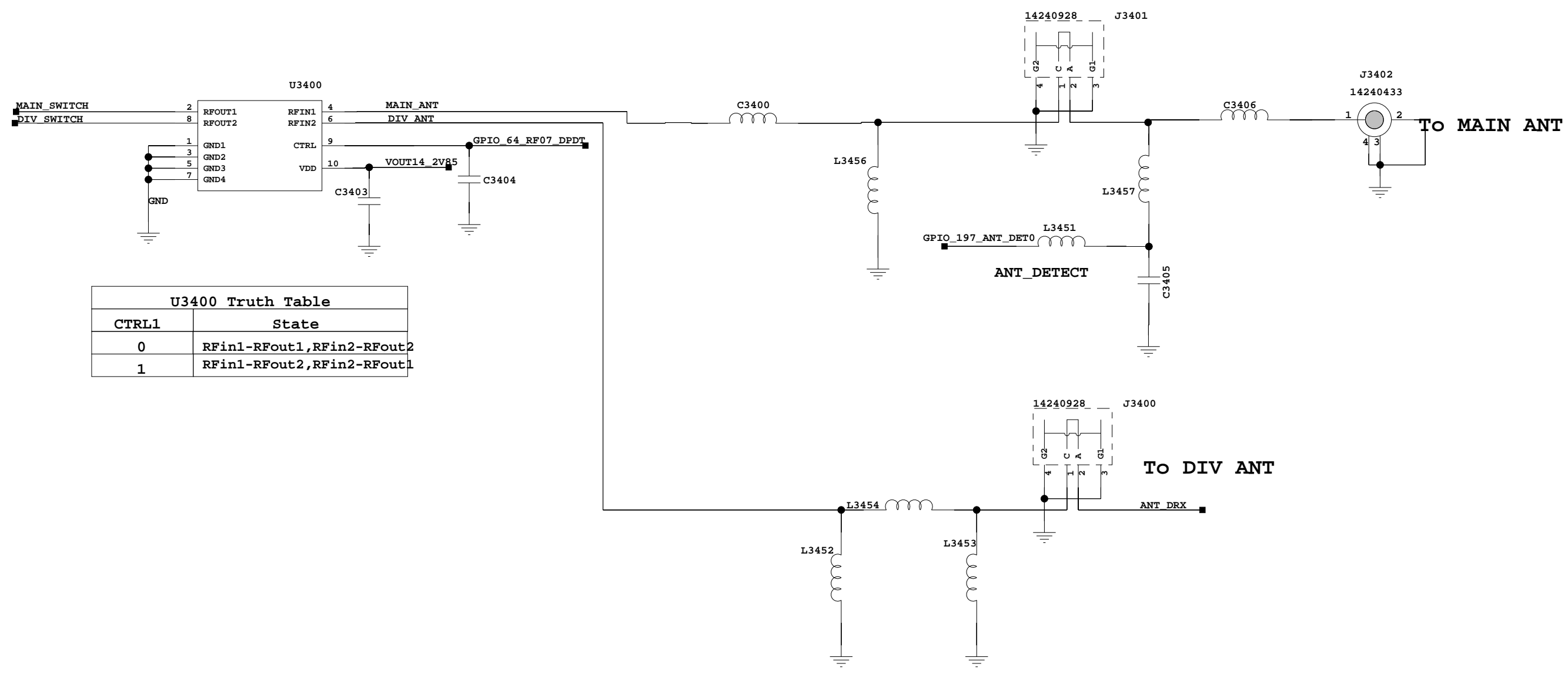
3

4

5

6

34 DPDT_Connector



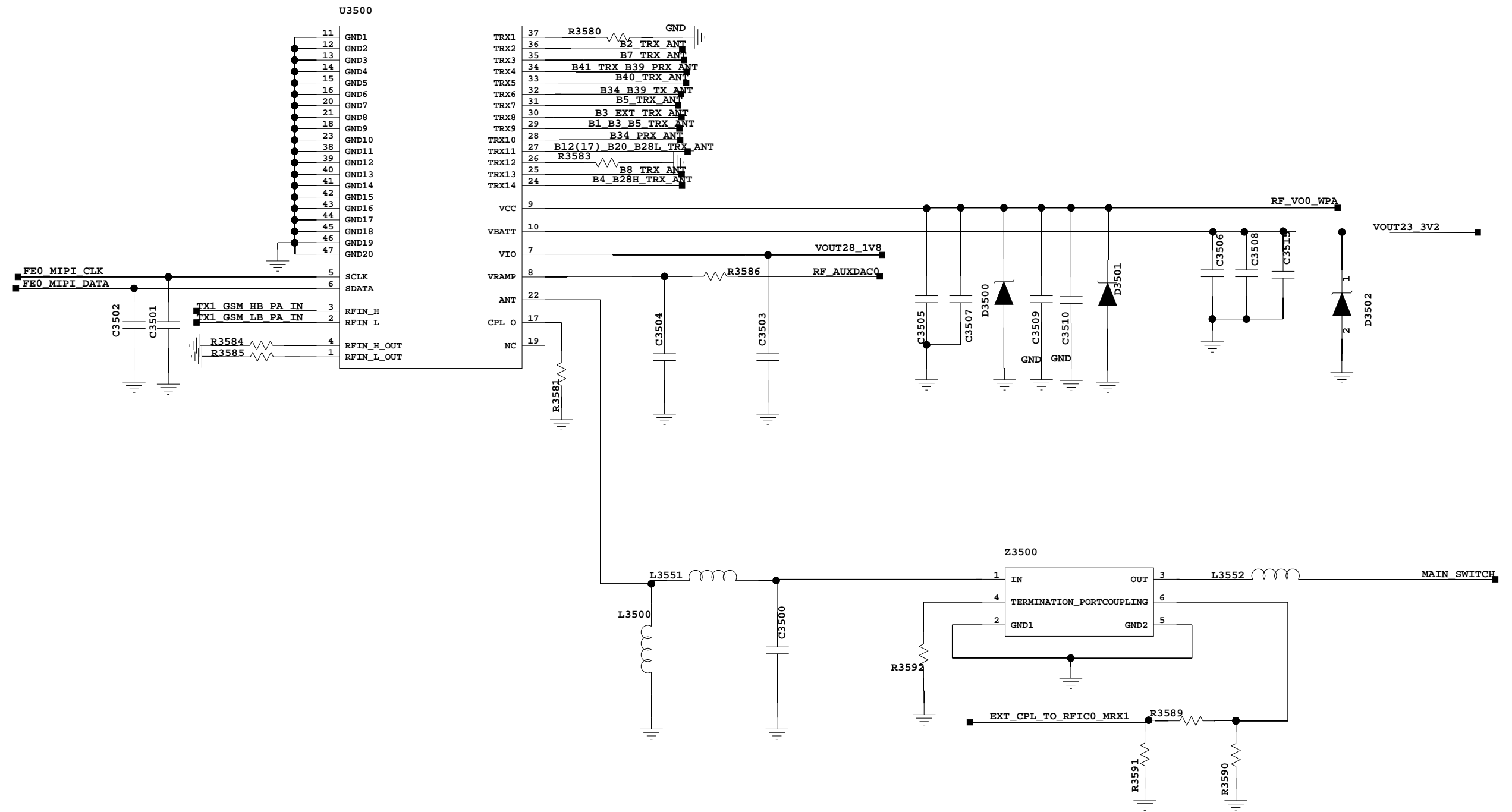
U3400 Truth Table

CTRL1	State
0	RFin1-RFout1,RFin2-RFout2
1	RFin1-RFout2,RFin2-RFout1

The type and specification of the components refer to the BOM

				NA	
				ECA NO	DATE
DESIGNED	gumingpeng 00358948		HL1AALPSM		03024GXE_SCHZH
REVIEWED	xujianguo 00312186		VER	PART_NUMBER	SHEET 38 OF 60
			A	03024GXE	HUAWEI TECH CO.,LTD.

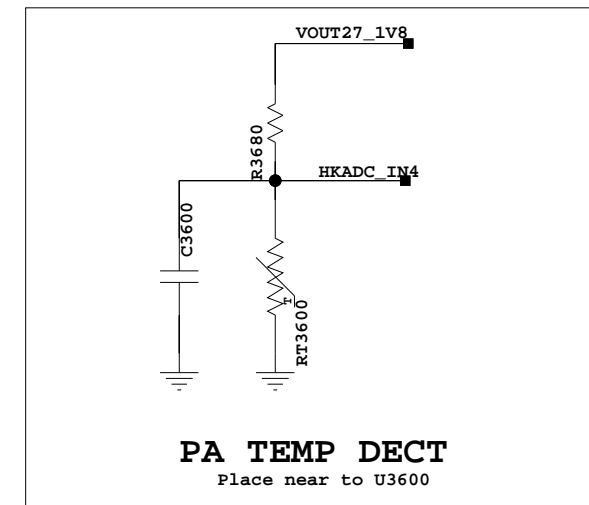
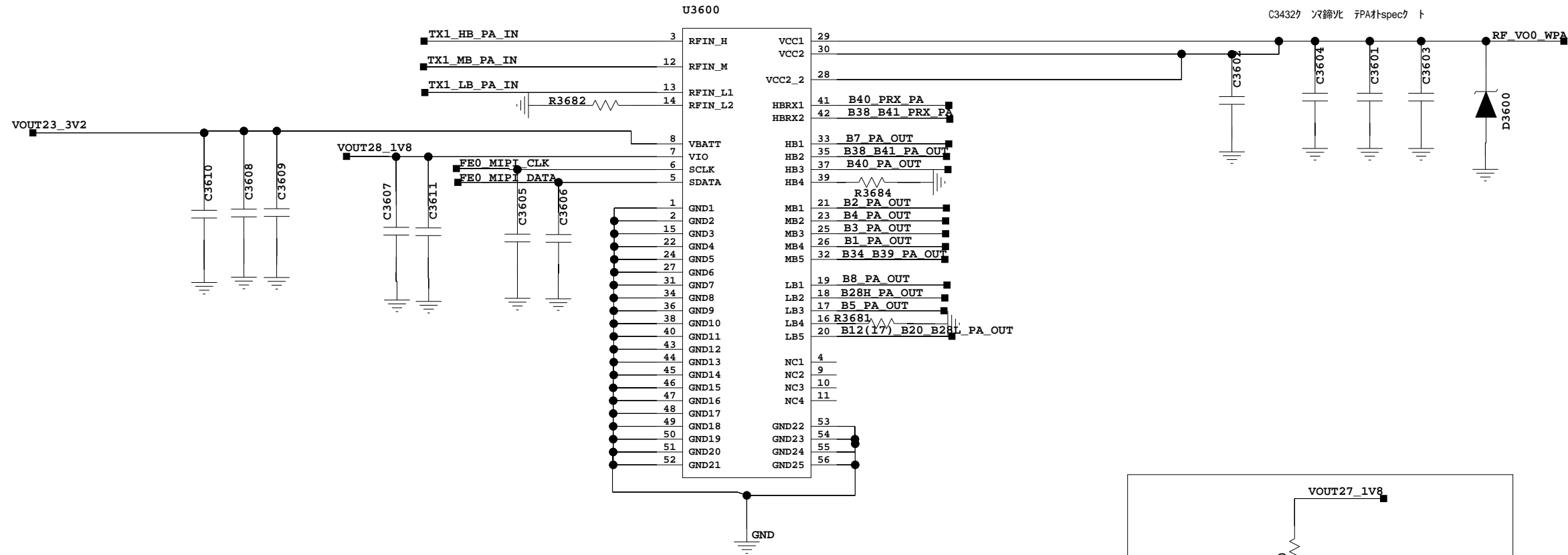
35. TXM



The type and specification of the components refer to the BOM

				NA	2015-12-26
				ECA NO	DATE
DESIGNED	gumingpeng 00358948	HL1AALPSM		03024GXE_SCHZH	
REVIEWED	xujianguo 00312186	VER	PART_NUMBER	SHEET 37 OF 60	
		A	03024GXE	HUAWEI TECH CO.,LTD.	

36 MMBPA

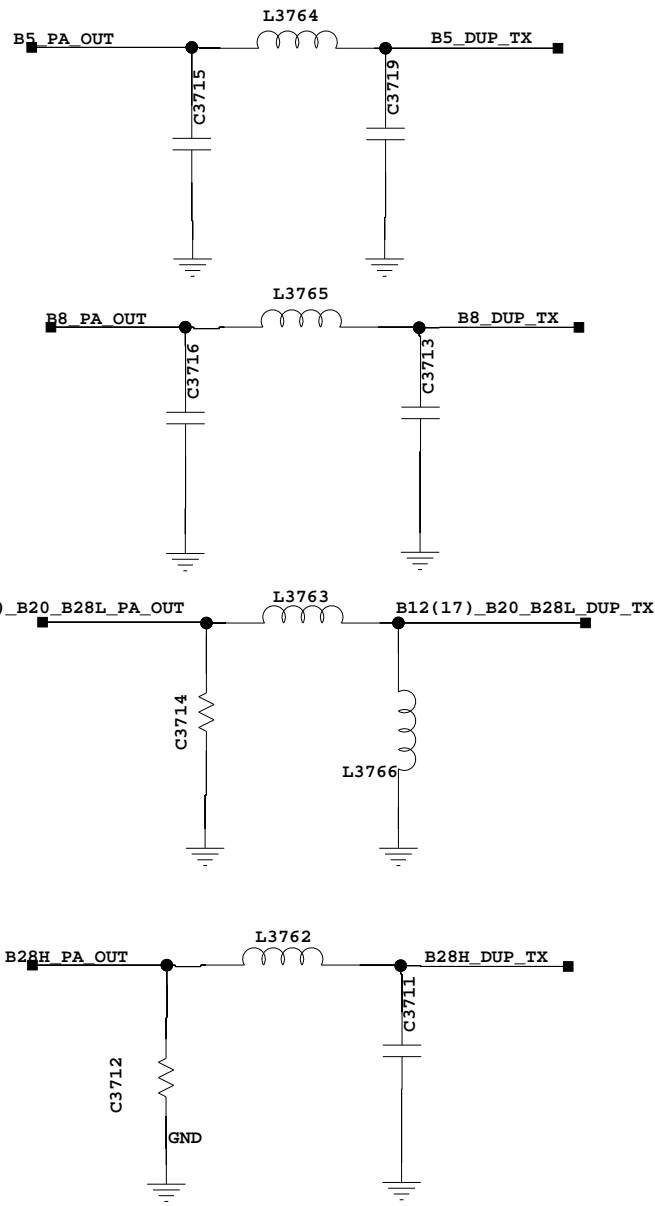


The type and specification of the components refer to the BOM

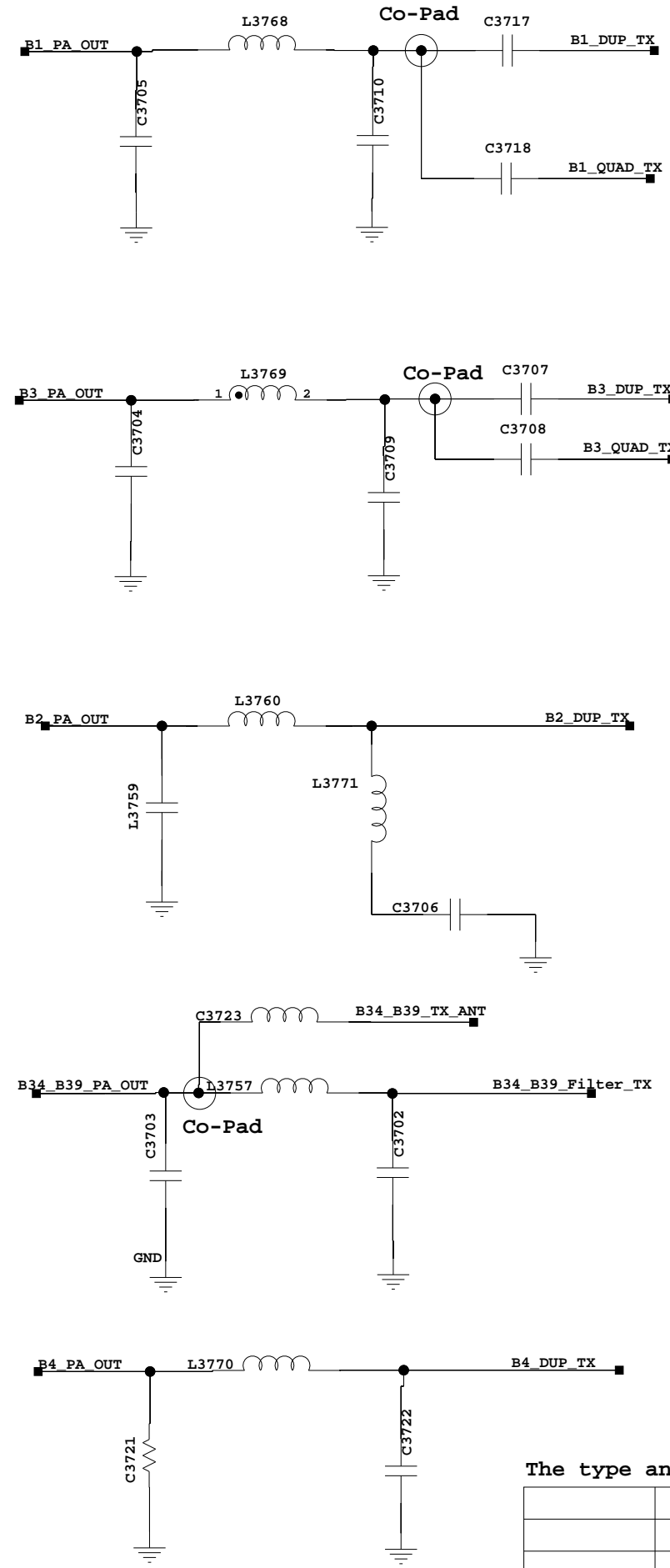
					2016-05-30
				ECA NO	DATE
DESIGNED	gumingpeng 00358948	HL1AALPSM		03024GXE_SCHZH	
REVIEWED	xujianguo 00312186	VER	PART_NUMBER	SHEET 34 OF 60	
		A	03024GXE	HUAWAI TECH CO.,LTD.	

37.TX_Loadpull

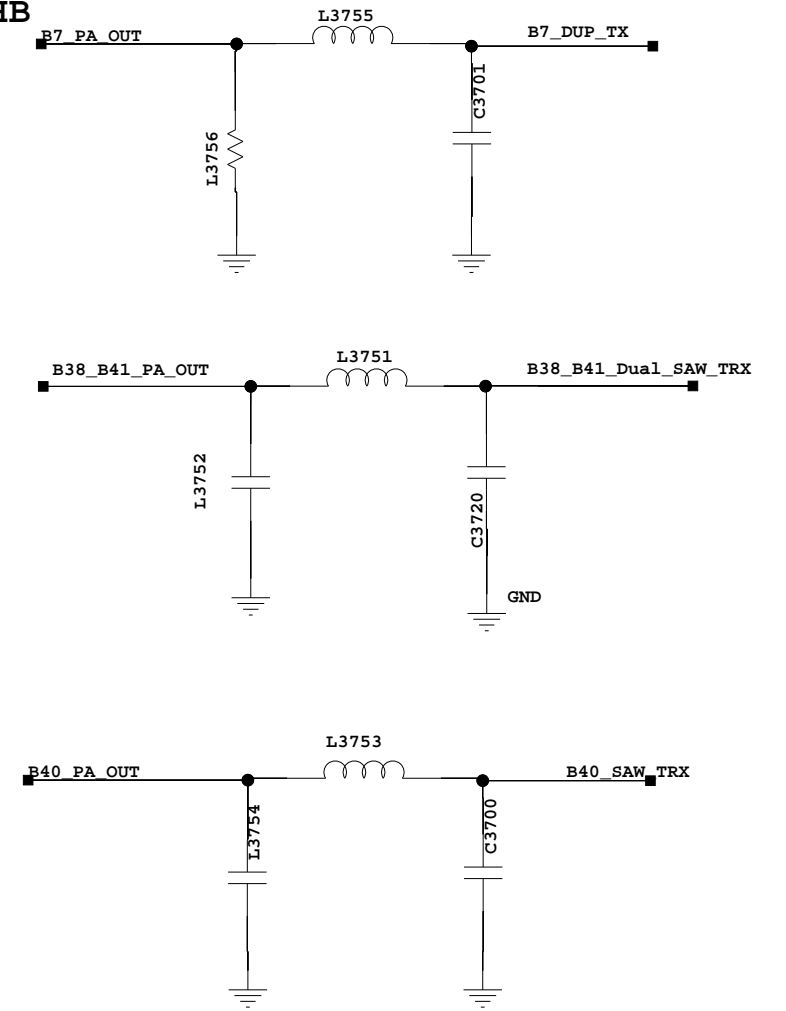
LB



MB



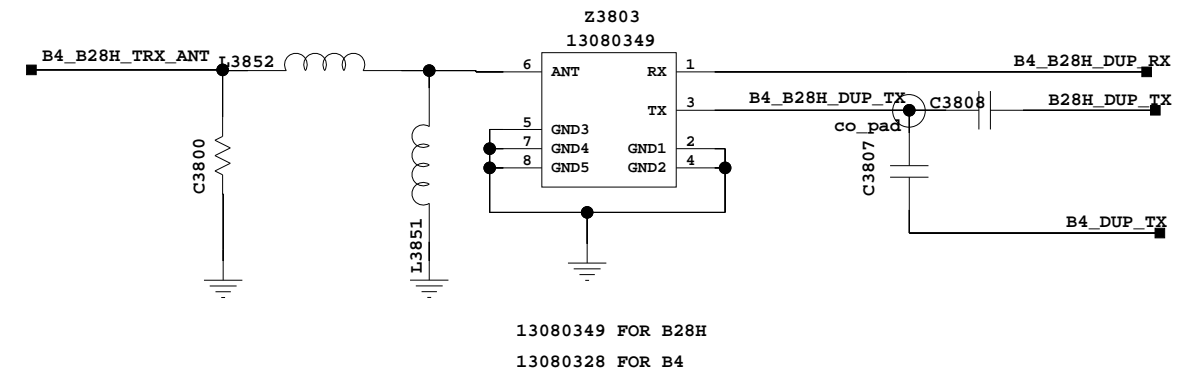
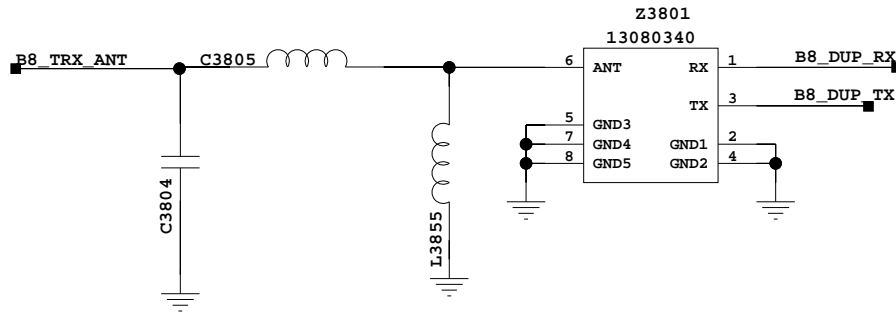
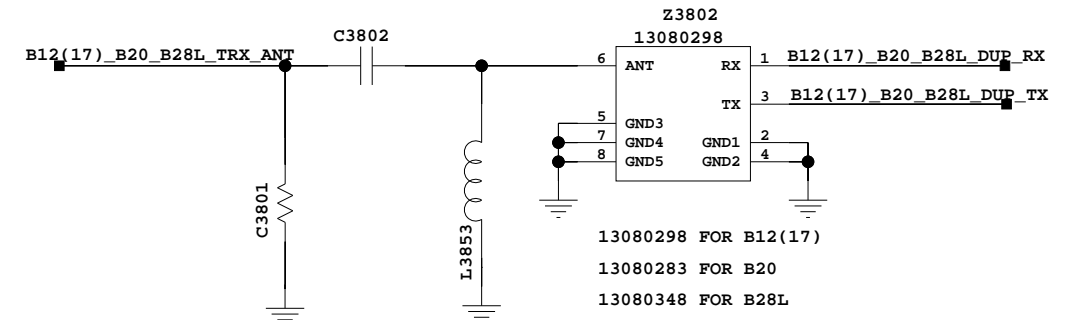
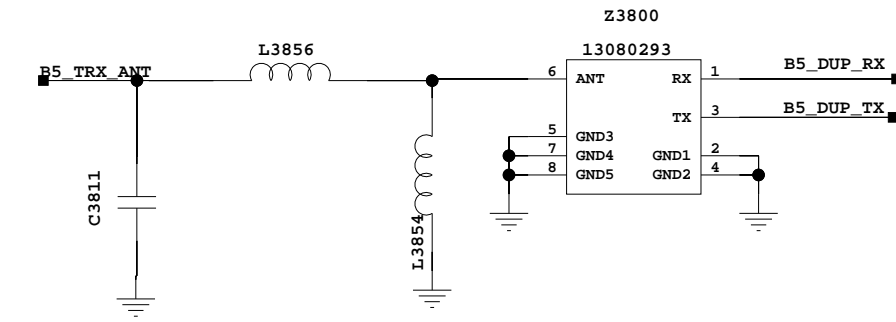
HB



The type and specification of the components refer to the BOM

				NA	2015-12-26
				ECA NO	DATE
DESIGNED	gumingpeng 00358948		HL1AALPSM		03024GXE_SCHZH
REVIEWED	xujianguo 00312186		VER	PART_NUMBER	SHEET 37 OF 60
			A	03024GXE	HUAWEI TECH CO.,LTD.

38 TRX_LB_1



The type and specification of the components refer to the BOM

				NA	
				ECA NO	DATE
DESIGNED	gumingpeng 00358948	HL1AALPSM		03024GXE_SCHZH	
REVIEWED	xujianguo 00312186	VER	PART_NUMBER	SHEET 38 OF 60	
		A	03024GXE	HUAWEI TECH CO.,LTD.	

39 TRX_LB_2

A

A

B

B

C

C

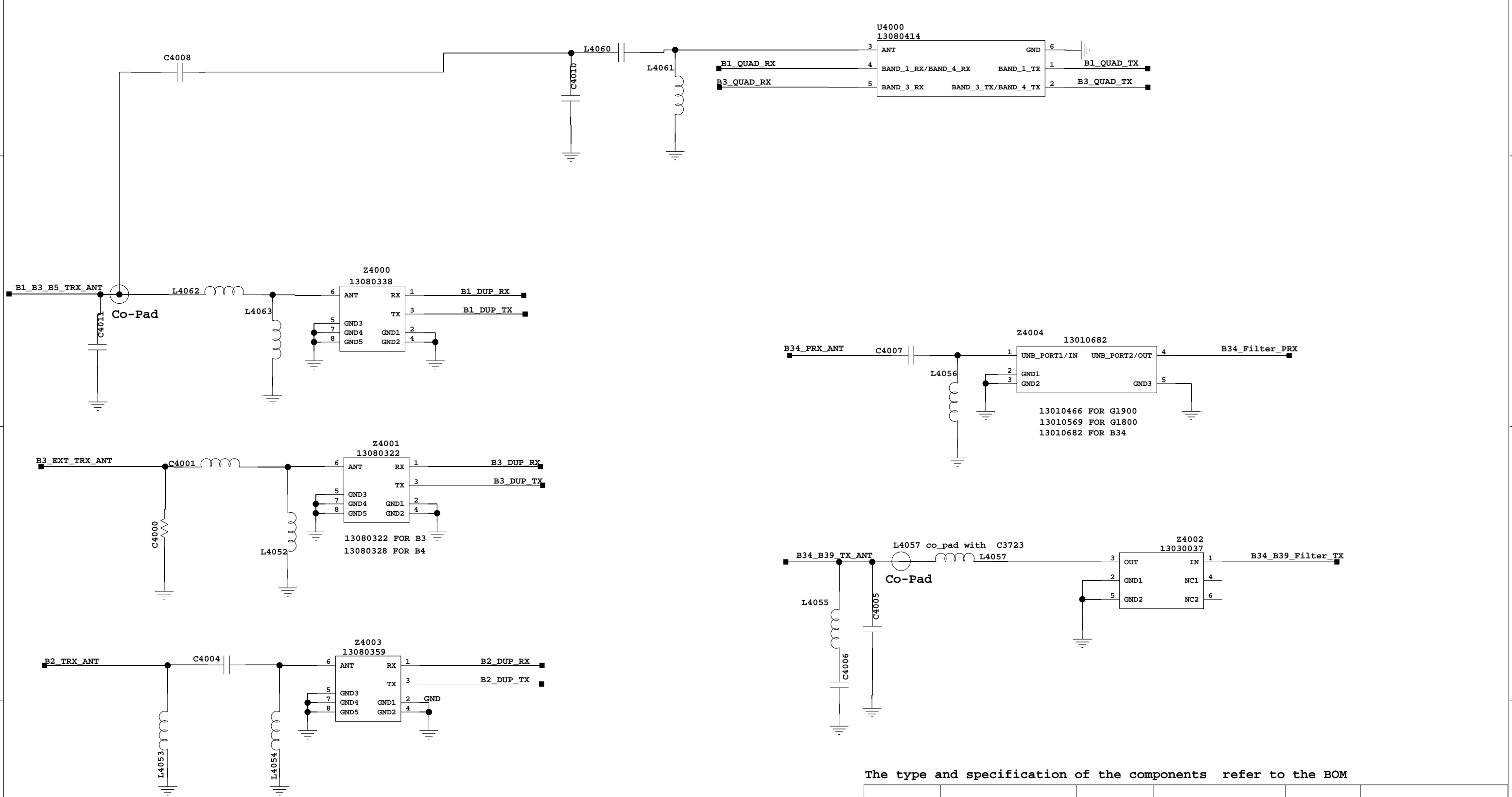
D

D

The type and specification of the components refer to the BOM

				NA	2017/01/01
				ECA NO	DATE
DESIGNED	gumingpeng 00358948		HL1AALPSM		03024GXE_SCHZH
REVIEWED	xujianguo 00312186				
		VER	PART_NUMBER	SHEET 39 OF 60	
		A	03024GXE	HUAWEI TECH CO.,LTD.	

40 TRX_MB_1



The type and specification of the components refer to the BOM

				NA	2017/01/01
				ECA NO	DATE
DESIGNED	gumingpeng 00358948			HL1AALPSM	
REVIEWED	xujianguo 00312186			03024GXE_SCHZH	
	VER	PART_NUMBER	SHEET 40 OF 60		
	A	03024GXE	HUAWEI TECH CO.,LTD.		

41 TRX_MB_2

A

A

B

B

C

C

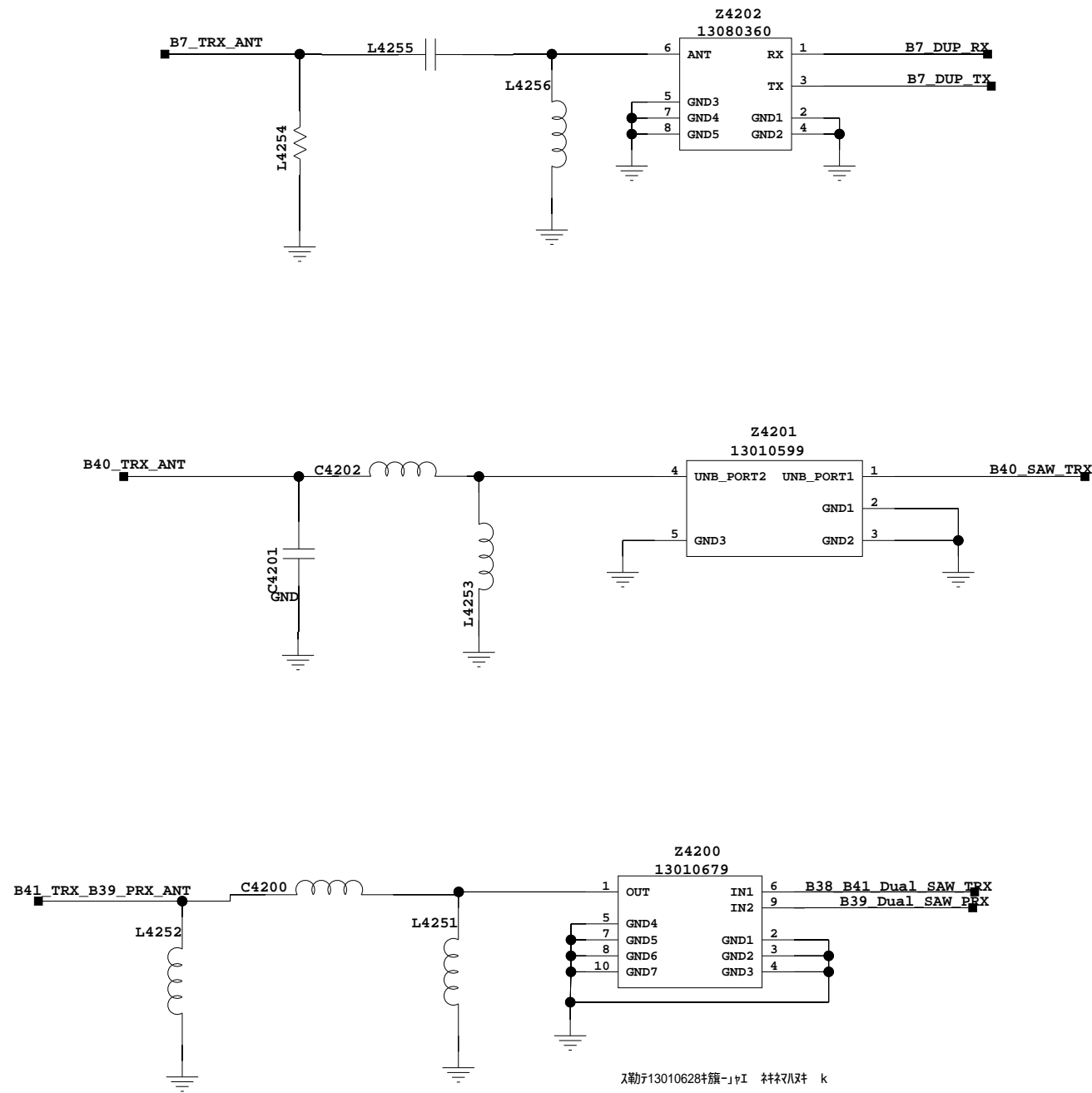
D

D

The type and specification of the components refer to the BOM

				NA	2017/01/01
				ECA NO	DATE
DESIGNED	gumingpeng 00358948			HL1AALPSM	
				03024GXE_SCHZH	
REVIEWED	xujianguo 00312186				
		VER	PART_NUMBER	SHEET 41 OF 60	
		A	03024GXE	HUAWEI TECH CO.,LTD.	

42 TRX_HB_1



The type and specification of the components refer to the BOM

				NA	2017/01/01
				ECA NO	DATE
DESIGNED	gumingpeng 00358948	HL1AALPSM		03024GXE_SCHZH	
REVIEWED	xujianguo 00312186	VER	PART_NUMBER	SHEET 42 OF 60	
		A	03024GXE	HUAWEI TECH CO.,LTD.	

43. TRX_HB_2

A

A

B

B

C

C

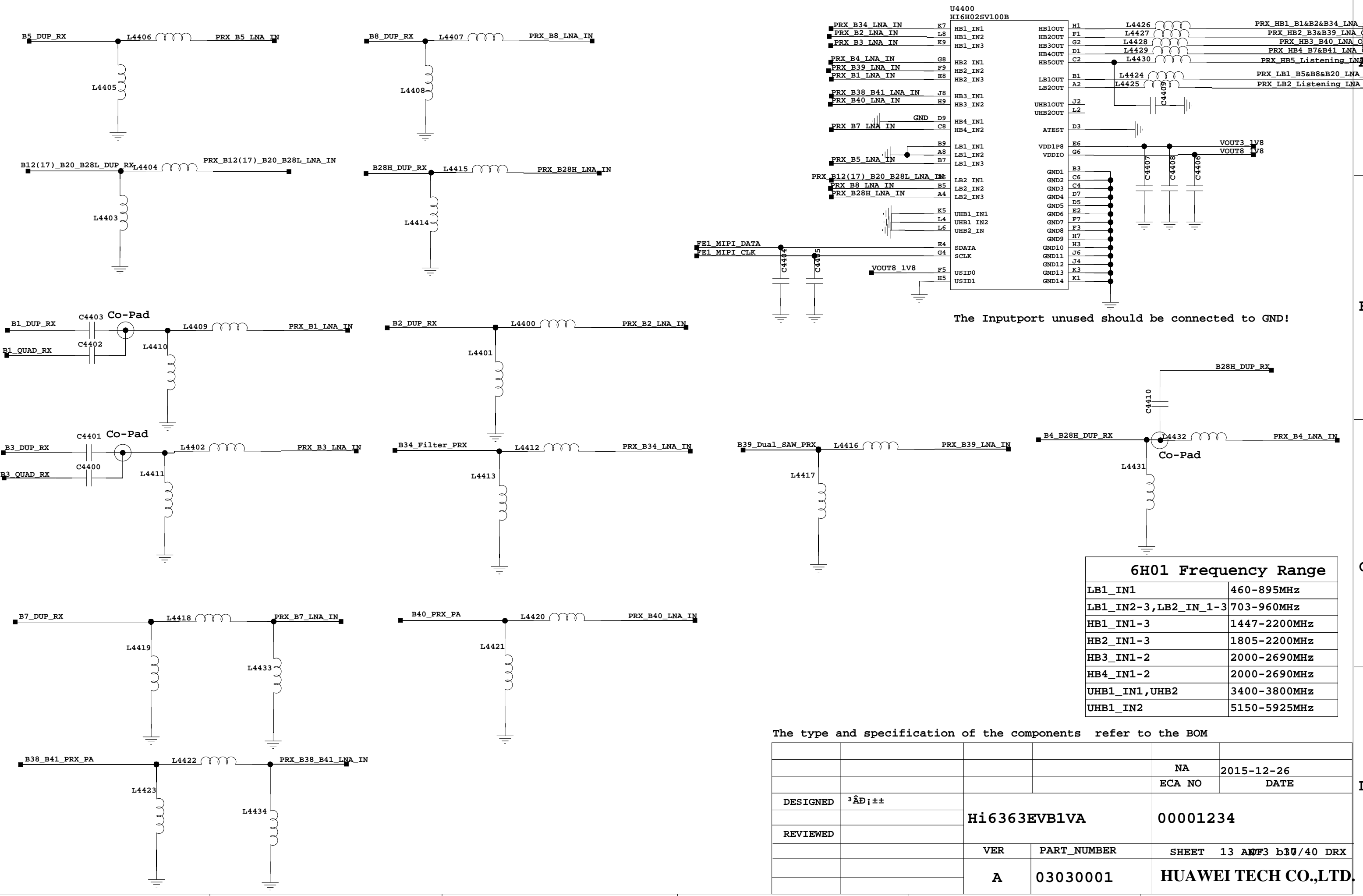
D

D

The type and specification of the components refer to the BOM

				NA	2017/01/01
				ECA NO	DATE
DESIGNED	gumingpeng 00358948			HL1AALPSM	
				03024GXE_SCHZH	
REVIEWED	xujianguo 00312186				
		VER	PART_NUMBER	SHEET 43 OF 60	
		A	03024GXE	HUAWEI TECH CO.,LTD.	

44. PRX_LNA_Module



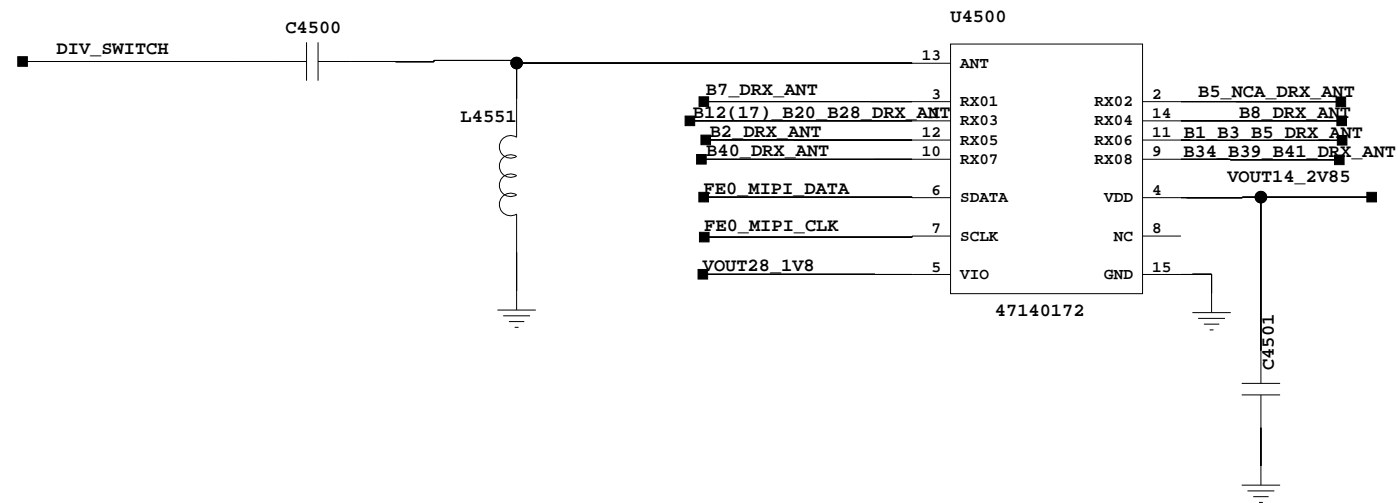
The Inputport unused should be connected to GND!

6H01 Frequency Range	
LB1_IN1	460-895MHz
LB1_IN2-3, LB2_IN_1-3	703-960MHz
HB1_IN1-3	1447-2200MHz
HB2_IN1-3	1805-2200MHz
HB3_IN1-2	2000-2690MHz
HB4_IN1-2	2000-2690MHz
UHB1_IN1, UHB2	3400-3800MHz
UHB1_IN2	5150-5925MHz

The type and specification of the components refer to the BOM

DESIGNED	³ ADj±±	Hi6363EVB1VA	00001234
REVIEWED		VER	PART_NUMBER
		A	03030001
		SHEET	13 AND 3 b10/40 DRX
		HUAWAI TECH CO.,LTD.	

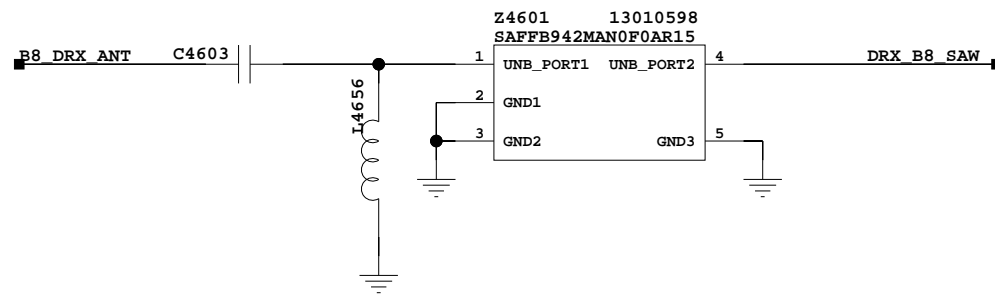
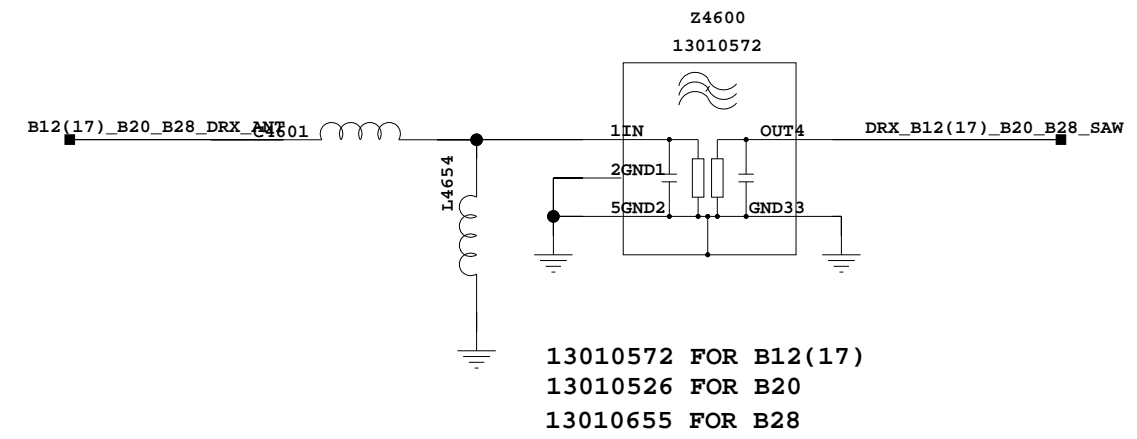
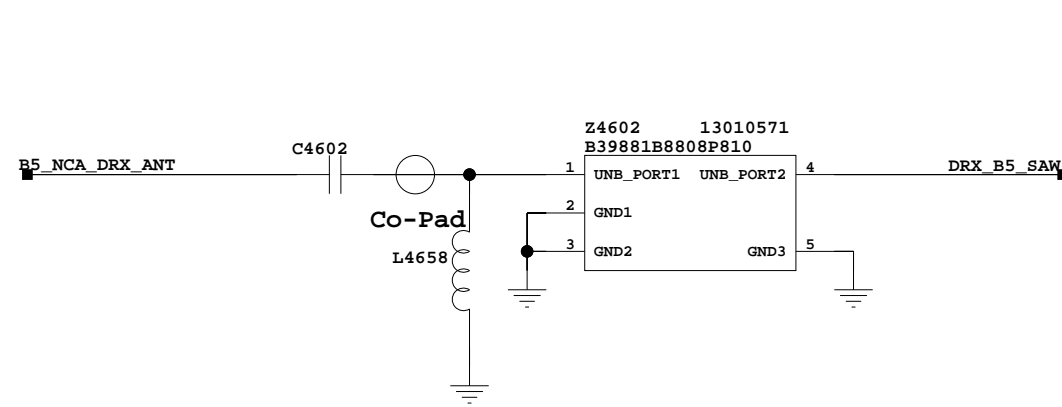
45.DRX_SWITCH



The type and specification of the components refer to the BOM

				NA	2015-12-26
				ECA NO	DATE
DESIGNED	³Äj±±	Hi6363EVB1VA		00001234	
REVIEWED					
		VER	PART_NUMBER	SHEET 13 AND 3 b10/40 DRX	
		A	03030001	HUAWEI TECH CO.,LTD.	

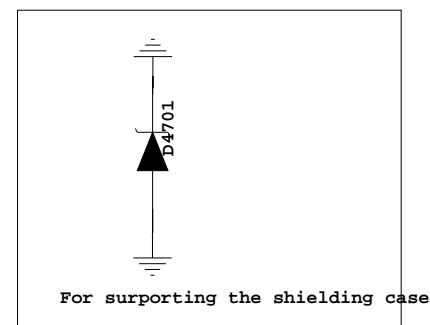
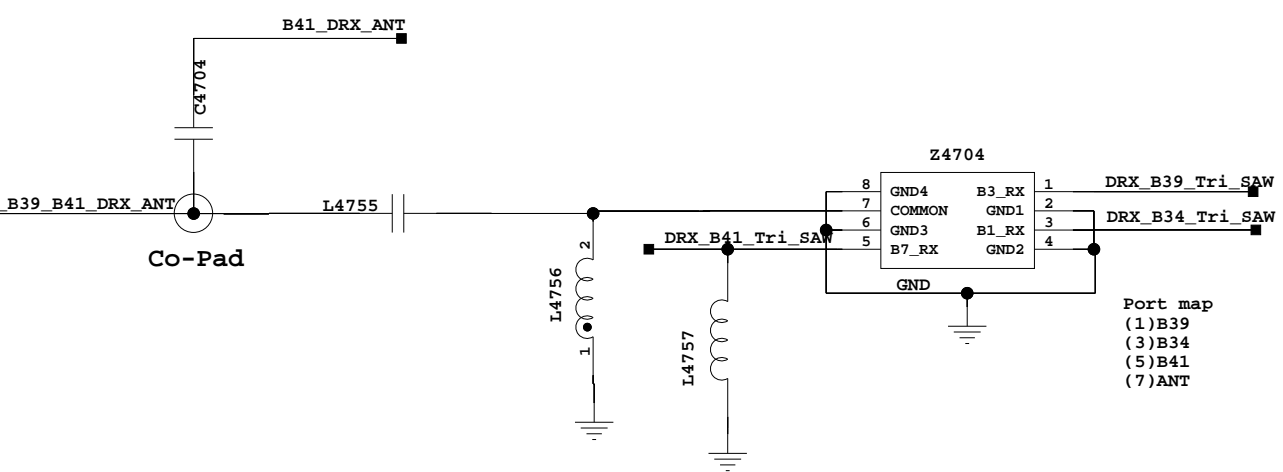
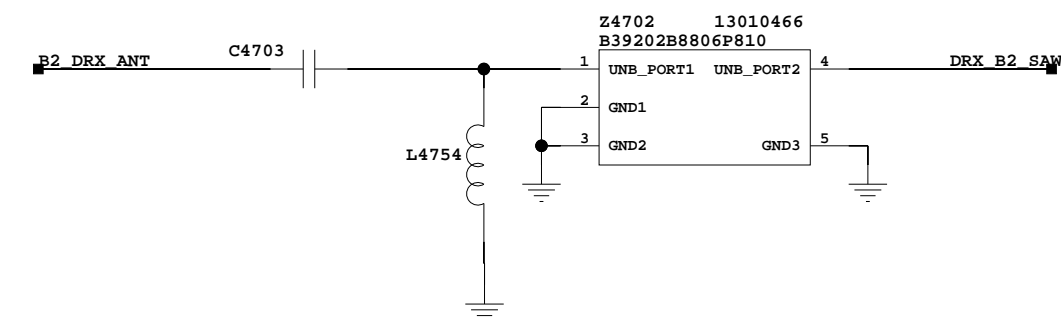
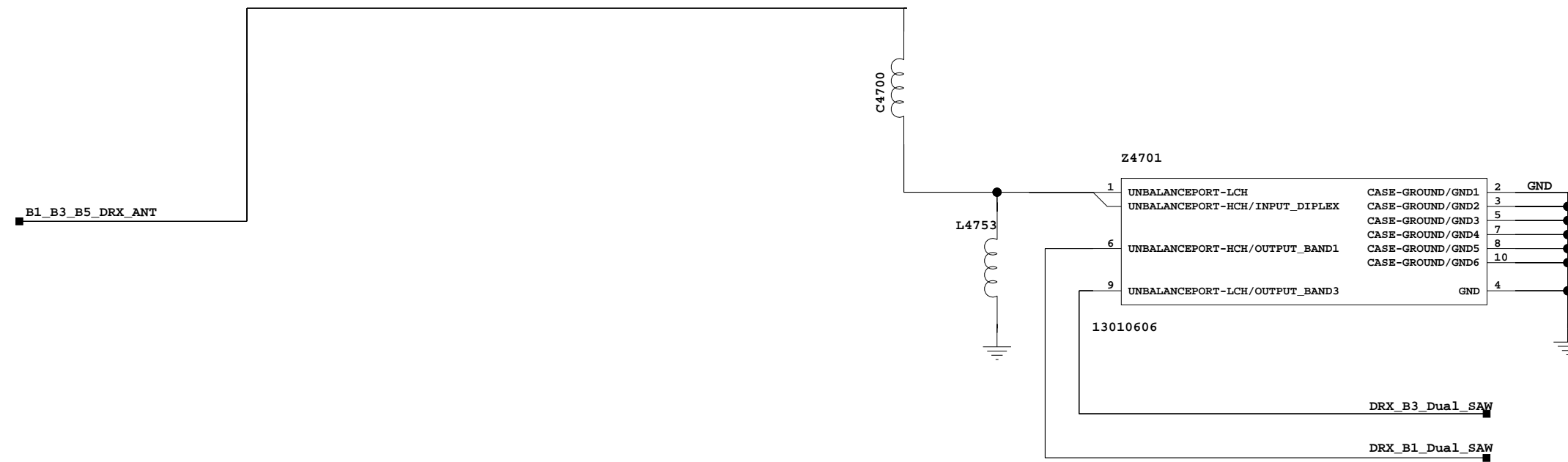
46. DRX_LB



The type and specification of the components refer to the BOM

				NA	20140523
				ECA NO	DATE
DESIGNED	yuanhailin/00265042		HL1ACLUBM		
REVIEWED	yangjiangtao/00141174				
		VER	PART_NUMBER	SHEET 46 OF 60	
		A	03022MYN	HUAWEI TECH CO.,LTD.	

47. DRX_MB

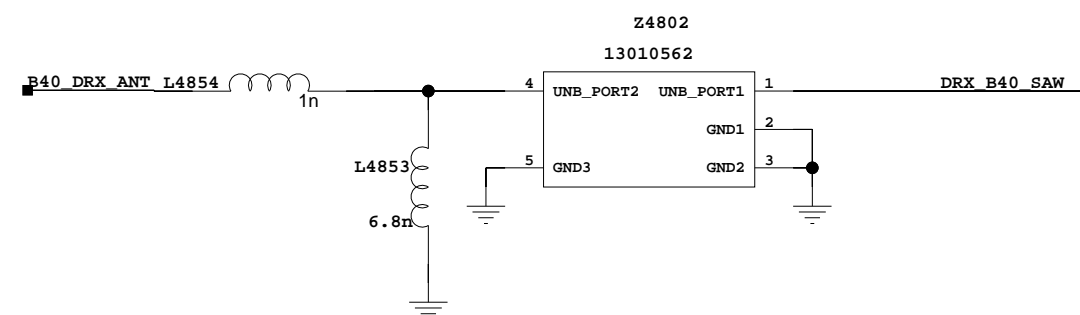
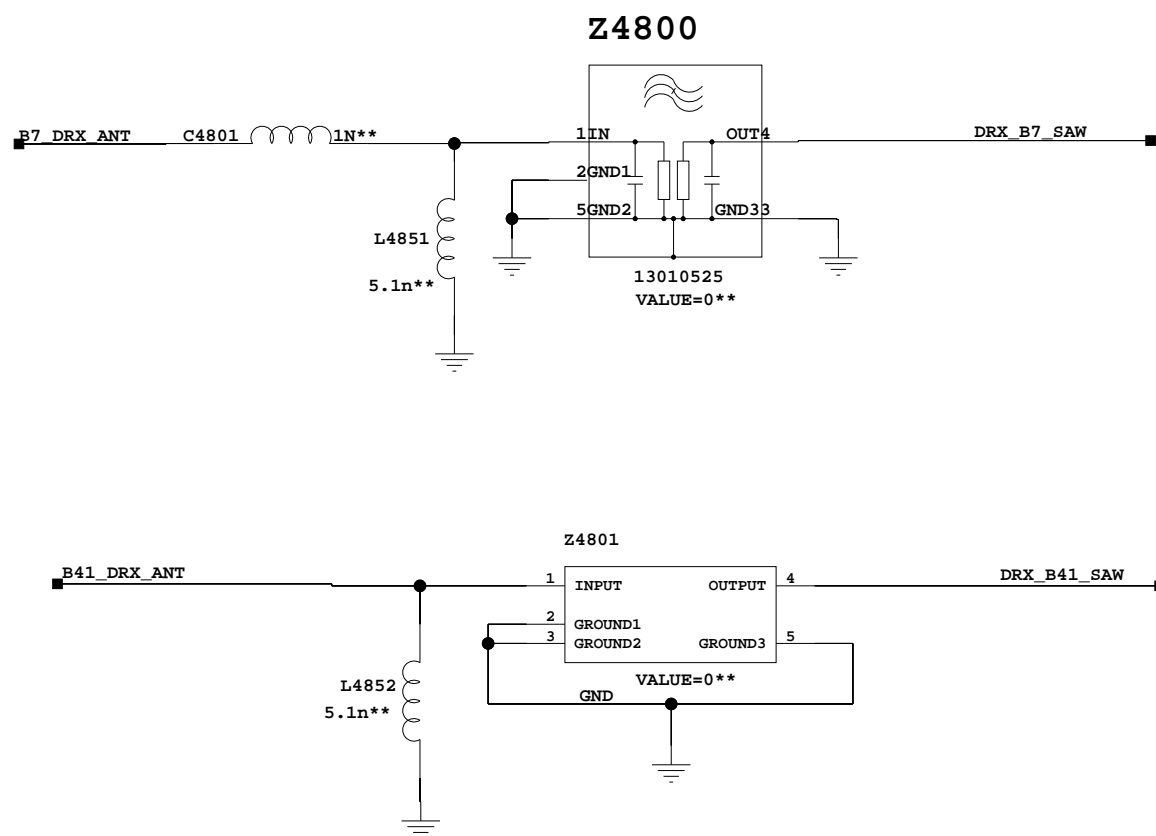


B34/39/41 Tri_SAW does not have a package; we use the package of Band 20 duplexer as its package temporarily

The type and specification of the components refer to the BOM

				NA	
				ECA NO	DATE
DESIGNED	yuanhailin/00265042	HL1ACLUBM		00001234	
REVIEWED	yangjiangtao/00141174	VER	PART_NUMBER	SHEET 47 OF 60	
		A	03022MYN	HUAWEI TECH CO.,LTD.	

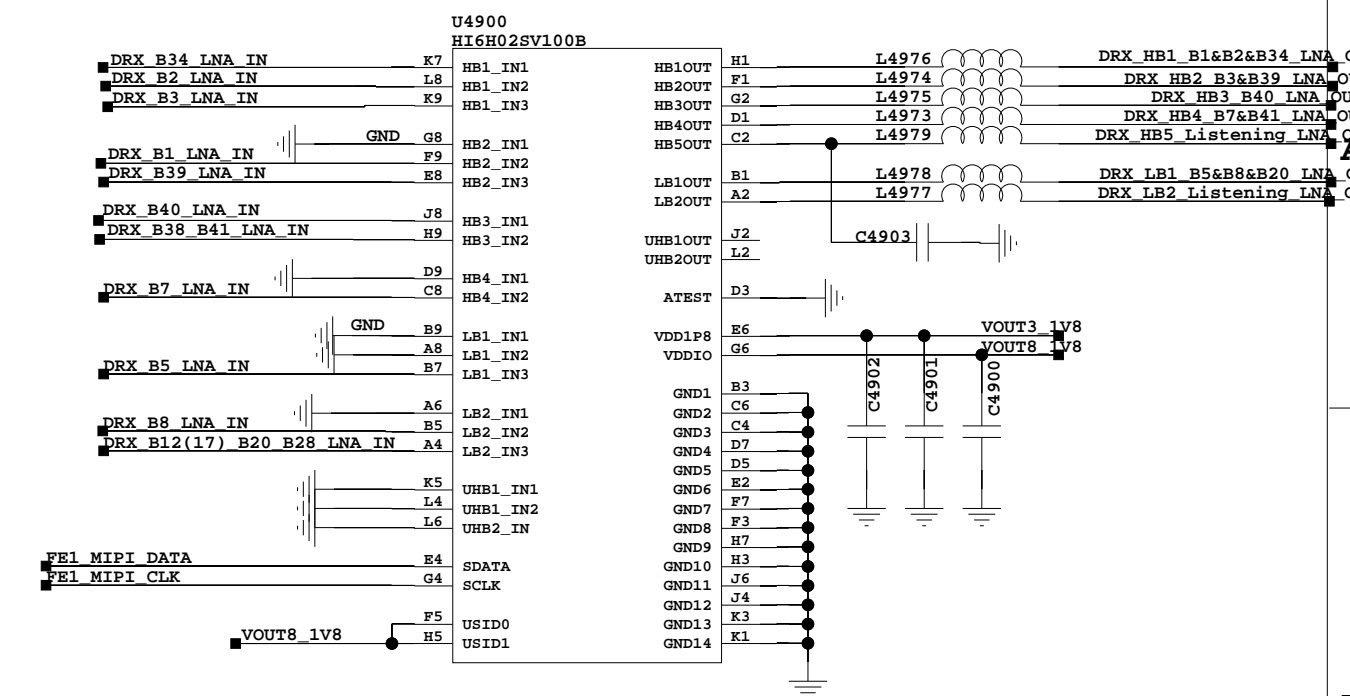
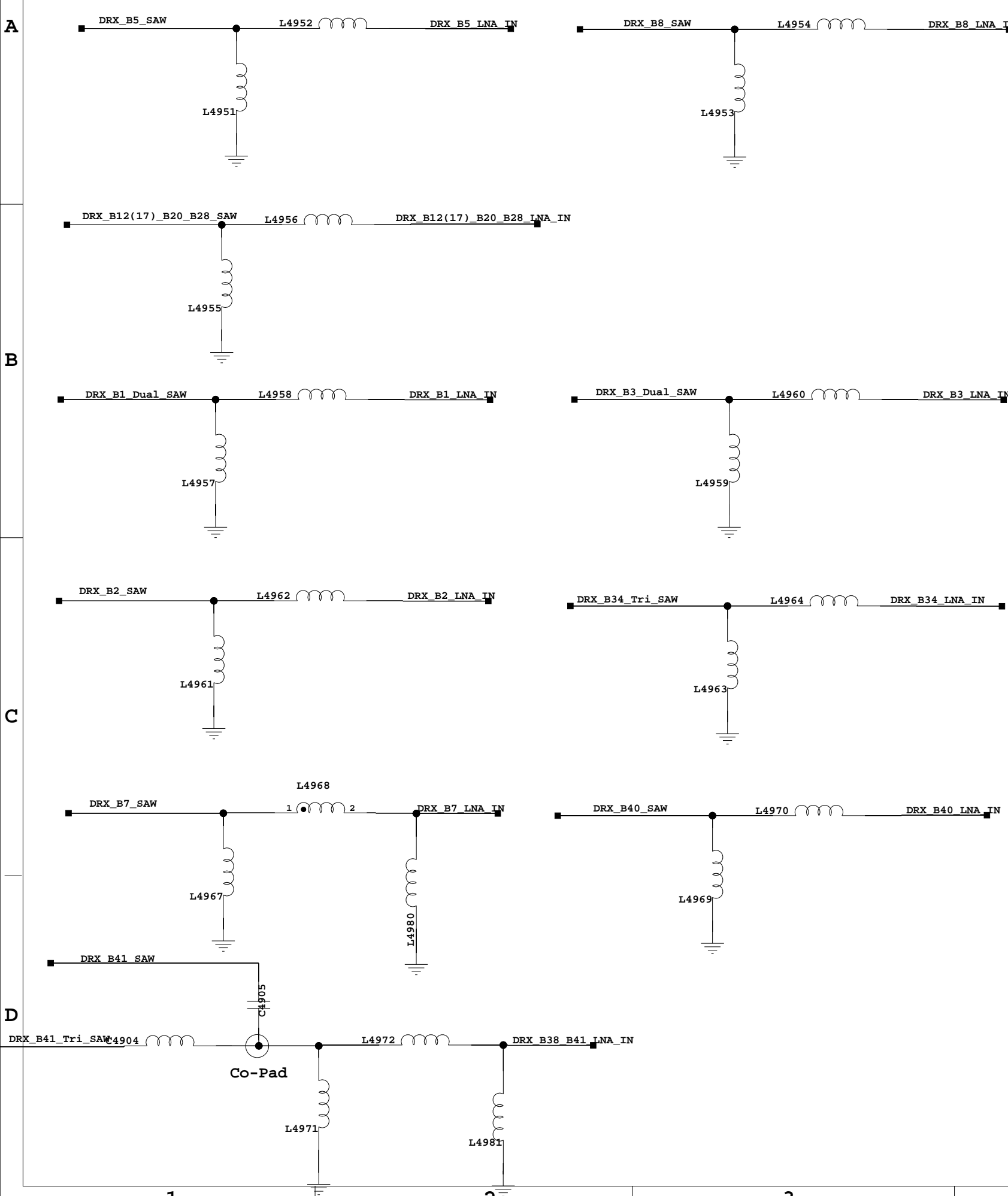
48. DRX_HB



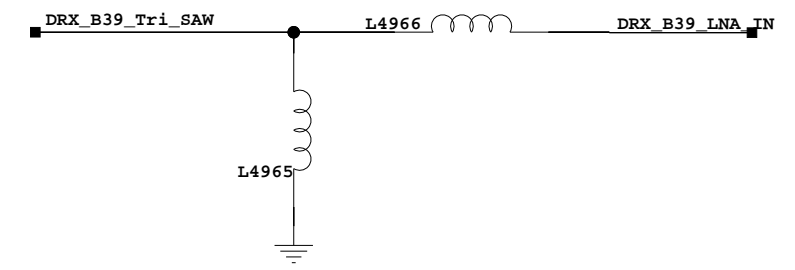
The type and specification of the components refer to the BOM

					20160108
				ECA NO	DATE
DESIGNED	ZHANGCHAO 00361235	HL1ACLUBM		03023RPL_SCHZH	
REVIEWED	SHUYINGFEI 00186183	VER	PART_NUMBER	SHEET 48 OF 60	
		A	03023RPL	HUAWEI TECH CO.,LTD.	

49. DRX_LNA_Module



The Inputport unused should be connected to GND!



6H01 Frequency Range	
LB1_IN1	460-895MHz
LB1_IN2-3, LB2_IN_1-3	703-960MHz
HB1_IN1-3	1447-2200MHz
HB2_IN1-3	1805-2200MHz
HB3_IN1-2	2000-2690MHz
HB4_IN1-2	2000-2690MHz
UHB1_IN1, UHB2	3400-3800MHz
UHB1_IN2	5150-5925MHz

The type and specification of the components refer to the BOM

DESIGNED	yuanhailin/00265042	HL1ACLUBM	TBD For	2014-02-27
REVIEWED	yangjiangtao/00141174		ECA NO	DATE
		VER	PART_NUMBER	SHEET 49 OF 60
		B	0302XXXX	HUAWEI TECH CO.,LTD.

50. Reserved

A

A

B

B

C

C

D

D

The type and specification of the components refer to the BOM

				TBD For	2014-02-27
				ECA NO	DATE
DESIGNED	yuanhailin/00265042	HL1ACLUBM			
REVIEWED	yangjiangtao/00141174				
		VER	PART_NUMBER	SHEET 50 OF 60	
		B	0302XXXX	HUAWEI TECH CO.,LTD.	

51. Reserved_RFIC1

A

A

B

B

C

C

D

D

The type and specification of the components refer to the BOM

					2016-05-30
				ECA NO	DATE
DESIGNED	wangsaisai/00216332	HL1ACLUBM		03023VEN	
REVIEWED	yangjiangtao 00141174				
		VER	PART_NUMBER	SHEET 51 OF 60	
		A	03012DJK	HUAWEI TECH CO.,LTD.	

52. Reserved_APT1

A

A

B

B

C

C

D

D

The type and specification of the components refer to the BOM

				ECA NO	DATE
DESIGNED	yuanhailin/00265042	HL1ACLUBM		NA	03023XXX
REVIEWED	yangjiangtao/00141174				
		VER	PART_NUMBER	SHEET 56 OF 60	
		A	03011RWN	HUAWEI TECH CO.,LTD.	

53. Reserved_MIMO_DRX2

A

A

B

B

C

C

D

D

The type and specification of the components refer to the BOM

				ECA NO	DATE
DESIGNED	yuanhailin/00265042	HL1ACLUBM		NA	03023XXX
REVIEWED	yangjiangtao/00141174			SHEET 56 OF 60	
		VER	PART_NUMBER		
		A	03011RWN	HUAWEI TECH CO.,LTD.	

54. Reserved_DRX3

A

A

B

B

C

C

D

D

The type and specification of the components refer to the BOM

				ECA NO	DATE
DESIGNED	yuanhailin/00265042	HL1ACLUBM		NA	03023XXX
REVIEWED	yangjiangtao/00141174				
		VER	PART_NUMBER	SHEET 56 OF 60	
		A	03011RWN	HUAWEI TECH CO.,LTD.	

55. Reserved_PA_SUB_6G

The type and specification of the components refer to the BOM

				ECA NO	DATE
DESIGNED	yuanhailin/00265042	HL1ACLUBM		NA	03023XXX
REVIEWED	yangjiangtao/00141174			SHEET 56 OF 60	
		VER	PART_NUMBER		
		A	03011RWN	HUAWEI TECH CO.,LTD.	

56. Reserved_TRX_SUB_6G

A

A

B

B

C

C

D

D

The type and specification of the components refer to the BOM

				ECA NO	DATE
DESIGNED	yuanhailin/00265042	HL1ACLUBM		NA	03023XXX
REVIEWED	yangjiangtao/00141174				
		VER	PART_NUMBER	SHEET 56 OF 60	
		A	03011RWN	HUAWEI TECH CO.,LTD.	

57. Reserved_DRX_SUB_6G

A

B

C

D

The type and specification of the components refer to the BOM

				ECA NO	DATE
DESIGNED	yuanhailin/00265042	HL1ACLUBM		NA	03023XXX
REVIEWED	yangjiangtao/00141174			SHEET 56 OF 60	
		VER	PART_NUMBER		
		A	03011RWN	HUAWEI TECH CO.,LTD.	

58.Reserved

A

A

B

B

C

C

D

D

The type and specification of the components refer to the BOM

				NA	20140523
				ECA NO	DATE
DESIGNED	yuanhailin/00265042	Boston_Ultra2			
REVIEWED	yangjiangtao/00141174				
		VER	PART_NUMBER	SHEET 59 OF 60	
		A	03022MYN	HUAWEI TECH CO.,LTD.	

59. Reserved

A

A

B

B

C

C

D

D

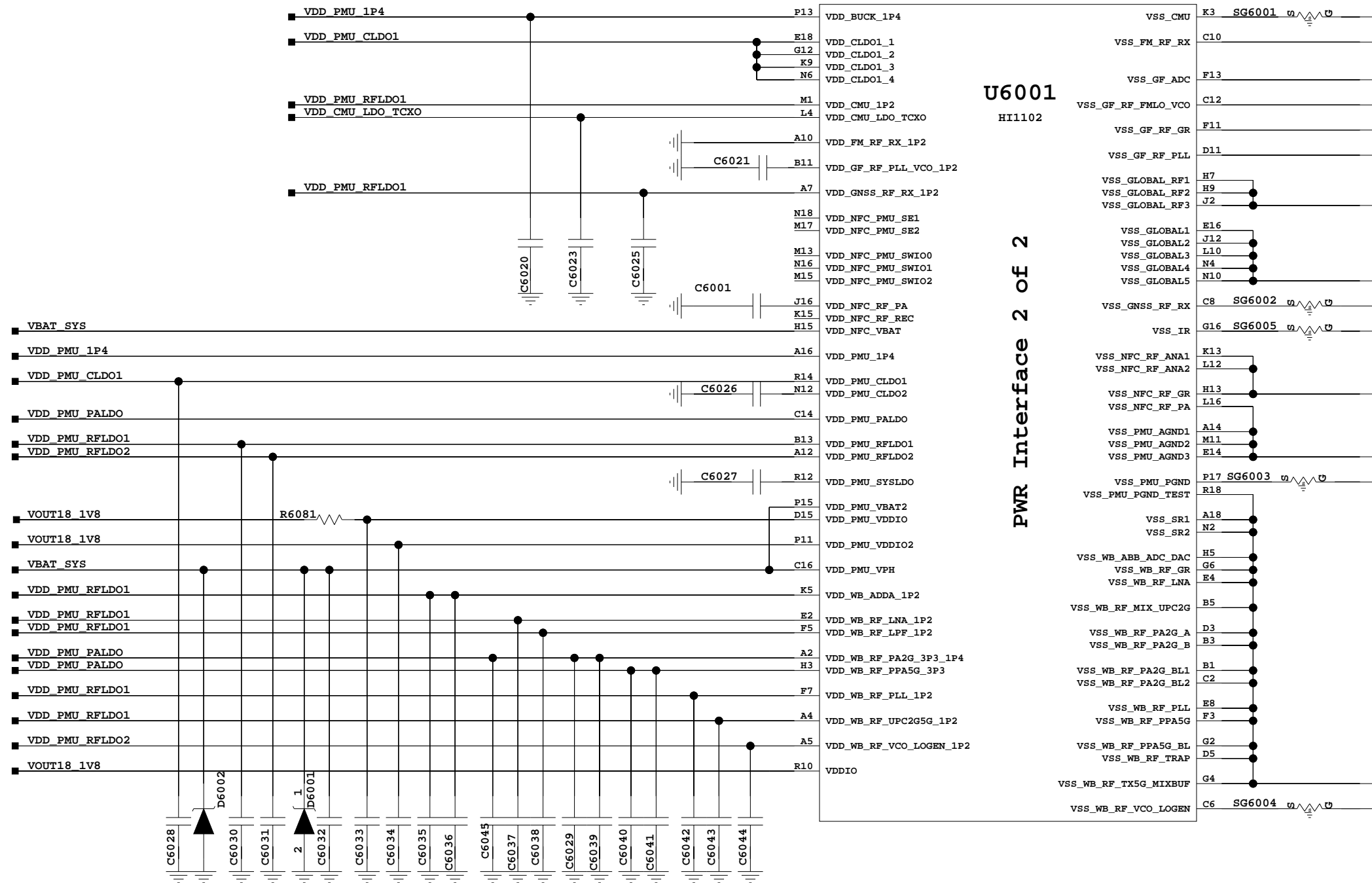
The type and specification of the components refer to the BOM

				NA	20140523
				ECA NO	DATE
DESIGNED	yuanhailin/00265042	Boston_Ultra2			
REVIEWED	yangjiangtao/00141174				
		VER	PART_NUMBER	SHEET 59 OF 60	
		A	03022MYN	HUAWEI TECH CO.,LTD.	

60 NC_POWER



该文档是极速PDF编辑器生成，
如果想去掉该提示，请访问并下载：
<http://www.jisupdfeditor.com/>



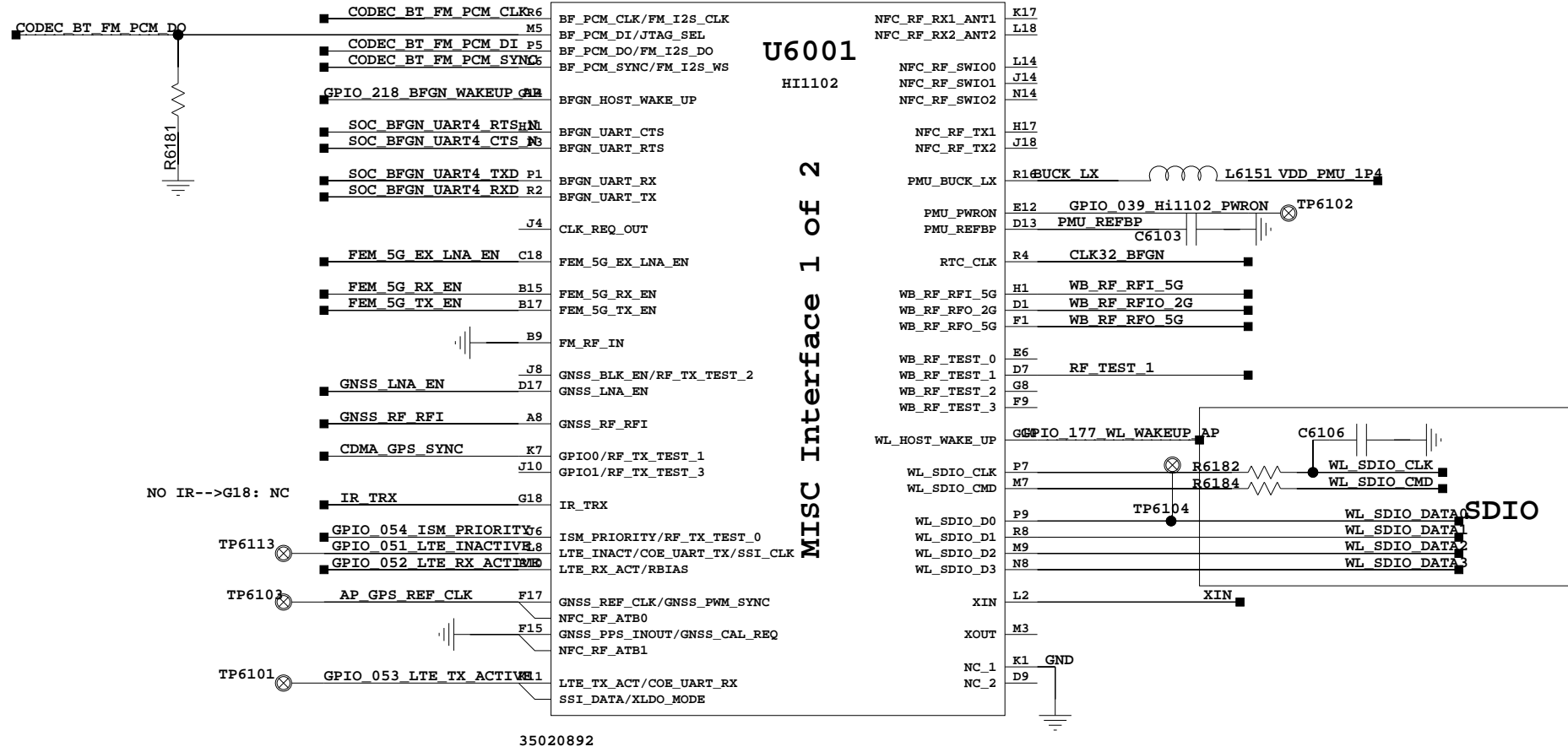
The type and specification of the components refer to the BOM

				HL1BLNM	2015-11-10
				ECA NO	DATE
DESIGNED	比亚迪	HL1DUKM		比亚迪	
REVIEWED	BYD	VER	PART_NUMBER	SHEET 52_HI1102_POWER	
		B	03024CPX	68	
				HUAWAI TECH CO.,LTD.	

61 NC_BB

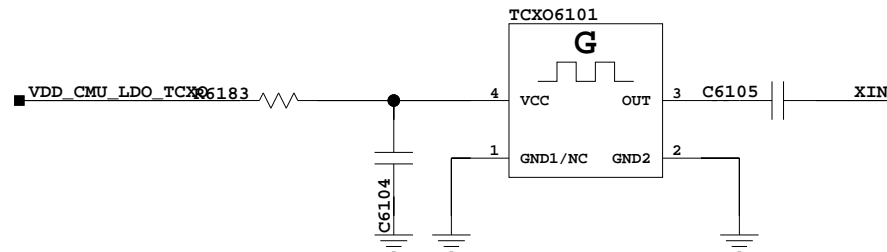


该文档是极速PDF编辑器生成，
如果想去掉该提示，请访问并下载：
<http://www.jsupdfeditor.com/>



35020892

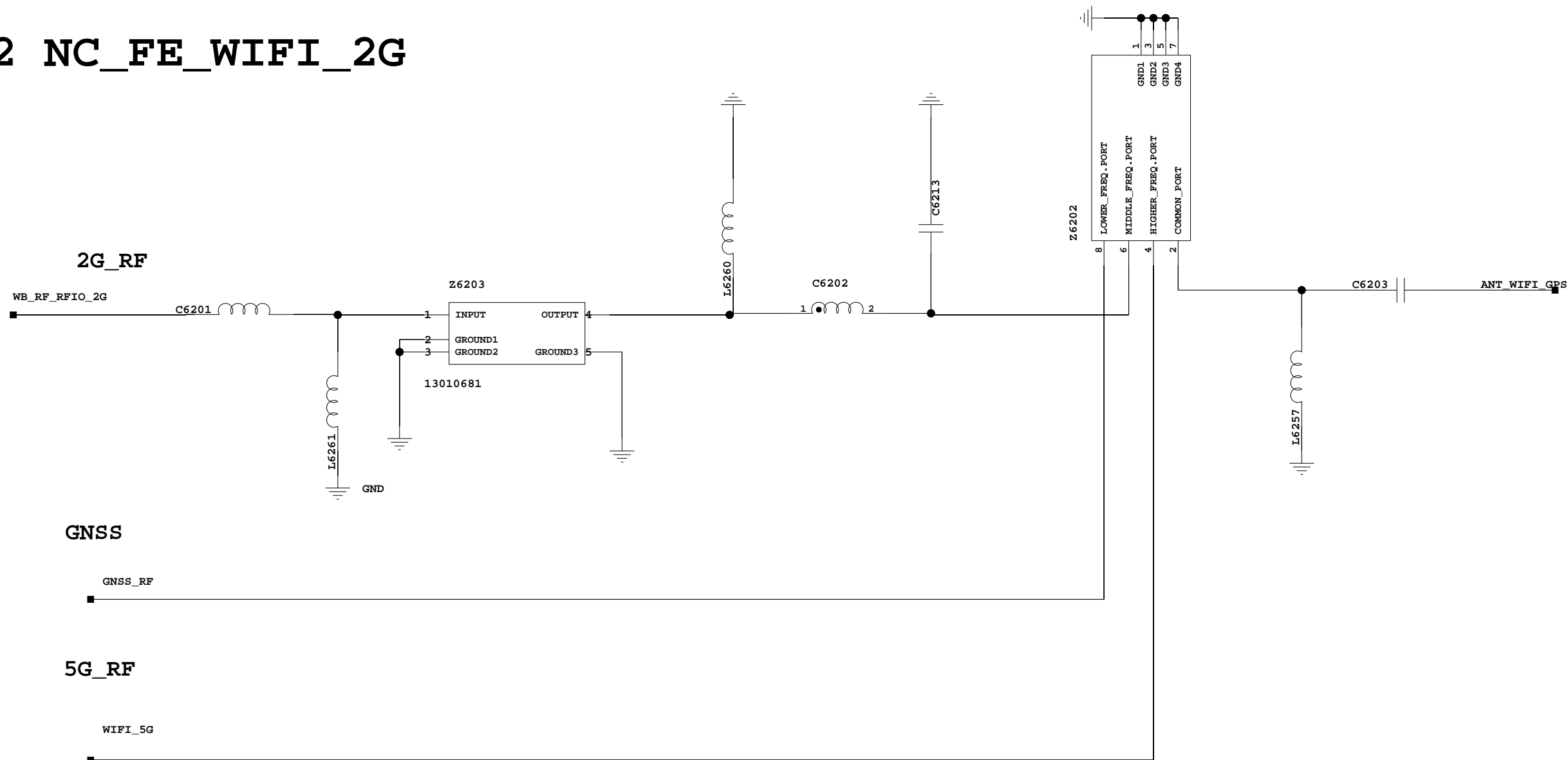
TCXO 38.4MHz



The type and specification of the components refer to the BOM

				HL1BLNM	2015-11-10
				ECA NO	DATE
DESIGNED	比亚迪			HL1DUKM	比亚迪
REVIEWED	BYD				
		VER	PART_NUMBER	SHEET	53_HDF1026BB
		B	03024CPX	HUAWAI TECH CO.,LTD.	

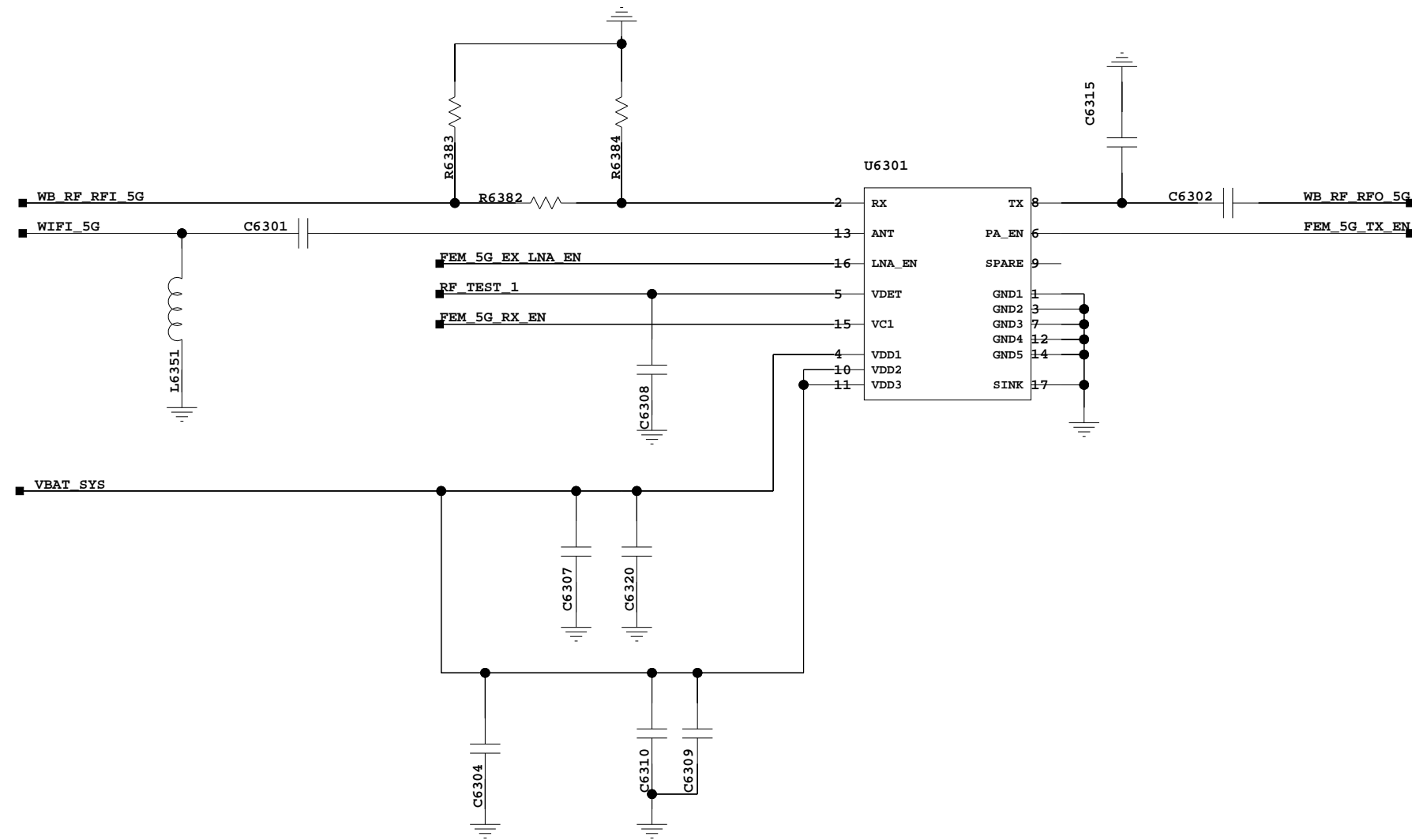
62 NC_FE_WIFI_2G



The type and specification of the components refer to the BOM

				HL1BLNM	2015-11-10
				ECA NO	DATE
DESIGNED	HEQUANTAO 00278224	HL1DUKM		03023NDR_SCHZH	
REVIEWED	LIZHAO 00213340				
		VER	PART_NUMBER	SHEET	54_HDF1025RF_FrontEnd
		A	03023NDR	HUAWAI TECH CO.,LTD.	

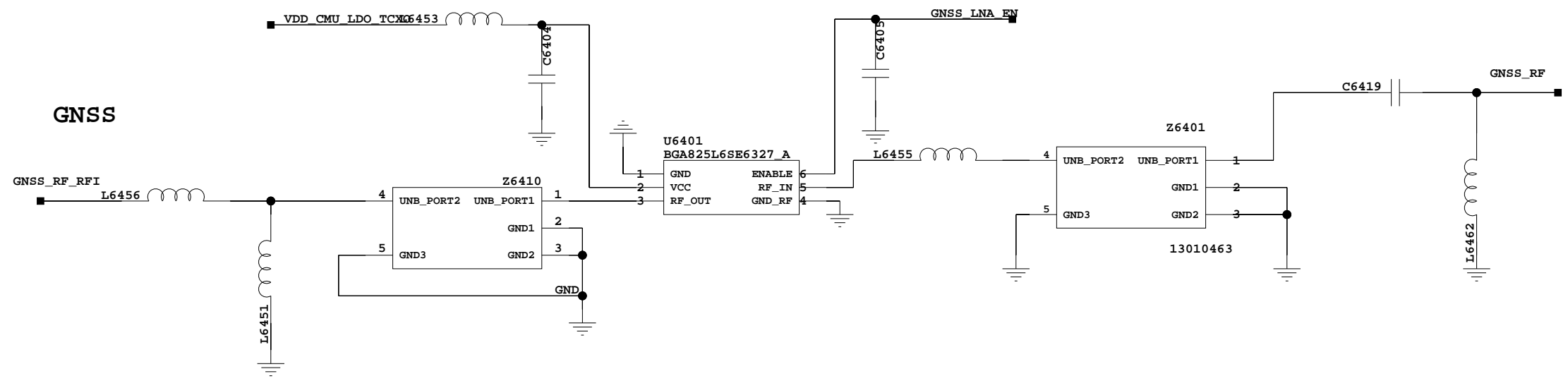
63 NC_FE_WIFI_5G



The type and specification of the components refer to the BOM

				HL1BLNM	2015-11-10
				ECA NO	DATE
DESIGNED	HEQUANTAO 00278224	HL1DUKM		03023NDR_SCHZH	
REVIEWED	LIZHAO 00213340				
		VER	PART_NUMBER	SHEET	55 Hi 02_35 FrontEnd_5G
		A	03023NDR	HUAWEI TECH CO.,LTD.	

64 NC_GPS



The type and specification of the components refer to the BOM

				HL1BLNM	2015-11-10
				ECA NO	DATE
DESIGNED	HEQUANTAO 00278224	HL1DUKM		03023NDR_SCHZH	
REVIEWED	LIZHAO 00213340				
		VER	PART_NUMBER	SHEET	54_HDF1025RF_FrontEnd
		A	03023NDR	HUAWEI TECH CO.,LTD.	

65 RES



该文档是极速PDF编辑器生成，
如果想去掉该提示，请访问并下载：
<http://www.jisupdfeditor.com/>

A

A

B

B

C

C

D

D

The type and specification of the components refer to the BOM

				NA	2017.12.12
				ECA NO	DATE
DESIGNED	比亚迪				
			荣耀V10		比亚迪
REVIEWED	BYD				
		VER	PART_NUMBER	SHEET	65 Reserved
		B	03024CPX		HUAWEI TECH CO.,LTD.

66 RES



该文档是极速PDF编辑器生成，
如果想去掉该提示，请访问并下载：
<http://www.jisupdfeditor.com/>

A

A

B

B

C

C

D

D

The type and specification of the components refer to the BOM

				NA	2017.12.12
				ECA NO	DATE
DESIGNED	比亚迪				
			荣耀V10		比亚迪
REVIEWED	BYD				
		VER	PART_NUMBER	SHEET	66 Reserved
		B	03024CPX		HUAWEI TECH CO.,LTD.

67 RES



该文档是极速PDF编辑器生成，
如果想去掉该提示，请访问并下载：
<http://www.jisupdfeditor.com/>

A

A

B

B

C

C

D

D

The type and specification of the components refer to the BOM

				NA	2017.12.12
				ECA NO	DATE
DESIGNED	比亚迪				
			荣耀V10		比亚迪
REVIEWED	BYD				
		VER	PART_NUMBER	SHEET	67 reserved
		B	03024CPX		HUAWEI TECH CO.,LTD.

67 RES



该文档是极速PDF编辑器生成，
如果想去掉该提示，请访问并下载：
<http://www.jisupdfeditor.com/>

A

A

B

B

C

C

D

D

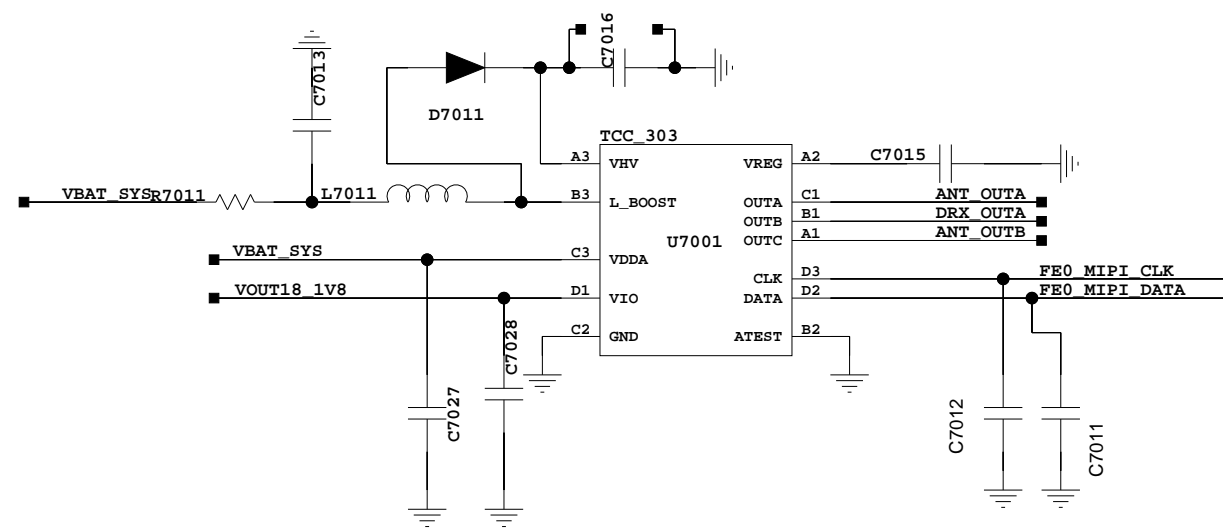
The type and specification of the components refer to the BOM

				NA	2017.12.12
				ECA NO	DATE
DESIGNED	比亚迪				
		荣耀V10			比亚迪
REVIEWED	BYD				
		VER	PART_NUMBER	SHEET	69 reserved
		B	03024CPX		HUAWEI TECH CO.,LTD.



该文档是极速PDF编辑器生成, 如果想去掉该提示,请访问并下载: <http://www.jisupdfeditor.com/>

70.ANT_Tuner_Controller



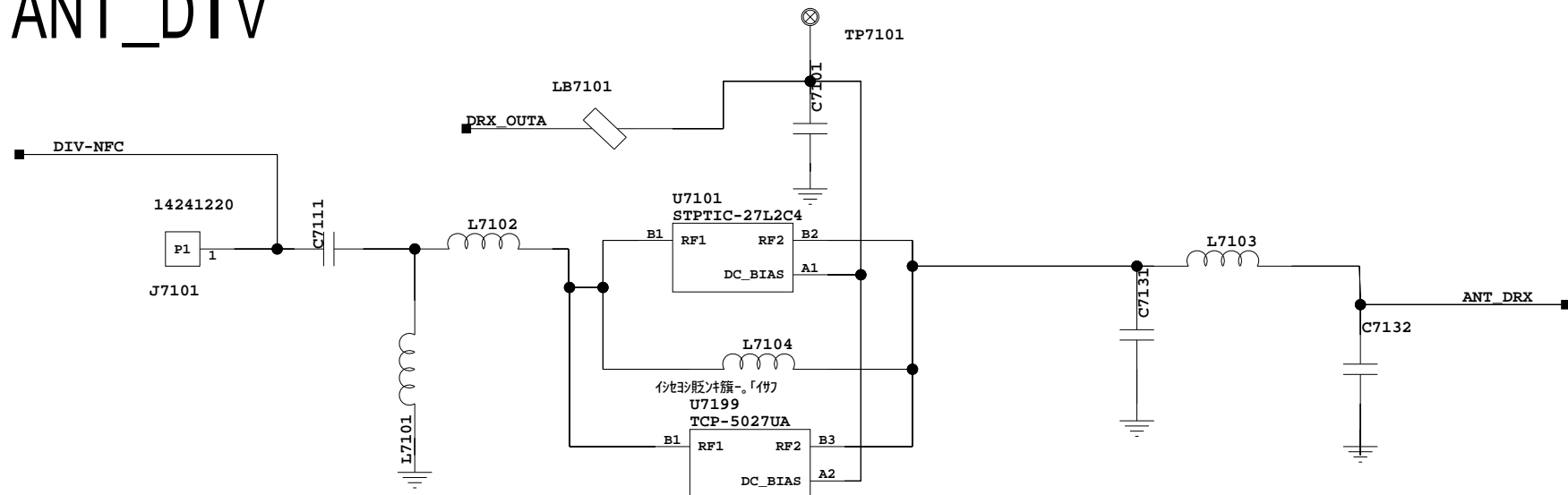
The type and specification of the components refer to the BOM

				NA	2017.12.12
				ECA NO	DATE
DESIGNED	比亚迪	荣耀V10		比亚迪	
REVIEWED	BYD	VER	PART_NUMBER	SHEET 70 ANT_Tuner_Controller	
		B	03024CPX	HUAWEI TECH CO.,LTD.	

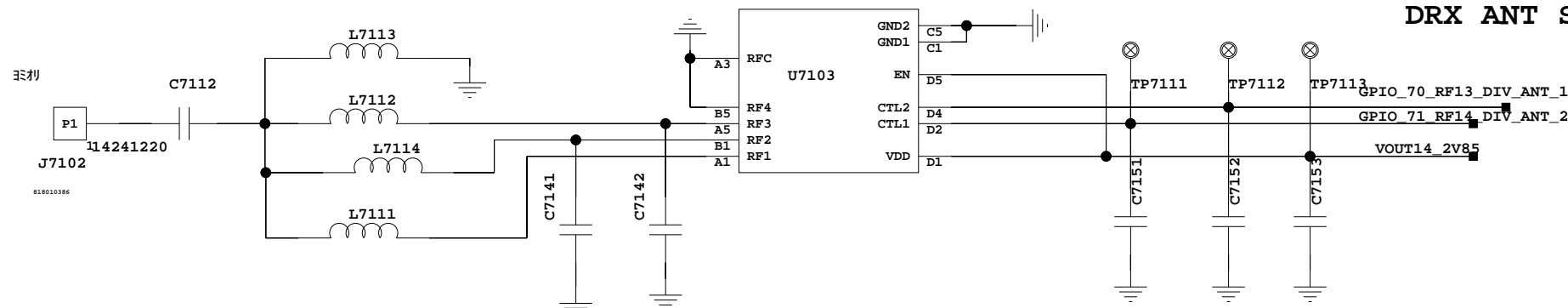
71.ANT_DIV



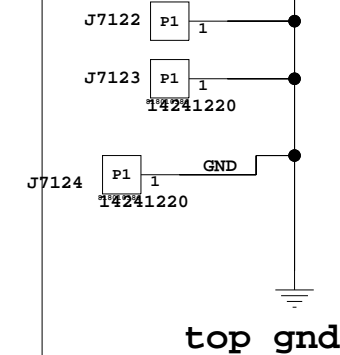
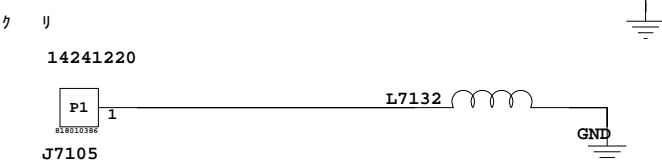
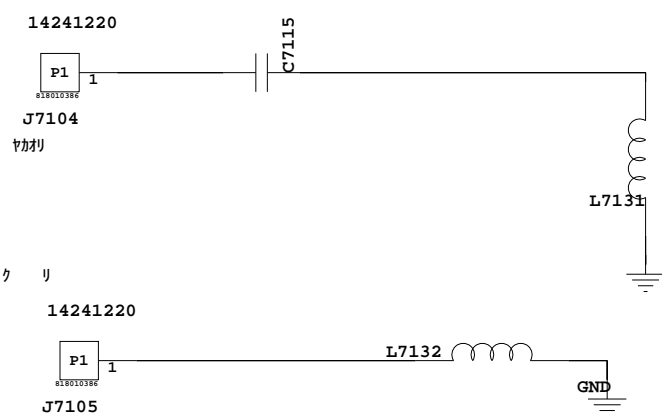
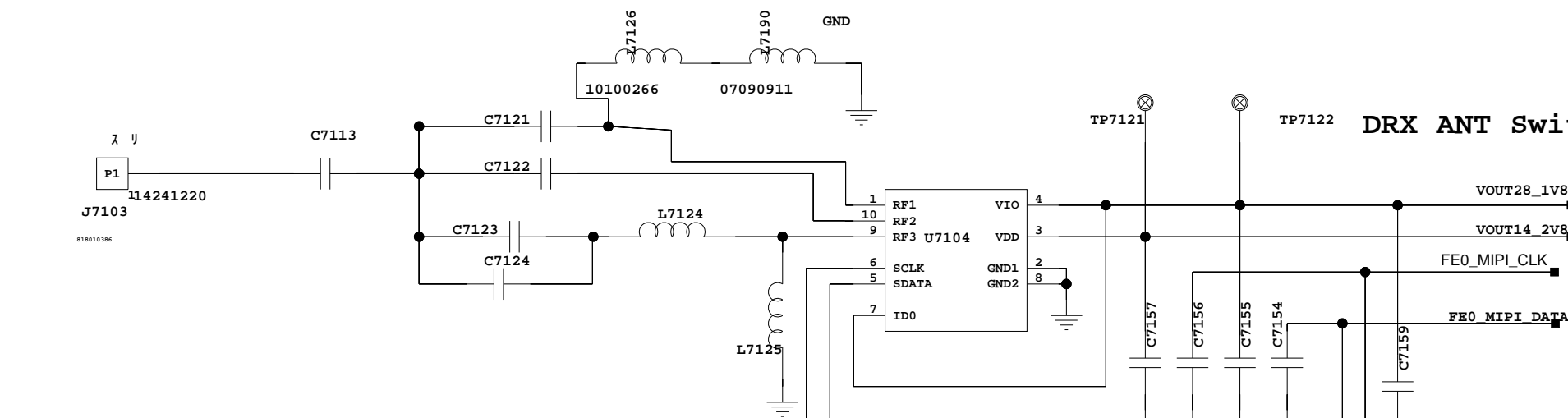
该文档是极速PDF编辑器生成，
如果想去掉该提示，请访问并下载：
<http://www.wondersharepdfeditor.com/>



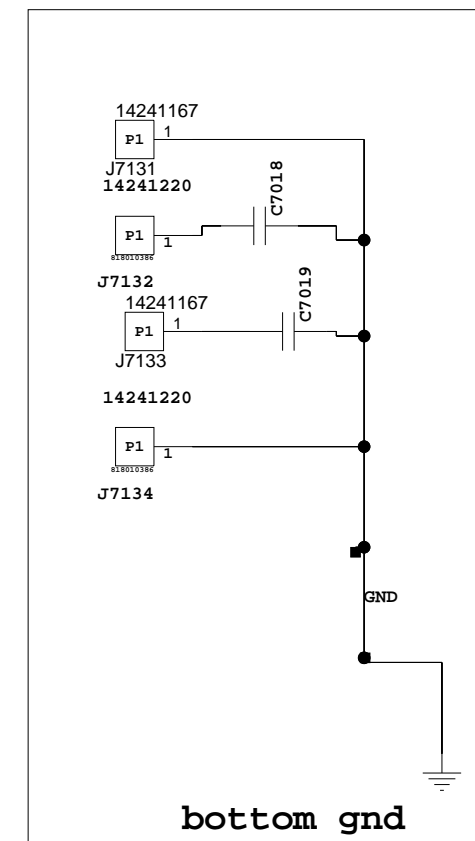
DRX ANT Switch1



DRX ANT Switch2



top gnd



bottom gnd

The type and specification of the components refer to the BOM

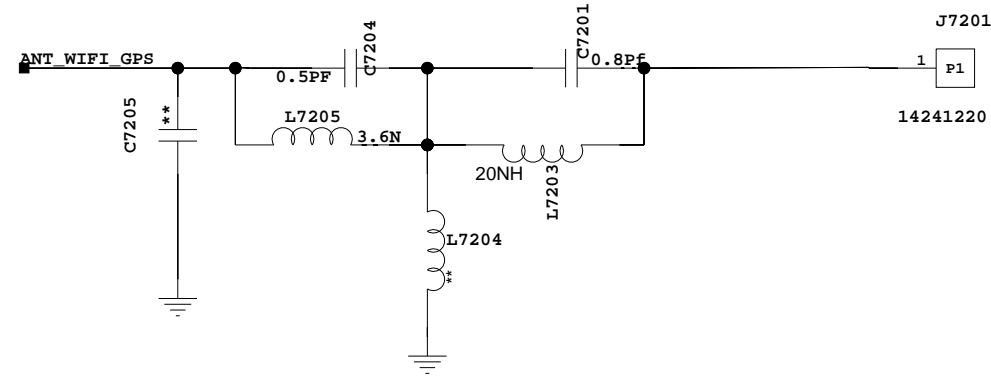
DESIGNED	比亚迪	VER	PART_NUMBER	NA	2017.12.12
REVIEWED	BYD	B	03024CPX	ECA NO	DATE
			荣耀V10		比亚迪
			SHEET 71 ANT_DIV0		
			HUAWEI TECH CO.,LTD.		

72 ANT_GPS_WIFI



该文档是极速PDF编辑器生成，
如果想去掉该提示，请访问并下载：
<http://www.jisupdfeditor.com/>

2.4G/5GWiFi&GPSAnt



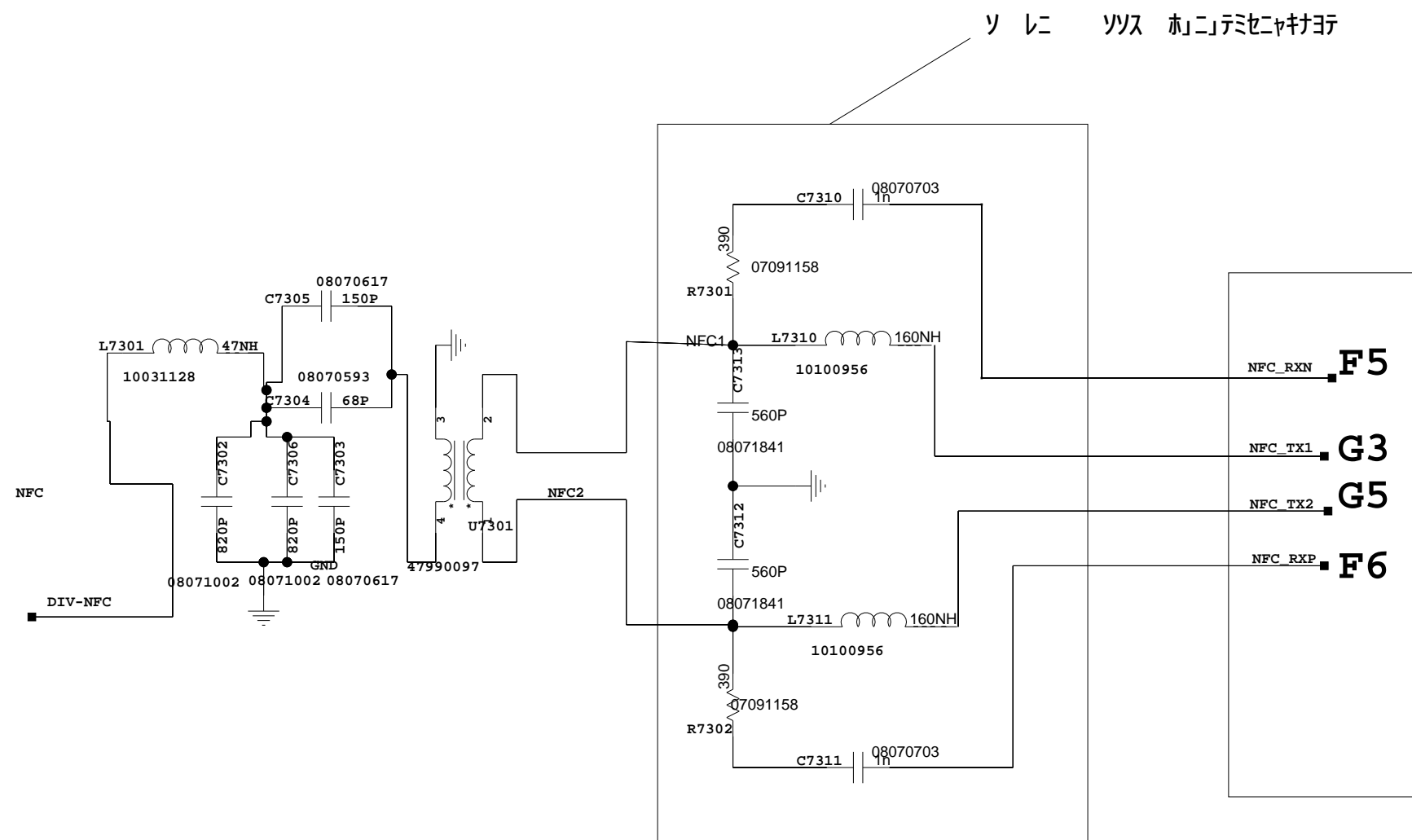
The type and specification of the components refer to the BOM

				NA	2017.12.12
				ECA NO	DATE
DESIGNED	比亚迪	荣耀V10		比亚迪	
REVIEWED	BYD				
		VER	PART_NUMBER	SHEET 72 ANT_GPS_WIFI	
		B	03024CPX	HUAWAI TECH CO.,LTD	



该文档是极速PDF编辑器生成，
如果想去掉该提示，请访问并下载：
<http://www.jisupdfeditor.com/>

73. ANT_NFC



ソレニソノホニテミセニヤキヨテ

ミモイシヨリミツネキネマチャスモNFCニセニヤハ

The type and specification of the components refer to the BOM

				NA	2017.12.12
				ECA NO	DATE
DESIGNED	比亚迪	荣耀V10		比亚迪	
REVIEWED	BYD	VER	PART_NUMBER	SHEET 73 ANT_NF60	
		B	03024CPX	HUAWAI TECH CO.,LTD.	

74. ANT_CELL_MIMO



该文档是极速PDF编辑器生成，
如果想去掉该提示，请访问并下载：
<http://www.jisupdfeditor.com/>

A

B

C

D

The type and specification of the components refer to the BOM

				NA	2017.12.12
				ECA NO	DATE
DESIGNED	比亚迪				
			荣耀V10		比亚迪
REVIEWED	BYD				
		VER	PART_NUMBER	SHEET	74 ANT_CELL_MIMO
		B	03024CPX		HUAWEI TECH CO.,LTD.

75. Reserved



该文档是极速PDF编辑器生成，
如果想去掉该提示，请访问并下载：
<http://www.jisupdfeditor.com/>

A

A

B

B

C

C

D

D

The type and specification of the components refer to the BOM

				NA	2017.12.12
				ECA NO	DATE
DESIGNED	比亚迪	荣耀V10		比亚迪	
REVIEWED	BYD				
		VER	PART_NUMBER	SHEET 75 Reserved	
		B	03024CPX	HUAWEI TECH CO.,LTD.	

76. Reserved



该文档是极速PDF编辑器生成，
如果想去掉该提示，请访问并下载：
<http://www.jisupdfeditor.com/>

A

A

B

B

C

C

D

D

The type and specification of the components refer to the BOM

				NA	2017.12.12
				ECA NO	DATE
DESIGNED	比亚迪	荣耀V10		比亚迪	
REVIEWED	BYD				
		VER	PART_NUMBER	SHEET 76 Reserved	
		B	03024CPX	HUAWEI TECH CO.,LTD.	

77. Reserved



该文档是极速PDF编辑器生成，
如果想去掉该提示，请访问并下载：
<http://www.jisupdfeditor.com/>

A

A

B

B

C

C

D

D

The type and specification of the components refer to the BOM

				NA	2017.12.12
				ECA NO	DATE
DESIGNED	比亚迪	荣耀V10		比亚迪	
REVIEWED	BYD				
		VER	PART_NUMBER	SHEET 77 Reserved	
		B	03024CPX	HUAWEI TECH CO.,LTD.	

78. Reserved



该文档是极速PDF编辑器生成，
如果想去掉该提示，请访问并下载：
<http://www.jisupdfeditor.com/>

A

A

B

B

C

C

D

D

The type and specification of the components refer to the BOM

				NA	2017.12.12
				ECA NO	DATE
DESIGNED	比亚迪	荣耀V10		比亚迪	
REVIEWED	BYD				
		VER	PART_NUMBER	SHEET 78 Reserved	
		B	03024CPX	HUAWEI TECH CO.,LTD.	

79. Reserved



该文档是极速PDF编辑器生成，
如果想去掉该提示，请访问并下载：
<http://www.jisupdfeditor.com/>

A

A

B

B

C

C

D

D

The type and specification of the components refer to the BOM

				NA	2017.12.12
				ECA NO	DATE
DESIGNED	比亚迪				
			荣耀V10		比亚迪
REVIEWED	BYD				
		VER	PART_NUMBER	SHEET	79 Reserved
		B	03024CPX		HUAWEI TECH CO.,LTD.