

Baseband Schematic

1. Contents
2. Block Diagramm
3. SOC PWR1
4. SOC PWR2
5. SOC PWR3
6. SOC HS Interface
7. SOC GPIO Interface
8. SOC RF Interface
9. SOC GND & NC
10. PMU LDO
11. PMU BUCK
12. PMU MISC & BUCKBOOST
13. HI6422-2
14. UFS and LPDDR4
15. Battery & Fuel gauge
16. Charge Management
17. LCD Interface
18. Direct Charge LoadSwitch
19. Flash LED
20. Camera Interface
21. TYPEC INTERFACE
22. Codec HI6403
23. MIC/VIB
24. Headphone
25. Audio
26. X-Sensor1
27. X-Sensor2
28. SIM Card
29. FPC Interface
30. Test Point/Shielding

MODEM Schematic



该文档是极速PDF编辑器生成,
如果想去掉该提示,请访问并下载:
<http://www.jisupdfeditor.com/>

31. RF Interface
32. APT Power
33. RF Transceiver_0
34. RF FRONT END HB
35. RF FRONT END B42
36. RF FRONT END MB
37. RF Front End LB
38. RF Front End Switch /Main ANT
39. RF Front End Diversity
40. RF Front End Diversity
41. Reserved for CDMA Modem
42. Reserved for CDMA Modem
43. Reserved for CDMA Modem
44. Reserved for CDMA Modem
45. Reserved for CDMA Modem
46. Reserved for CDMA Modem
47. Reserved for CDMA Modem
48. Reserved for CDMA Modem
49. Reserved
50. Reserved
51. BCM43455 BB
52. BCM43455 POWER
53. Reserved
54. WALN RF0
55. WLAN RF1
56. GPS
57. NFC
58. RF Transceiver2
59. Reserved
60. ANT Tuner

The type and specification of the components refer to the BOM

| | | | | | |
|----------|--------|----------|-------------|----------------------|------------|
| | | | | NA | 2017-12-18 |
| | | | | ECA NO | DATE |
| DESIGNED | HUAWEI | HL1CLTMC | | HUAWEI | |
| REVIEWED | HUAWEI | VER | PART_NUMBER | SHEET 1 OF 60 | |
| | | A | 03025BSN | HUAWEI TECH CO.,LTD. | |

2. Block Diagramm



该文档是极速PDF编辑器生成，
如果想去掉该提示，请访问并下载：
<http://www.jisupdfeditor.com/>

A

A

B

B

C

C

D

D

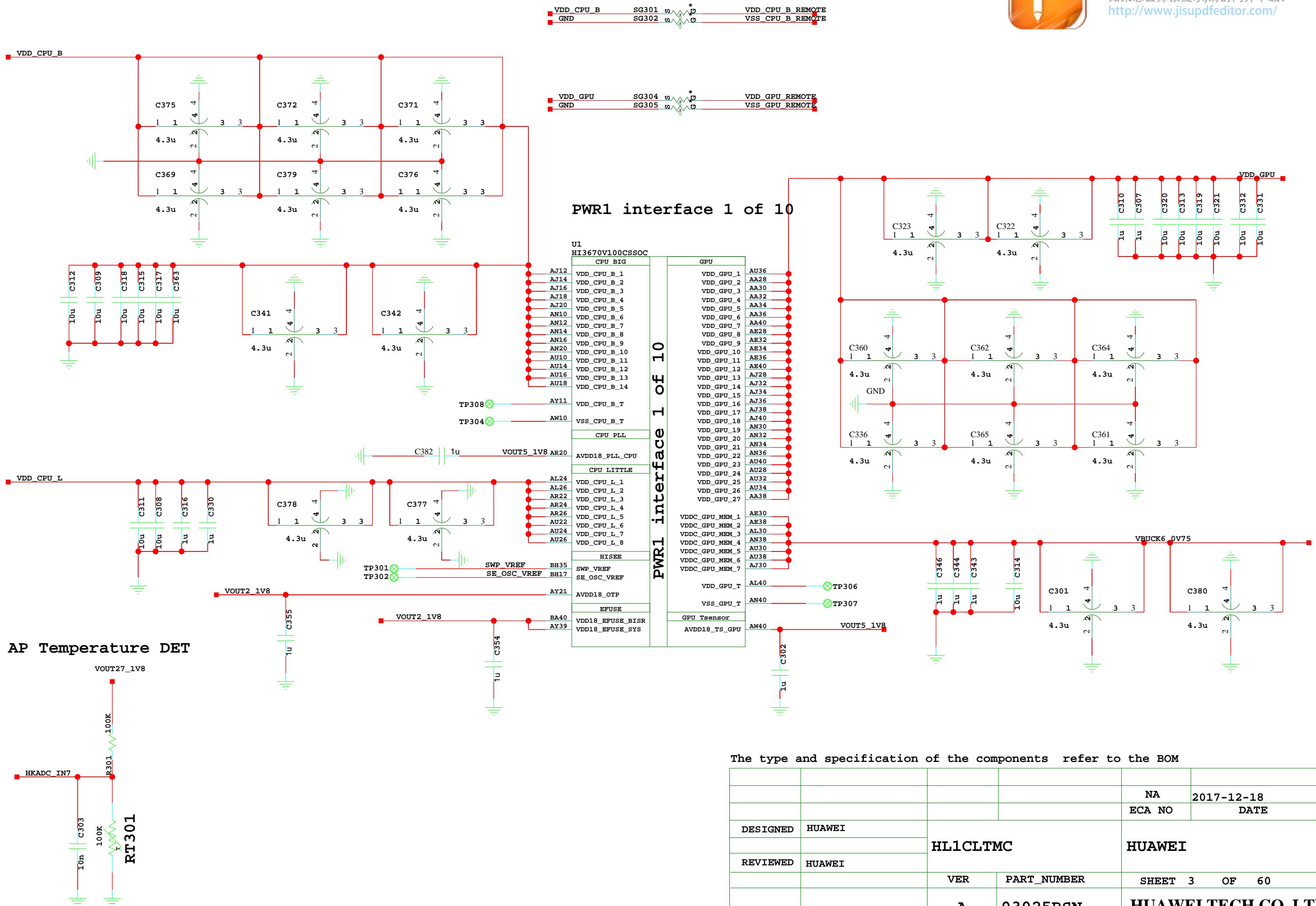
The type and specification of the components refer to the BOM

| | | | | | |
|----------|--------|----------|-------------|----------------------|------------|
| | | | | NA | 2017-12-18 |
| | | | | ECA NO | DATE |
| DESIGNED | HUAWEI | HL1CLTMC | | HUAWEI | |
| REVIEWED | HUAWEI | | | | |
| | | VER | PART_NUMBER | SHEET 2 OF 60 | |
| | | A | 03025BSN | HUAWEI TECH CO.,LTD. | |

3.SOC PWR1



该文档是极速PDF编辑器生成，
如果想去掉该提示，请访问并下载：
<http://www.jsupdfeditor.com/>



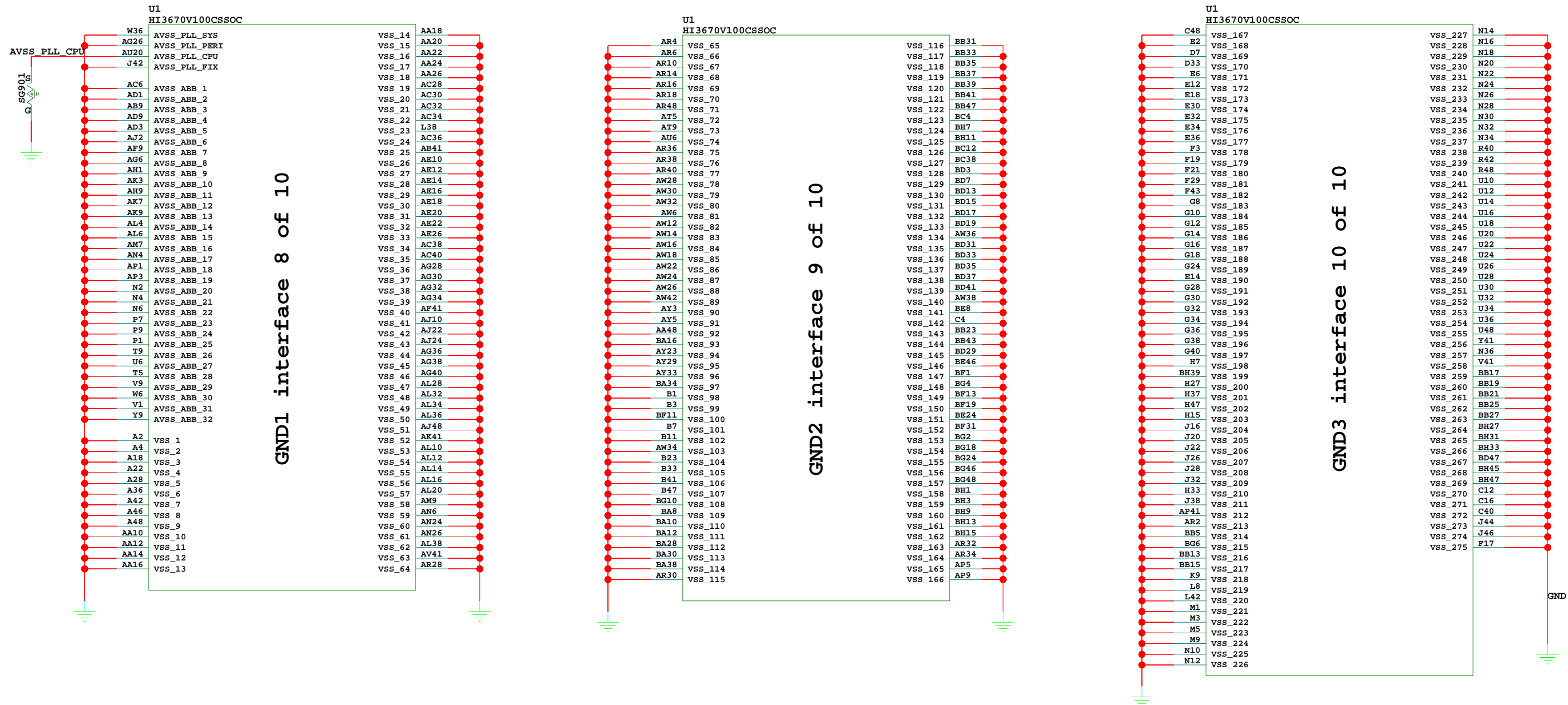
The type and specification of the components refer to the BOM

| | | | | | |
|----------|--------|----------|-------------|----------------------|------------|
| DESIGNED | HUAWEI | HL1CLTMC | | NA | 2017-12-18 |
| REVIEWED | HUAWEI | HL1CLTMC | | ECA NO | DATE |
| | | VER | PART_NUMBER | SHEET 3 OF 60 | |
| | | A | 03025BSN | HUAWEI TECH CO.,LTD. | |

9.SOC GND



该文档是极速PDF编辑器生成，
如果想去掉该提示，请访问并下载：
<http://www.jisupdfeditor.com/>

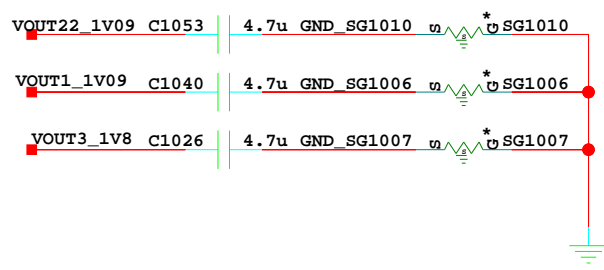
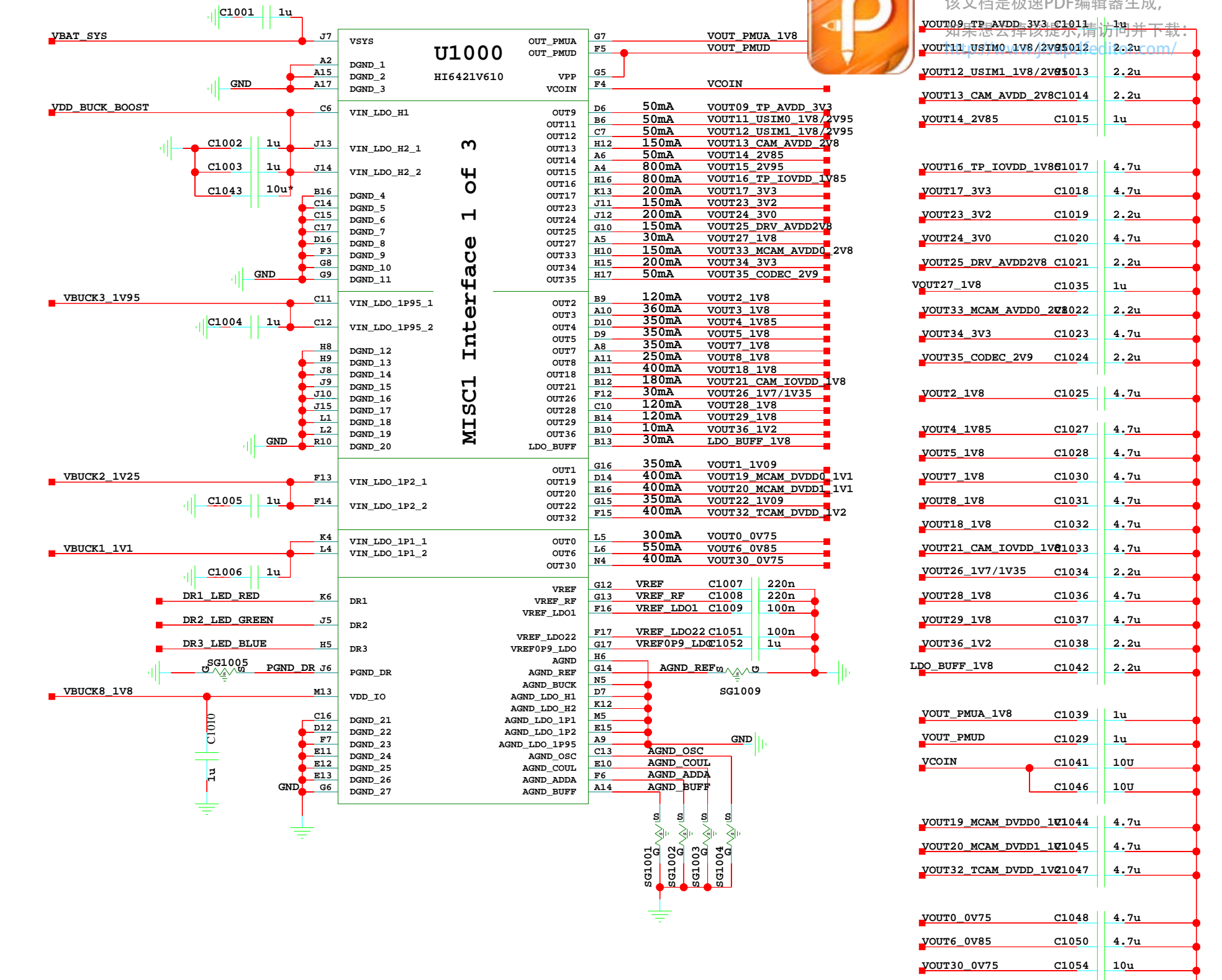


The type and specification of the components refer to the BOM

| | | | | | |
|----------|--------|----------|-------------|----------------------|------------|
| | | | | NA | 2017-12-18 |
| | | | | ECA NO | DATE |
| DESIGNED | HUAWEI | HL1CLTMC | | HUAWEI | |
| REVIEWED | HUAWEI | VER | PART_NUMBER | SHEET 9 OF 60 | |
| | | A | 03025BSN | HUAWEI TECH CO.,LTD. | |

10. Hi6421 LDO

| NUM | Vol | Current | Function |
|-------|----------|---------|---------------------|
| LDO0 | 0.75 | 300 | SOC:UFS,SYS,PLL_SYS |
| LDO1 | 1.09 | 350 | RFIC0 AVDD10 |
| LDO2 | 1.8 | 120 | SOC_EFUSE&HISEE |
| LDO3 | 1.8 | 360 | RFIC AVDD18,LNA_VDD |
| LDO4 | 1.85 | 350 | LCD&TP 1.8V IO |
| LDO5 | 1.8 | 350 | SOC 1.8V AVDD |
| LDO6 | 0.85 | 550 | SOC:AVDD085_ABB |
| LDO7 | 1.8 | 350 | SOC:AVDD18_ABB |
| LDO8 | 1.8 | 250 | IOVDD FOR Codec/RF |
| LDO9 | 3.3 | 50 | TP AVDD 3.3V |
| LDO11 | 1.8/2.95 | 50 | SIM0 |
| LDO12 | 1.8/2.95 | 50 | SIM1 |
| LDO13 | 2.8 | 150 | CAM_AVDD |
| LDO14 | 2.85 | 50 | RF switch VDD |
| LDO15 | 2.95 | 800 | UFS_VCC |
| LDO16 | 2.95 | 800 | TPIO_VDD |
| LDO17 | 3.3 | 200 | LCD&TP |
| LDO18 | 1.8 | 400 | PERI IOVDD |
| LDO19 | 1.2 | 400 | MCAM DVDD0 |
| LDO20 | 1.1 | 400 | MCAM DVDD1 |
| LDO21 | 1.8 | 180 | CAM IOVDD |
| LDO22 | 1.09 | 350 | RESEVERD |
| LDO23 | 3.2 | 150 | USB 2.0 PHY |
| LDO24 | 2.8 | 200 | Sensor VDD |
| LDO25 | 2.85 | 150 | MCAM DRVVDD |
| LDO26 | 1.7 | 30 | 38.4MHZ XO CORE |
| LDO27 | 1.8 | 30 | HKADC,XOADC |
| LDO28 | 1.8 | 120 | RF switch VIO |
| LDO29 | 1.8 | 120 | VPH_UFS,PLL_SYS |
| LDO30 | 0.75 | 400 | FIX 0.75 For SOC |
| LDO32 | 1.1 | 400 | SlaveCAM_DVDD |
| LDO33 | 2.8 | 150 | MCAM_AVDD0 |
| LDO34 | 3.3 | 200 | Laser/FP/PD VDD |
| LDO35 | 2.9 | 50 | CODEC_AVDD |
| LDO36 | 1.2 | 10 | UFS refclk/rst IO |



The type and specification of the components refer to the BOM

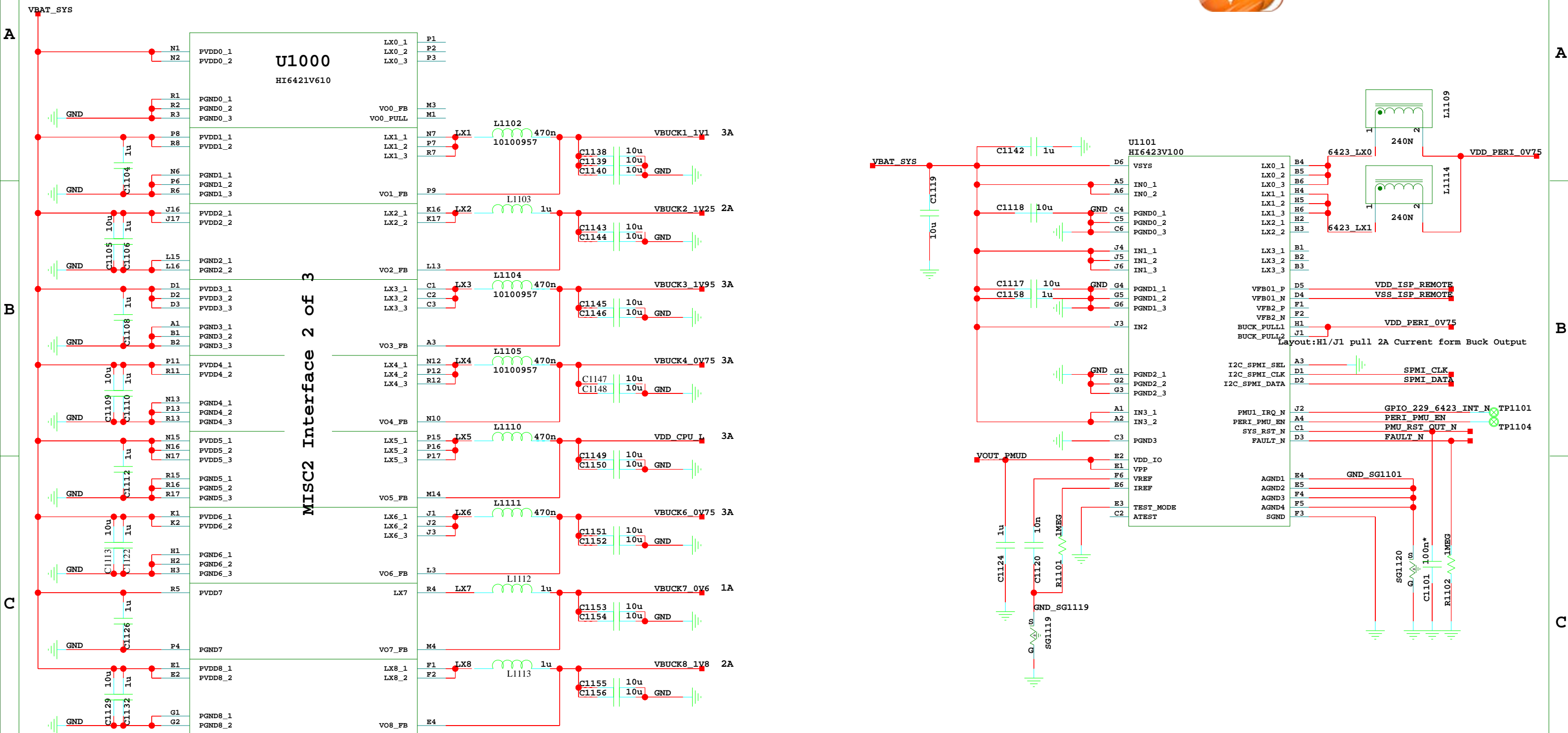
| | | | | | |
|----------|--------|----------|-------------|----------------------|------------|
| DESIGNED | HUAWEI | HL1CLTMC | | NA | 2017-12-18 |
| REVIEWED | HUAWEI | HUAWEI | | ECA NO | DATE |
| | | VER | PART_NUMBER | SHEET 10 OF 60 | |
| | | A | 03025BSN | HUAWEI TECH CO.,LTD. | |

11.Hi6421 BUCK AND Hi6423

Hi6423



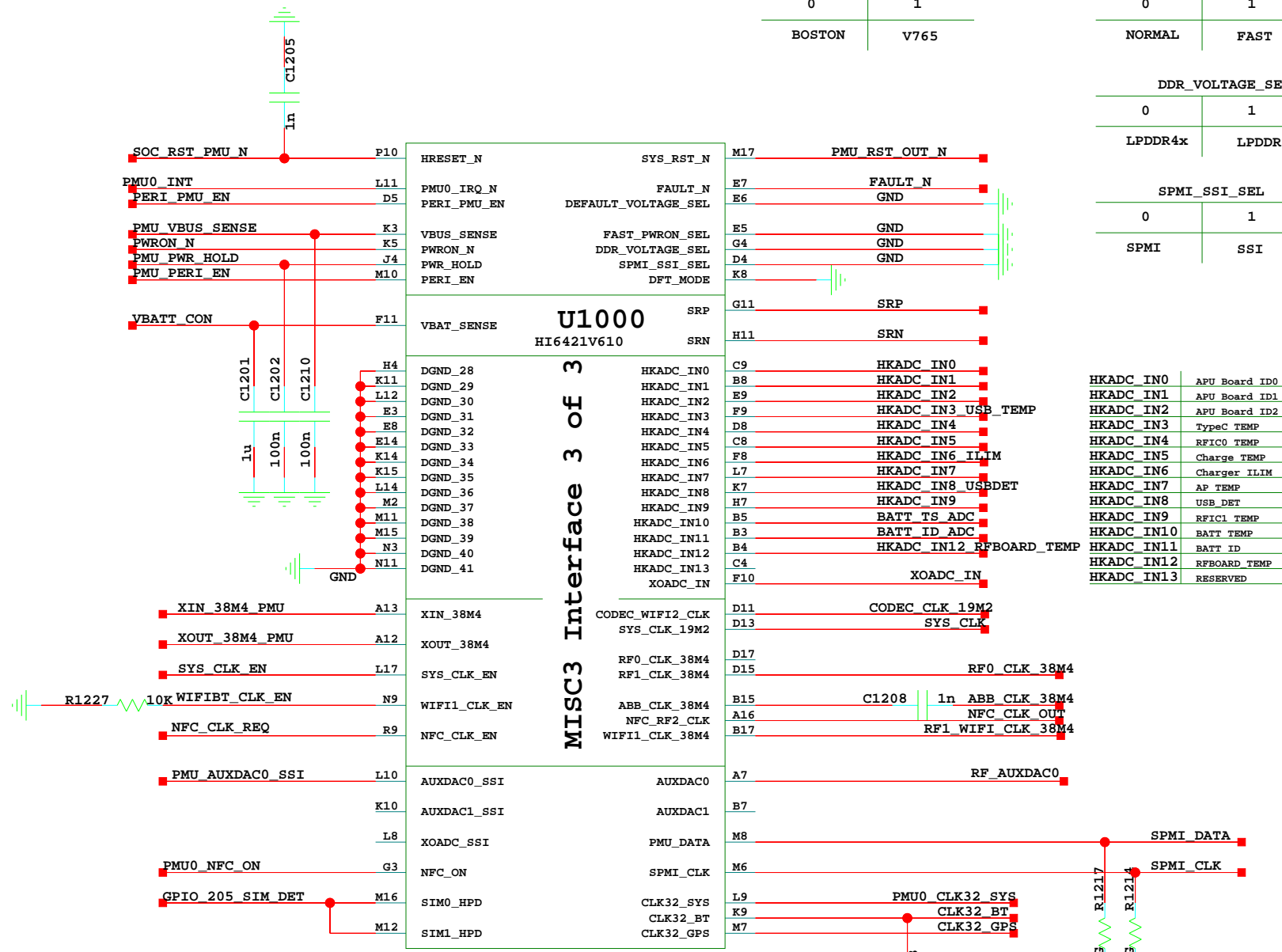
该文档是极速PDF编辑器生成，
如果想去掉该提示，请访问并下载：
<http://www.jsupdfeditor.com/>



The type and specification of the components refer to the BOM

| | | | | | |
|----------|--------|----------|-------------|----------------------|------------|
| | | | | NA | 2017-12-18 |
| | | | | ECA NO | DATE |
| DESIGNED | HUAWEI | HL1CLTMC | | HUAWEI | |
| REVIEWED | HUAWEI | VER | PART_NUMBER | SHEET 11 OF 60 | |
| | | A | 03025BSN | HUAWEI TECH CO.,LTD. | |

12.Hi6421 DIGITAL INTERFACE



| DEFAULT_VOLTAGE_SEL | |
|---------------------|------|
| 0 | 1 |
| BOSTON | V765 |

| FAST_PWRON_SEL | |
|----------------|------|
| 0 | 1 |
| NORMAL | FAST |

| DDR_VOLTAGE_SEL | |
|-----------------|--------|
| 0 | 1 |
| LPDDR4x | LPDDR3 |

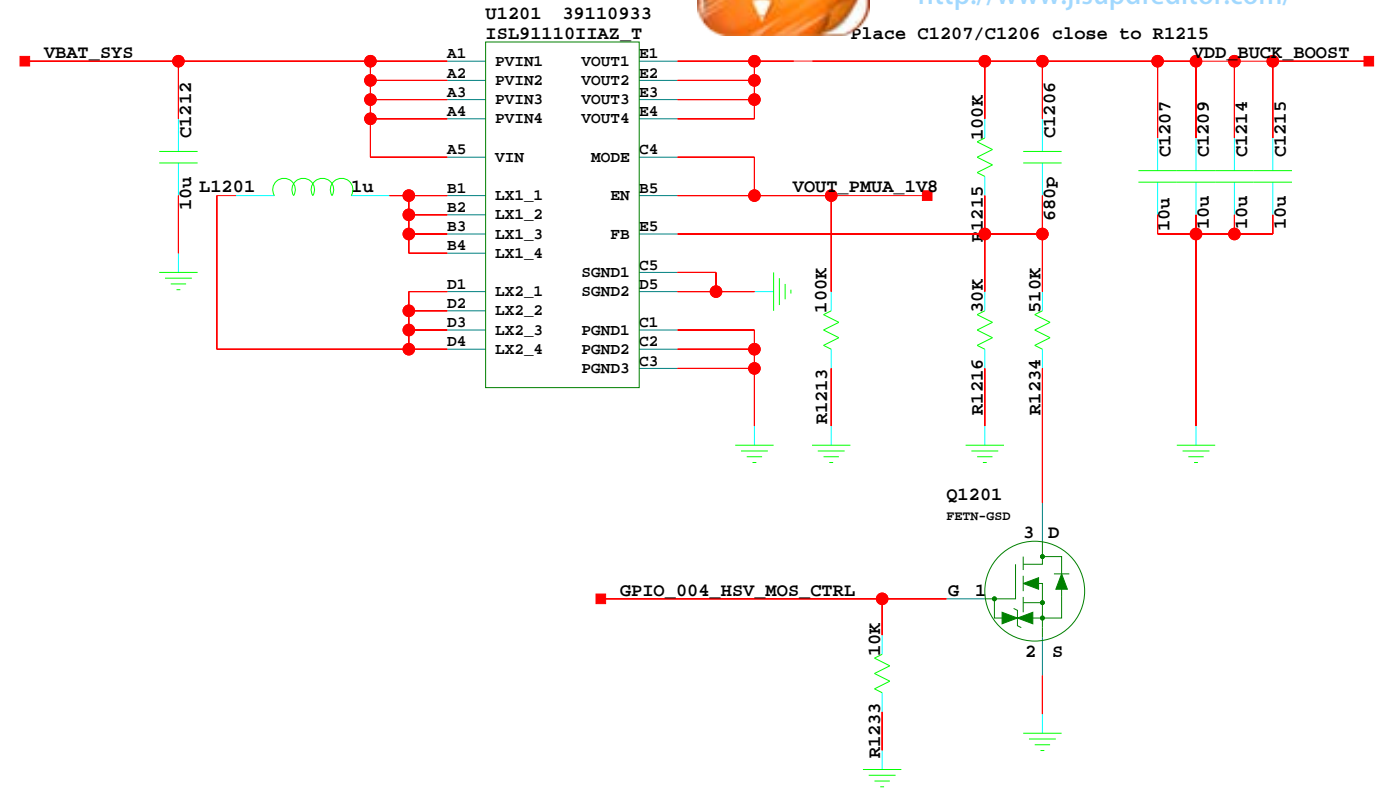
| SPMI_SSI_SEL | |
|--------------|-----|
| 0 | 1 |
| SPMI | SSI |

BUCK BOOST

$$V_{out} = 0.8 * (1 + R1/R2) =$$



该文档是极速PDF编辑器生成，
如果想去掉该提示，请访问并下载：
<http://www.jsupdfeditor.com/>



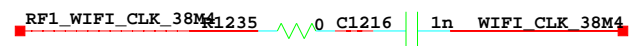
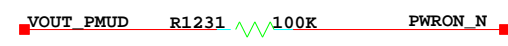
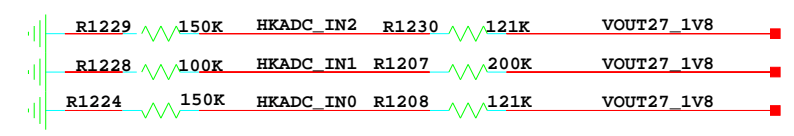
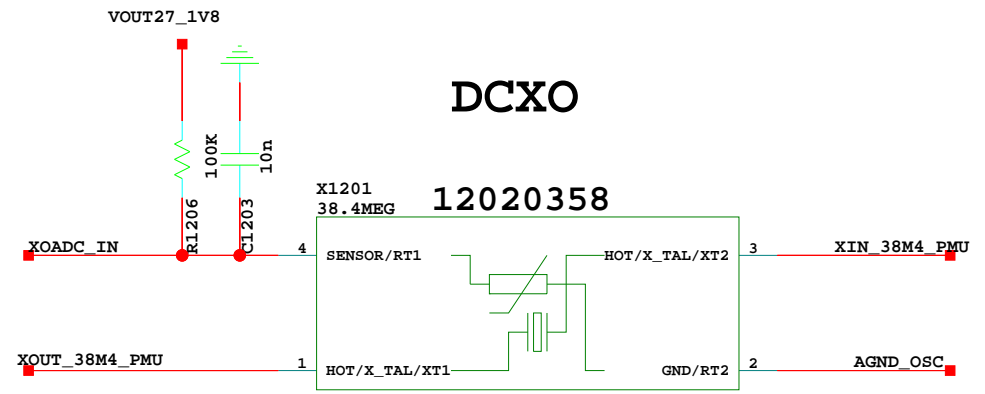
MISC3 Interface 3 of 3

| HKADC_IN0 | APU Board ID0 |
|------------|---------------|
| HKADC_IN1 | APU Board ID1 |
| HKADC_IN2 | APU Board ID2 |
| HKADC_IN3 | TypeC TEMP |
| HKADC_IN4 | RFIC0 TEMP |
| HKADC_IN5 | Charge TEMP |
| HKADC_IN6 | Charger ILIM |
| HKADC_IN7 | AP TEMP |
| HKADC_IN8 | USB DET |
| HKADC_IN9 | RFIC1 TEMP |
| HKADC_IN10 | BATT TEMP |
| HKADC_IN11 | BATT ID |
| HKADC_IN12 | RFBOARD TEMP |
| HKADC_IN13 | RESERVED |

BOARD ID Table

| Board ID | HKADC2 | HKADC1 | HKADC0 |
|----------|--------|--------|--------|
| V1 | 5 | 2 | 1 |
| V3 | | | |

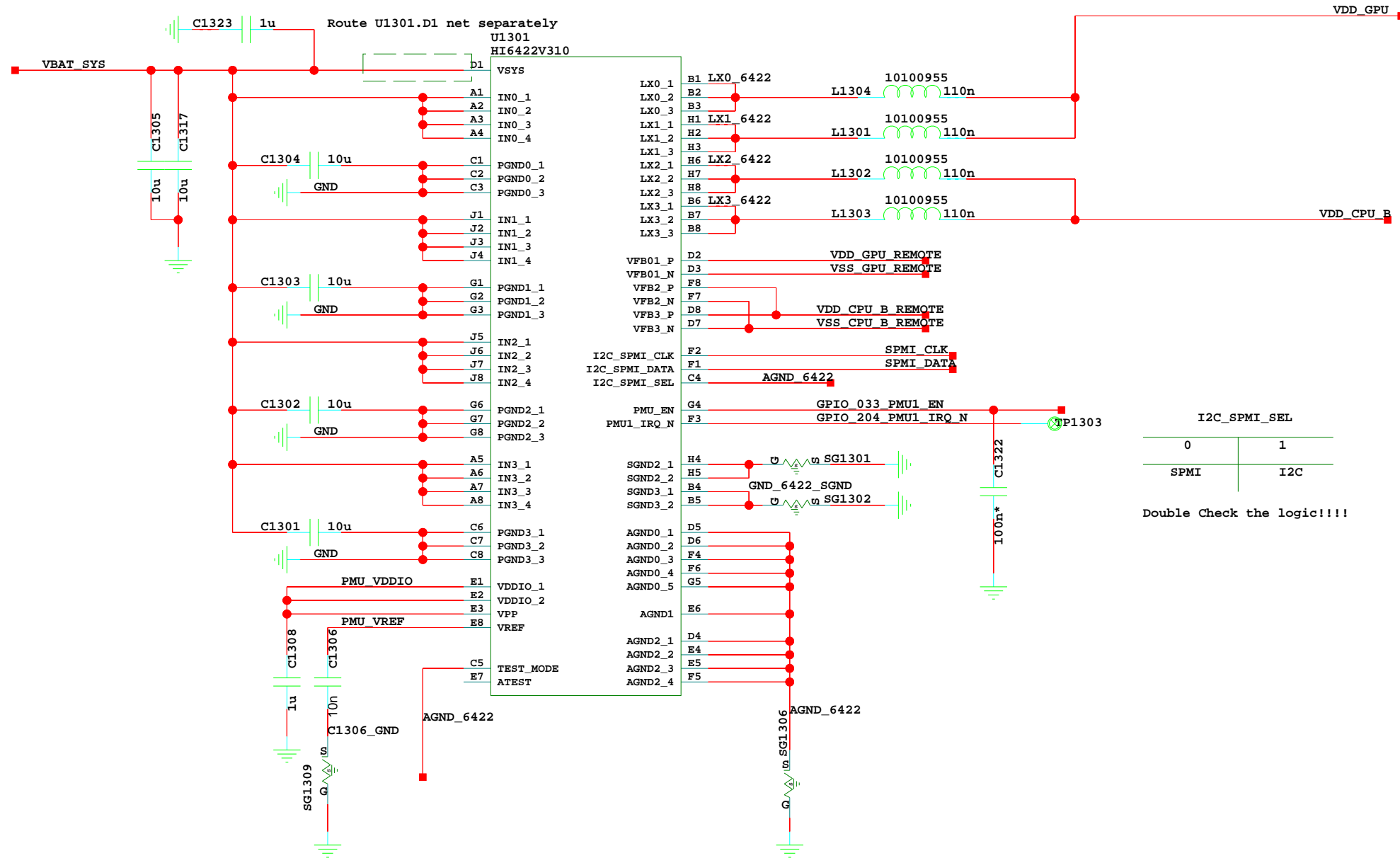
DCXO



C1216 Should Be Layed Close To Wifi

The type and specification of the components refer to the BOM

| | | | | |
|----------|--------|----------|-------------|----------------------|
| DESIGNED | HUAWEI | HL1CLTMC | NA | 2017-12-18 |
| REVIEWED | HUAWEI | | ECA NO | DATE |
| | | VER | PART_NUMBER | SHEET 12 OF 60 |
| | | A | 03025BSN | HUAWEI TECH CO.,LTD. |



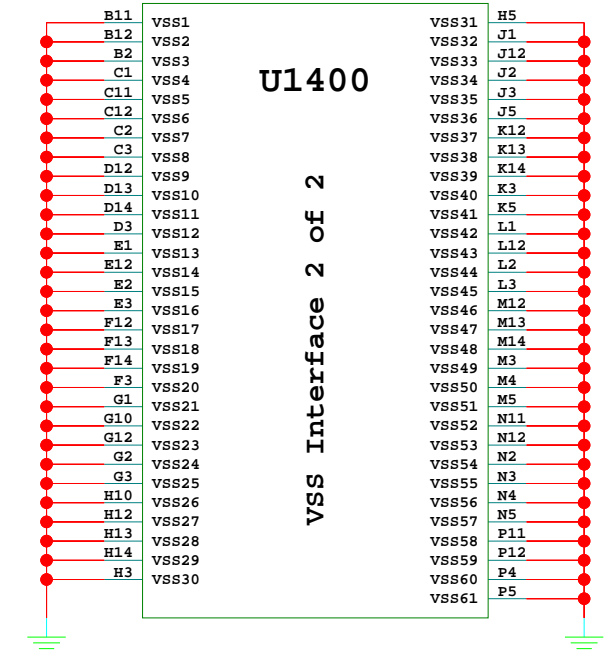
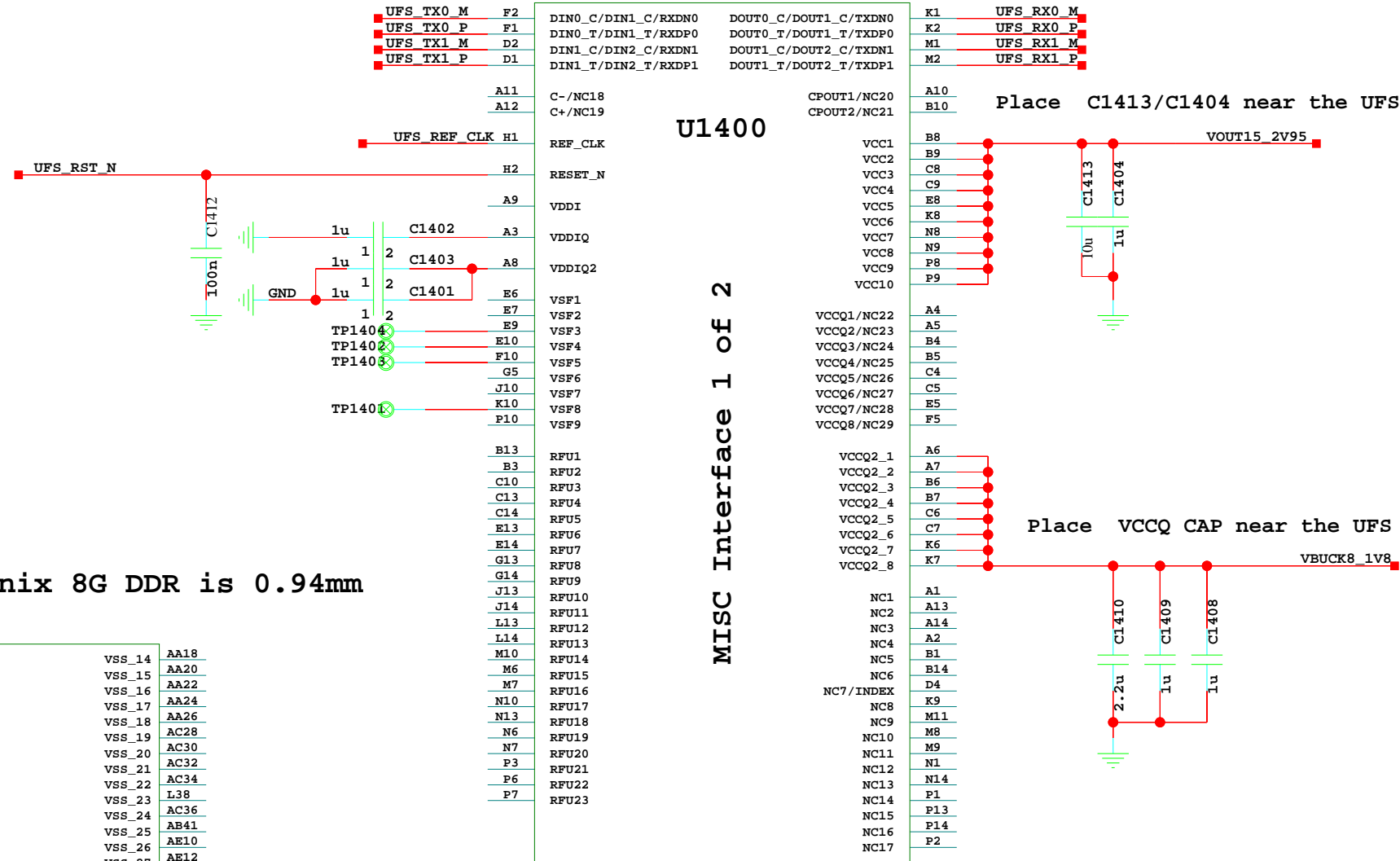
The type and specification of the components refer to the BOM

| | | | | | |
|----------|--------|----------|-------------|----------------------|------------|
| | | | | NA | 2017-12-18 |
| | | | | ECA NO | DATE |
| DESIGNED | HUAWEI | HL1CLTMC | | HUAWEI | |
| REVIEWED | HUAWEI | VER | PART_NUMBER | SHEET 13 OF 60 | |
| | | A | 03025BSN | HUAWEI TECH CO.,LTD. | |

14.UFS



该文档是极速PDF编辑器生成，
如果想去掉该提示，请访问并下载：
<http://www.jsupdfeditor.com/>



The Height of Hynix 8G DDR is 0.94mm

U300_POP
HI3670V100CSSOC

| | | | |
|------|---------------|--------|------|
| W36 | AVSS_PLL_SYS | VSS_14 | AA18 |
| AG26 | AVSS_PLL_PERI | VSS_15 | AA20 |
| AU20 | AVSS_PLL_CPU | VSS_16 | AA22 |
| J42 | AVSS_PLL_FIX | VSS_17 | AA24 |
| | | VSS_18 | AA26 |
| AC6 | AVSS_ABB_1 | VSS_19 | AC28 |
| AD1 | AVSS_ABB_2 | VSS_20 | AC30 |
| AB9 | AVSS_ABB_3 | VSS_21 | AC32 |
| AD9 | AVSS_ABB_4 | VSS_22 | AC34 |
| AD3 | AVSS_ABB_5 | VSS_23 | L38 |
| AJ2 | AVSS_ABB_6 | VSS_24 | AC36 |
| AF9 | AVSS_ABB_7 | VSS_25 | AB41 |
| AG6 | AVSS_ABB_8 | VSS_26 | AE10 |
| AH1 | AVSS_ABB_9 | VSS_27 | AE12 |
| AK3 | AVSS_ABB_10 | VSS_28 | AE14 |
| AH9 | AVSS_ABB_11 | VSS_29 | AE16 |
| AK7 | AVSS_ABB_12 | VSS_30 | AE18 |
| AK9 | AVSS_ABB_13 | VSS_31 | AE20 |
| AL4 | AVSS_ABB_14 | VSS_32 | AE22 |
| AL6 | AVSS_ABB_15 | VSS_33 | AE26 |
| AM7 | AVSS_ABB_16 | VSS_34 | AC38 |
| AN4 | AVSS_ABB_17 | VSS_35 | AC40 |
| AP1 | AVSS_ABB_18 | VSS_36 | AG28 |
| AP3 | AVSS_ABB_19 | VSS_37 | AG30 |
| N2 | AVSS_ABB_20 | VSS_38 | AG32 |
| N4 | AVSS_ABB_21 | VSS_39 | AG34 |
| N6 | AVSS_ABB_22 | VSS_40 | AF41 |
| P7 | AVSS_ABB_23 | VSS_41 | AJ10 |
| P9 | AVSS_ABB_24 | VSS_42 | AJ22 |
| P1 | AVSS_ABB_25 | VSS_43 | AJ24 |
| T9 | AVSS_ABB_26 | VSS_44 | AG36 |
| U6 | AVSS_ABB_27 | VSS_45 | AG38 |
| T5 | AVSS_ABB_28 | VSS_46 | AG40 |
| V9 | AVSS_ABB_29 | VSS_47 | AL28 |
| W6 | AVSS_ABB_30 | VSS_48 | AL32 |
| V1 | AVSS_ABB_31 | VSS_49 | AL34 |
| Y9 | AVSS_ABB_32 | VSS_50 | AL36 |
| | | VSS_51 | AJ48 |
| A2 | VSS_1 | VSS_52 | AK41 |
| A4 | VSS_2 | VSS_53 | AL10 |
| A18 | VSS_3 | VSS_54 | AL12 |
| A22 | VSS_4 | VSS_55 | AL14 |
| A28 | VSS_5 | VSS_56 | AL16 |
| A36 | VSS_6 | VSS_57 | AL20 |
| A42 | VSS_7 | VSS_58 | AM9 |
| A46 | VSS_8 | VSS_59 | AN6 |
| A48 | VSS_9 | VSS_60 | AN24 |
| AA10 | VSS_10 | VSS_61 | AN26 |
| AA12 | VSS_11 | VSS_62 | AL38 |
| AA14 | VSS_12 | VSS_63 | AV41 |
| AA16 | VSS_13 | VSS_64 | AR28 |

GND1 interface 8 of 10

The type and specification of the components refer to the BOM

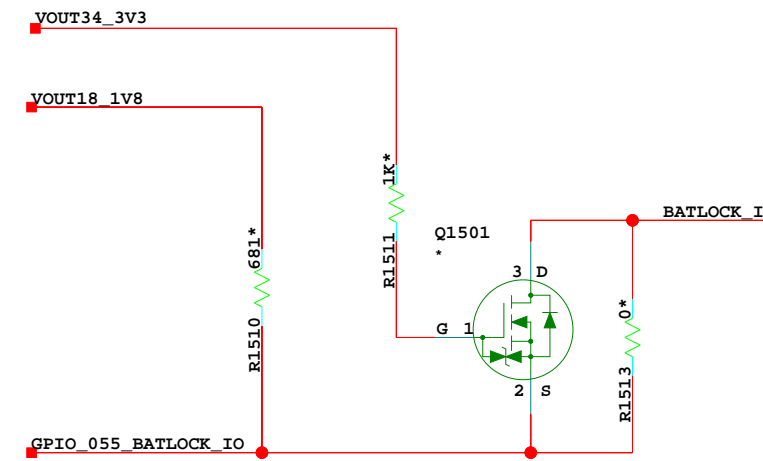
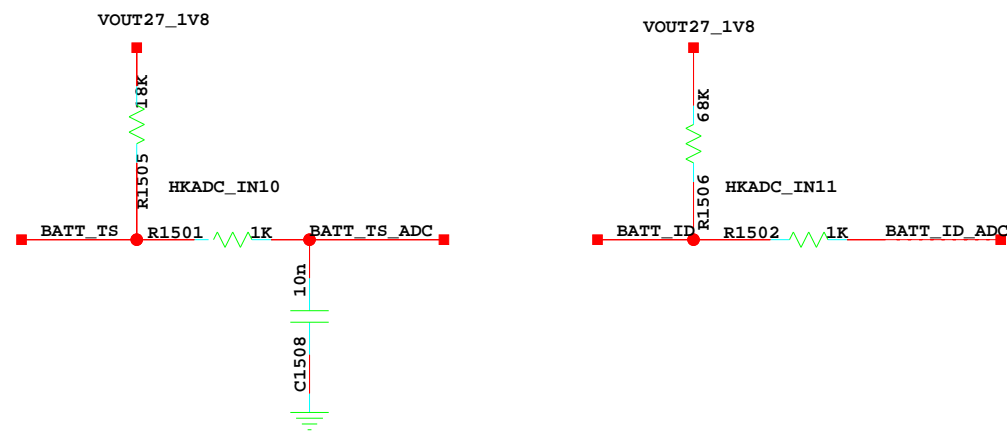
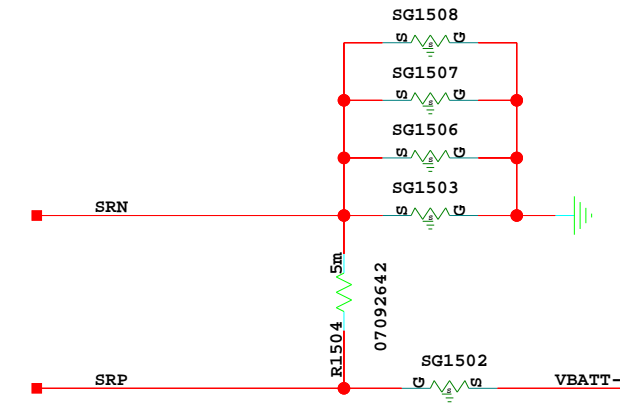
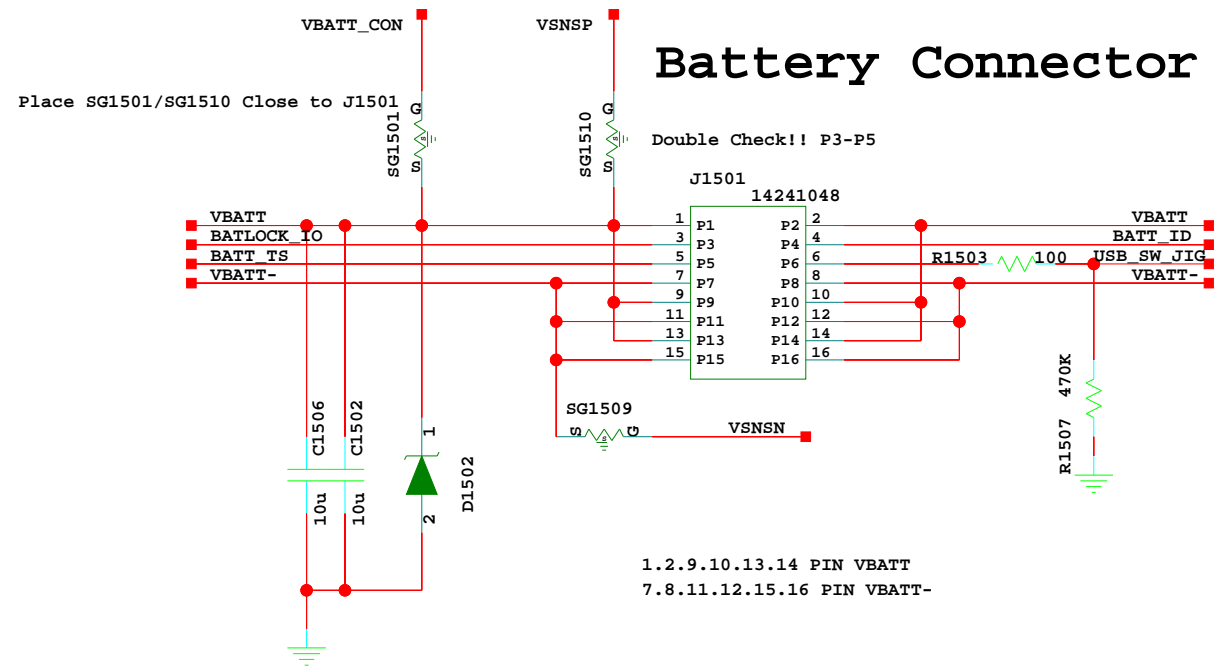
| | | | | | |
|----------|--------|----------|-------------|----------------------|------------|
| | | | | NA | 2017-12-18 |
| | | | | ECA NO | DATE |
| DESIGNED | HUAWEI | | | | |
| REVIEWED | HUAWEI | | | | |
| | | HL1CLTMC | | HUAWEI | |
| | | VER | PART_NUMBER | SHEET | 14 OF 60 |
| | | A | 03025BSN | HUAWEI TECH CO.,LTD. | |

15. Battery & Fuel gauge



该文档是极速PDF编辑器生成，
如果想去掉该提示，请访问并下载：
<http://www.jisupdfeditor.com/>

CAD note: 1.Trace for 6A
2.Differential trace



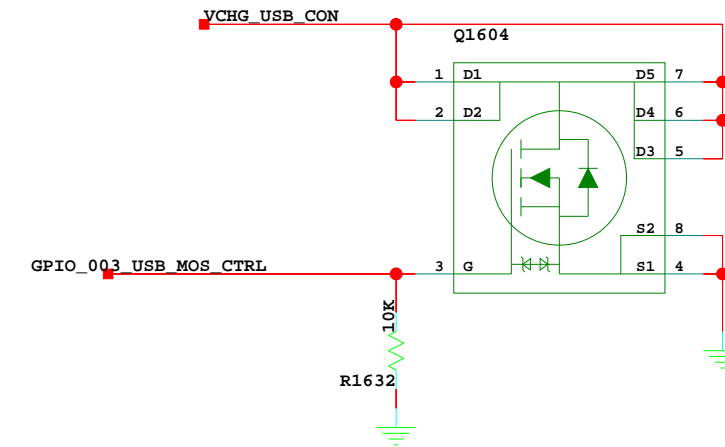
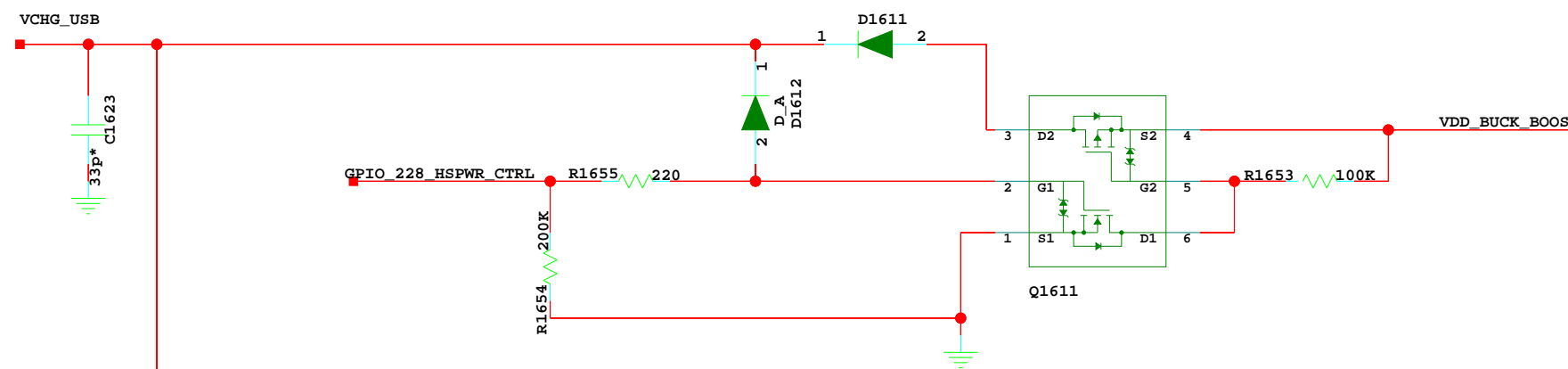
The type and specification of the components refer to the BOM

| | | | | | |
|----------|--------|----------|-------------|----------------------|------------|
| | | | | NA | 2017-12-18 |
| | | | | ECA NO | DATE |
| DESIGNED | HUAWEI | HL1CLTMC | | HUAWEI | |
| REVIEWED | HUAWEI | VER | PART_NUMBER | SHEET 15 OF 60 | |
| | | A | 03025BSN | HUAWEI TECH CO.,LTD. | |

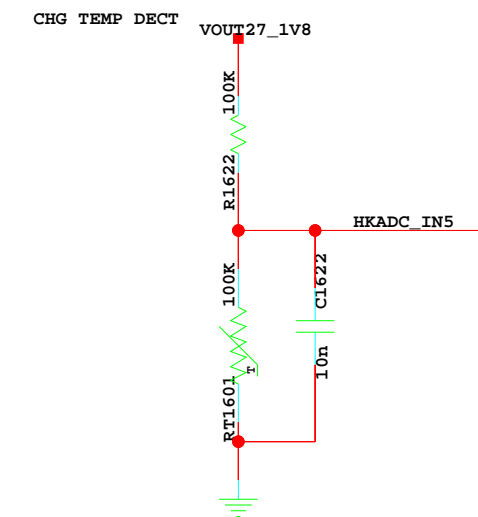
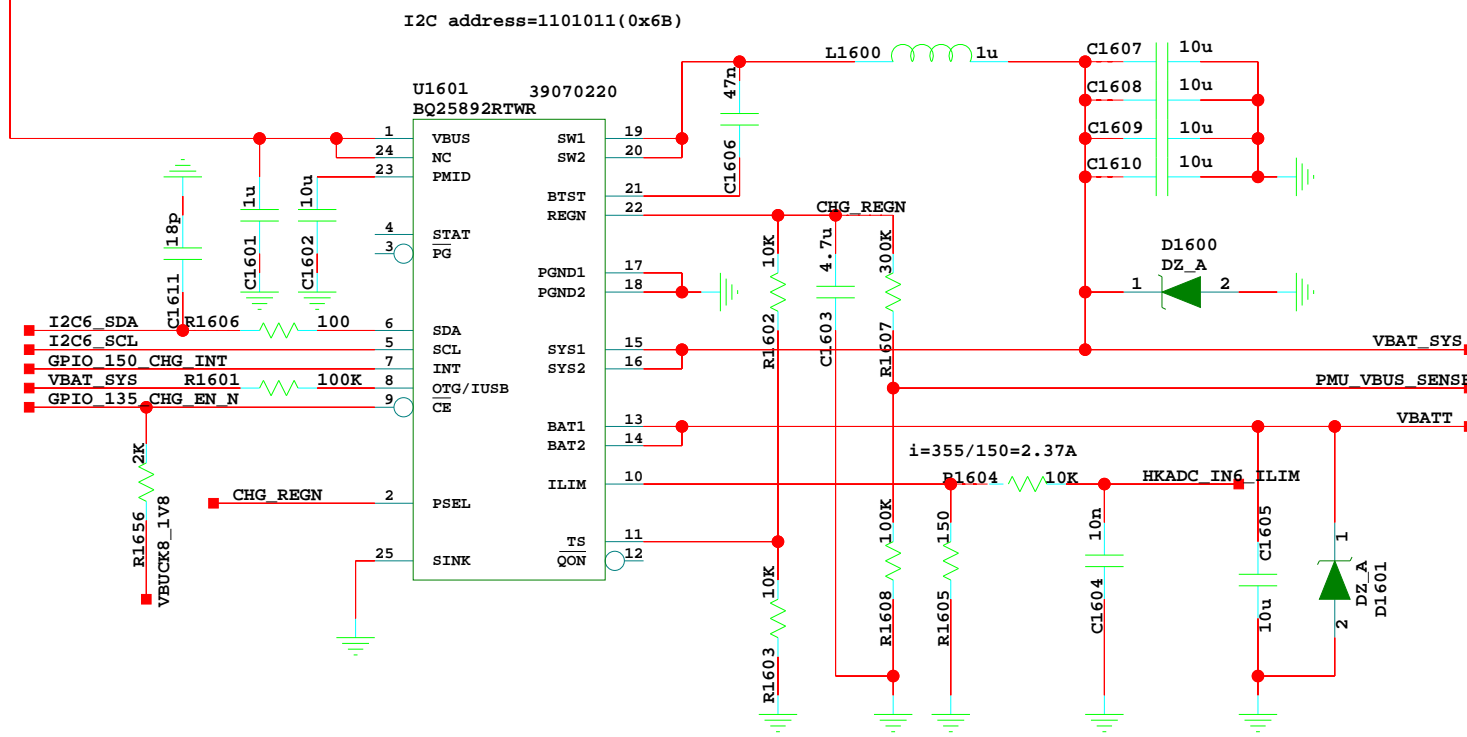
16. Charge Management



该文档是极速PDF编辑器生成，
如果想去掉该提示，请访问并下载：
<http://www.jisupdfeditor.com/>



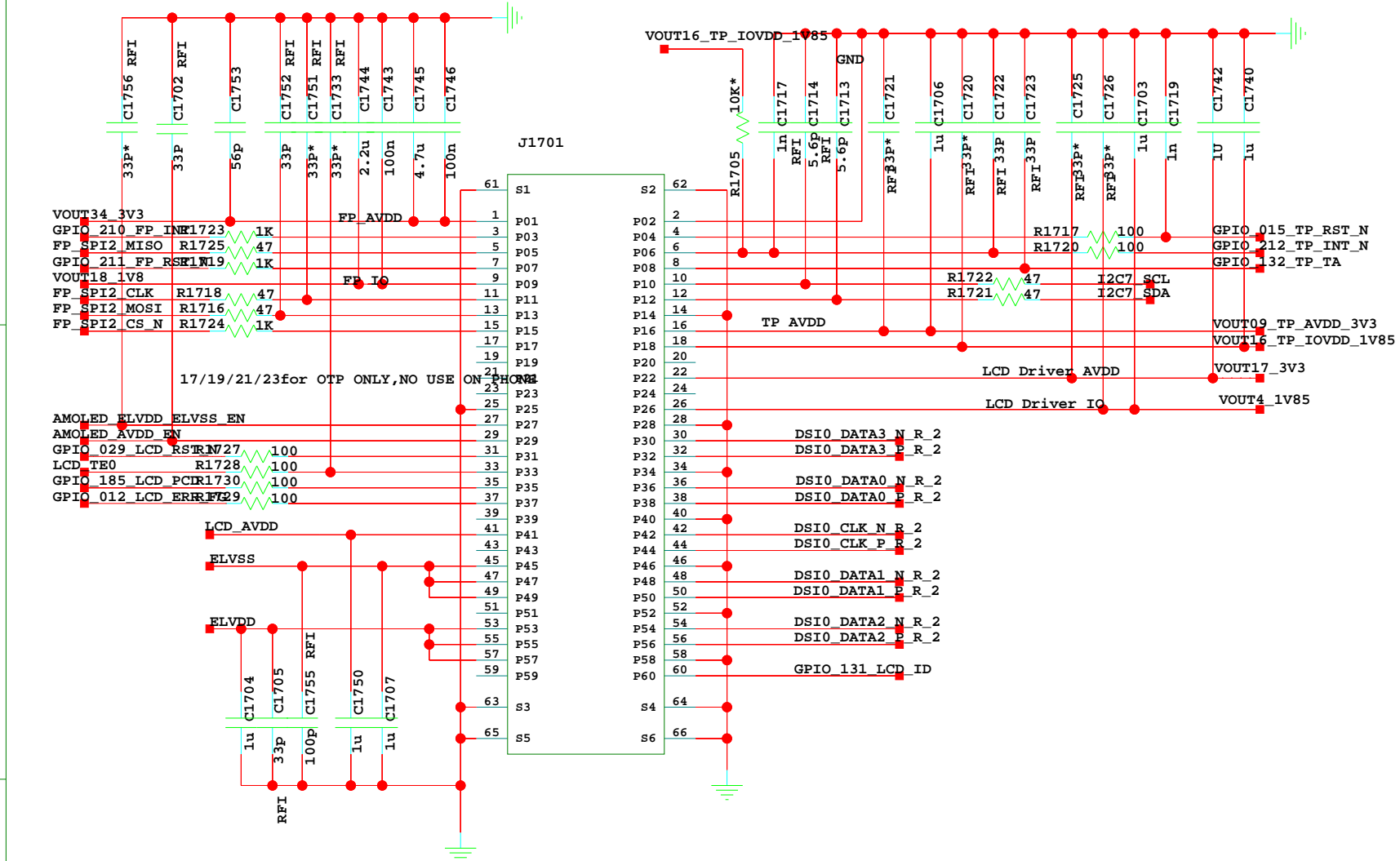
Charger IC



The type and specification of the components refer to the BOM

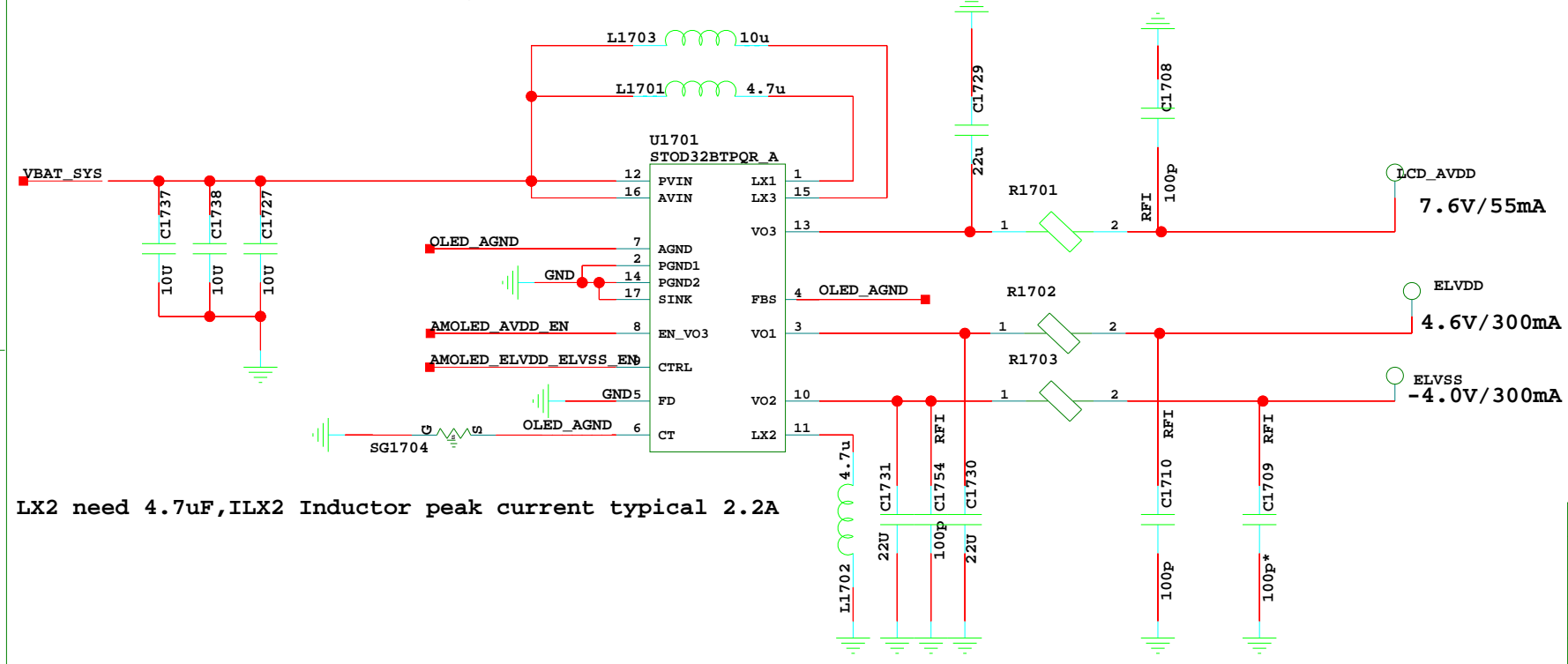
| | | | | | |
|----------|--------|----------|-------------|----------------------|------------|
| | | | | NA | 2017-12-18 |
| | | | | ECA NO | DATE |
| DESIGNED | HUAWEI | HL1CLTMC | | HUAWEI | |
| REVIEWED | HUAWEI | | | | |
| | | VER | PART_NUMBER | SHEET 16 OF 60 | |
| | | A | 03025BSN | HUAWEI TECH CO.,LTD. | |

17. LCD Interface



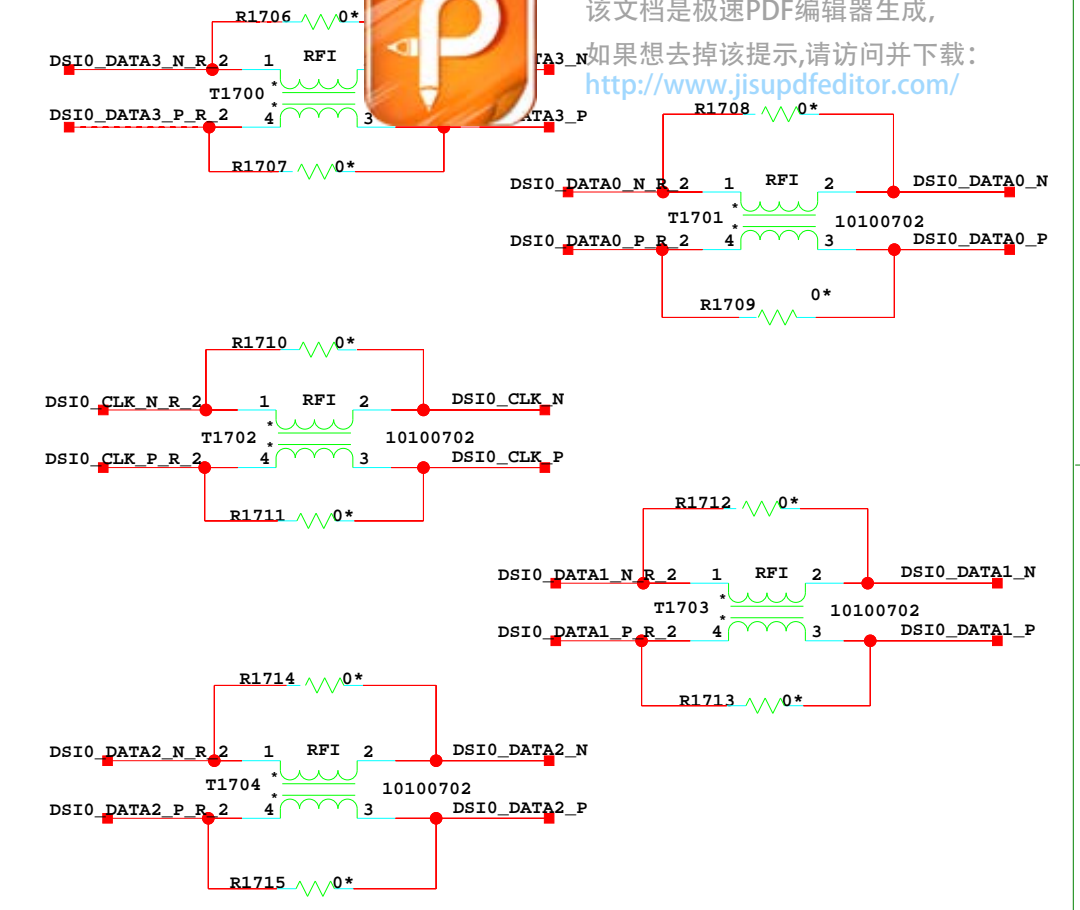
AMOLED Voltage Driver

LX1 need 4.7uF, ILX1 Inductor peak current typical 1.0A



LX2 need 4.7uF, ILX2 Inductor peak current typical 2.2A

Resistors and Inductors with Inductors



The type and specification of the components refer to the BOM

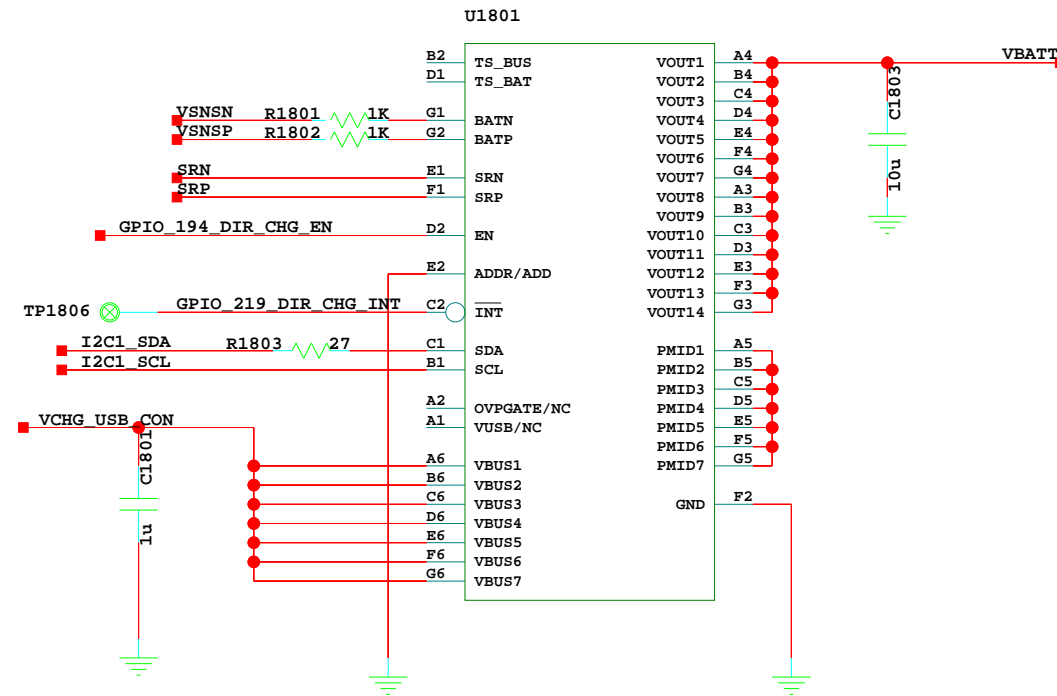
| | | | | | |
|----------|--------|----------|-------------|----------------------|------------|
| | | | | NA | 2017-12-18 |
| | | | | ECA NO | DATE |
| DESIGNED | HUAWEI | HL1CLTMC | | HUAWEI | |
| REVIEWED | HUAWEI | VER | PART_NUMBER | SHEET 17 OF 60 | |
| | | A | 03025BSN | HUAWEI TECH CO.,LTD. | |

18. Direct Charge LoadSwitch



该文档是极速PDF编辑器生成，
如果想去掉该提示，请访问并下载：
<http://www.jisupdfeditor.com/>

I2C Address=1100111(0x67)

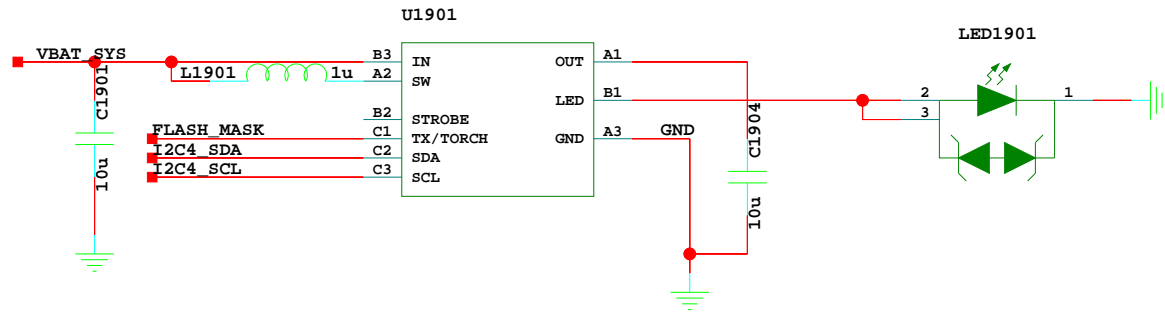


The type and specification of the components refer to the BOM

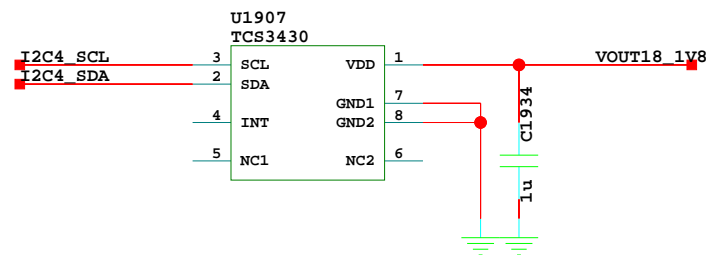
| | | | | | |
|----------|--------|----------|-------------|----------------------|------------|
| | | | | NA | 2017-12-18 |
| | | | | ECA NO | DATE |
| DESIGNED | HUAWEI | HL1CLTMC | | HUAWEI | |
| REVIEWED | HUAWEI | | | | |
| | | VER | PART_NUMBER | SHEET 18 OF 60 | |
| | | A | 03025BSN | HUAWEI TECH CO.,LTD. | |

19. Flash LED

I2C Address=1100011(0x63) For TI
I2C Address=1100111(0x67) For MPS

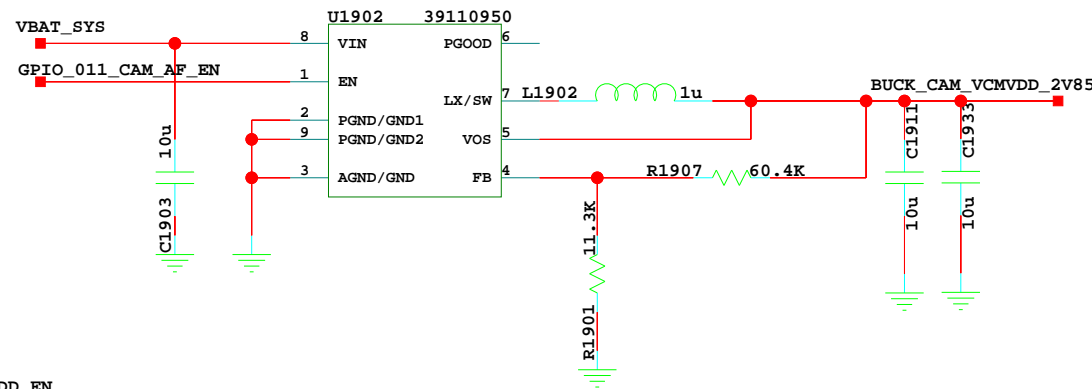


RGB SENSOR

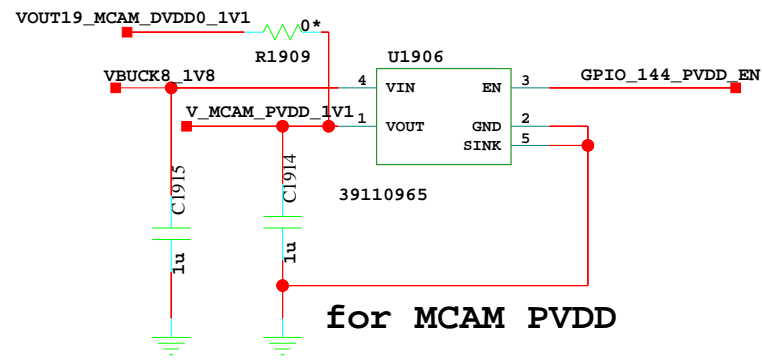


Camera BUCK

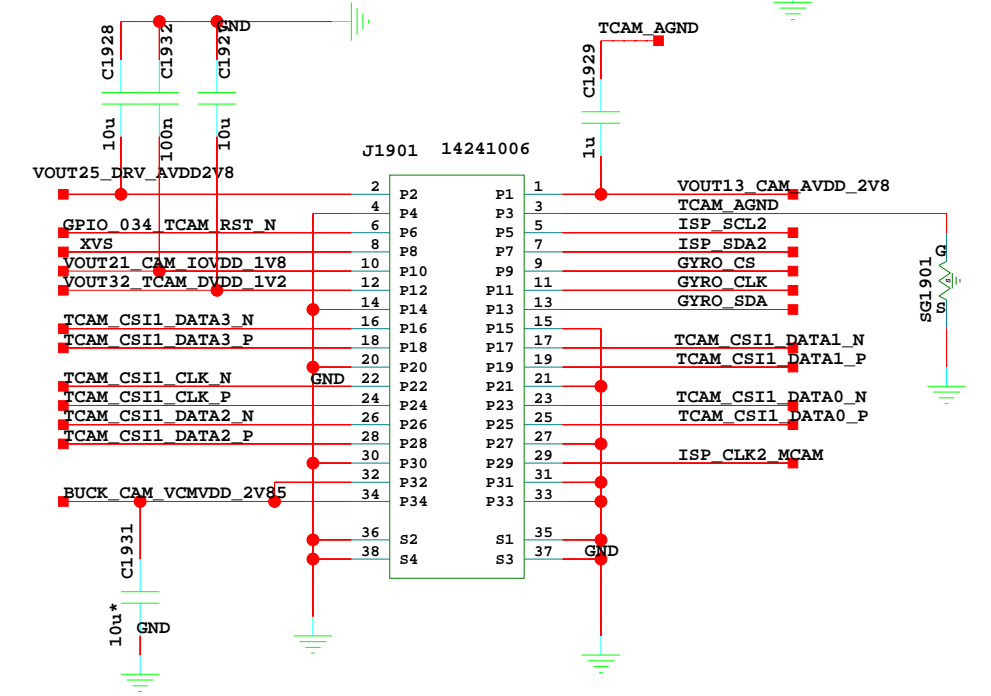
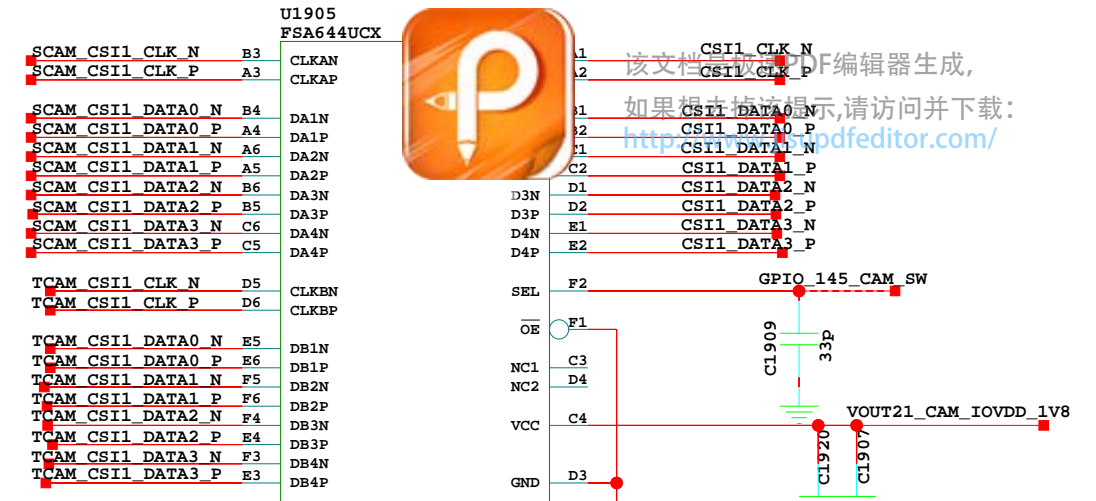
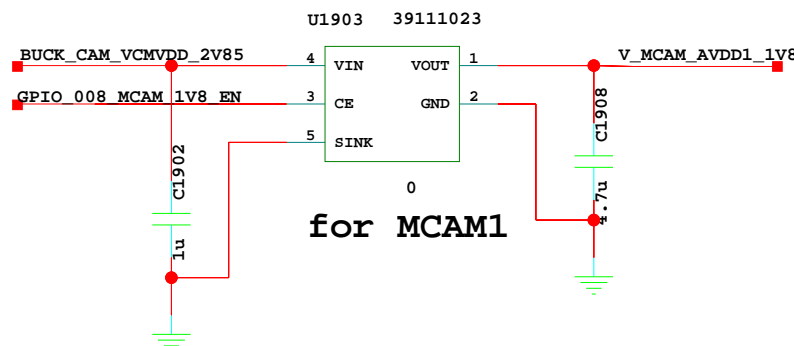
$$V_{OUT} = 0.45V * (1 + R1901/R1902) = 0.45 * 6.35 = 2.85V$$



for MCAM PVDD



for MCAM1



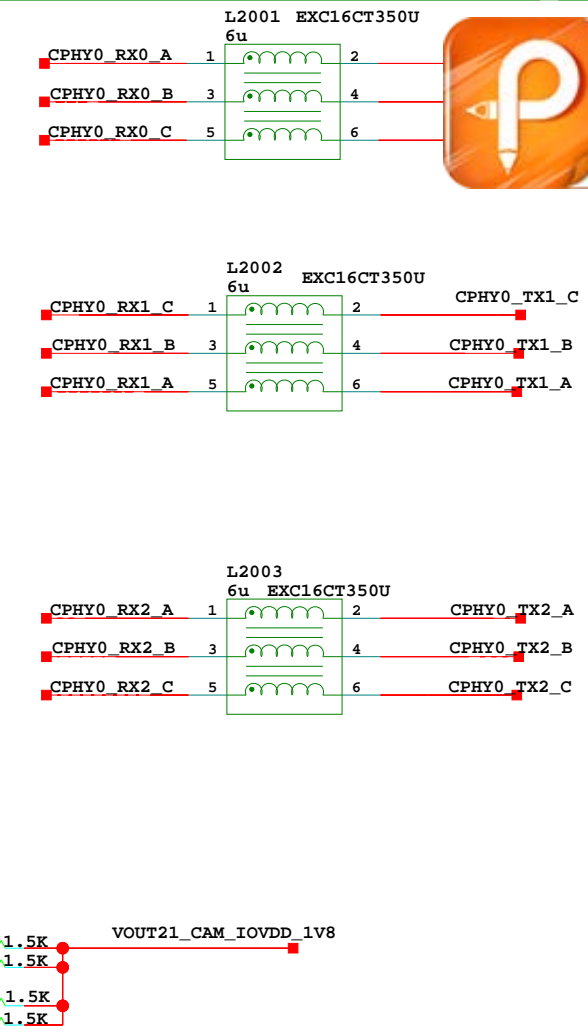
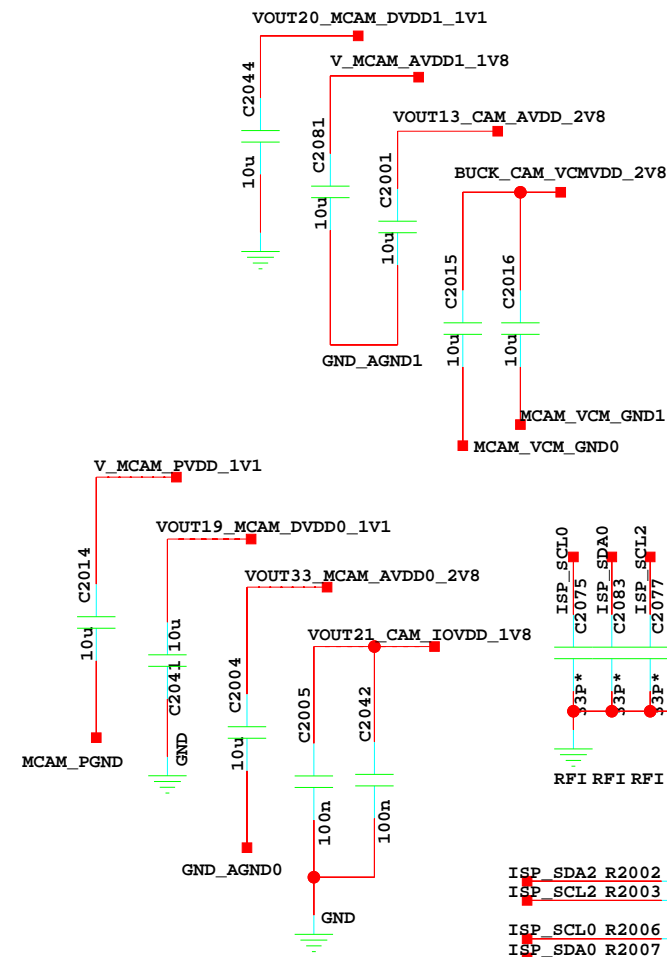
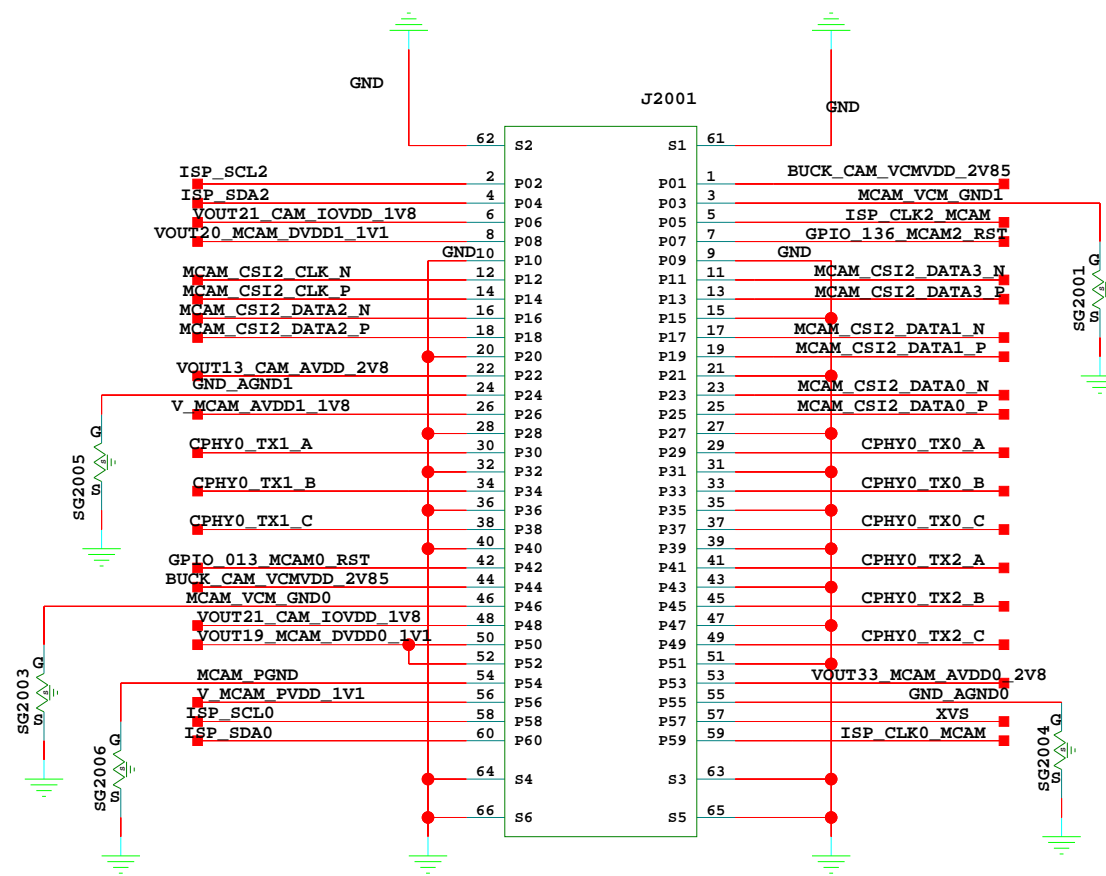
Shelter
R1910
R1911

The type and specification of the components refer to the BOM

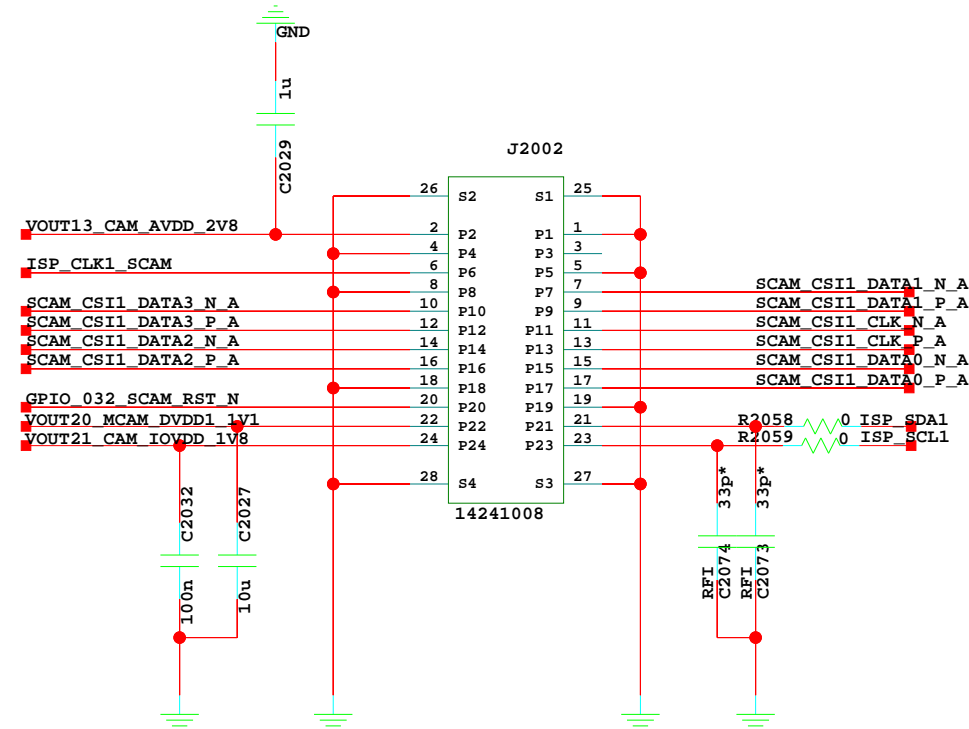
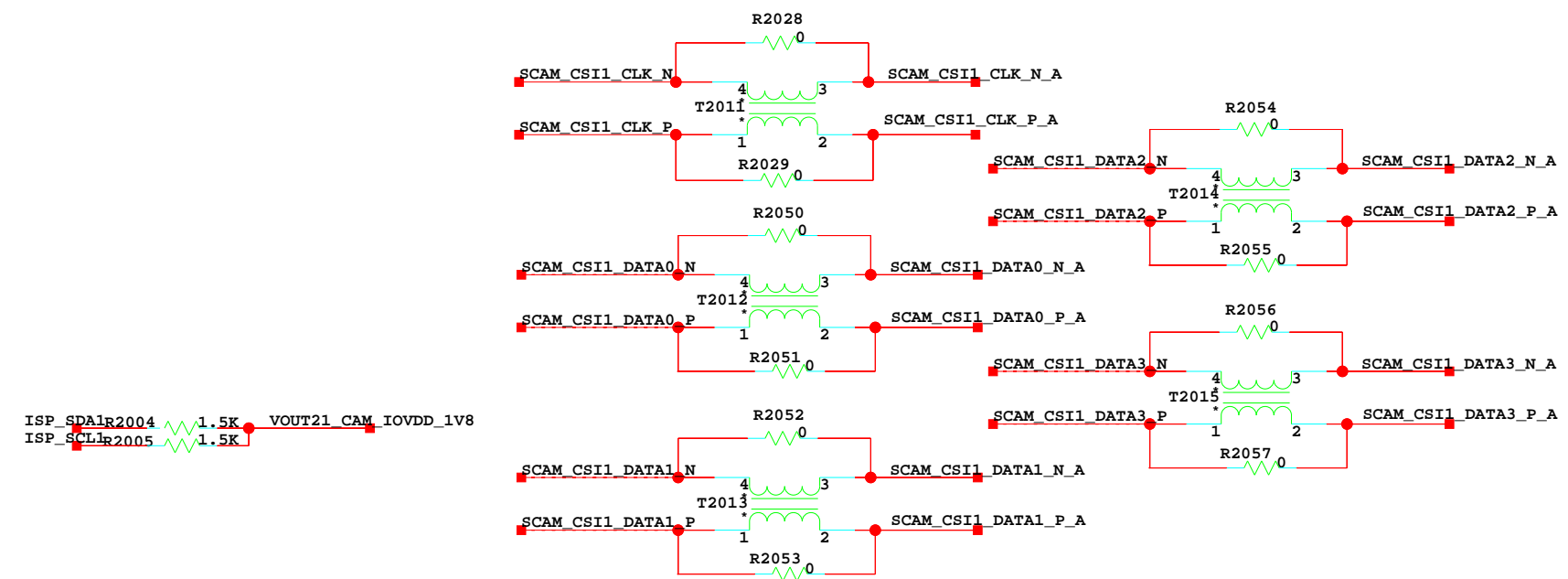
| | | | | | |
|----------|--------|----------|-------------|----------------------|------------|
| | | | | NA | 2017-12-18 |
| | | | | ECA NO | DATE |
| DESIGNED | HUAWEI | HL1CLTMC | | HUAWEI | |
| REVIEWED | HUAWEI | VER | PART_NUMBER | SHEET 19 OF 60 | |
| | | A | 03025BSN | HUAWEI TECH CO.,LTD. | |

20. Camera

该文档是极速PDF编辑器生成，
如果想去掉该提示，请访问并下载：
<http://www.jisupdfeditor.com/>



Share PADs with Inductors



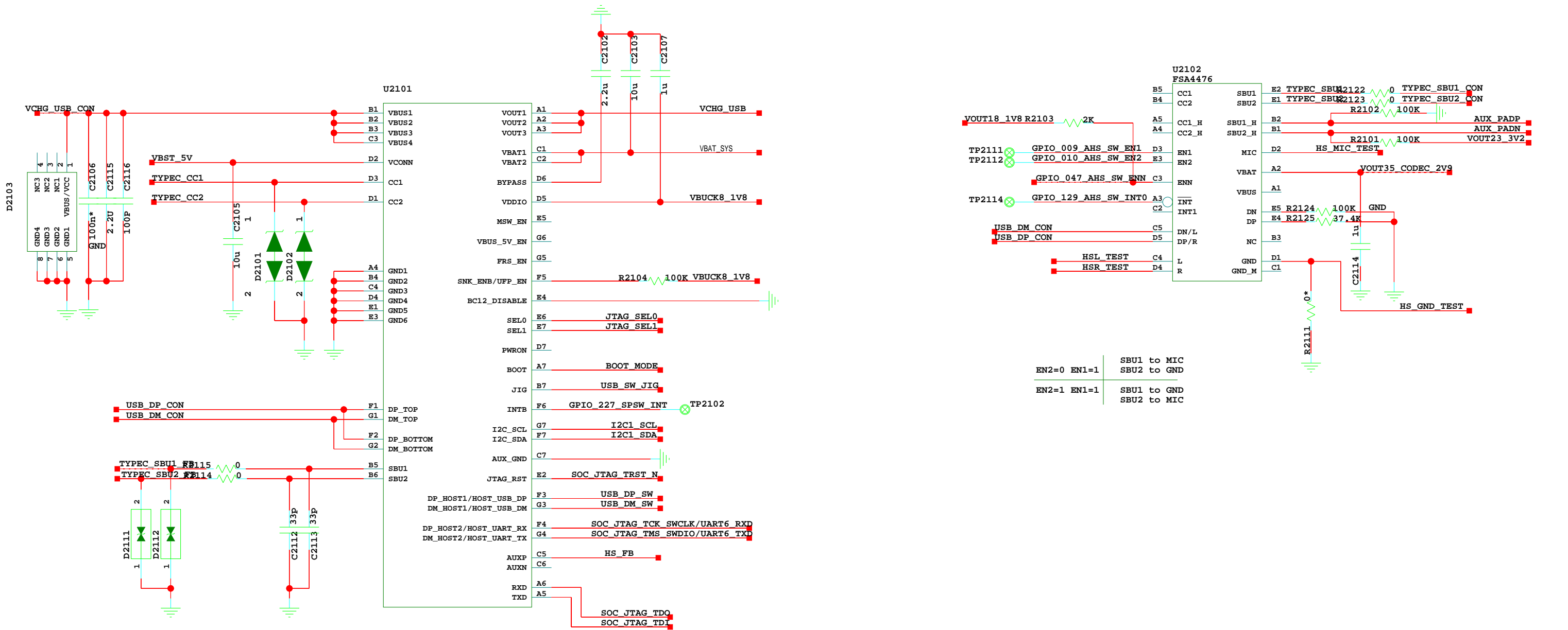
The type and specification of the components refer to the BOM

| | | | | |
|----------|--------|----------|-------------|----------------------|
| DESIGNED | HUAWEI | HL1CLTMC | NA | 2017-12-18 |
| REVIEWED | HUAWEI | | ECA NO | DATE |
| | | VER | PART_NUMBER | SHEET 20 OF 60 |
| | | A | 03025BSN | HUAWEI TECH CO.,LTD. |

21. TYPEC INTERFACE



该文档是极速PDF编辑器生成，
如果想去掉该提示，请访问并下载：
<http://www.jisupdfeditor.com/>



The type and specification of the components refer to the BOM

| | | | | | |
|----------|--------|----------|-------------|----------------------|------------|
| | | | | NA | 2017-12-18 |
| | | | | ECA NO | DATE |
| DESIGNED | HUAWEI | HL1CLTMC | | HUAWEI | |
| REVIEWED | HUAWEI | | | | |
| | | VER | PART_NUMBER | SHEET 21 OF 60 | |
| | | A | 03025BSN | HUAWEI TECH CO.,LTD. | |

22.CODEC HI6403



该文档是极速PDF编辑器生成，
如果想去掉该提示，请访问并下载：
<http://www.jisupdfeditor.com/>



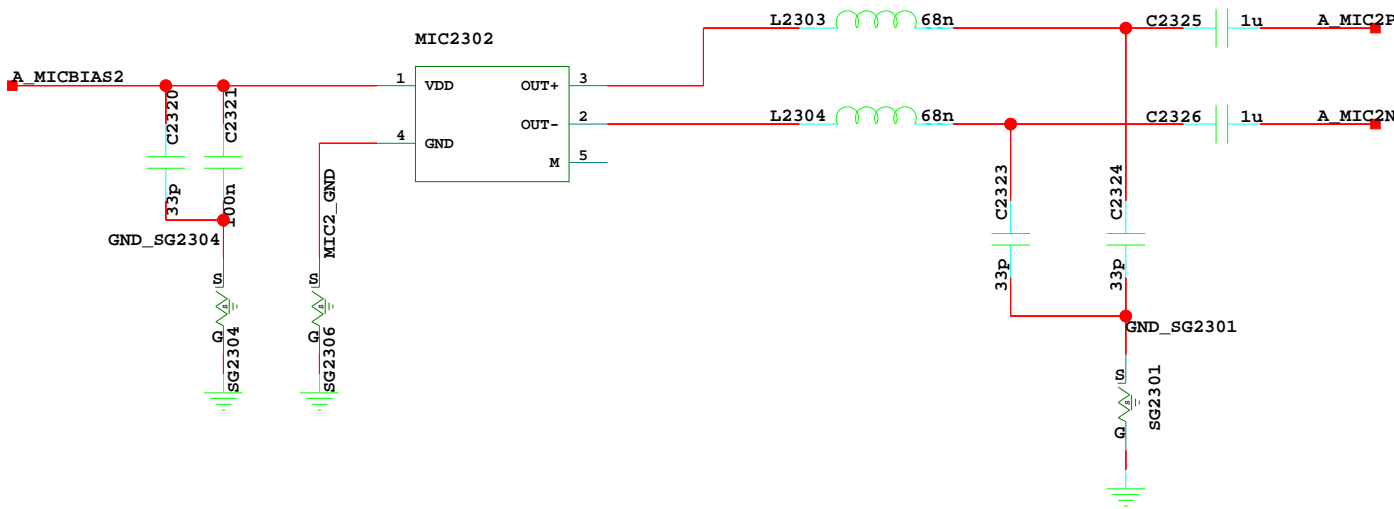
MAIN MIC1 Close To SPK
SLAVE MIC Close To RCV

The type and specification of the components refer to the BOM

| BootMode0 | BootMode1 | Function(BootROM Start) | DESIGNED | HUAWEI | HL1CLTMC | VER | PART_NUMBER | SHEET 22 OF 60 |
|-----------|-----------|-------------------------|----------|--------|----------|-----|-------------|----------------------|
| 1 | 1 | NA | | | | A | 03025BSN | HUAWEI TECH CO.,LTD. |
| 1 | 0 | SSI Start | | | | | | |
| 0 | 1 | I2C Start | | | | | | |
| 0 | 0 | SLIMBUS Start | | | | | | |

23. MIC/VIB

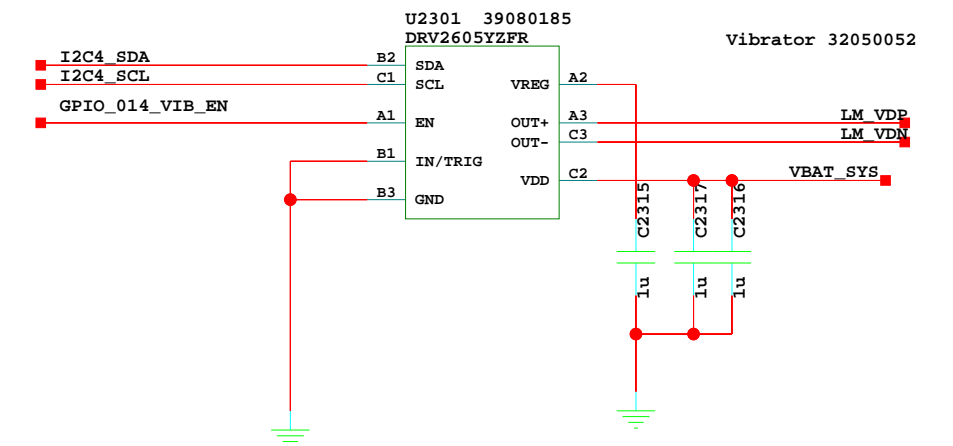
Slave MIC



该文档是极速PDF编辑器生成，
如果想去掉该提示，请访问并下载：
<http://www.jisupdfeditor.com/>

Linear Vibrator Driver

I2C address=1011010(0X5A)



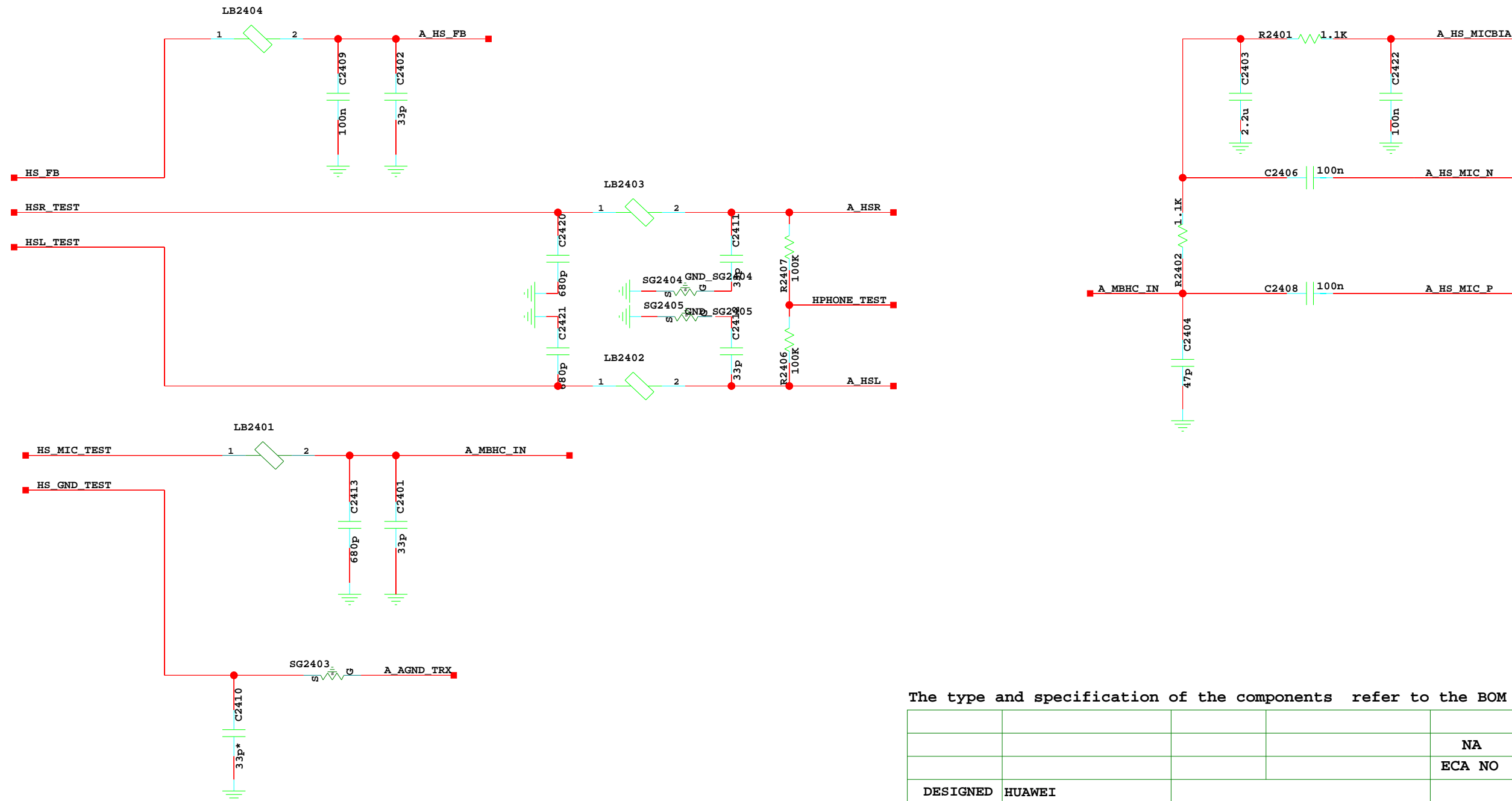
The type and specification of the components refer to the BOM

| | | | | | |
|----------|--------|----------|-------------|----------------------|------------|
| | | | | NA | 2017-12-18 |
| | | | | ECA NO | DATE |
| DESIGNED | HUAWEI | HL1CLTMC | | HUAWEI | |
| REVIEWED | HUAWEI | | | | |
| | | VER | PART_NUMBER | SHEET 23 OF 60 | |
| | | A | 03025BSN | HUAWEI TECH CO.,LTD. | |

24. Headphone



该文档是极速PDF编辑器生成，
如果想去掉该提示，请访问并下载：
<http://www.jisupdfeditor.com/>

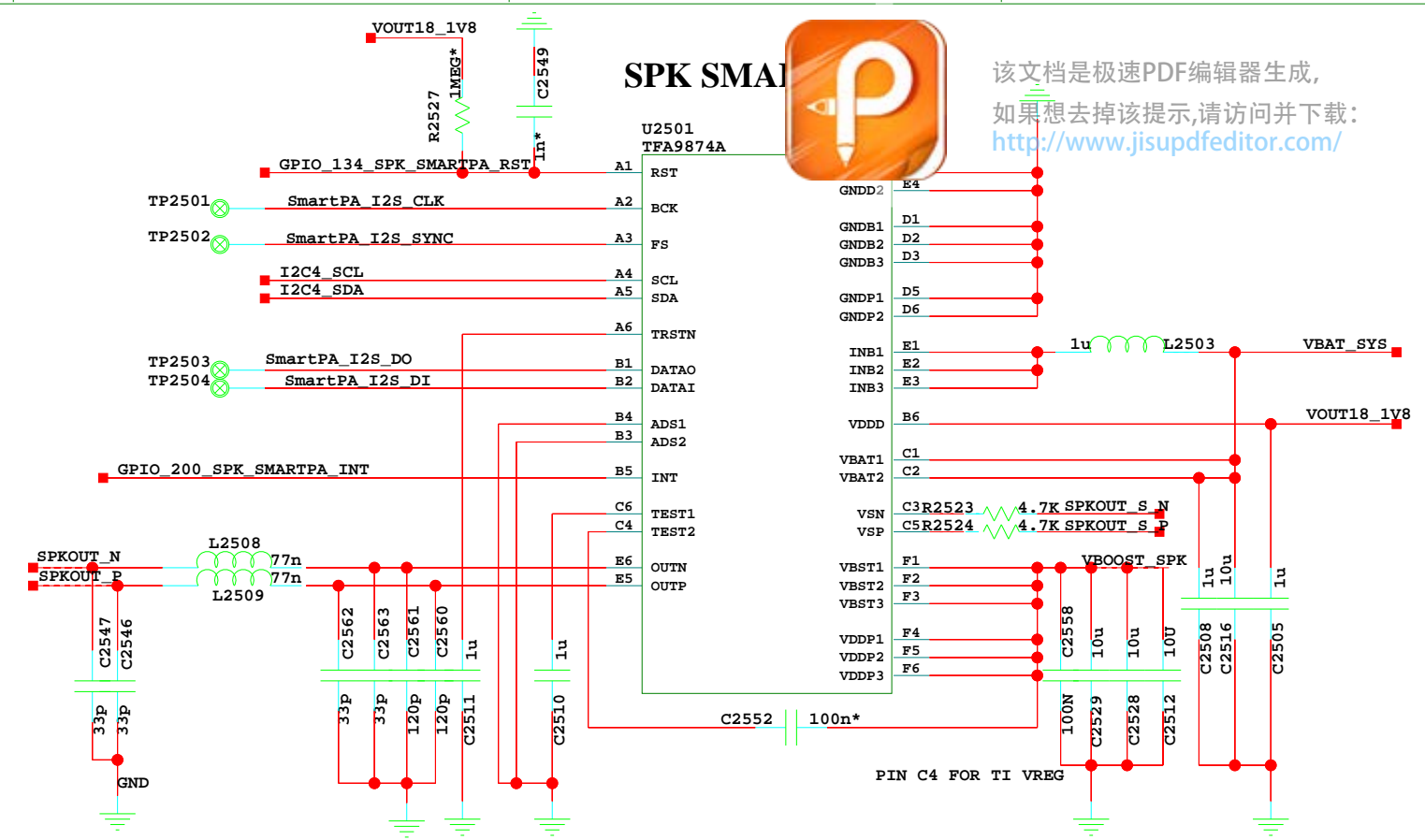
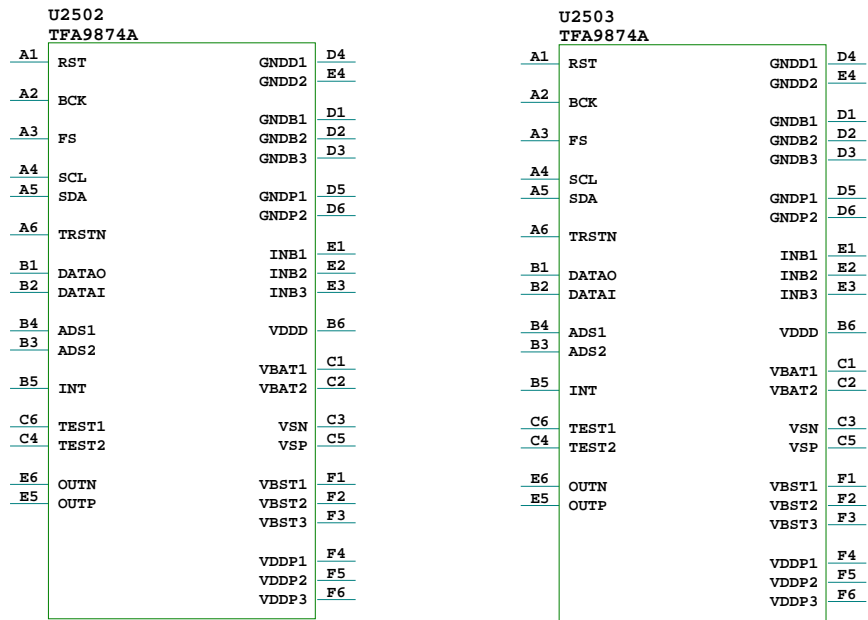


The type and specification of the components refer to the BOM

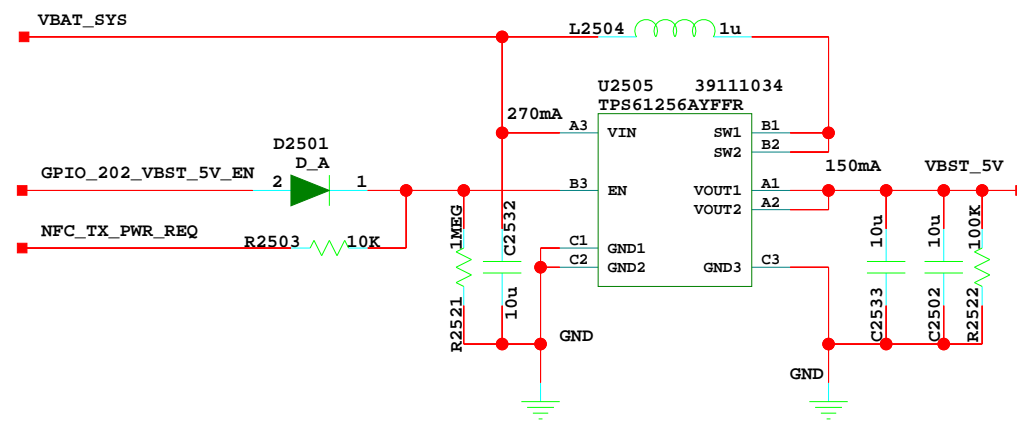
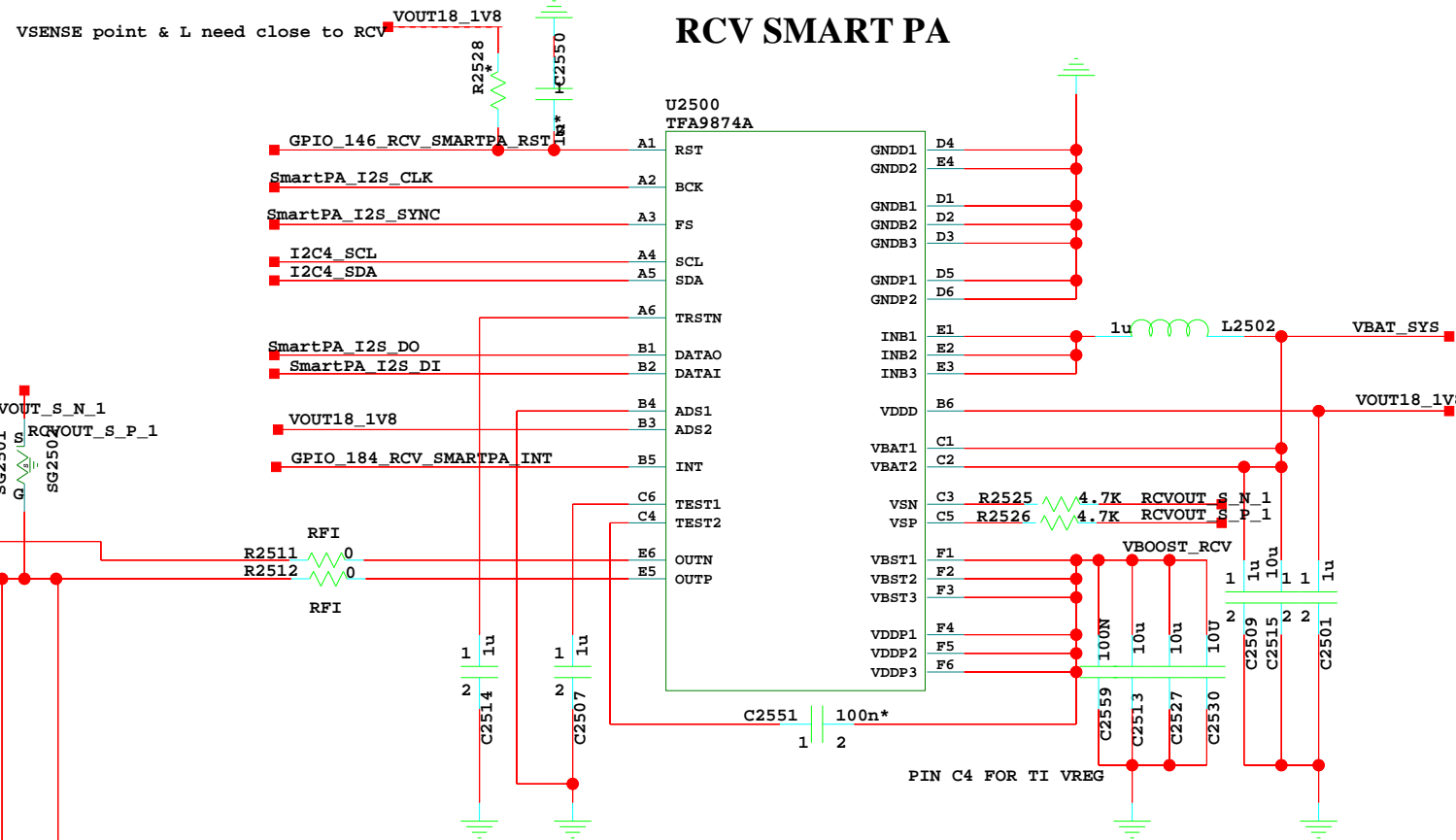
| | | | | | |
|----------|--------|----------|-------------|----------------------|------------|
| | | | | NA | 2017-12-18 |
| | | | | ECA NO | DATE |
| DESIGNED | HUAWEI | HL1CLTMC | | HUAWEI | |
| REVIEWED | HUAWEI | VER | PART_NUMBER | SHEET 24 OF 60 | |
| | | A | 03025BSN | HUAWEI TECH CO.,LTD. | |

25. Audio

RCV SMART PA FOR CIRRUS SPK SMART PA FOR CIRRUS



RCV SMART PA



The type and specification of the components refer to the BOM

| | | | | | |
|----------|--------|-----|-------------|----------------------|------------|
| DESIGNED | HUAWEI | VER | PART_NUMBER | NA | 2017-12-18 |
| REVIEWED | HUAWEI | A | 03025BSN | ECA NO | DATE |
| HL1CLTMC | | | | HUAWEI | |
| | | | | SHEET 25 OF 60 | |
| | | | | HUAWEI TECH CO.,LTD. | |

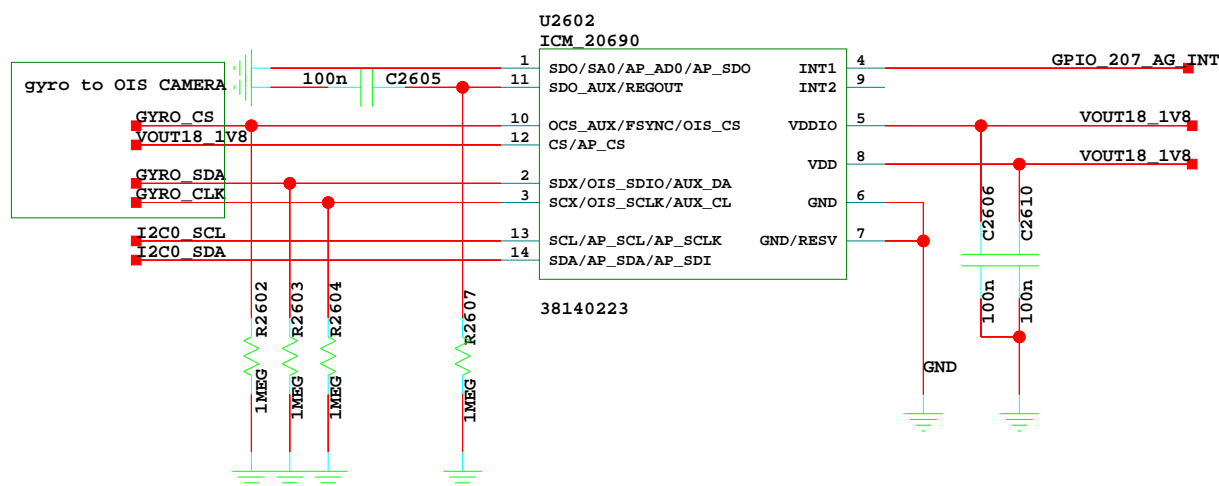
26. X-Sensor



该文档是极速PDF编辑器生成，
如果想去掉该提示，请访问并下载：
<http://www.jisupdfeditor.com/>

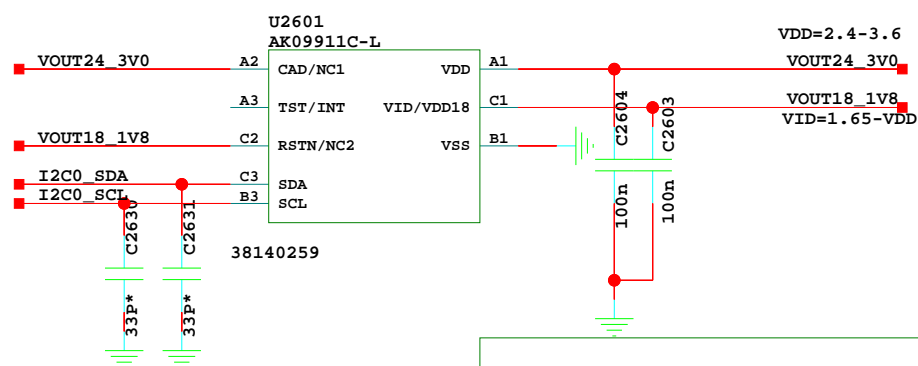
Accelerometer and Gyroscope 6-AXIS SENSOR

SDO=1 ADDRESS=0X6B(ST)/0X69(INVENSENS)
SDO=0 ADDRESS=0X6A(ST)/0X68(INVENSENS)

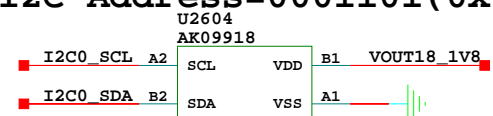


Compass

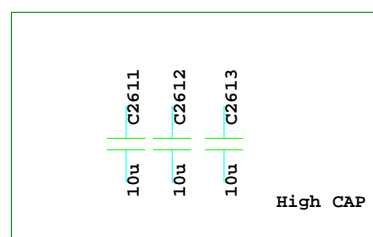
I2C Address=0101110(0x2E) For YAMAHA
I2C Address=0001101(0x0D) For AKM



I2C Address=0001101(0x0C)



share pad with U2601



The type and specification of the components refer to the BOM

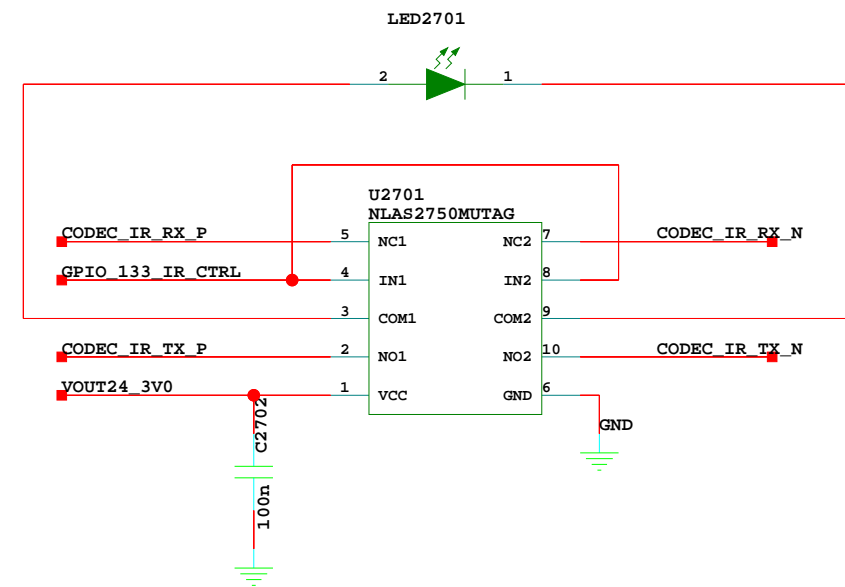
| | | | | | |
|----------|--------|----------|-------------|----------------------|------------|
| | | | | NA | 2017-12-18 |
| | | | | ECA NO | DATE |
| DESIGNED | HUAWEI | HL1CLTMC | | HUAWEI | |
| REVIEWED | HUAWEI | VER | PART_NUMBER | SHEET 26 OF 60 | |
| | | A | 03025BSN | HUAWEI TECH CO.,LTD. | |

27. X-Sensor+IrDA



该文档是极速PDF编辑器生成，
如果想去掉该提示，请访问并下载：
<http://www.jisupdfeditor.com/>

IRDA Control



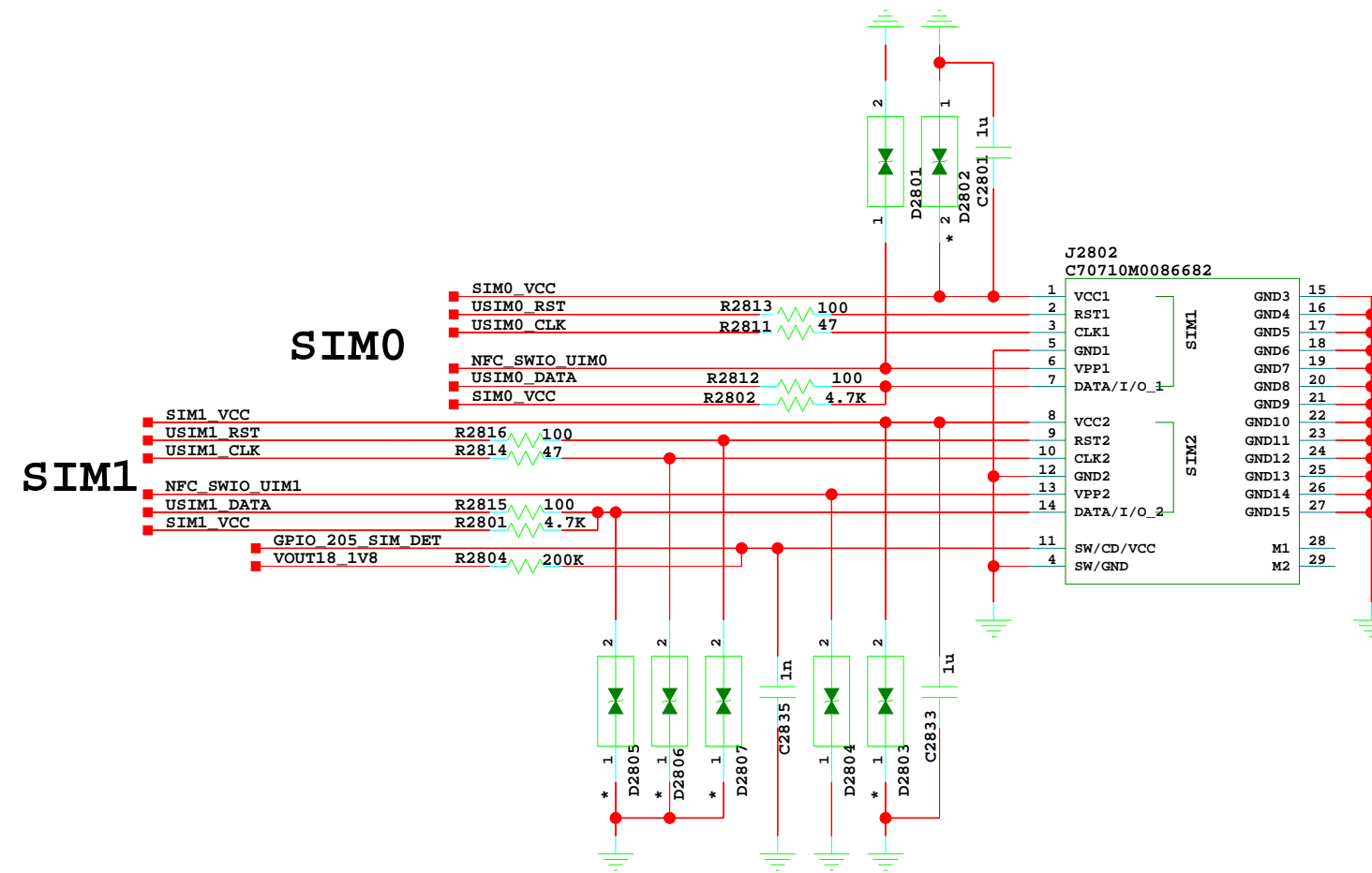
The type and specification of the components refer to the BOM

| | | | | | |
|----------|--------|----------|-------------|----------------------|------------|
| | | | | NA | 2017-12-18 |
| | | | | ECA NO | DATE |
| DESIGNED | HUAWEI | HL1CLTMC | | HUAWEI | |
| REVIEWED | HUAWEI | | | | |
| | | VER | PART_NUMBER | SHEET 27 OF 60 | |
| | | A | 03025BSN | HUAWEI TECH CO.,LTD. | |

28.SIM/uSD Card



该文档是极速PDF编辑器生成，
如果想去掉该提示，请访问并下载：
<http://www.jisupdfeditor.com/>



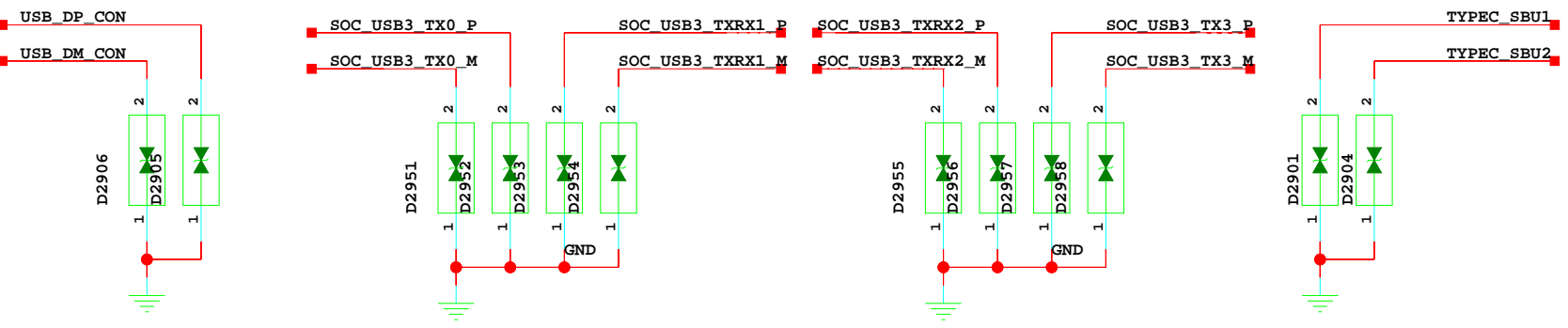
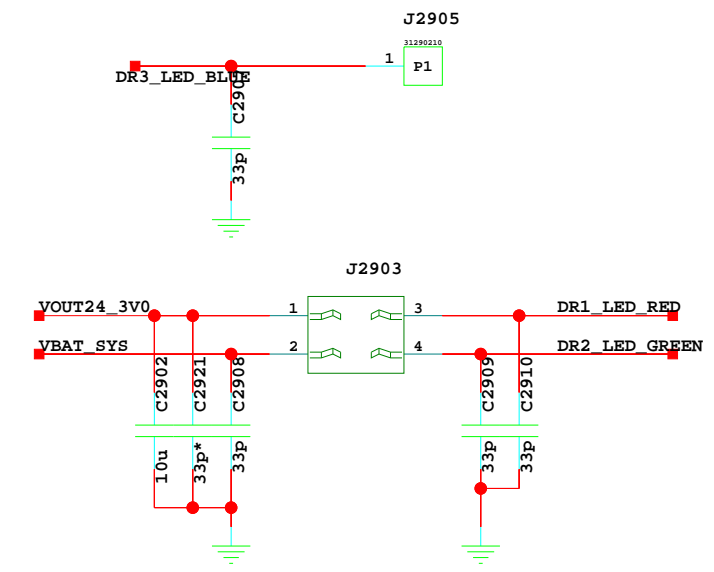
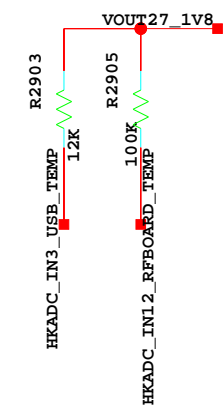
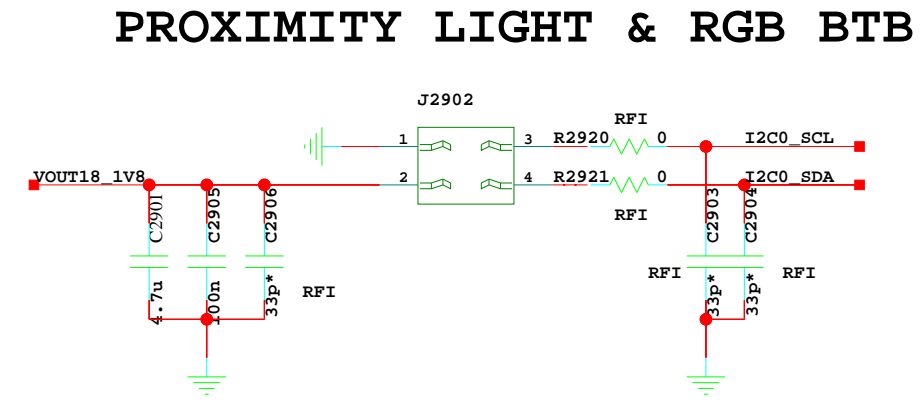
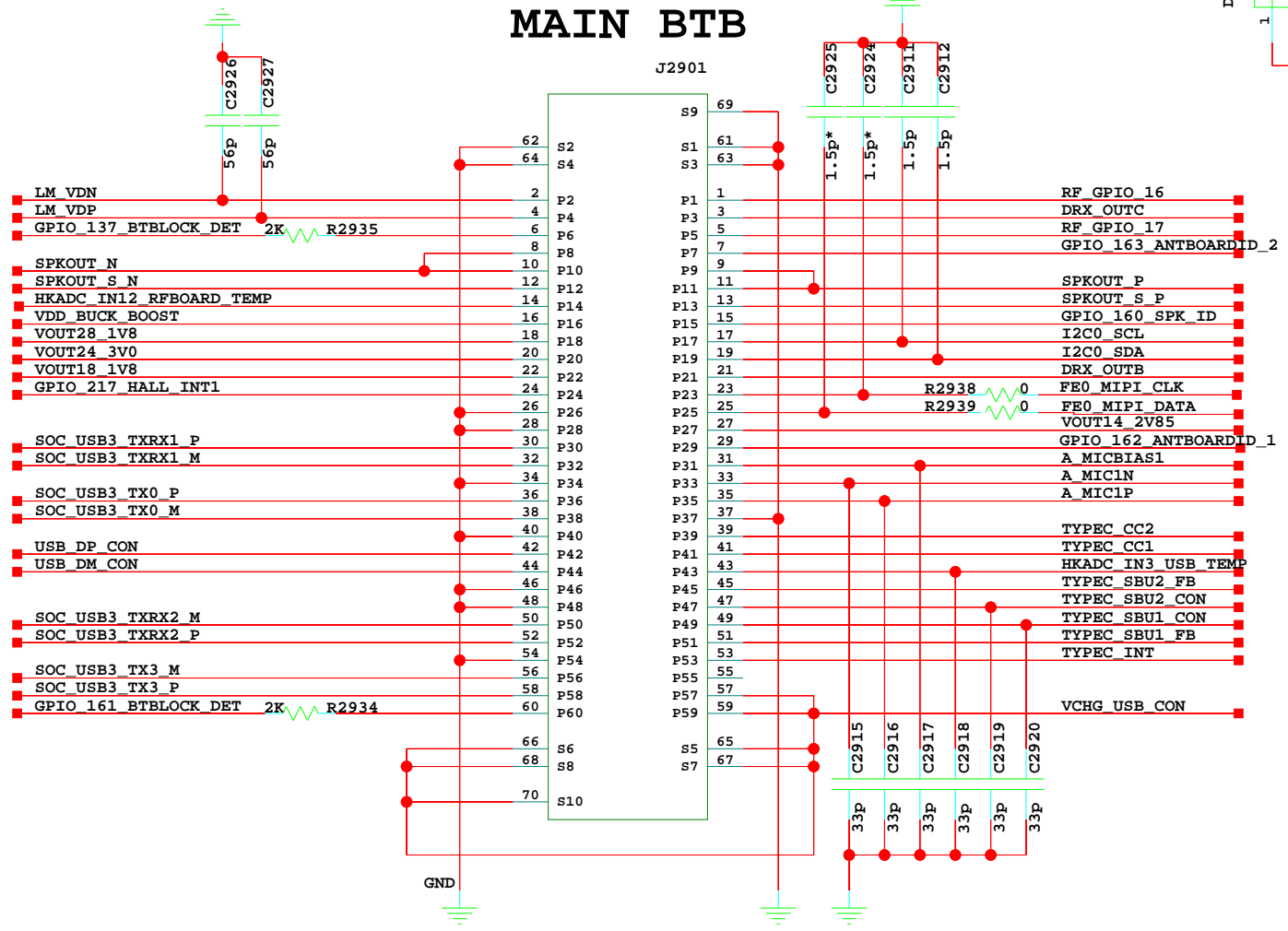
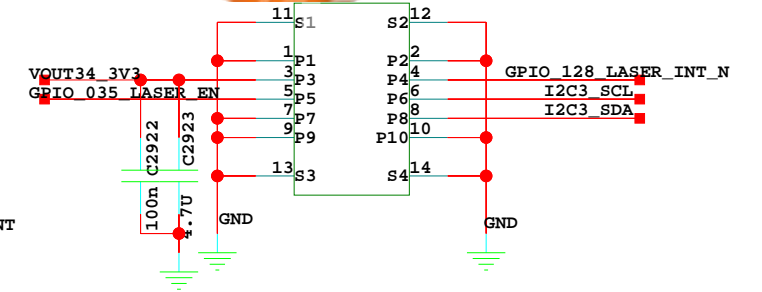
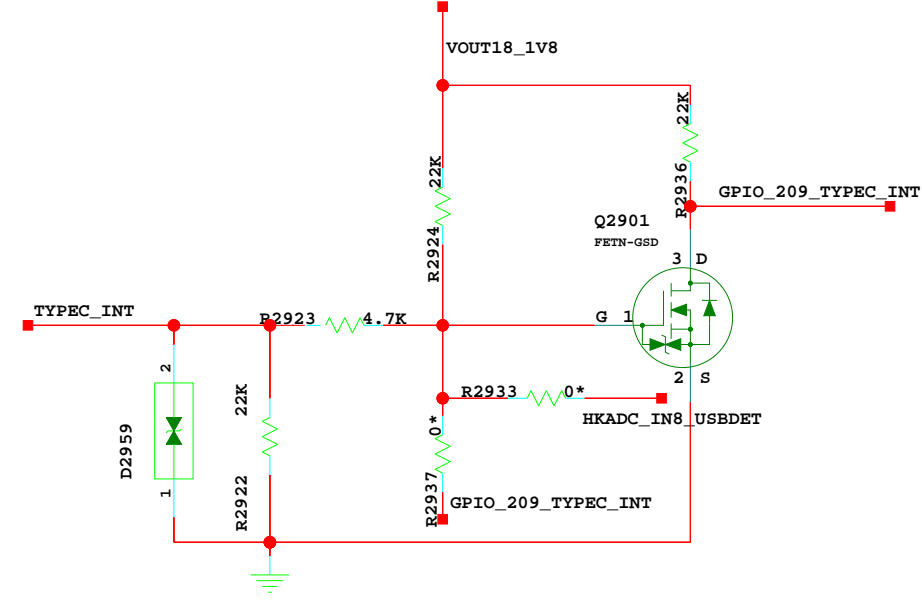
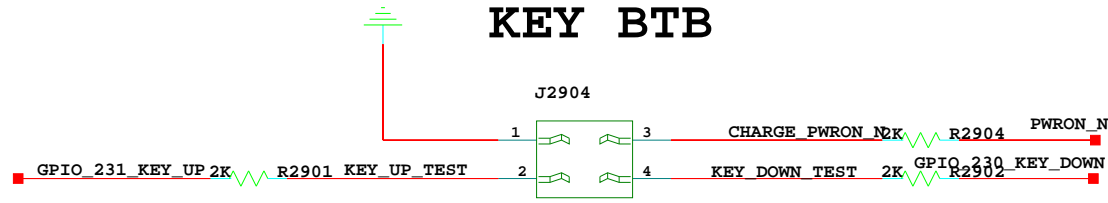
The type and specification of the components refer to the BOM

| | | | | | |
|----------|--------|----------|-------------|----------------------|------------|
| | | | | NA | 2017-12-18 |
| | | | | ECA NO | DATE |
| DESIGNED | HUAWEI | HL1CLTMC | | HUAWEI | |
| REVIEWED | HUAWEI | VER | PART_NUMBER | SHEET 28 OF 60 | |
| | | A | 03025BSN | HUAWEI TECH CO.,LTD. | |

29. FPC Interface



该文档是极速PDF编辑器生成, 请去掉该提示, 请访问并下载: <http://www.jisupdfeditor.com/>



The type and specification of the components refer to the BOM

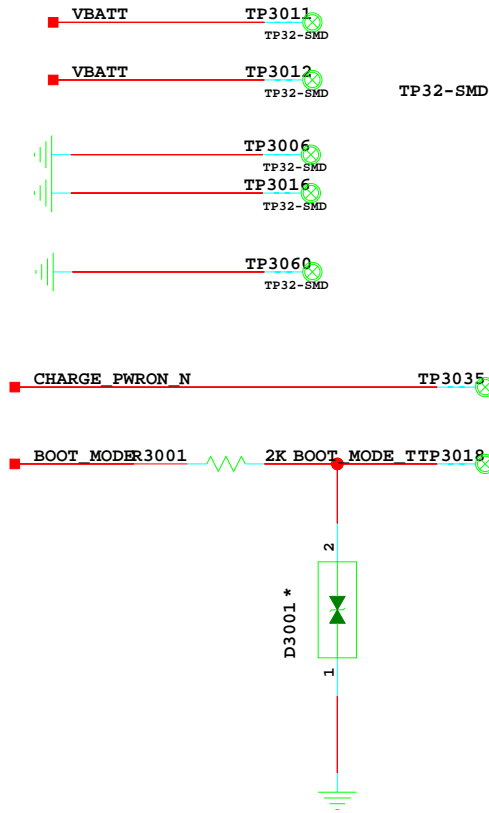
| | | | |
|----------|----------|----------------------|-------------|
| DESIGNED | HUAWEI | NA | 2017-12-18 |
| REVIEWED | HUAWEI | ECA NO | DATE |
| HL1CLTMC | | HUAWEI | |
| | | VER | PART_NUMBER |
| A | 03025BSN | HUAWEI TECH CO.,LTD. | |

30. Test Points/Shields

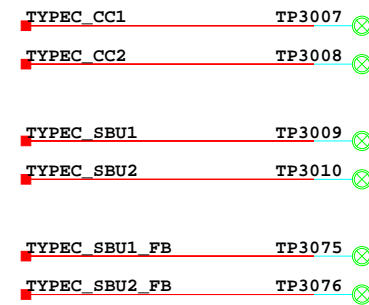


该文档是极速PDF编辑器生成，
如果想去掉该提示，请访问并下载：
<http://www.jisupdfeditor.com/>

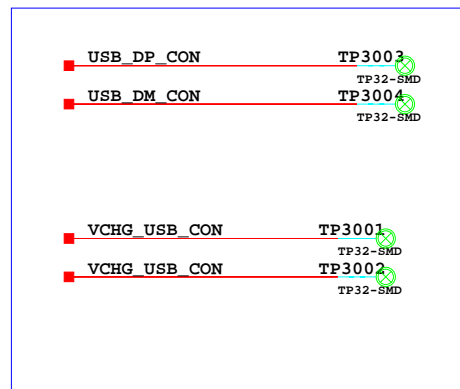
CBT TEST POINT



TYPE C



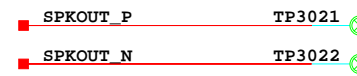
USB



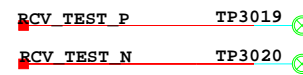
MIC



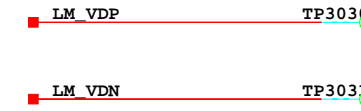
Speaker



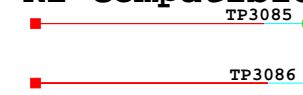
RCV



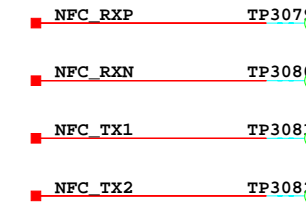
Vibrator



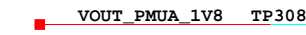
R1 Compatible



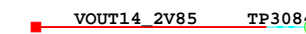
NFC



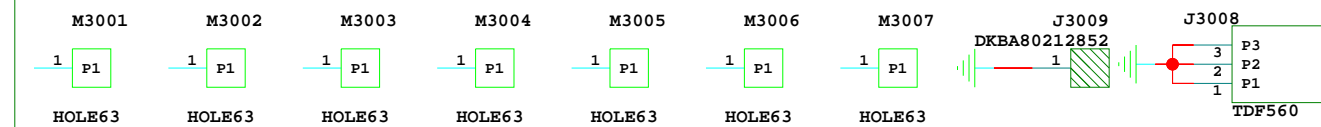
V_BUCK_BOOST



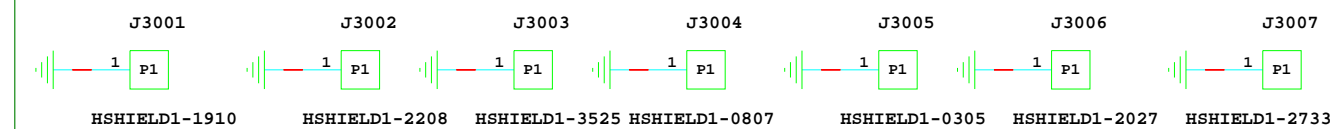
RF



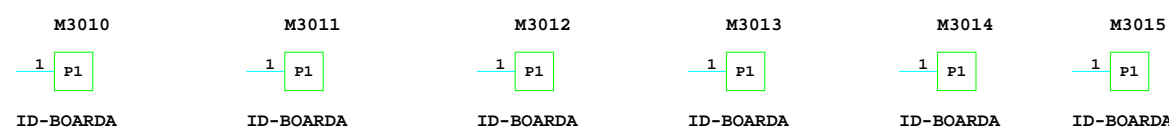
HOLE



SHIELD



Mark Point



The type and specification of the components refer to the BOM

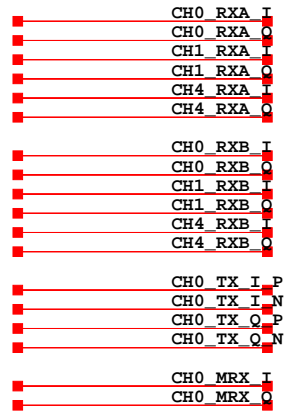
| | | | | | |
|----------|--------|----------|-------------|----------------------|------------|
| | | | | NA | 2017-12-18 |
| | | | | ECA NO | DATE |
| DESIGNED | HUAWEI | HL1CLTMC | | HUAWEI | |
| REVIEWED | HUAWEI | | | | |
| | | VER | PART_NUMBER | SHEET 30 OF 60 | |
| | | A | 03025BSN | HUAWEI TECH CO.,LTD. | |

31.RF Interface

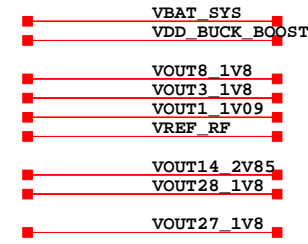


该文档是极速PDF编辑器生成，
如果想去掉该提示，请访问并下载：
<http://www.jisupdfeditor.com/>

RFIC IQ



POWER



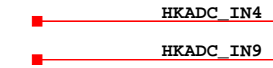
GSM



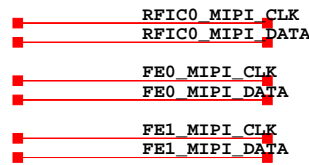
CLK



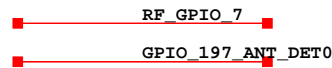
HKADC



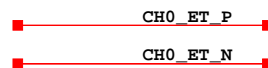
MIPI Interface



GPIO Interface



ET Interface



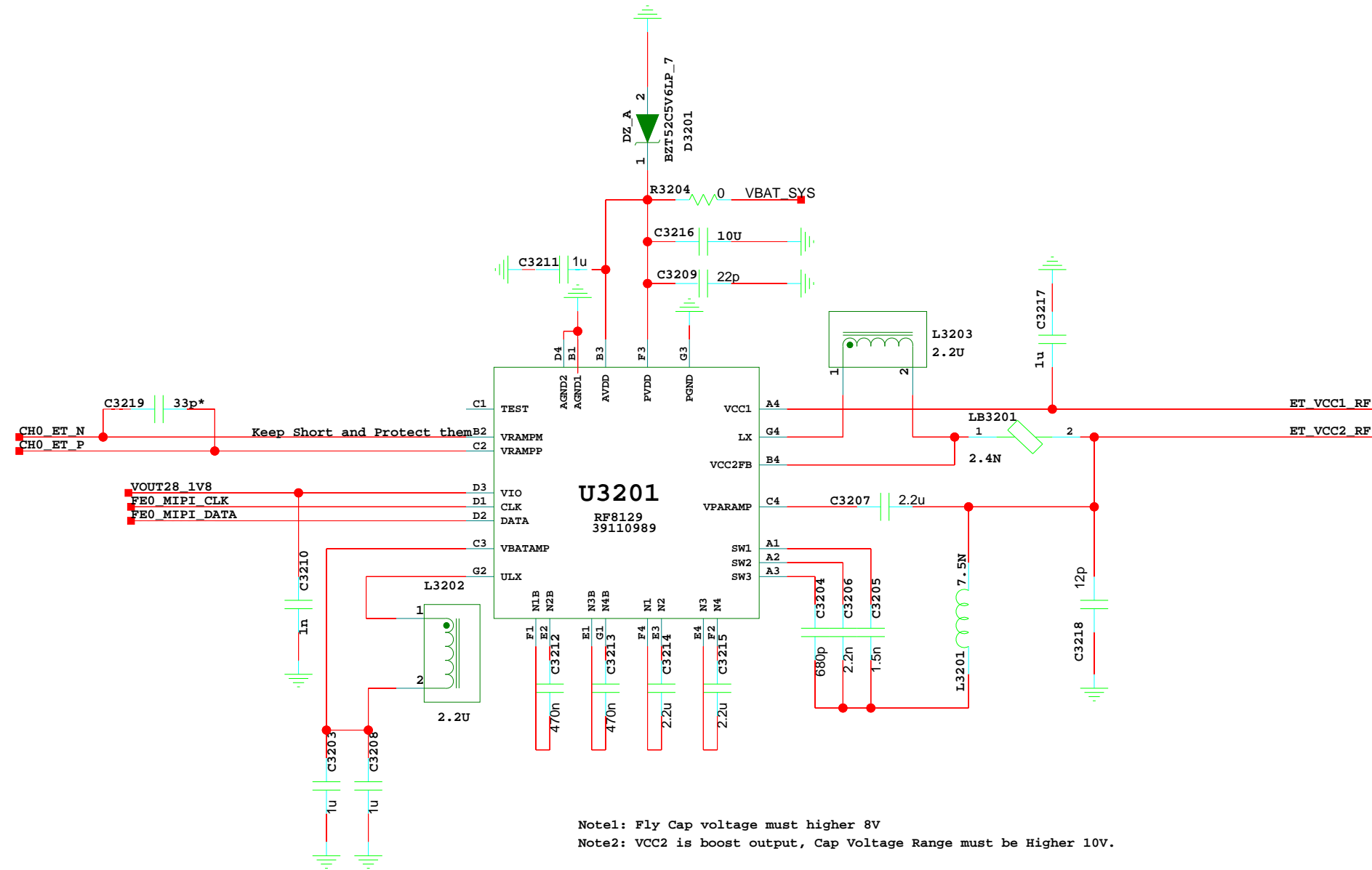
The type and specification of the components refer to the BOM

| | | | | | |
|----------|--------|----------|-------------|----------------------|------------|
| | | | | NA | 2017-12-18 |
| | | | | ECA NO | DATE |
| DESIGNED | HUAWEI | HL1CLTMC | | HUAWEI | |
| REVIEWED | HUAWEI | VER | PART_NUMBER | SHEET 31 OF 60 | |
| | | A | 03025BSN | HUAWEI TECH CO.,LTD. | |

32. RF PMU



该文档是极速PDF编辑器生成，
如果想去掉该提示，请访问并下载：
<http://www.jisupdfeditor.com/>



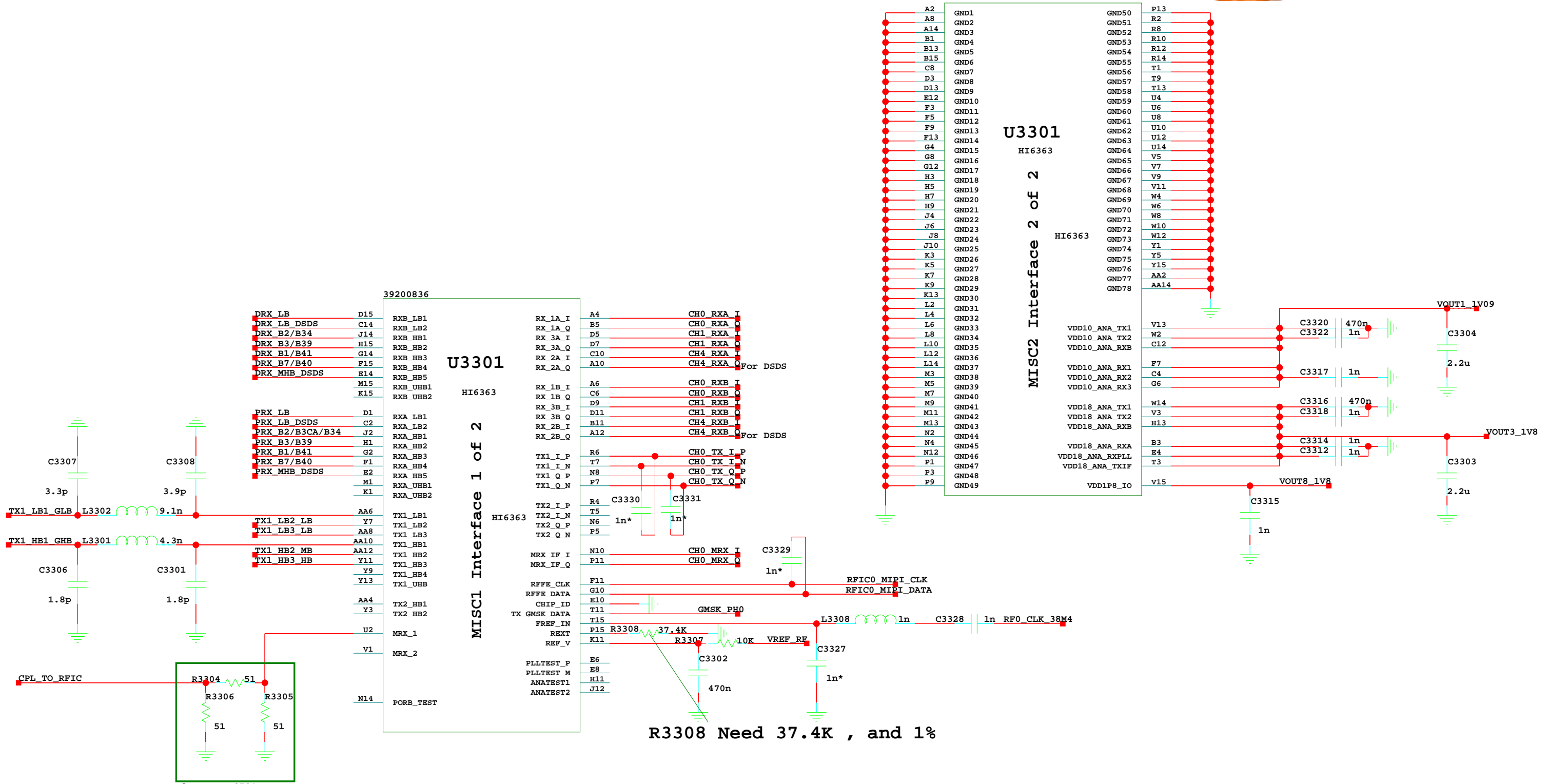
The type and specification of the components refer to the BOM

| | | | | | |
|----------|--------|----------|-------------|----------------------|------------|
| | | | | NA | 2017-12-18 |
| | | | | ECA NO | DATE |
| DESIGNED | HUAWEI | HL1CLTMC | | HUAWEI | |
| REVIEWED | HUAWEI | | | | |
| | | VER | PART_NUMBER | SHEET 32 OF 60 | |
| | | A | 03025BSN | HUAWEI TECH CO.,LTD. | |

33.RF Transceiver_HI6363 _01



该文档是极速PDF编辑器生成，
如果想去掉该提示，请访问并下载：
<http://www.jisupdfeditor.com/>



R3308 Need 37.4K , and 1%

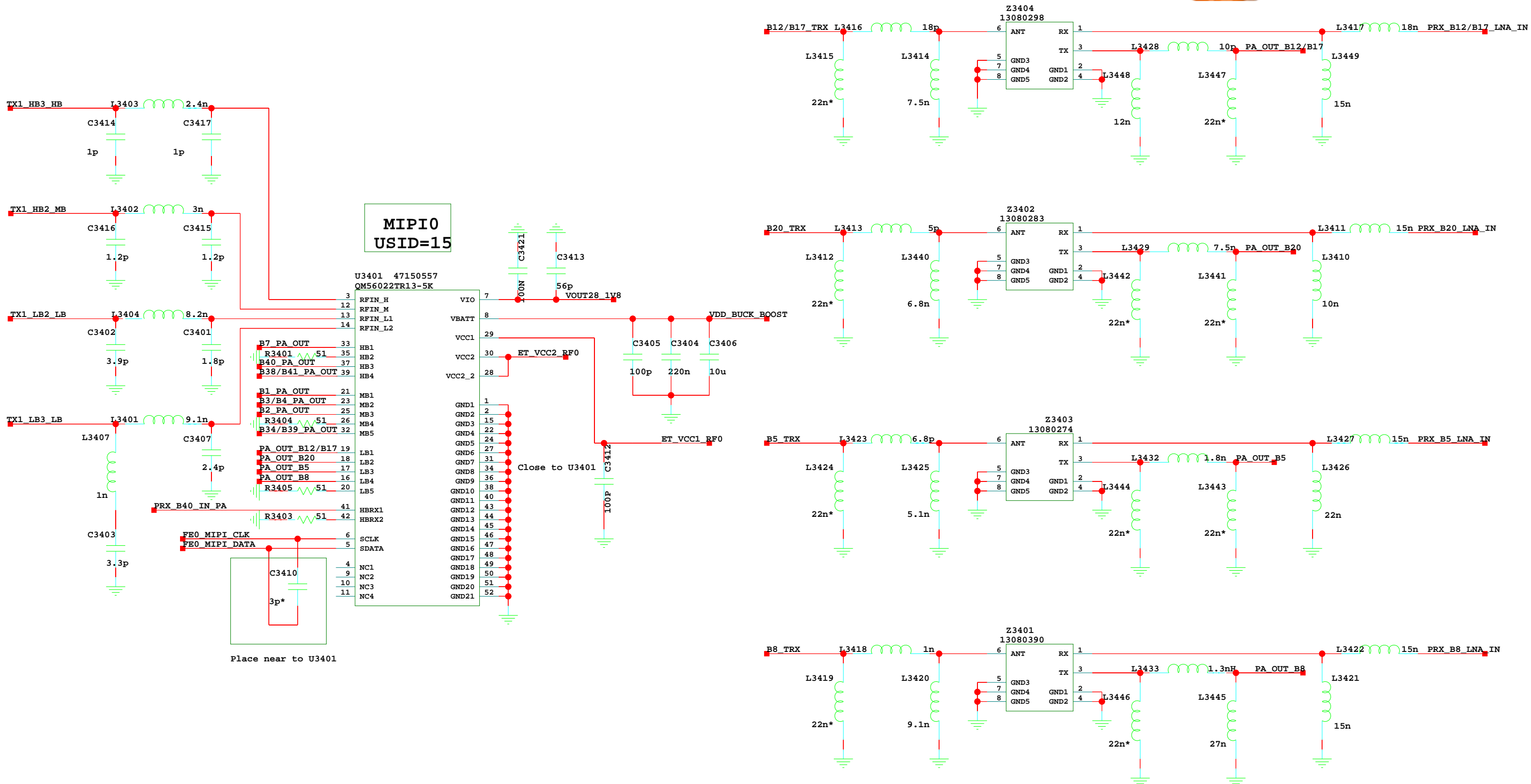
The type and specification of the components refer to the BOM

| | | | | | |
|----------|--------|----------|-------------|----------------------|------------|
| DESIGNED | HUAWEI | HL1CLTMC | | NA | 2017-12-18 |
| REVIEWED | HUAWEI | HUAWEI | | ECA NO | DATE |
| | | VER | PART_NUMBER | SHEET 33 OF 60 | |
| | | A | 03025BSN | HUAWEI TECH CO.,LTD. | |

34.PHASE V PA&TRX



该文档是极速PDF编辑器生成，
如果想去掉该提示，请访问并下载：
<http://www.jsupdfeditor.com/>



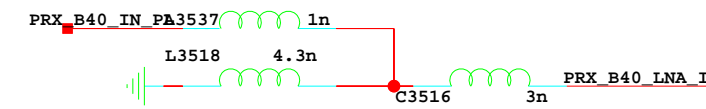
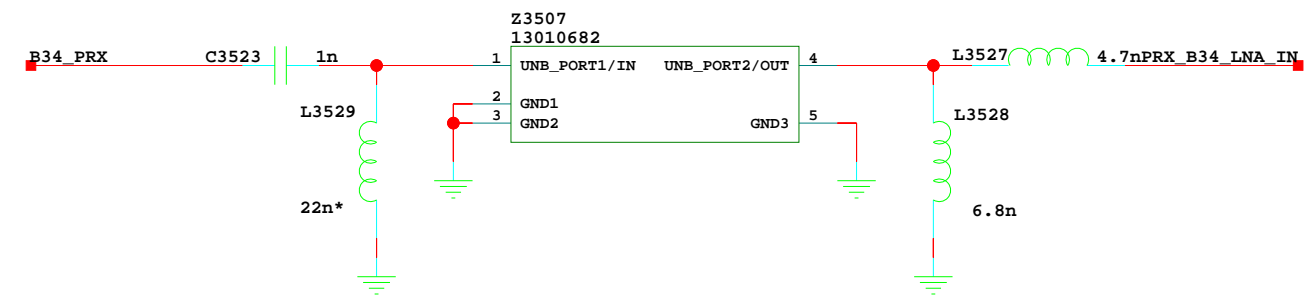
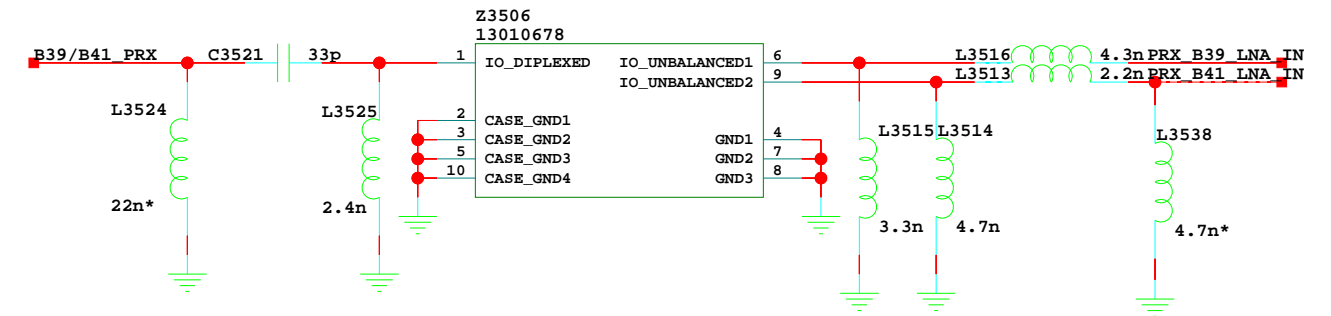
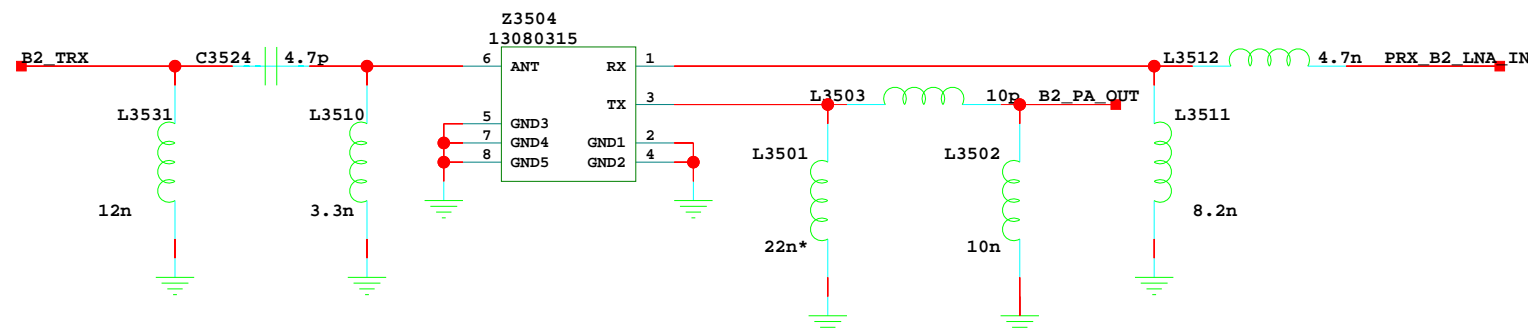
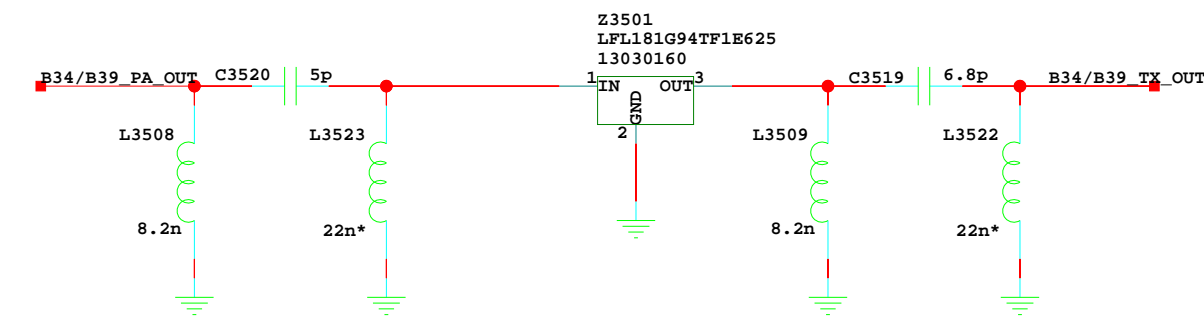
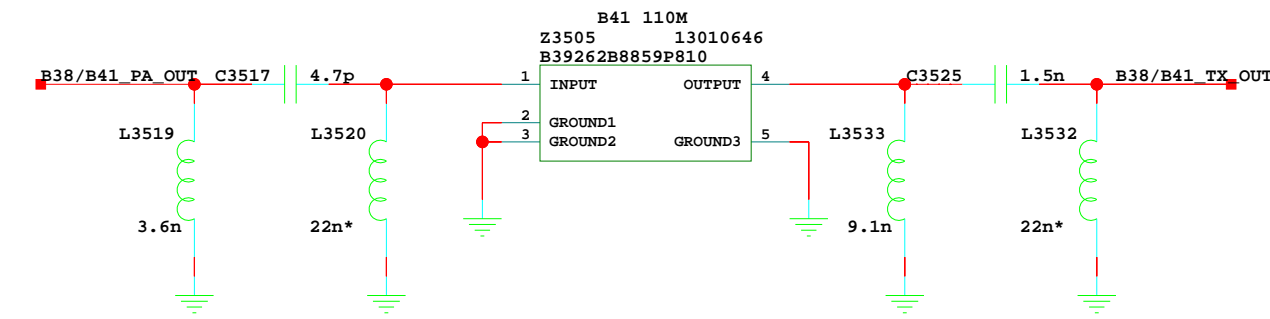
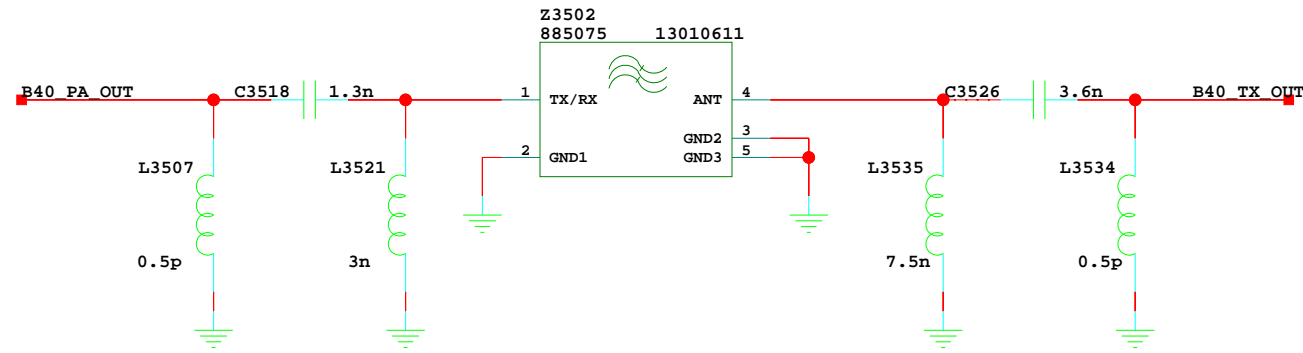
The type and specification of the components refer to the BOM

| | | | | | |
|----------|--------|----------|-------------|----------------------|------------|
| | | | | NA | 2017-12-18 |
| | | | | ECA NO | DATE |
| DESIGNED | HUAWEI | HL1CLTMC | | HUAWEI | |
| REVIEWED | HUAWEI | VER | PART_NUMBER | SHEET 34 OF 60 | |
| | | A | 03025BSN | HUAWEI TECH CO.,LTD. | |

35. TRX

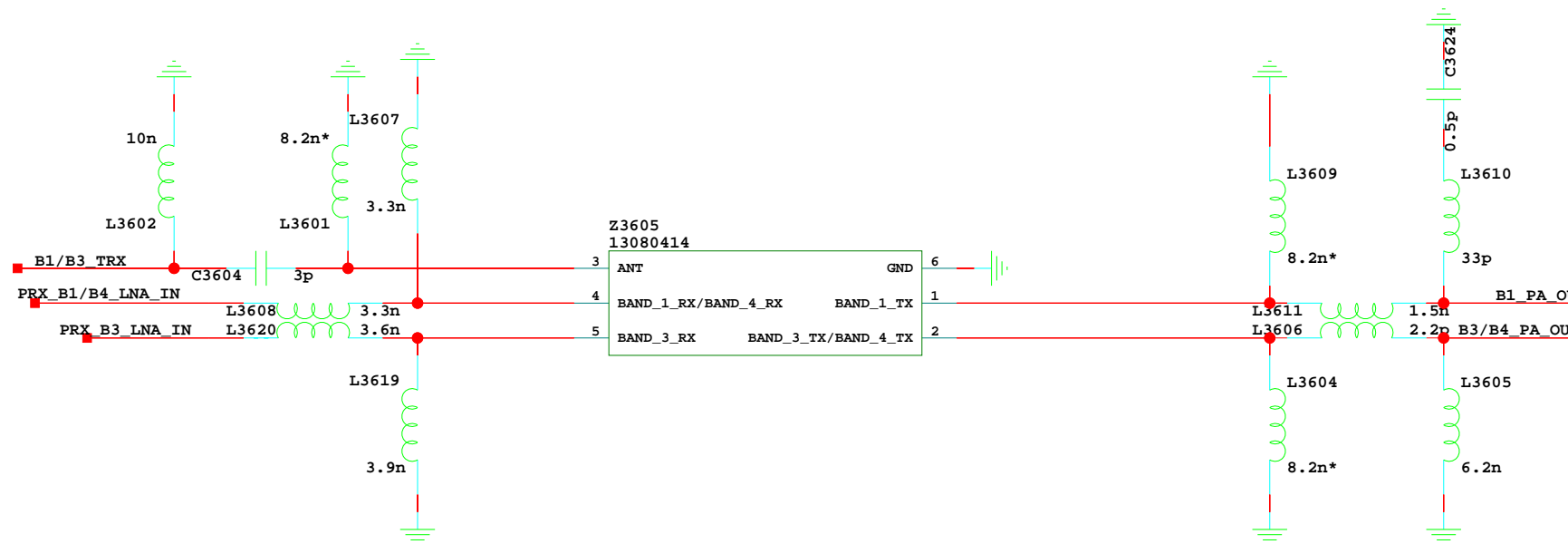
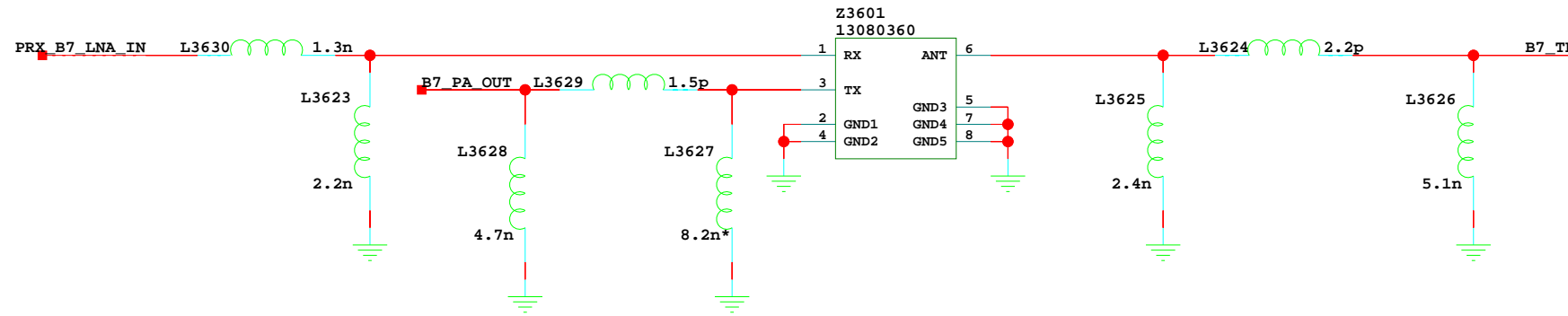


该文档是极速PDF编辑器生成，
如果想去掉该提示，请访问并下载：
<http://www.jisupdfeditor.com/>



The type and specification of the components refer to the BOM

| | | | | | |
|----------|--------|----------|-------------|----------------------|------------|
| | | | | NA | 2017-12-18 |
| | | | | ECA NO | DATE |
| DESIGNED | HUAWEI | HL1CLTMC | | HUAWEI | |
| REVIEWED | HUAWEI | VER | PART_NUMBER | SHEET 35 OF 60 | |
| | | A | 03025BSN | HUAWEI TECH CO.,LTD. | |



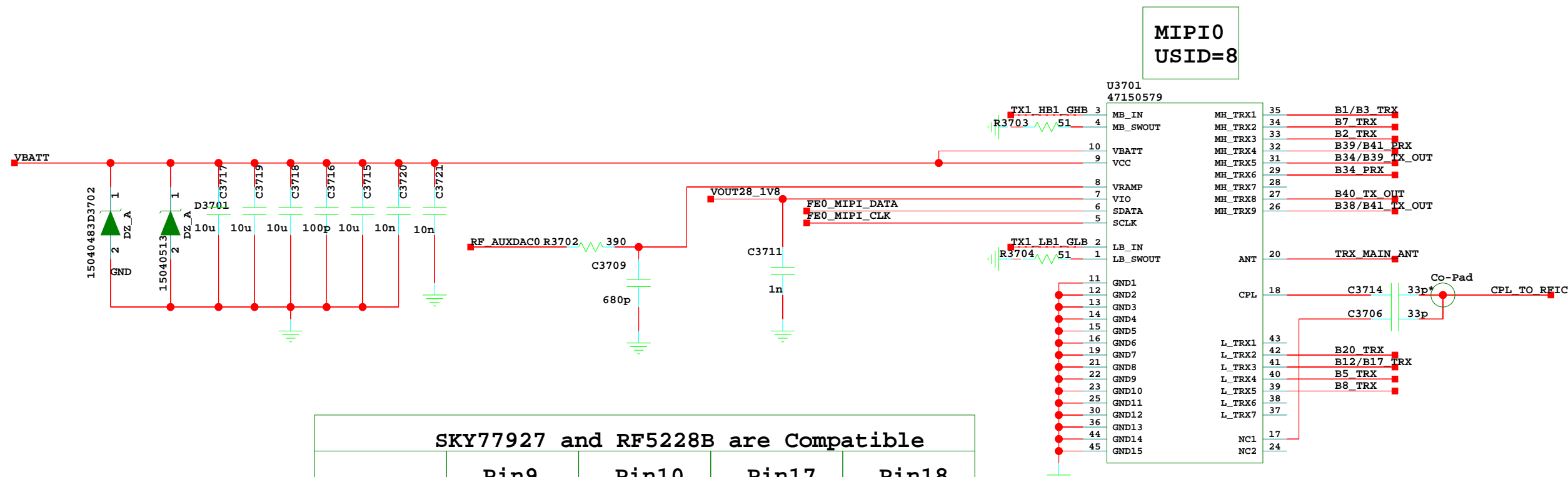
The type and specification of the components refer to the BOM

| | | | | | |
|----------|--------|----------|-------------|----------------------|------------|
| | | | | NA | 2017-12-18 |
| | | | | ECA NO | DATE |
| DESIGNED | HUAWEI | HL1CLTMC | | HUAWEI | |
| REVIEWED | HUAWEI | | | | |
| | | VER | PART_NUMBER | SHEET 36 OF 60 | |
| | | A | 03025BSN | HUAWEI TECH CO.,LTD. | |

37. TXM

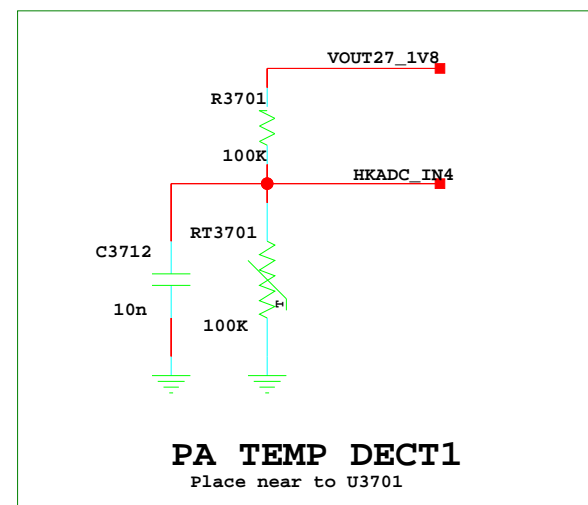
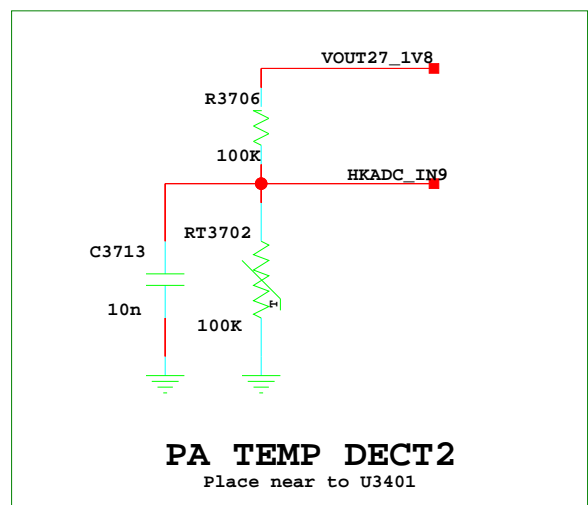


该文档是极速PDF编辑器生成，
如果想去掉该提示，请访问并下载：
<http://www.jisupdfeditor.com/>



SKY77927 and RF5228B are Compatible

| | Pin9 | Pin10 | Pin17 | Pin18 |
|-----------------|------|-------|-------|-------|
| SKY77927 | VSW | VPA | NC | CPL |
| RF5228B | VPA | VSW | CPL | NC |



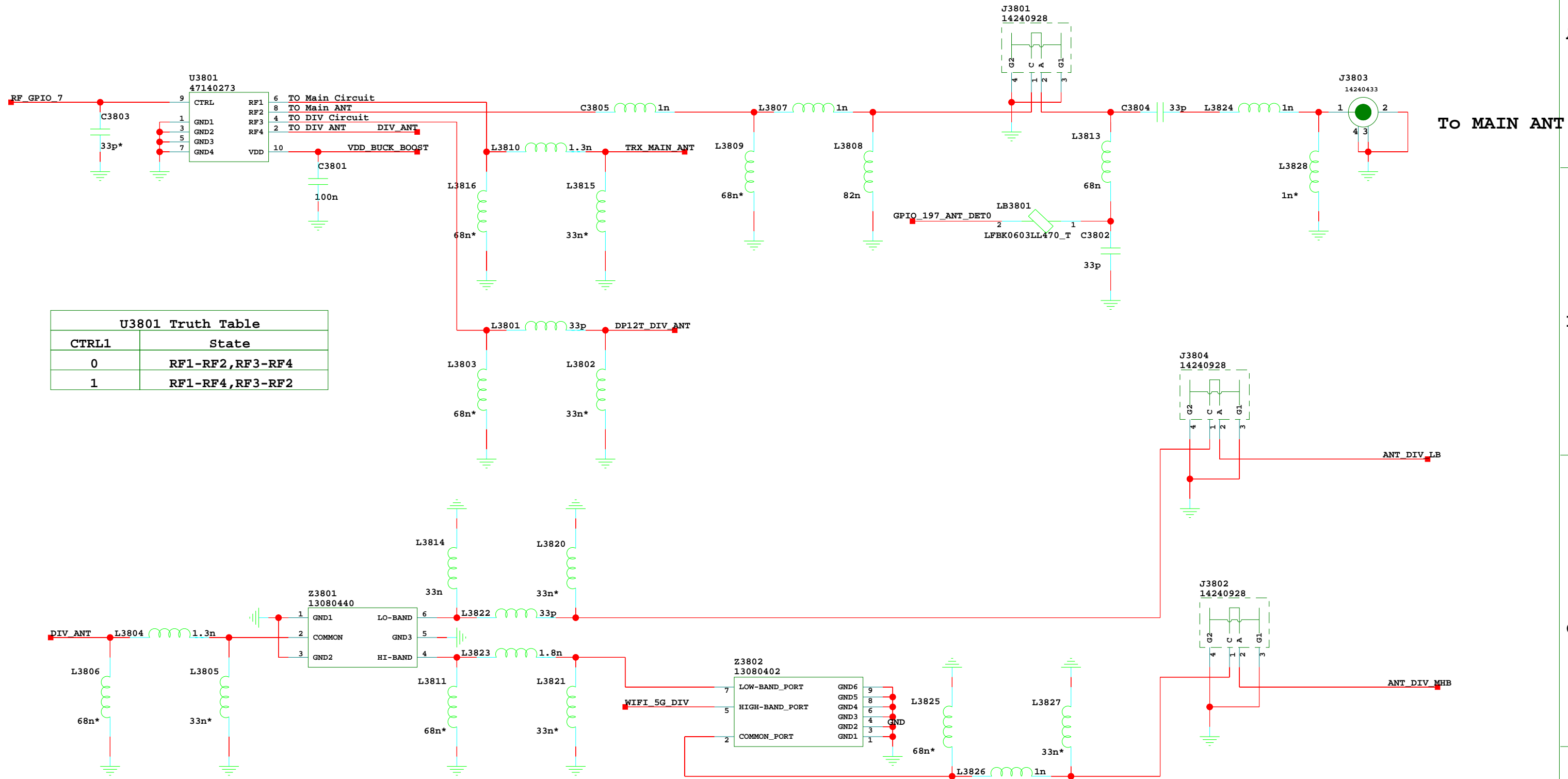
The type and specification of the components refer to the BOM

| | | | | | |
|----------|--------|----------|-------------|----------------------|------------|
| DESIGNED | HUAWEI | HL1CLTMC | | NA | 2017-12-18 |
| REVIEWED | HUAWEI | HL1CLTMC | | ECA NO | DATE |
| | | VER | PART_NUMBER | SHEET 37 OF 60 | |
| | | A | 03025BSN | HUAWEI TECH CO.,LTD. | |

38. RF Front End Switch



该文档是极速PDF编辑器生成，
如果想去掉该提示，请访问并下载：
<http://www.jisupdfeditor.com/>



U3801 Truth Table

| CTRL1 | State |
|-------|------------------|
| 0 | RF1-RF2, RF3-RF4 |
| 1 | RF1-RF4, RF3-RF2 |

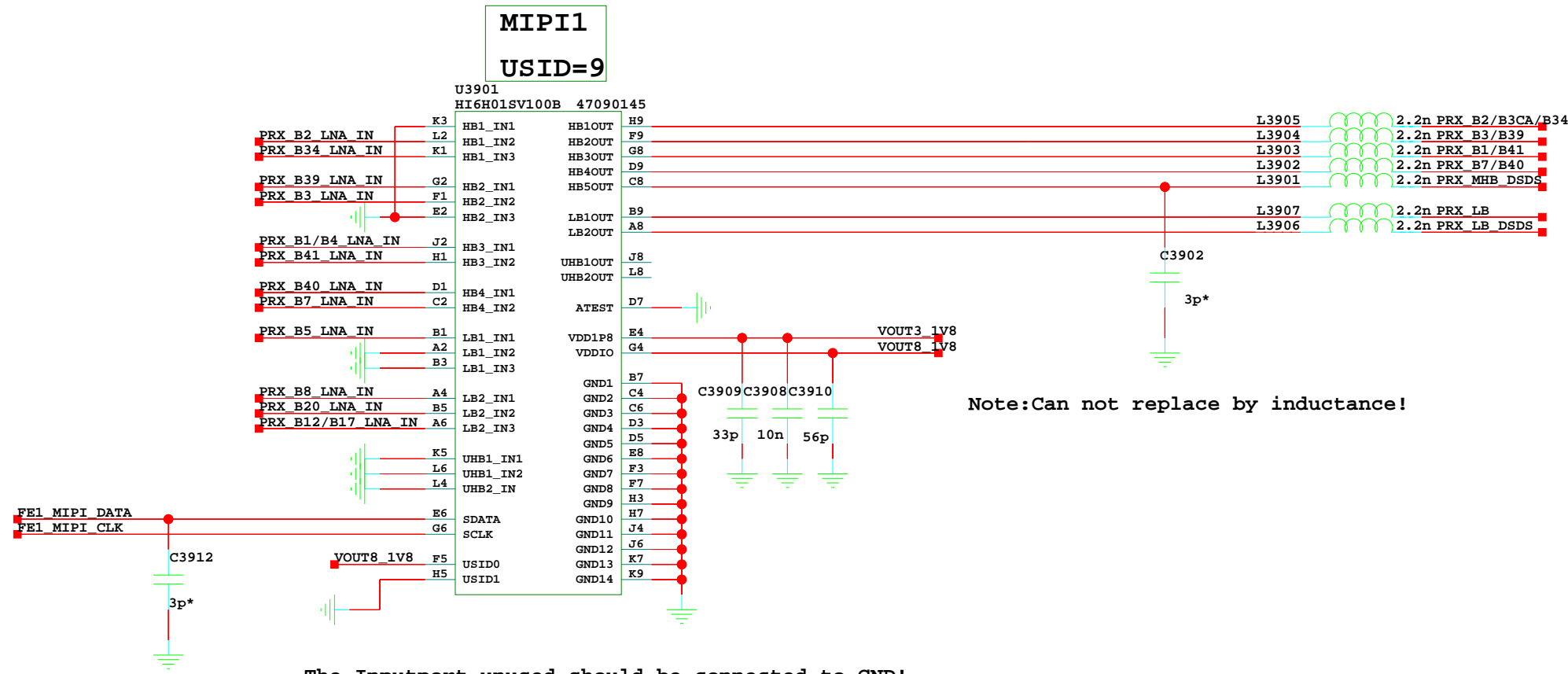
The type and specification of the components refer to the BOM

| | | | | | |
|----------|--------|----------|-------------|----------------------|------------|
| DESIGNED | HUAWEI | HL1CLTMC | | NA | 2017-12-18 |
| REVIEWED | HUAWEI | HL1CLTMC | | ECA NO | DATE |
| | | VER | PART_NUMBER | SHEET 38 OF 60 | |
| | | A | 03025BSN | HUAWEI TECH CO.,LTD. | |

39 LNA Bank Main



该文档是极速PDF编辑器生成，
如果想去掉该提示，请访问并下载：
<http://www.jisupdfeditor.com/>



The Inputport unused should be connected to GND!

Note: Can not replace by inductance!

| 6H01 Frequency Range | |
|-----------------------|--------------|
| LB1_IN1 | 460-895MHz |
| LB1_IN2-3, LB2_IN_1-3 | 703-960MHz |
| HB1_IN1-3 | 1447-2200MHz |
| HB2_IN1-3 | 1805-2200MHz |
| HB3_IN1-2 | 2000-2690MHz |
| HB4_IN1-2 | 2000-2690MHz |
| UHB1_IN1, UHB2 | 3400-3800MHz |
| UHB1_IN2 | 5150-5925MHz |

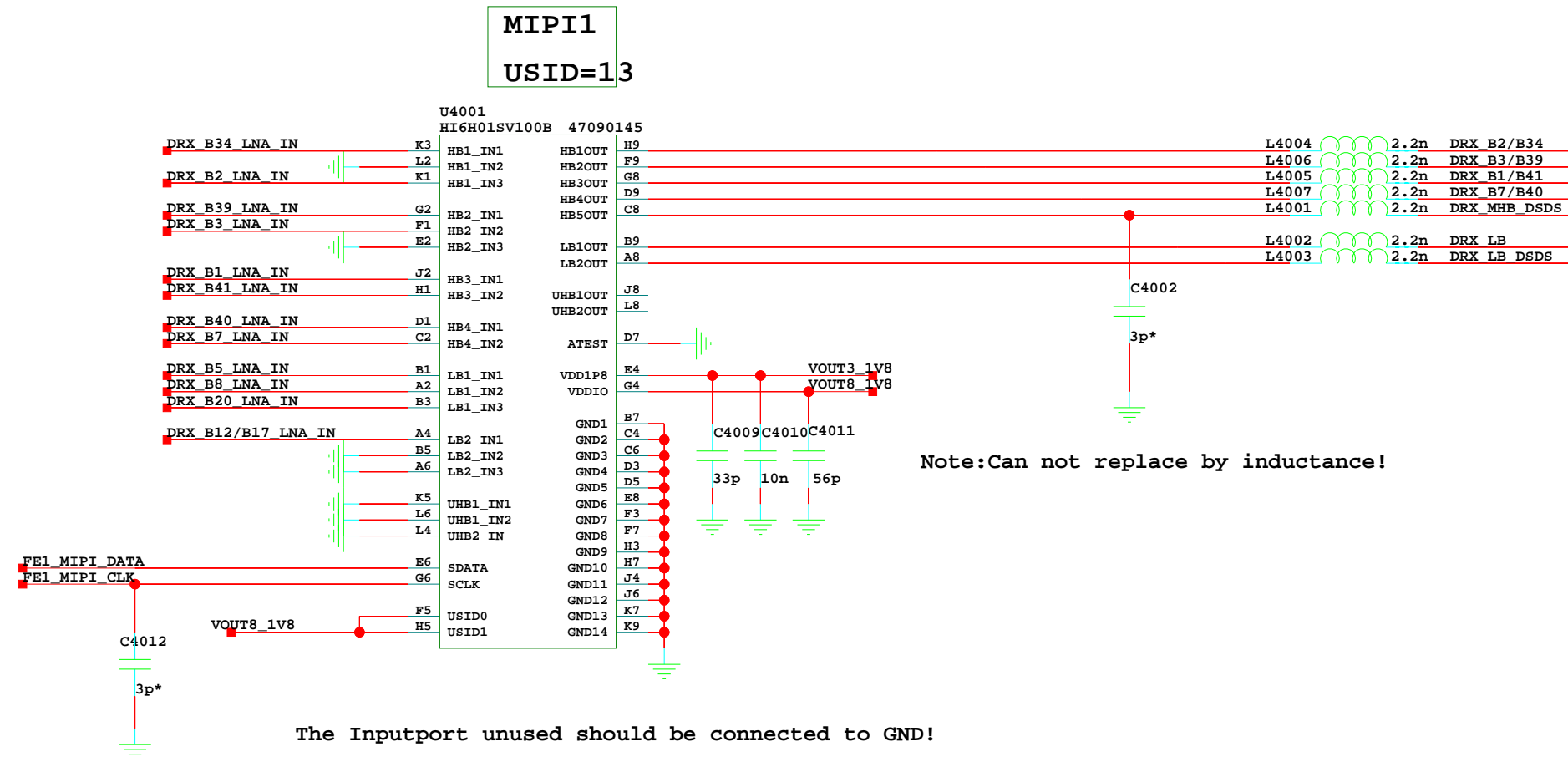
The type and specification of the components refer to the BOM

| | | | | | |
|----------|--------|----------|-------------|----------------------|------------|
| | | | | NA | 2017-12-18 |
| | | | | ECA NO | DATE |
| DESIGNED | HUAWEI | HL1CLTMC | | HUAWEI | |
| REVIEWED | HUAWEI | VER | PART_NUMBER | SHEET 39 OF 60 | |
| | | A | 03025BSN | HUAWEI TECH CO.,LTD. | |

40 Div LNA Bank



该文档是极速PDF编辑器生成，
如果想去掉该提示，请访问并下载：
<http://www.jsupdfeditor.com/>



6H01 Frequency Range

| | |
|-----------------------|--------------|
| LB1_IN1 | 460-895MHz |
| LB1_IN2-3, LB2_IN_1-3 | 703-960MHz |
| HB1_IN1-3 | 1447-2200MHz |
| HB2_IN1-3 | 1805-2200MHz |
| HB3_IN1-2 | 2000-2690MHz |
| HB4_IN1-2 | 2000-2690MHz |
| UHB1_IN1, UHB2 | 3400-3800MHz |
| UHB1_IN2 | 5150-5925MHz |

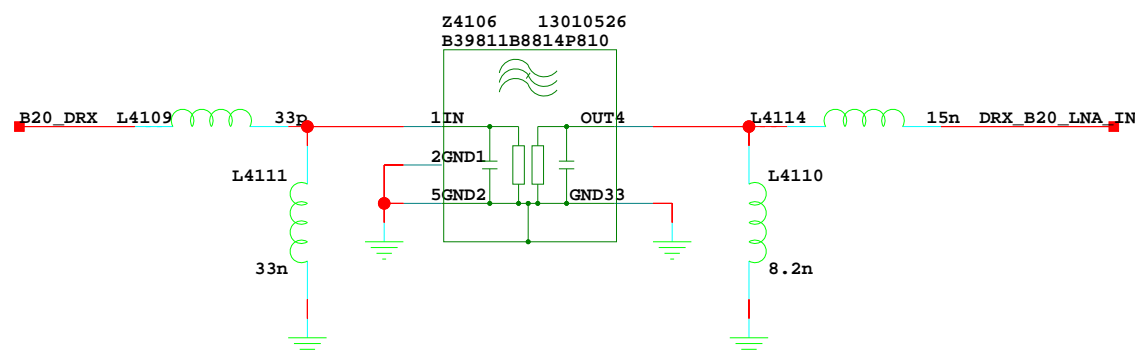
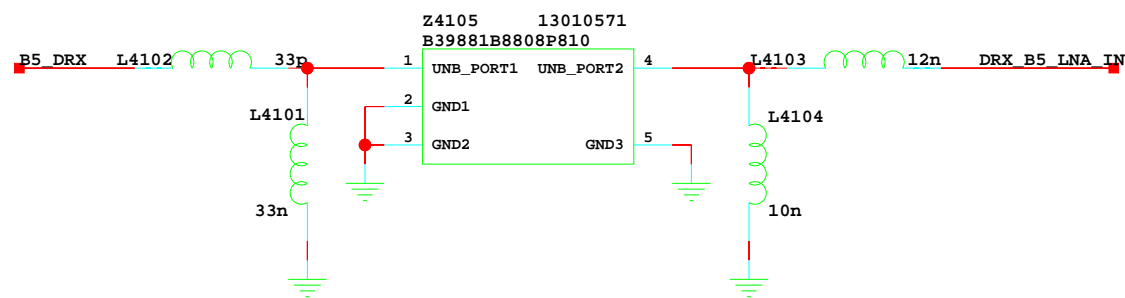
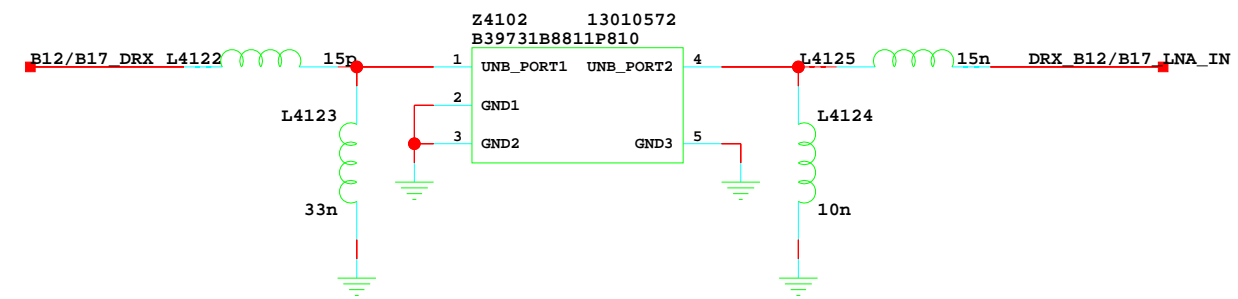
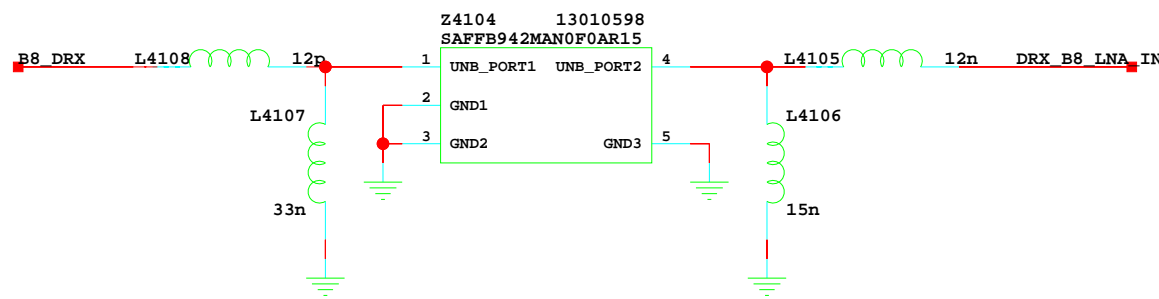
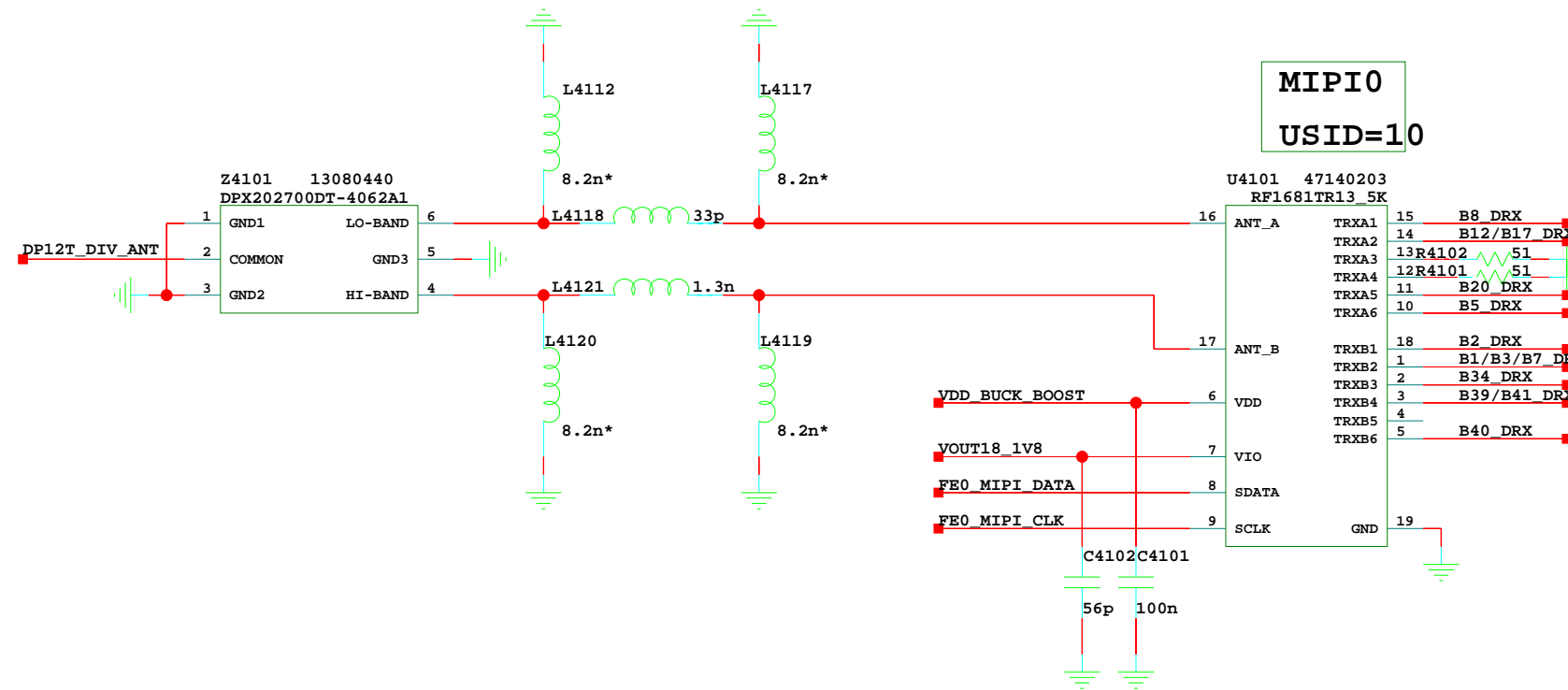
The type and specification of the components refer to the BOM

| | | | | | |
|----------|--------|----------|-------------|----------------------|------------|
| | | | | NA | 2017-12-18 |
| | | | | ECA NO | DATE |
| DESIGNED | HUAWEI | HL1CLTMC | | HUAWEI | |
| REVIEWED | HUAWEI | VER | PART_NUMBER | SHEET 40 OF 60 | |
| | | A | 03025BSN | HUAWEI TECH CO.,LTD. | |

41 DRX LB



该文档是极速PDF编辑器生成，
如果想去掉该提示，请访问并下载：
<http://www.jisupdfeditor.com/>



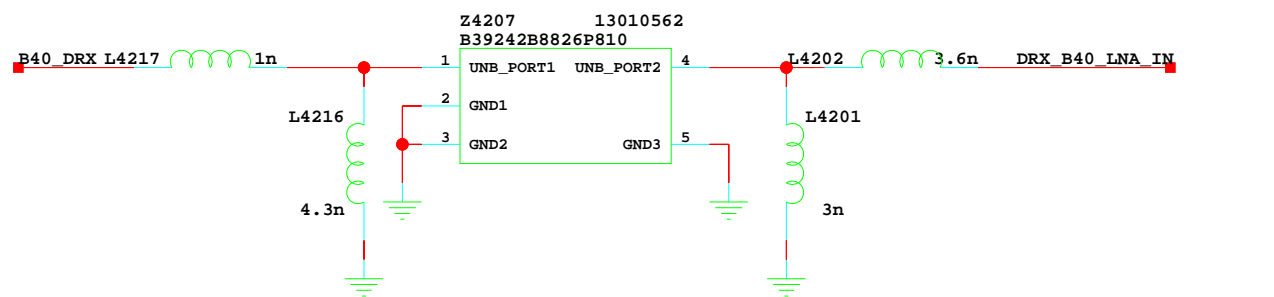
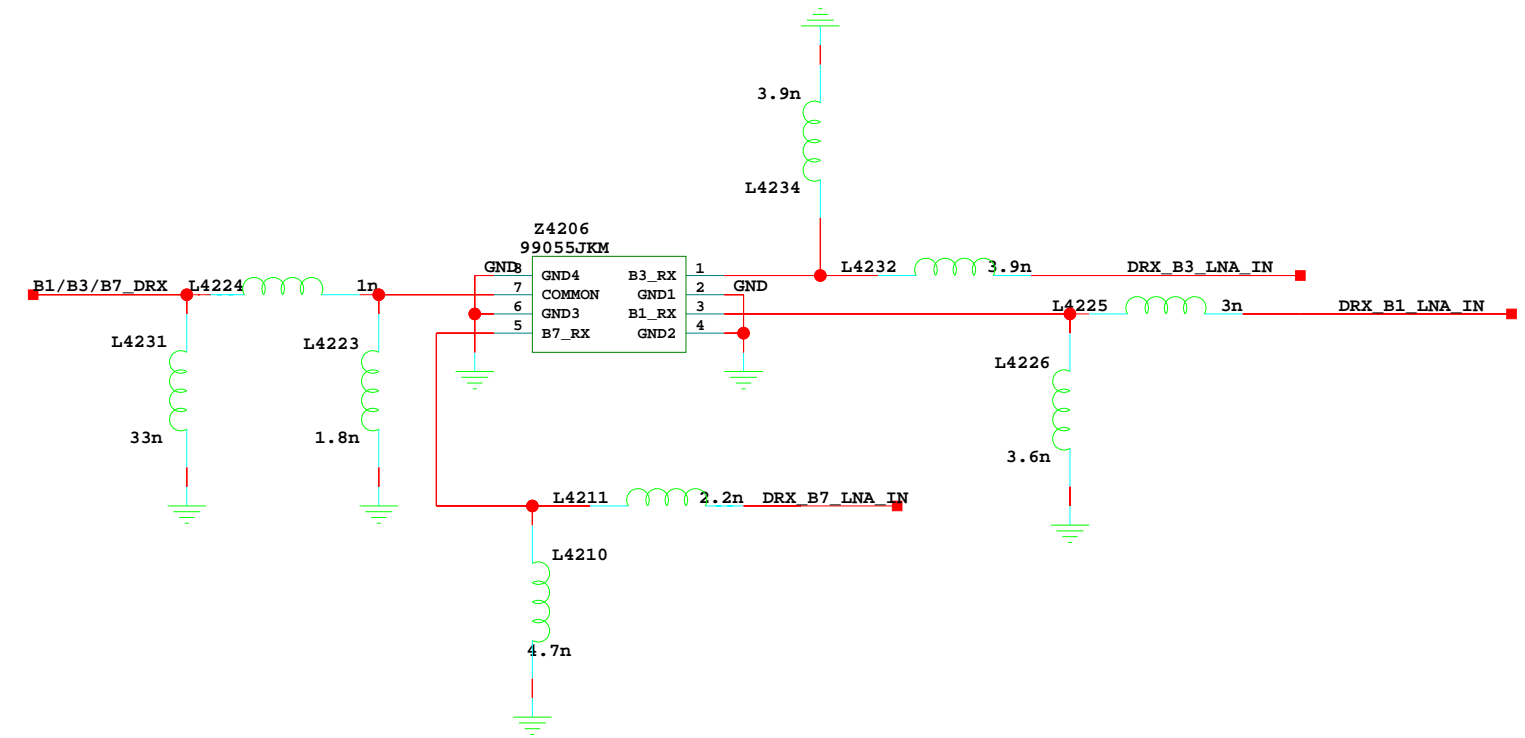
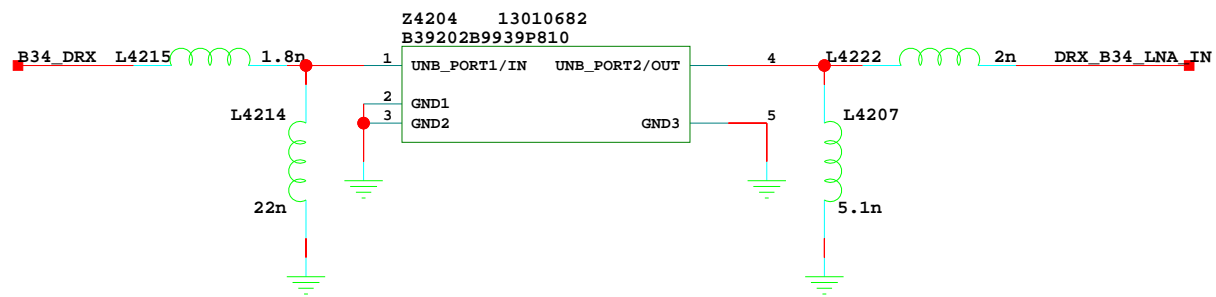
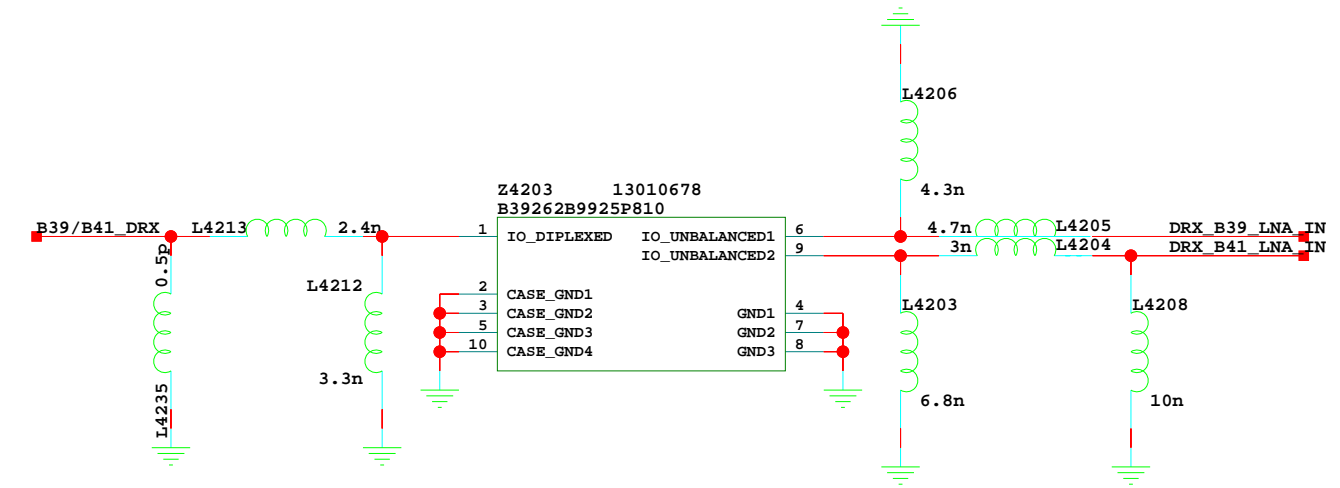
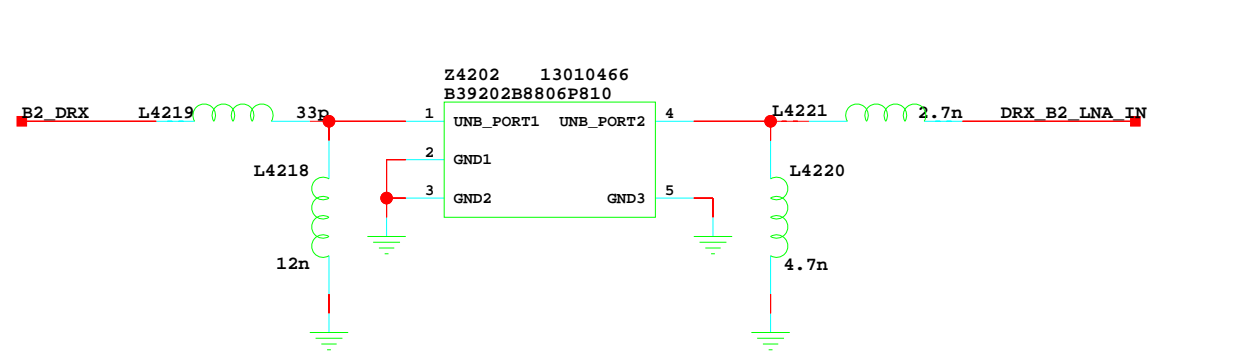
The type and specification of the components refer to the BOM

| | | | | | |
|----------|--------|----------|-------------|----------------------|------------|
| | | | | NA | 2017-12-18 |
| | | | | ECA NO | DATE |
| DESIGNED | HUAWEI | HL1CLTMC | | HUAWEI | |
| REVIEWED | HUAWEI | | | | |
| | | VER | PART_NUMBER | SHEET 41 OF 60 | |
| | | A | 03025BSN | HUAWEI TECH CO.,LTD. | |

42 DRX MHB



该文档是极速PDF编辑器生成，
如果想去掉该提示，请访问并下载：
<http://www.jisupdfeditor.com/>



The type and specification of the components refer to the BOM

| | | | | | |
|----------|--------|----------|-------------|----------------------|------------|
| | | | | NA | 2017-12-18 |
| | | | | ECA NO | DATE |
| DESIGNED | HUAWEI | HL1CLTMC | | HUAWEI | |
| REVIEWED | HUAWEI | | | | |
| | | VER | PART_NUMBER | SHEET | 42 OF 60 |
| | | A | 03025BSN | HUAWEI TECH CO.,LTD. | |

43.B3/B7 MIMO



该文档是极速PDF编辑器生成，
如果想去掉该提示，请访问并下载：
<http://www.jisupdfeditor.com/>

A

A

B

B

C

C

D

D

The type and specification of the components refer to the BOM

| | | | | | |
|----------|--------|--|----------|-------------|----------------------|
| | | | | | |
| | | | | NA | 2017-12-18 |
| | | | | ECA NO | DATE |
| DESIGNED | HUAWEI | | | HUAWEI | |
| | | | HL1CLTMC | | |
| REVIEWED | HUAWEI | | | HUAWEI | |
| | | | VER | PART_NUMBER | SHEET 43 OF 60 |
| | | | A | 03025BSN | HUAWEI TECH CO.,LTD. |

44. B42/B46



该文档是极速PDF编辑器生成，
如果想去掉该提示，请访问并下载：
<http://www.jisupdfeditor.com/>

A

A

B

B

C

C

D

D

The type and specification of the components refer to the BOM

| | | | | | |
|----------|--------|----------|-------------|----------------------|------------|
| | | | | | |
| | | | | NA | 2017-12-18 |
| | | | | ECA NO | DATE |
| DESIGNED | HUAWEI | HL1CLTMC | | HUAWEI | |
| REVIEWED | HUAWEI | | | | |
| | | VER | PART_NUMBER | SHEET 44 OF 60 | |
| | | A | 03025BSN | HUAWEI TECH CO.,LTD. | |

45.RF Transceiver_HI6363 _01



该文档是极速PDF编辑器生成，
如果想去掉该提示，请访问并下载：
<http://www.jisupdfeditor.com/>

A

A

B

B

C

C

D

D

The type and specification of the components refer to the BOM

| | | | | | |
|----------|--------|----------|-------------|----------------------|------------|
| | | | | NA | 2017-12-18 |
| | | | | ECA NO | DATE |
| DESIGNED | HUAWEI | HL1CLTMC | | HUAWEI | |
| REVIEWED | HUAWEI | | | | |
| | | VER | PART_NUMBER | SHEET 45 OF 60 | |
| | | A | 03025BSN | HUAWEI TECH CO.,LTD. | |

47. Reserved for CDMA Modem



该文档是极速PDF编辑器生成，
如果想去掉该提示，请访问并下载：
<http://www.jisupdfeditor.com/>

A

A

B

B

C

C

D

D

The type and specification of the components refer to the BOM

| | | | | | |
|----------|--------|-----|-------------|----------------------|------------|
| | | | | | |
| | | | | NA | 2017-12-18 |
| | | | | ECA NO | DATE |
| DESIGNED | HUAWEI | | | HUAWEI | |
| | | | HL1CLTMC | | |
| REVIEWED | HUAWEI | | | | |
| | | VER | PART_NUMBER | SHEET 46 OF 60 | |
| | | A | 03025BSN | HUAWEI TECH CO.,LTD. | |

46. Reserved for CDMA Modem



该文档是极速PDF编辑器生成，
如果想去掉该提示，请访问并下载：
<http://www.jisupdfeditor.com/>

A

A

B

B

C

C

D

D

The type and specification of the components refer to the BOM

| | | | | | |
|----------|--------|-----|-------------|----------------------|------------|
| | | | | | |
| | | | | NA | 2017-12-18 |
| | | | | ECA NO | DATE |
| DESIGNED | HUAWEI | | | HUAWEI | |
| | | | HL1CLTMC | | |
| REVIEWED | HUAWEI | | | | |
| | | VER | PART_NUMBER | SHEET 47 OF 60 | |
| | | A | 03025BSN | HUAWEI TECH CO.,LTD. | |

48. Reserved



该文档是极速PDF编辑器生成，
如果想去掉该提示，请访问并下载：
<http://www.jisupdfeditor.com/>

A
B
C
D

A
B
C
D

The type and specification of the components refer to the BOM

| | | | | | |
|----------|--------|-----|-------------|----------------------|------------|
| | | | | | |
| | | | | NA | 2017-12-18 |
| | | | | ECA NO | DATE |
| DESIGNED | HUAWEI | | | HUAWEI | |
| | | | HL1CLTMC | HUAWEI | |
| REVIEWED | HUAWEI | | | HUAWEI | |
| | | VER | PART_NUMBER | SHEET 48 OF 60 | |
| | | A | 03025BSN | HUAWEI TECH CO.,LTD. | |

49. Reserved



该文档是极速PDF编辑器生成，
如果想去掉该提示，请访问并下载：
<http://www.jisupdfeditor.com/>

A

A

B

B

C

C

D

D

The type and specification of the components refer to the BOM

| | | | | | |
|----------|--------|--|----------|-------------|----------------------|
| | | | | | |
| | | | | NA | 2017-12-18 |
| | | | | ECA NO | DATE |
| DESIGNED | HUAWEI | | | HUAWEI | |
| | | | HL1CLTMC | HUAWEI | |
| REVIEWED | HUAWEI | | | HUAWEI | |
| | | | VER | PART_NUMBER | SHEET 49 OF 60 |
| | | | A | 03025BSN | HUAWEI TECH CO.,LTD. |

50. Reserved



该文档是极速PDF编辑器生成，
如果想去掉该提示，请访问并下载：
<http://www.jisupdfeditor.com/>

A

A

B

B

C

C

D

D

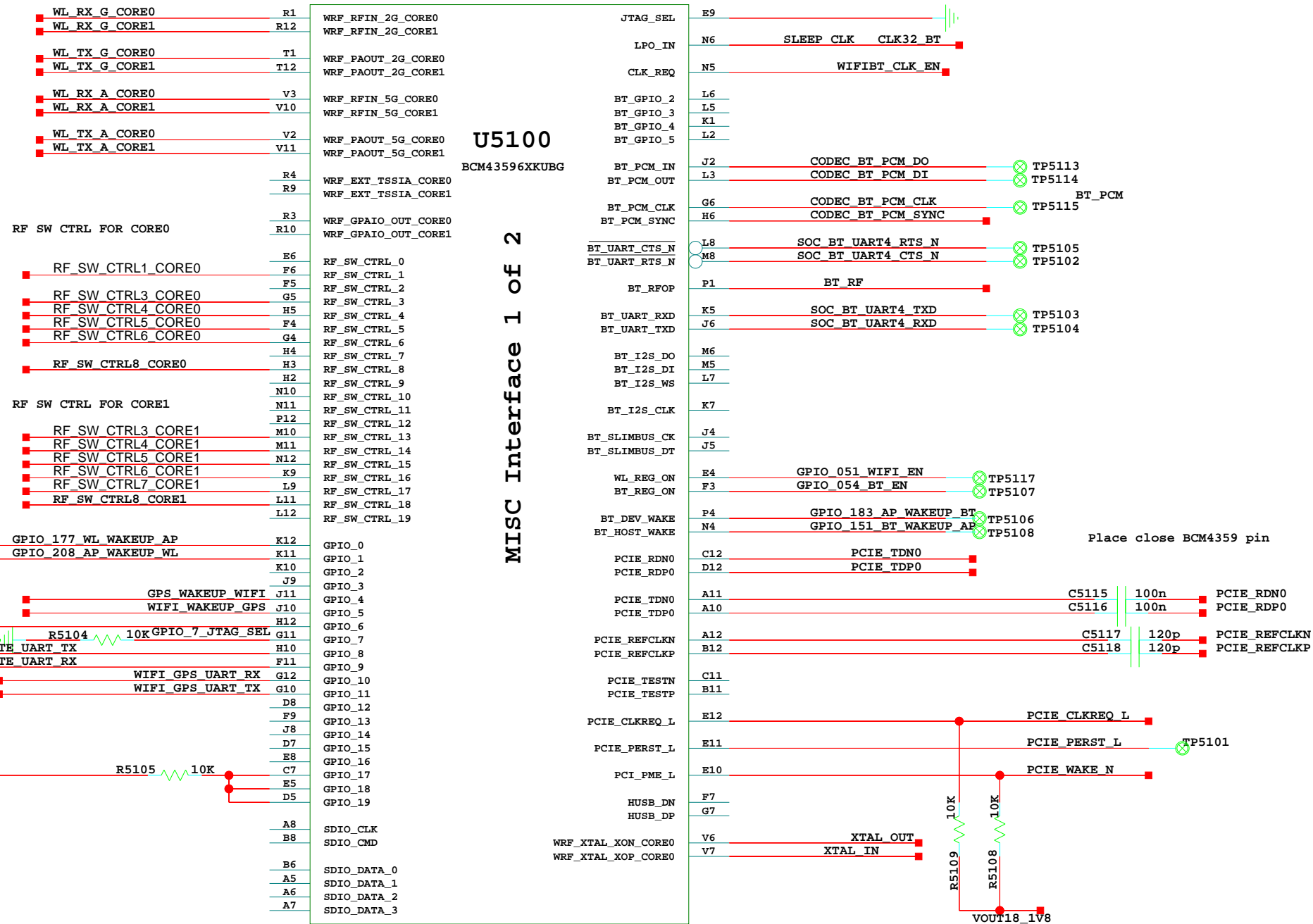
The type and specification of the components refer to the BOM

| | | | | | |
|----------|--------|----------|-------------|----------------------|------------|
| | | | | NA | 2017-12-18 |
| | | | | ECA NO | DATE |
| DESIGNED | HUAWEI | HL1CLTMC | | HUAWEI | |
| REVIEWED | HUAWEI | | | | |
| | | VER | PART_NUMBER | SHEET 50 OF 60 | |
| | | A | 03025BSN | HUAWEI TECH CO.,LTD. | |

51 BCM4359 BB



该文档是极速PDF编辑器生成，
如果想去掉该提示，请访问并下载：
<http://www.jisupdfeditor.com/>



GPIO 8, 9, 10, & 11 are
1) 2-wire Debug UART
2) 4-wire Fast UART interface
3) 3-wire legacy LTE
4) LTE Coex for WCI-2

GPIO_6 & 7 are Misc
GPIO_2 to 5 are Sensor Hub

Place close BCM4359 pin

| GPIO | Function | 1 | 0 |
|--------|------------------------|---------|---------|
| GPIO17 | SDIO level select 1.8V | | 3.3V |
| GPIO18 | SDIO interface | disable | enable |
| GPIO19 | PCIE interface | enable | disable |

The type and specification of the components refer to the BOM

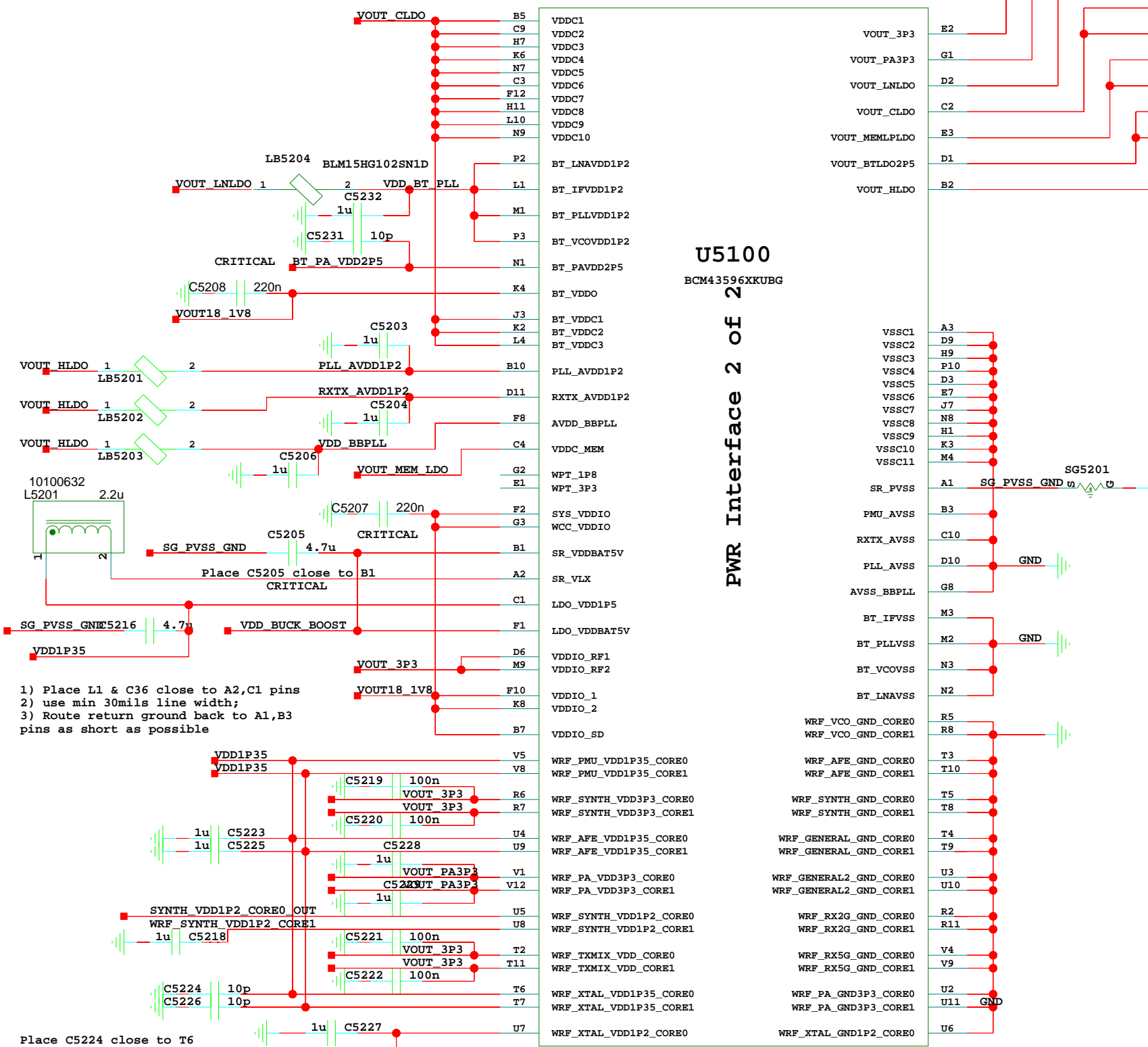
| | | | |
|----------|--------|----------|----------------------|
| DESIGNED | HUAWEI | HL1CLTMC | HUAWEI |
| REVIEWED | HUAWEI | | |
| | | VER | PART_NUMBER |
| | | A | 03025BSN |
| | | | SHEET 51 OF 60 |
| | | | HUAWEI TECH CO.,LTD. |
| | | | NA |
| | | | 2017-12-18 |
| | | | ECA NO |
| | | | DATE |

52 BCM4359 PWR



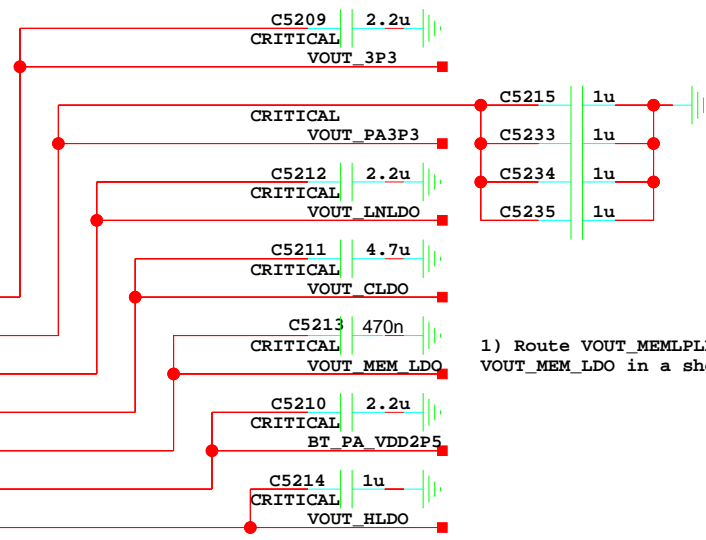
该文档是极速PDF编辑器生成，
如果想去掉该提示，请访问并下载：
<http://www.jisupdfeditor.com/>

- 1) Place VOUT_3P3, VOUT_BTLDO2P5, VOUT_CLDO, VOUT_LNLDO output decaps close to chip
- 2) Ensure good ground return connection to system ground



U5100
BCM43596XKUBG

PWR Interface 2 of 2



- 1) Route VOUT_MEM_LDO to VOUT_MEM_LDO in a short track

- 1) Place L1 & C36 close to A2,C1 pins
- 2) use min 30mils line width;
- 3) Route return ground back to A1,B3 pins as short as possible

- Place C5224 close to T6
Place C5226 close to T7
Use star connection for WRF_XTAL_VDD1P35,
WRF_PMU_VDD1P35, & WRF_AFE_VDD1P35
Star connection for SYNTH_VDD

Note For Layout:
1) Please place separate capacitors and star connections between Core0 and Core1 for WRF_SYNTH_VDD3P3, WRF_TXMIX_VDD, WRF_AFE_VDD1P35, WRF_XTAL_VDD1P35, and WRF_PMU_VDD1P35
2) Please place all decoupling caps close to chip

The type and specification of the components refer to the BOM

| | | | | | |
|----------|--------|----------|-------------|----------------------|------------|
| | | | | NA | 2017-12-18 |
| | | | | ECA NO | DATE |
| DESIGNED | HUAWEI | HL1CLTMC | | HUAWEI | |
| REVIEWED | HUAWEI | | | | |
| | | VER | PART_NUMBER | SHEET 52 OF 60 | |
| | | A | 03025BSN | HUAWEI TECH CO.,LTD. | |

53. Reserved



该文档是极速PDF编辑器生成，
如果想去掉该提示，请访问并下载：
<http://www.jisupdfeditor.com/>

A

A

B

B

C

C

D

D

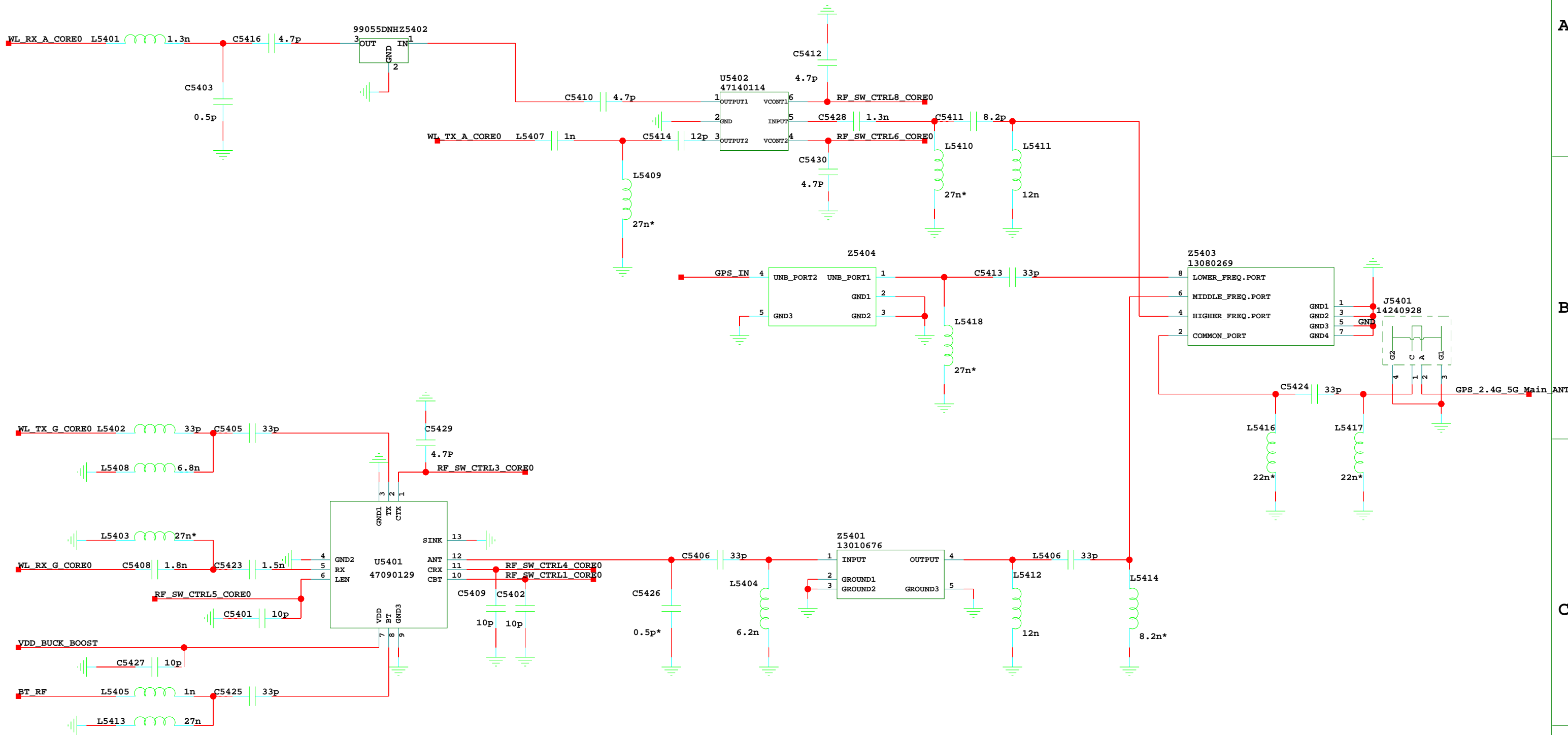
The type and specification of the components refer to the BOM

| | | | | | |
|----------|--------|--|----------|-------------|----------------------|
| | | | | | |
| | | | | NA | 2017-12-18 |
| | | | | ECA NO | DATE |
| DESIGNED | HUAWEI | | | HUAWEI | |
| | | | HL1CLTMC | | |
| REVIEWED | HUAWEI | | | HUAWEI | |
| | | | VER | PART_NUMBER | SHEET 53 OF 60 |
| | | | A | 03025BSN | HUAWEI TECH CO.,LTD. |

54. WIFI RF0



该文档是极速PDF编辑器生成，
如果想去掉该提示，请访问并下载：
<http://www.jisupdfeditor.com/>



| U5401 Control Logic | | | | |
|---------------------|-----|-----|-----|-----|
| Mode | CBT | CTX | LEN | CRX |
| ALL OFF | 0 | 0 | 0 | 0 |
| WLAN receive LNA | 0 | 0 | 1 | 1 |
| WLAN receive bypass | 0 | 0 | 0 | 1 |
| Bluetooth | 1 | 0 | 0 | 0 |
| WLAN transmit | 0 | 1 | 0 | 0 |

| U5402 Truth Table | | |
|-------------------|----|----|
| State | V1 | V2 |
| RFC to RF1-Rx | 1 | 0 |
| RFC to RF2-Tx | 0 | 1 |

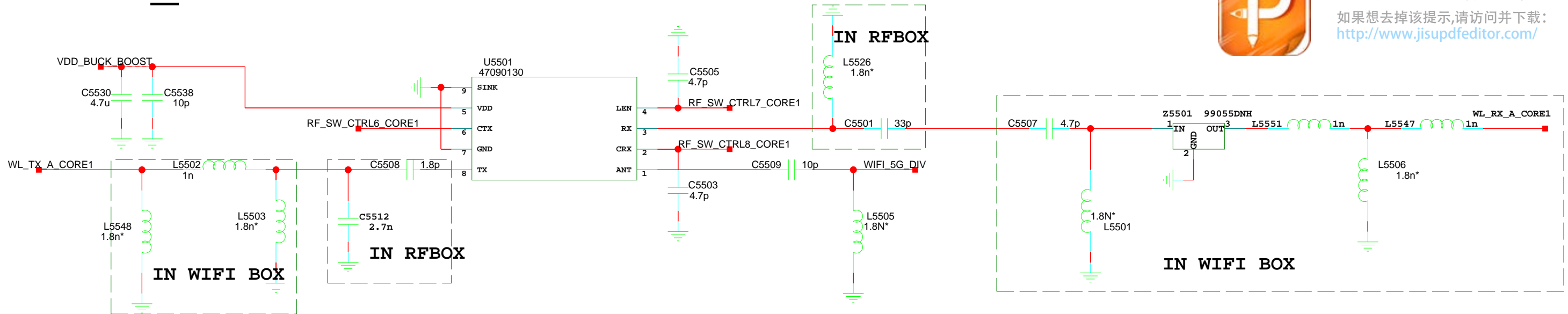
The type and specification of the components refer to the BOM

| | | | | |
|----------|--------|----------|-------------|----------------------|
| DESIGNED | HUAWEI | HL1CLTMC | NA | 2017-12-18 |
| REVIEWED | HUAWEI | | ECA NO | DATE |
| | | VER | PART_NUMBER | SHEET 54 OF 60 |
| | | A | 03025BSN | HUAWEI TECH CO.,LTD. |

55.WIFI_RF1

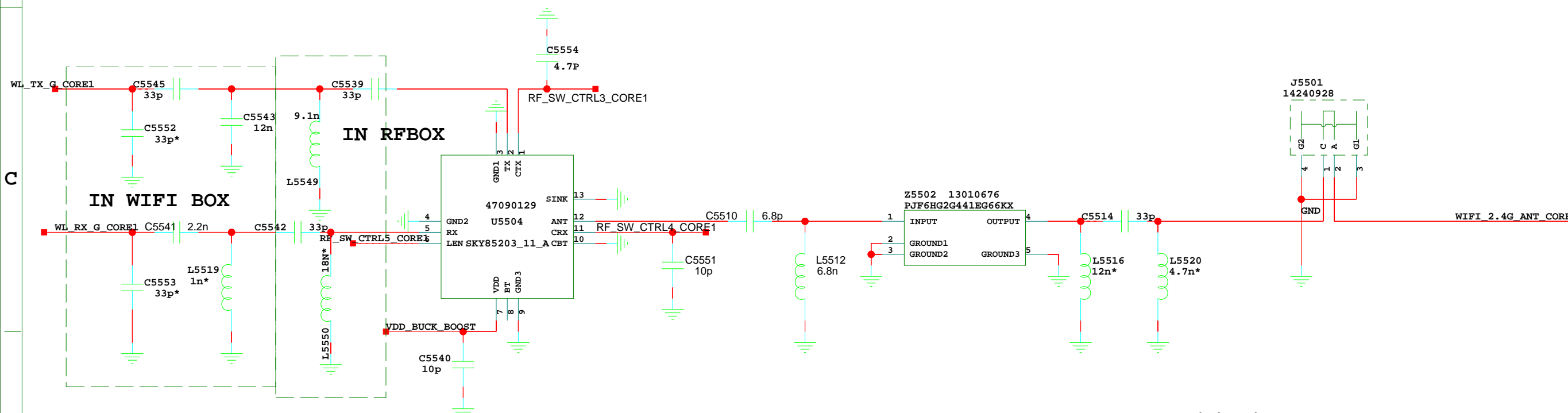


该文档是极速PDF编辑器生成，
如果想去掉该提示，请访问并下载：
<http://www.jisupdfeditor.com/>



1. L5505&C5509 In RF box

| | CRX | LEN | CTX |
|--------------|----------|----------|----------|
| | C1_CTRL8 | C1_CTRL7 | C1_CTRL6 |
| 5G Rx | 1 | 1 | 0 |
| 5G Rx Bypass | 1 | 0 | 0 |
| 5G Tx | 0 | 0 | 1 |



The type and specification of the components refer to the BOM

| | CBT | CTX | LEN | CRX |
|----------------|----------|----------|----------|-----|
| | C1_CTRL3 | C1_CTRL5 | C1_CTRL4 | |
| All off | 0 | 0 | 0 | 0 |
| 2.4G Rx | 0 | 0 | 1 | 1 |
| 2.4G Rx Bypass | 0 | 0 | 0 | 1 |
| 2.4G Tx | 0 | 1 | 0 | 0 |

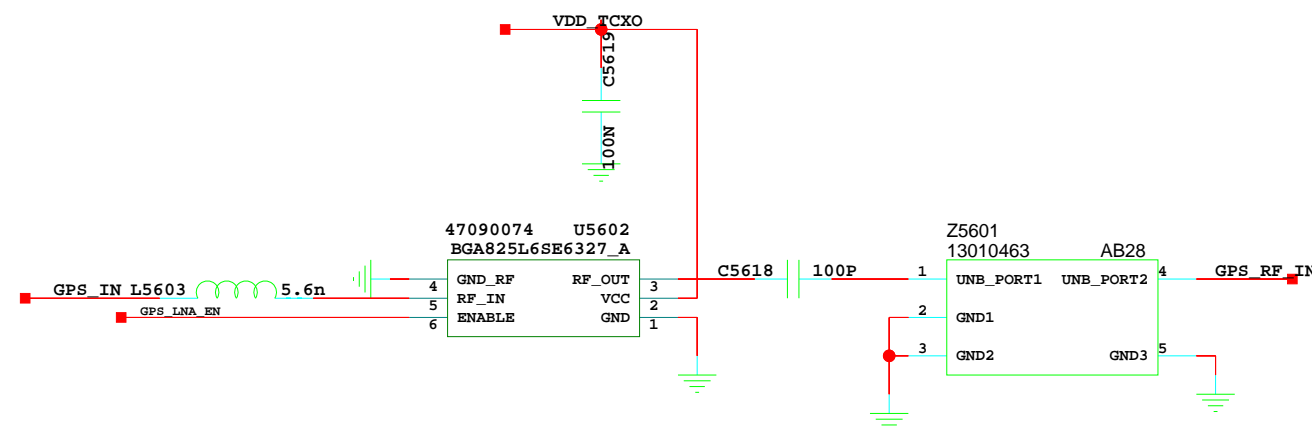
| | | | | |
|----------|--------|----------|-------------|----------------------|
| DESIGNED | HUAWEI | HL1CLTMC | NA | 2017-12-18 |
| REVIEWED | HUAWEI | | ECA NO | DATE |
| | | | HUAWEI | |
| | | VER | PART_NUMBER | SHEET 55 OF 60 |
| | | A | 03025BSN | HUAWEI TECH CO.,LTD. |

56. GPS



该文档是极速PDF编辑器生成，
如果想去掉该提示，请访问并下载：
<http://www.jisupdfeditor.com/>

I2C Address=1101001(0x69)



The type and specification of the components refer to the BOM

| | | | | | |
|----------|--------|----------|-------------|----------------------|------------|
| | | | | NA | 2017-12-18 |
| | | | | ECA NO | DATE |
| DESIGNED | HUAWEI | HL1CLTMC | | HUAWEI | |
| REVIEWED | HUAWEI | | | | |
| | | VER | PART_NUMBER | SHEET 56 OF 60 | |
| | | A | 03025BSN | HUAWEI TECH CO.,LTD. | |

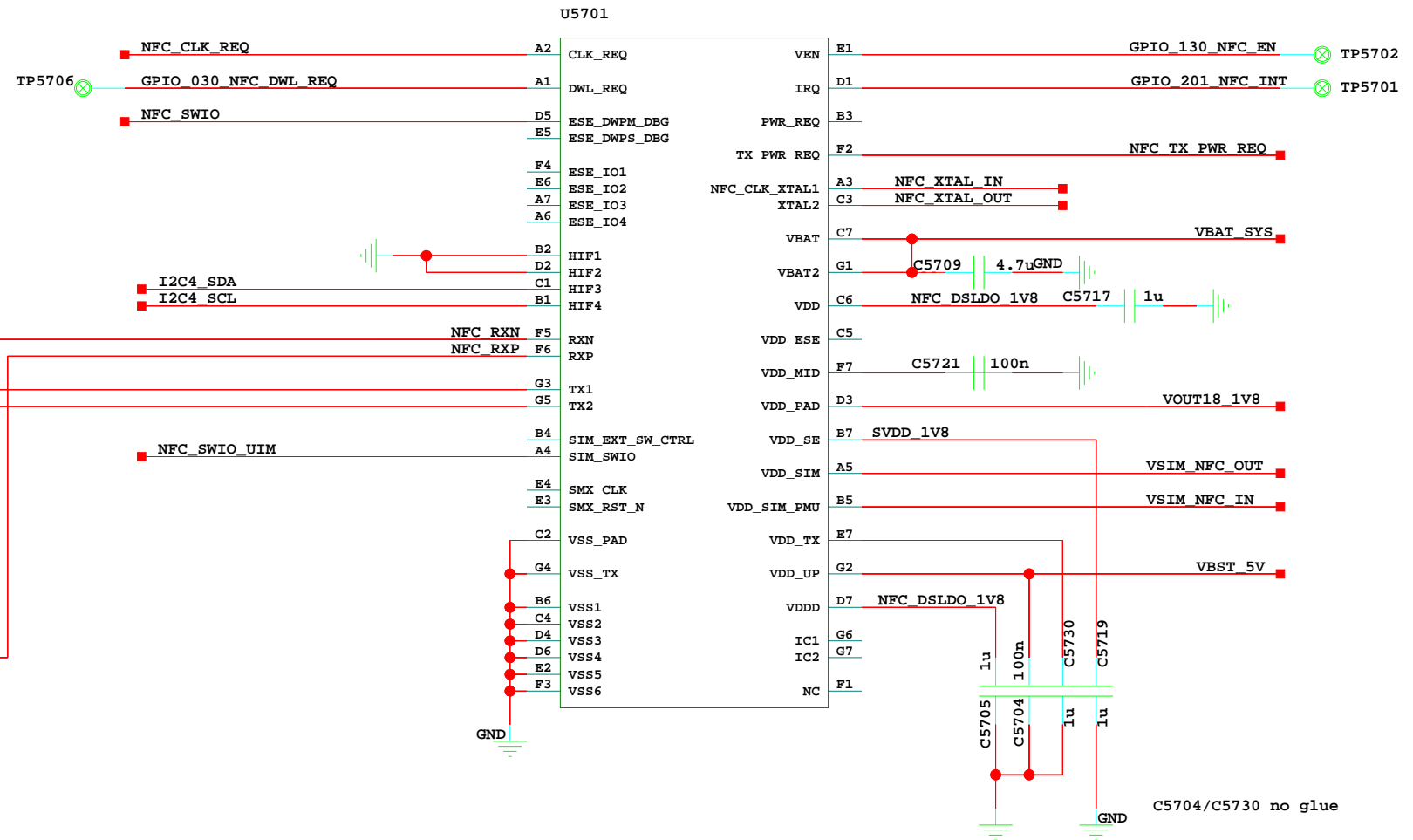
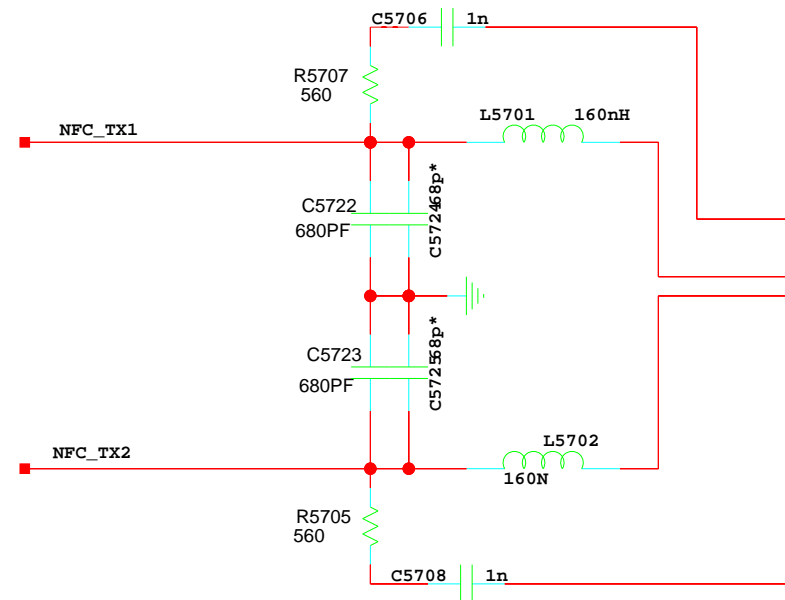
57.NFC

| | |
|-------------|------------------|
| PMU0_NFC_ON | NFC_SELECTED_SIM |
| 0 | SIM0 |
| 1 | SIM1 |



该文档是极速PDF编辑器生成，
如果想去掉该提示，请访问并下载：
<http://www.jisupdfeditor.com/>

I2C address is 0x28

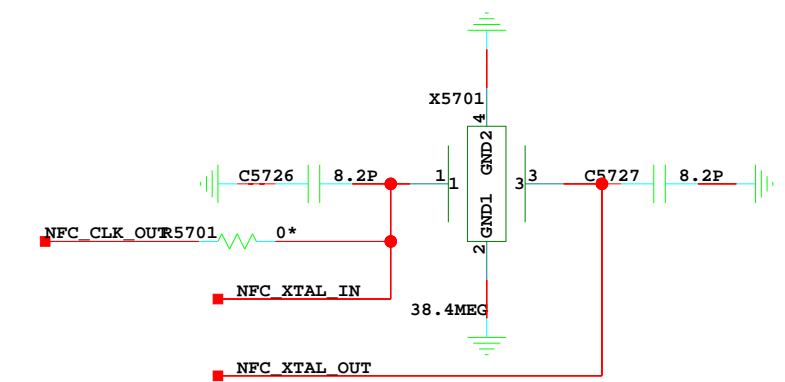
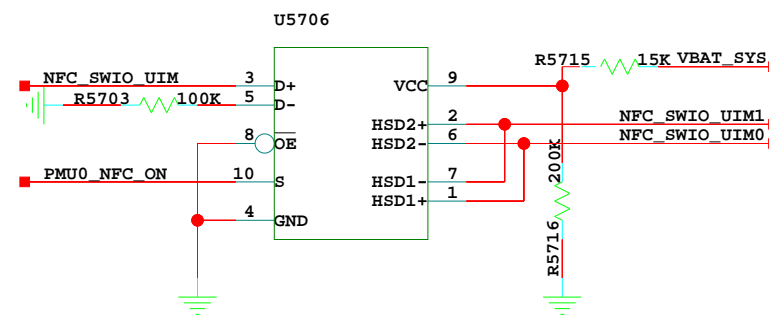
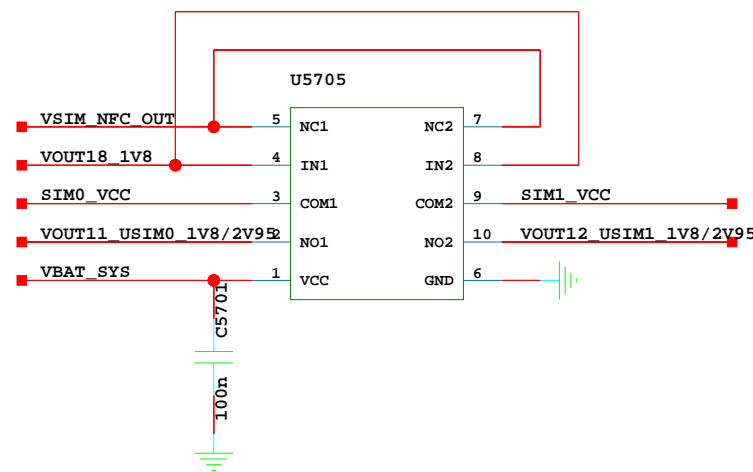
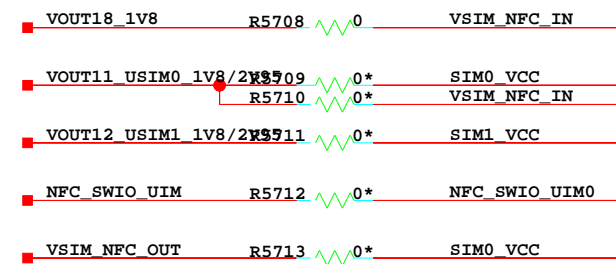


Default bom for NFC dual sim
Bom for NFC single SIM change

SMT:R5710/R5711/R5712/R5713
DNI:U5705/U5706/C5701/R5703/R5708

Bom for none NFC change

SMT:R5709/R5711
DNI:All the others



The type and specification of the components refer to the BOM

| | | | |
|----------|--------|----------|----------------------|
| DESIGNED | HUAWEI | HL1CLTMC | HUAWEI |
| REVIEWED | HUAWEI | VER | PART_NUMBER |
| | | A | 03025BSN |
| | | | SHEET 57 OF 60 |
| | | | HUAWEI TECH CO.,LTD. |

58. GPS/WIFI ANT



该文档是极速PDF编辑器生成，
如果想去掉该提示，请访问并下载：
<http://www.jisupdfeditor.com/>

A

A

B

B

C

C

D

D

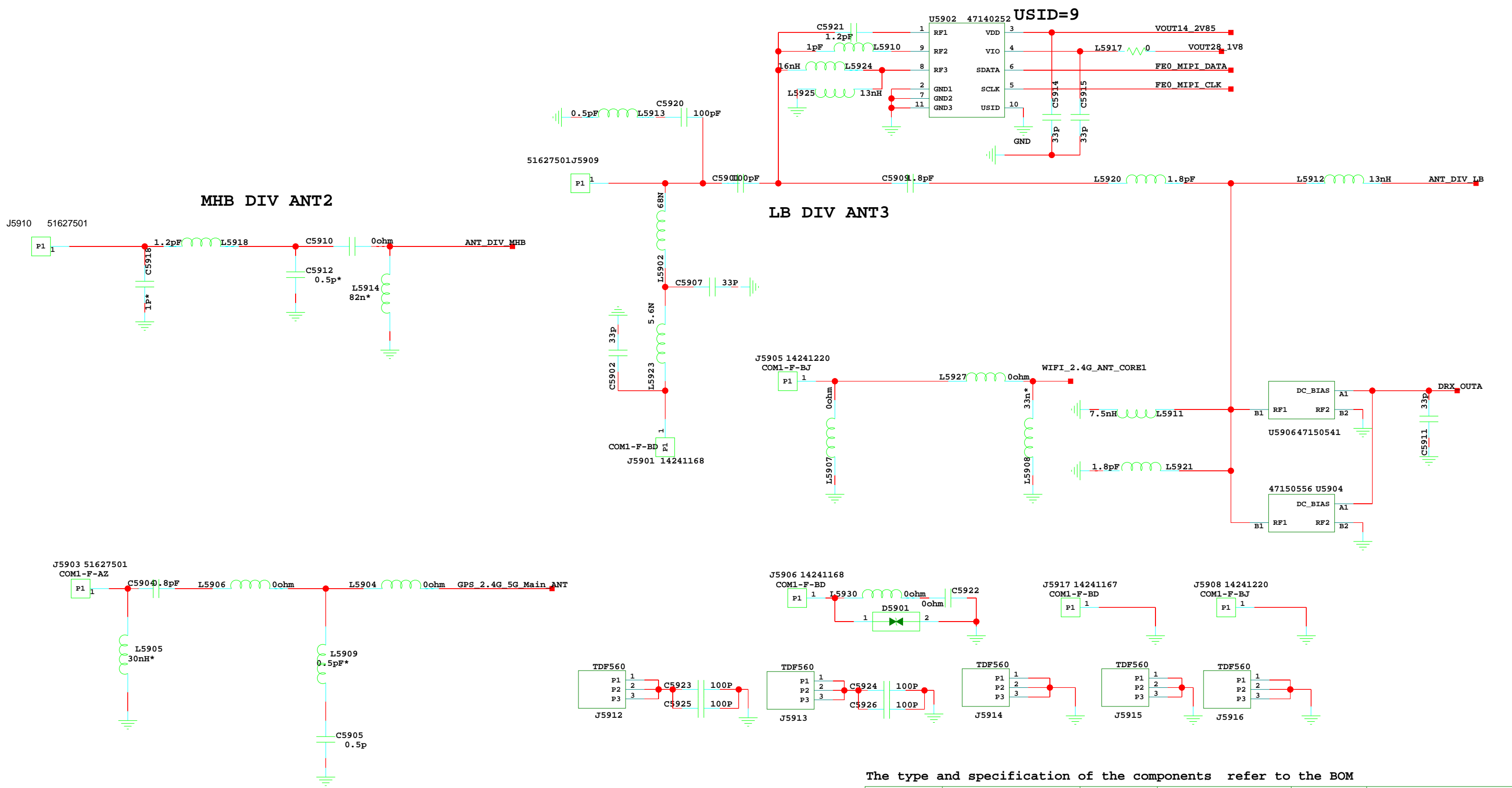
The type and specification of the components refer to the BOM

| | | | | | |
|----------|--------|----------|-------------|----------------------|------------|
| | | | | NA | 2017-12-18 |
| | | | | ECA NO | DATE |
| DESIGNED | HUAWEI | HL1CLTMC | | HUAWEI | |
| REVIEWED | HUAWEI | | | | |
| | | VER | PART_NUMBER | SHEET 58 OF 60 | |
| | | A | 03025BSN | HUAWEI TECH CO.,LTD. | |

59.UP ANT



该文档是极速PDF编辑器生成，
如果想去掉该提示，请访问并下载：
<http://www.jisupdfeditor.com/>



GPS /WIFI CORE0 ANT

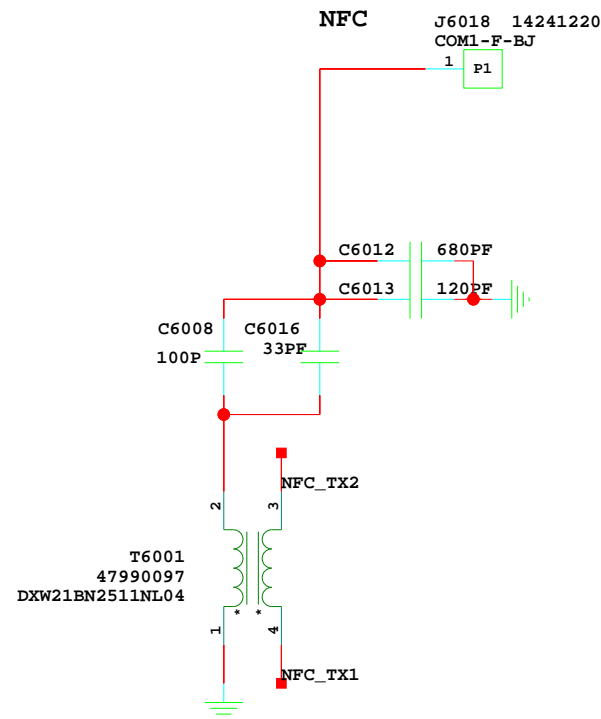
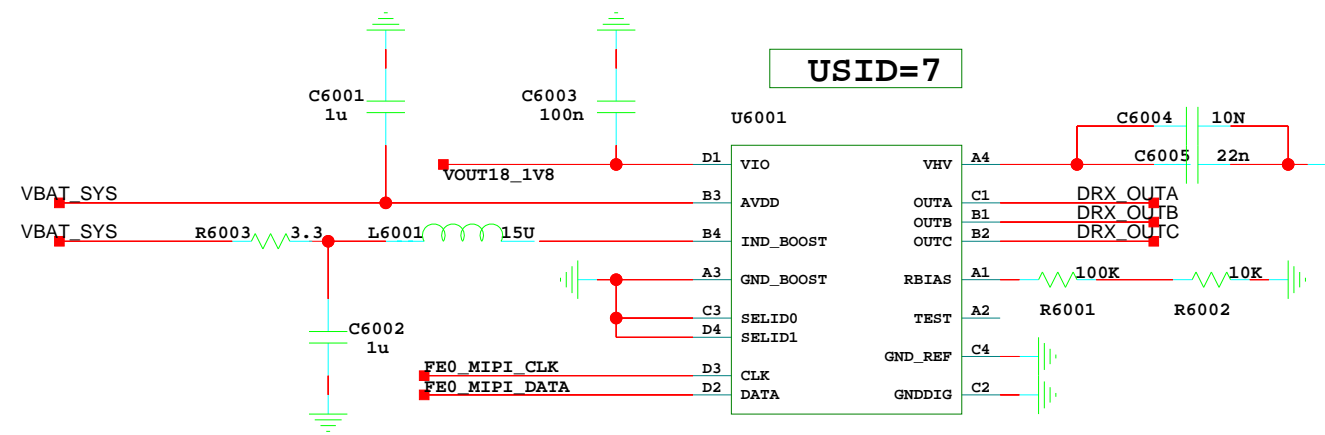
The type and specification of the components refer to the BOM

| | | | | | |
|----------|--------|----------|-------------|----------------------|------------|
| | | | | NA | 2017-12-18 |
| | | | | ECA NO | DATE |
| DESIGNED | HUAWEI | HL1CLTMC | | HUAWEI | |
| REVIEWED | HUAWEI | | | | |
| | | VER | PART_NUMBER | SHEET 59 OF 60 | |
| | | A | 03025BSN | HUAWEI TECH CO.,LTD. | |

60. Antenna Tunner



该文档是极速PDF编辑器生成，
如果想去掉该提示，请访问并下载：
<http://www.jisupdfeditor.com/>



The type and specification of the components refer to the BOM

| | | | | | |
|----------|--------|----------|-------------|----------------------|------------|
| | | | | NA | 2017-12-18 |
| | | | | ECA NO | DATE |
| DESIGNED | HUAWEI | HL1CLTMC | | HUAWEI | |
| REVIEWED | HUAWEI | | | | |
| | | VER | PART_NUMBER | SHEET 60 OF 60 | |
| | | A | 03025BSN | HUAWEI TECH CO.,LTD. | |