

Baseband Schematic

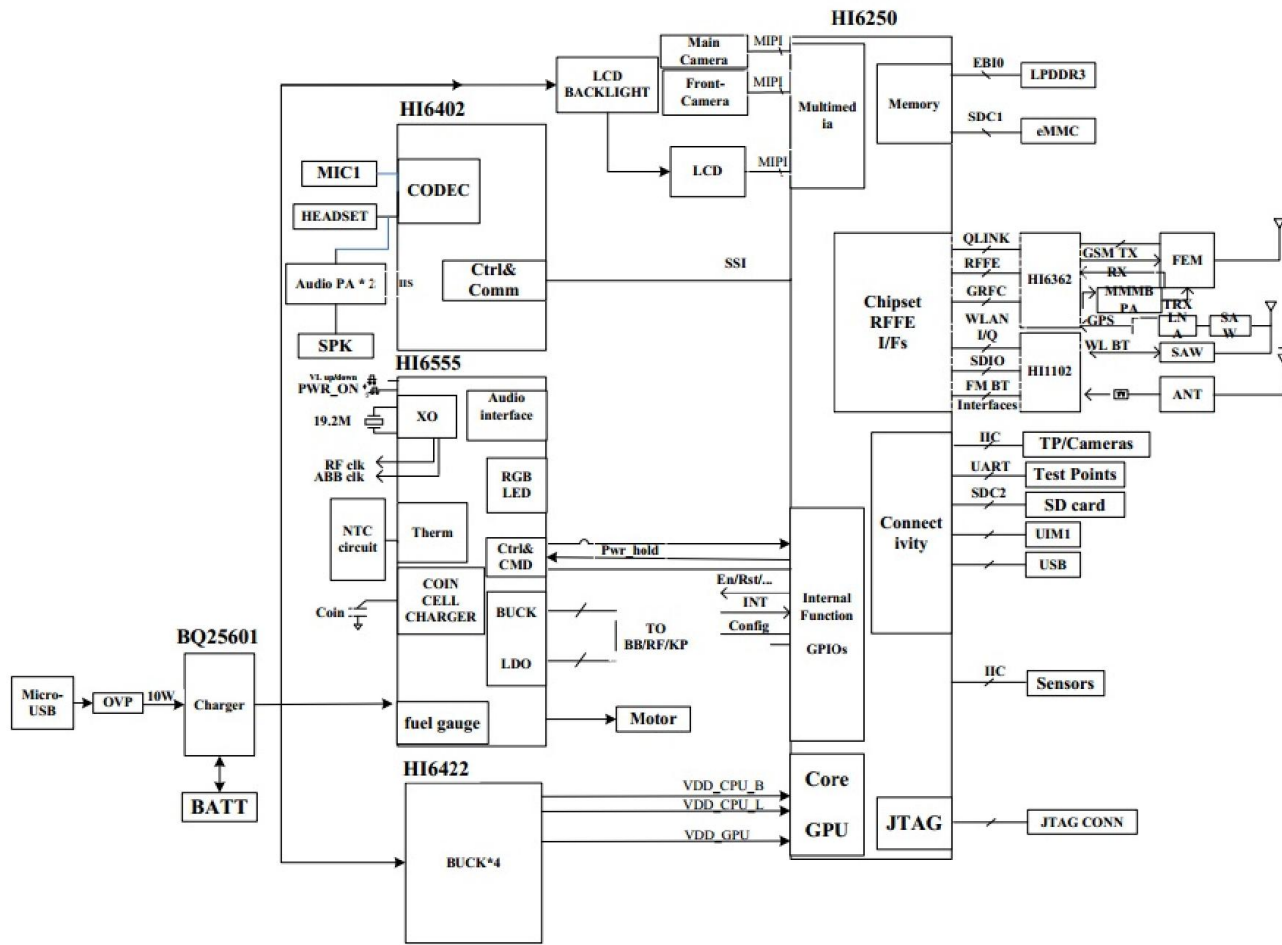
1. REVISION HISTORY
2. Block Diagramm
3. Hi6250 PWR1
4. Hi6250 PWR2
5. Hi6250 PWR3
6. Hi6250 HS&DDR
7. Hi6250 GPIO
8. Hi6250 RF
9. Hi6250 GND&NC
10. Hi6555 LDO
11. Hi6555 BUCK&CODEC
12. Hi6555 MISC
13. Hi6422 BUCK
14. MEMORY (EMCP)
15. RESERVED
16. BQ25601 Charge
17. Delete
18. Delete
19. Delete
20. Delete
21. Delete
22. AUDIO PA
23. AUDIO MIC & Handset

24. RESERVED
25. Sensor
26. LCD/CTP
27. Camera
28. MISC (Keypad/LED/indicator)
29. SIM/TF card
30. TP/GND/Shielding/JTAG
31. RESERVED
32. Connector (USB/VBATT)

MODEM Schematic

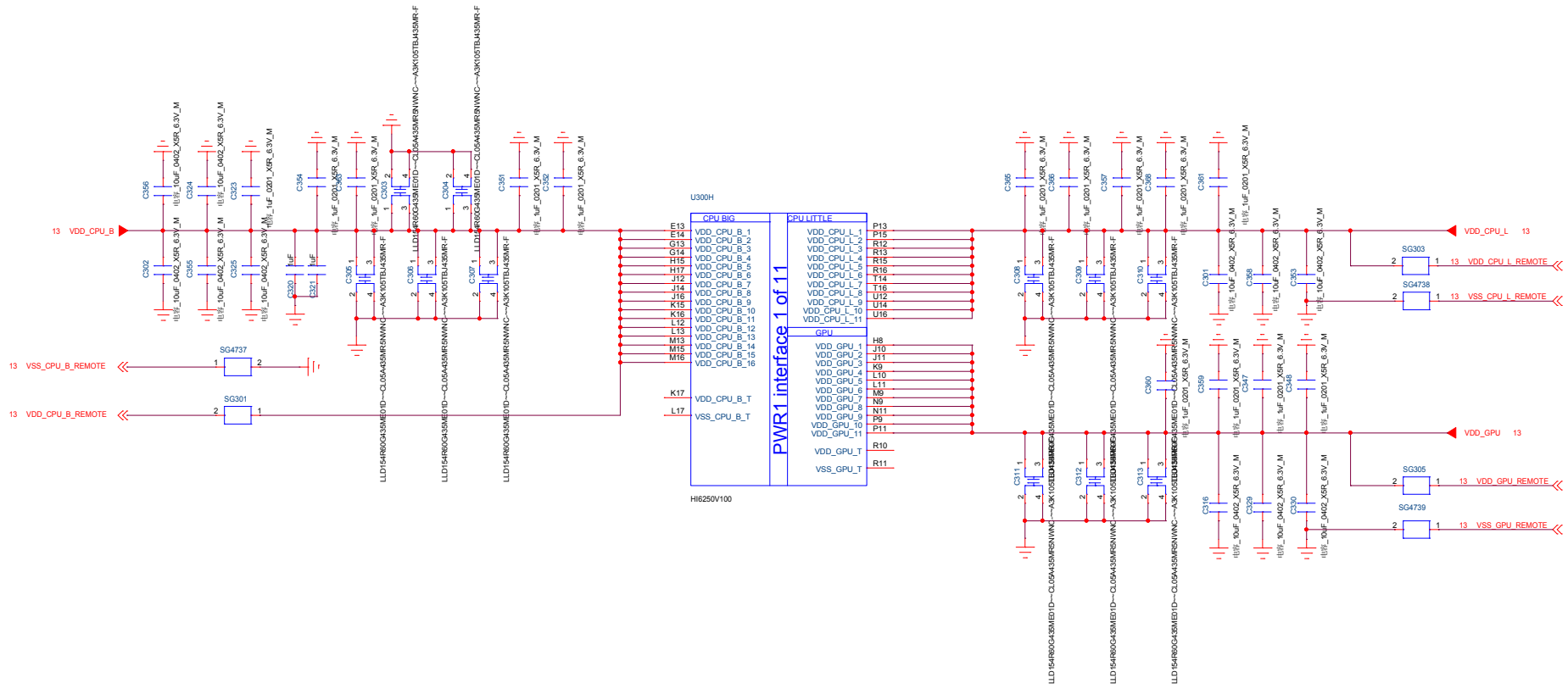
33. PRIMARY_ANTENNA
34. PA & PA THERMAL
35. TRX_LB
36. TRX_MHB
37. DIVERSITY_ANT
38. DRX_MB_HB
39. DRX_LB
40. HI6362
41. RESERVED
42. RESERVED
43. APT
44. WIFI_2.4G_5G & BT
45. GPS
46. HI1102 BB
47. HI1102 POWER
48. SAR SENSOR
49. DTV

Title		
<Title>		
Size	Document Number	Rev
A	<Doc>	<RevCode>
Date:	Friday, June 08, 2018	Sheet 1 of 47

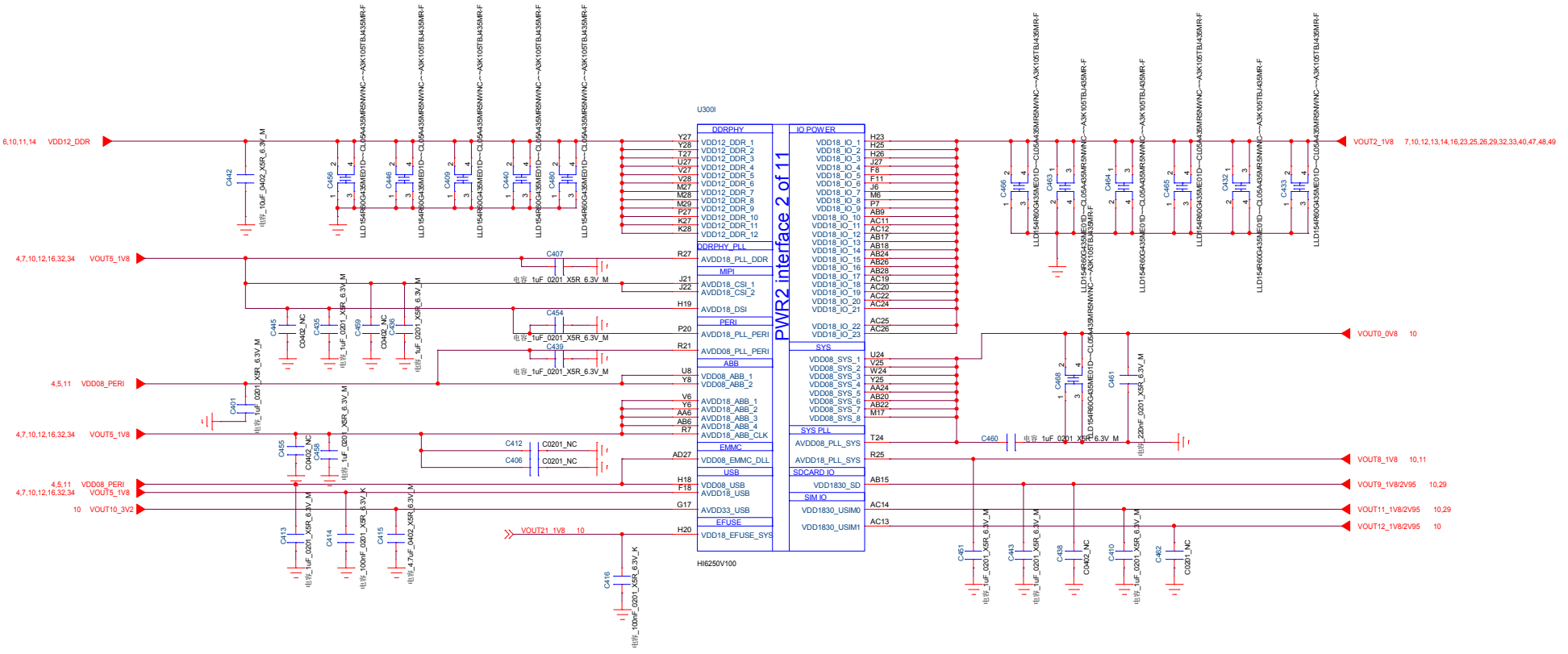


Title		
<Title>		
Size	Document Number	Rev
B	<Doc>	<RevCode>
Date:	Friday, June 08, 2018	Sheet 2 of 47

03.Hi6250 PWR1

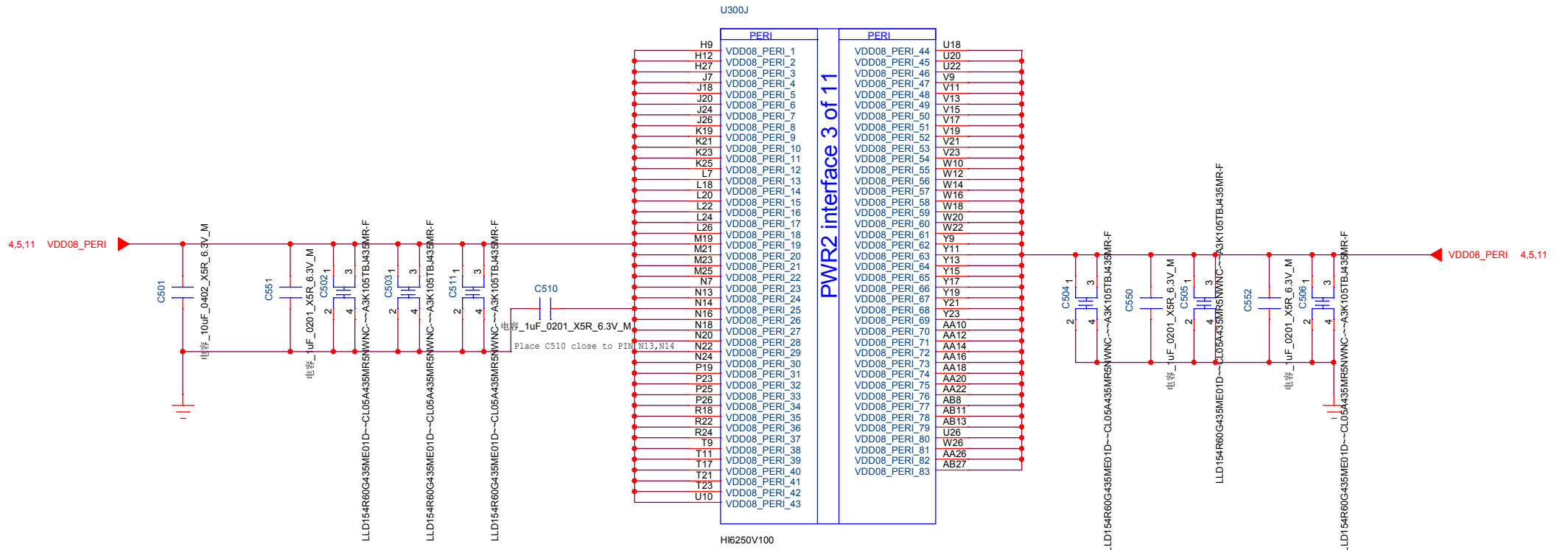


04.Hi6250 PWR2



Title	<Title>		Rev	<Rev>
Size	Document Number			<Doc>
Date	Friday, June 08, 2018	Sheet	4	of 47

05.Hi6250 PWR3



Title		
<Title>		
Size	Document Number	Rev
B	<Doc>	<RevCode>
Date:	Friday, June 08, 2018	Sheet 5 of 47